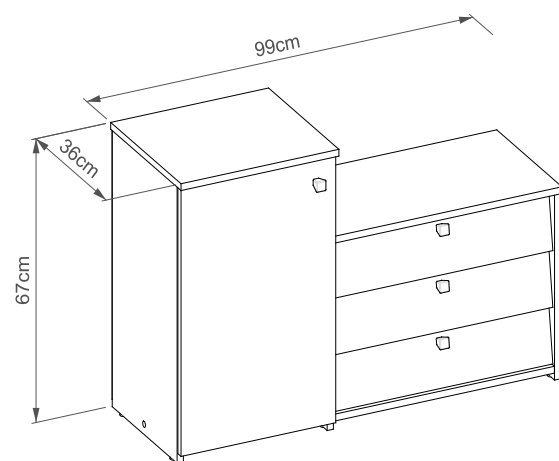
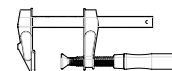
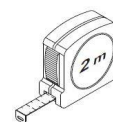
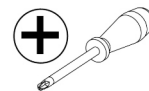
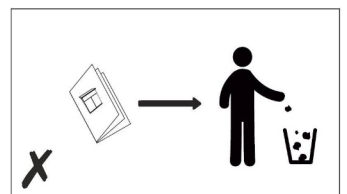
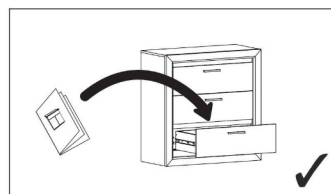
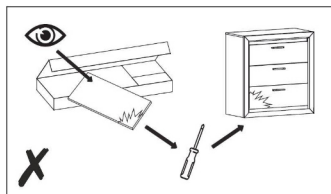
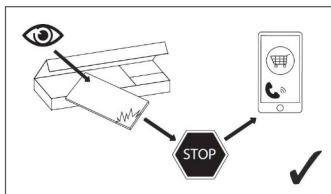
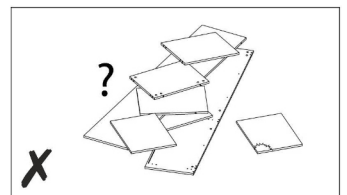
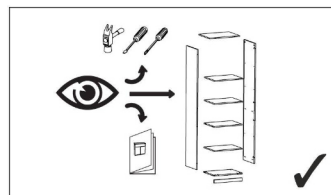
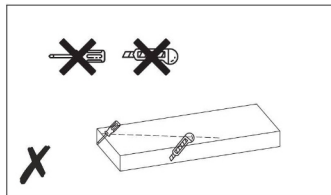
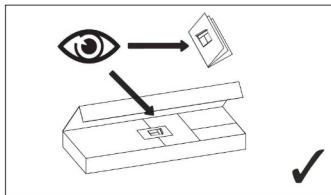
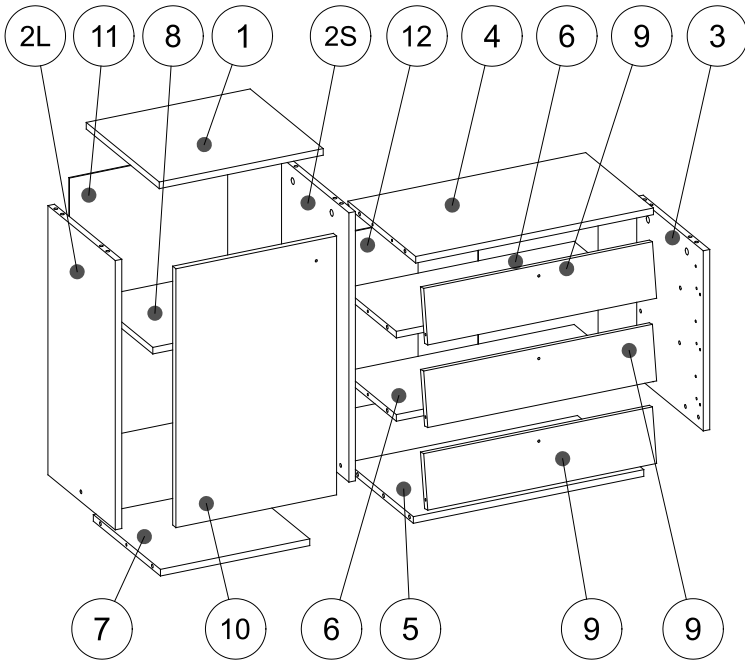


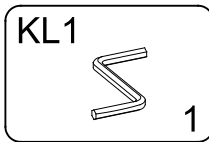
~90min



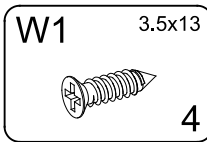




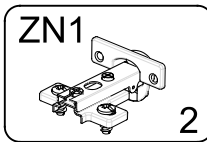
| | | |
|----|--------------|---|
| 1 | 404x360x16mm | 1 |
| 2L | 650x332x16mm | 1 |
| 2S | 650x332x16mm | 1 |
| 3 | 435x328x16mm | 1 |
| 4 | 586x334x16mm | 1 |
| 5 | 568x327x16mm | 1 |
| 6 | 568x260x16mm | 2 |
| 7 | 368x331x16mm | 1 |
| 8 | 367x300x16mm | 1 |
| 9 | 564x130x16mm | 3 |
| 10 | 625x396x16mm | 1 |
| 11 | 642x390x3mm | 1 |
| 12 | 427x295x3mm | 2 |



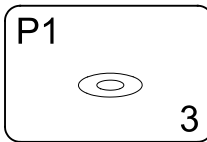
1



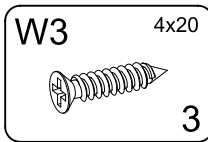
4



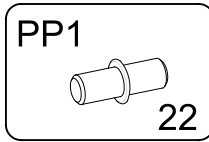
2



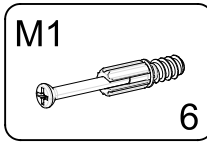
3



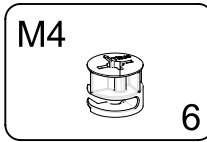
3



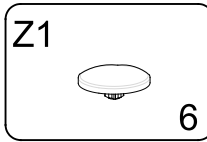
22



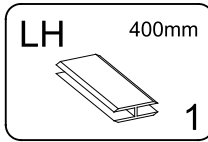
6



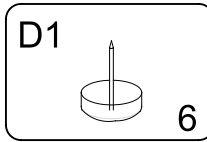
6



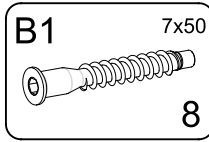
6



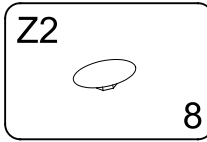
1



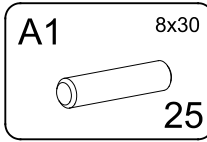
6



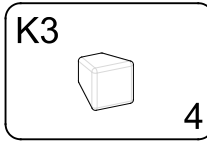
8



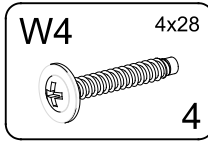
8



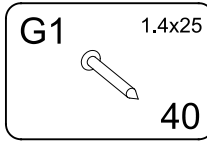
25



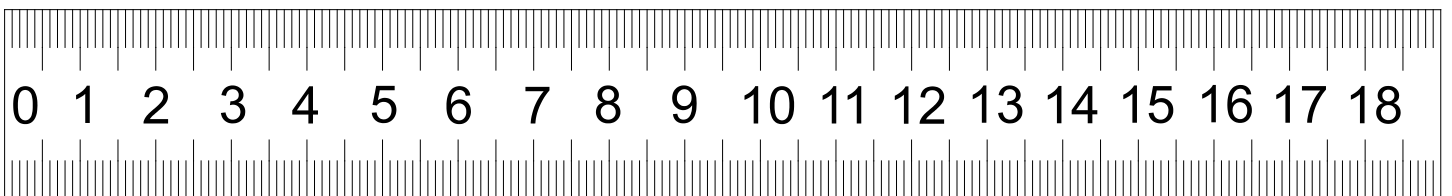
4



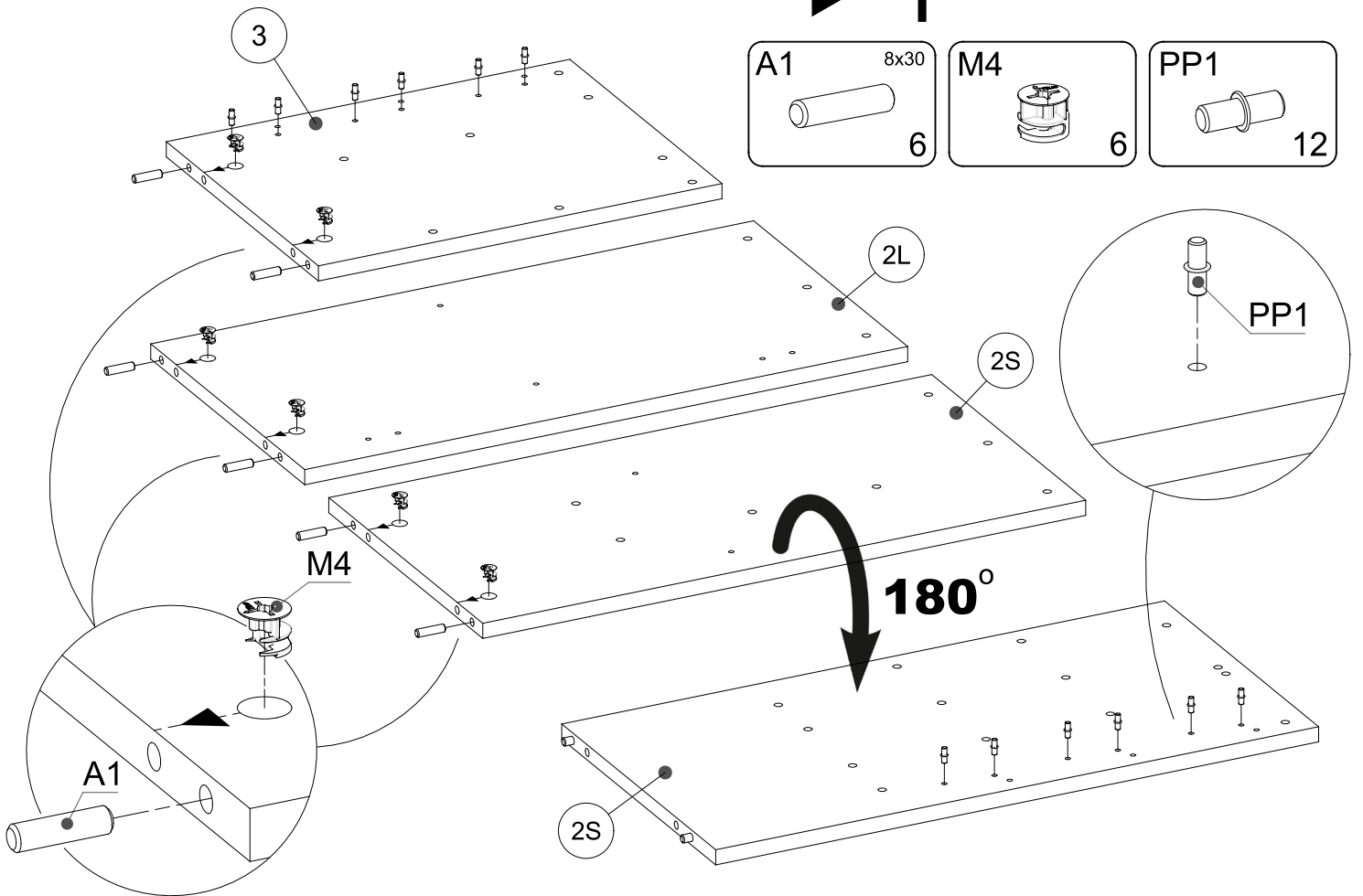
4



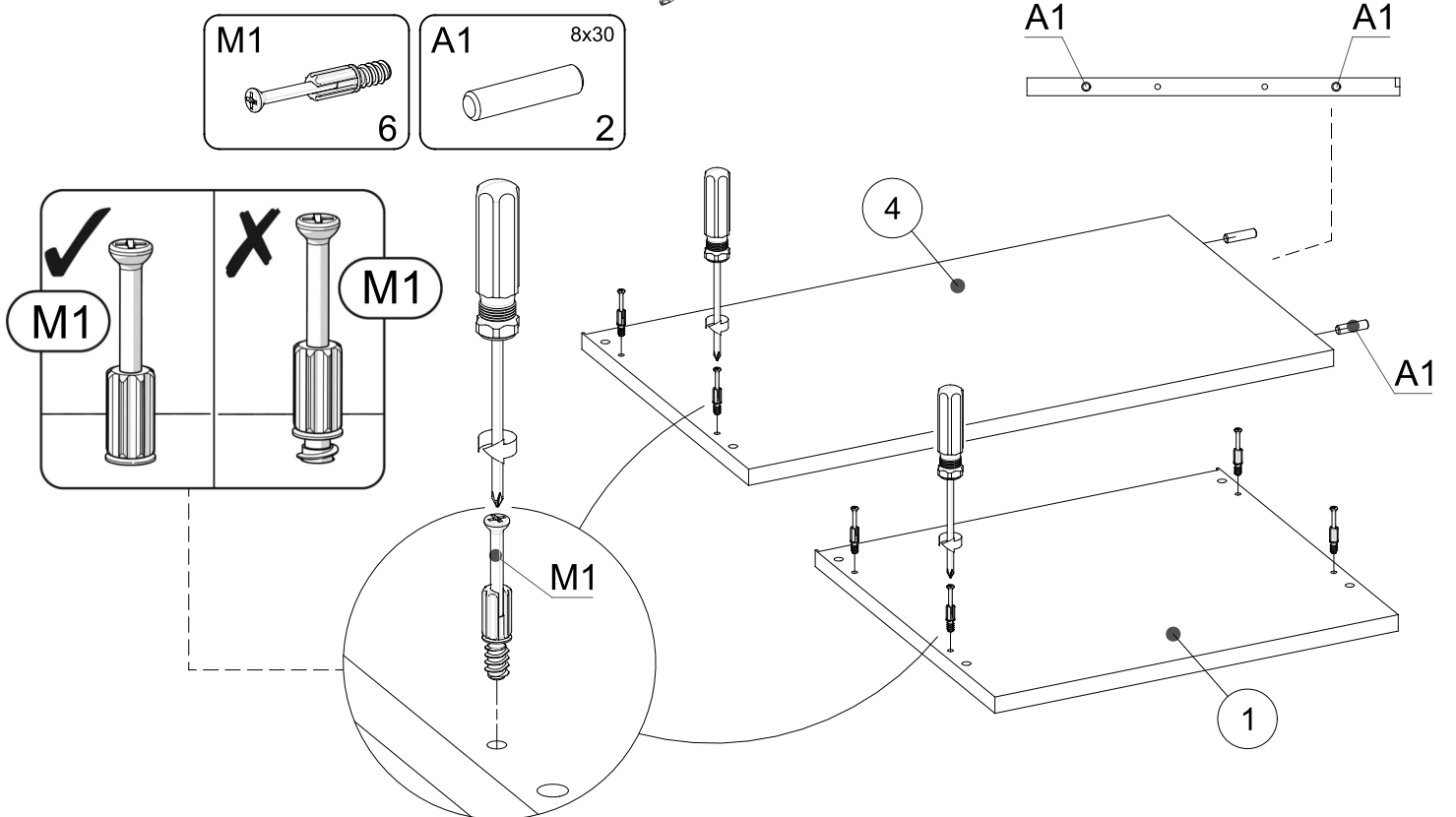
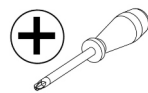
40



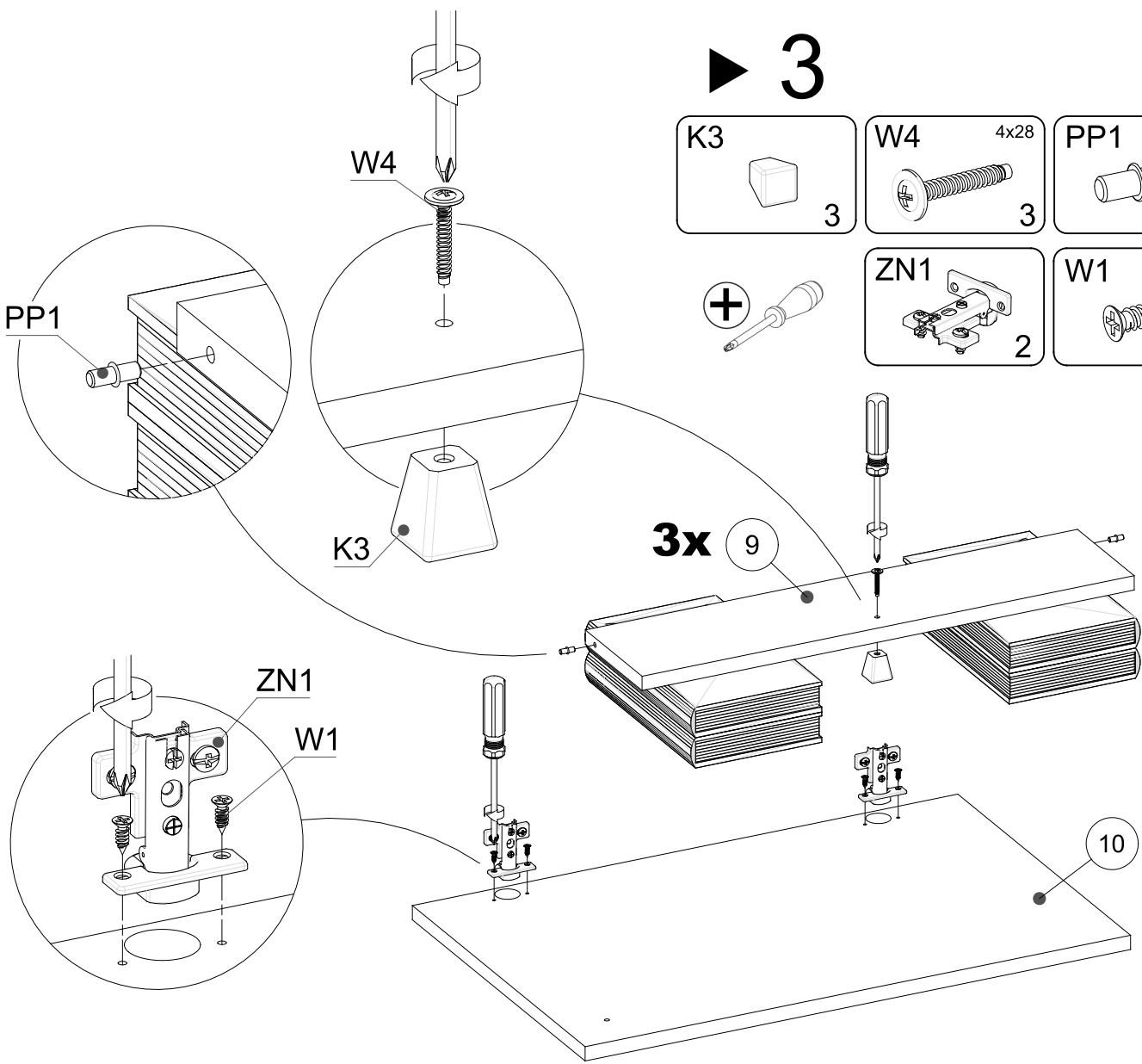
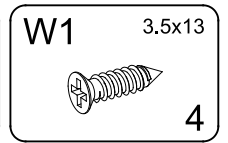
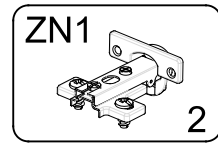
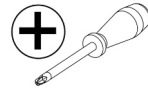
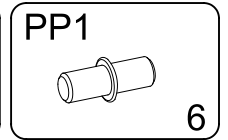
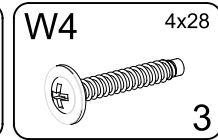
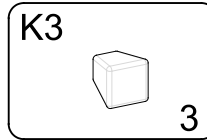
▶ 1



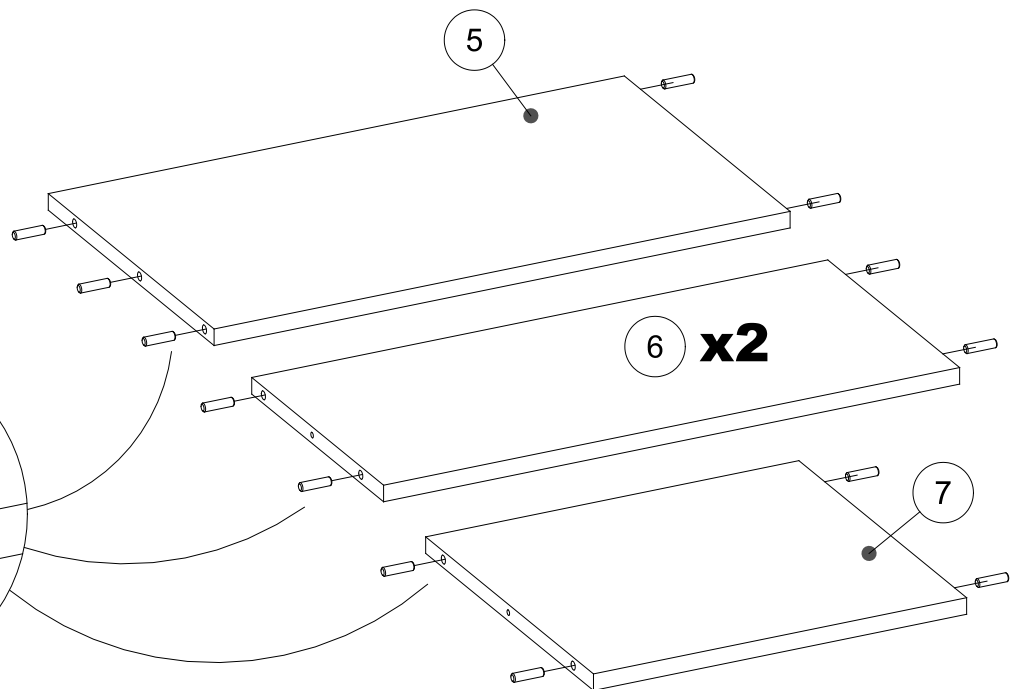
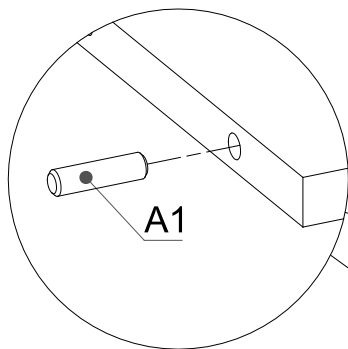
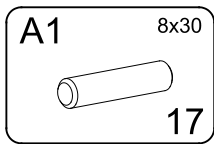
▶ 2



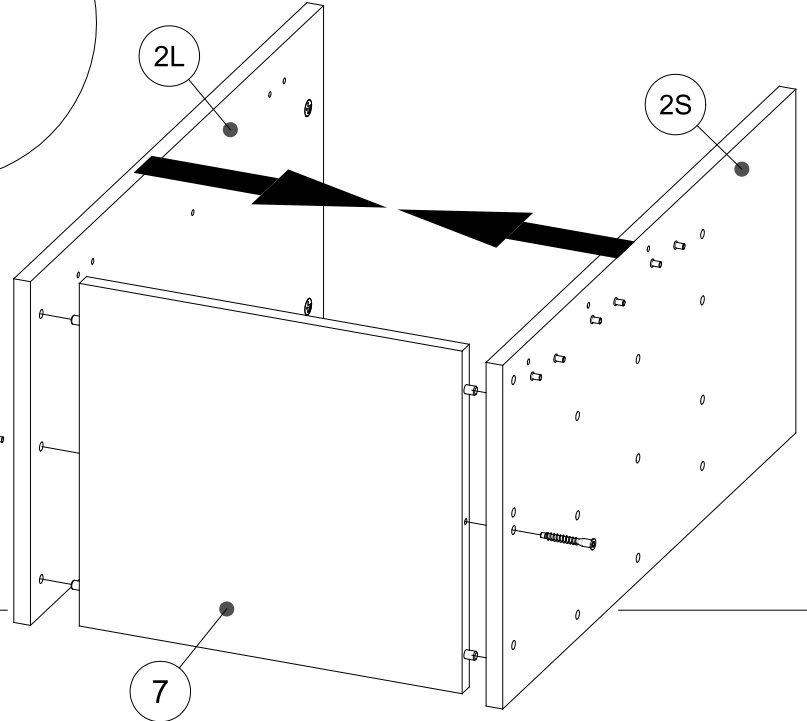
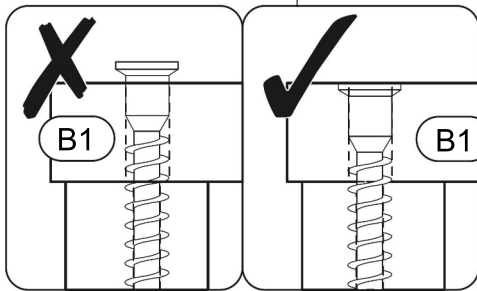
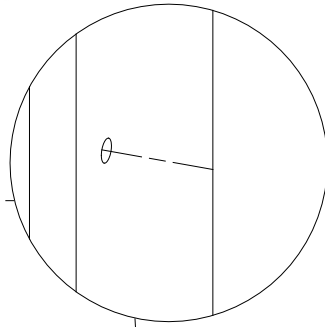
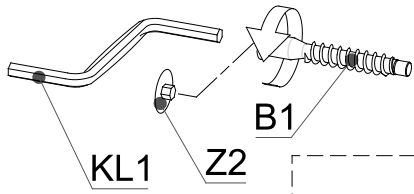
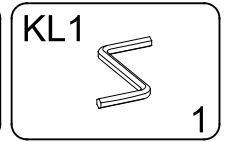
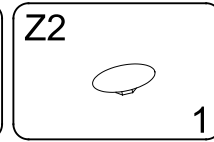
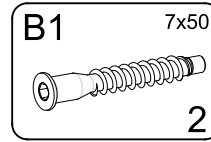
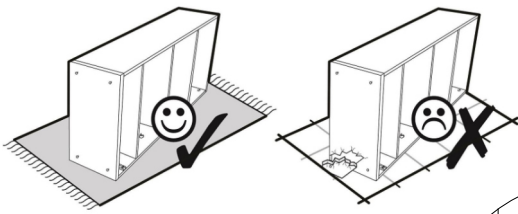
▶ 3



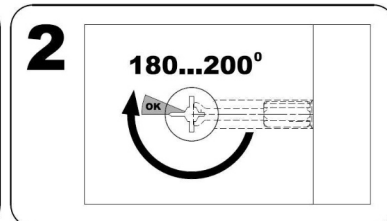
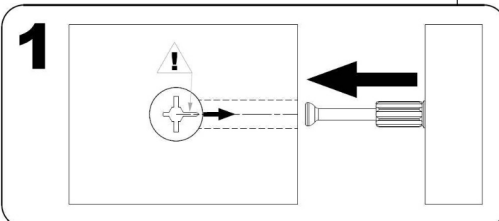
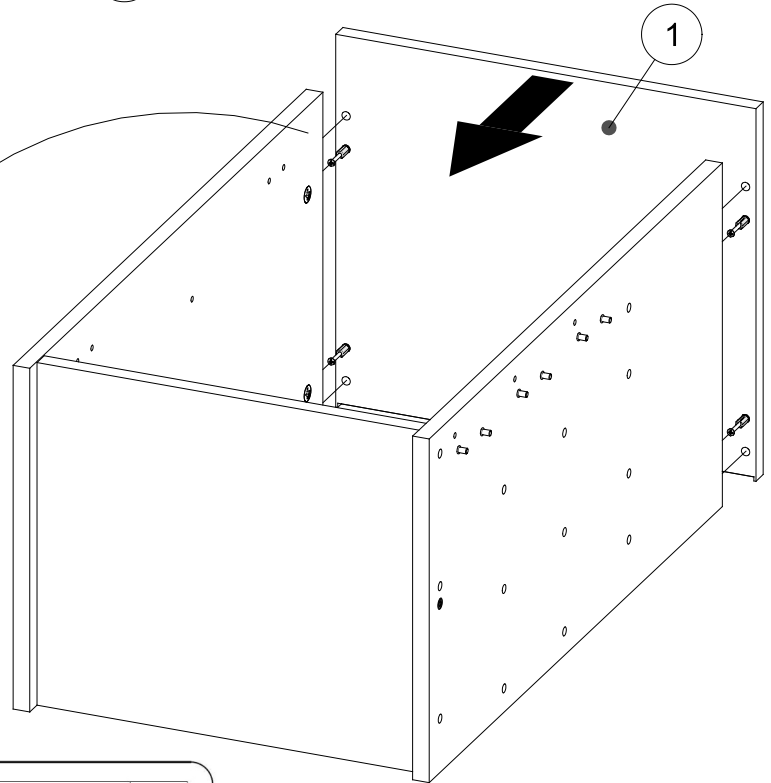
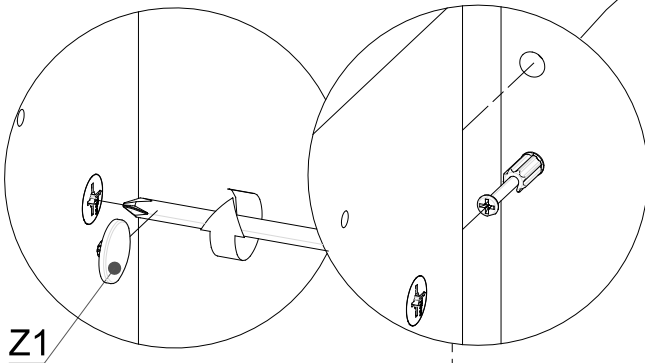
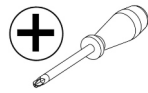
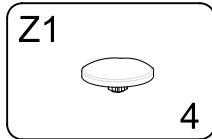
▶ 4

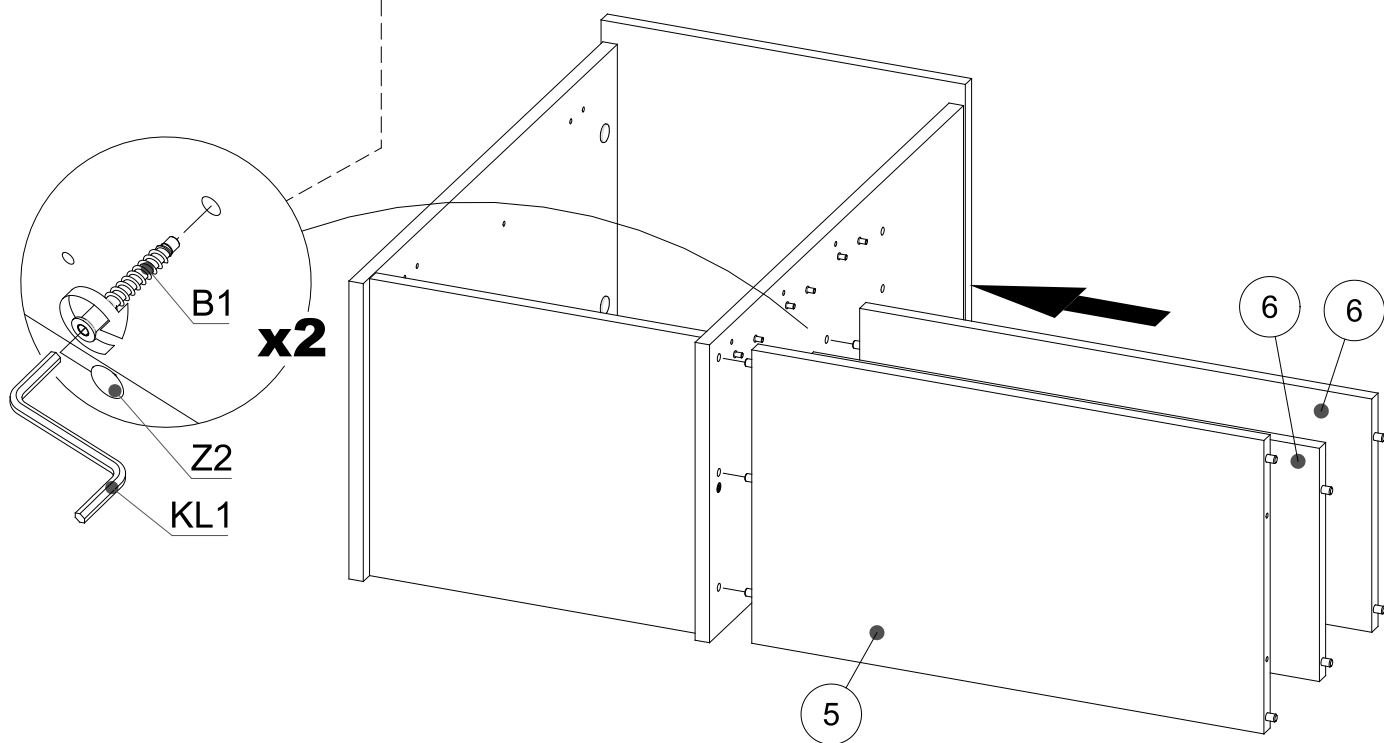
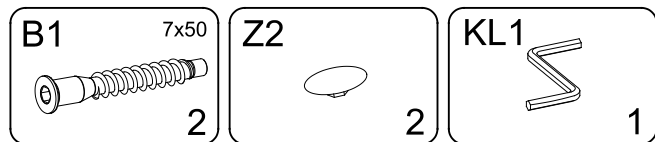
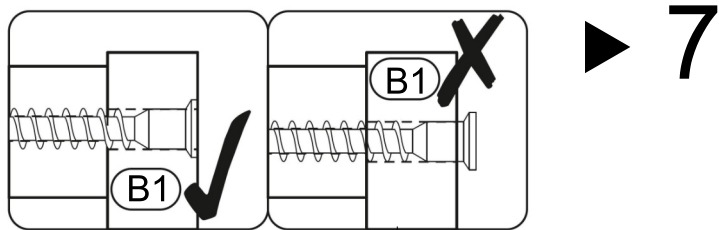


▶ 5

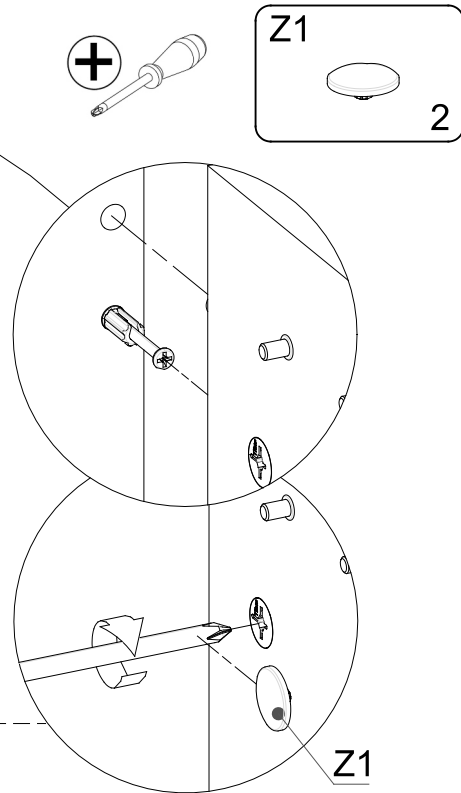
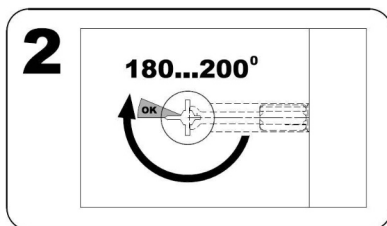
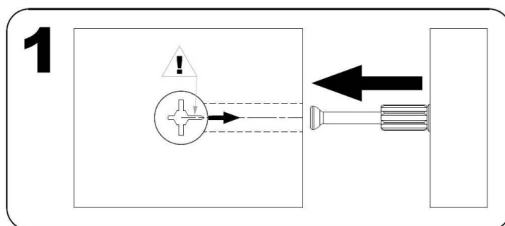
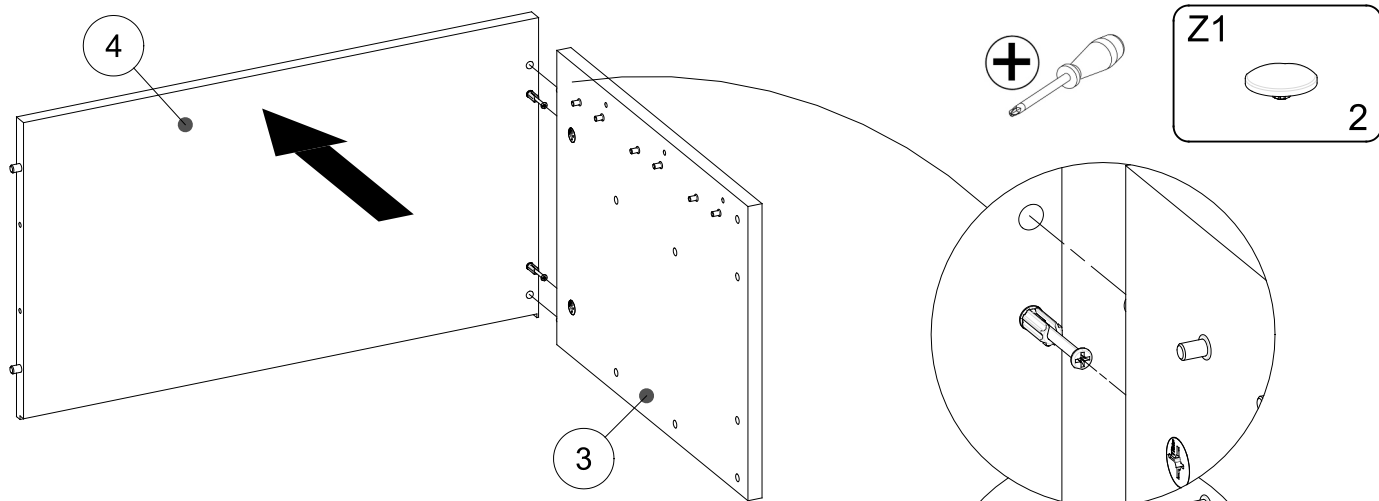


▶ 6

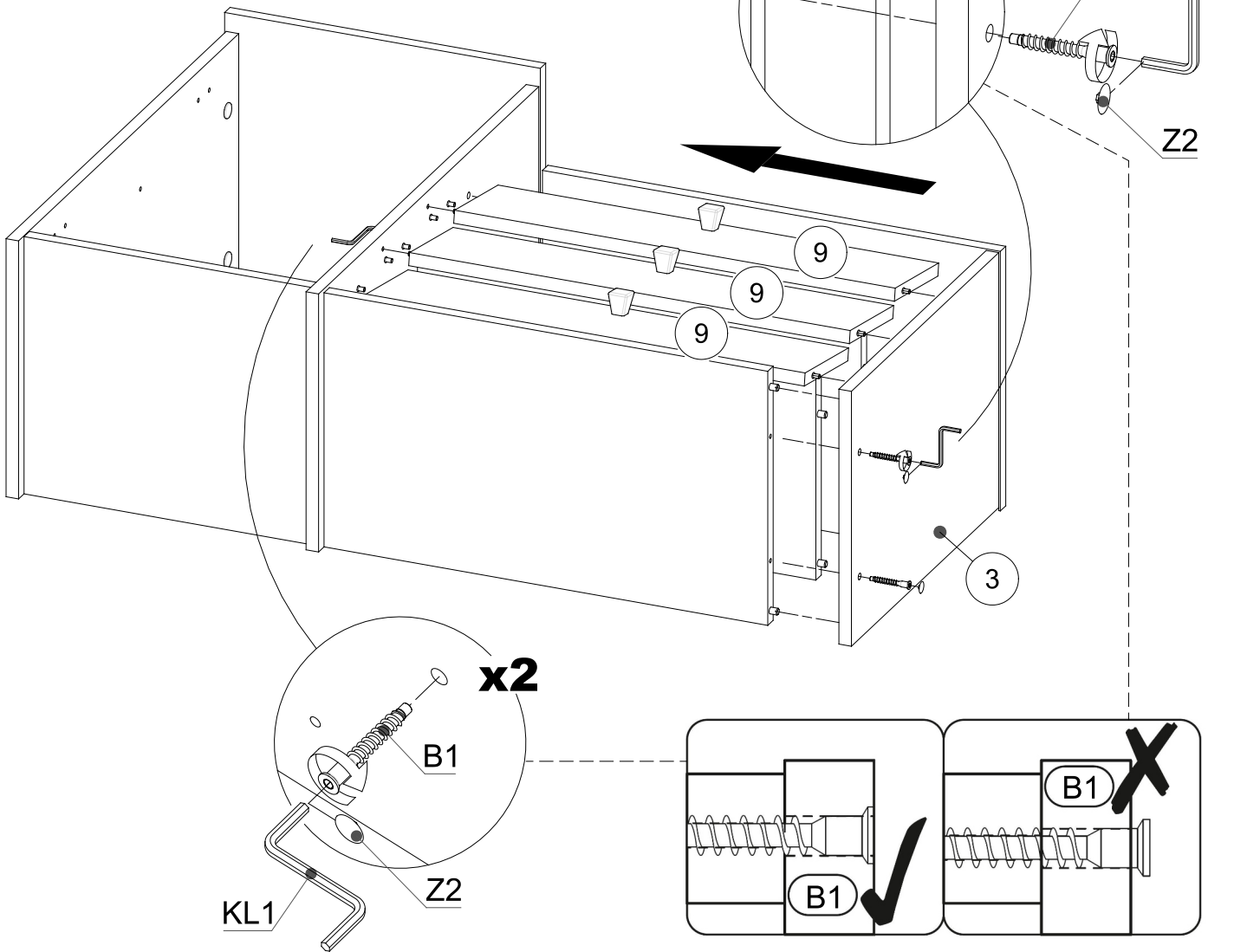
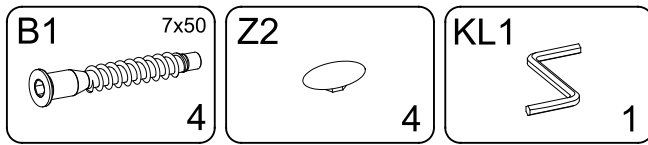




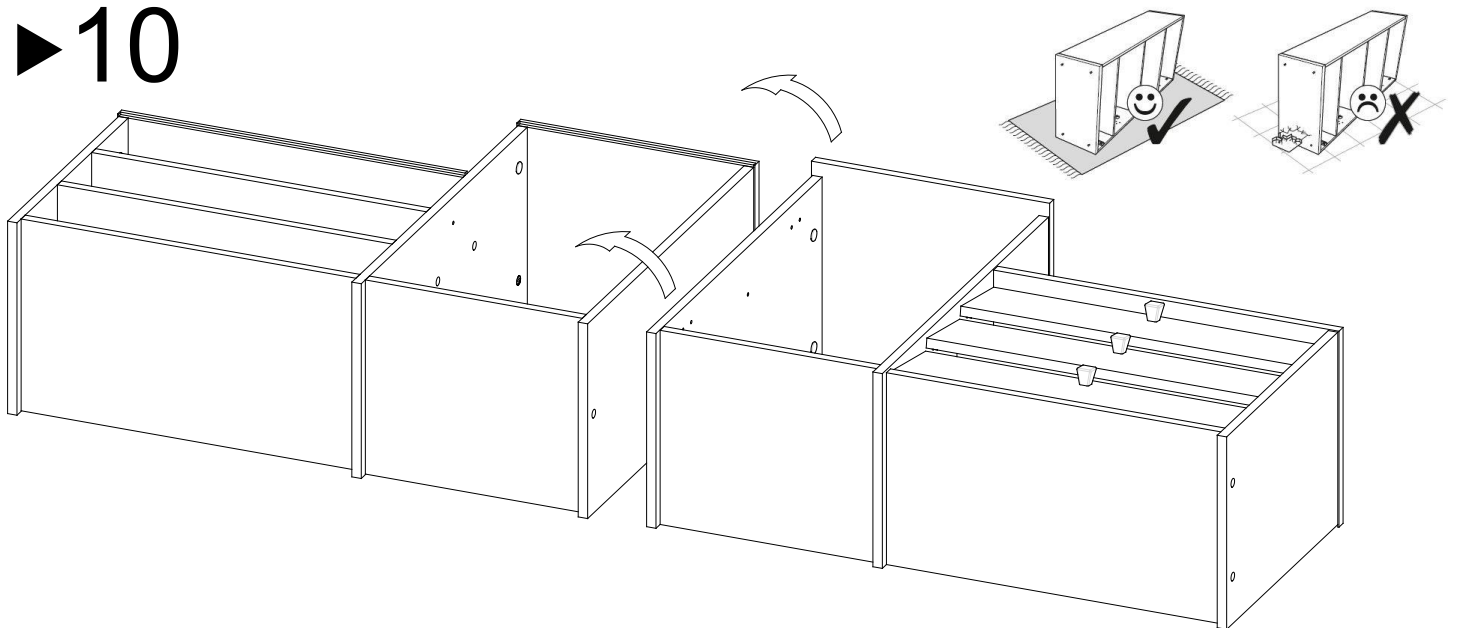
▶ 8



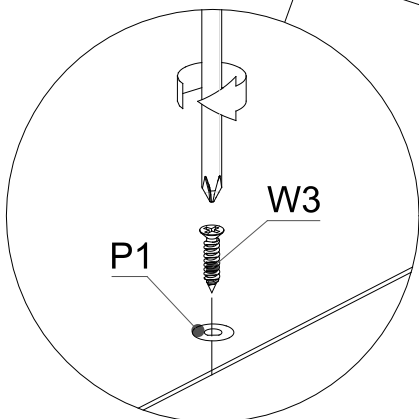
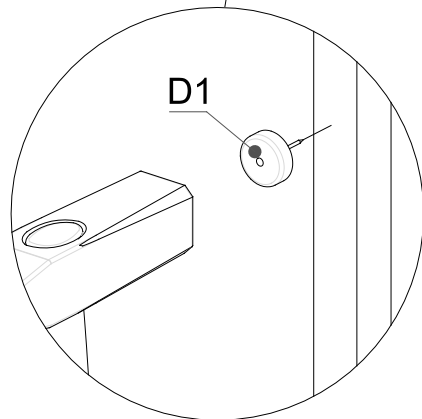
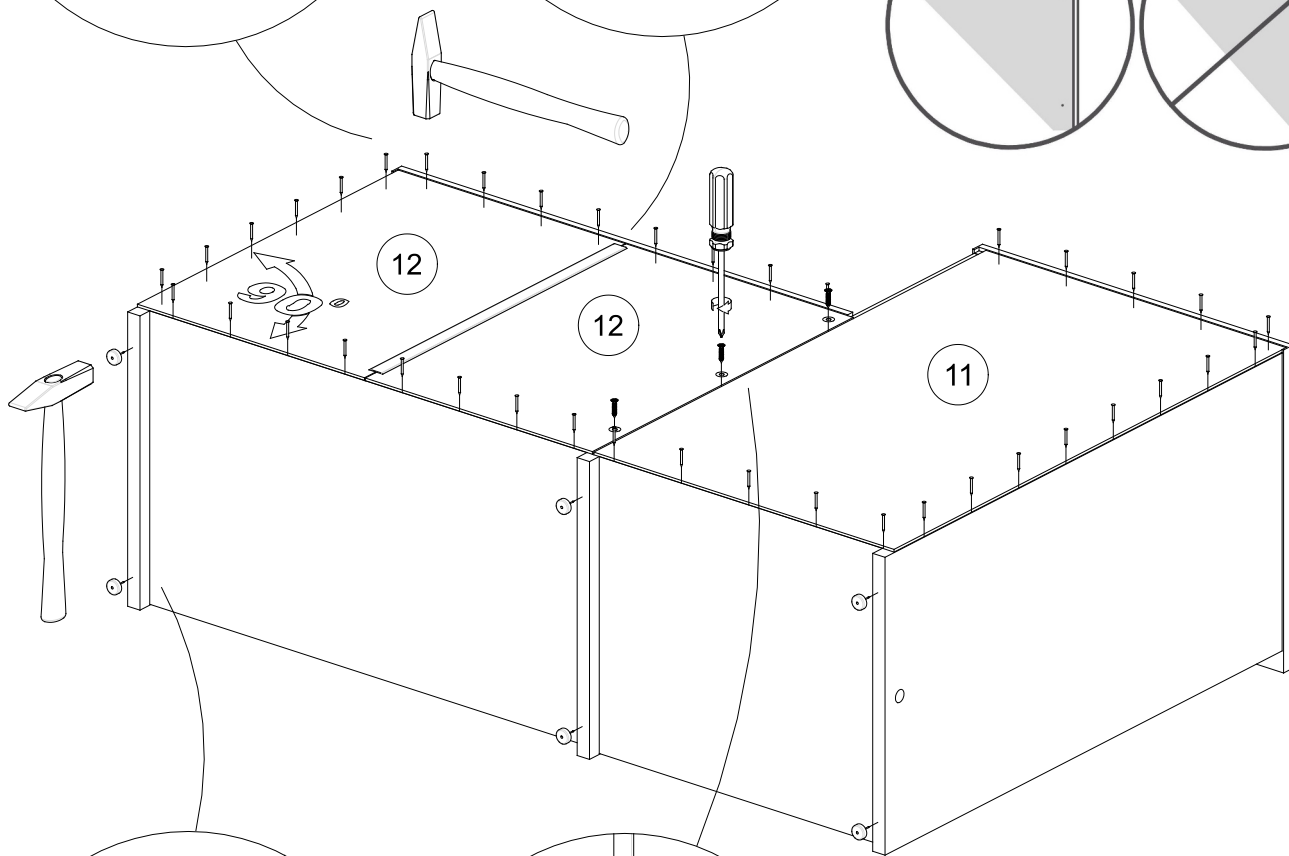
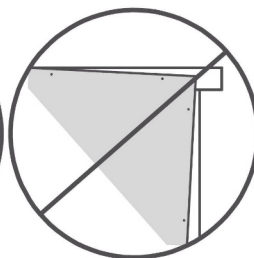
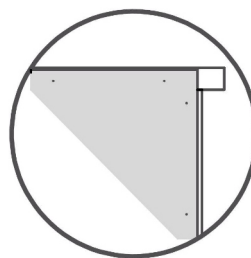
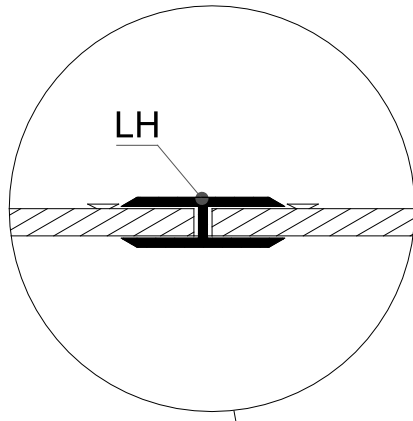
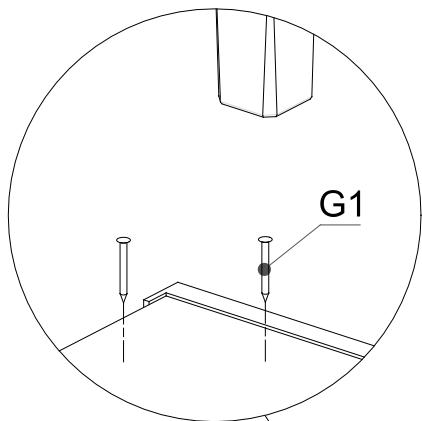
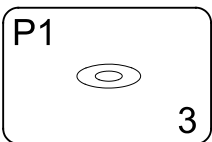
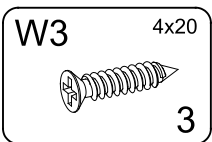
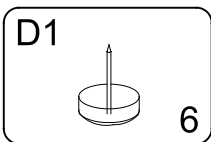
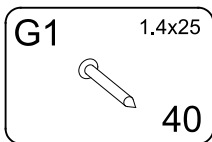
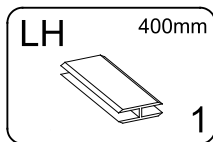
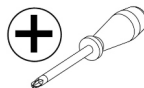
▶ 9



▶ 10



▶ 11



▶ 12

