

+8x30mm
A
16

+15/12mm	L=20mm
C	D2
12	12

+20
E11
8

6.5x48x16
F2
4

+5/16mm
J3
12

L
16

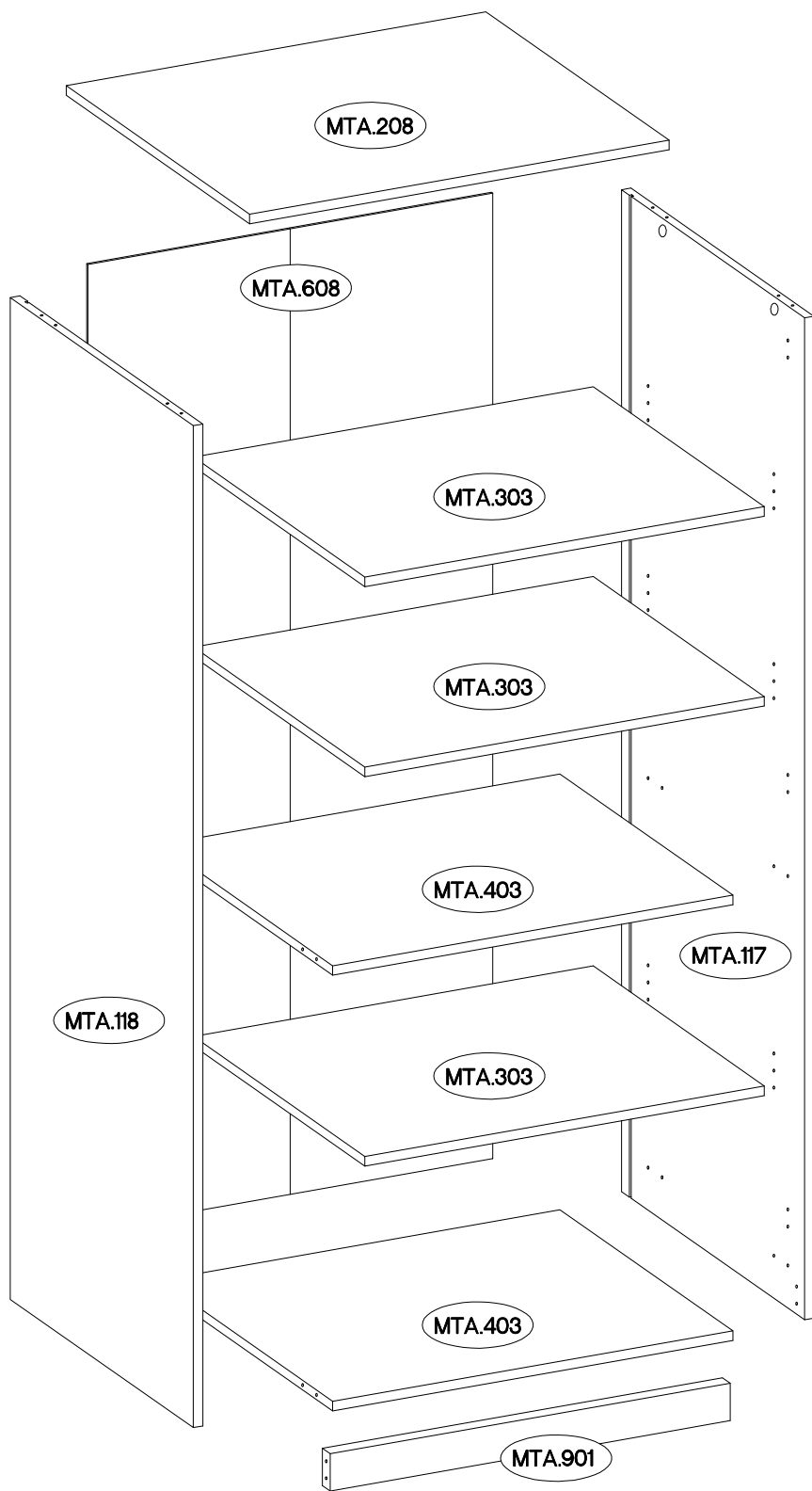
L9
1

+5
M10
2

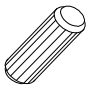

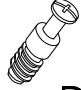
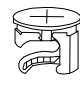
+10x50mm
O7
1

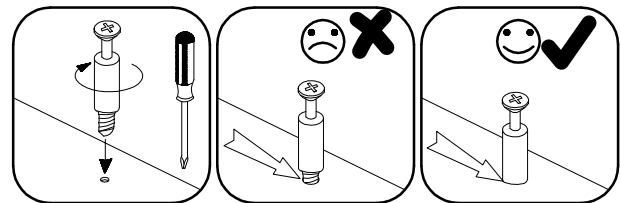
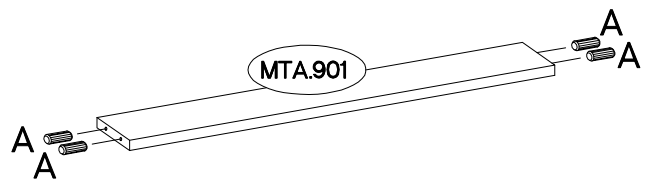
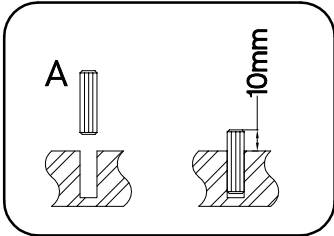
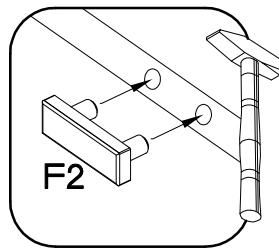
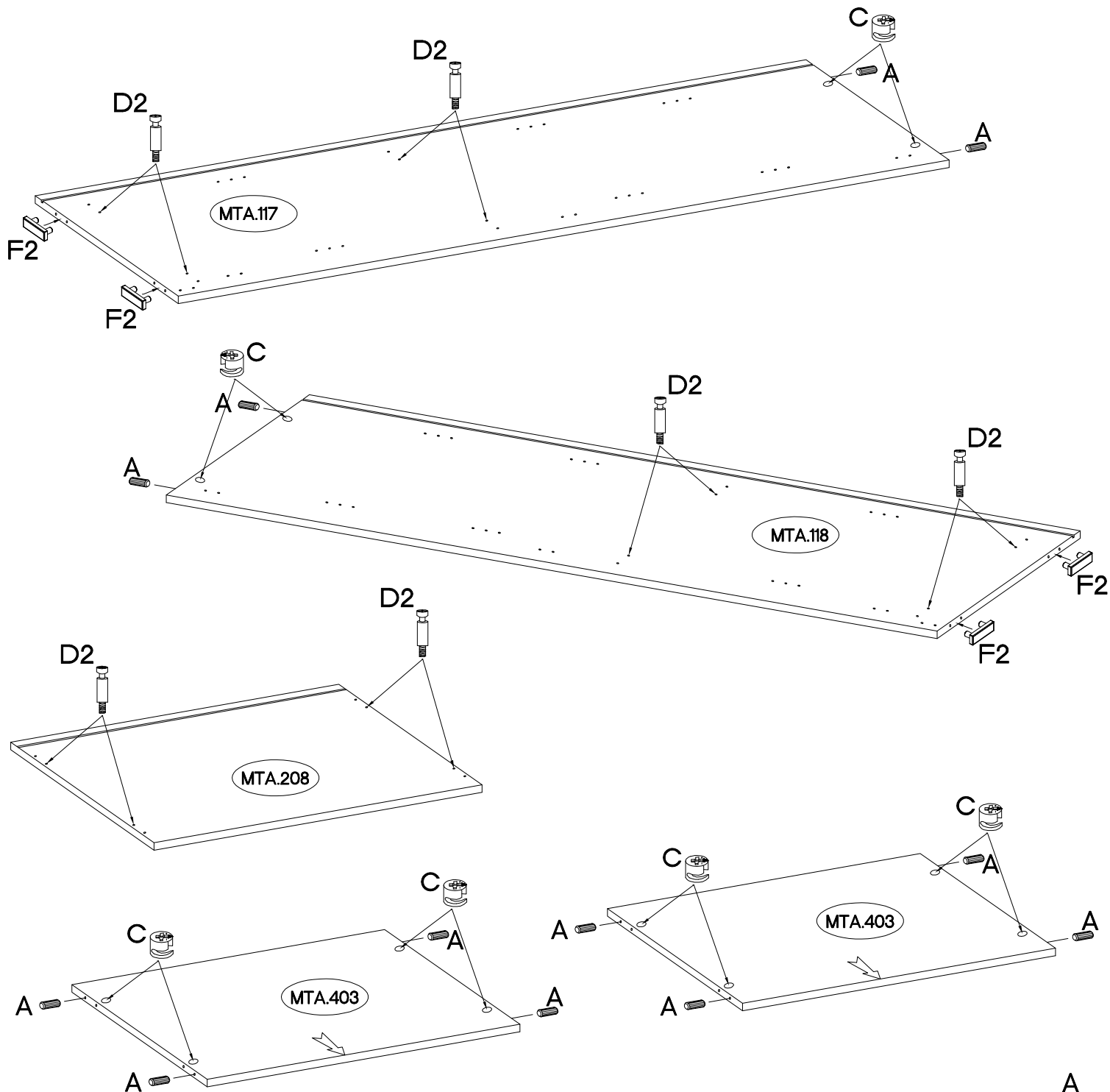
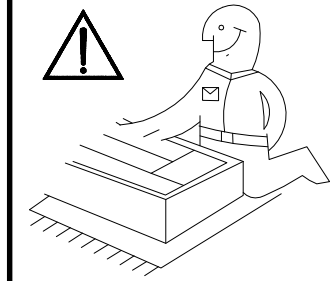
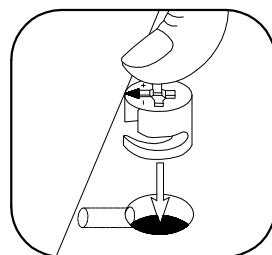
+3.5x13mm
P5
1

+3.0x20mm
P7
12

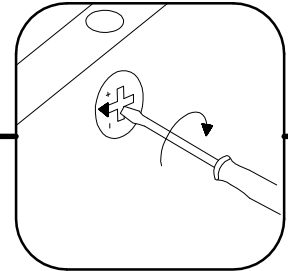
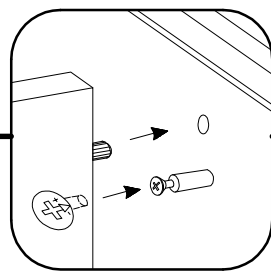
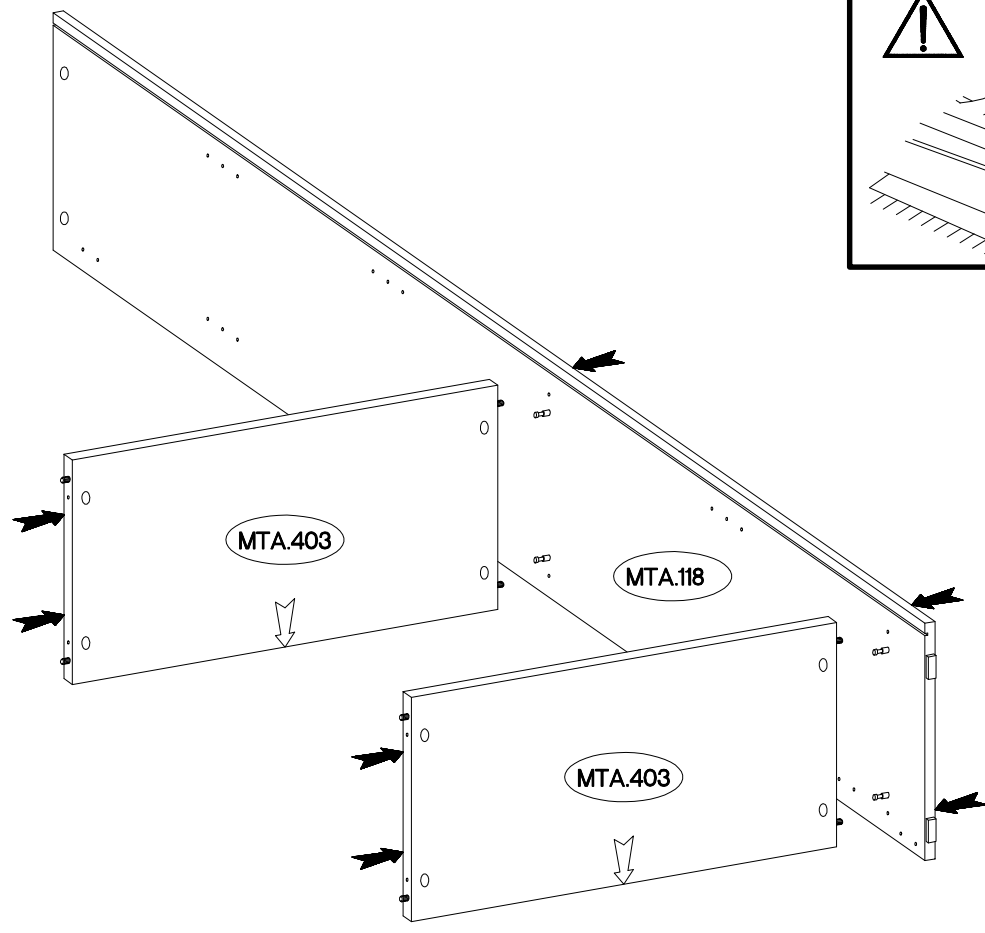
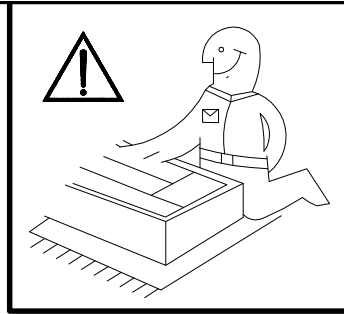


MTA.117	1878x419x18
MTA.118	1878x419x18
MTA.208	799x420x18
MTA.303 x3	761x392x18
MTA.403 x2	762x396x18
MTA.608	1810x771x2,5
MTA.901	762x70x18

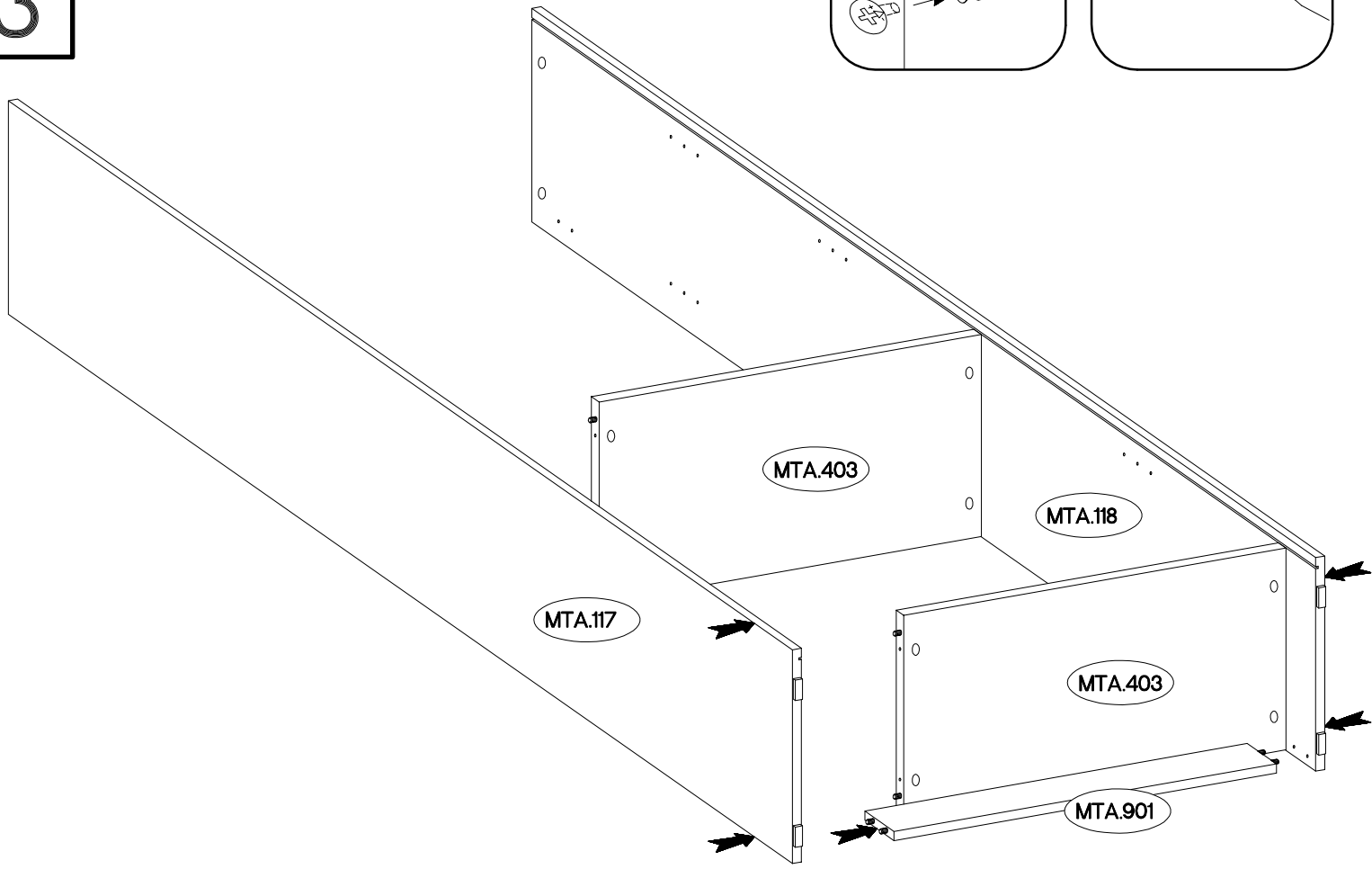
$\varnothing 8 \times 30 \text{mm}$  A 16	$6.5 \times 48 \times 16$  F2 4	$L=20 \text{mm}$  D2 12	$\varnothing 15 / 12 \text{mm}$  C 12
--	--	--	--



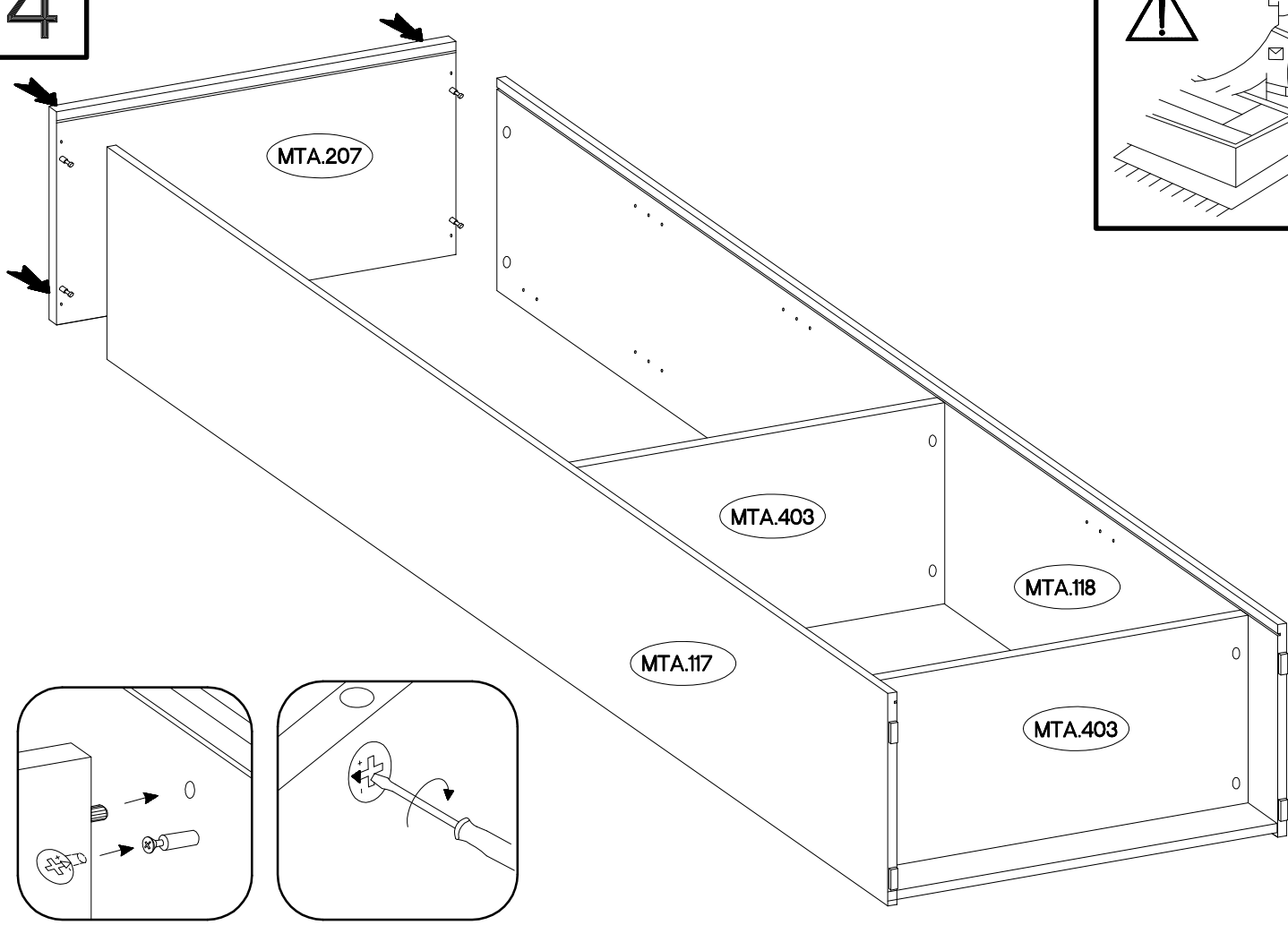
2



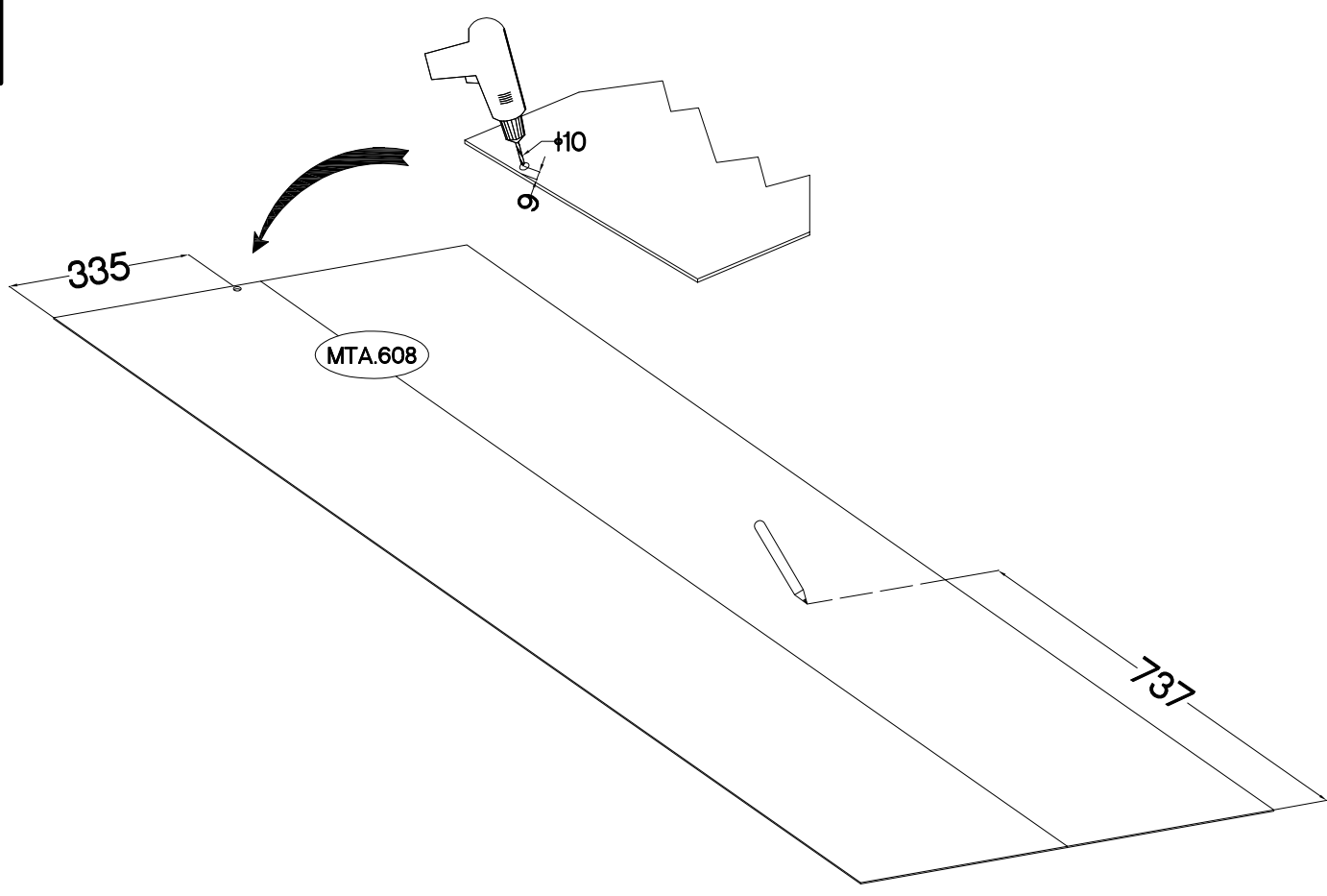
3




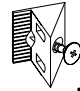
4

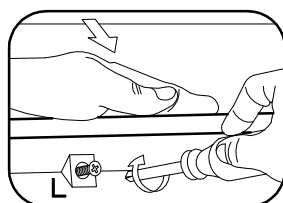
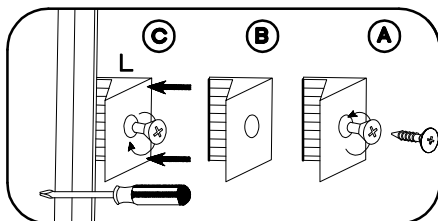
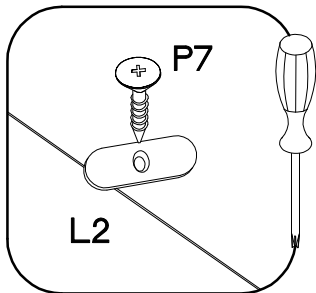
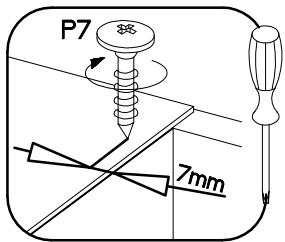
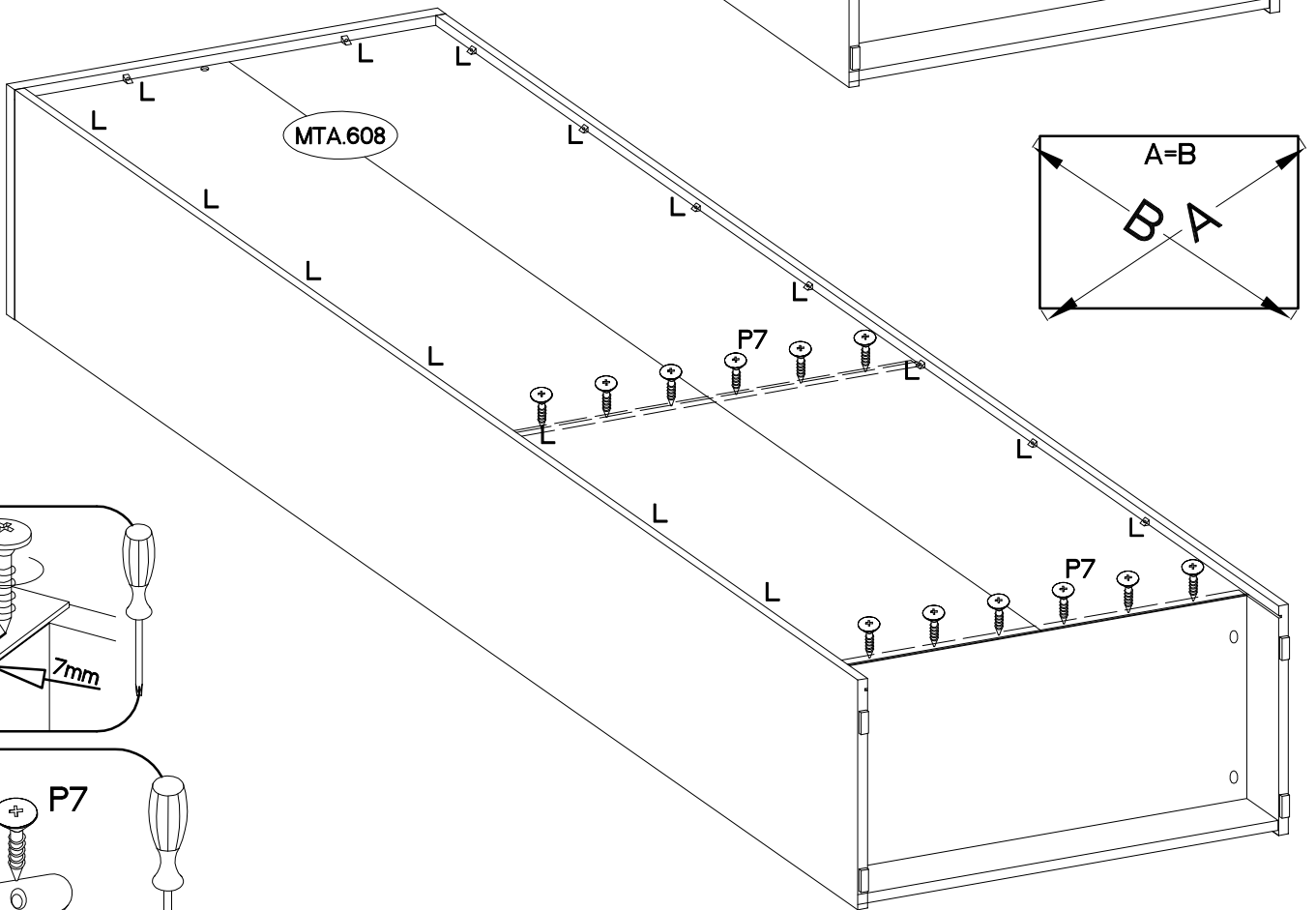
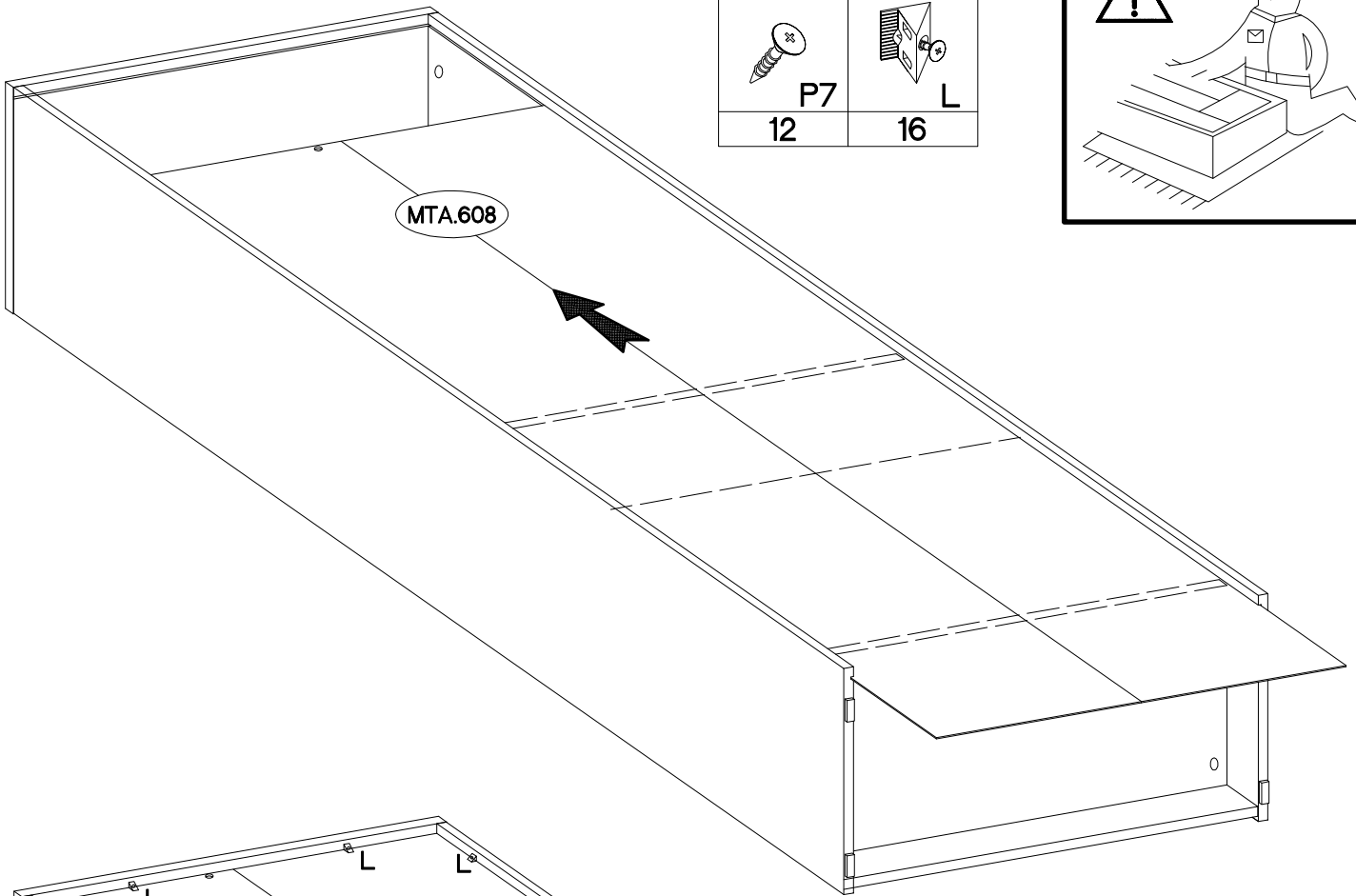
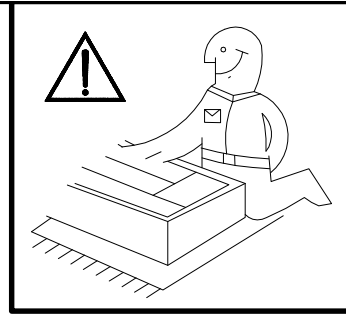


5

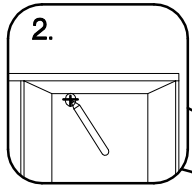


6

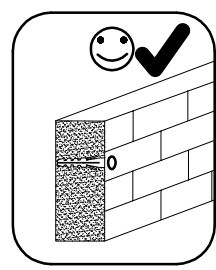
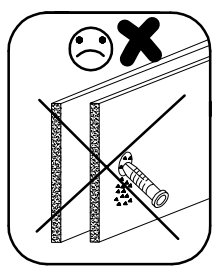
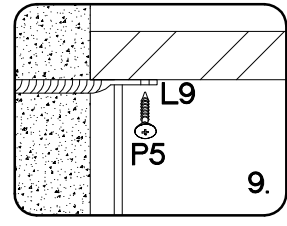
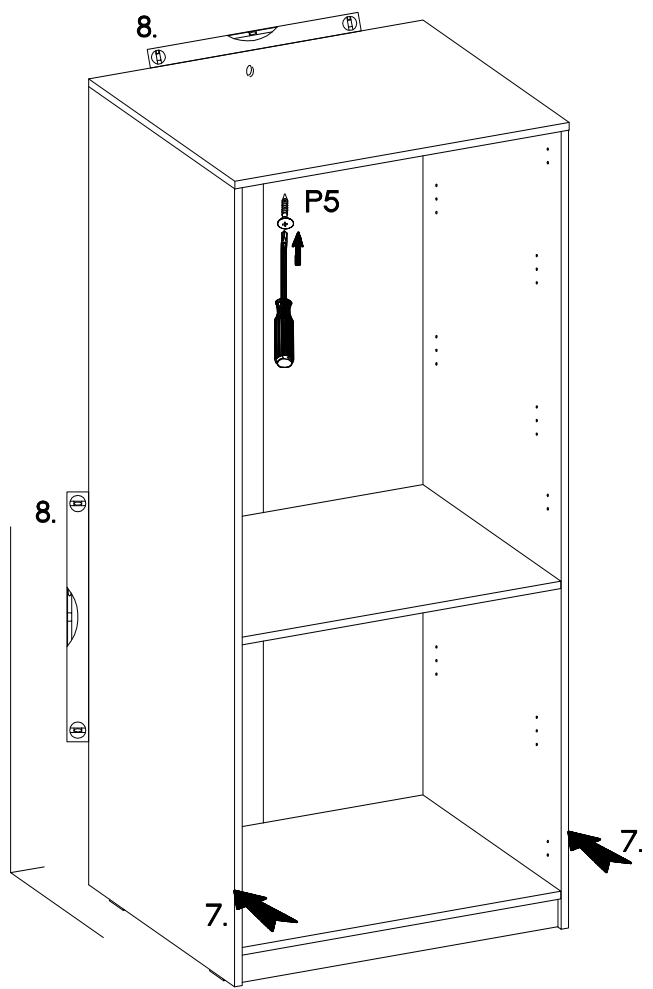
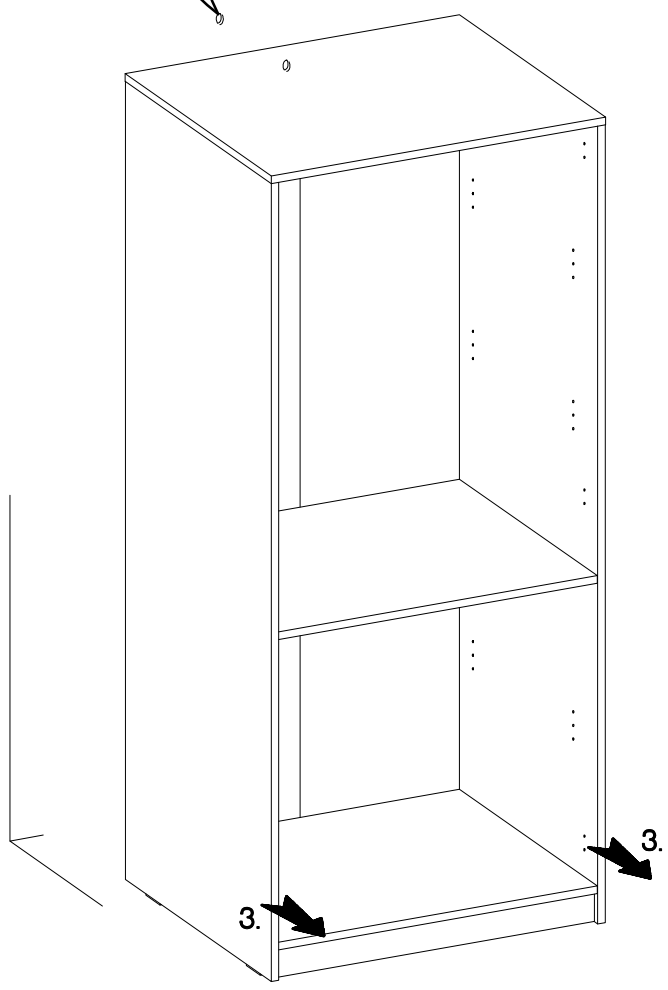
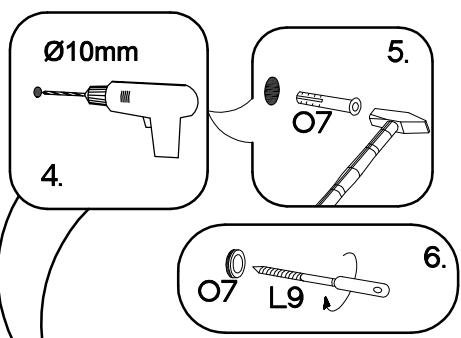
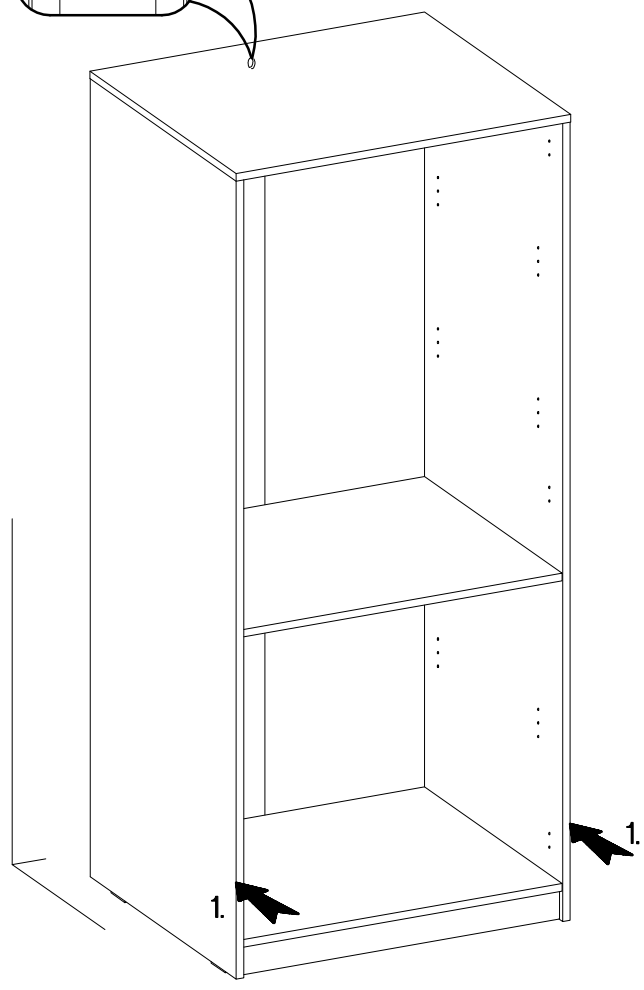
$\pm 3.0 \times 20 \text{mm}$  P7 12	 L 16
--	---

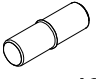
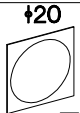


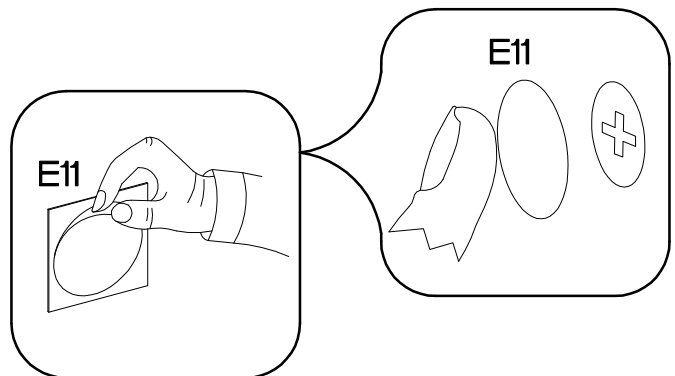
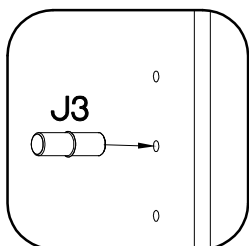
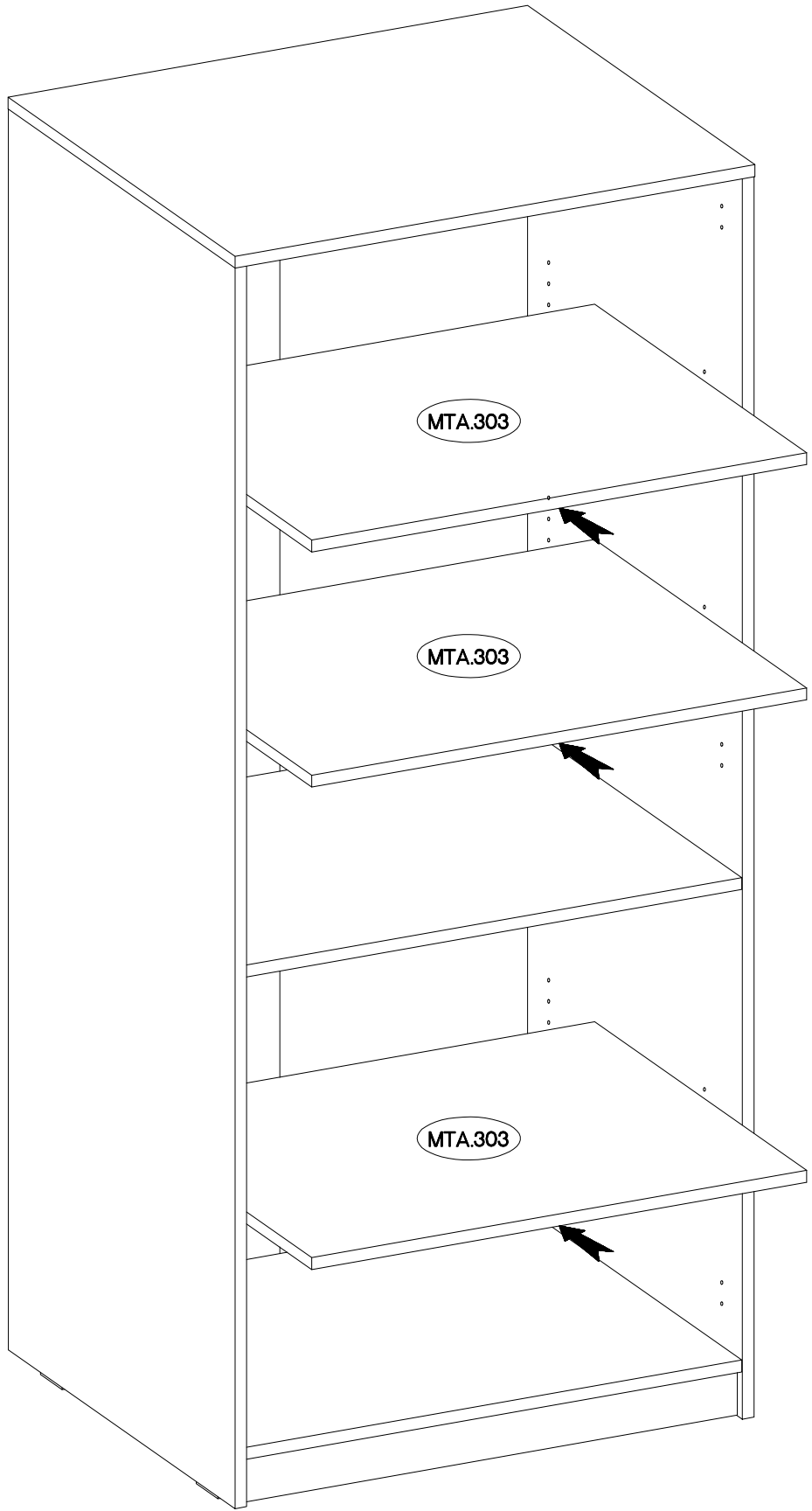
7

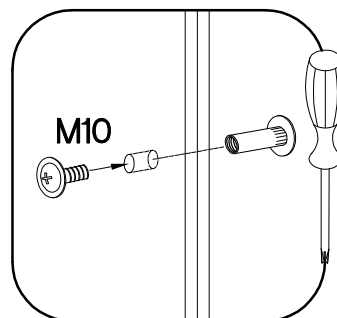
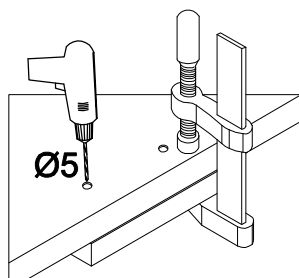
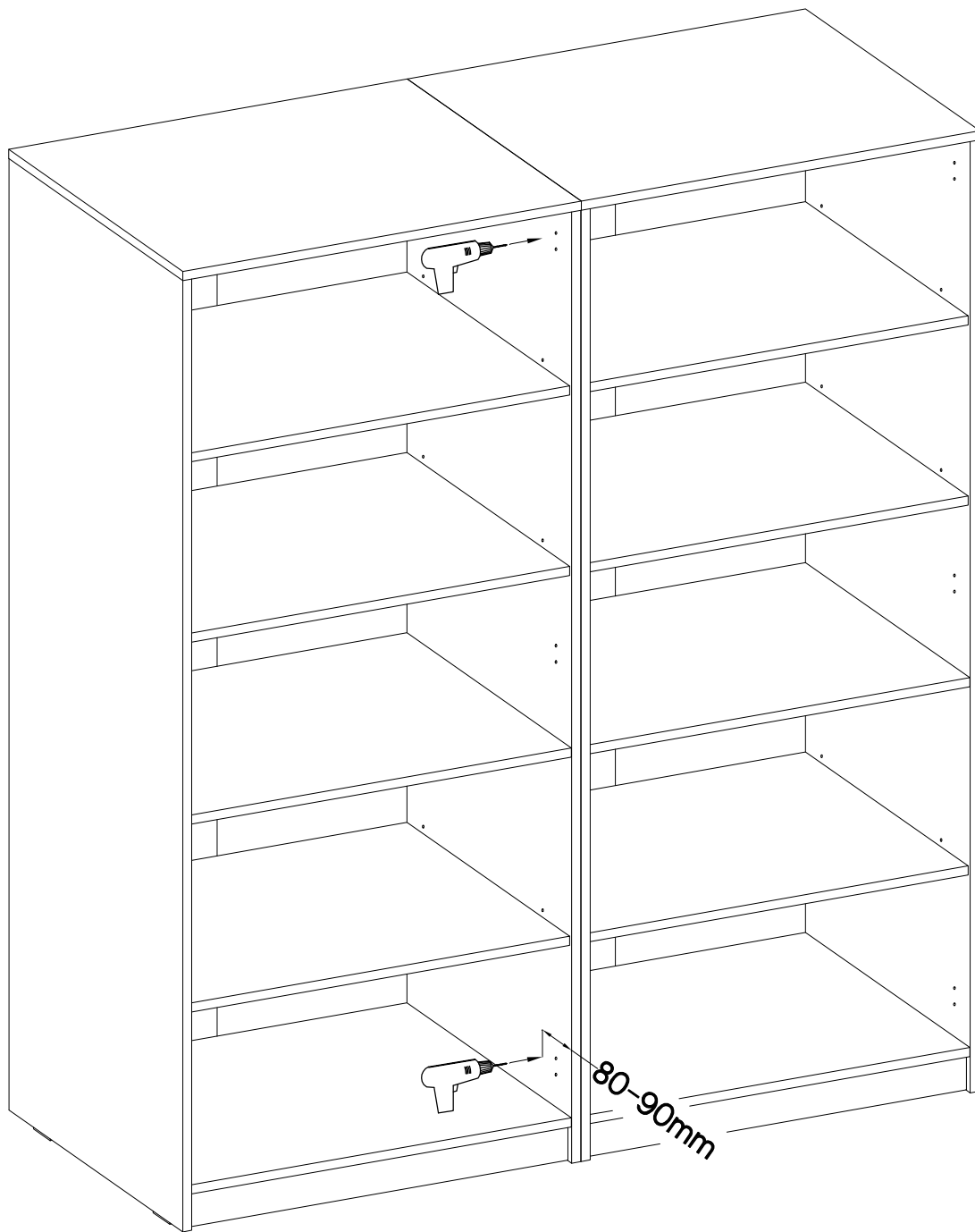
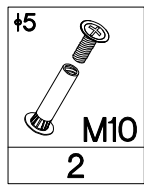


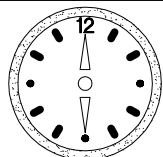
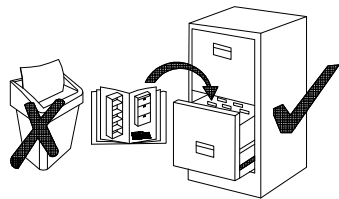
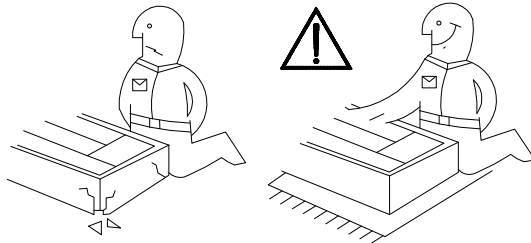
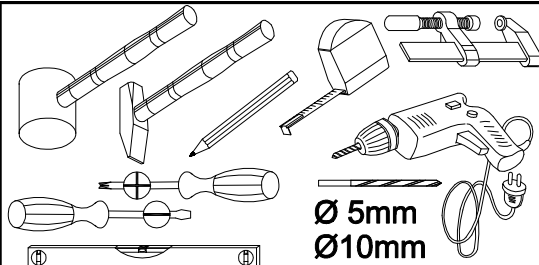
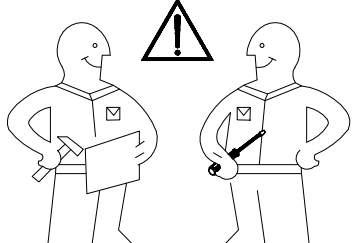
$\pm 10 \times 50 \text{mm}$ 		$\pm 3.5 \times 13 \text{mm}$
O7	L9	P5
1	1	1



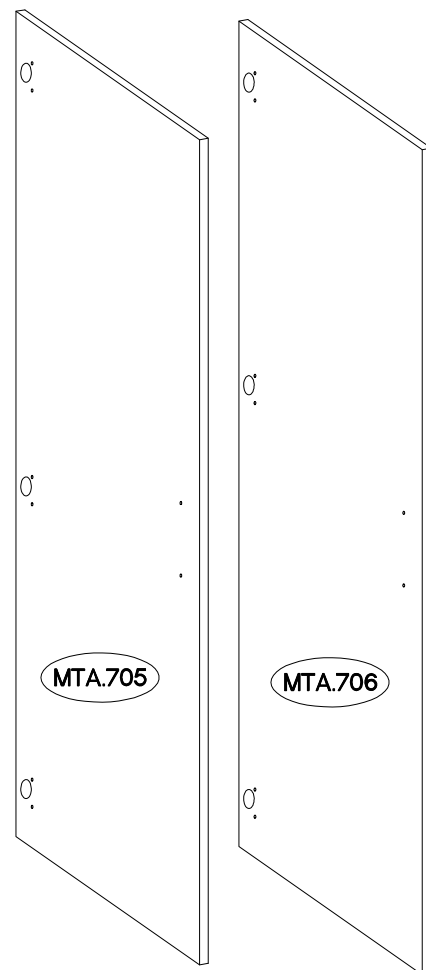
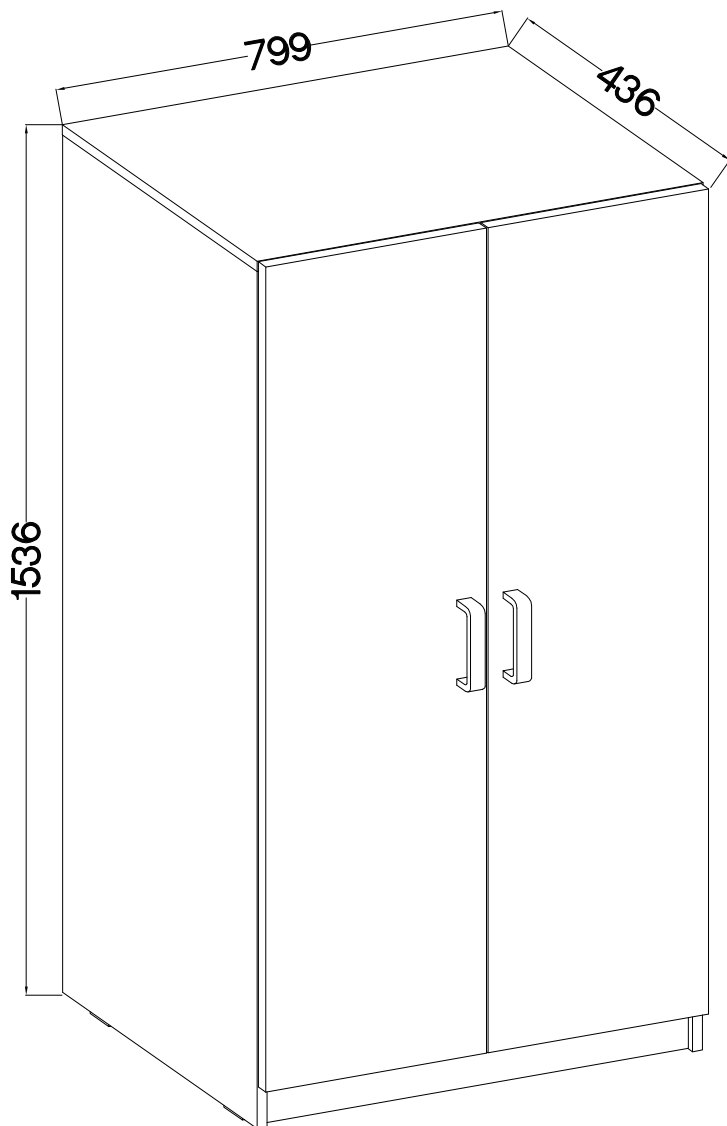
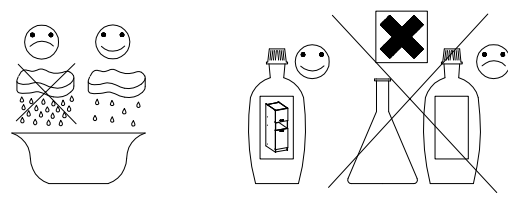
 <p>±5/16mm J3</p>	 <p>±20 E11</p>
12	8













30 min

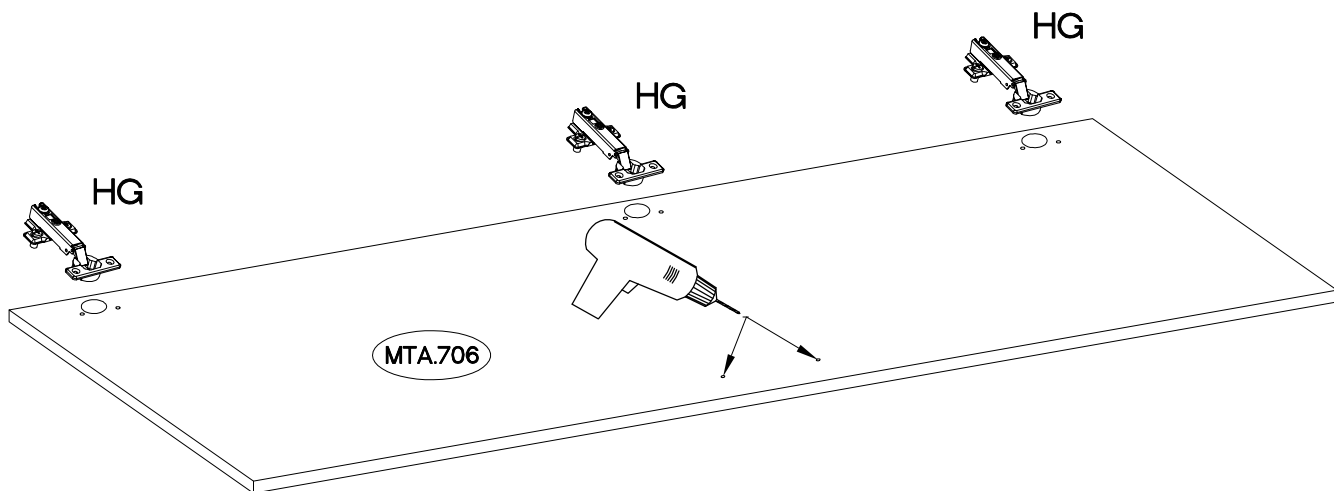
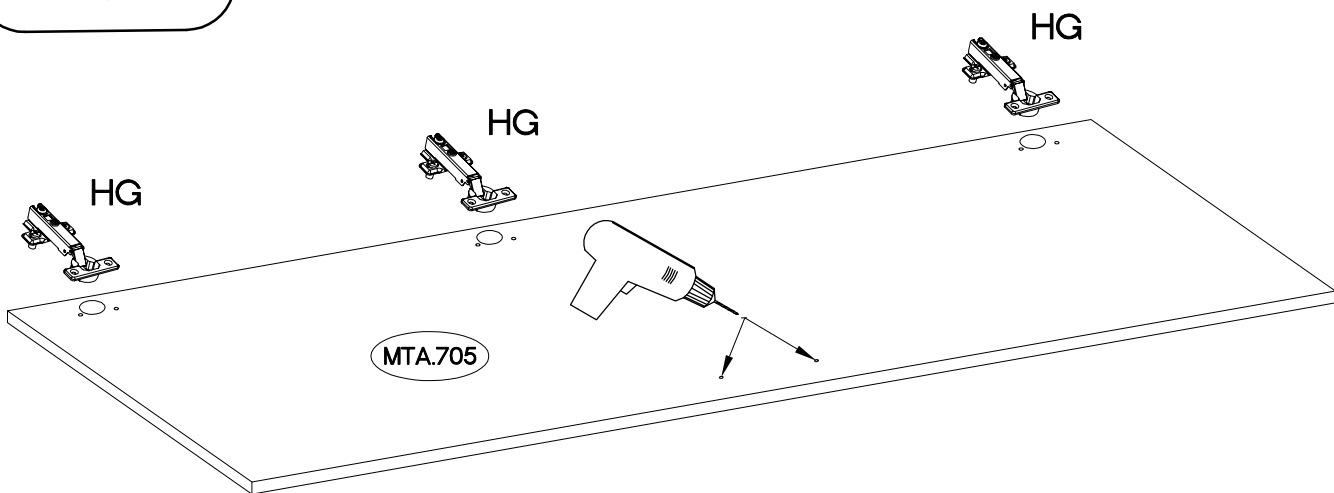
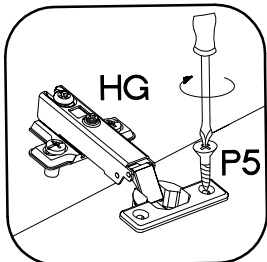
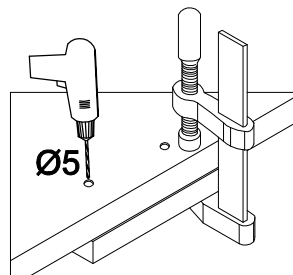
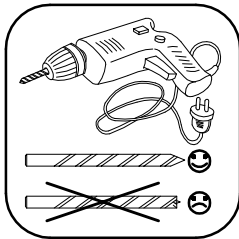


 [CD] HG	 P5	 S	 U
6	12	2	4

MTA.705	1456x395x16
MTA.706	1456x395x16

1

 HG 6	 P5 12
---	--



2

TYP 107

L=128mm M4x22mm

