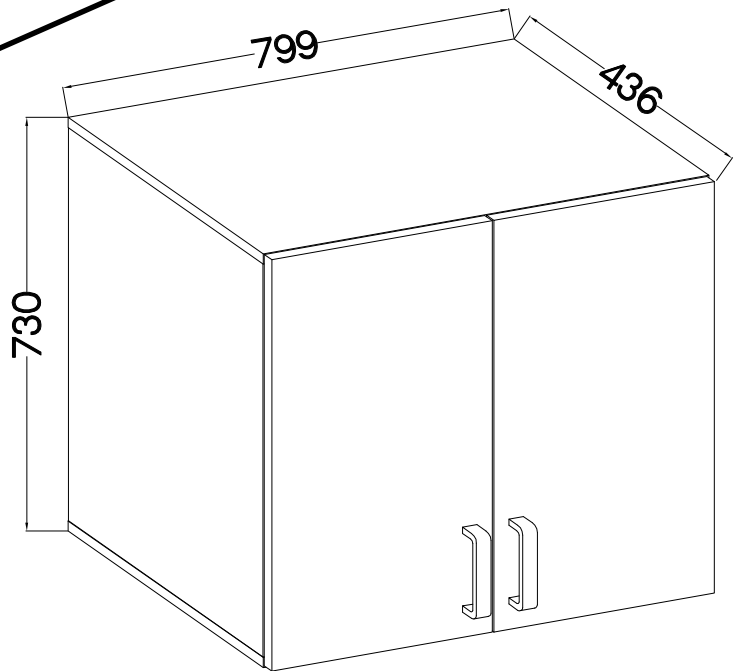
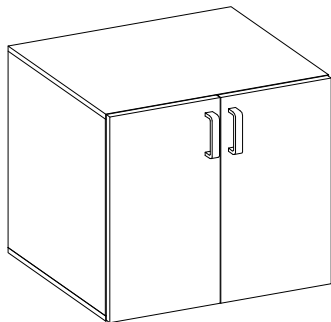
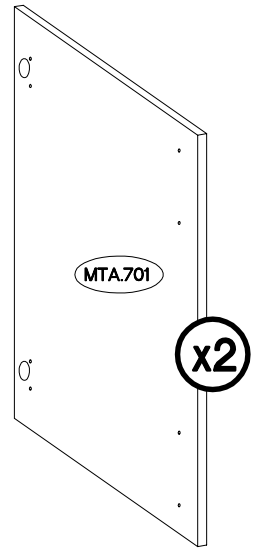
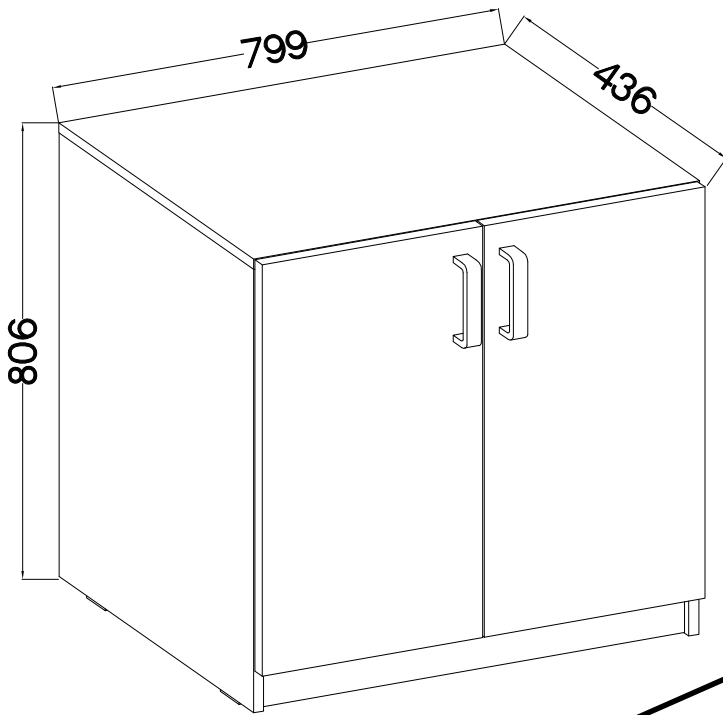
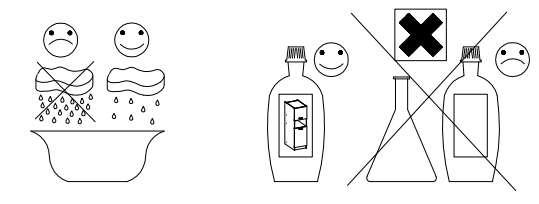








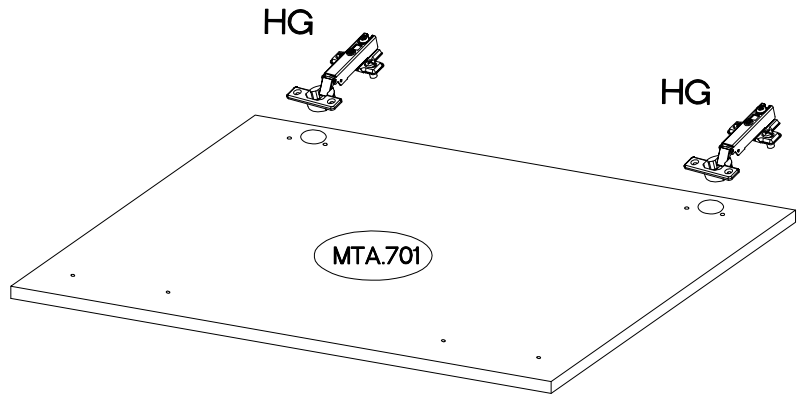
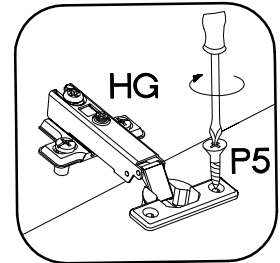
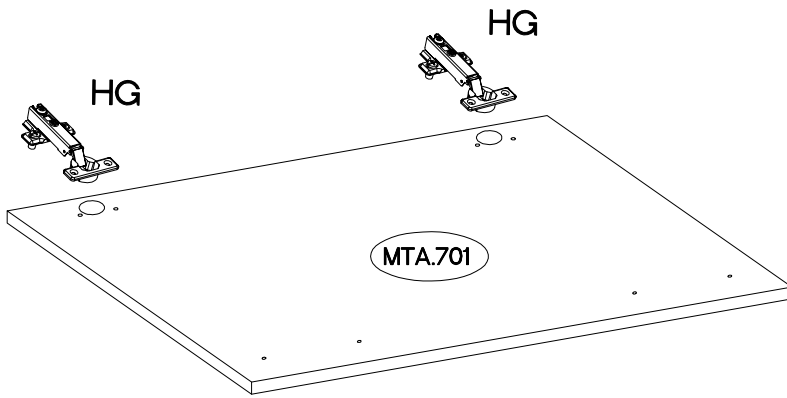
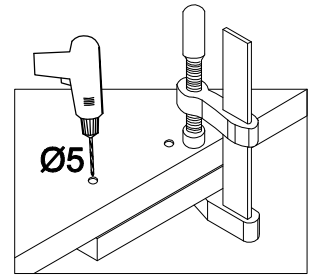
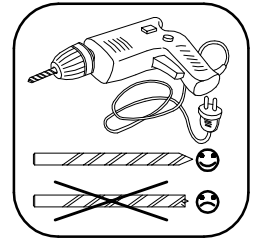
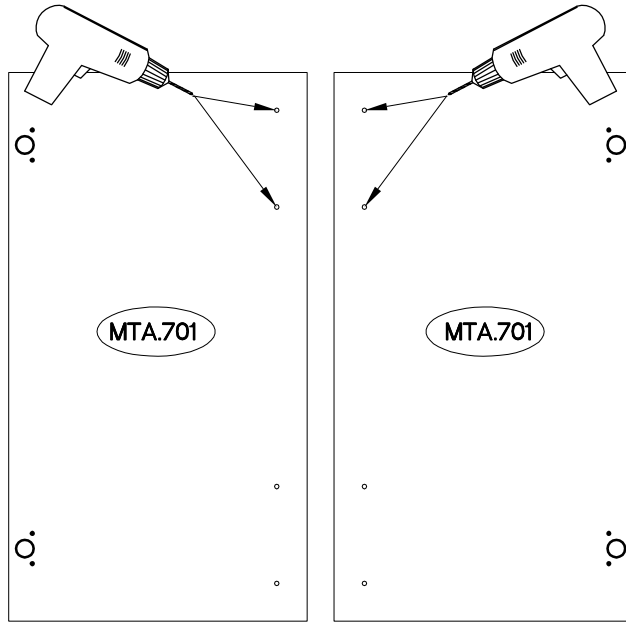
30 min



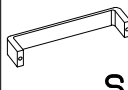

†35/0mm	†3.5x13mm	L=128mm	M4x22mm
			
[CD] HG	P5	S	U
4	8	2	4

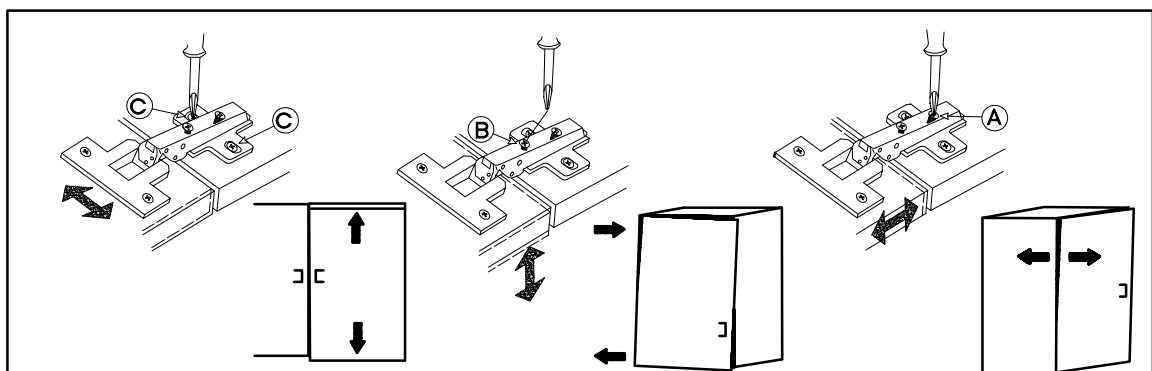
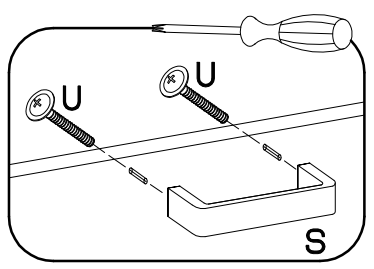
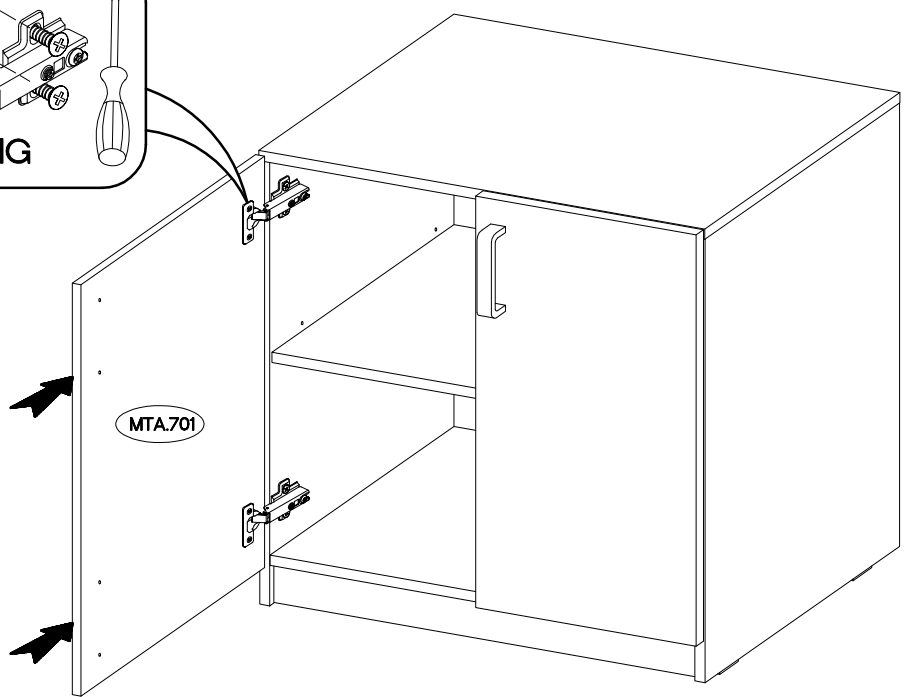
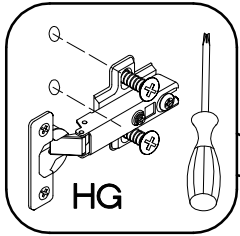
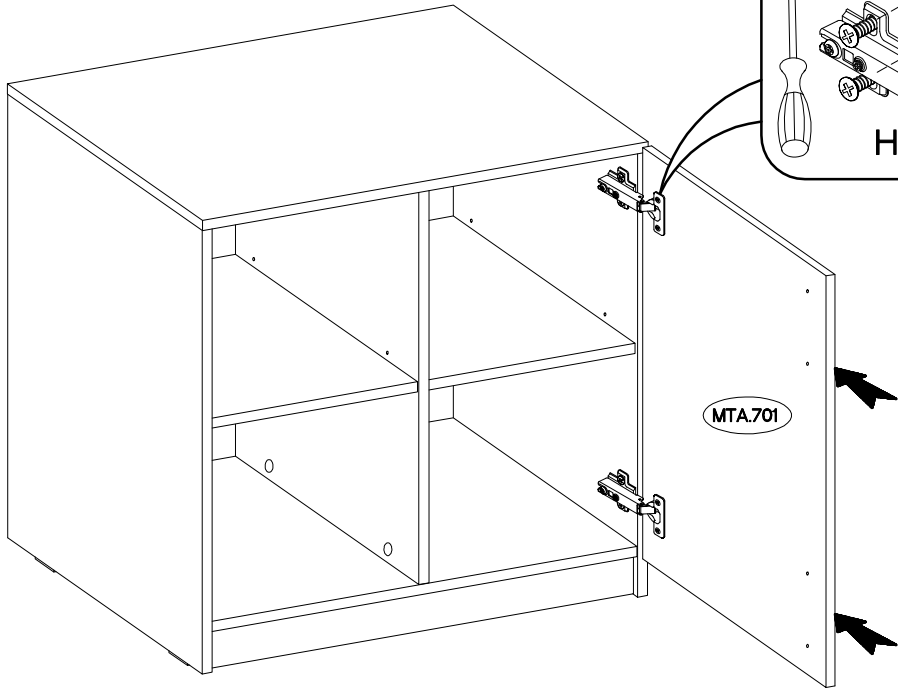
MTA.701 x2	726x395x16
------------	------------

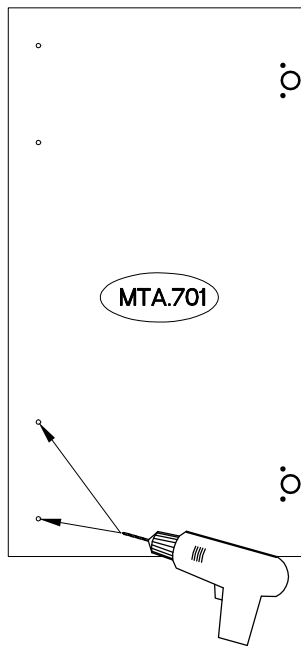
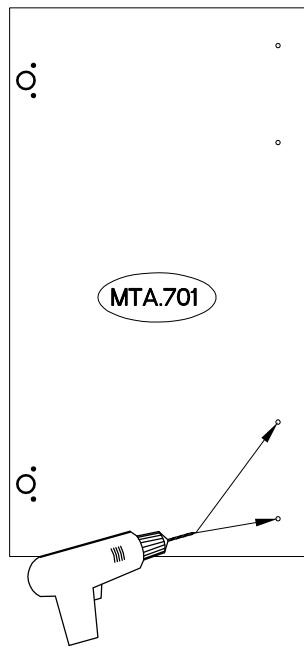
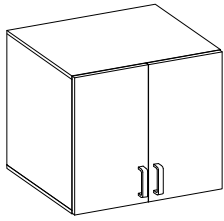
$\pm 35/0\text{mm}$	$\pm 3.5 \times 13\text{mm}$
 [CD] HG	 P5
4	8





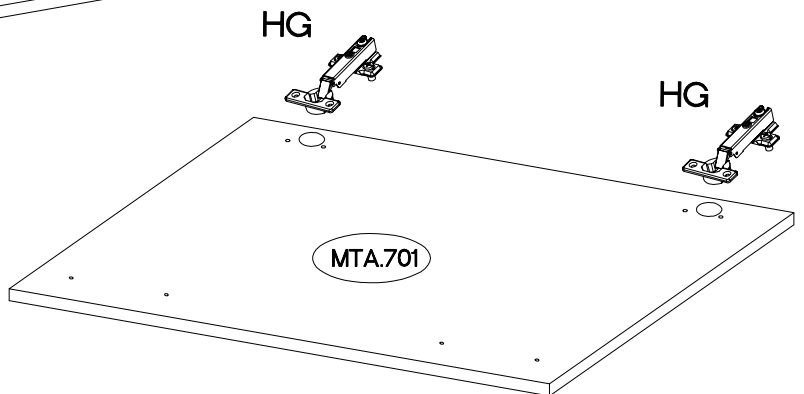
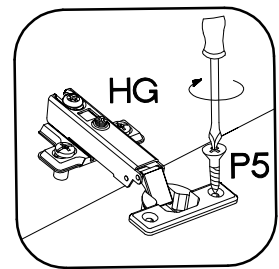
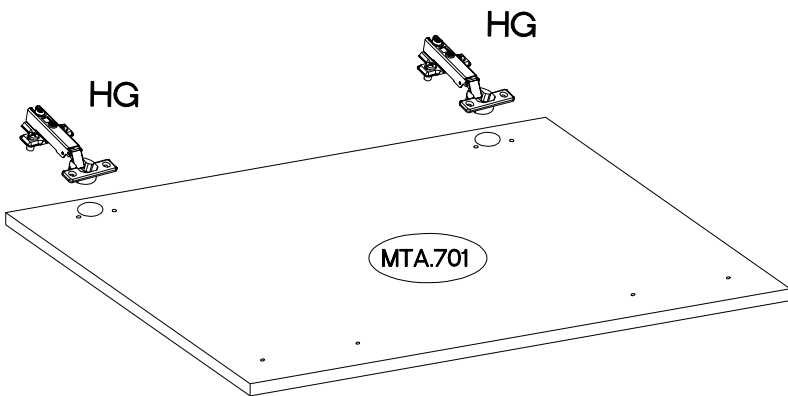
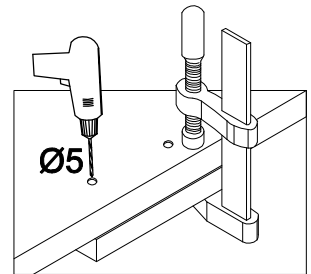
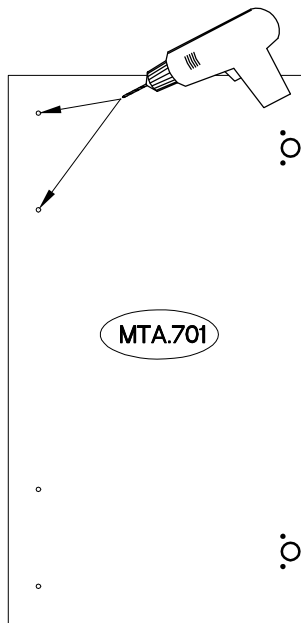
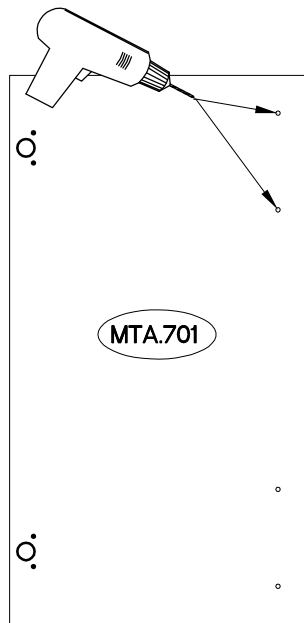
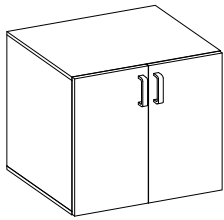
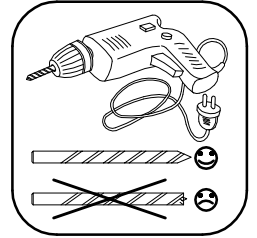
2

L=128mm	M4x22mm
	
S	U
2	4

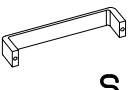



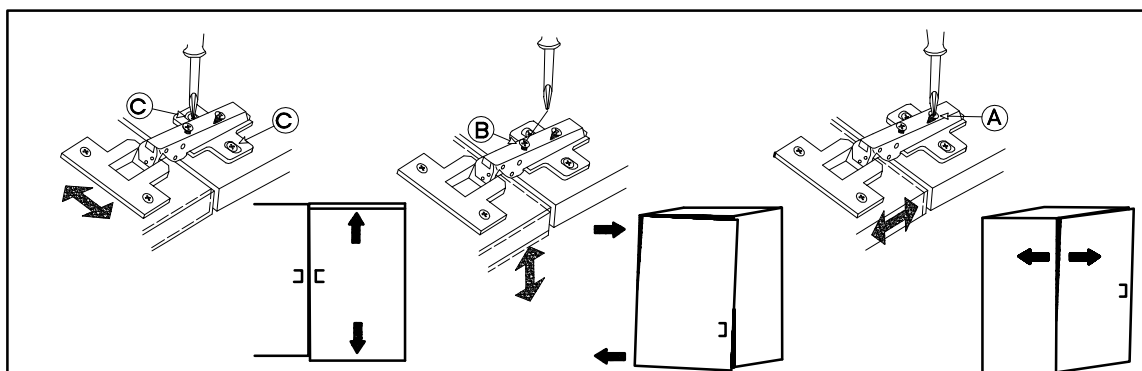
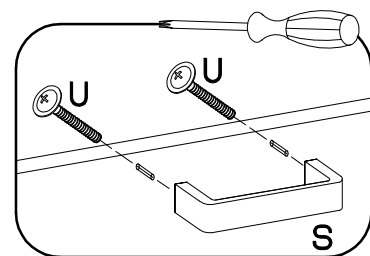
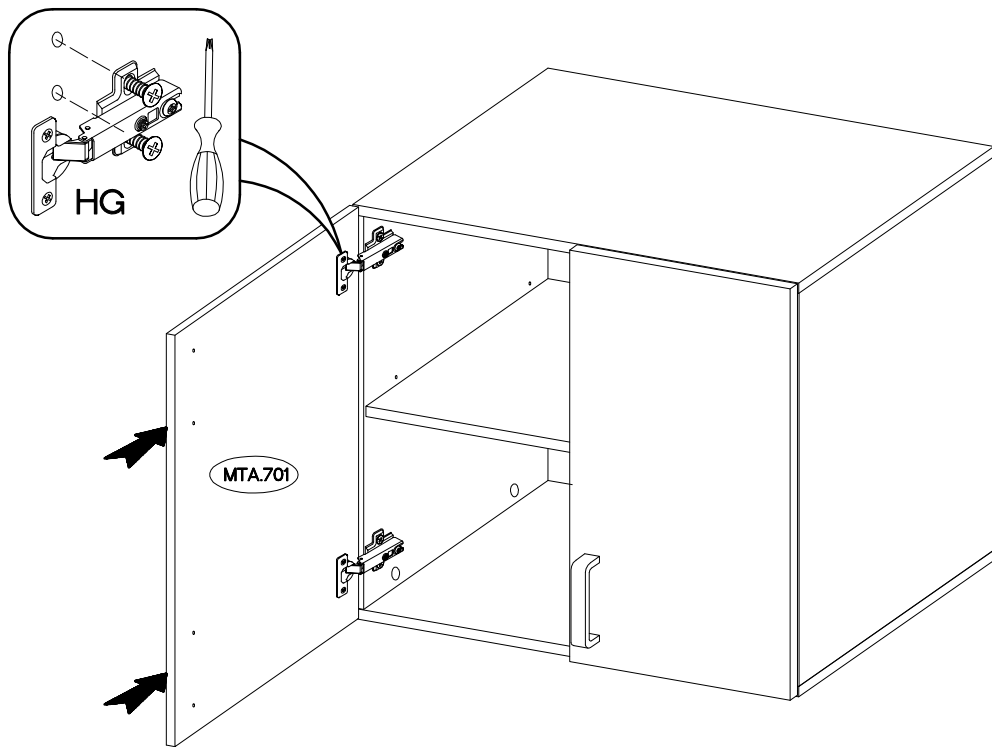
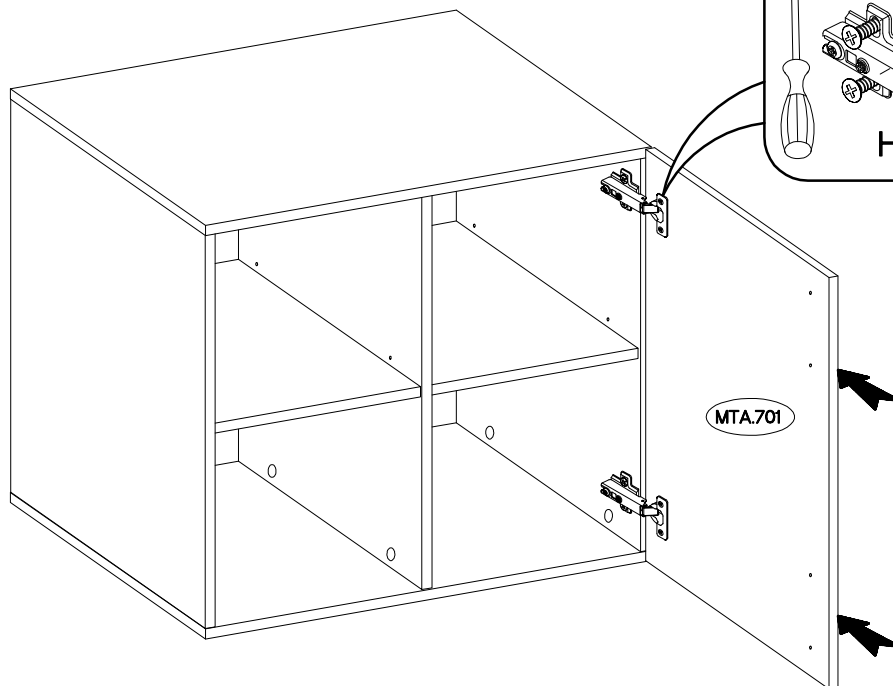


 $\varnothing 35/0mm$	 $\varnothing 3.5 \times 13mm$
[CD] HG	P5
4	8

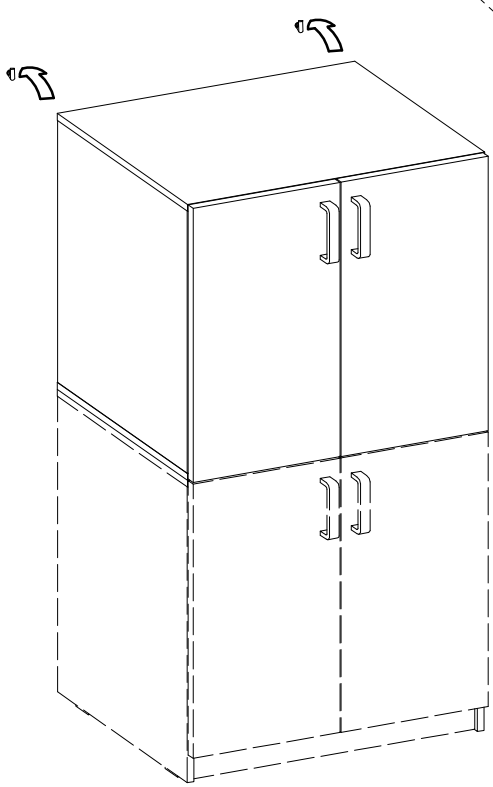
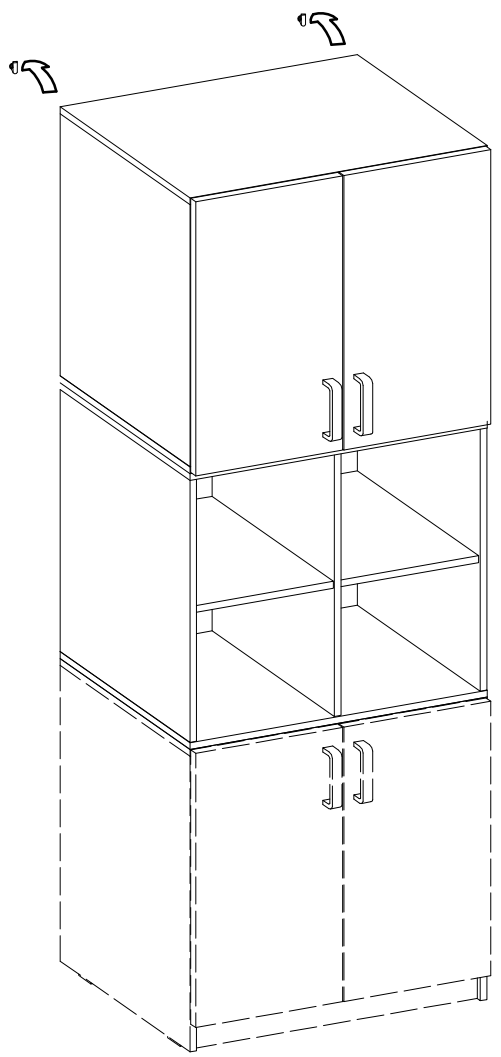
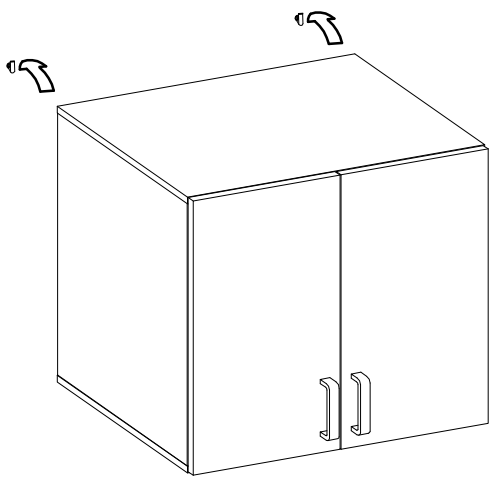


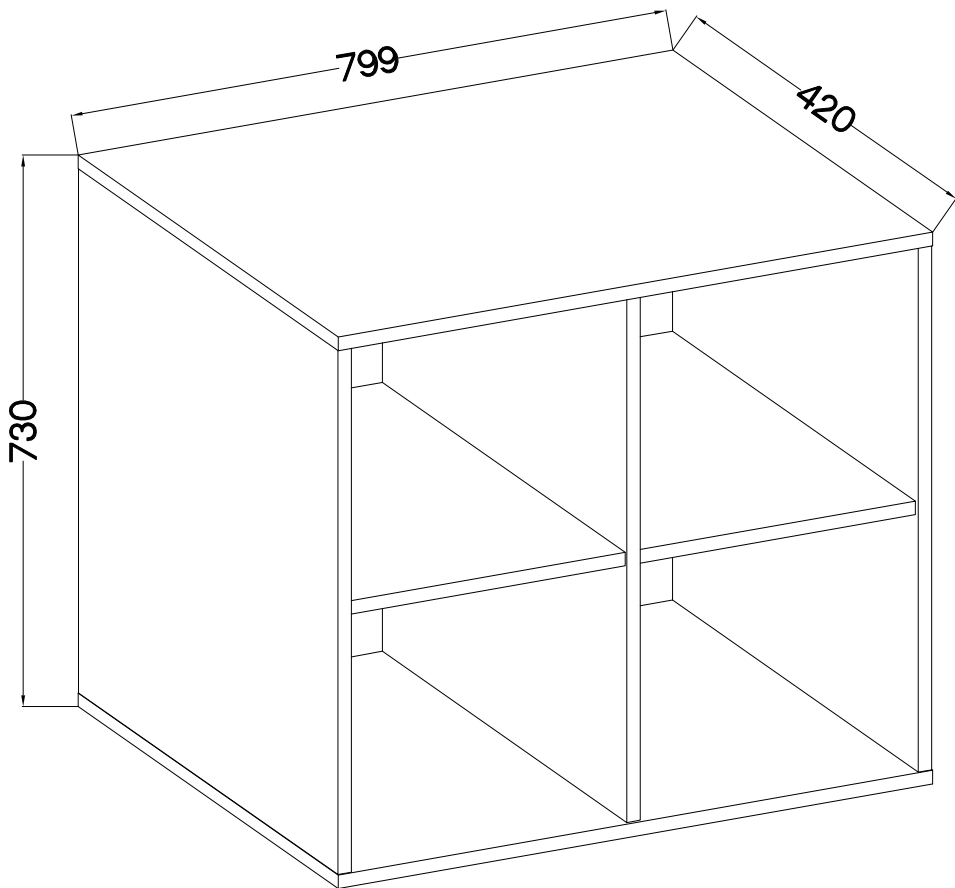
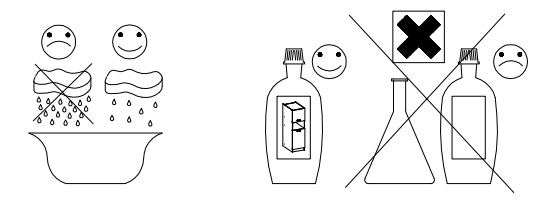
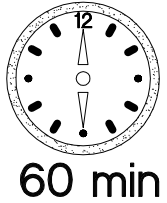
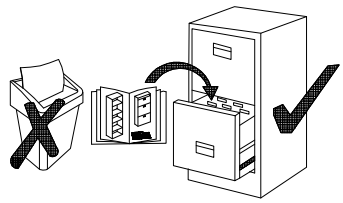
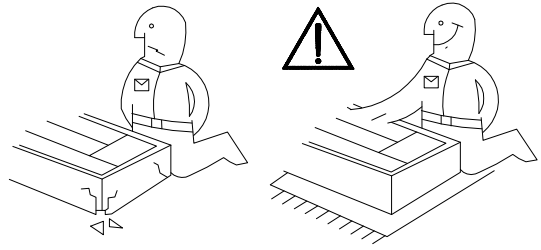
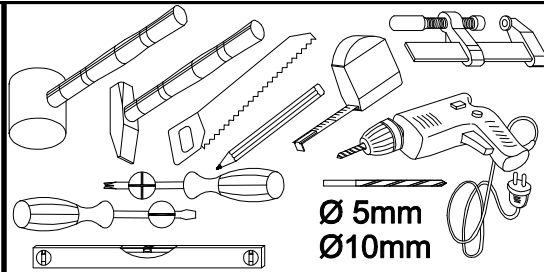
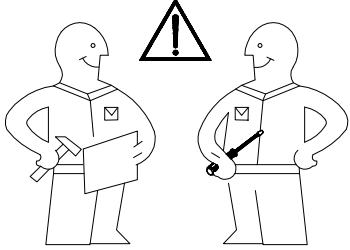
4

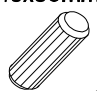




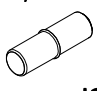
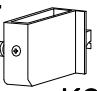
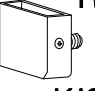

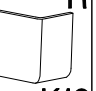
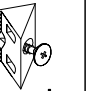
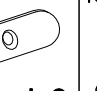


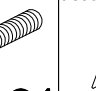
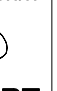
L=128mm	M4x22mm
	
S	U
2	4



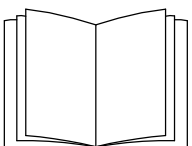
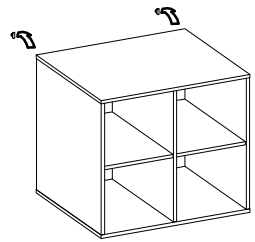
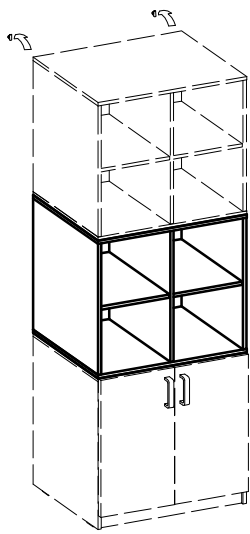
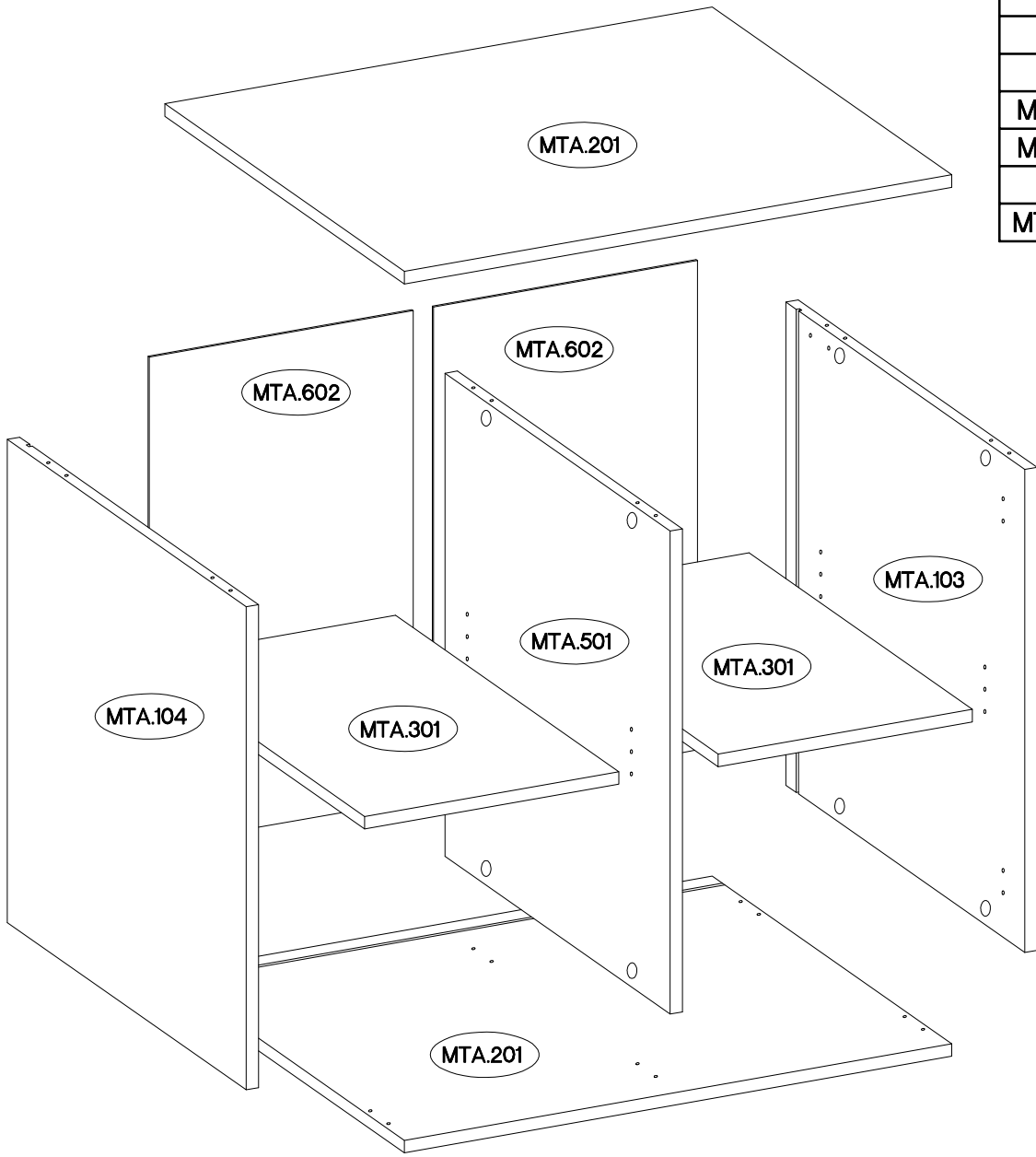
5



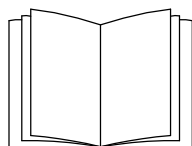


 A 12	 C 12	 D2 12	 E11 12	 E13 4						
 J3 8	 K9 1	 K10 1	 K11 1	 K12 1	 L 10	 L2 5	 M10 2	 O7 2	 O4 2	 P7 5

MTA.103	394x419x18
MTA.104	394x419x18
MTA.201 x2	799x420x18
MTA.301 x2	371x392x18
MTA.501	694x395x18
MTA.602 x2	703x385x2,5

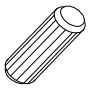




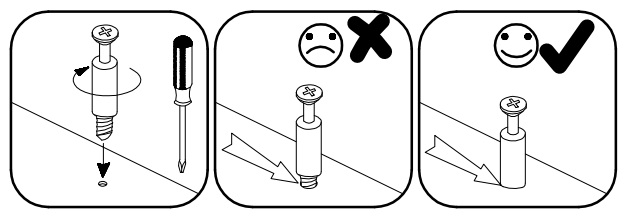
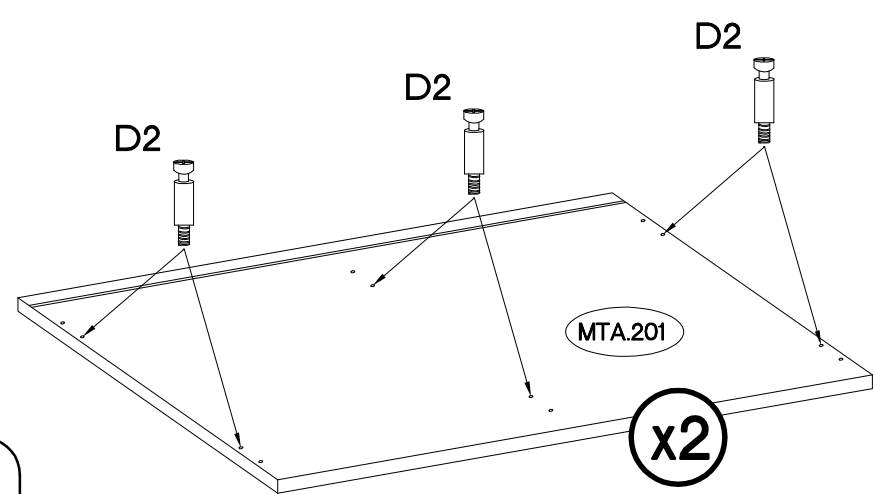
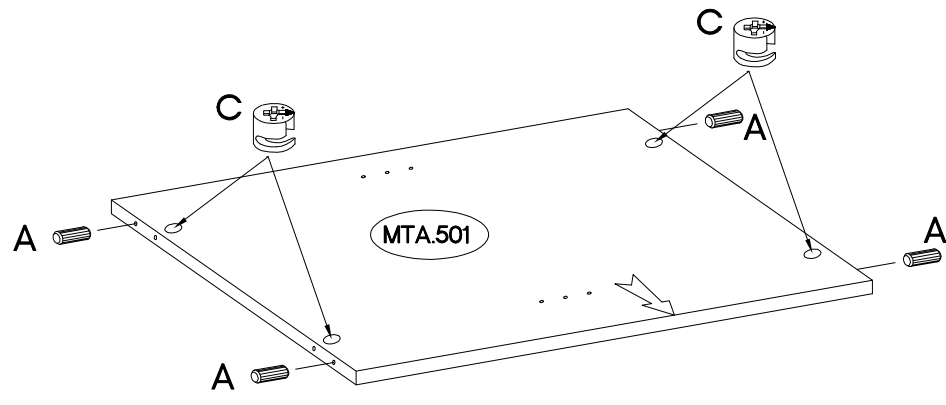
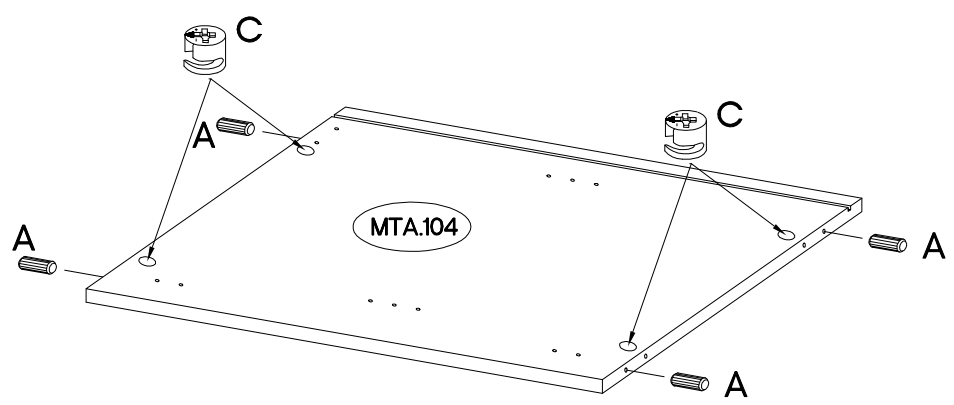
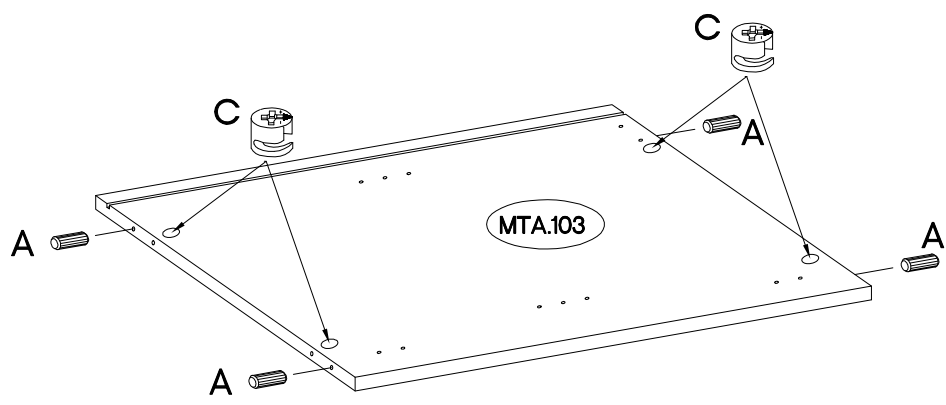
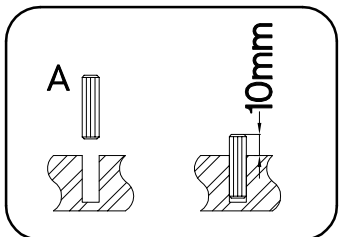
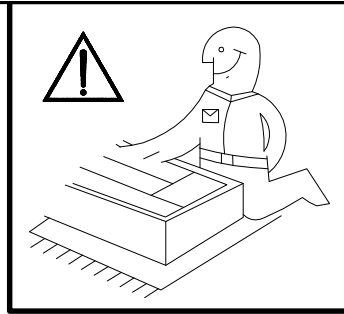
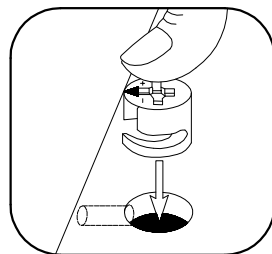
1 — 6



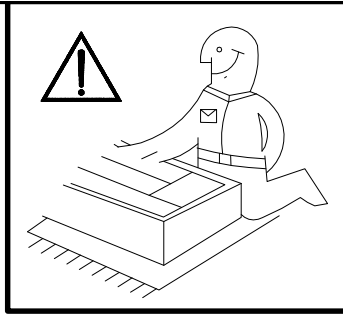
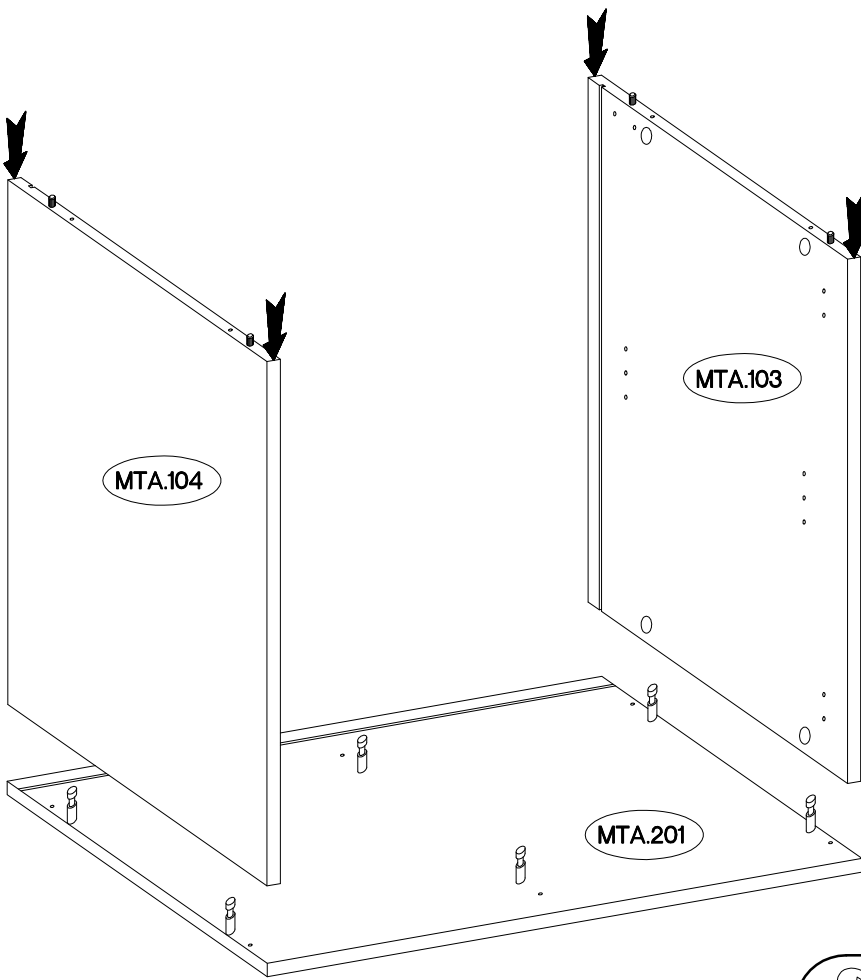
7 — 14

1

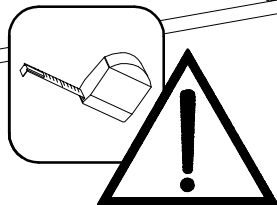
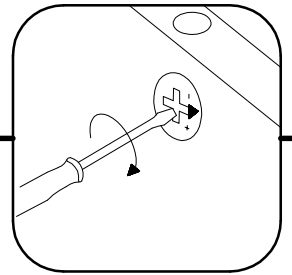
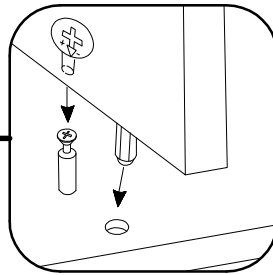
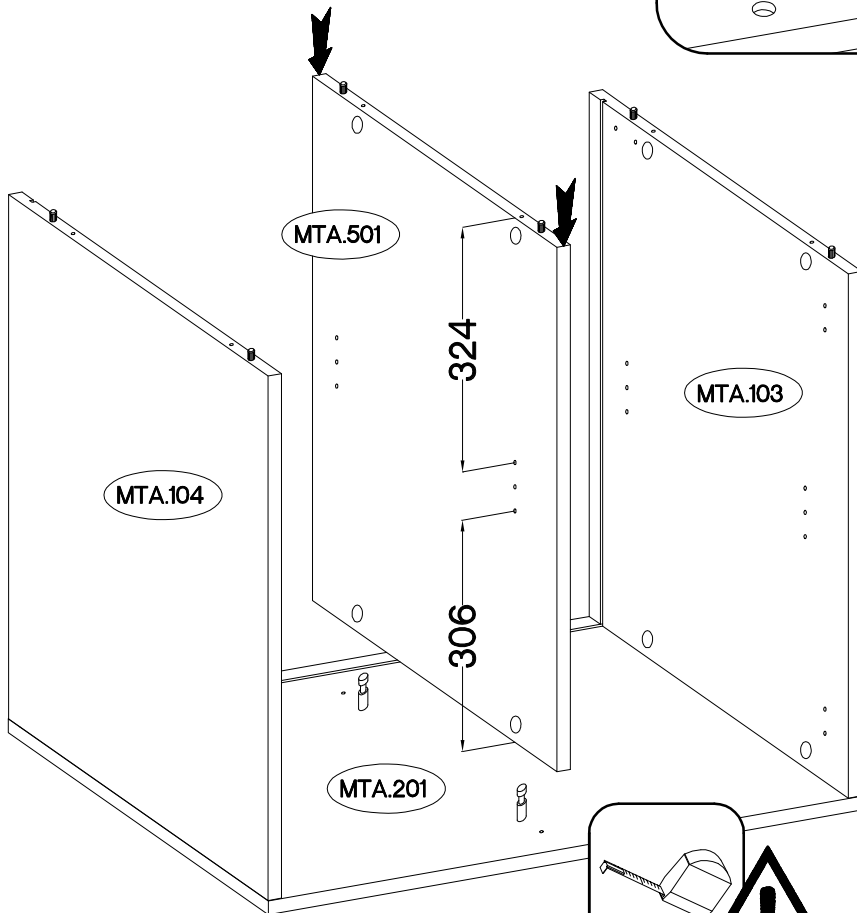
$\varnothing 8 \times 30 \text{mm}$  A 12	L=20mm  D2 12	$\varnothing 15/12 \text{mm}$  C 12
--	--	--



2

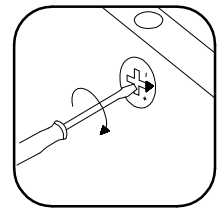
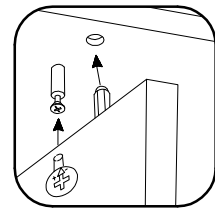
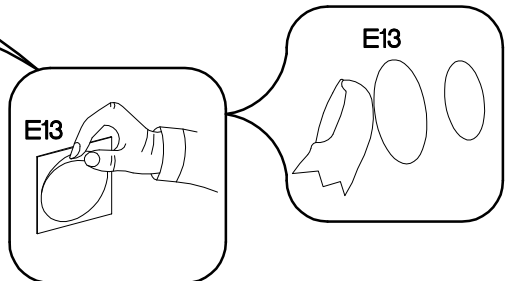
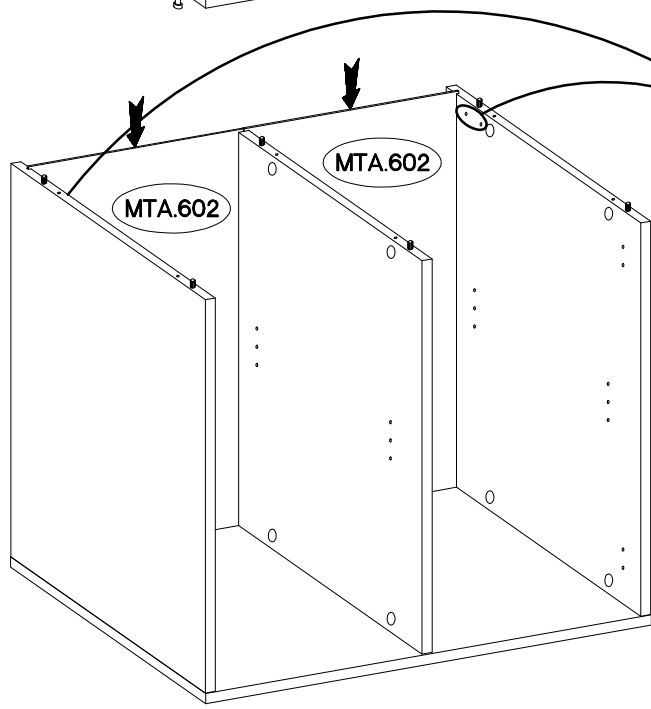
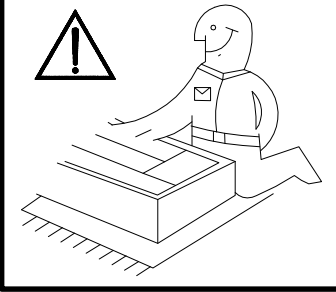
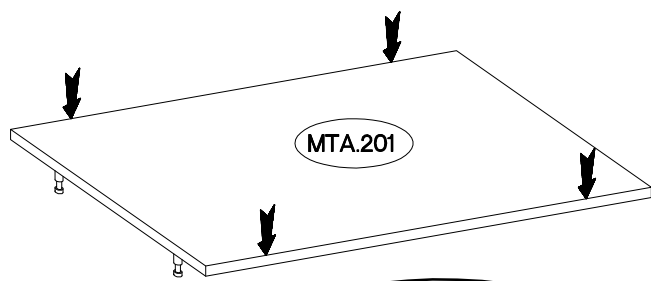


3



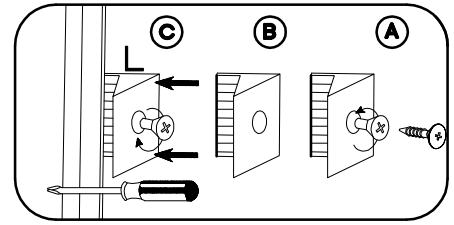
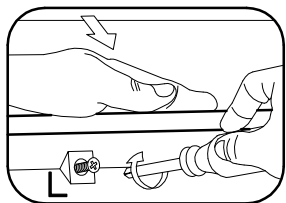
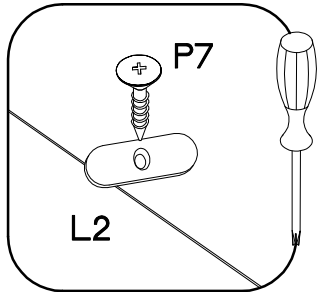
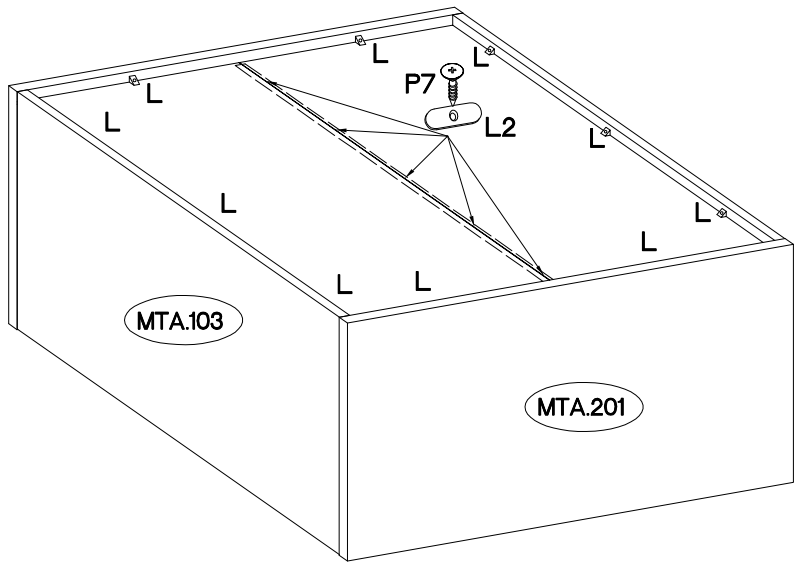
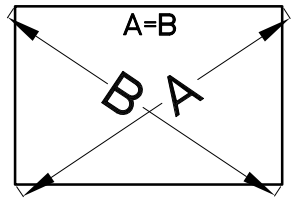
4

∅14
E13
4

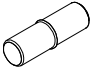
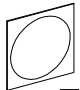


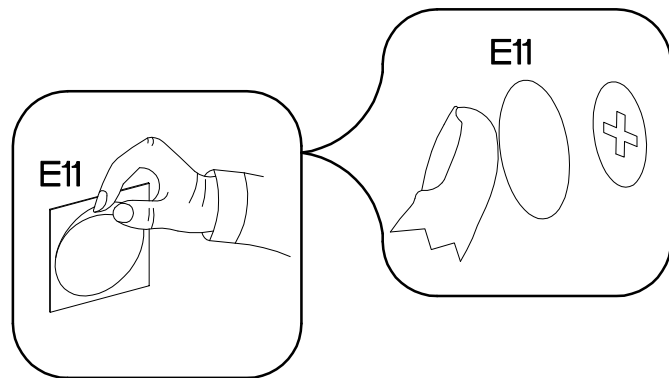
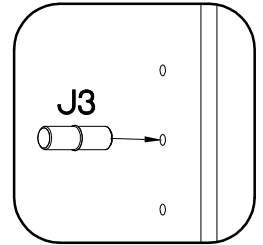
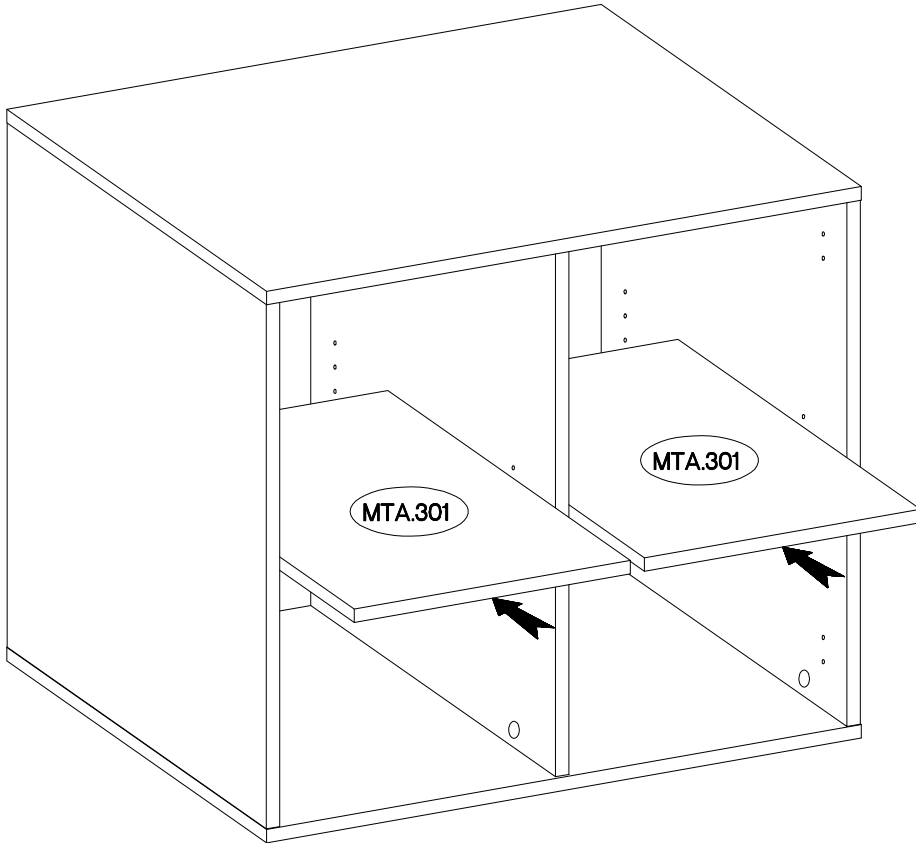
5




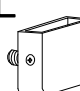
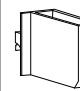
∅3.0x20mm		
P7	L2	L
5	5	10

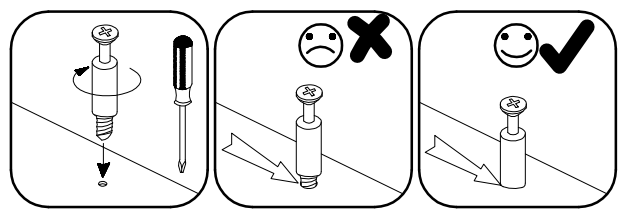
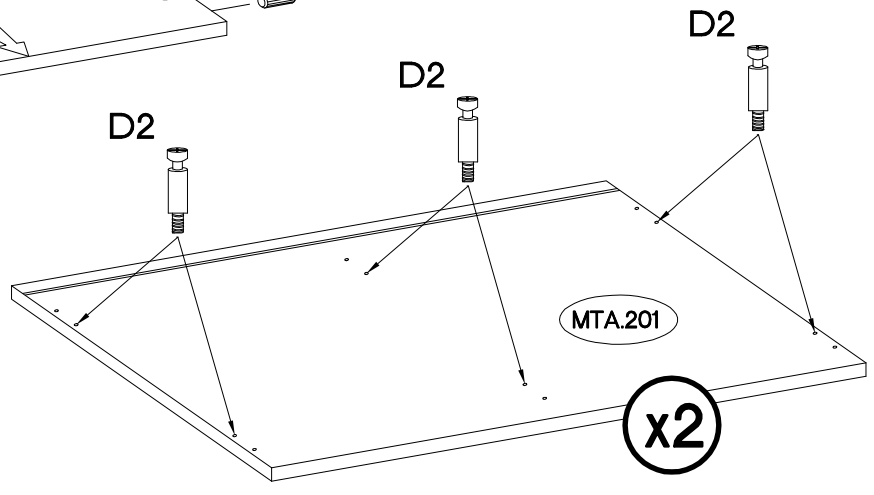
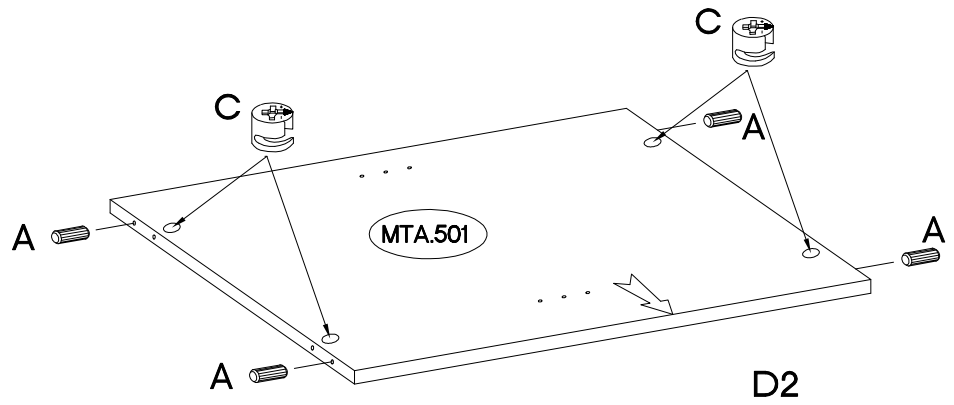
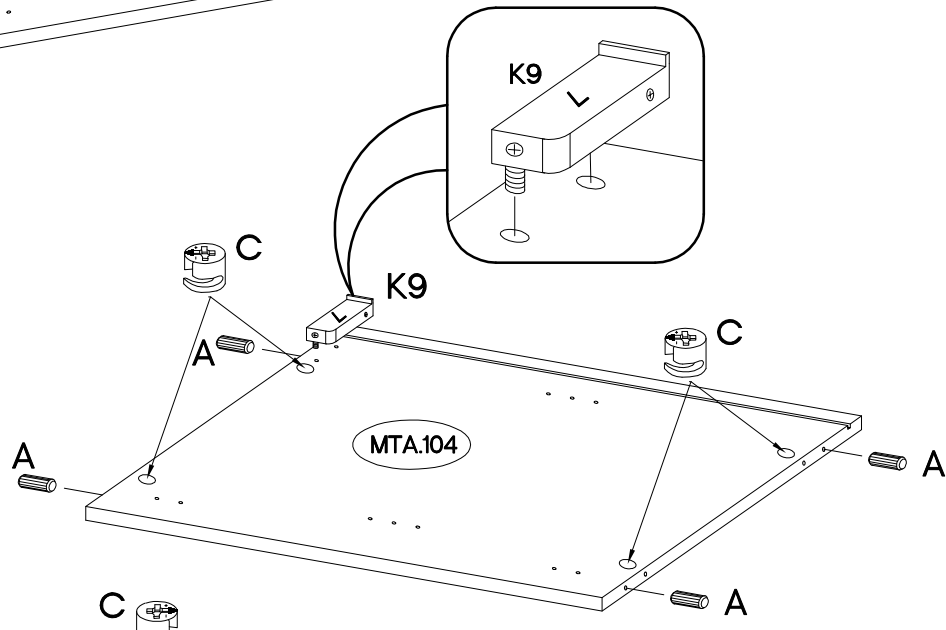
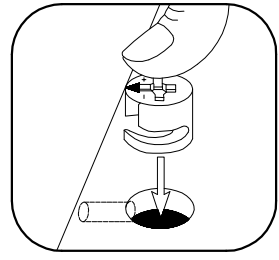
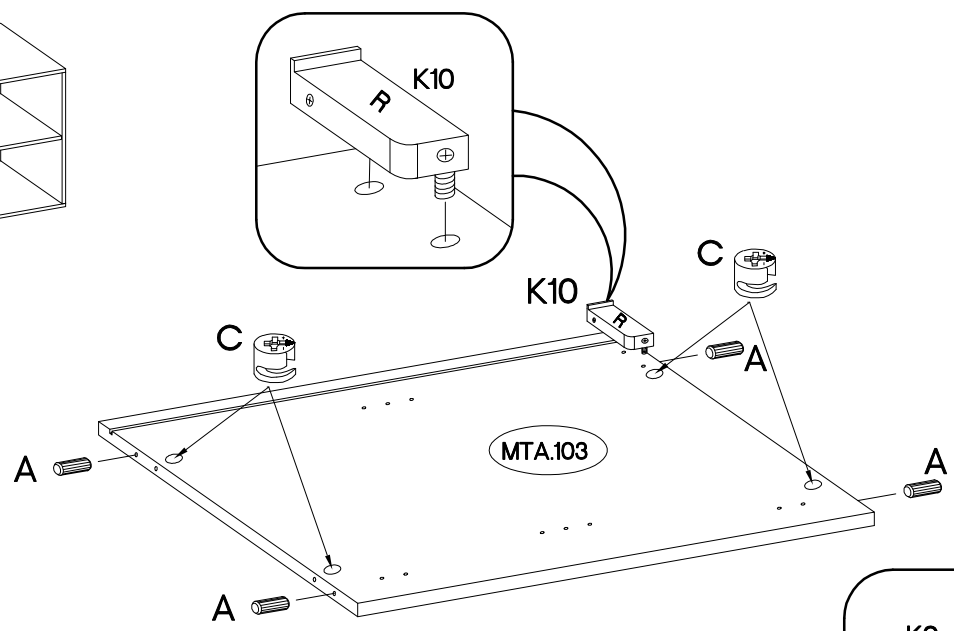
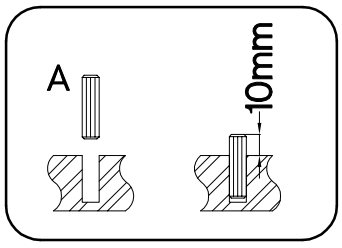
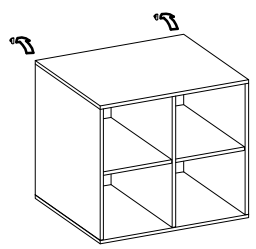
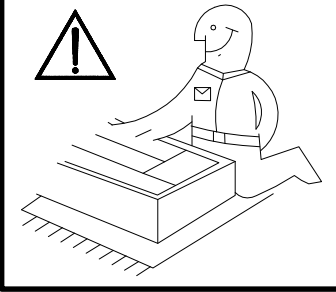


6

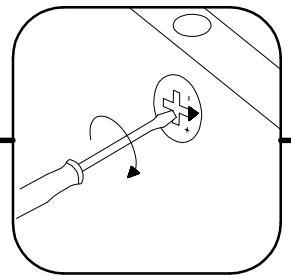
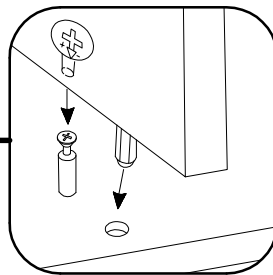
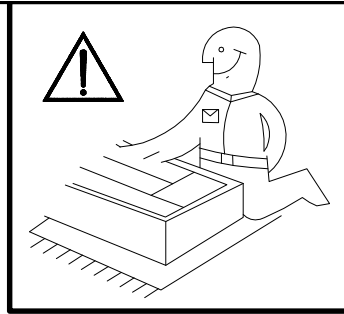
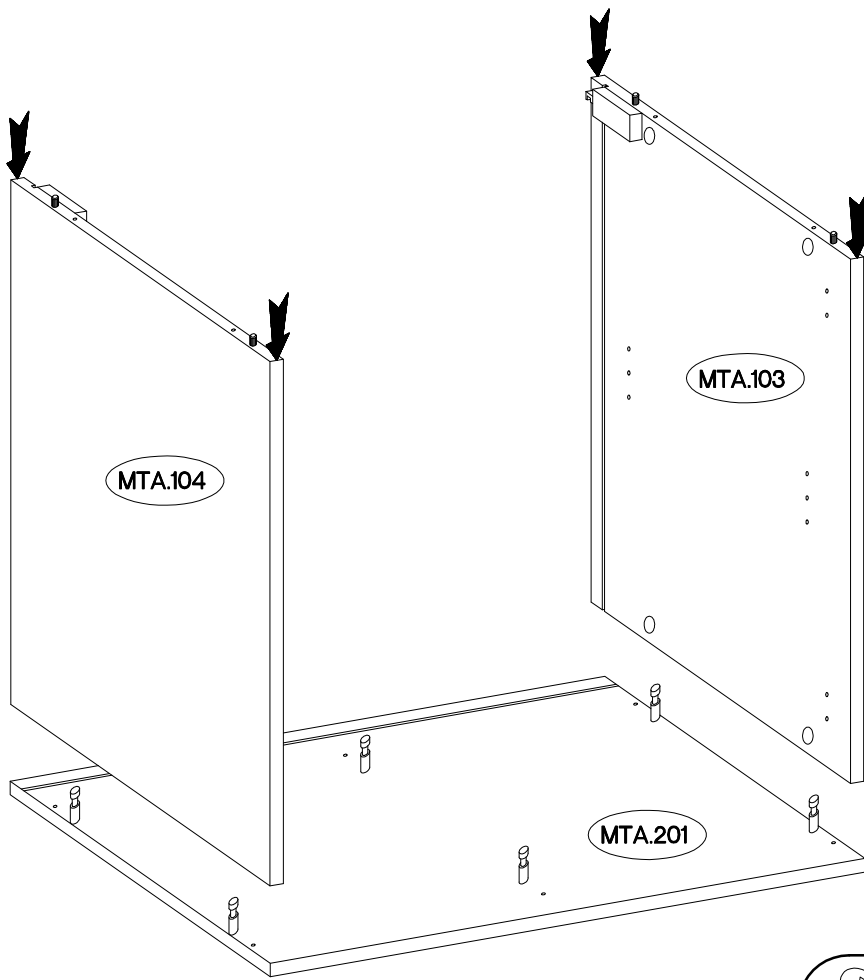
 J3 8	 E11 12
---	---



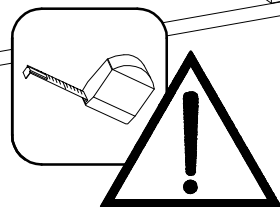
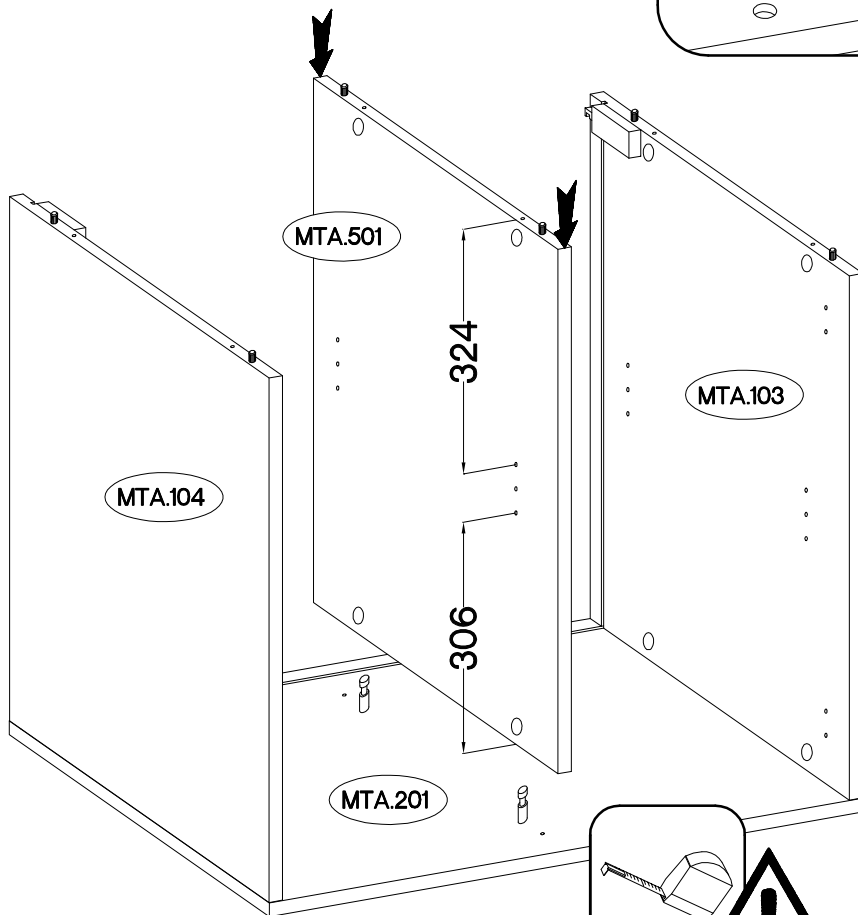
$\varnothing 8 \times 30\text{mm}$  A 12	L=20mm  D2 12	$\varnothing 15/12\text{mm}$  C 12	L  K9 1	R  K10 1
---	--	---	--	---



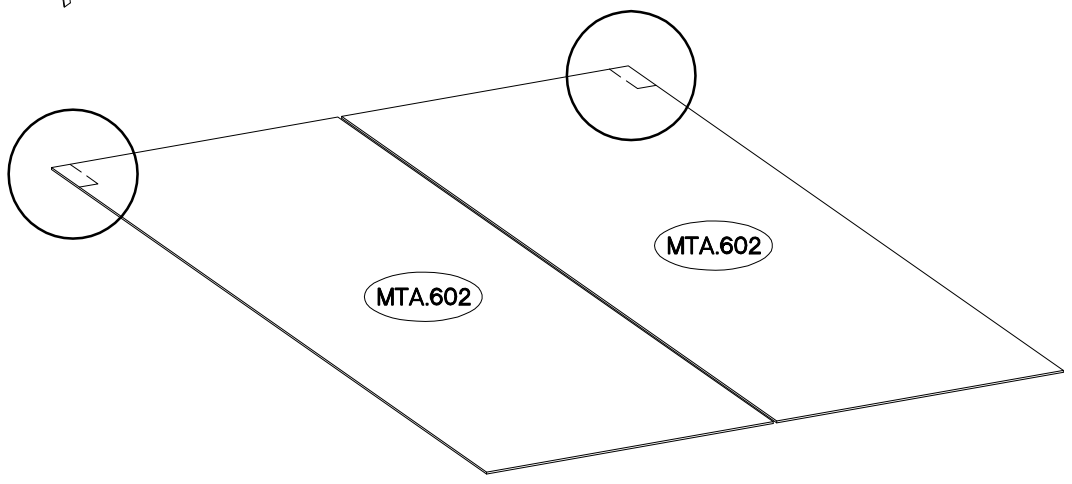
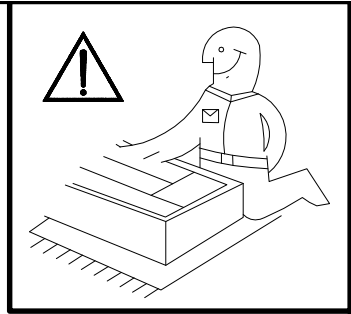
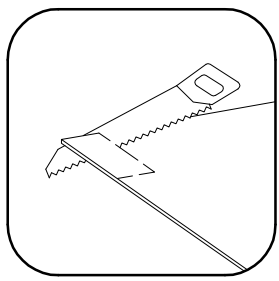
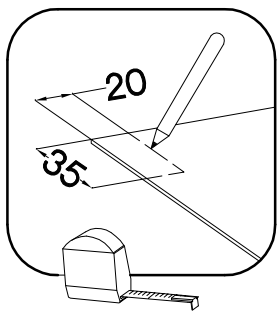
8



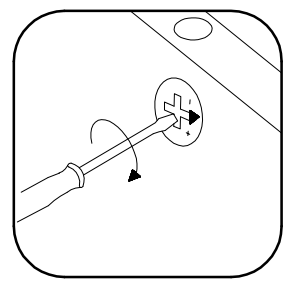
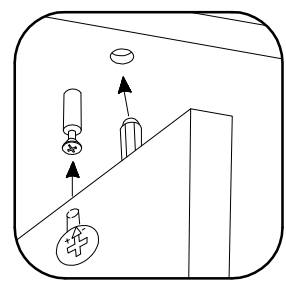
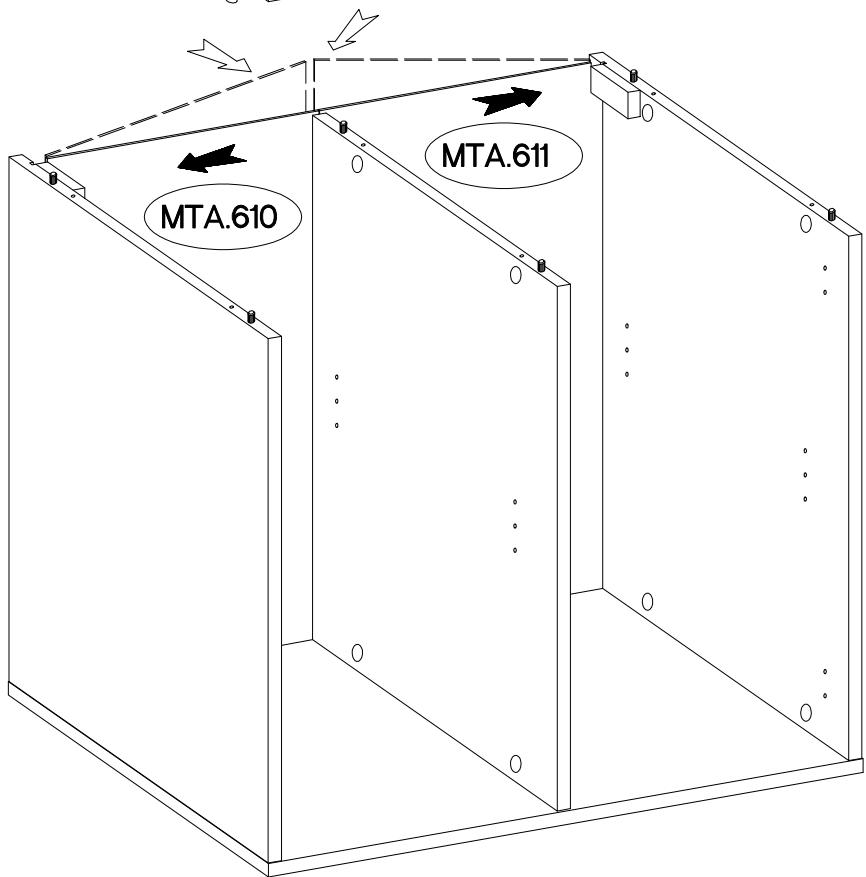
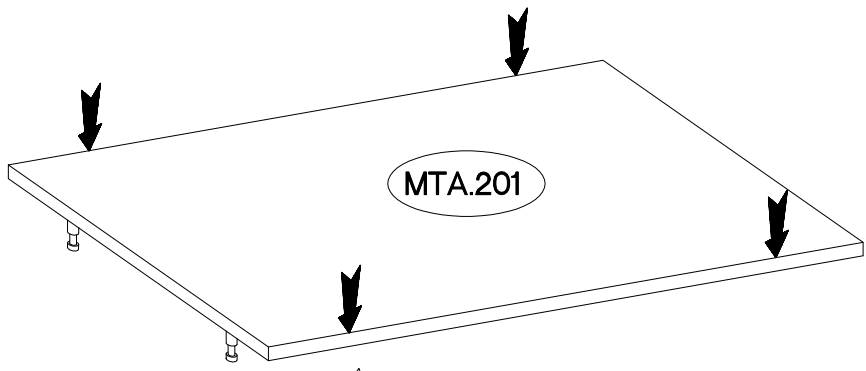
9


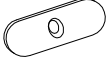
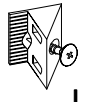


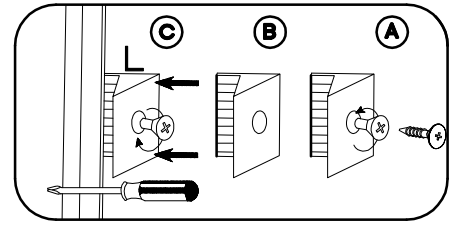
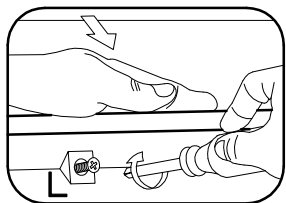
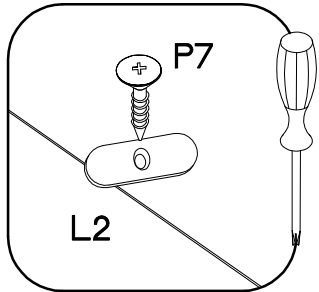
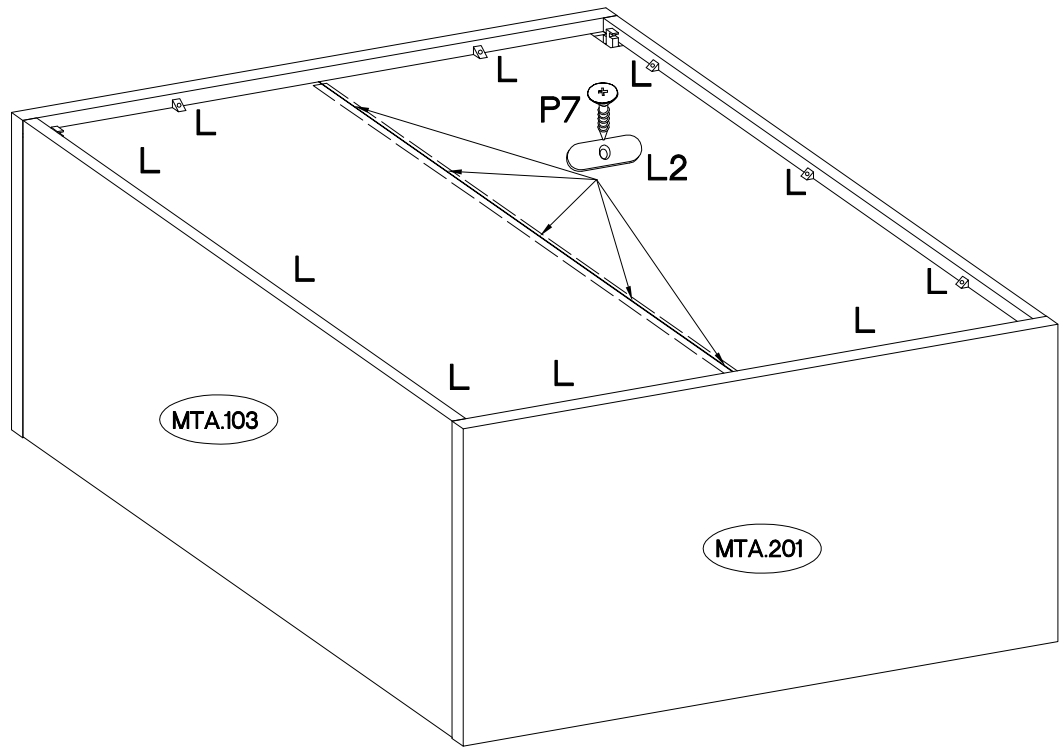
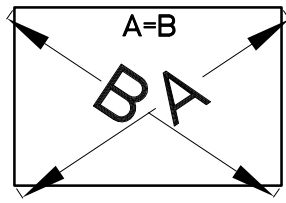
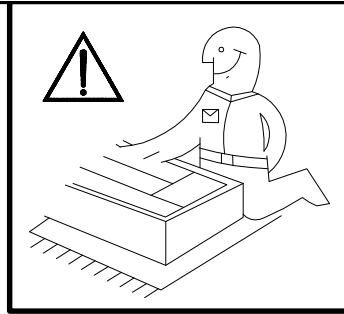
10



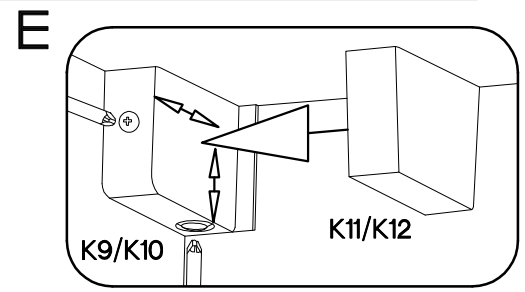
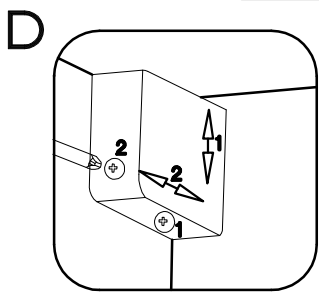
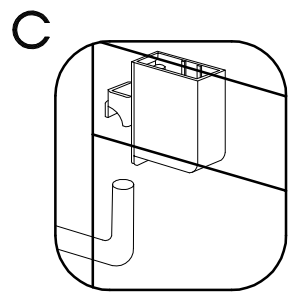
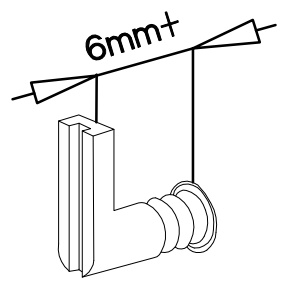
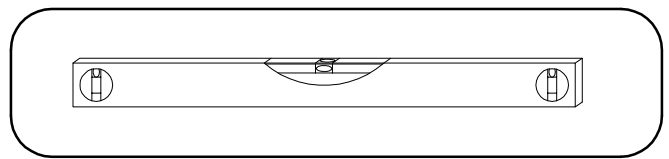
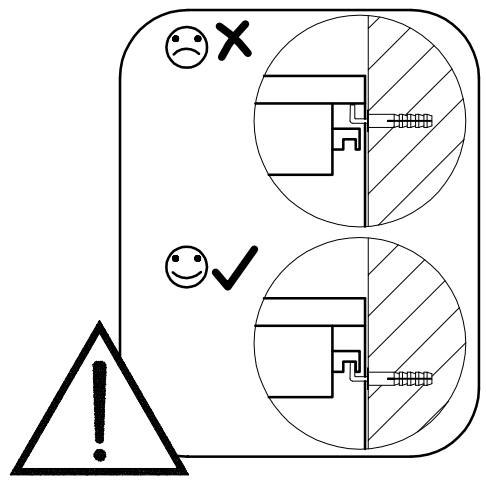
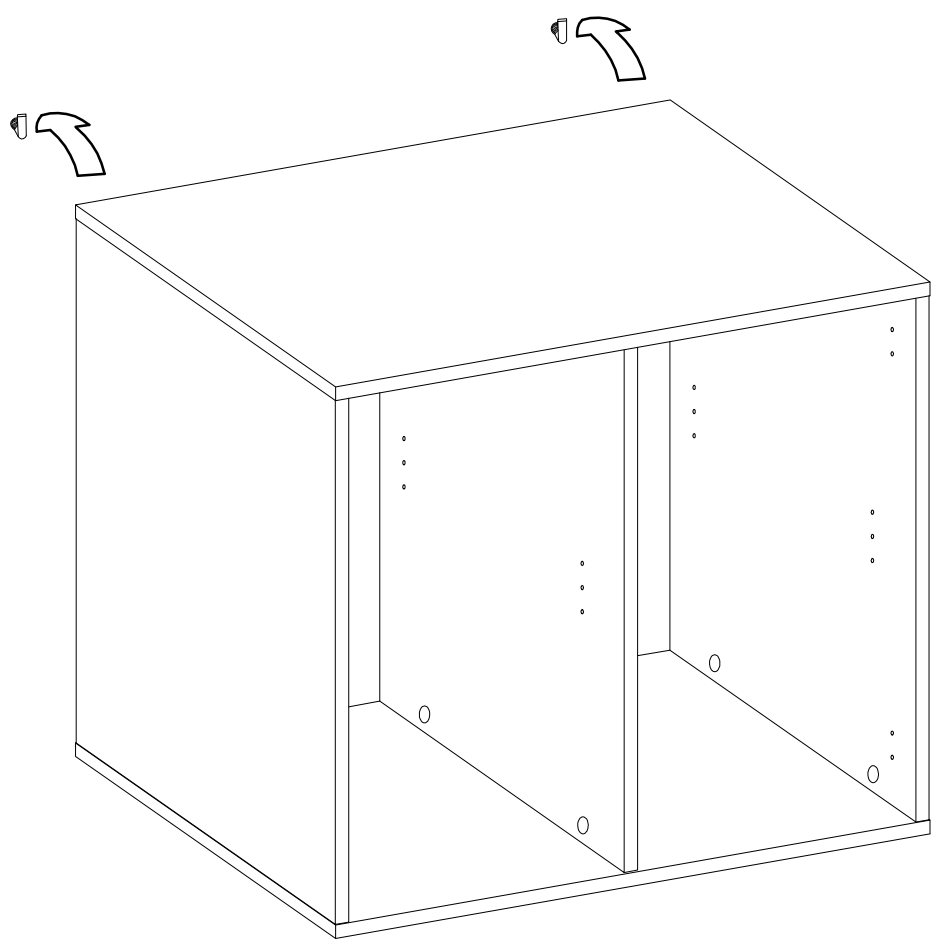
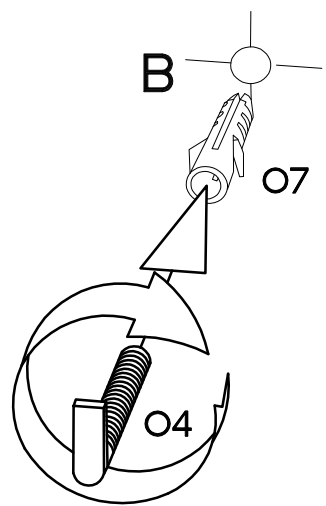
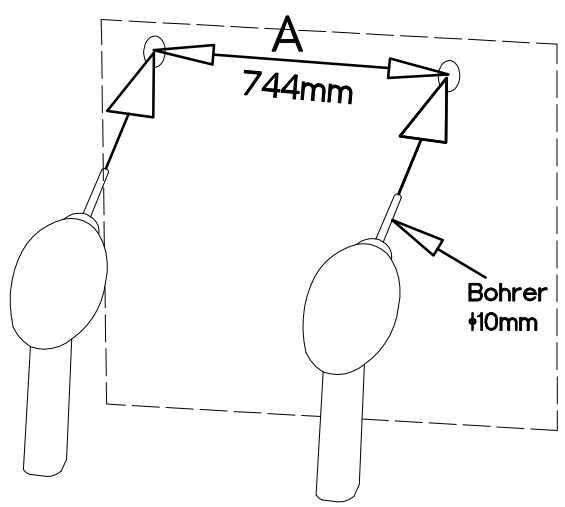
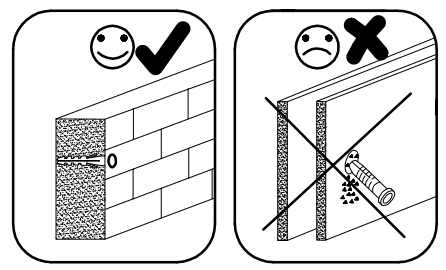
11

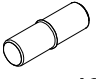
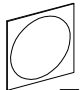


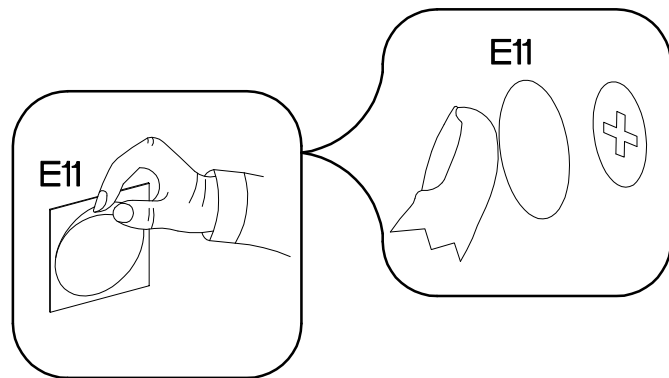
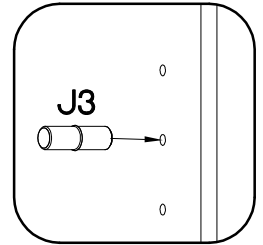
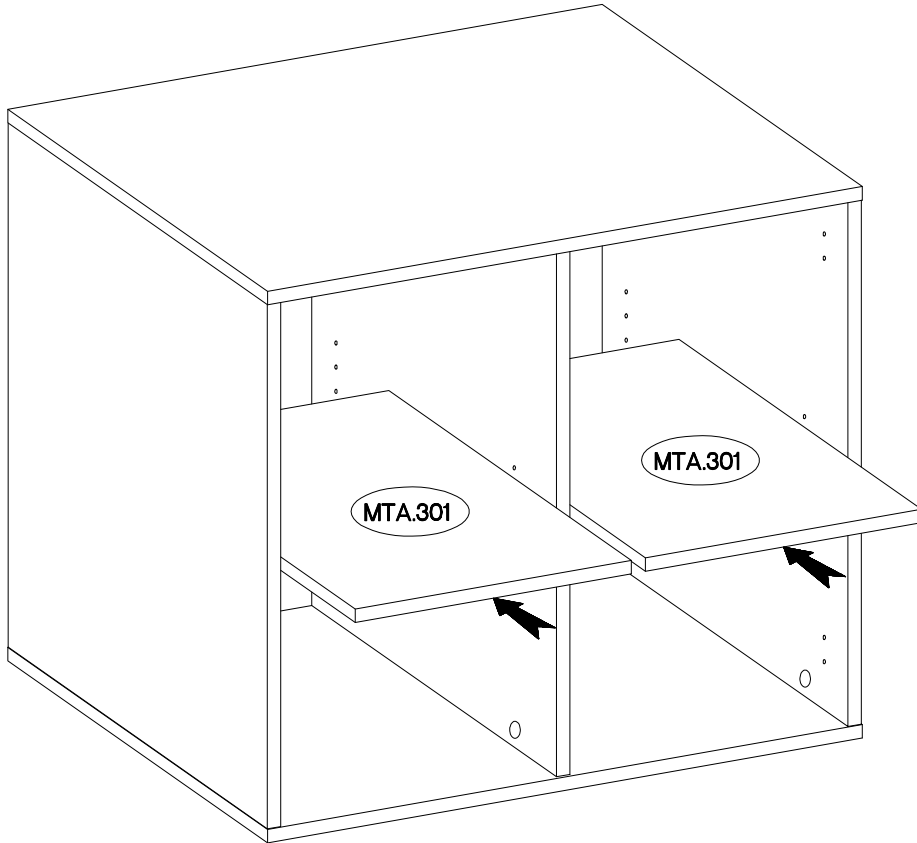
$\varnothing 3.0 \times 20 \text{mm}$  P7 5	 L2 5	 L 10
--	---	---



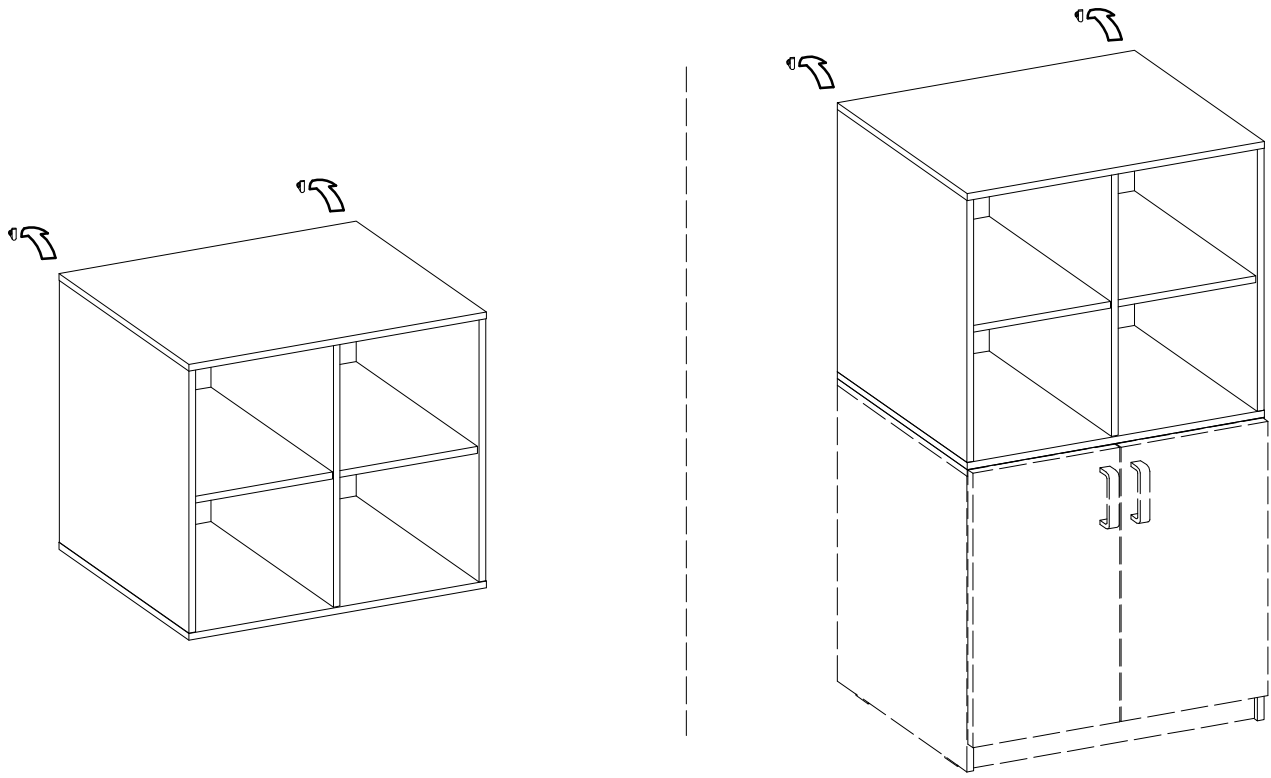
<p>Ø10x50mm O7</p>	<p>6,5/68mm O4</p>	<p>L K11</p>	<p>R K12</p>
2	2	1	1



$\pm 5/16\text{mm}$  J3 8	± 20  E11 12
--	---



15



16

