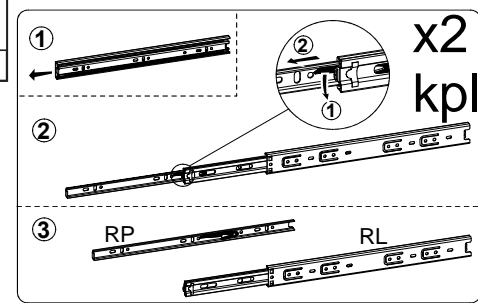
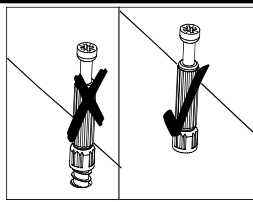
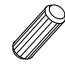


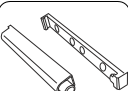

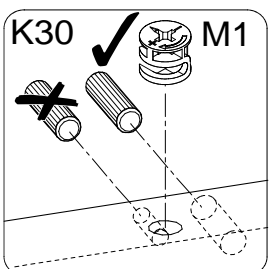
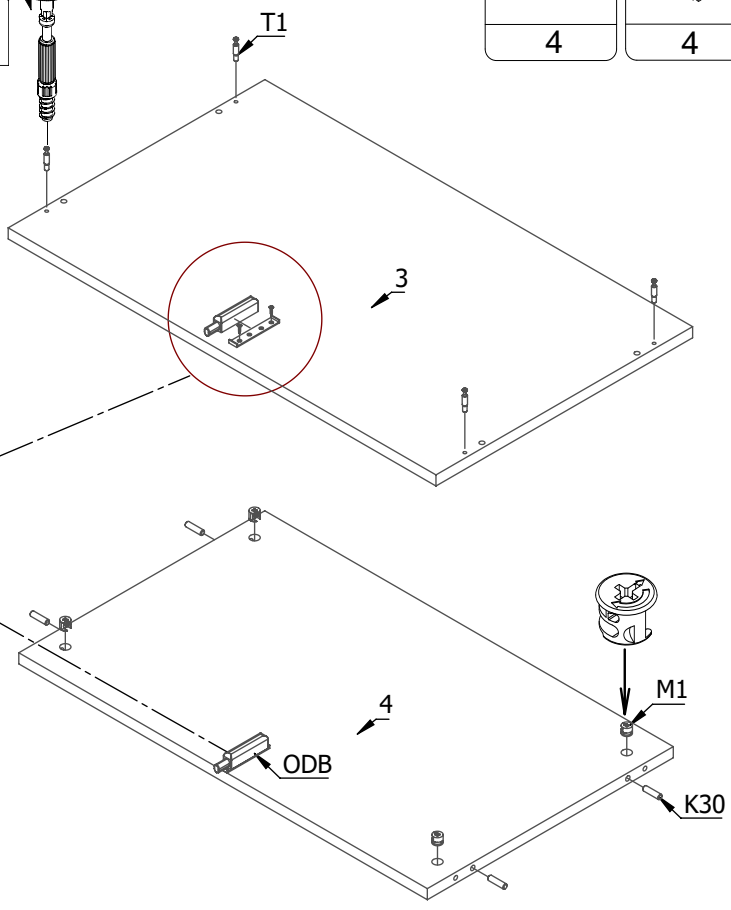
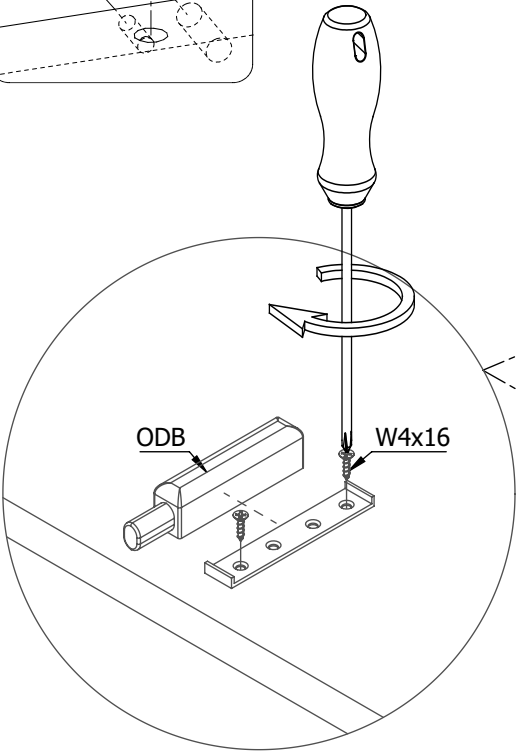
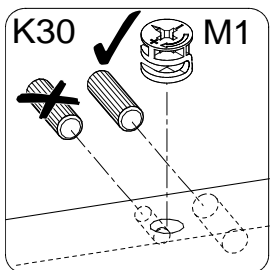






10x80 KR 4	KF50 6	Q 1	x 24	E5x13 16	ODB 2	x1 6
K30 14	T1 24	M1 24	CAM 2	ZA 2	W4x16 4	
WS 1	3x13 H3 2					

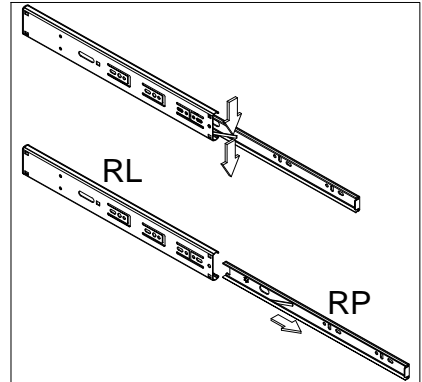
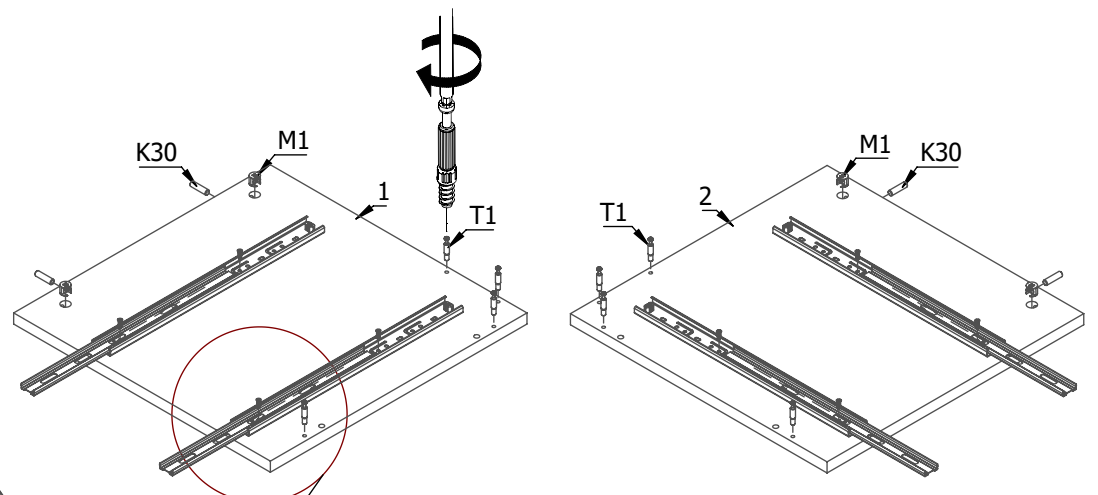
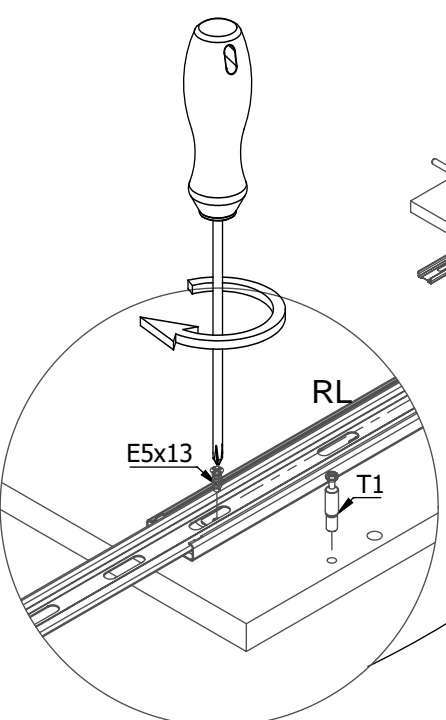









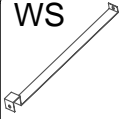



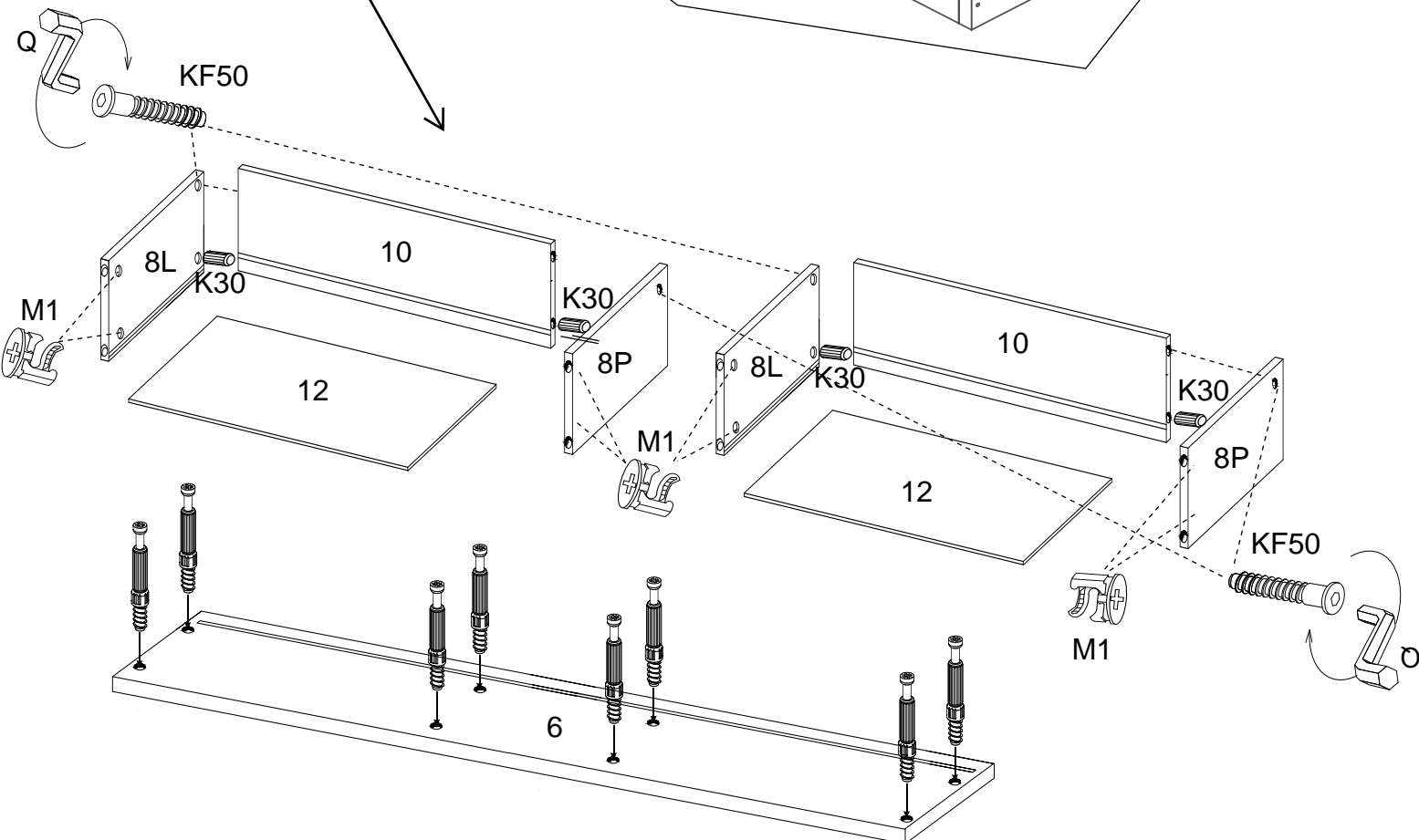
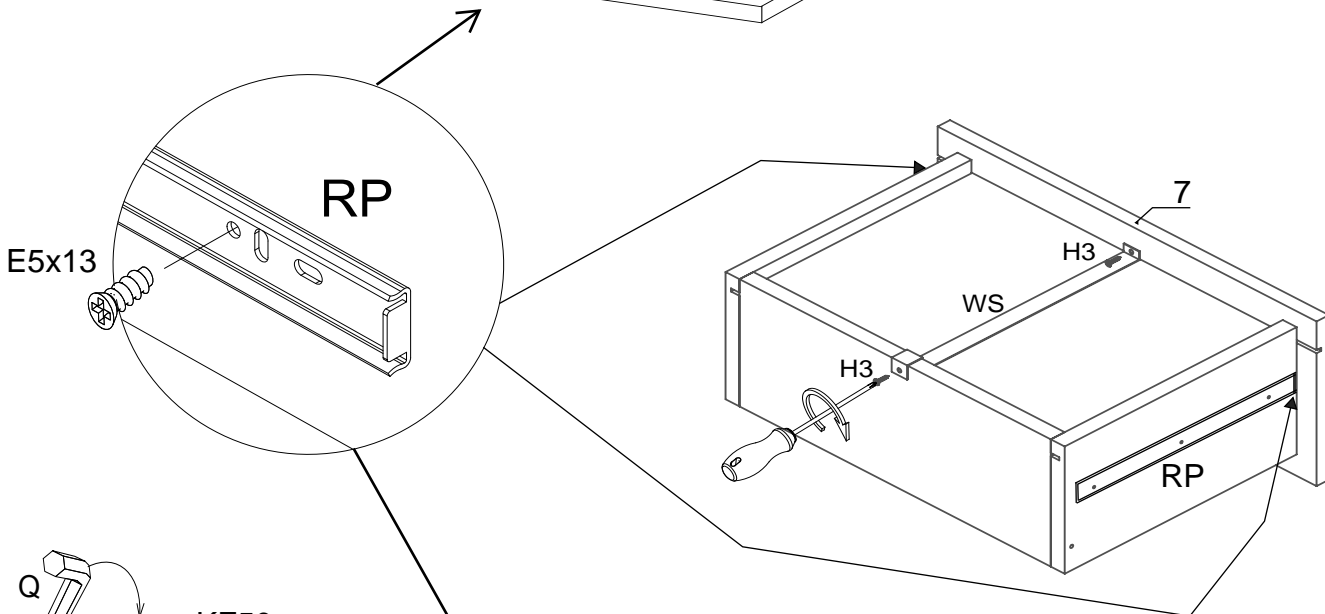
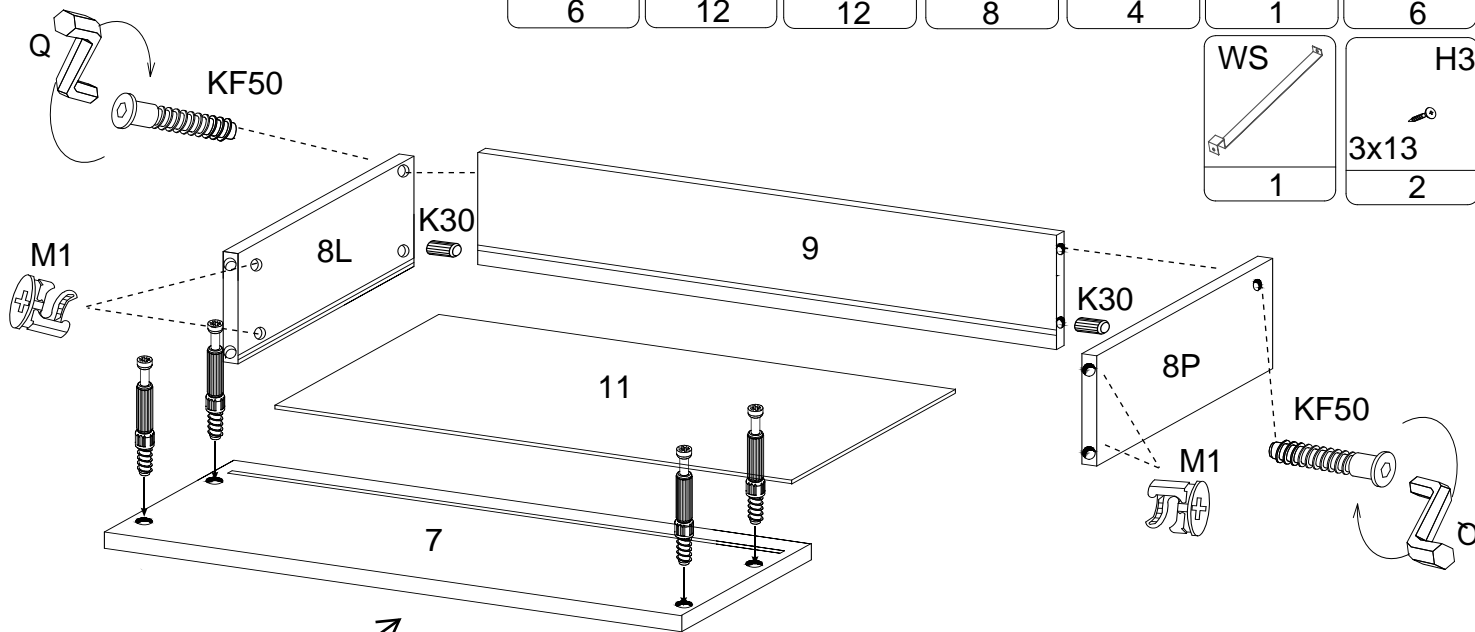
- |  |  |  |
|--|--|--|
| <b>K30</b><br><br>4    | <b>M1</b><br><br>4 | <b>T1</b><br><br>4 |
| <b>ODB</b><br><br>2   |  |  |
| <b>W4x16</b><br><br>4 |  |  |

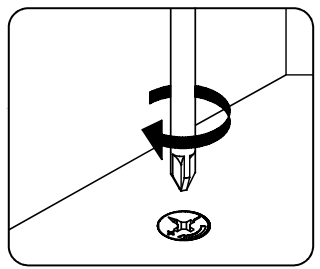
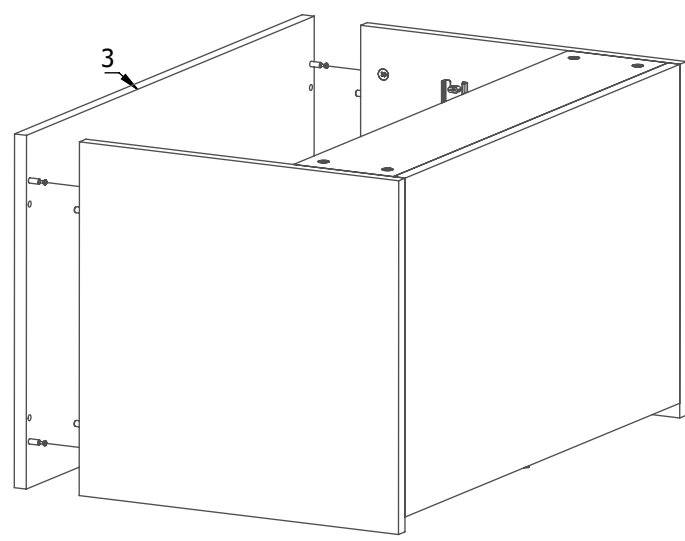
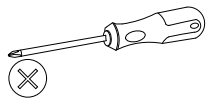
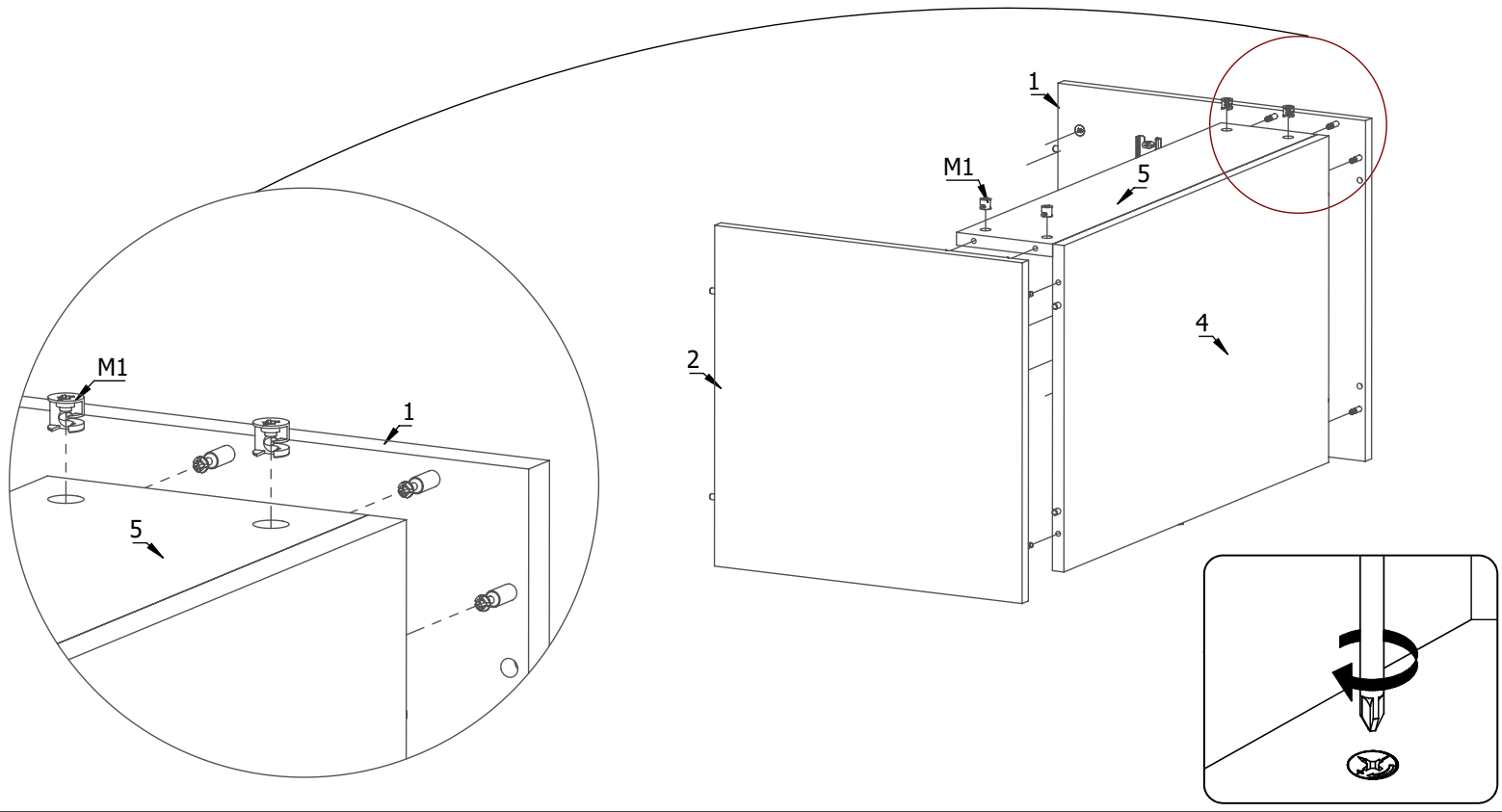
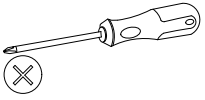


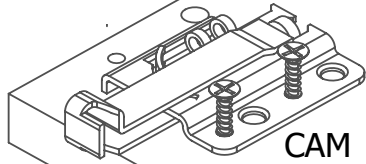
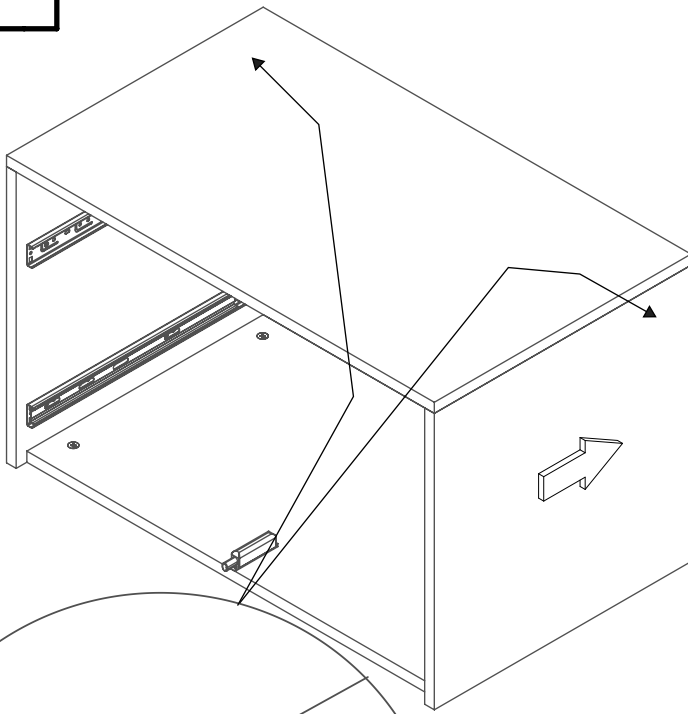
- |  |   |   |  |
|--|---|---|--|
| <b>K30</b><br><br>4 | <b>M1</b><br><br>4 | <b>T1</b><br><br>8 | <b>E5x13</b><br><br>8 |
|--|---|---|--|


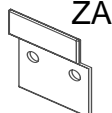



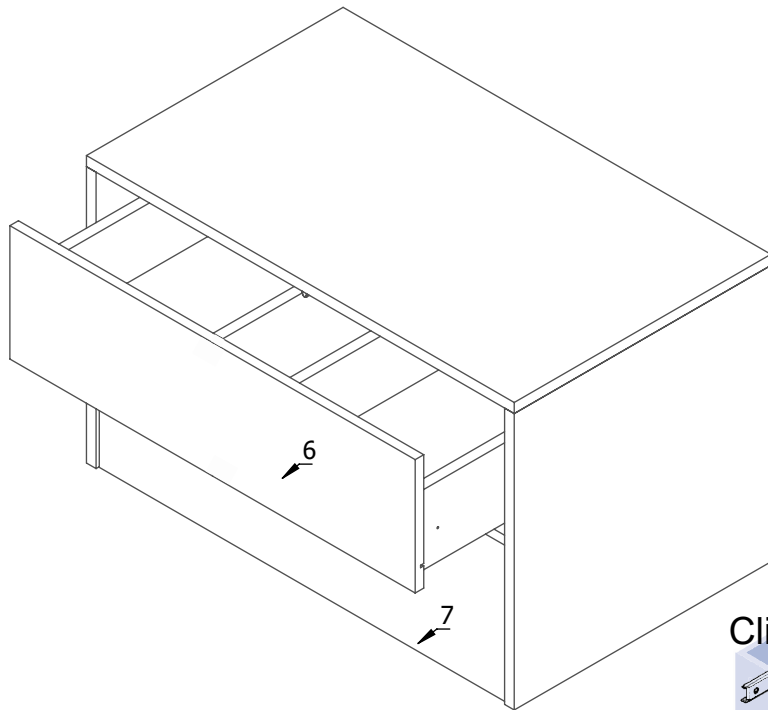
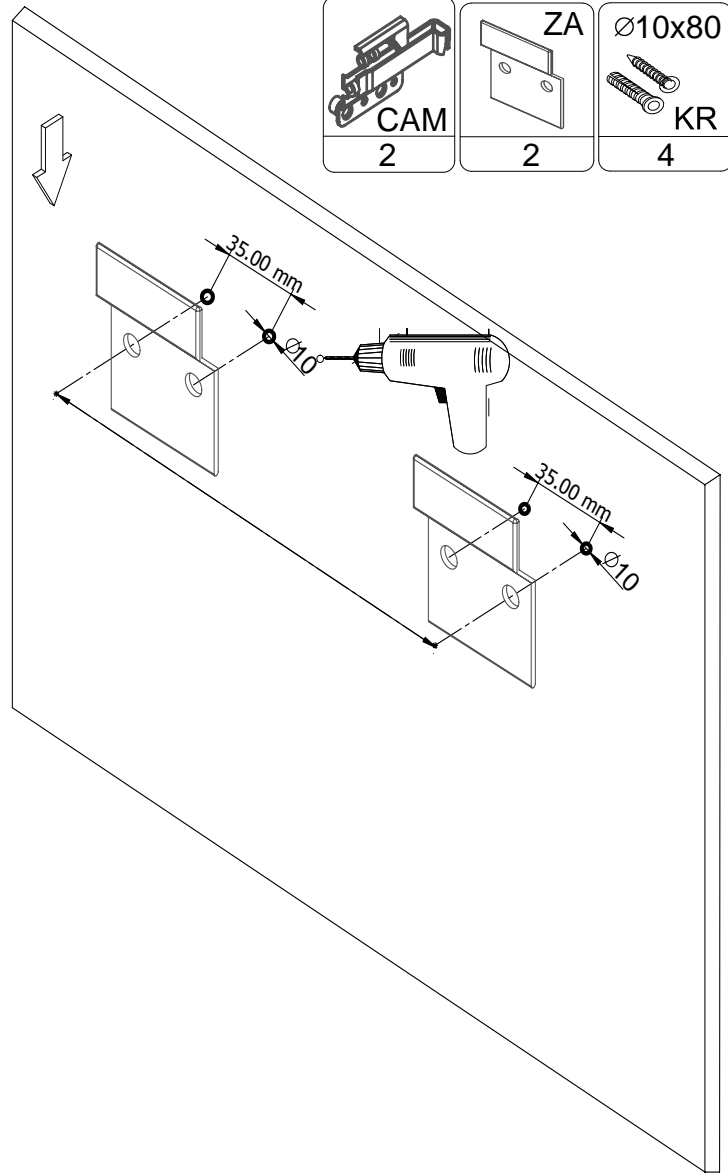
K30  6	M1  12	T1  12	E5x13  8	RP  4	Q  1	KF50  6
					WS  1	H3  2

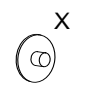






 CAM 2	 ZA 2	 Ø10x80 KR 4
--	---	---



 x
24

