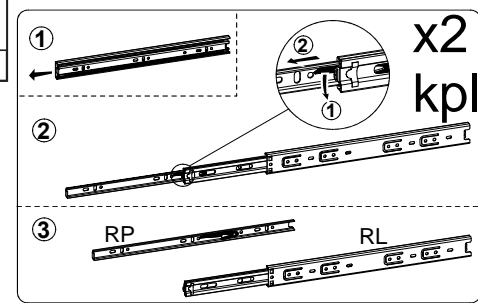
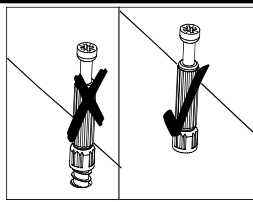
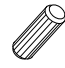


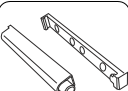

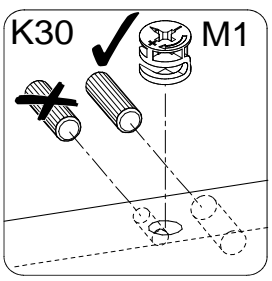
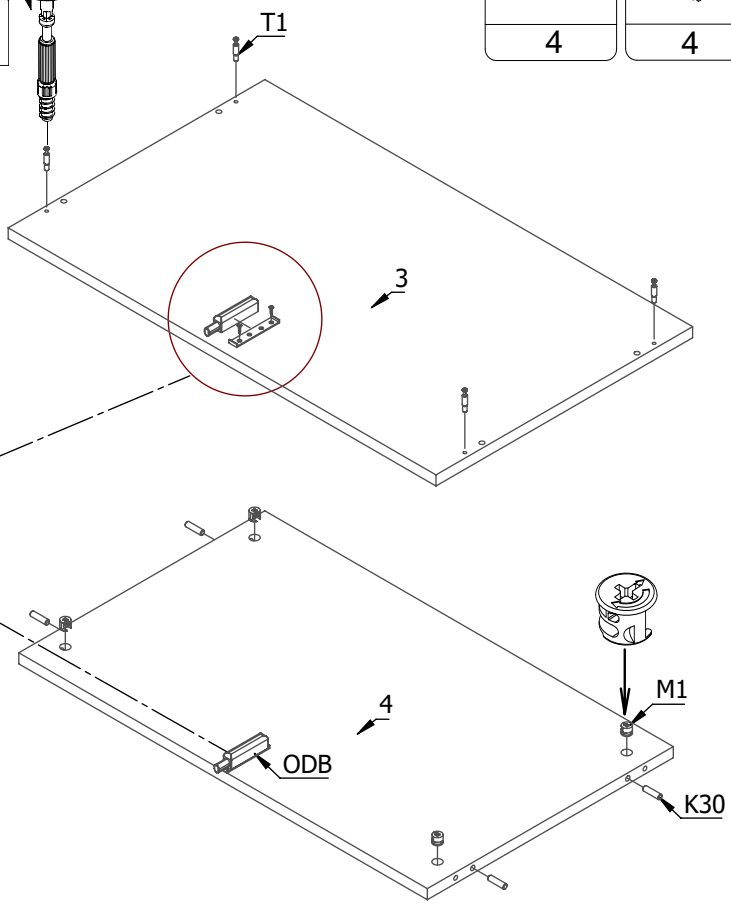
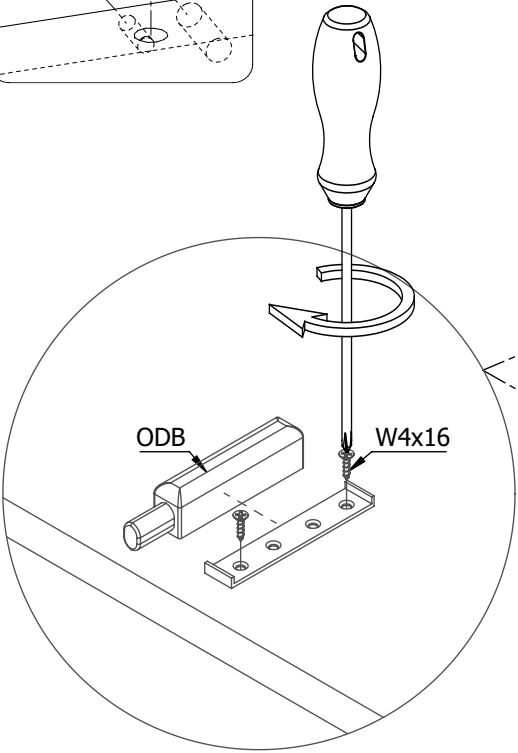
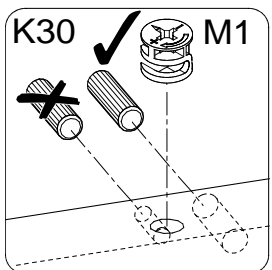






<p>10x80</p> <p>KR 4</p>	<p>KF50</p> <p>6</p>	<p>Q</p> <p>1</p>	<p>x</p> <p>24</p>	<p>E5x13</p> <p>16</p>	<p>ODB</p> <p>2</p>	<p>x1</p> <p>6</p>
<p>K30</p> <p>14</p>	<p>T1</p> <p>24</p>	<p>M1</p> <p>24</p>	<p>CAM</p> <p>2</p>	<p>ZA</p> <p>2</p>	<p>W4x16</p> <p>4</p>	<p>x2</p> <p>kp!</p>

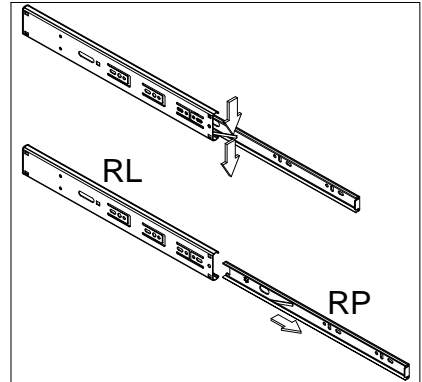
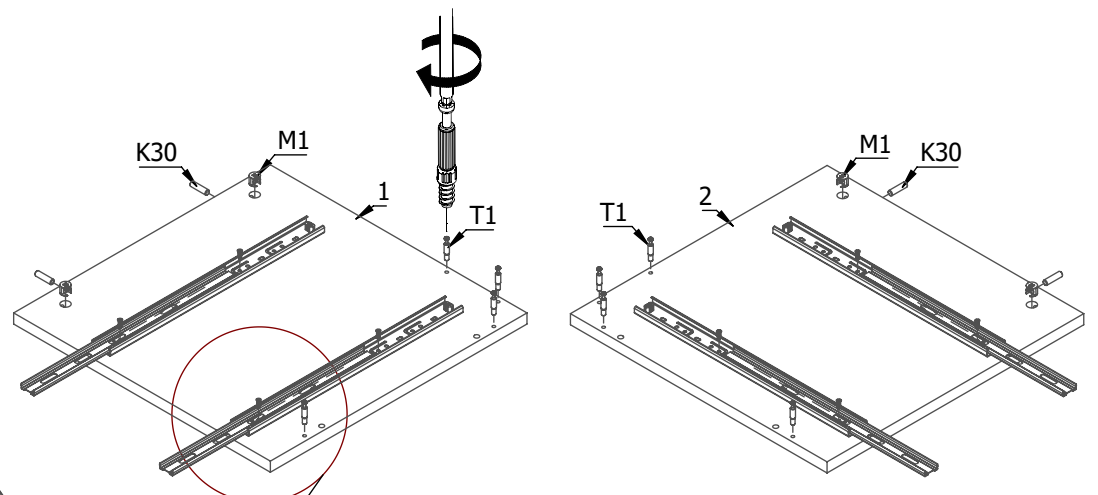
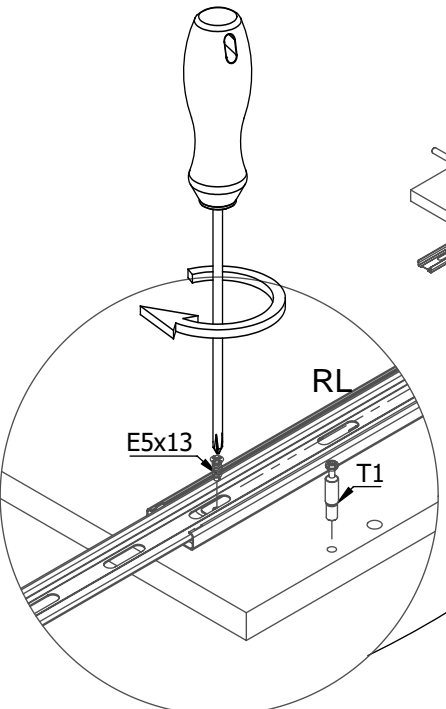











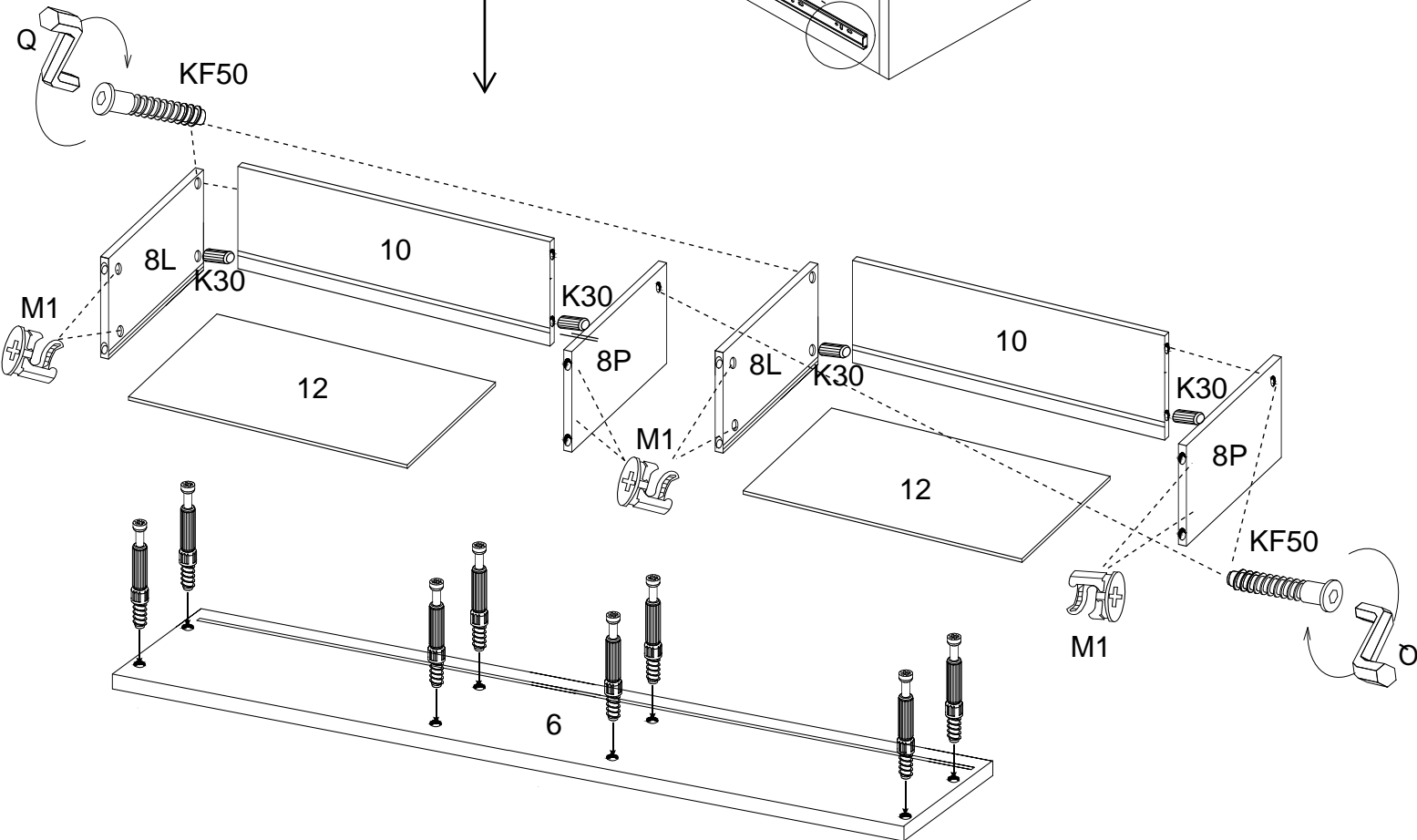
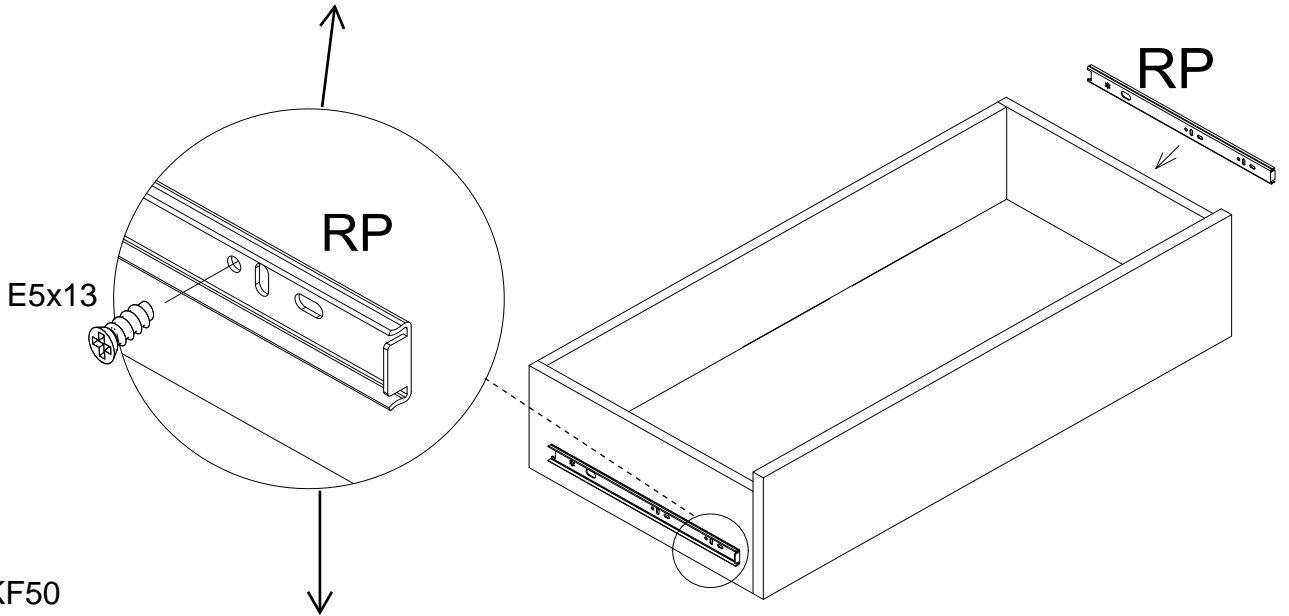
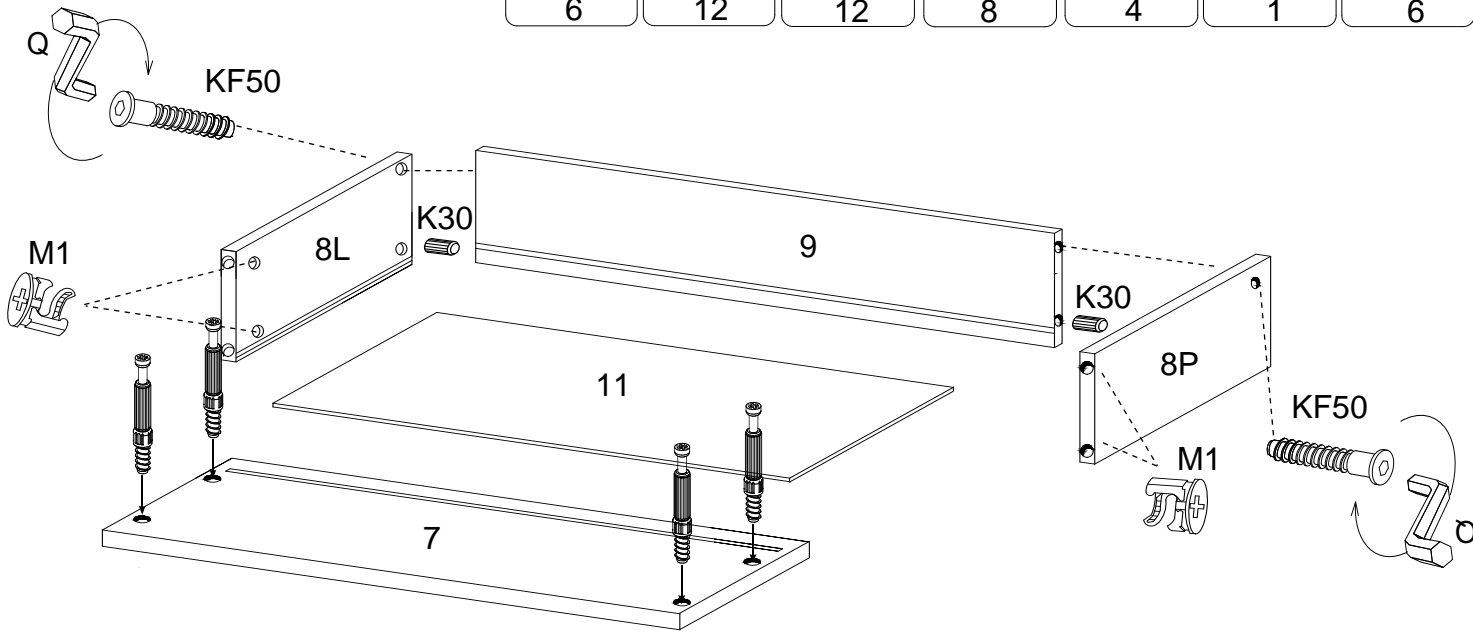
K30  4	M1  4	T1  4
ODB  2		
W4x16  4		

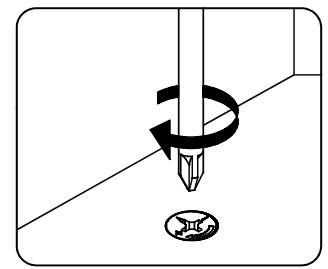
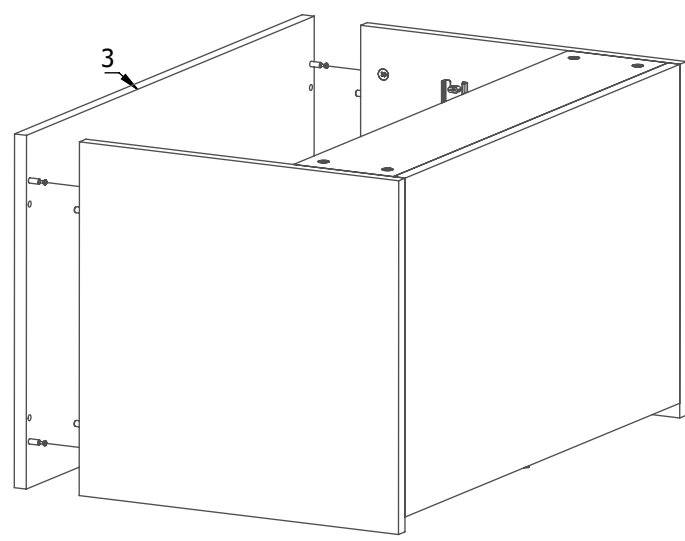
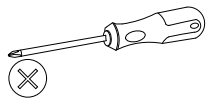
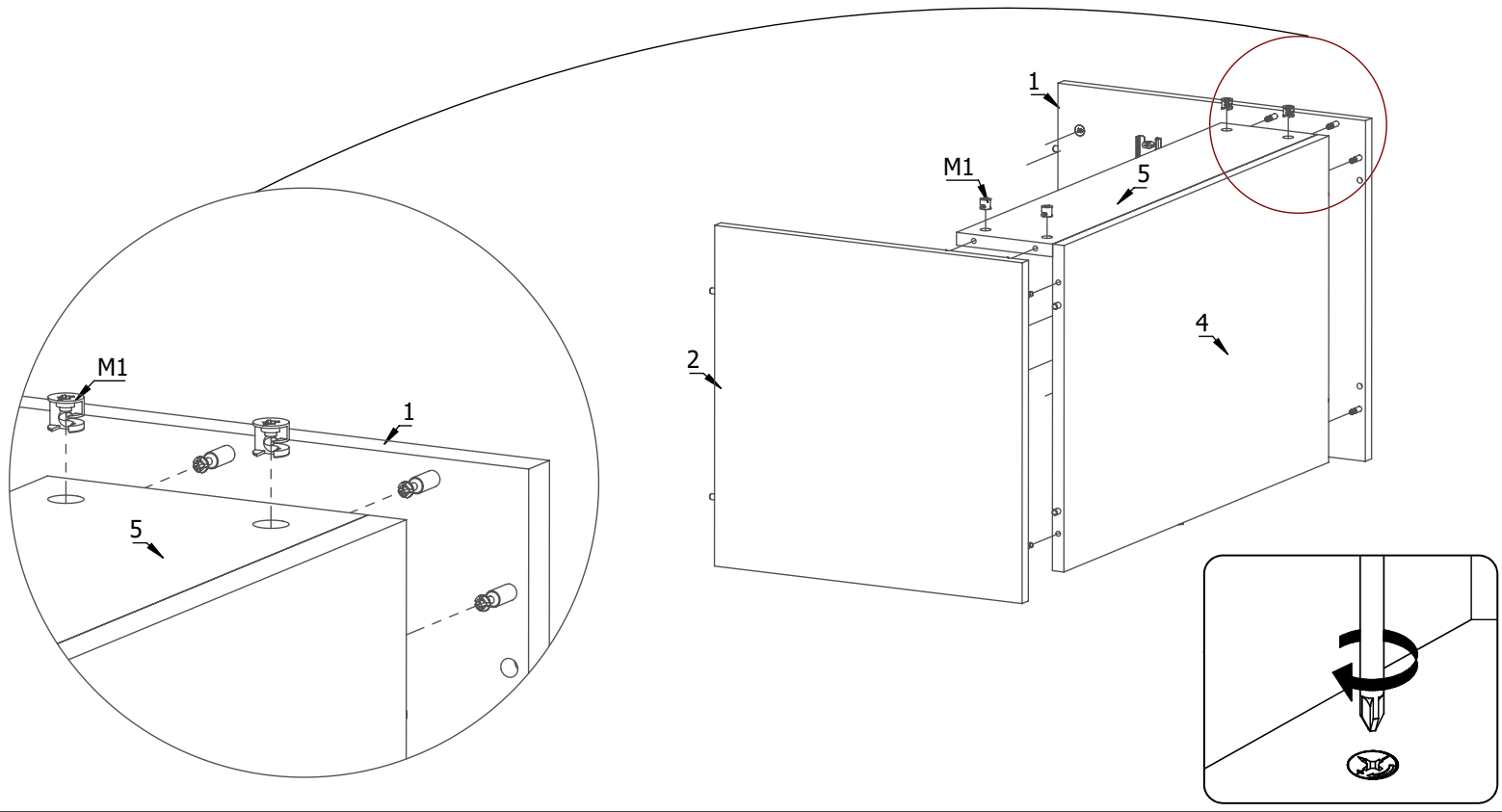
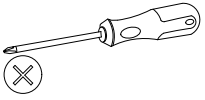


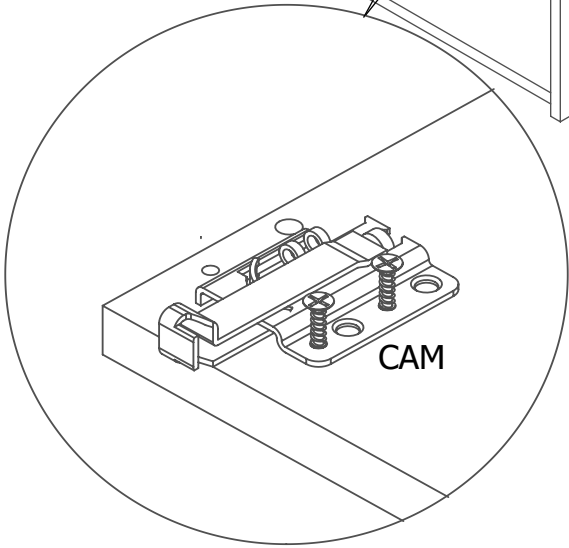
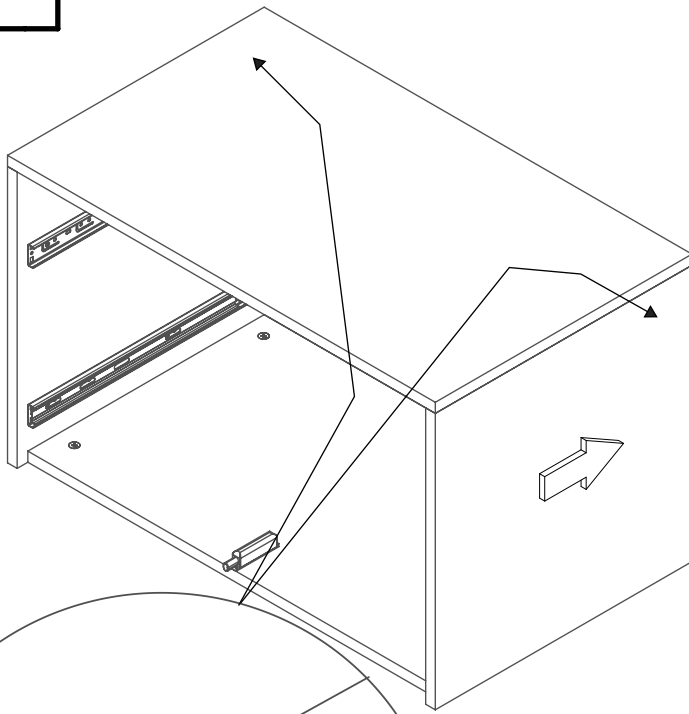
K30  4	M1  4	T1  8	E5x13  8
--	---	---	--


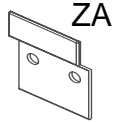



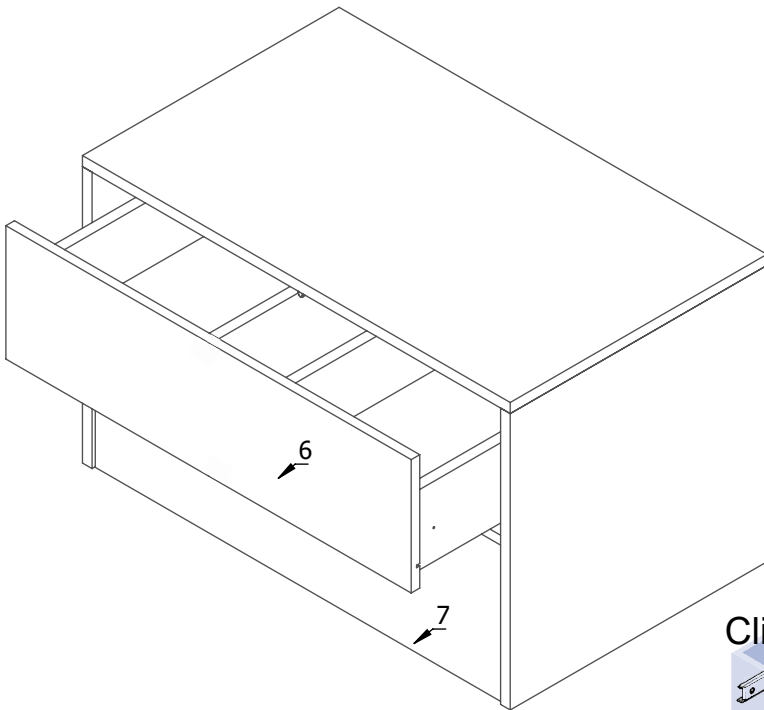
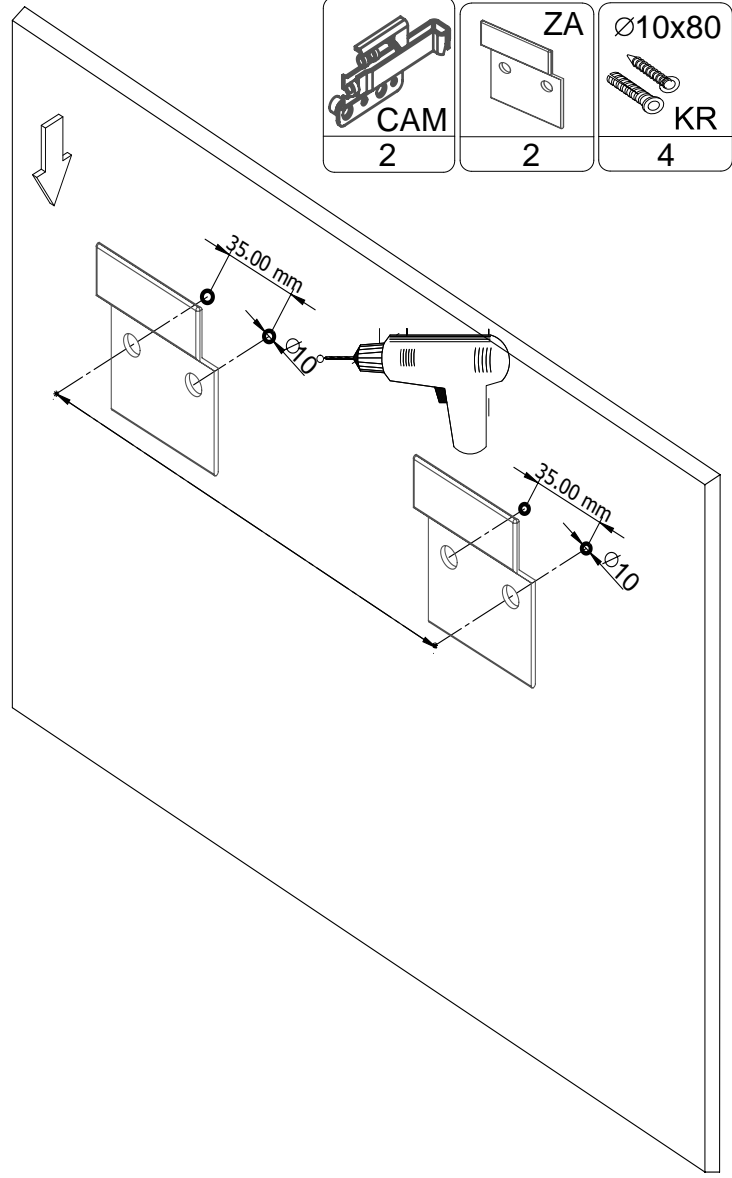
K30  6	M1  12	T1  12	E5x13  8	RP  4	Q  1	KF50  6
--	--	--	--	---	--	---








 CAM 2	 ZA 2	 Ø10x80 KR 4
--	---	---



 x
24

