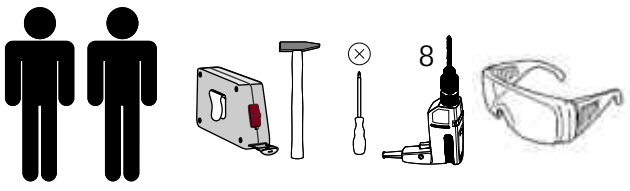
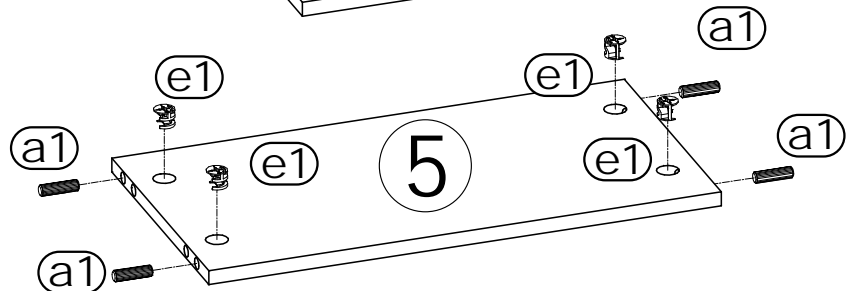
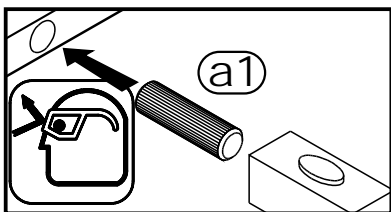
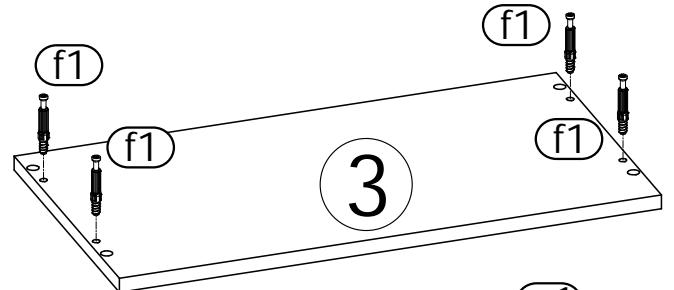
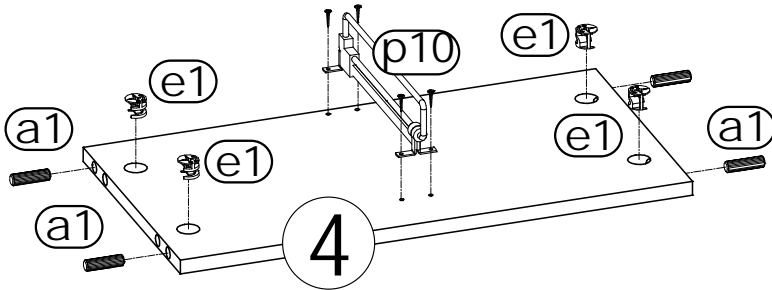
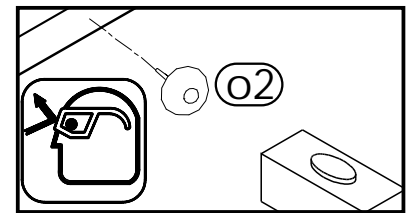
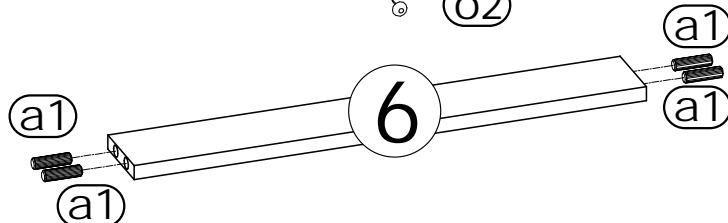
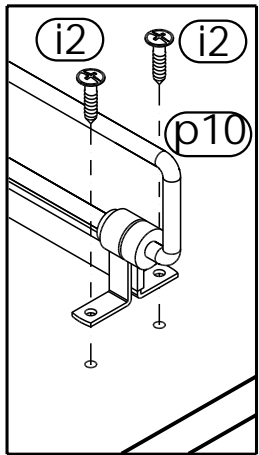
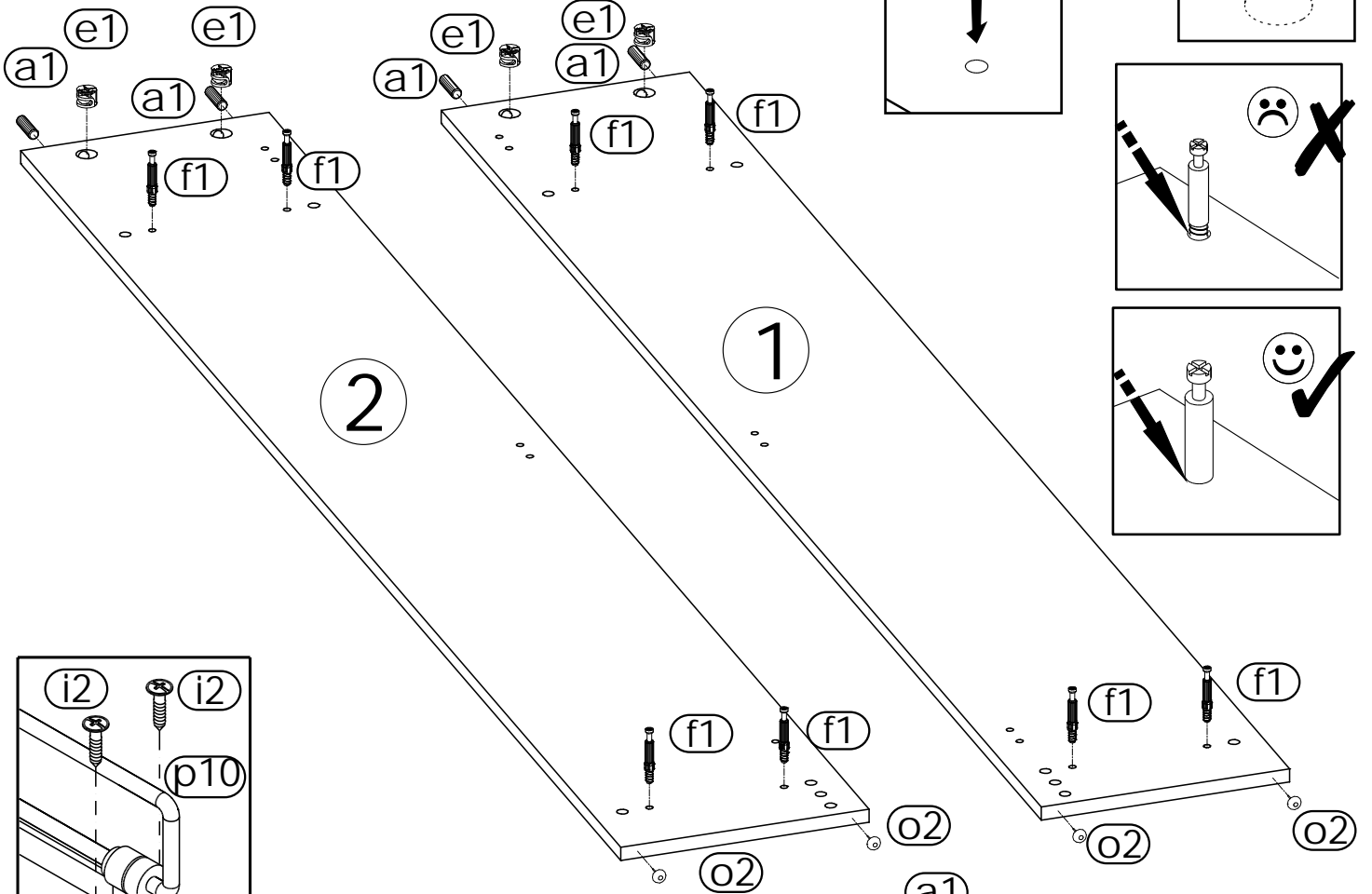
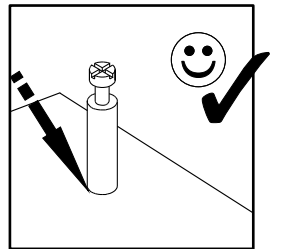
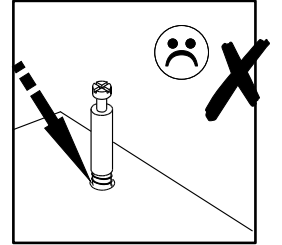
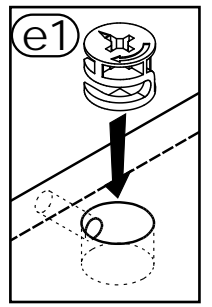
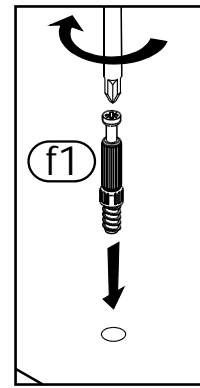
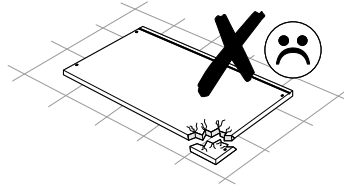
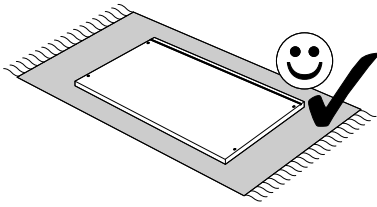


<b>a1</b> 8x35 x....(x16)	<b>b0</b> x....(x3)	<b>b1</b> x....(x3)		
<b>c1</b> Euro 4x13 x....(x6)	<b>e0</b> x....(x12)	<b>e1</b> x....(x12)	<b>f1</b> x....(x12)	
<b>h2</b> x....(x1)				
<b>i4</b> 3.5x27 x....(x3)	<b>i2</b> 4x16 x....(x5)	<b>m</b> x....(x1)	<b>n1</b> 3x16 x....(x40)	<b>o2</b> x....(x4)
<b>p0</b> x....(x6)	<b>p10</b> L-250 x....(x1)	<b>q</b> x....(x1)		

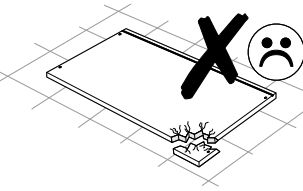
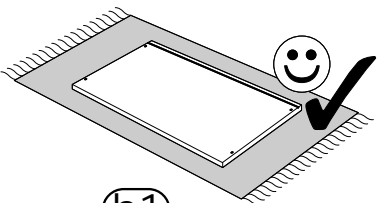
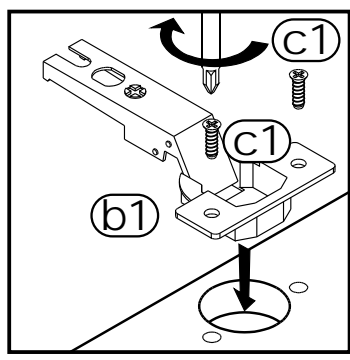


- ① - C2    ⑤ - C1
  - ② - C2    ⑥ - C2
  - ③ - C1    ⑦ - C2
  - ④ - C1    ⑧ - C2
- C1 = 1/2
- C2 = 2/2

1



2



(b1)

(b1)

(c1)

(b1)

(b1)

7

(i4)

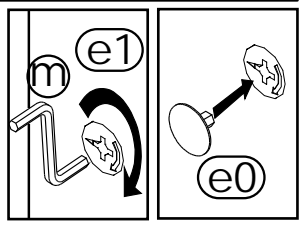
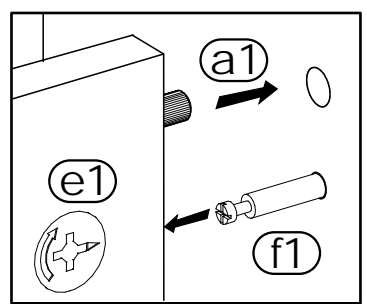
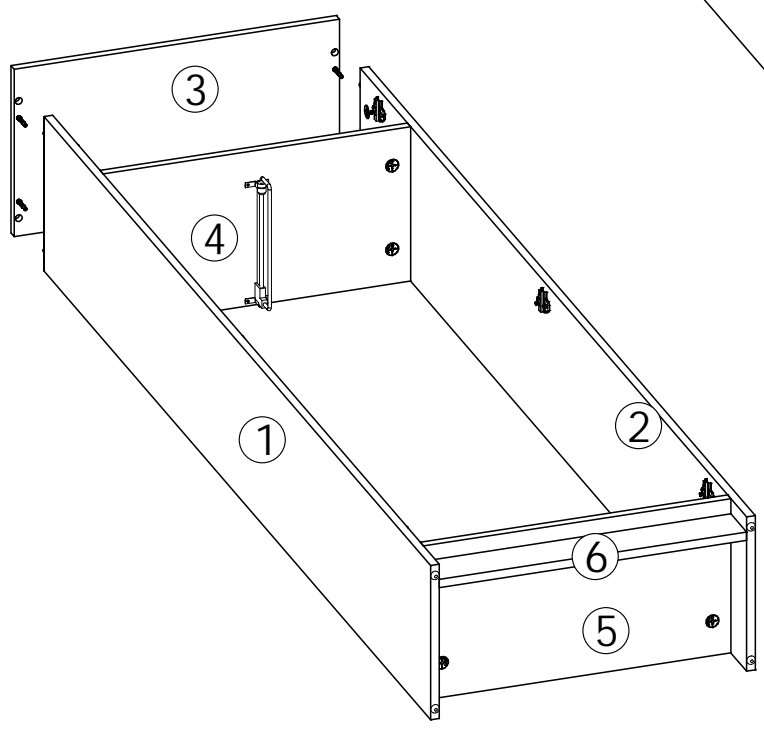
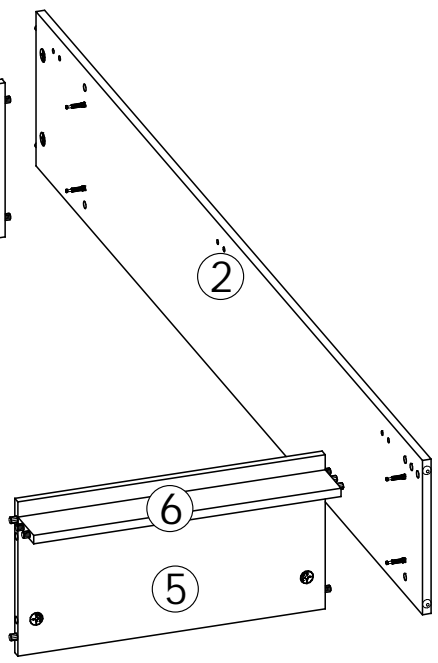
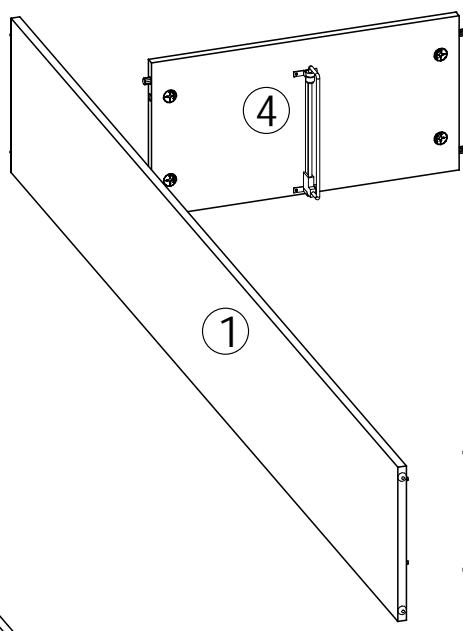
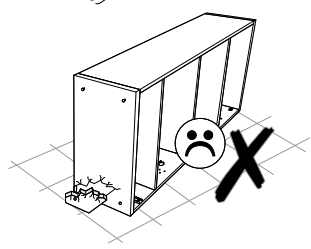
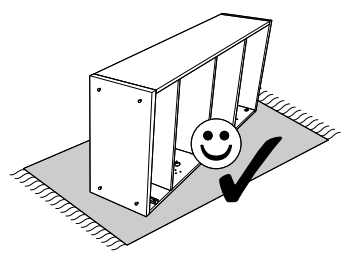
(i4)

(i4)

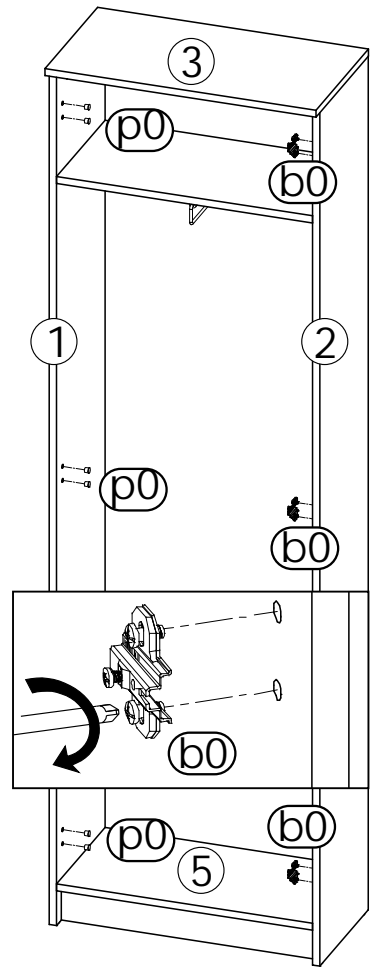
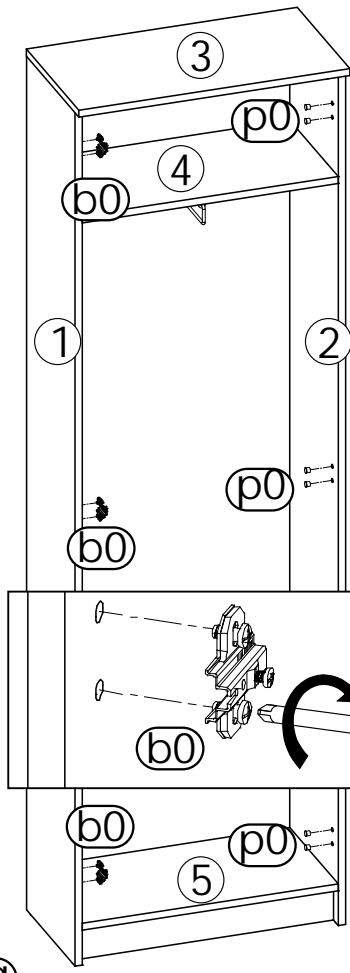
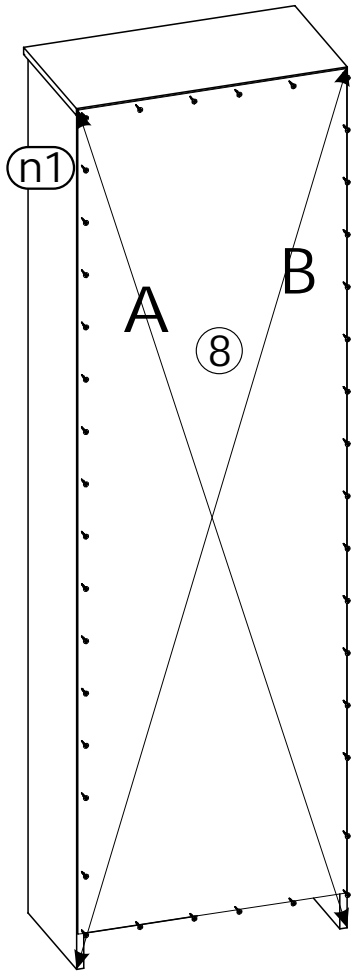
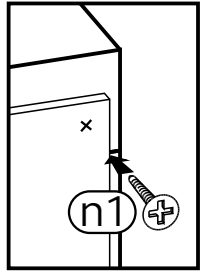
(h2)



3



4  
▼



5  
▼

