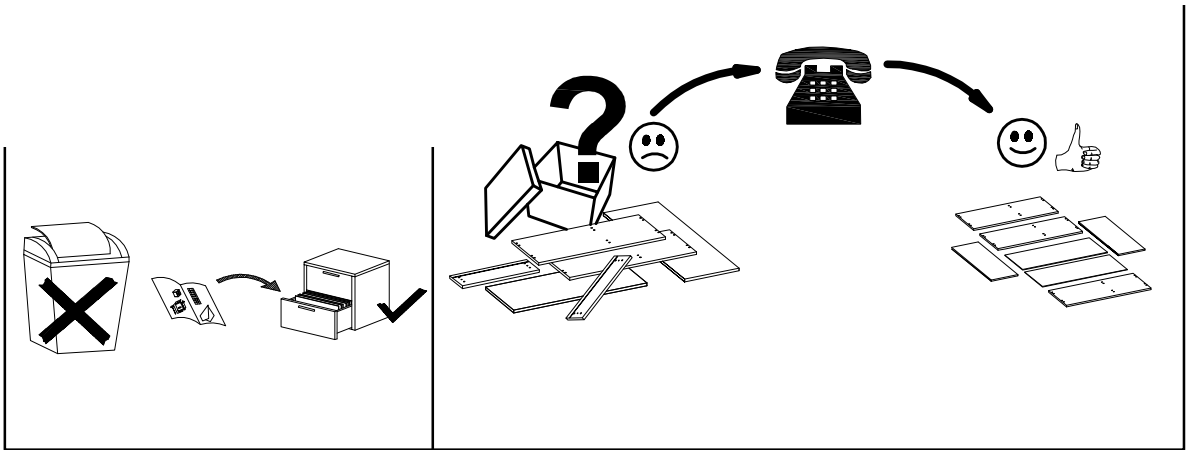
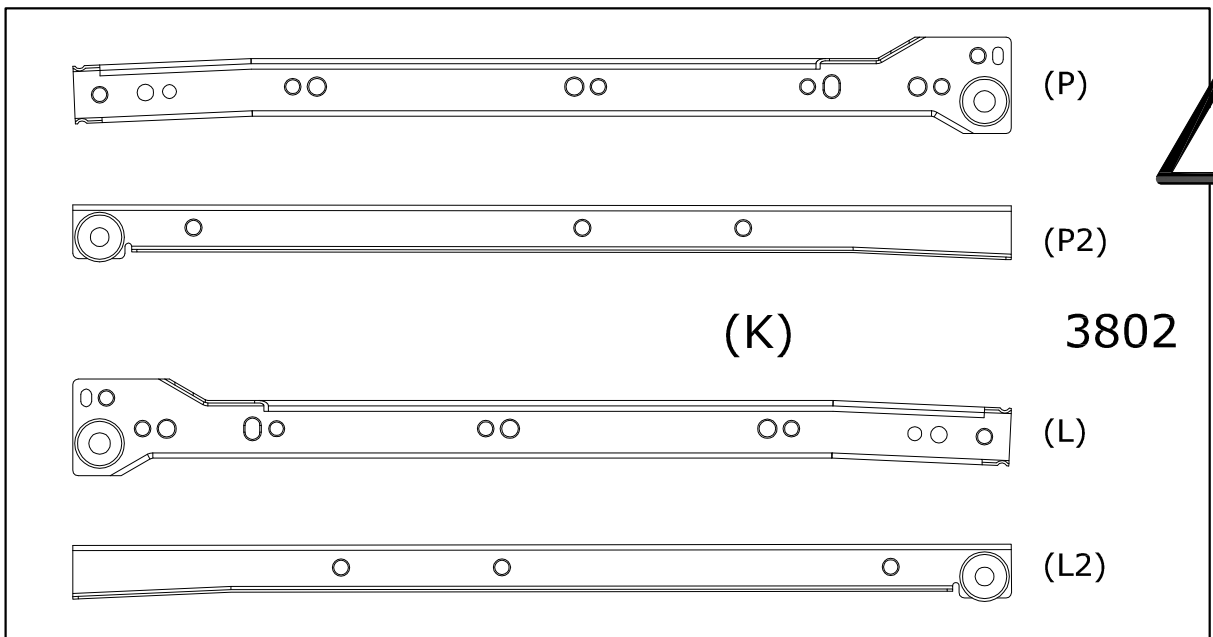
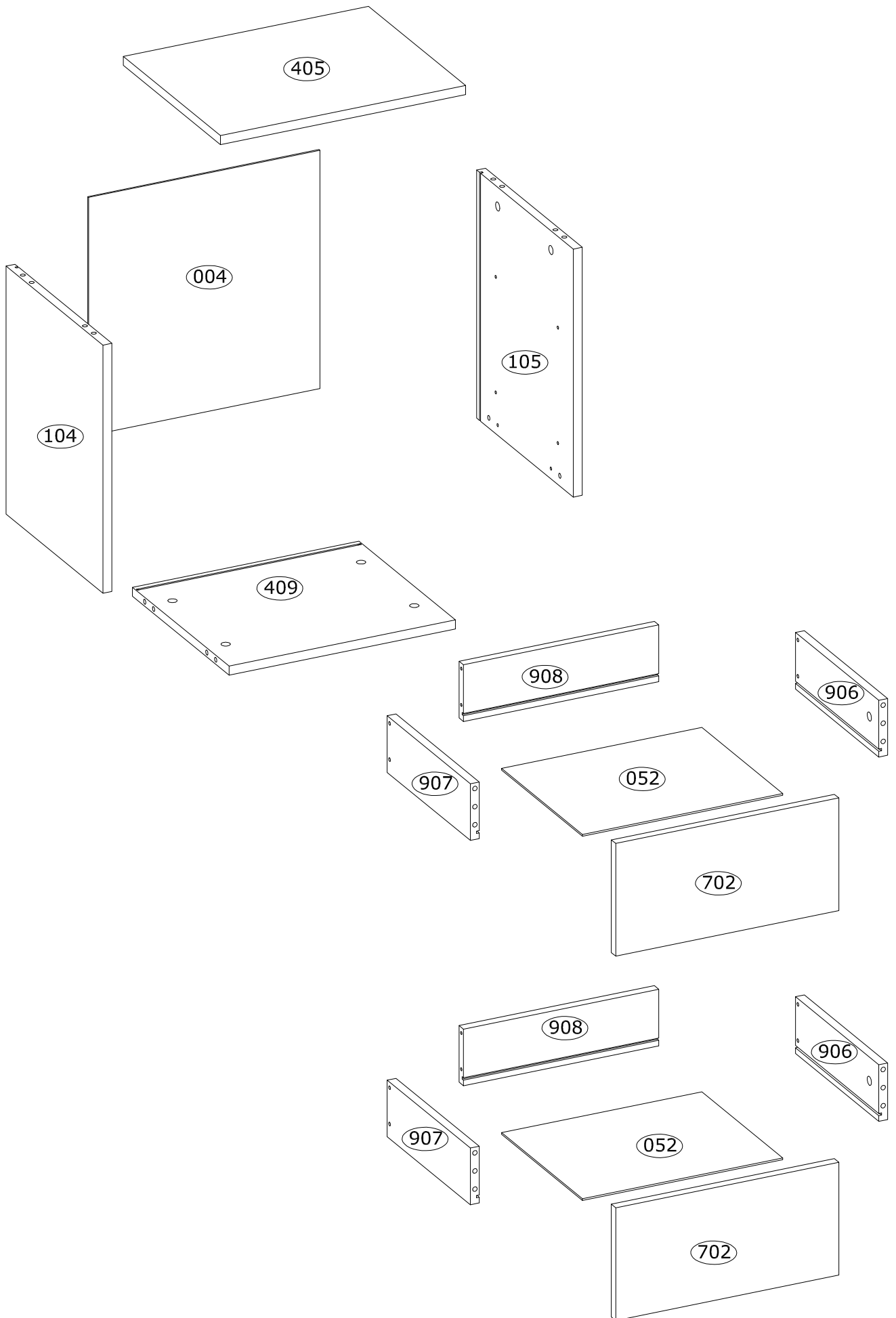


0  
10  
20  
30  
40  
50  
60  
70  
80  
90  
100  
110  
120  
130  
140  
150  
160  
170  
180  
190  
200



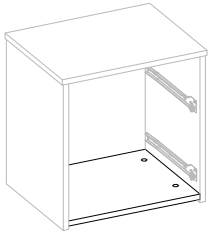
<b>A</b> $\varnothing 8 \times 30$ mm  <b>x32</b> 3989	<b>B</b> $\varnothing 6,5 \times 36,5$ mm  <b>x24</b> 4066	<b>C</b> $\varnothing 15 \times 12$ mm  <b>x24</b> 3996	<b>D</b> $\varnothing 20$ mm  <b>x8</b> 136239	<b>E</b> $\varnothing 3,5 \times 16$ mm  <b>x24</b> 3918
<b>F</b> $6,0 \times 13$ mm  <b>x16</b> 3877	<b>G</b> $\varnothing 12 \times 42$ mm  <b>x16</b> IN01157	<b>H</b>  <b>x8</b> 70313	<b>I</b> $15 \times 14 \times 11$ mm  <b>x8</b> 4044	<b>J</b> $27 \times 34$ L-120mm  <b>x4</b> 209928
<b>K</b> $L - 300$ mm  <b>x4</b> 3802				



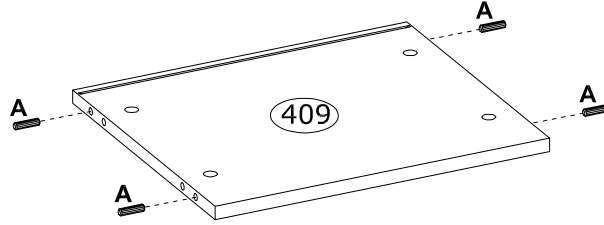


1

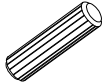
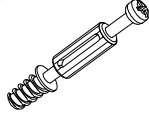

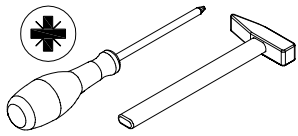
<b>A</b>	Ø8x30 mm		x8 3989	
----------	----------	---	------------	--

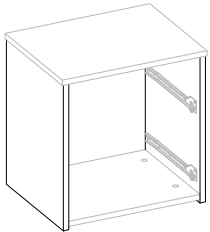


x2

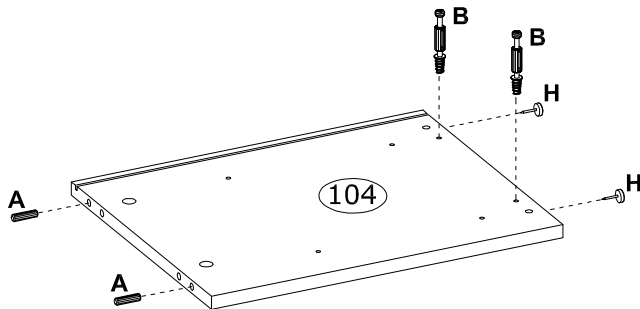
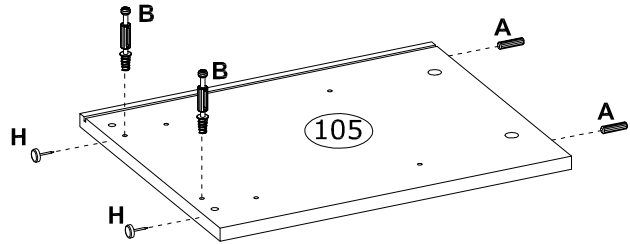


2

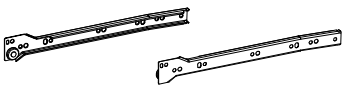


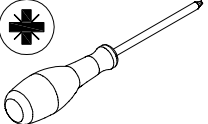
<b>A</b>	Ø8x30 mm	<b>B</b>	Ø6,5x36,5 mm	<b>H</b>		x8 3989		x8 4066		x8 70313	
----------	----------	----------	--------------	----------	--	------------	--	------------	--	-------------	--

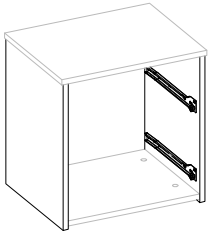


x2

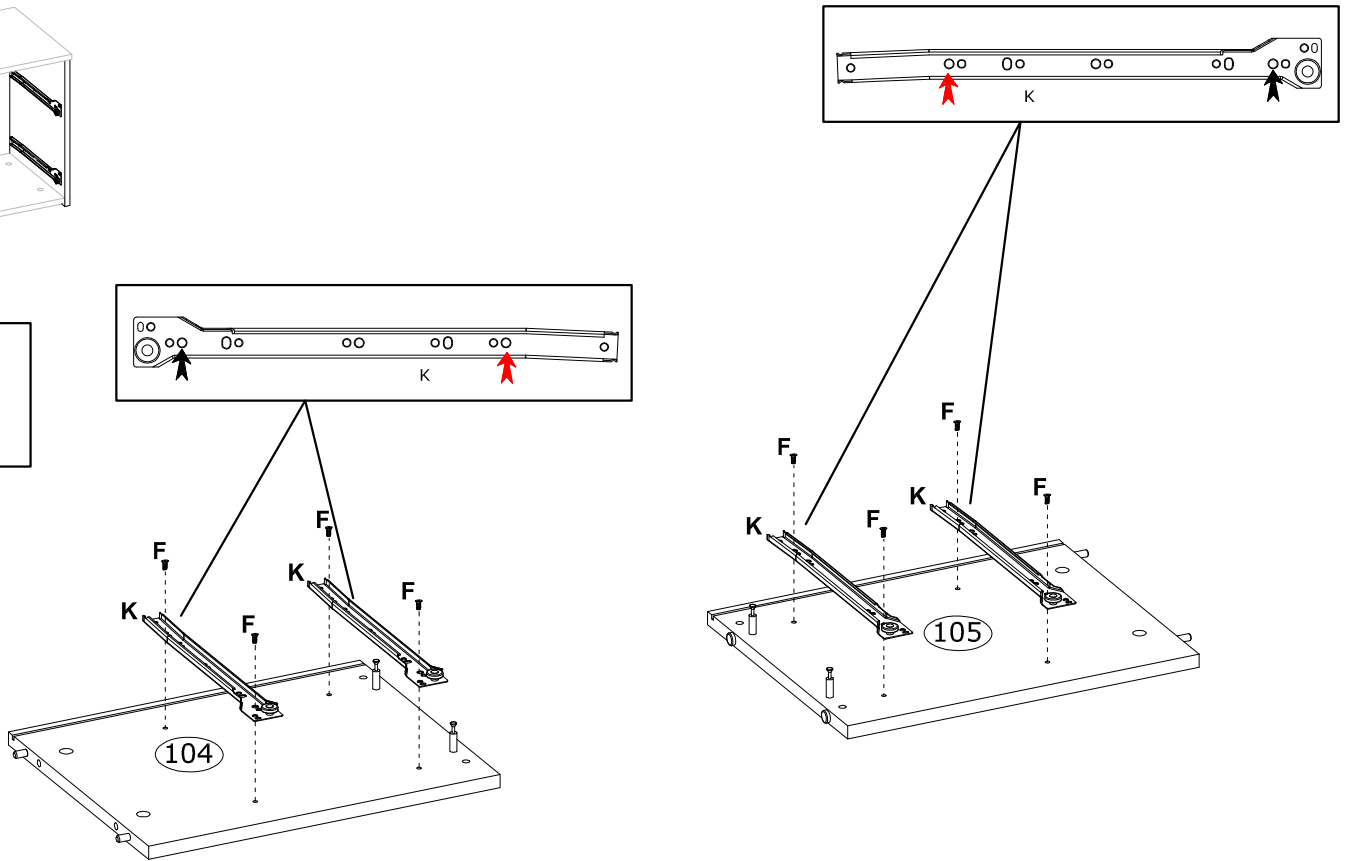


3

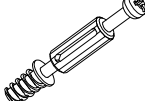

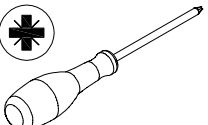
<b>K</b> L- 300 mm  x4 3802	<b>F</b> 6,0x13 mm  x16 3877	 
--	---	--

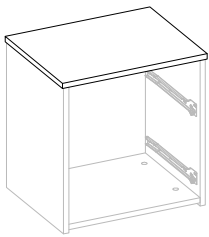


x2

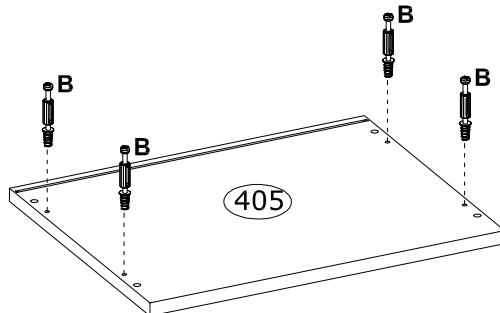


4

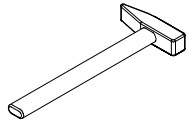
<b>B</b> Ø6,5x36,5 mm  x8 4066	 
---	--

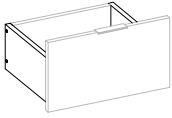


x2

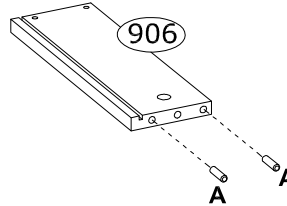
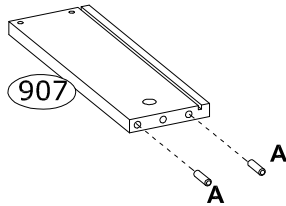


5

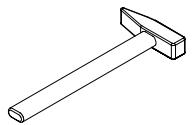
<b>A</b>	 Ø8x30 mm x16 3989	
----------	--	--

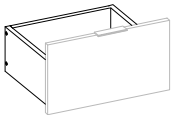


x4

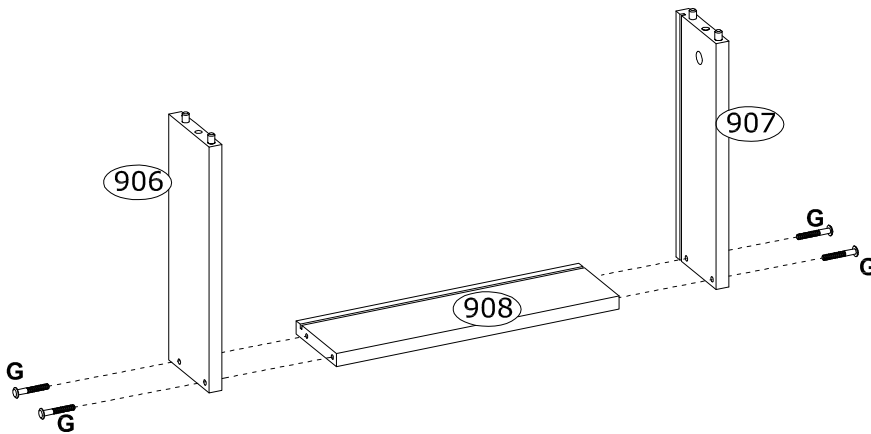


6

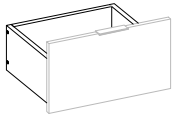
<b>G</b>	 Ø12x42 mm x16 IN01157	
----------	--	---



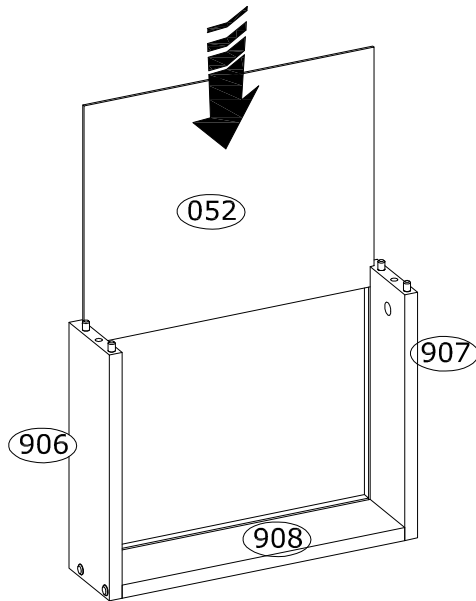
x4



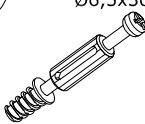
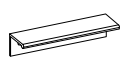

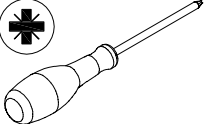
7

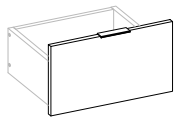


x4

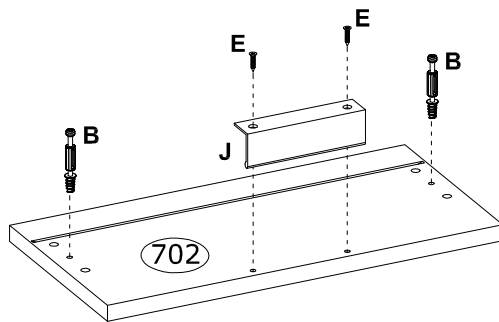


8

<p><b>B</b>    <math>\varnothing 6,5 \times 36,5</math> mm</p>  <p>x8 4066</p>	<p><b>J</b>    27X34 L-120mm</p>  <p>x4 209928</p>	<p><b>E</b>    <math>\varnothing 3,5 \times 16</math> mm</p>  <p>x8 3918</p>	
---	---	---	---


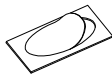
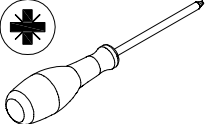


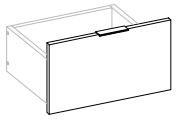
x4



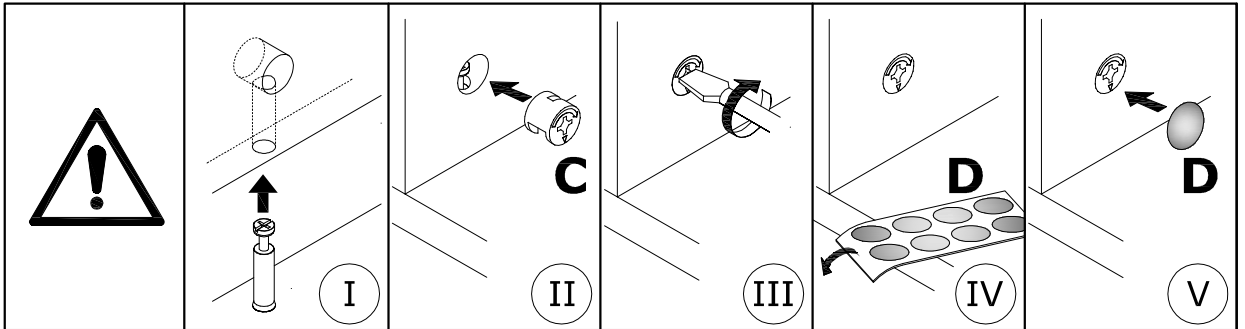
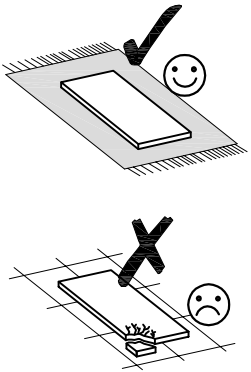
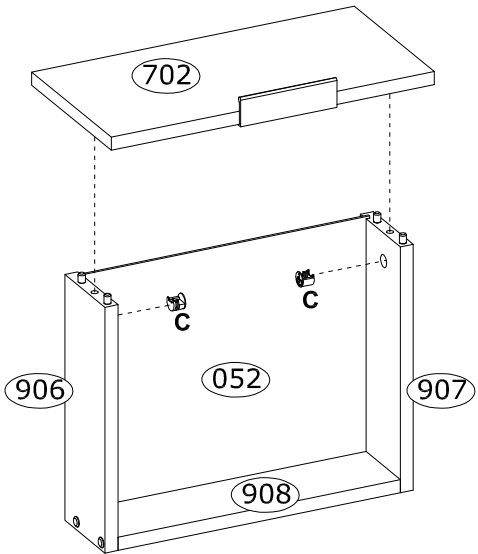


9


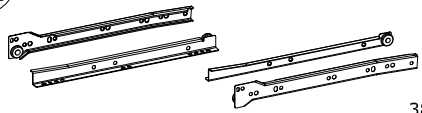
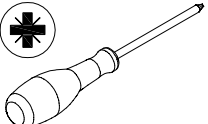
<p><b>C</b> <math>\varnothing 15 \times 12</math> mm</p>  <p>x8 3996</p>	<p><b>D</b> <math>\varnothing 20</math> mm</p>  <p>x8 136239</p>	
---	---	--



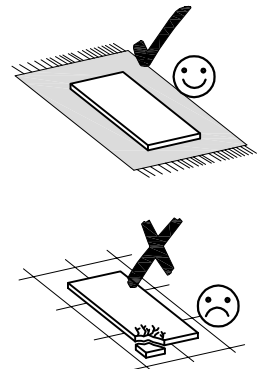
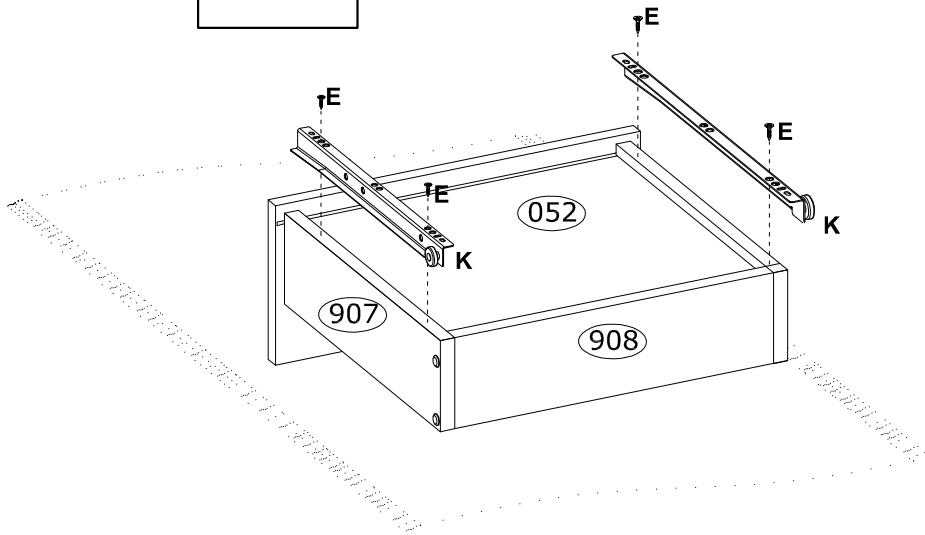
x4



10

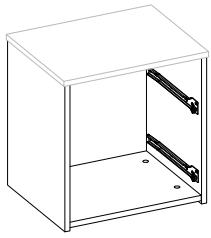
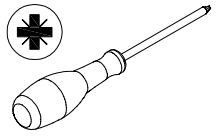
<p><b>E</b> <math>\varnothing 3,5 \times 16</math> mm</p>  <p>x16 3918</p>	<p><b>K</b> L- 300 mm</p>  <p>x4 3802</p>	
---	--	---

x4

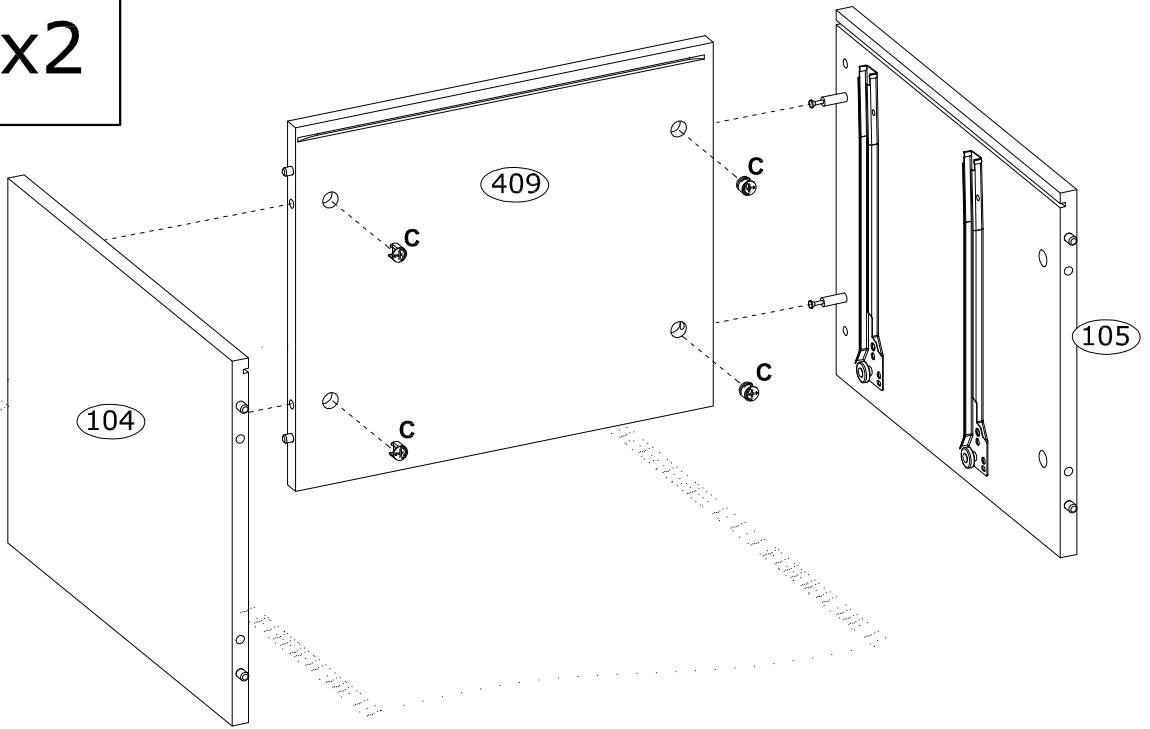
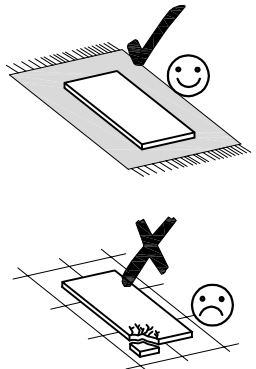


11

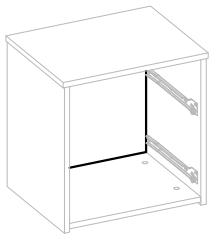
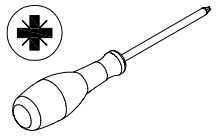
C  
Ø15x12 mm  
x8  
3996



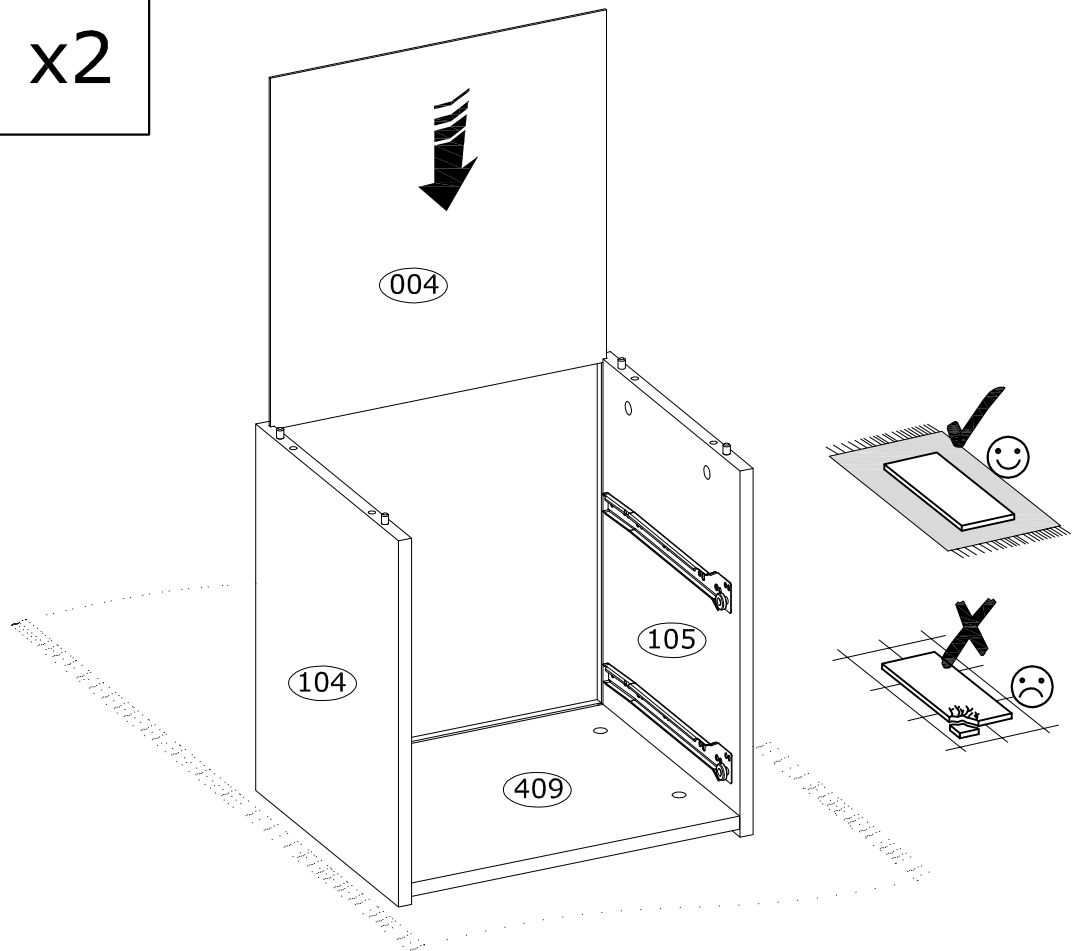
x2



12

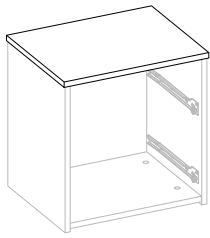
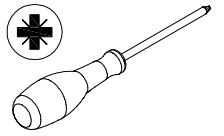


x2

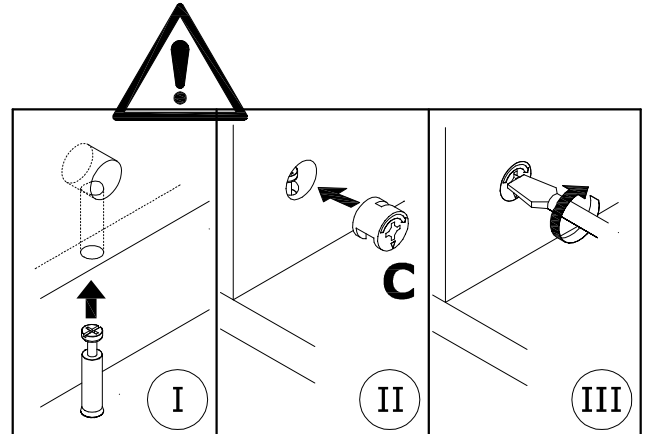
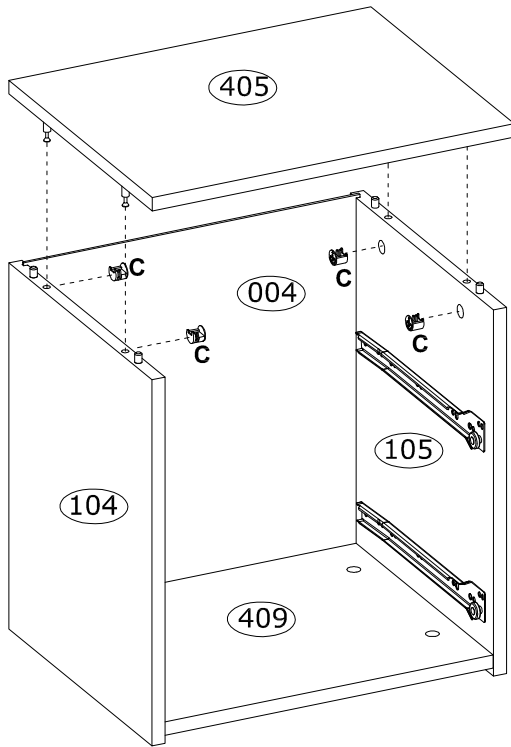


13

C  
Ø15x12 mm  
x8  
3996

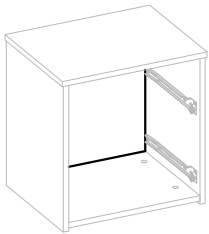
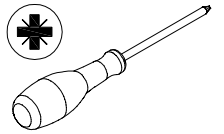


x2

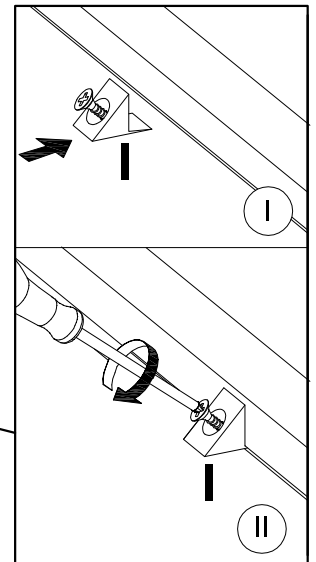
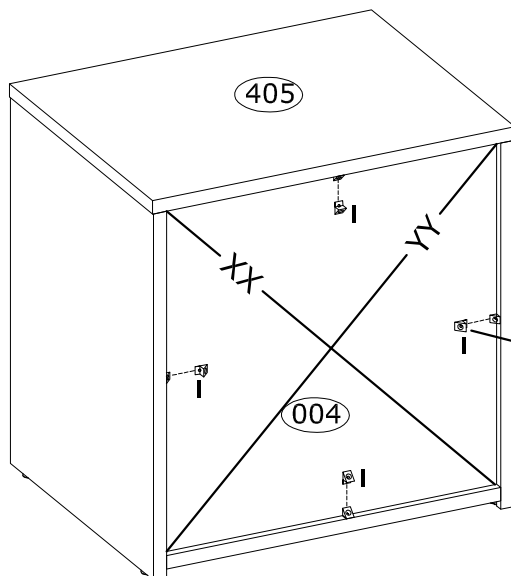



14

I  
15x14x11 mm  
x8  
4044



x2



  
XX=YY≅90°

