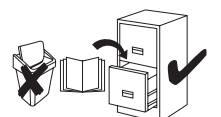
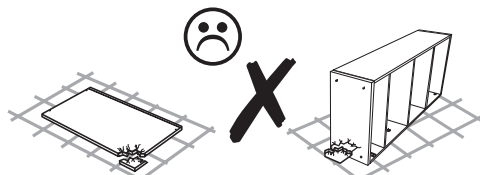
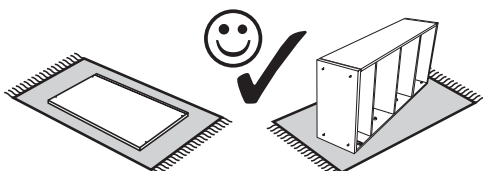
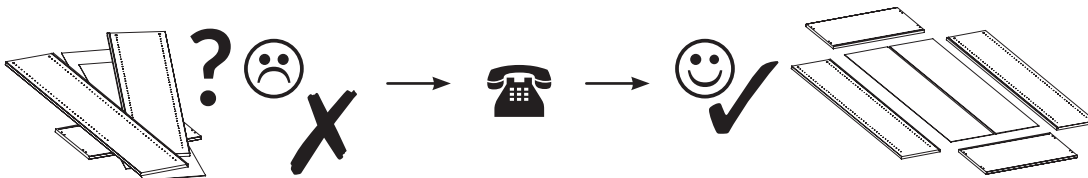
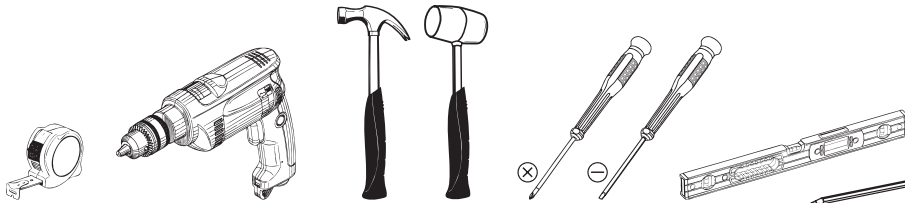
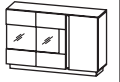
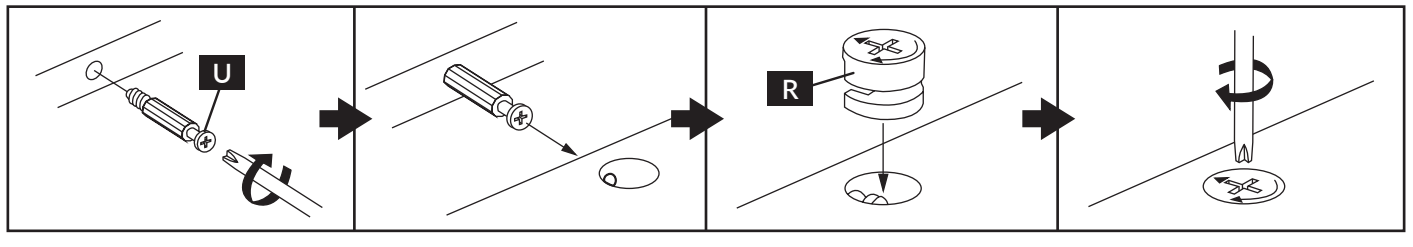
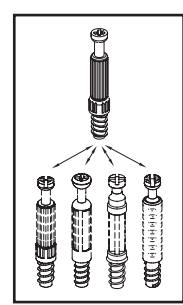
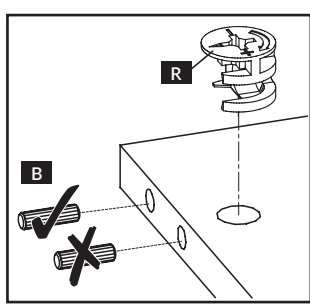
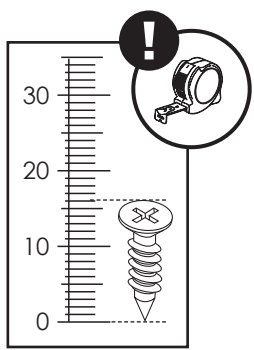
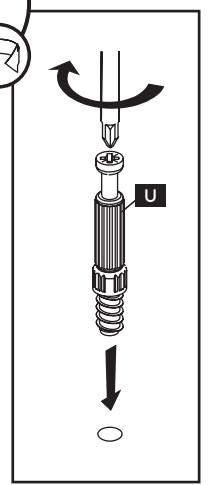
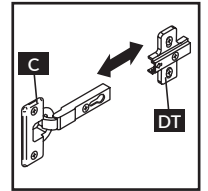
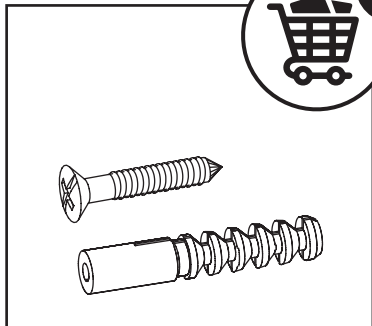


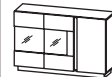
2019-08-13





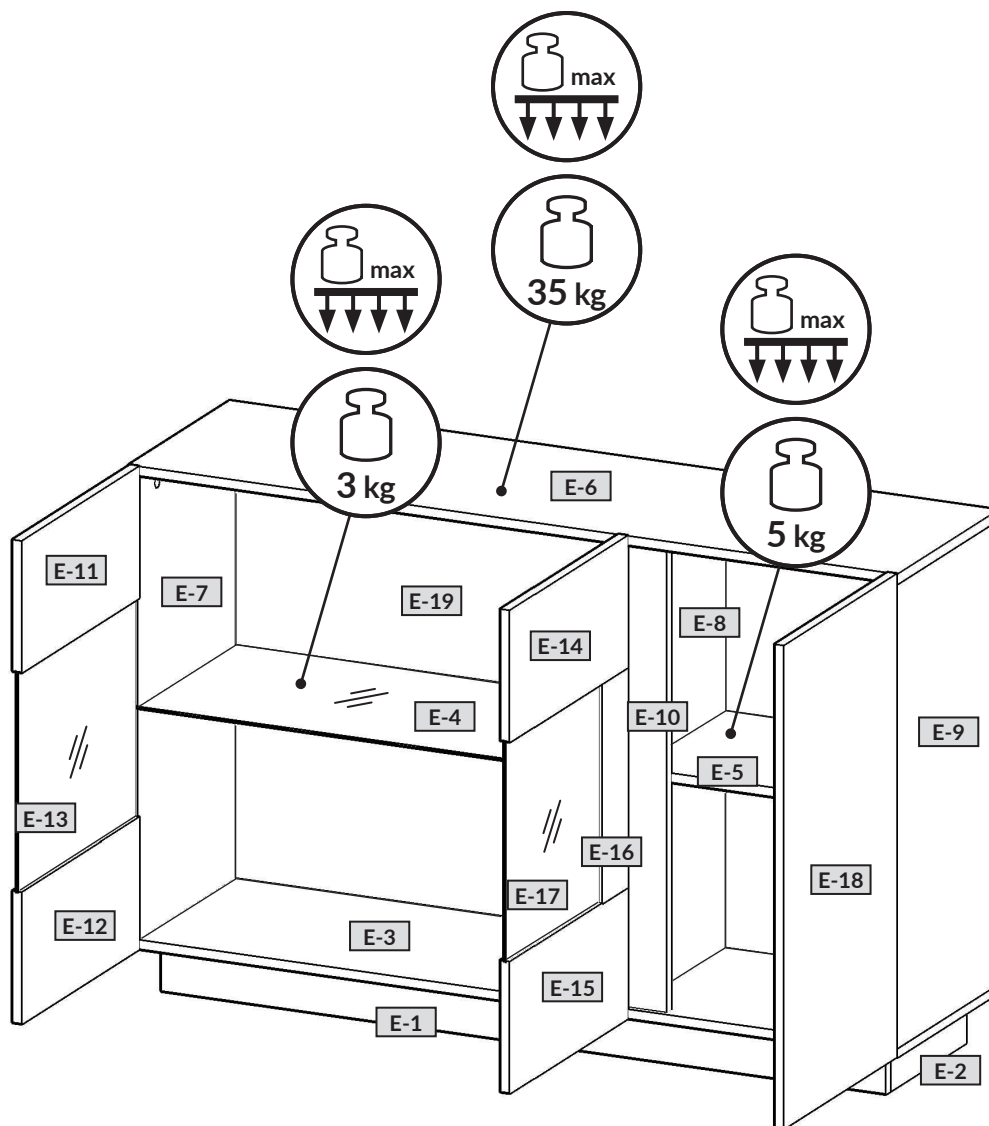
A 7 x 50 mm x 6	B 8 x 32 mm x 26	B3 8 x 50 mm x 4	C (CD) x 6	DT x 6	E 3,5 x 13 mm x 17
E2 3 x 20 mm x 5	G2 x 6	H1 x 10	HDF 322 / 100 mm x 3	O2 x 2	P x 4
P2 x 4	R H=11 mm x 8	U L=24,3 mm x 8	W1 x 1	XA x 1	XG x 2
ZR Ø 15 x 8					

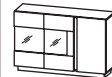




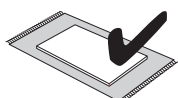
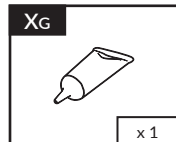
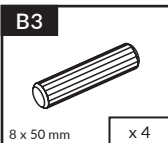
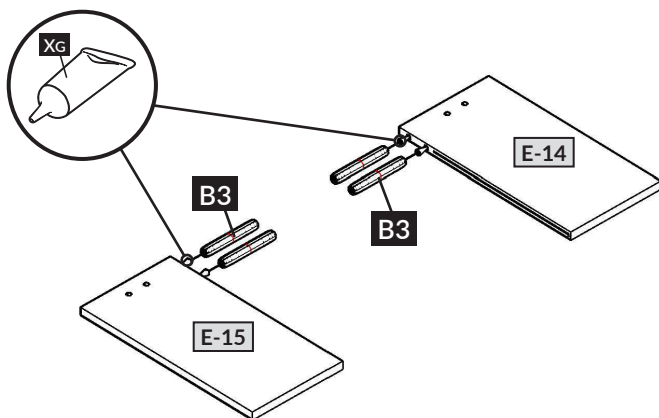
nr	↔ [mm]	↓ [mm]	∅ [mm]	Menge	Colli
E-1	1302	80	16	x 1	1/2
E-2	288	80	16	x 2	1/2
E-3	1381	384	16	x 1	1/2
E-4	864	330	4	x 1	1/2
E-5	466	343	16	x 1	1/2
E-6	1381	384	16	x 1	1/2
E-7	790	384	16	x 1	2/2
E-8	790	343	16	x 1	2/2
E-9	790	384	16	x 1	2/2
E-10	100	790	16	x 1	1/2

nr	↔ [mm]	↓ [mm]	∅ [mm]	Menge	Colli
E-11	446	250	16	x 1	1/2
E-12	446	250	16	x 1	1/2
E-13	444	370	4	x 1	1/2
E-14	446	250	16	x 1	1/2
E-15	446	250	16	x 1	1/2
E-16	96	322	16	x 1	1/2
E-17	375	370	4	x 1	1/2
E-18	426	822	16	x 1	2/2
E-19	1360	802	3	x 1	1/2

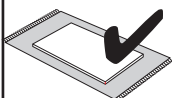
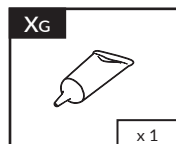
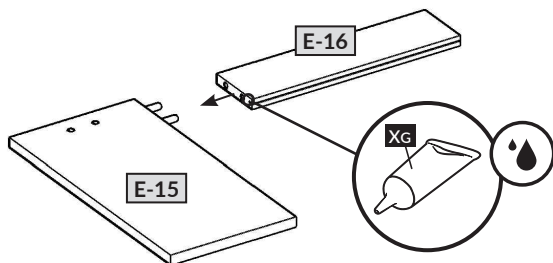




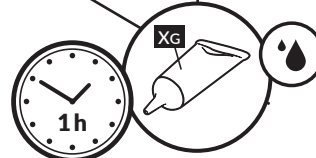
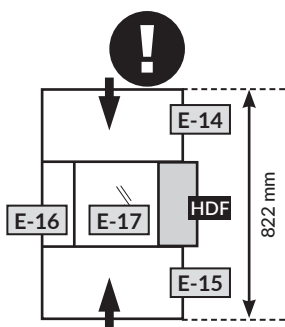
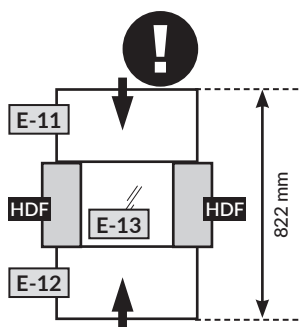
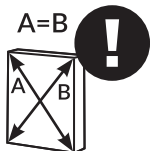
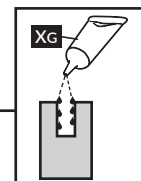
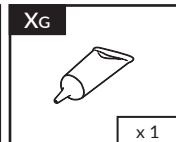
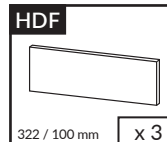
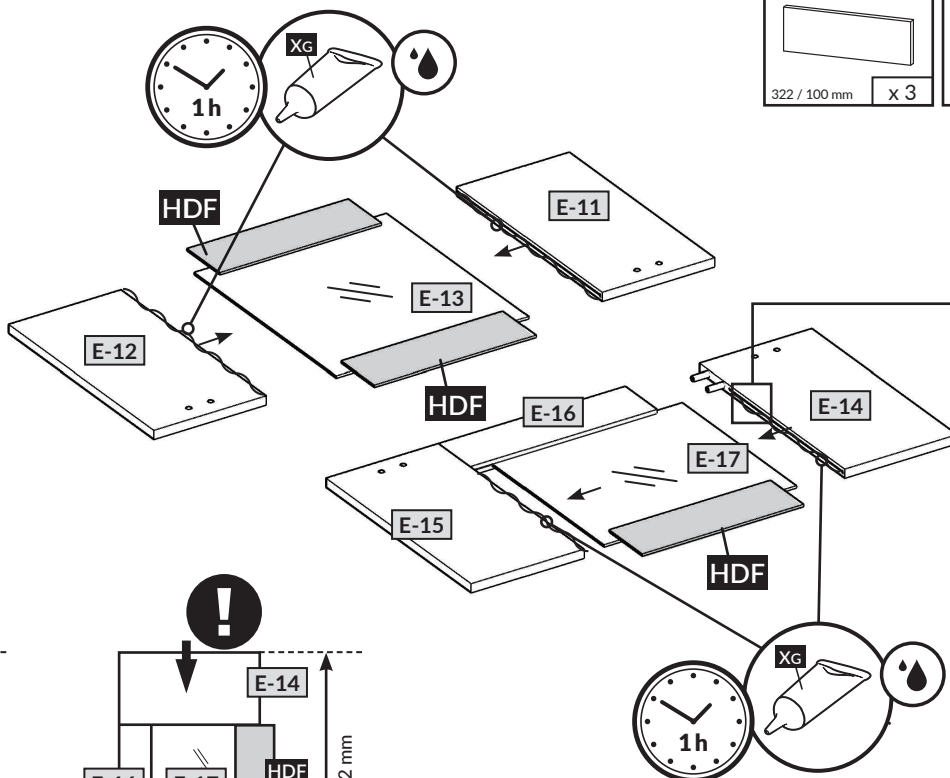
1

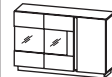


2

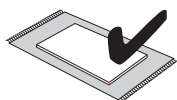
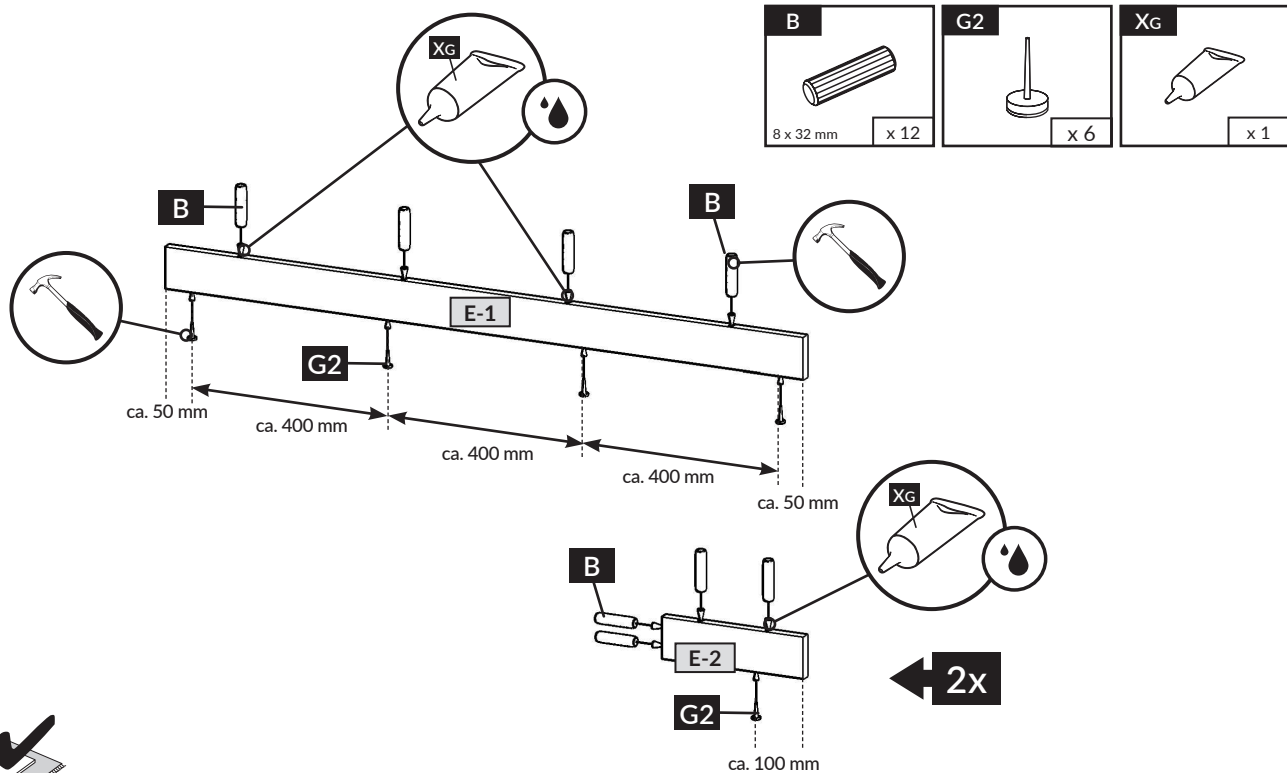


3

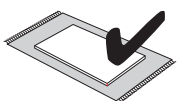
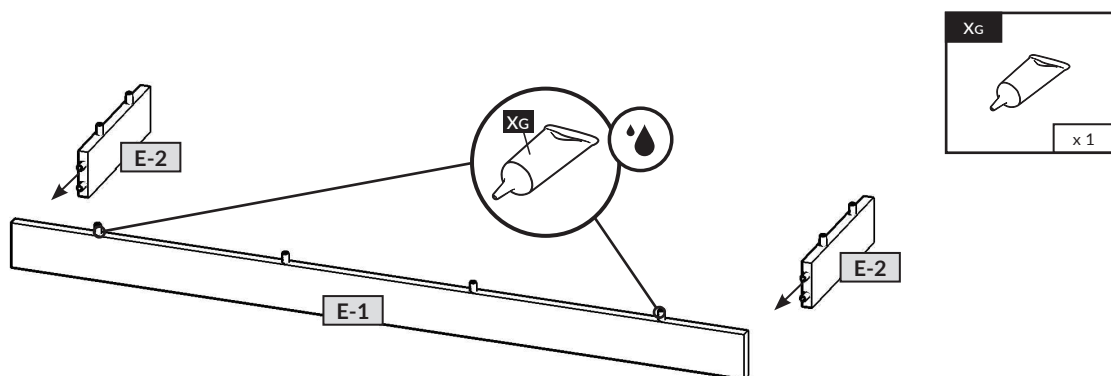




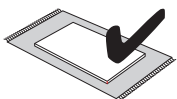
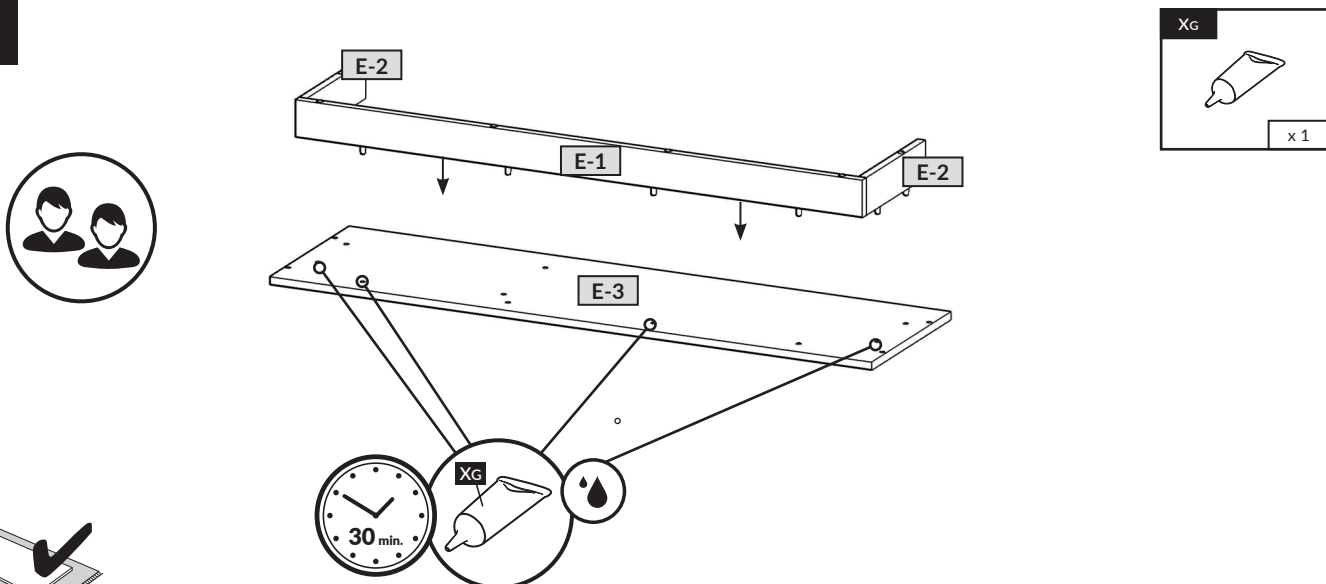
4

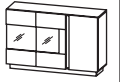


5



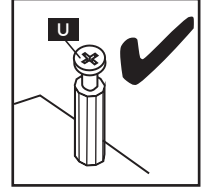
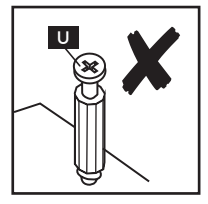
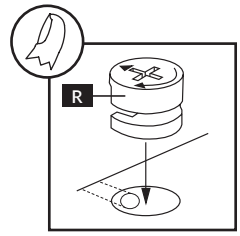
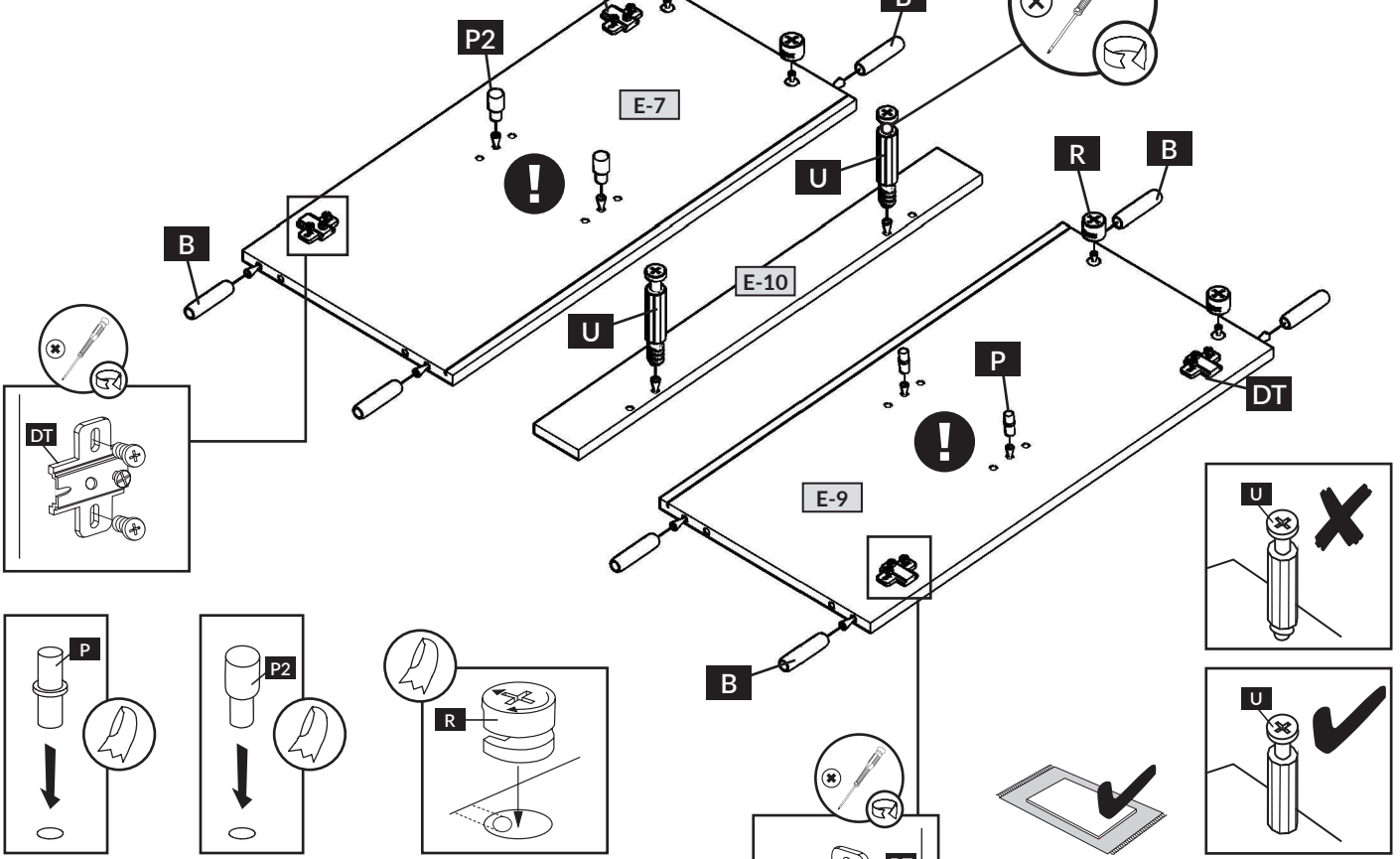
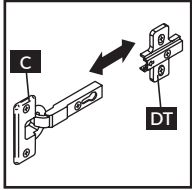
6





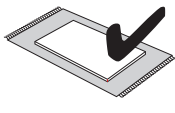
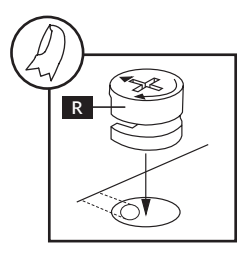
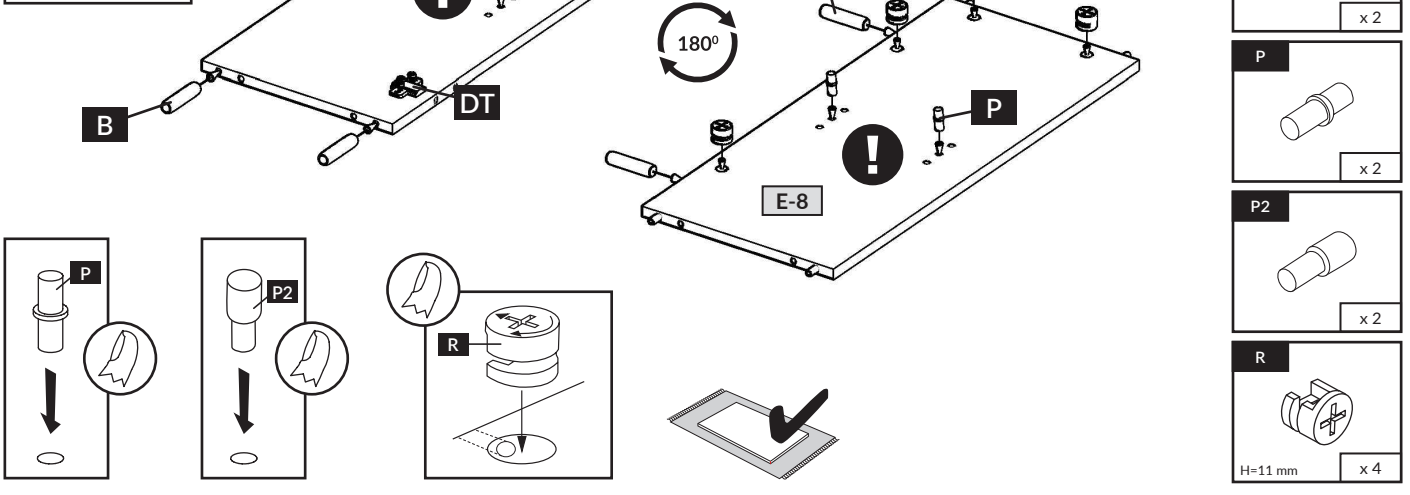
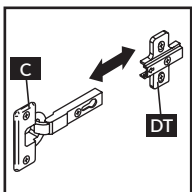
7

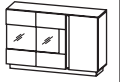
B 8 x 32 mm x 8	DT x 4	P x 2	P2 x 2	R H=11 mm x 4	U L=24,3 mm x 2
------------------------------	------------------	-----------------	------------------	----------------------------	------------------------------



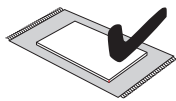
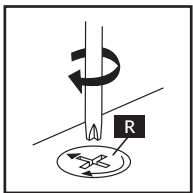
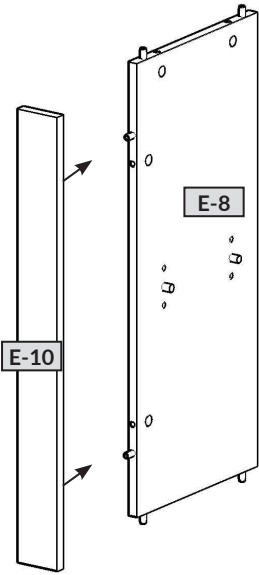
8

B 8 x 32 mm x 6	DT x 2	P x 2	P2 x 2	R H=11 mm x 4
------------------------------	------------------	-----------------	------------------	----------------------------

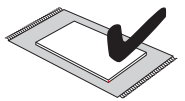
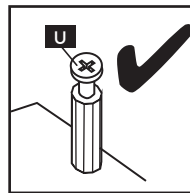
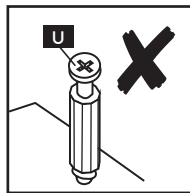
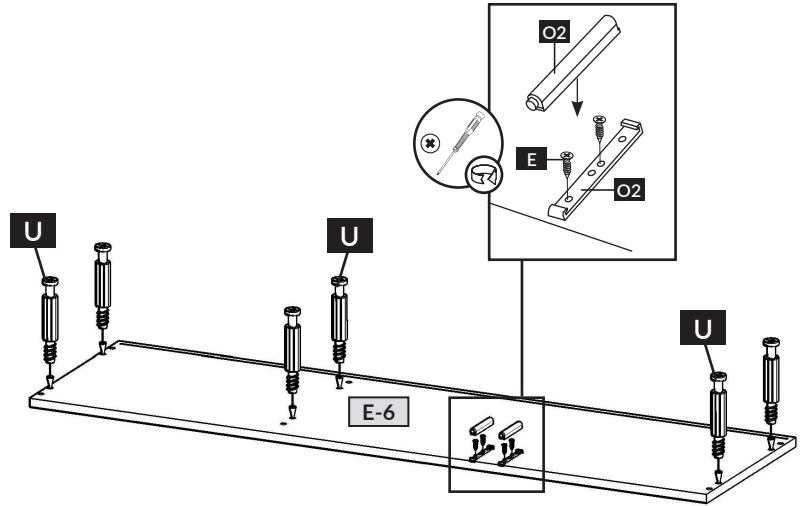
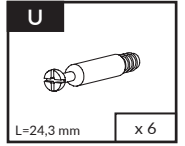
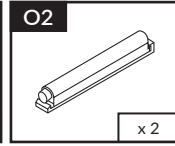
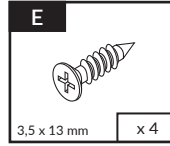




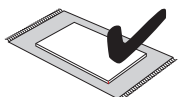
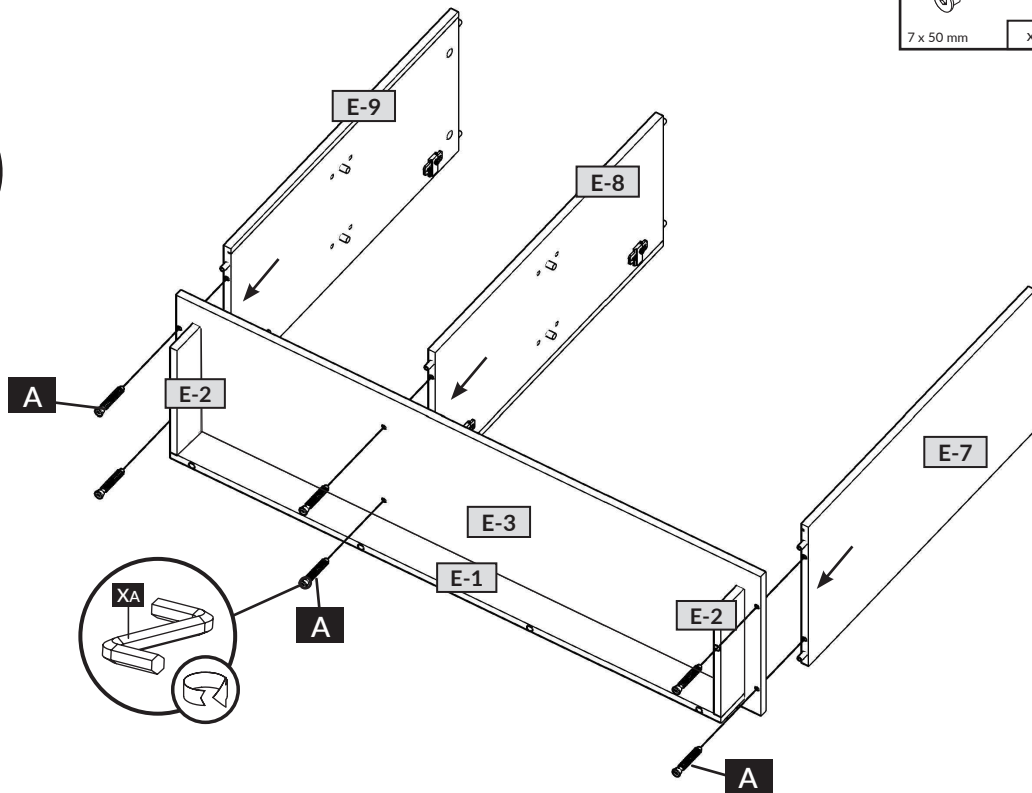
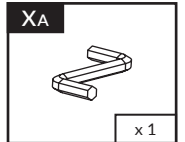
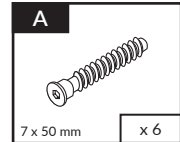
9

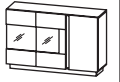


10

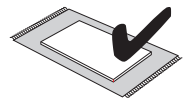
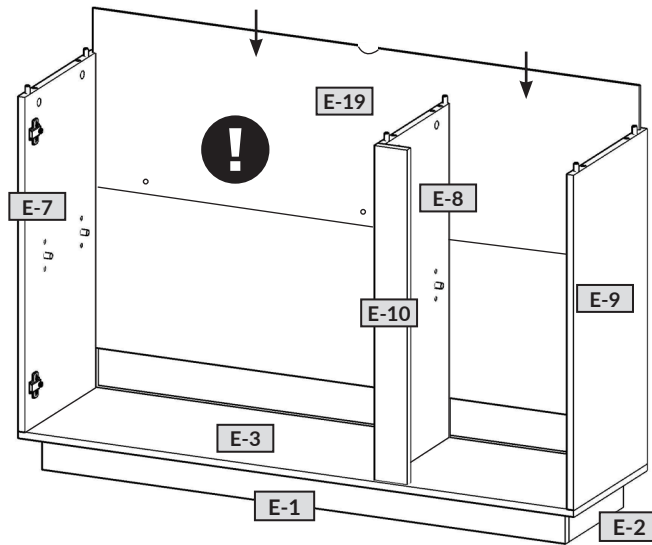


11

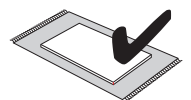
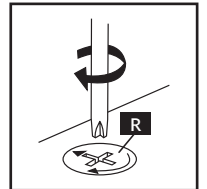
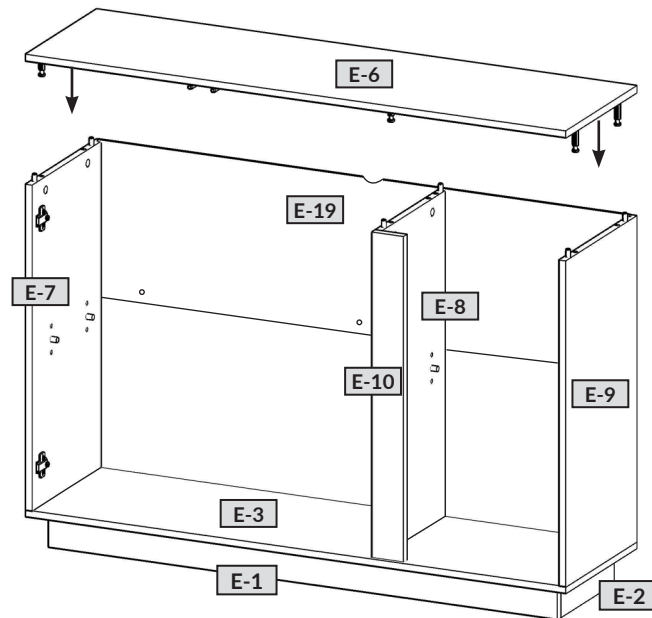




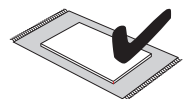
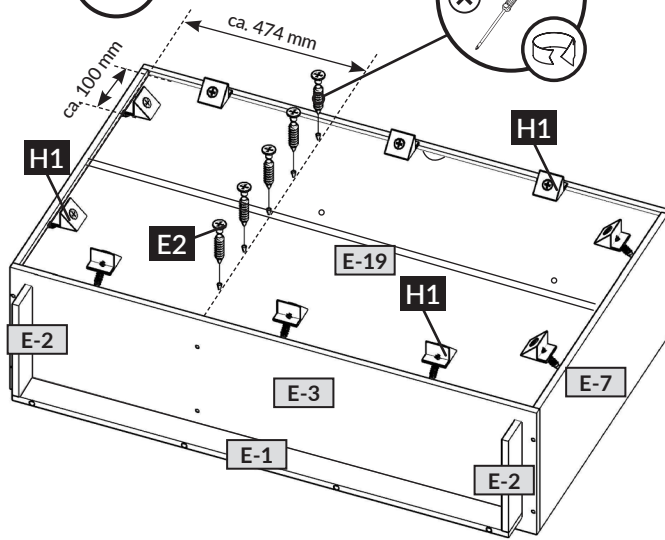
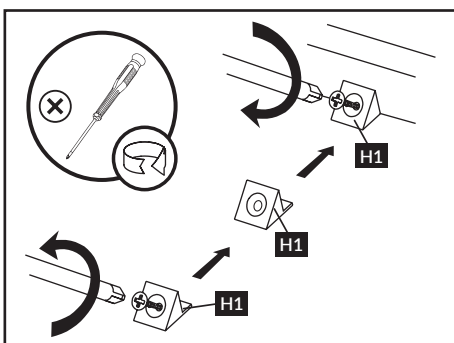
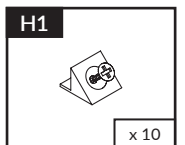
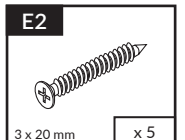
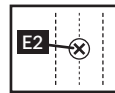
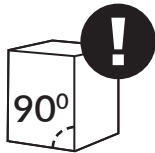
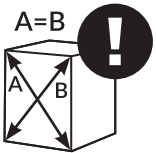
12

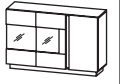


13

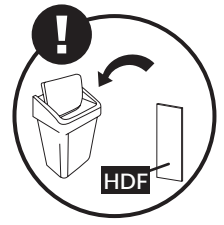
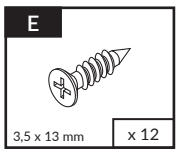
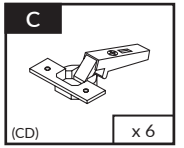
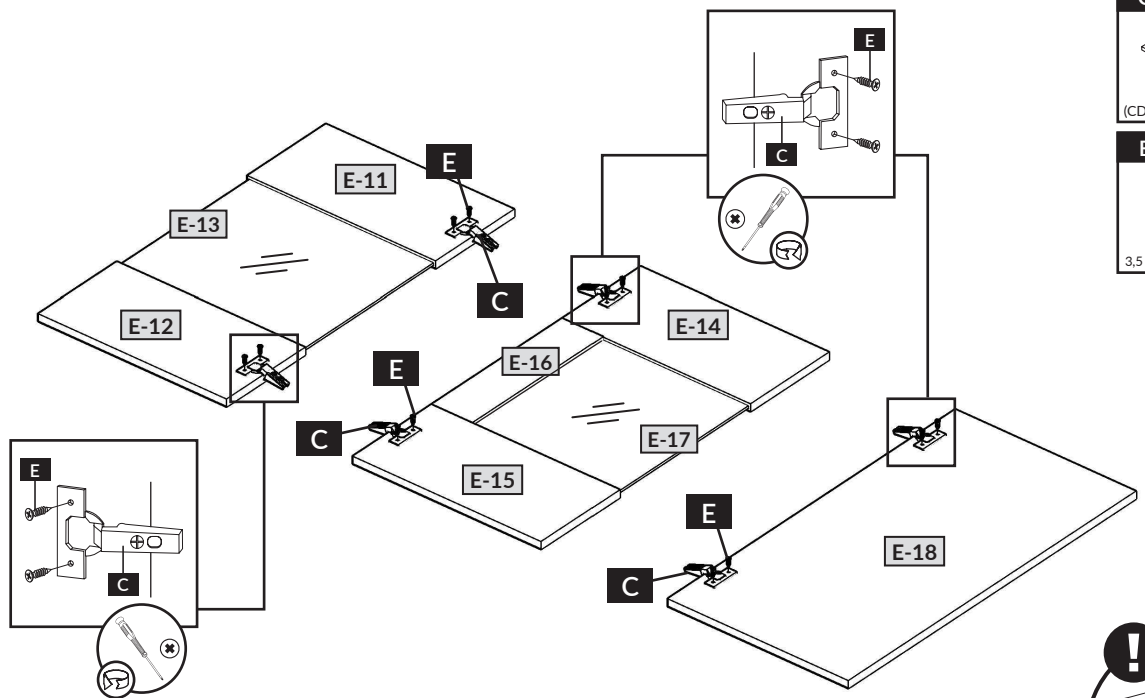


14

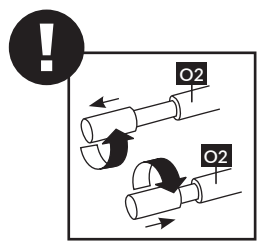
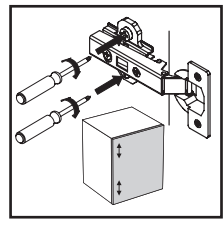
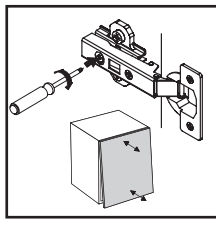
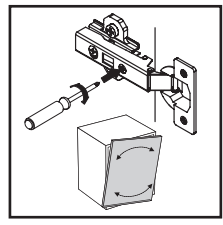
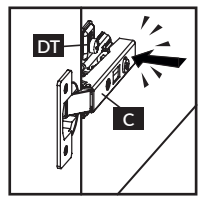
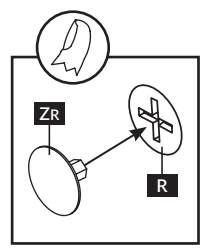
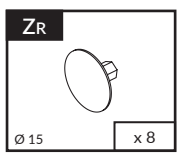
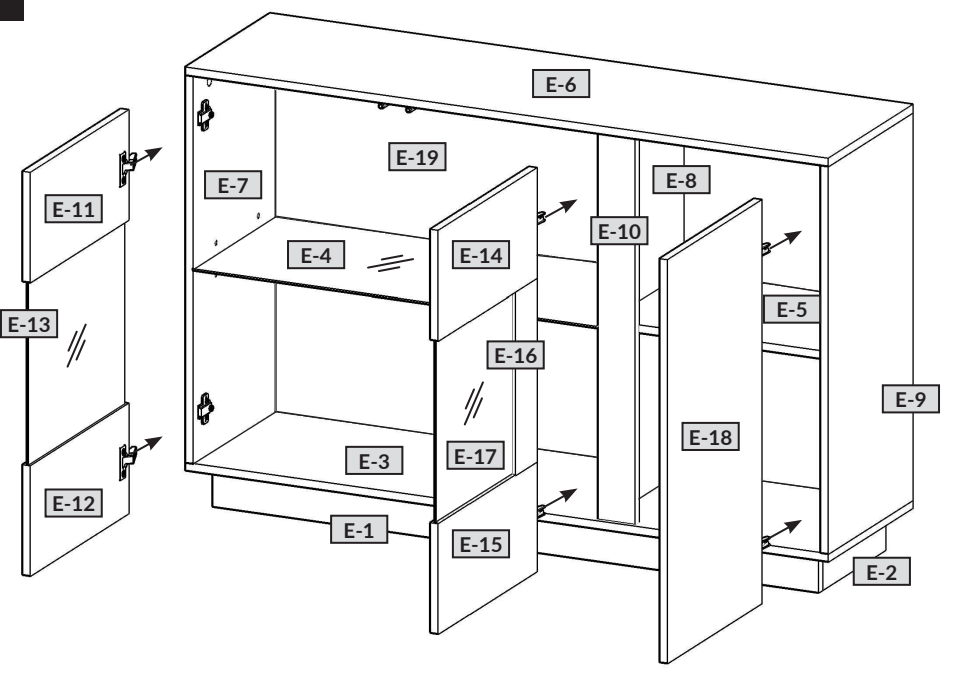


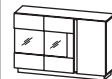


15

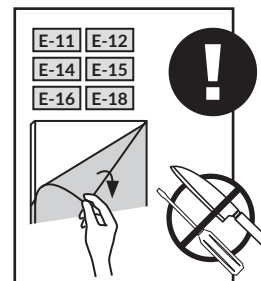
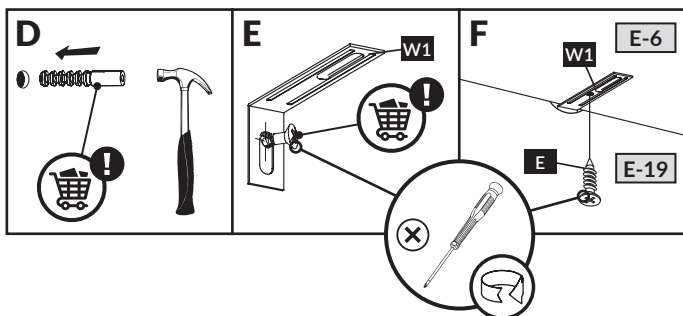
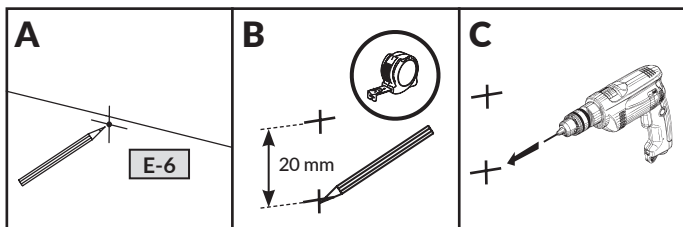
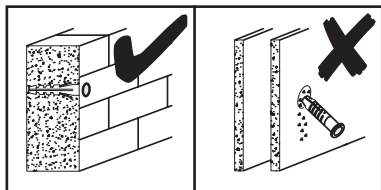
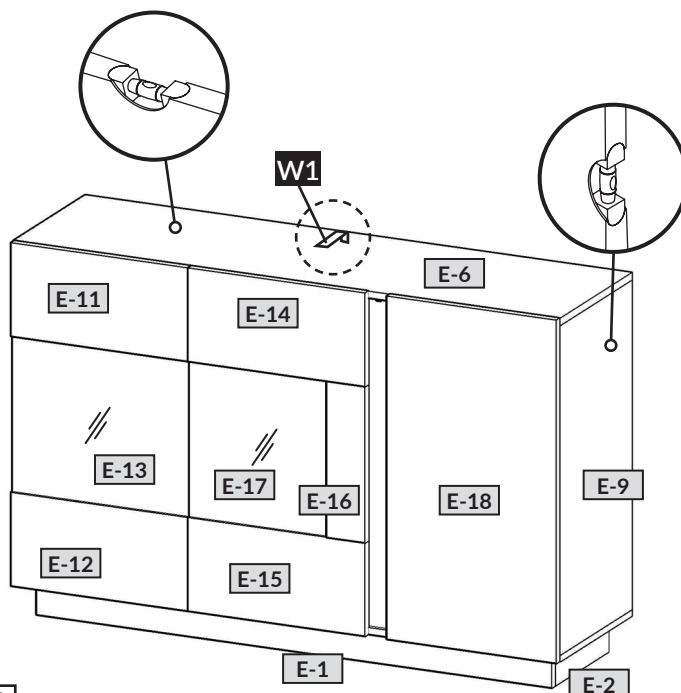
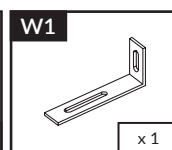
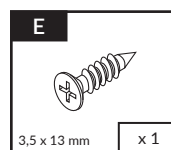


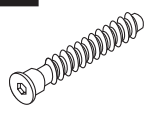
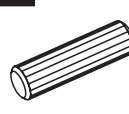
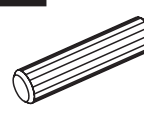
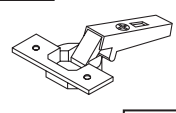
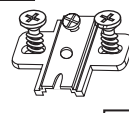
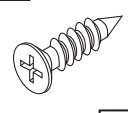





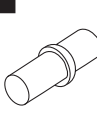
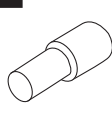
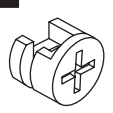
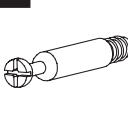
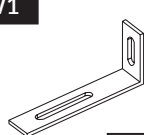
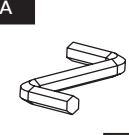


16

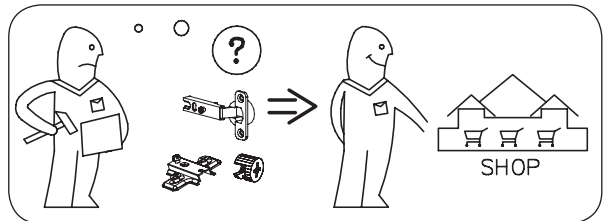
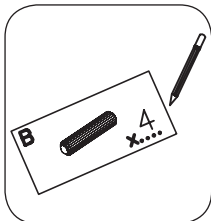


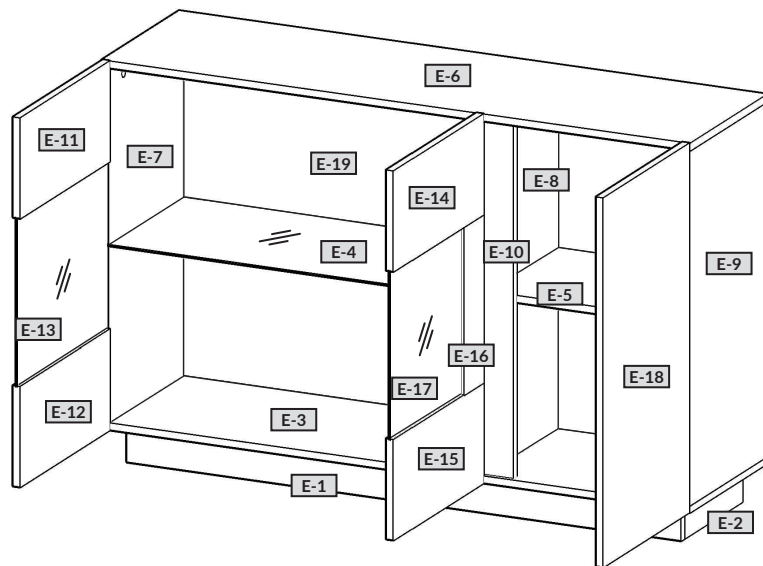


17



<p>A</p>  <p>7 x 50 mm X ...</p>	<p>B</p>  <p>8 x 32 mm X ...</p>	<p>B3</p>  <p>8 x 50 mm X ...</p>
<p>C</p>  <p>(CD) X ...</p>	<p>DT</p>  <p>DT X ...</p>	<p>E</p>  <p>3,5 x 13 mm X ...</p>
<p>E2</p>  <p>3 x 20 mm X ...</p>	<p>G2</p>  <p>G2 X ...</p>	<p>HDF</p>  <p>322 / 100 mm X ...</p>
<p>H1</p>  <p>H1 X ...</p>	<p>O2</p>  <p>O2 X ...</p>	<p>P</p>  <p>P X ...</p>
<p>P2</p>  <p>P2 X ...</p>	<p>R</p>  <p>H=11 mm X ...</p>	<p>U</p>  <p>L=24,3 mm X ...</p>
<p>W1</p>  <p>W1 X ...</p>	<p>XA</p>  <p>XA X ...</p>	<p>XG</p>  <p>XG X ...</p>
<p>ZR</p>  <p>Ø 15 X ...</p>		





nr	↔ [mm]	↓ [mm]	∅ [mm]	Menge	Colli
E-1	1302	80	16	x 1	1/2
E-2	288	80	16	x 2	1/2
E-3	1381	384	16	x 1	1/2
E-4	864	330	4	x 1	1/2
E-5	466	343	16	x 1	1/2
E-6	1381	384	16	x 1	1/2
E-7	790	384	16	x 1	2/2
E-8	790	343	16	x 1	2/2
E-9	790	384	16	x 1	2/2
E-10	100	790	16	x 1	1/2
E-11	446	250	16	x 1	1/2
E-12	446	250	16	x 1	1/2
E-13	444	370	4	x 1	1/2
E-14	446	250	16	x 1	1/2
E-15	446	250	16	x 1	1/2
E-16	96	322	16	x 1	1/2
E-17	375	370	4	x 1	1/2
E-18	426	822	16	x 1	2/2
E-19	1360	802	3	x 1	1/2

