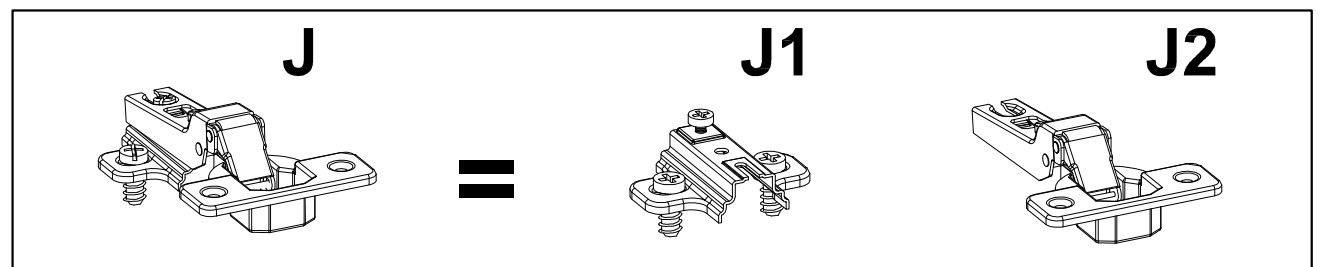
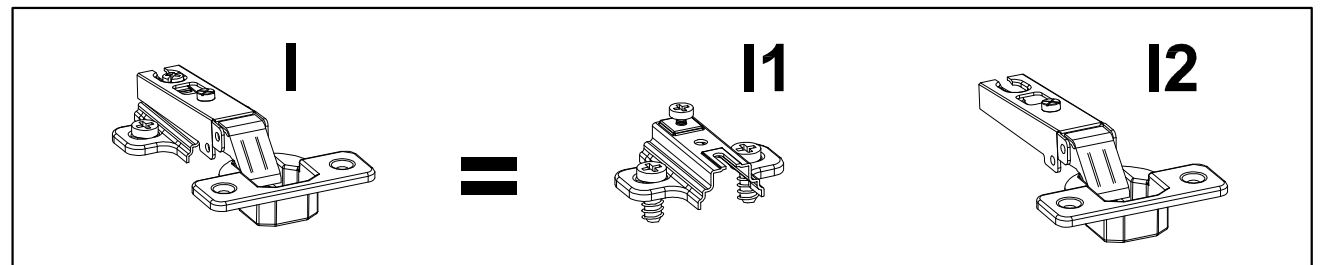
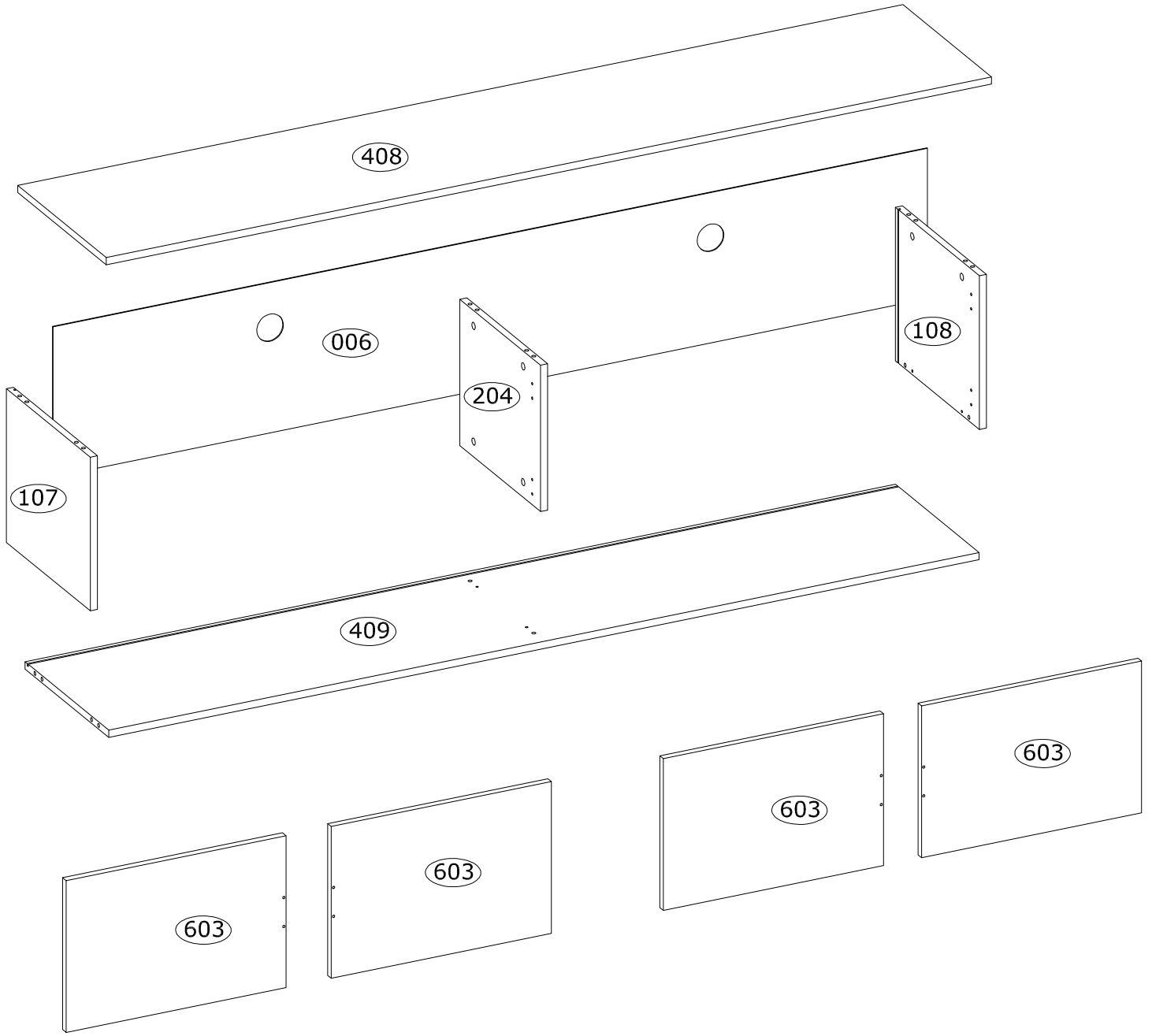


<b>A</b> Ø8x30 mm  x12 3989	<b>B</b> Ø6,5x36,5 mm  x12 4066	<b>C</b> Ø15x12 mm  x12 3996	<b>D</b> Ø20 mm  x12 136239	<b>E</b> 15x14x11 mm  x10 4044
<b>F</b> Ø3,5x16 mm  x36 3918	<b>G</b> Ø60x4 mm  x2 4034	<b>H</b> Ø3,0x25 mm  x3 3887	<b>I</b> Ø35 mm, KR0  x4 IN01640	<b>J</b> Ø35 mm, KR8  x4 67350
<b>K</b> Ø20, H-180  x5 232943	<b>L</b> 96X48X20 mm  x4 236246 236248			

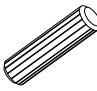

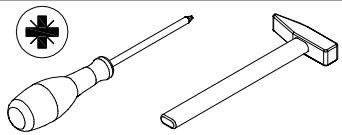
<b>L</b> 96X48X20 mm  x4 UMOOG64 236246	<b>L</b> 96X48X20 mm  x4 UMOOBL64 236248
---	--

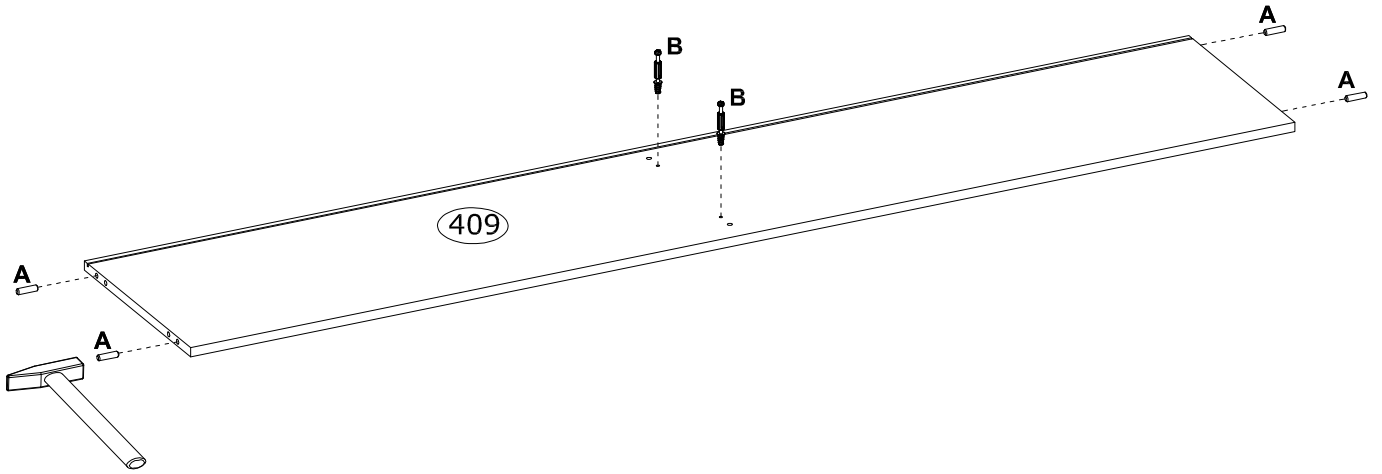


0  
10  
20  
30  
40  
50  
60  
70  
80  
90  
100  
110  
120  
130  
140  
150  
160  
170  
180  
190  
200

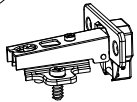

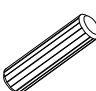
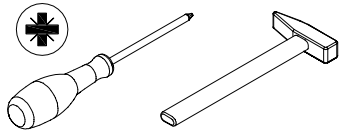


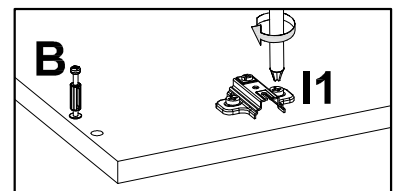
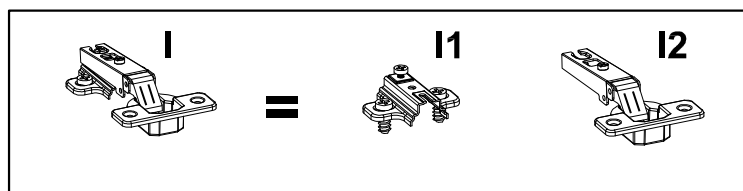
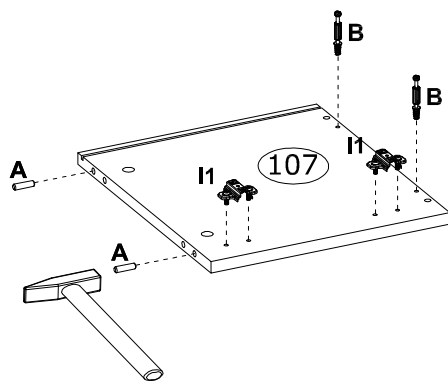
1

<b>A</b> Ø8x30 mm  x4 3989	<b>B</b> Ø6,5x36,5 mm  x2 4066	
---	---	--

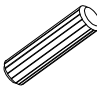
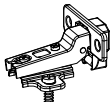
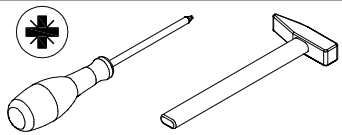


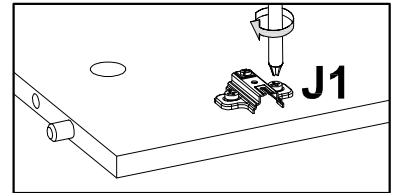
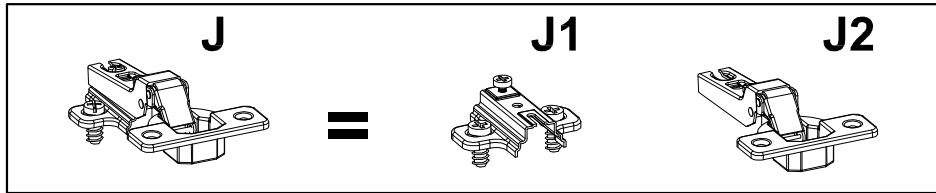
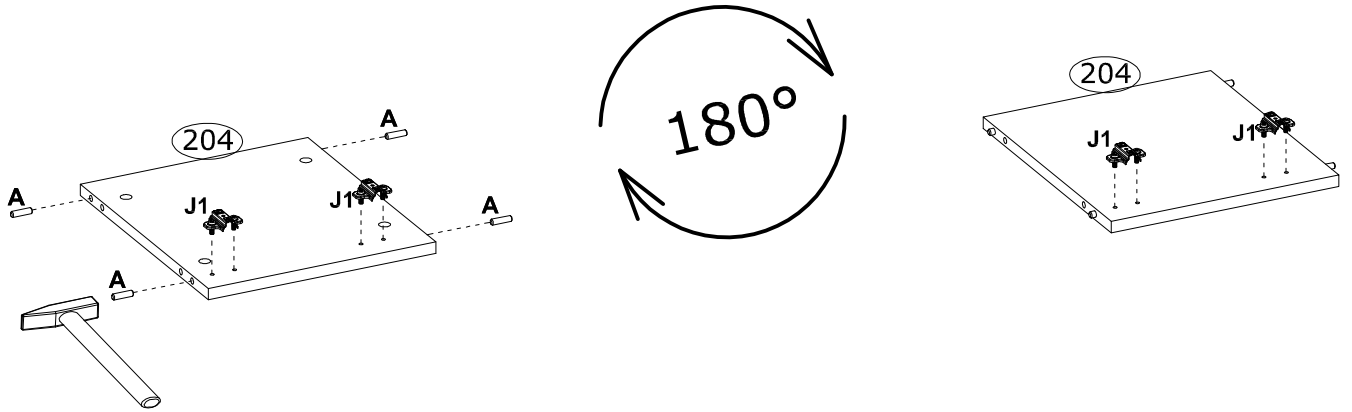
2

<b>I1</b> Ø35 mm, KR0  x2 IN01640	<b>B</b> Ø6,5x36,5 mm  x2 4066	<b>A</b> Ø8x30 mm  x2 3989	
--	---	---	---

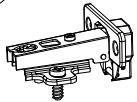

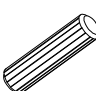
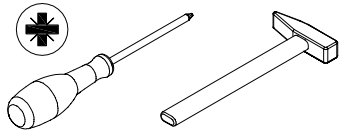


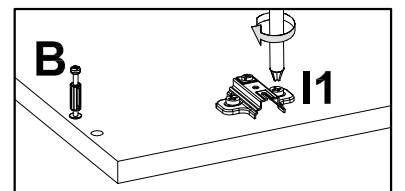
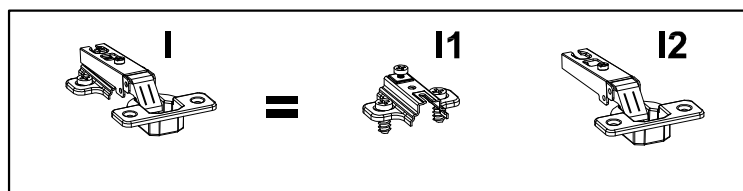
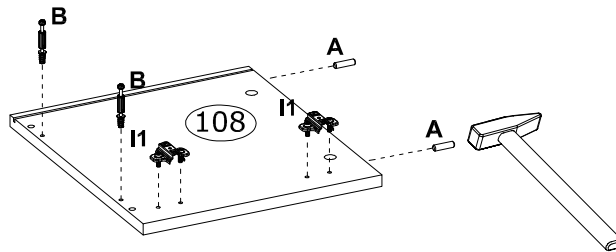
3

<b>A</b> Ø8x30 mm  x4 3989	<b>J1</b> Ø35 mm, KR8  x4 67350	
---	---	--


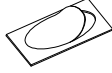
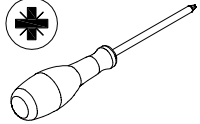


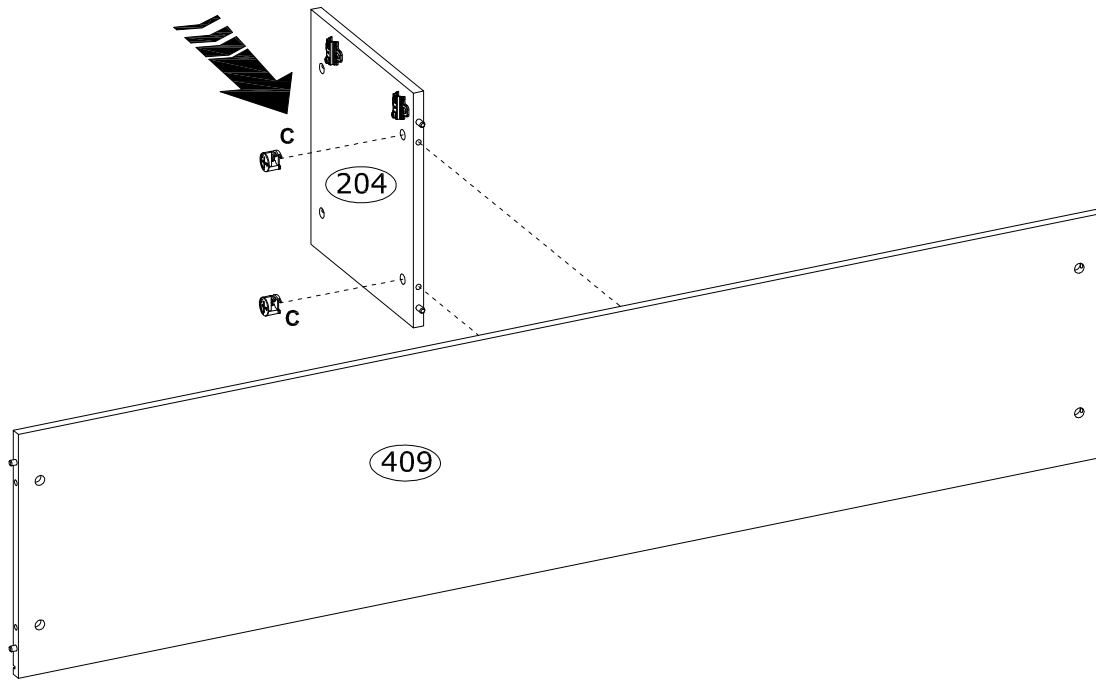
4

<b>I1</b> Ø35 mm, KR0  x2 IN01640	<b>B</b> Ø6,5x36,5 mm  x2 4066	<b>A</b> Ø8x30 mm  x2 3989	
--	---	---	---



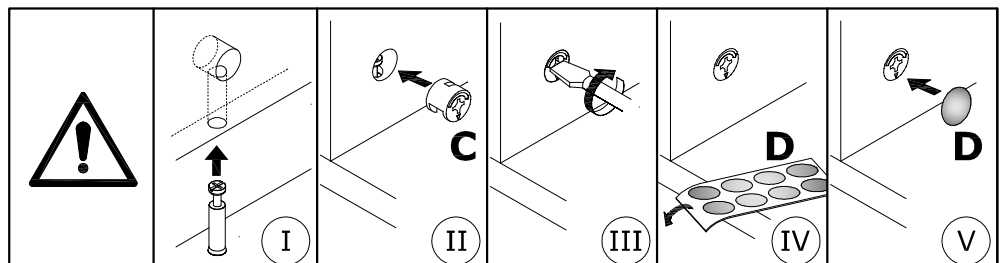
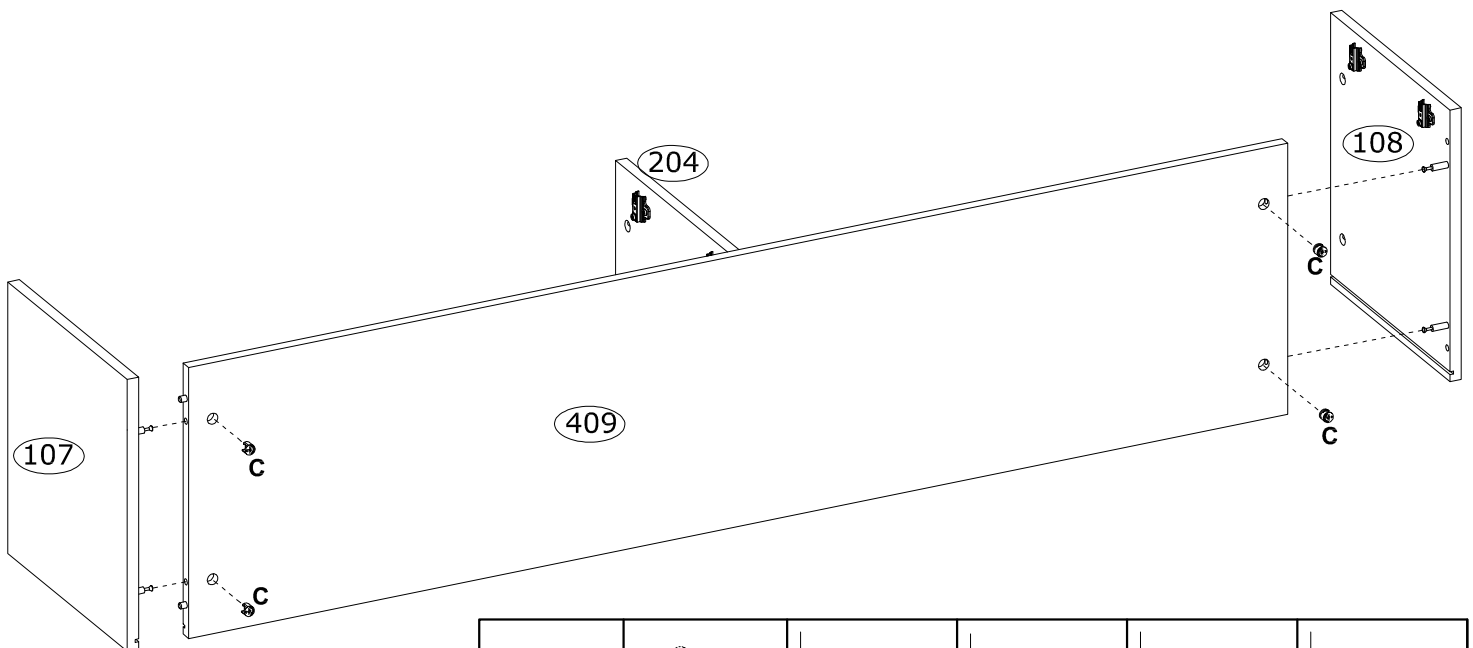
5

<b>C</b> Ø15x12 mm  x2 3996	<b>D</b> Ø20 mm  x2 136239	
--	---	--



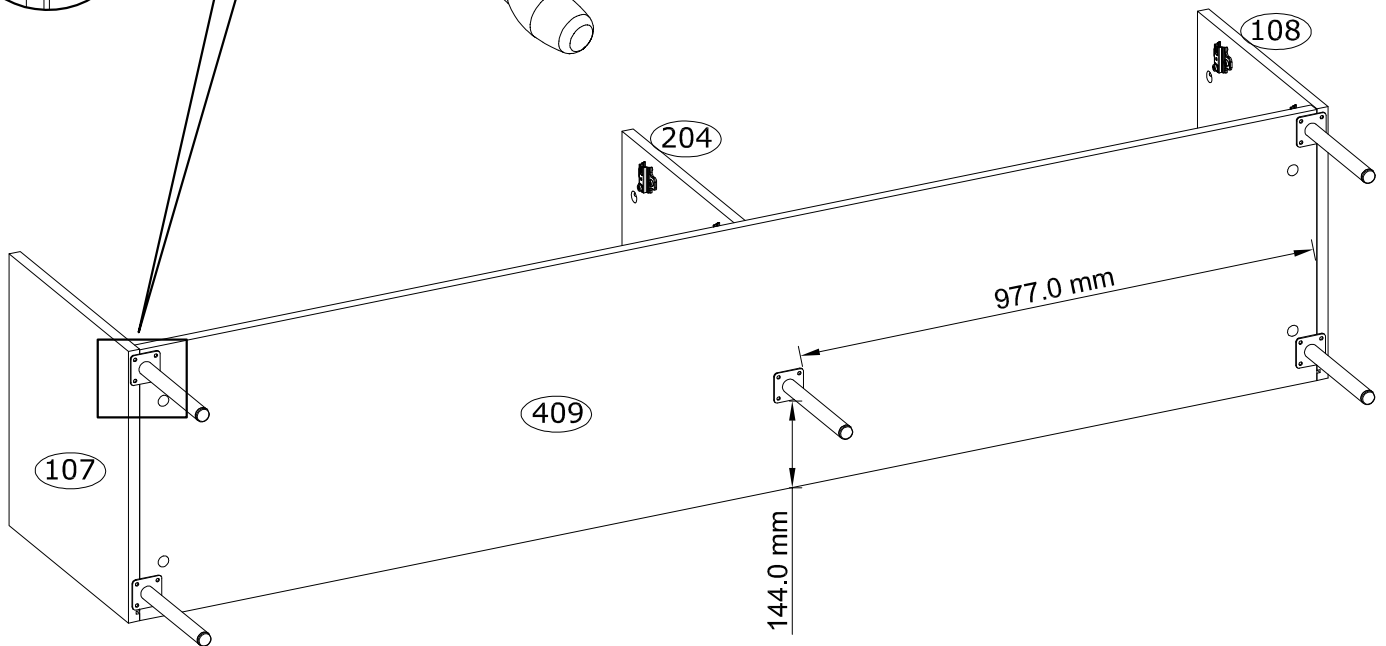
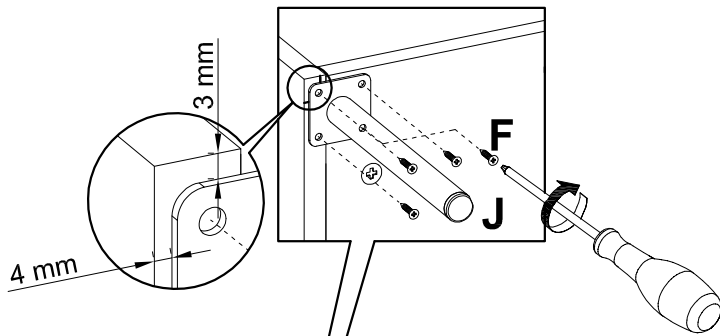
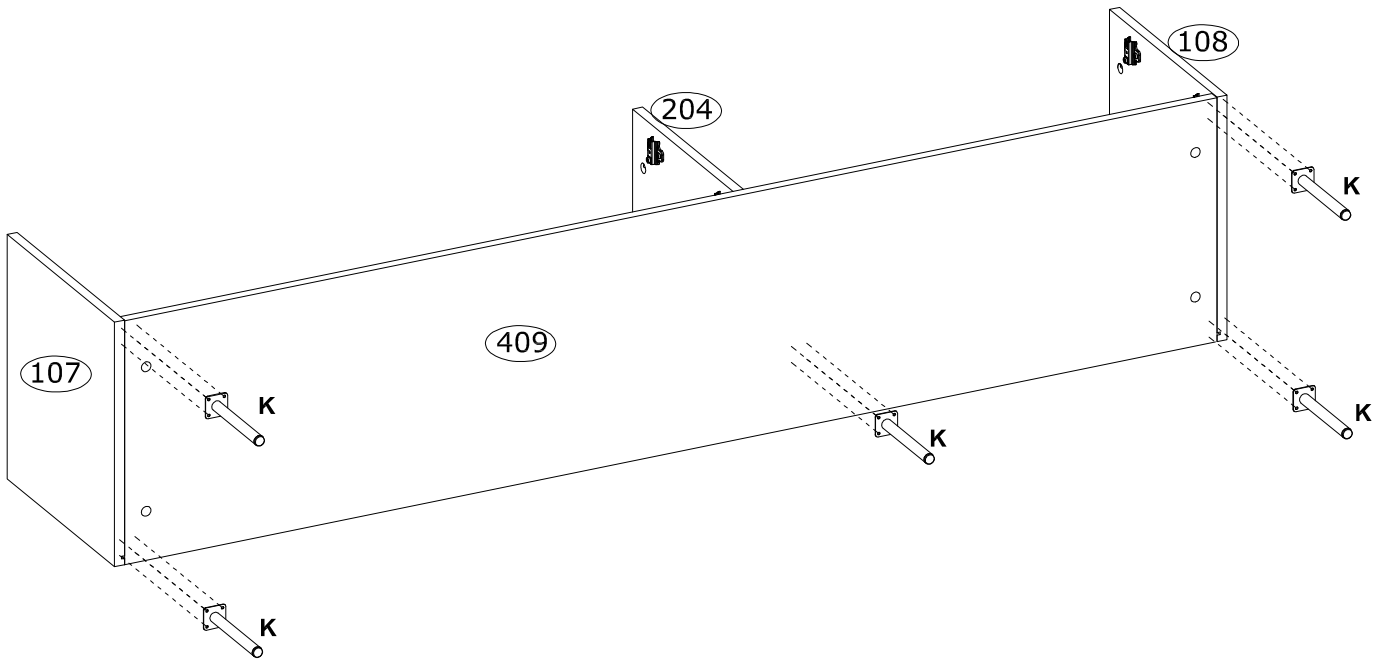
6

<b>C</b> Ø15x12 mm  x4 3996	<b>D</b> Ø20 mm  x2 136239	
--	---	---

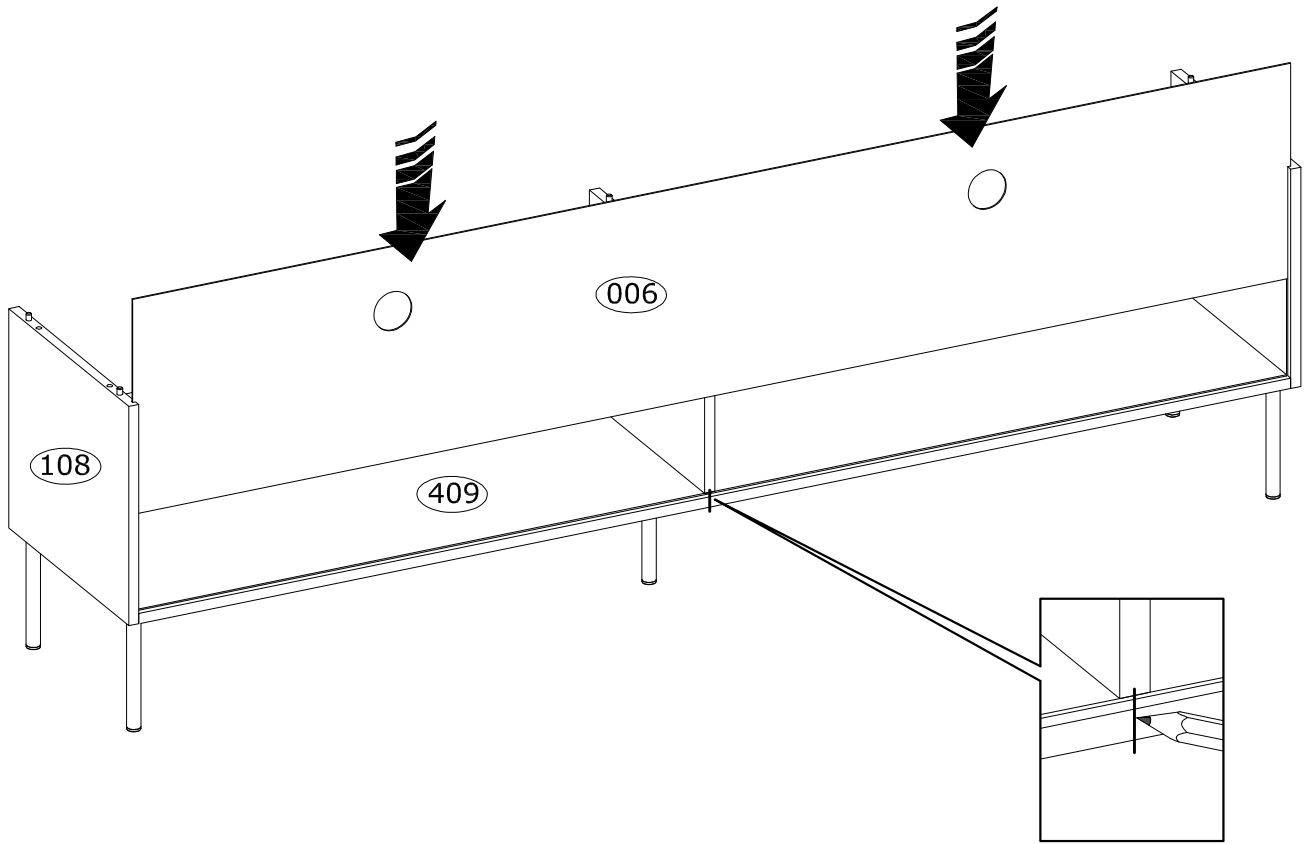


7

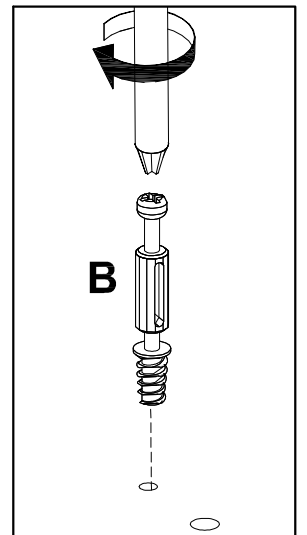
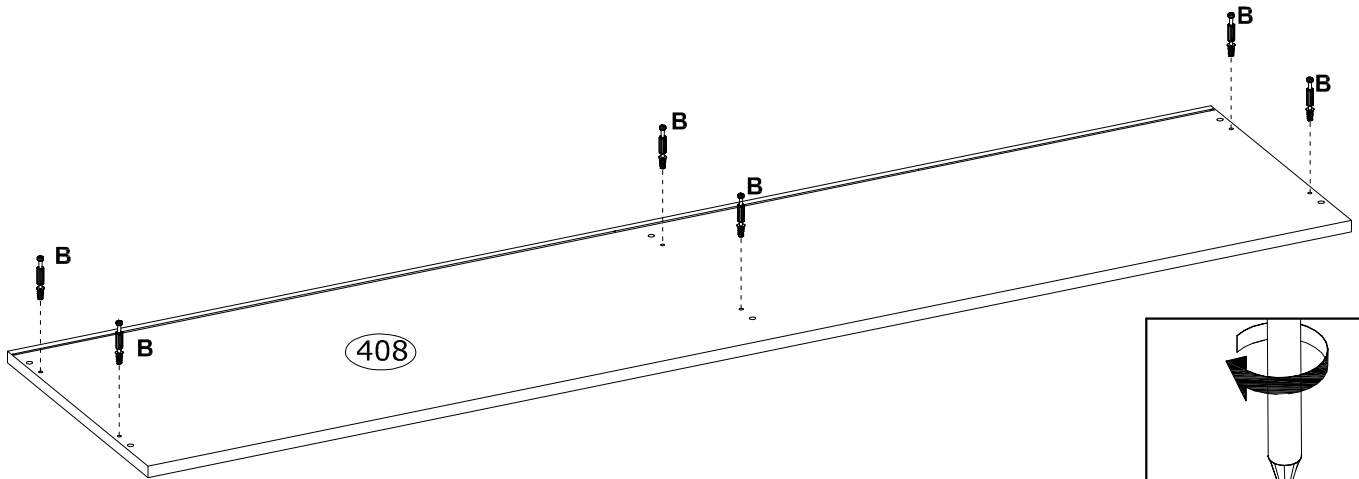
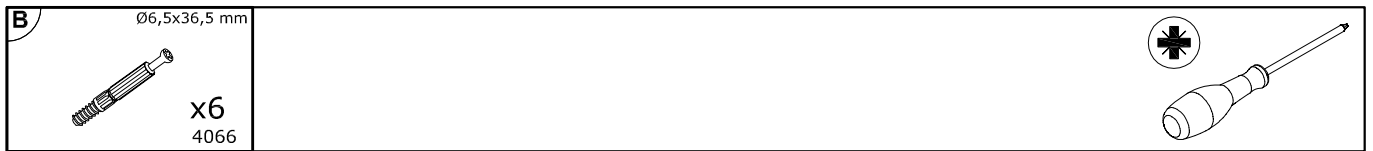
<b>K</b> Ø20, H-180 x5 232943	<b>F</b> Ø3,5x16 mm x20 3918	
--	---------------------------------------	--



8

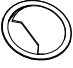

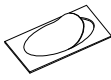
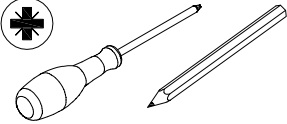


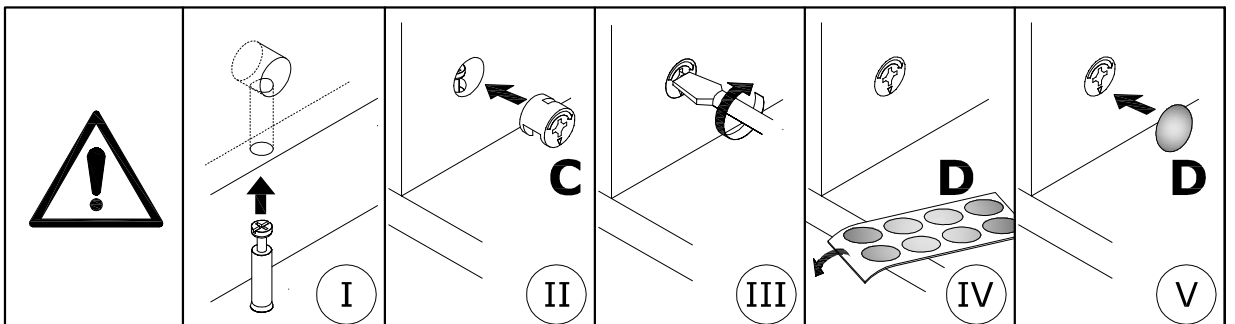
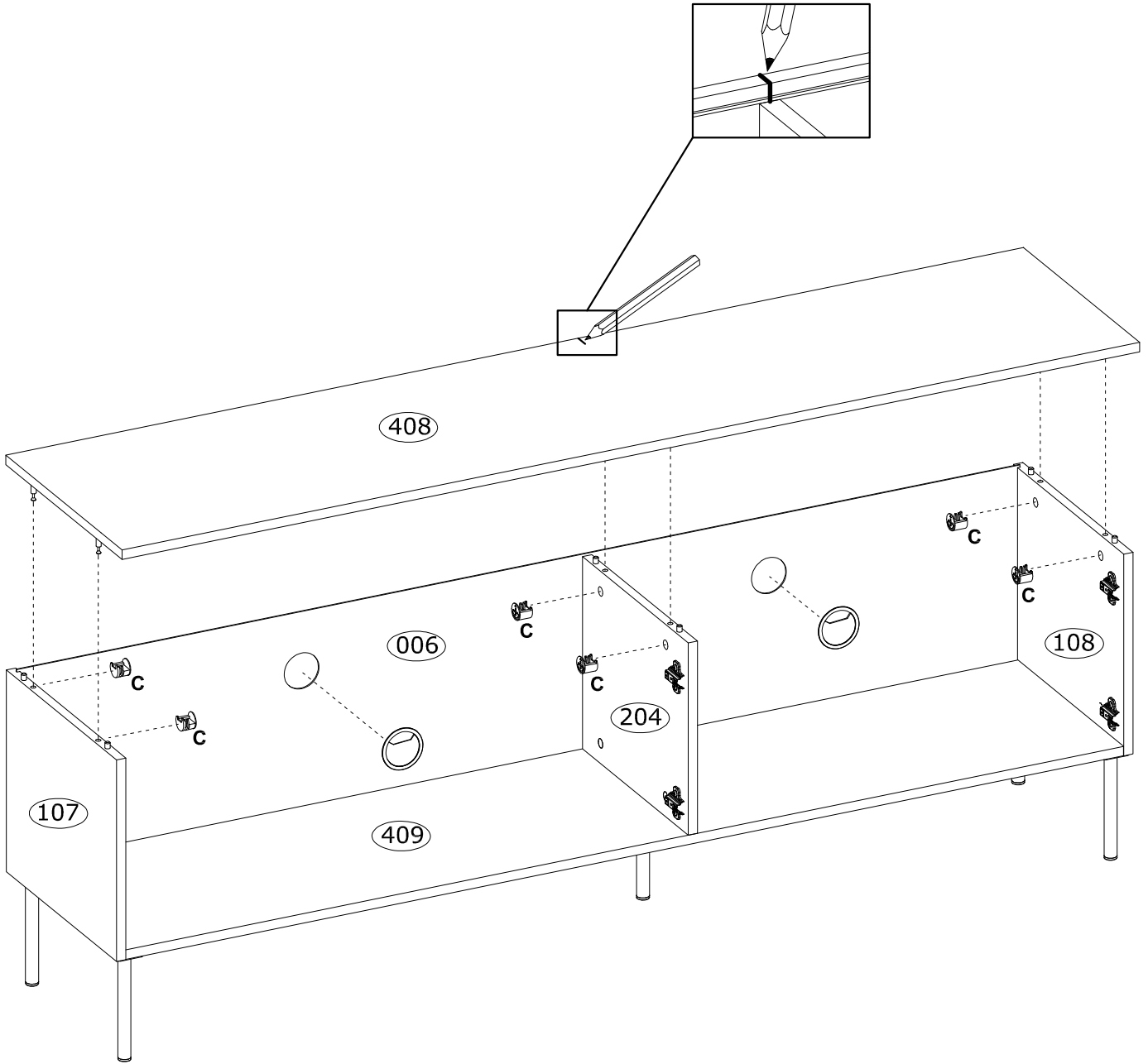
9




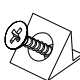


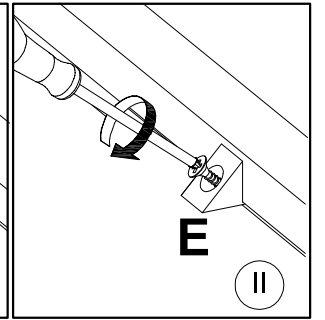
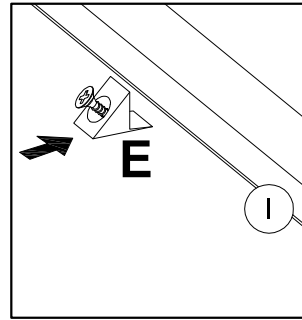
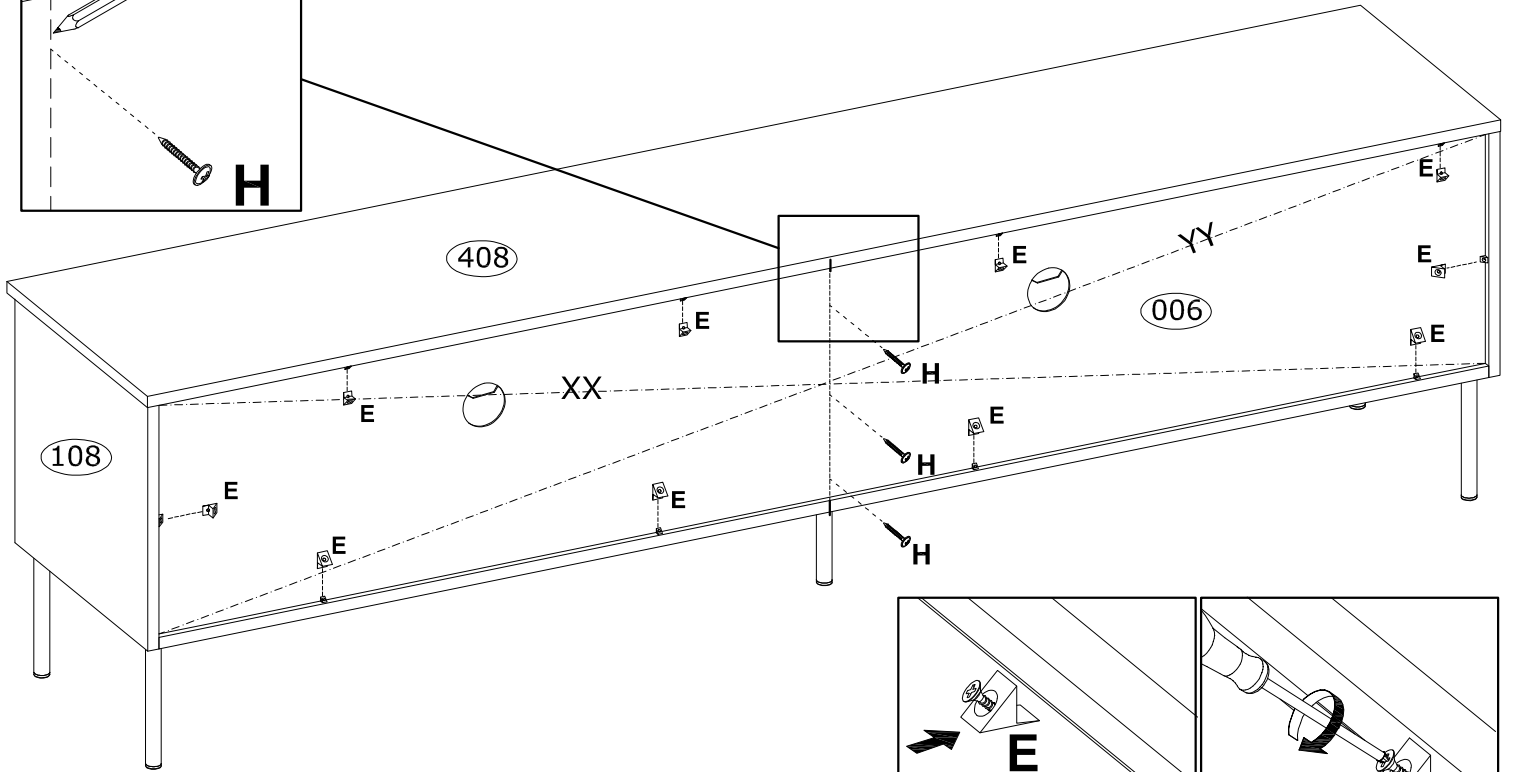
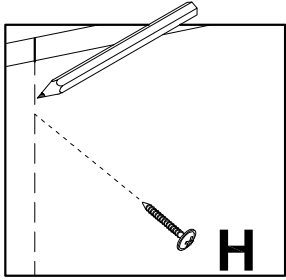
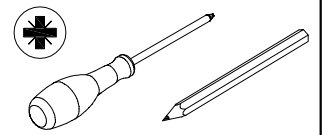
10

<b>G</b> Ø60x4 mm  x2 4034	<b>C</b> Ø15x12 mm  x6 3996	<b>D</b> Ø20 mm  x6 136239	
---	--	---	--

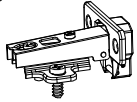




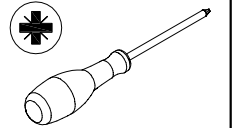
11

<b>H</b>	Ø3,0x25 mm	<b>E</b>	15x14x11 mm
			
x3		x10	
3887		4044	

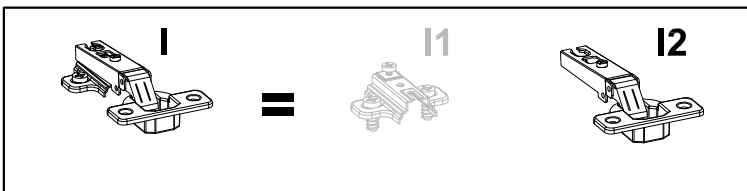
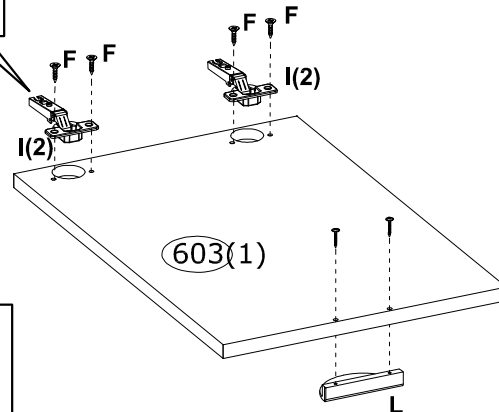
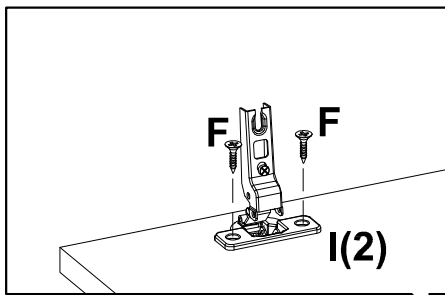


12

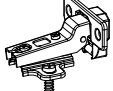


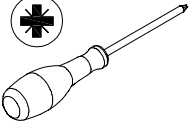
<b>I</b>	Ø35 mm , KR0	<b>F</b>	Ø3,5x16 mm	<b>L</b>	96X48X20 mm
					
x4		x8		x2	
IN01640		3918		236246 236248	



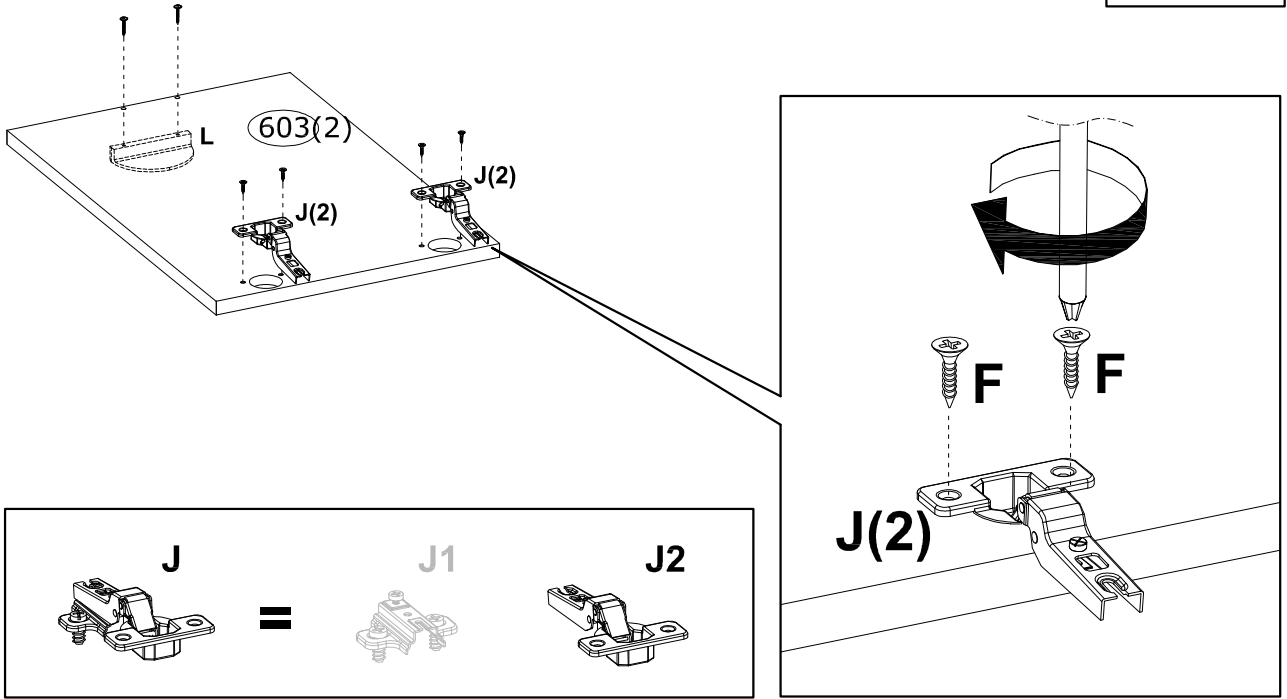
x2



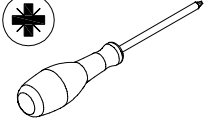
13

<b>J</b> Ø35 mm , KR8  x4 67350	<b>F</b> Ø3,5x16 mm  x8 3918	<b>L</b> 96x48x20 mm  x2 236246 236248	
--	---	---	--

x2



14


---

