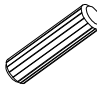
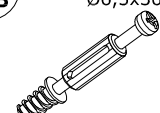






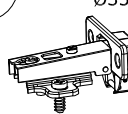
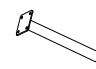


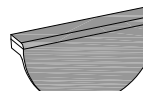
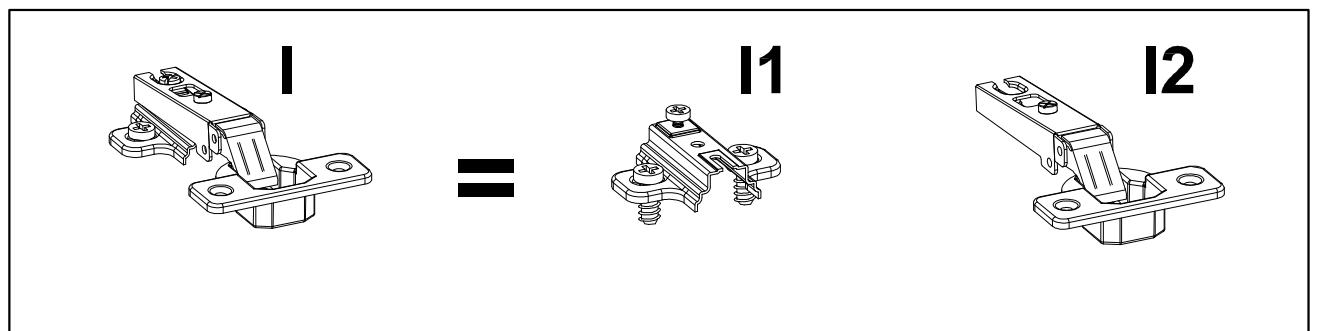
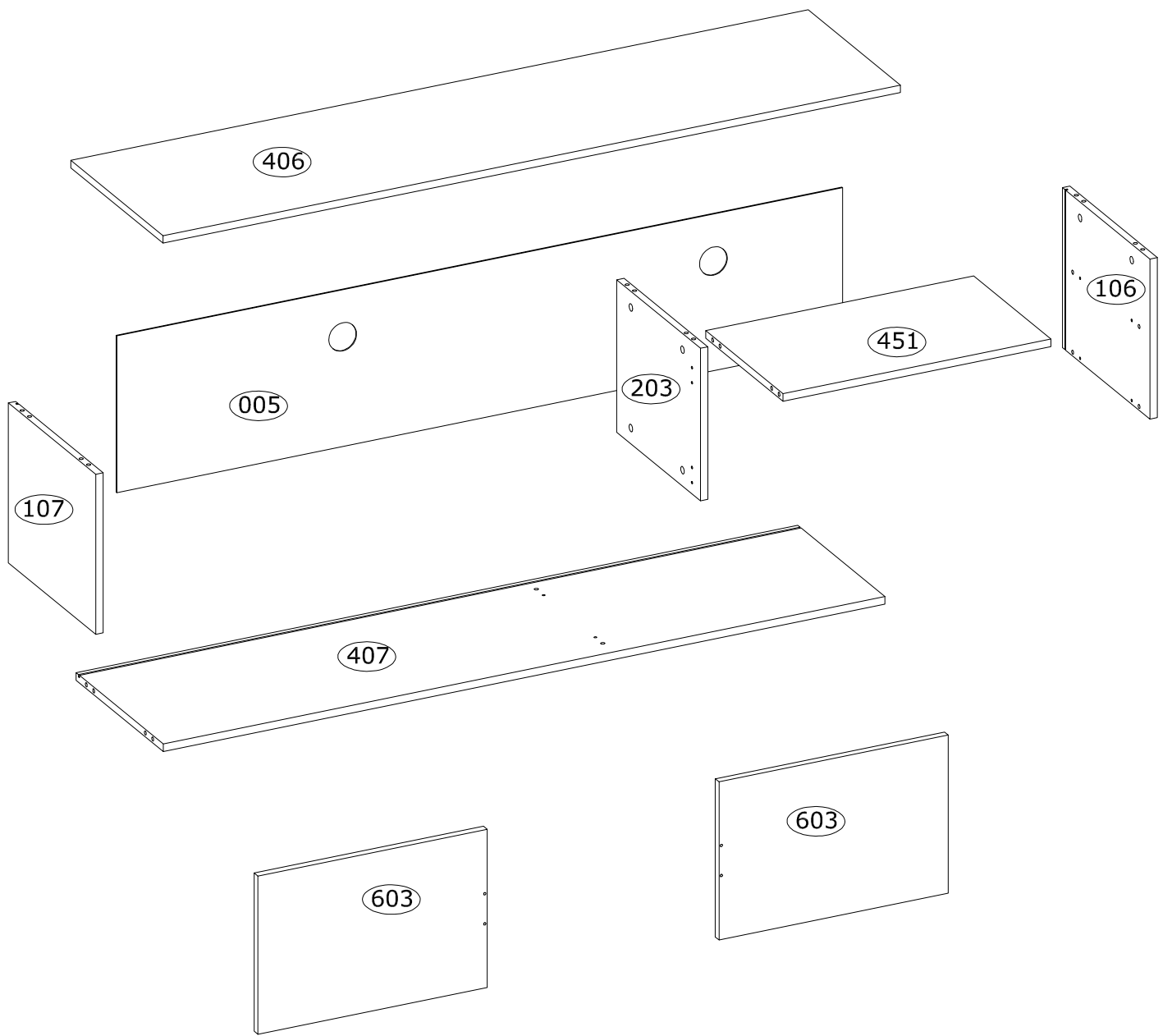


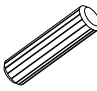

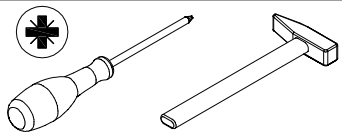
A Ø8x30 mm  x16 3989	B Ø6,5x36,5 mm  x16 4066	C Ø15x12 mm  x16 3996	D Ø20 mm  x8 136239	E 15x14x11 mm  x10 4044
F Ø3,5x16 mm  x28 3918	G Ø60x4 mm  x2 4034	H Ø3,0x25 mm  x3 3887	I Ø35 mm , KR0  x4 IN01640	J Ø20, H-180  x5 232943
K 96X48X20 mm  x2 236246 236248				

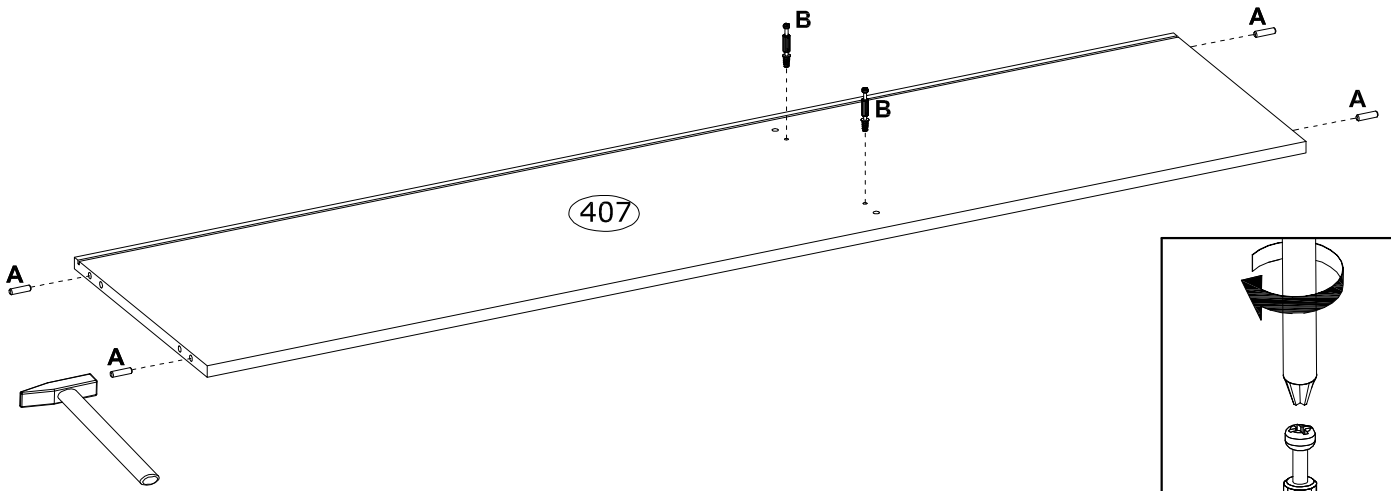
K 96X48X20 mm  x2 UMOOG64 236246	K 96X48X20 mm  x2 UM00BL64 236248
--	---



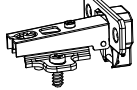

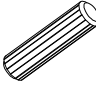
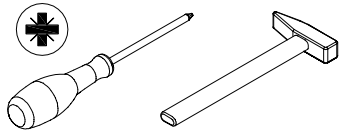


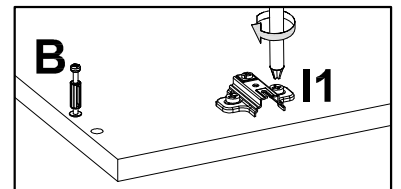
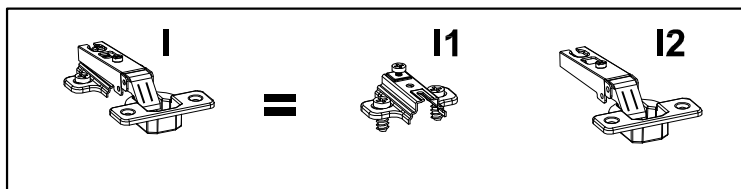
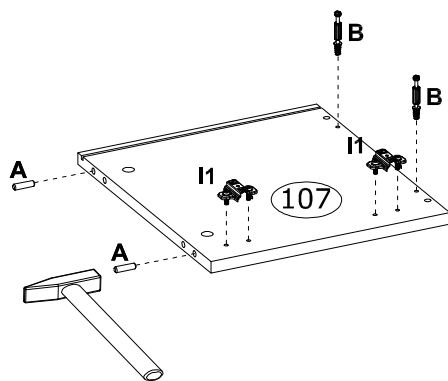
1

A $\varnothing 8 \times 30$ mm  x4 3989	B $\varnothing 6,5 \times 36,5$ mm  x2 4066	
---	---	--

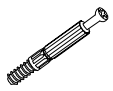
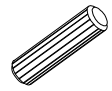
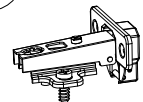
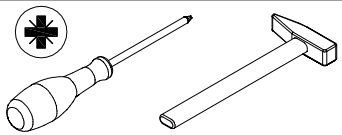


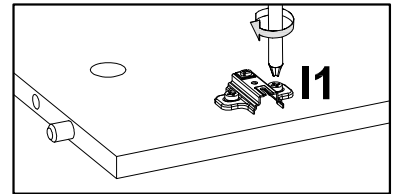
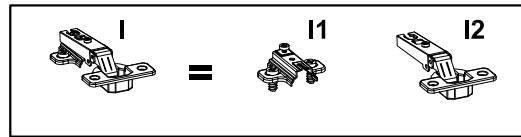
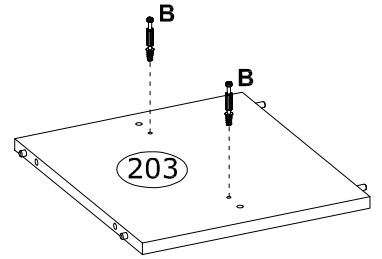
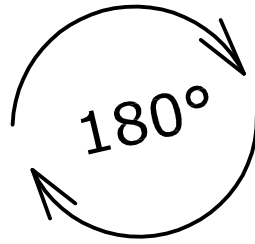
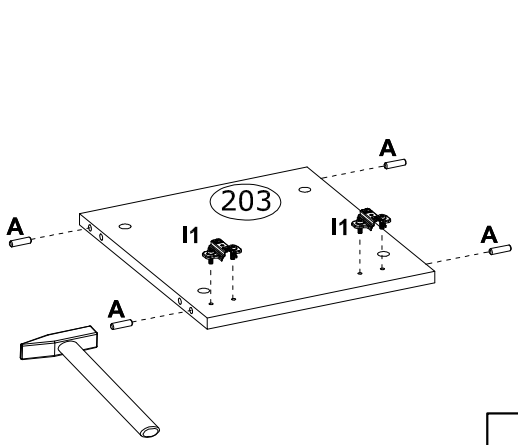
2

I $\varnothing 35$ mm, KR0  x2 IN01640	B $\varnothing 6,5 \times 36,5$ mm  x2 4066	A $\varnothing 8 \times 30$ mm  x2 3989	
--	---	---	---

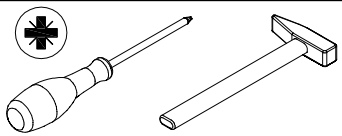


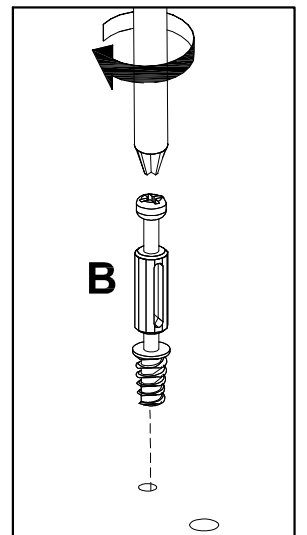
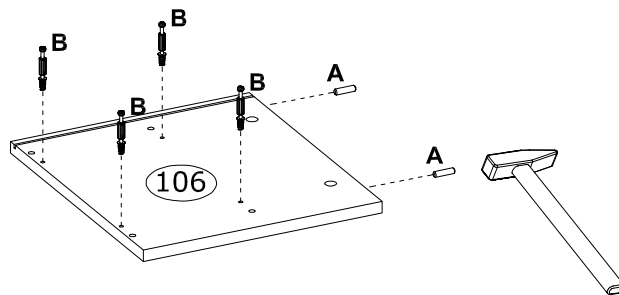
3

B Ø6,5x36,5 mm  x2 4066	A Ø8x30 mm  x4 3989	I Ø35 mm , KR0  x2 IN01640	
---	---	---	--

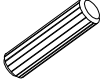


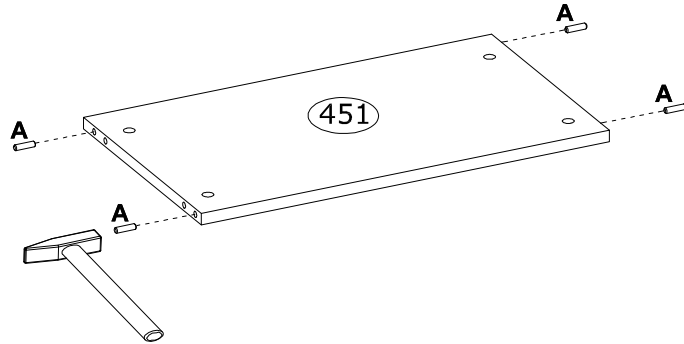
4

B Ø6,5x36,5 mm  x4 4066	A Ø8x30 mm  x2 3989	
--	--	--


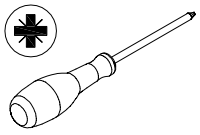


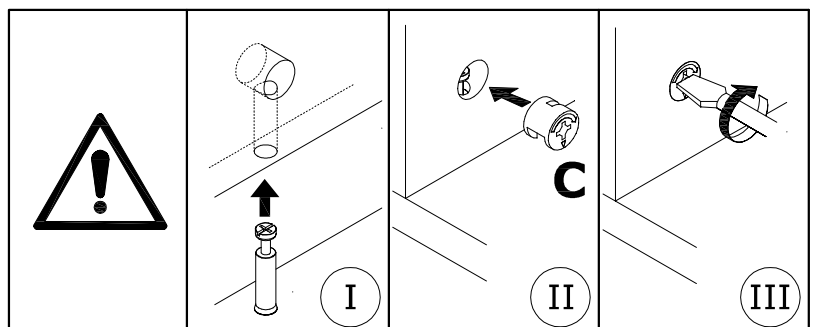
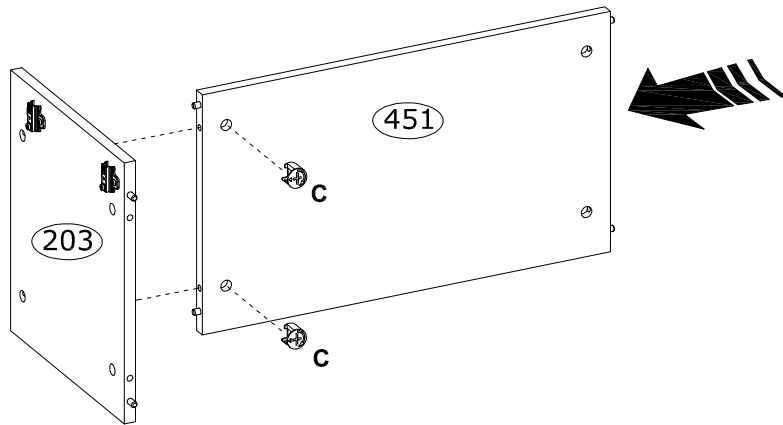
5

A	$\varnothing 8 \times 30$ mm		x4 3989	
----------	------------------------------	---	------------	--


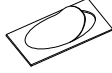
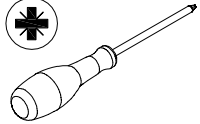


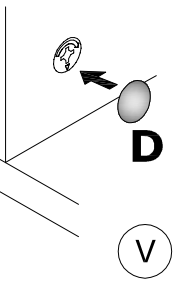
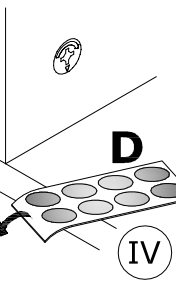
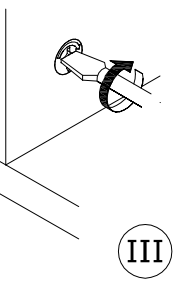
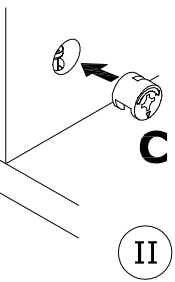
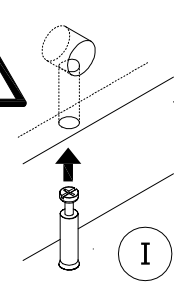

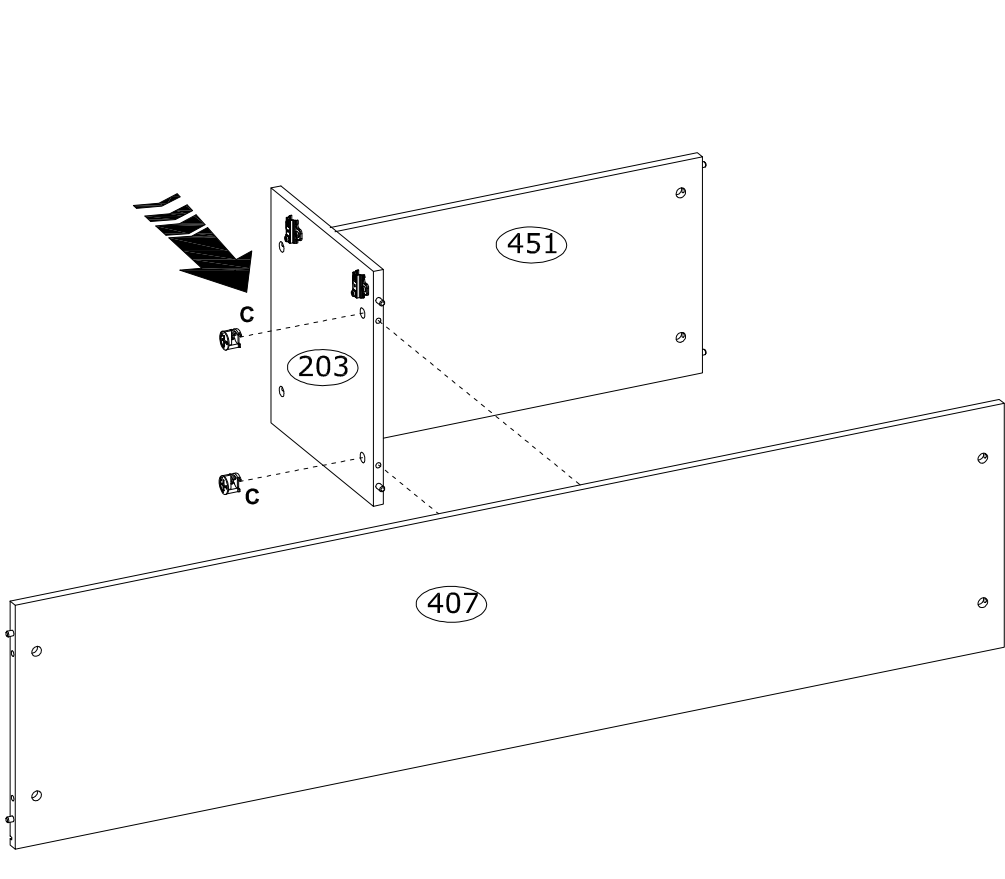
6

C	$\varnothing 15 \times 12$ mm		x2 3996	
----------	-------------------------------	--	------------	--

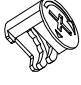
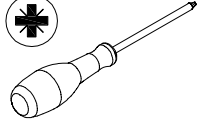


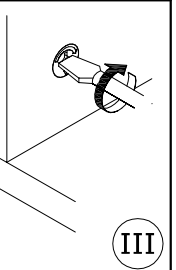
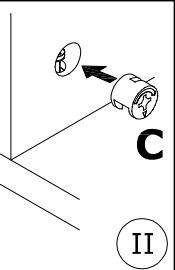
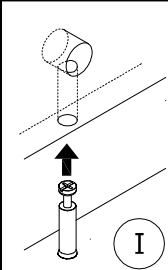

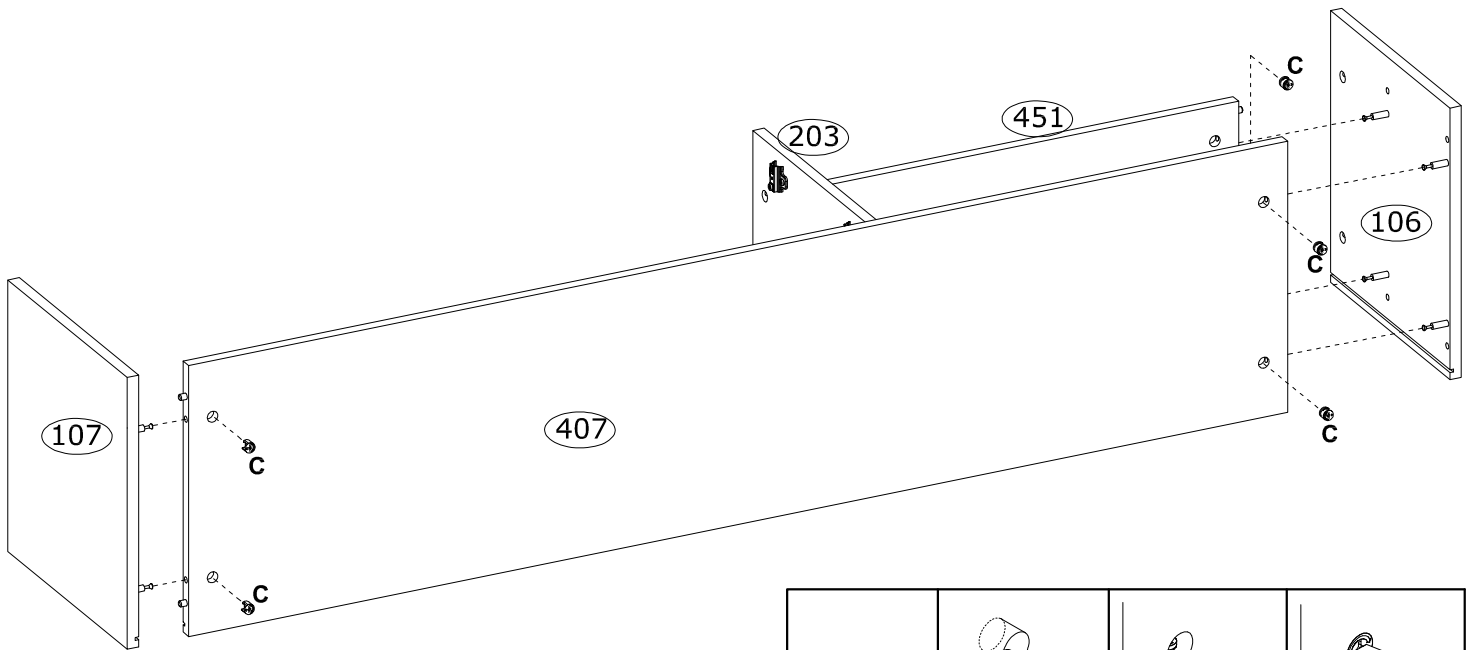
7

C Ø15x12 mm  x2 3996	D Ø20 mm  x2 136239	
--	---	--



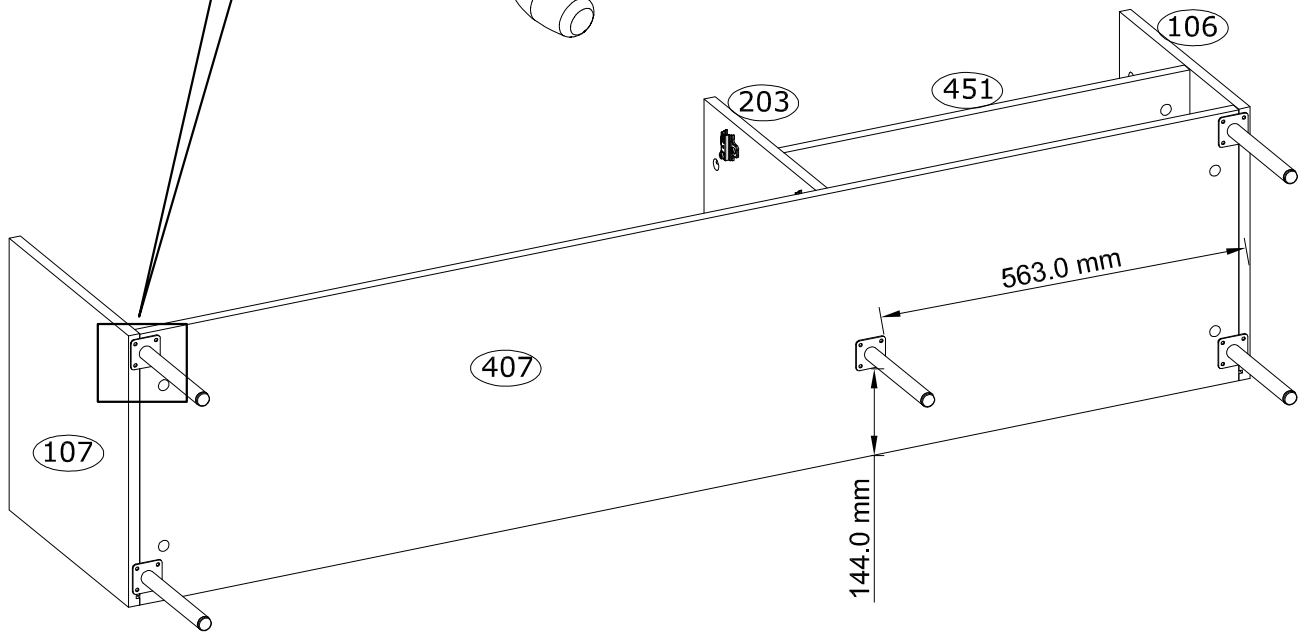
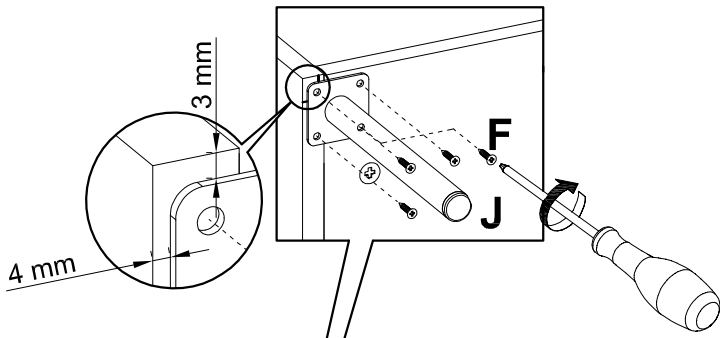
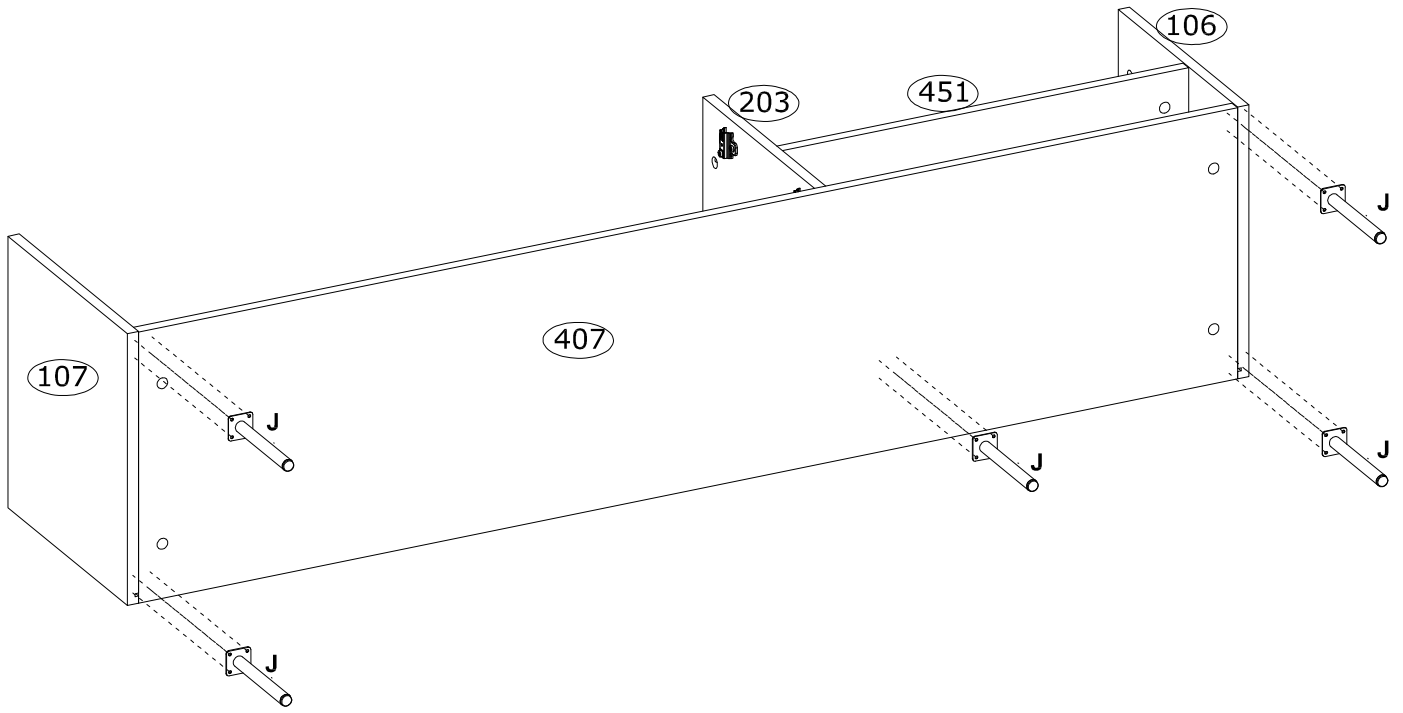
8

C Ø15x12 mm  x6 3996	
--	---

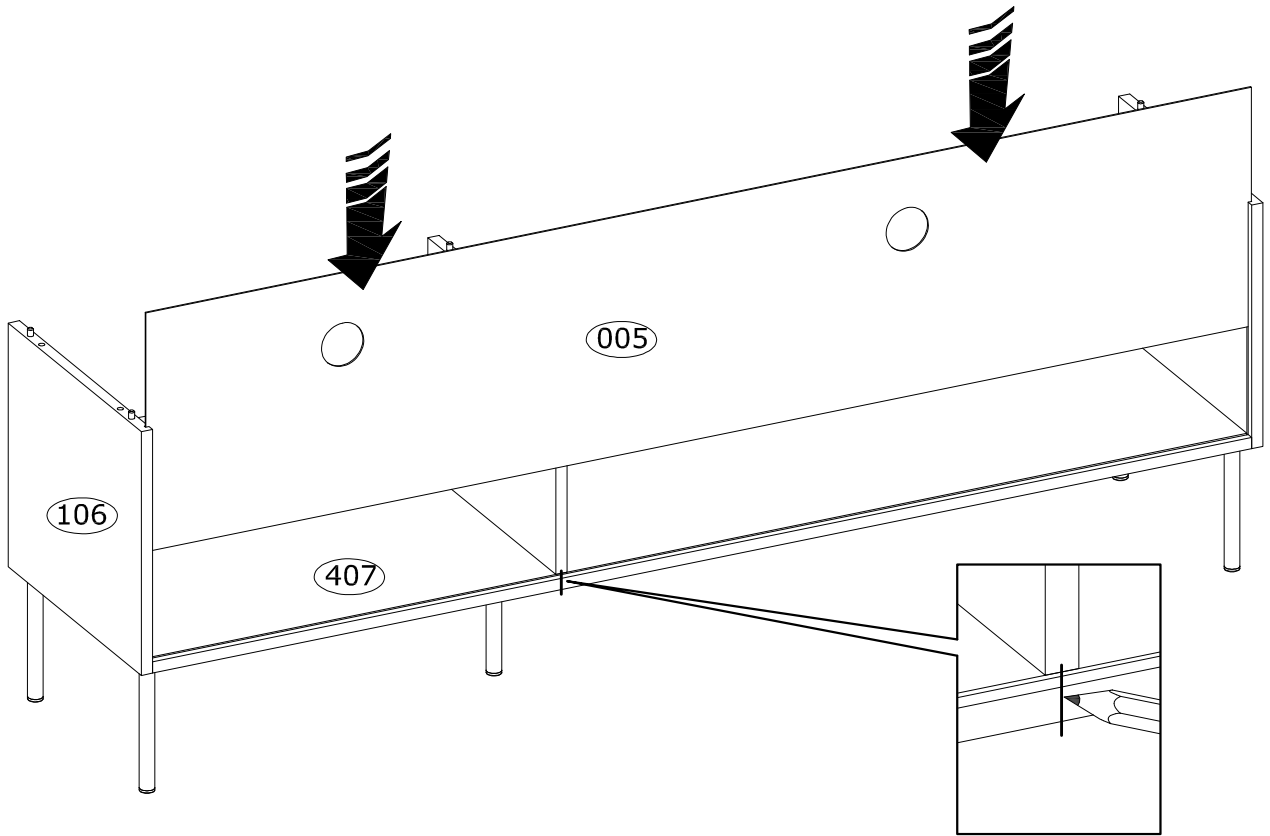


9

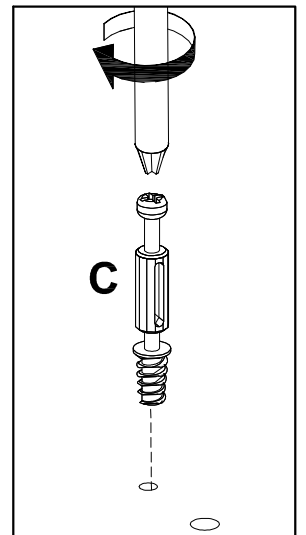
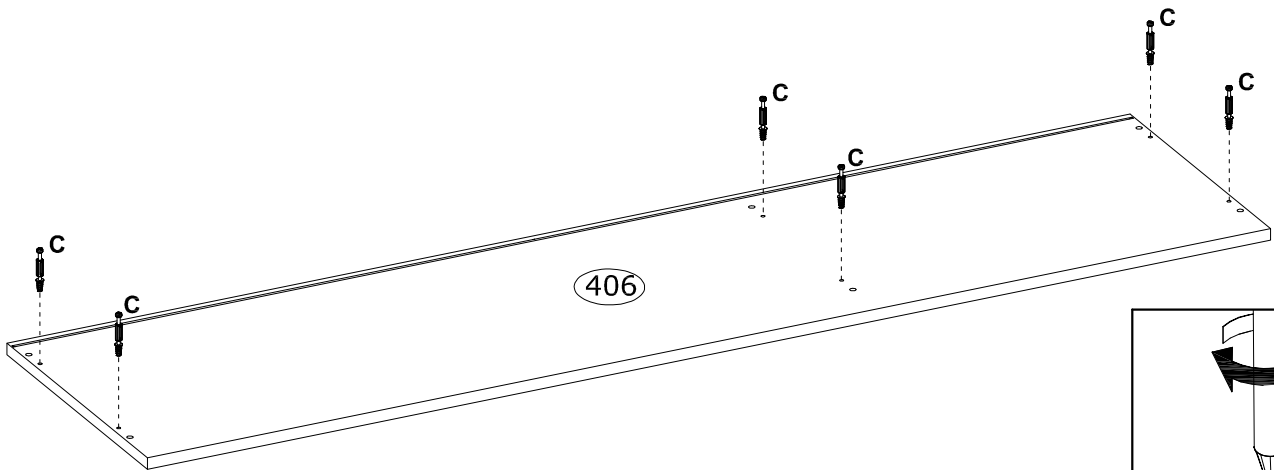
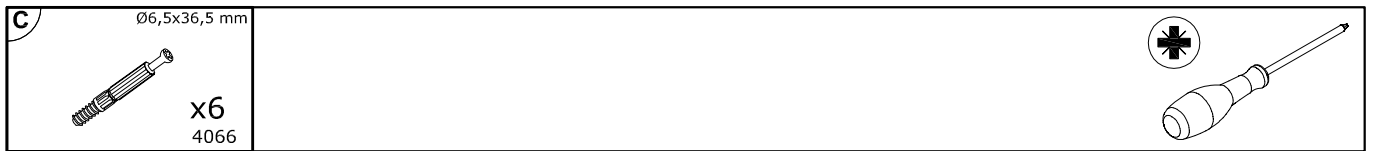
J Ø20, H-180 x5 232943	F Ø3,5x16 mm x20 3918	
--	---------------------------------------	--






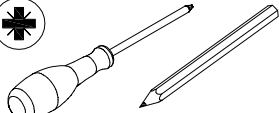
10

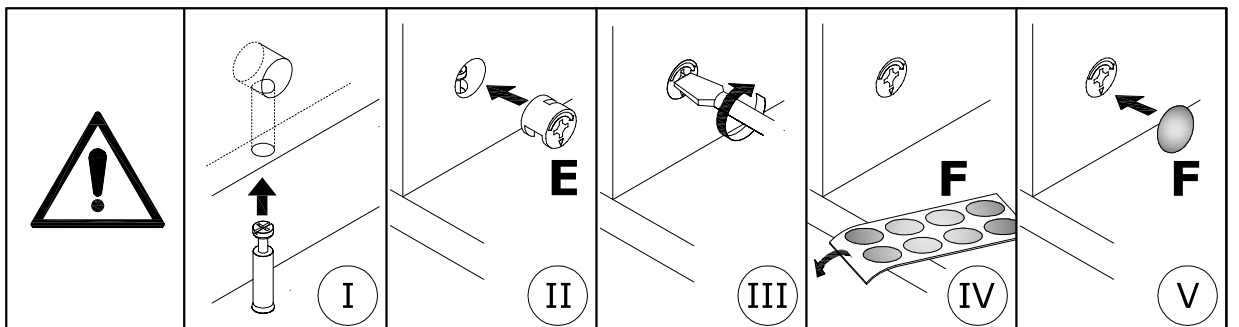
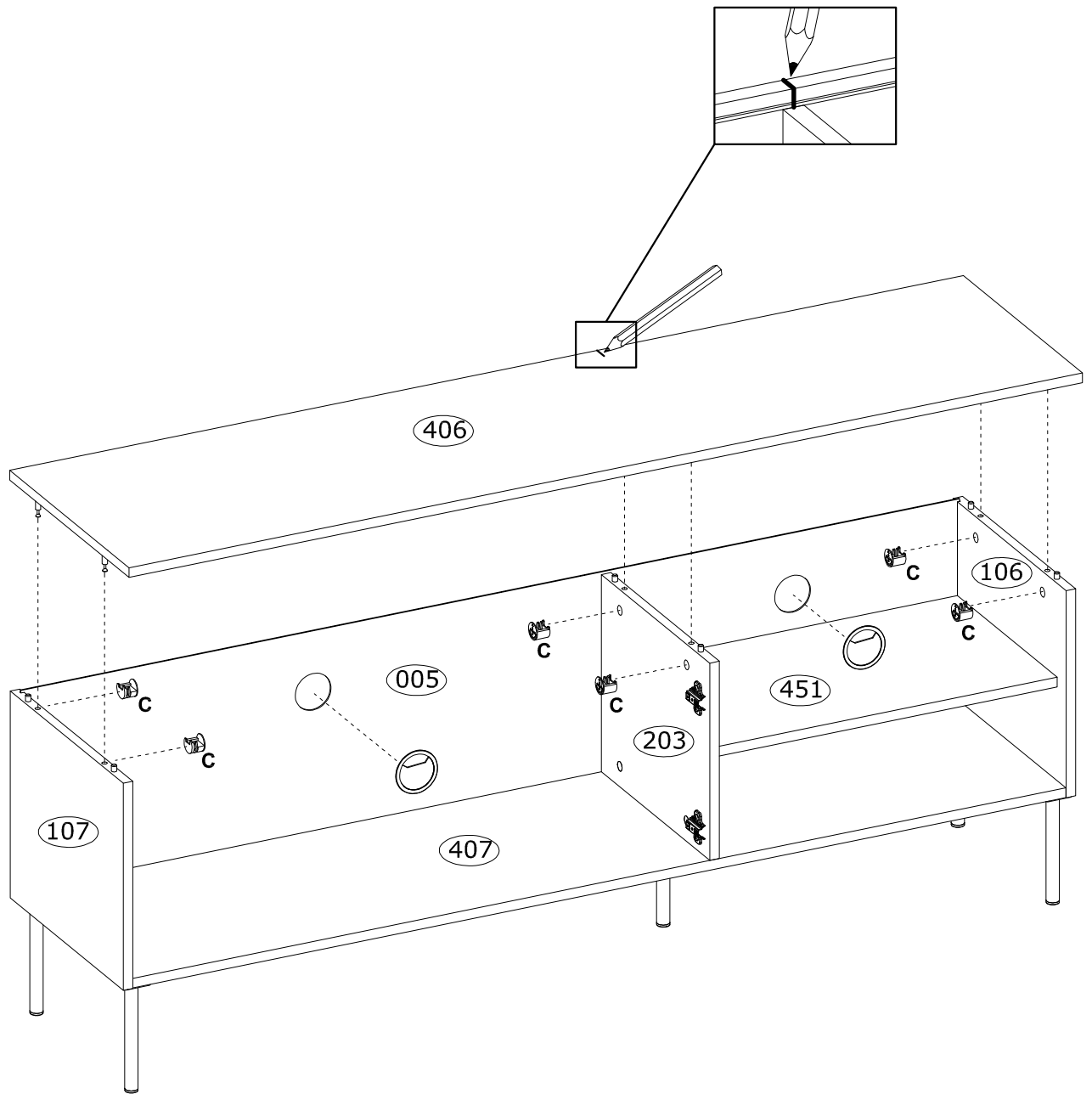


11



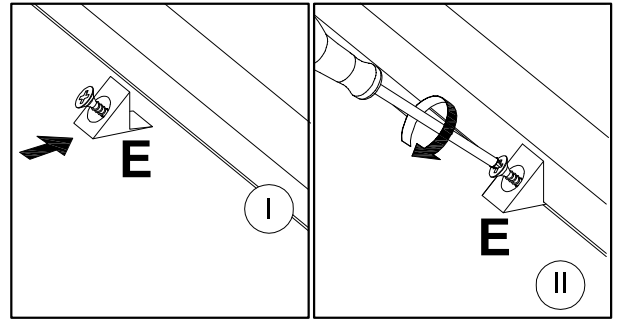
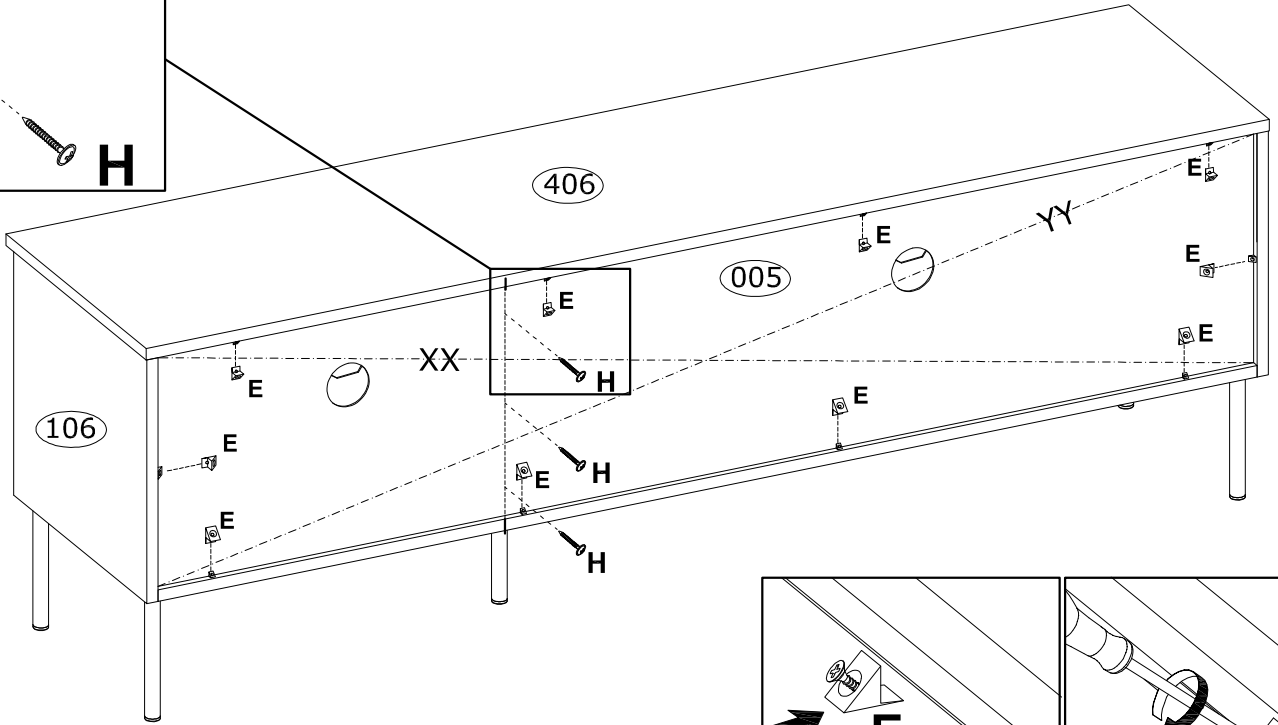
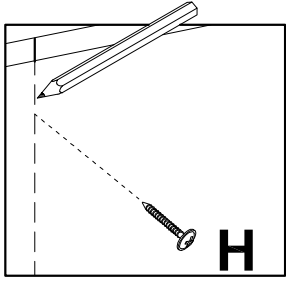
12

G Ø60x4 mm  x2 4034	C Ø15x12 mm  x6 3996	F Ø20 mm  x6 136239	
---	--	---	--

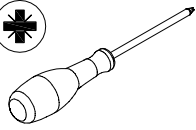


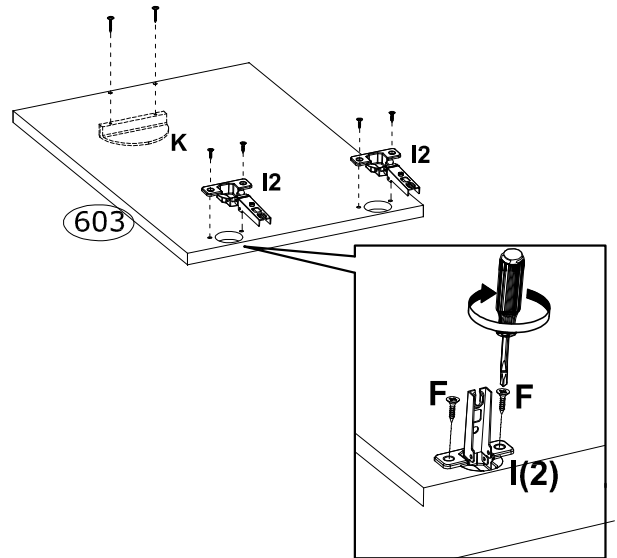
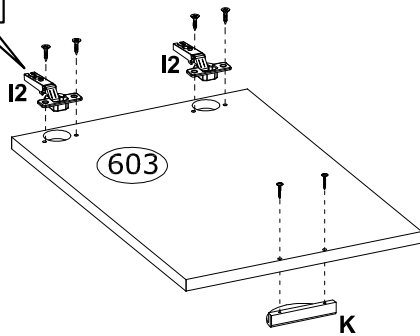
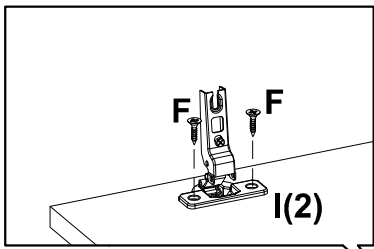
13

H Ø3,0x25 mm x3 3887	E 15x14x11 mm x10 4044	
--------------------------------------	--	--

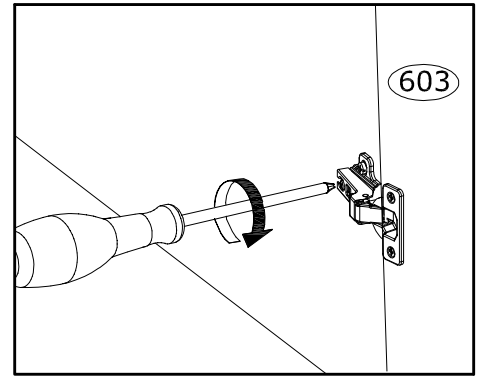
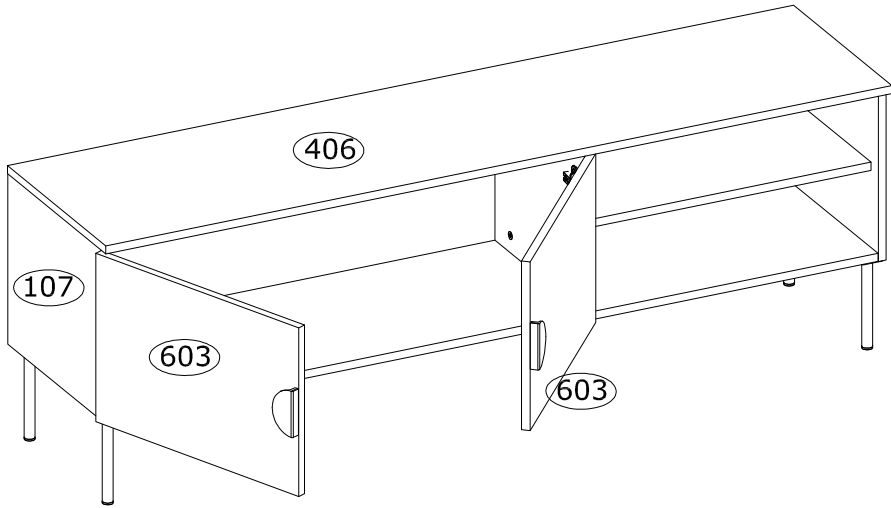


14

K 96x48x20 mm x2 236246 236248	I Ø35 mm, KR0 x4 IN01640	F Ø3,5x16 mm x8 3918	
--	--	--------------------------------------	---



15



16

