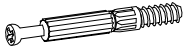
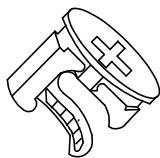

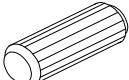
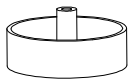
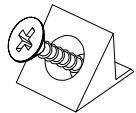

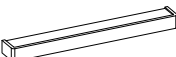
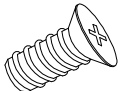
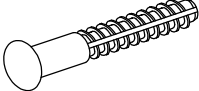
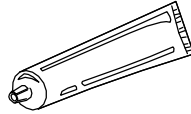
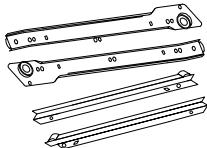
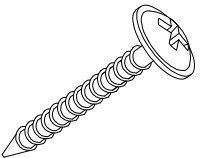
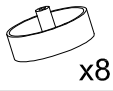


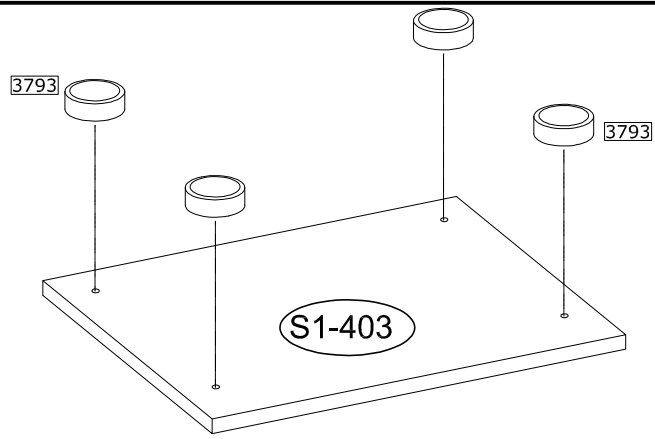
<p>4066</p>  <p>Ø6,5x36,5 mm x16</p>	<p>3996</p>  <p>Ø15x12 mm x16</p>	<p>4086</p>  <p>Ø15 mm x16</p>	<p>3989</p>  <p>Ø8x30 mm x32</p>
<p>3793</p>  <p>Ø60/20 mm x8</p>	<p>4044</p>  <p>15x14x11 mm x8</p>	<p>3918</p>  <p>Ø3,5x16 mm x16</p>	<p>IN01608</p>  <p>Ø3,5x16 mm x4</p>
<p>3877</p>  <p>Ø6,0x13 mm x16</p>	<p>IN01157</p>  <p>Ø12x42 mm x16</p>	<p>3983</p>  <p>10 g x2</p>	<p>3804</p>  <p>L-350 mm x4</p>
<p>3894</p>  <p>Ø4,0x30 mm x8</p>			

1

3793



x8

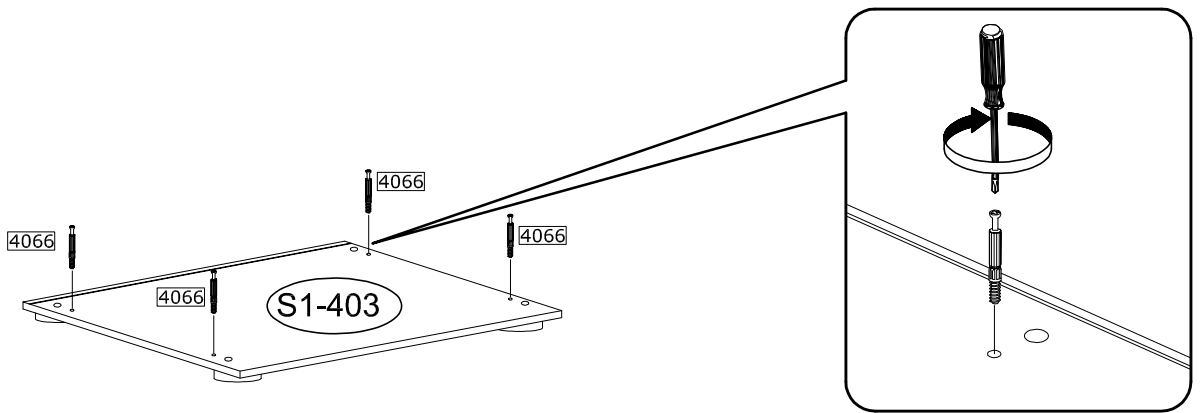


2

4066

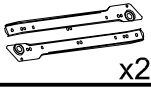


x8



3

3804



x2

3989

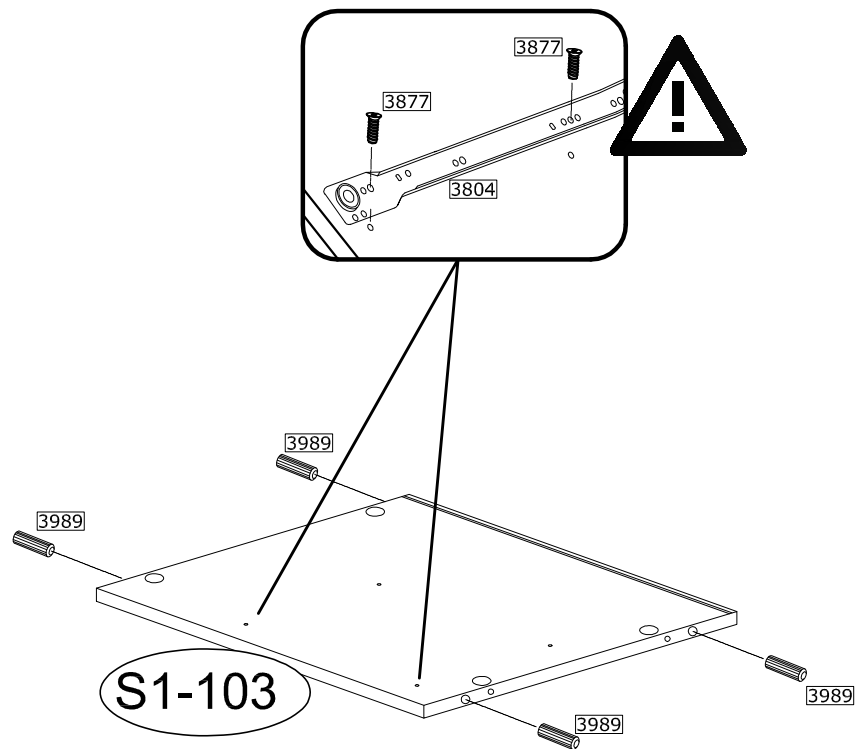
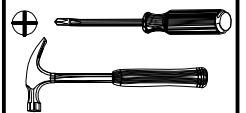


x8

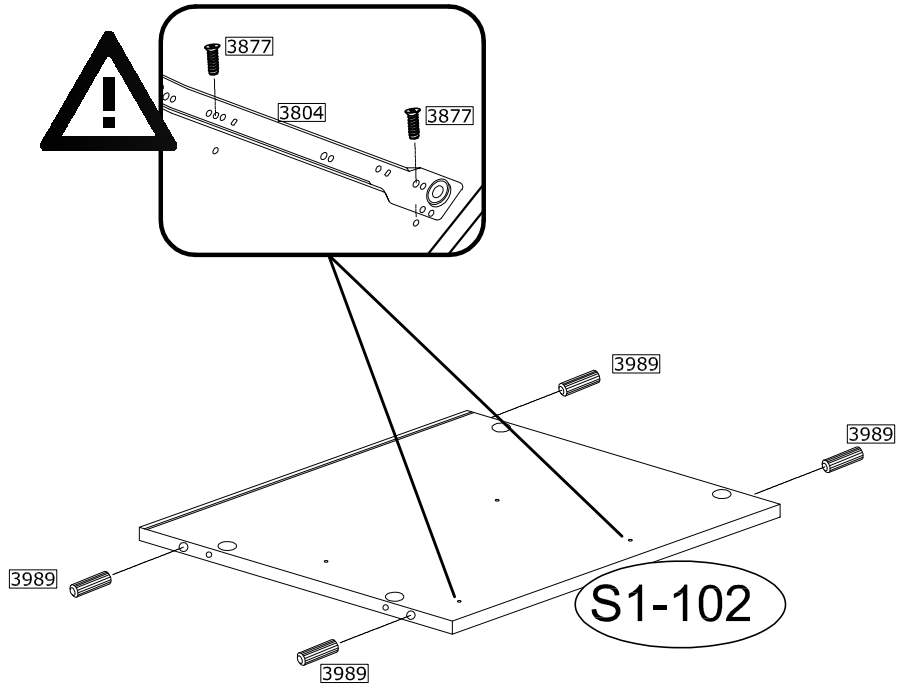
3877



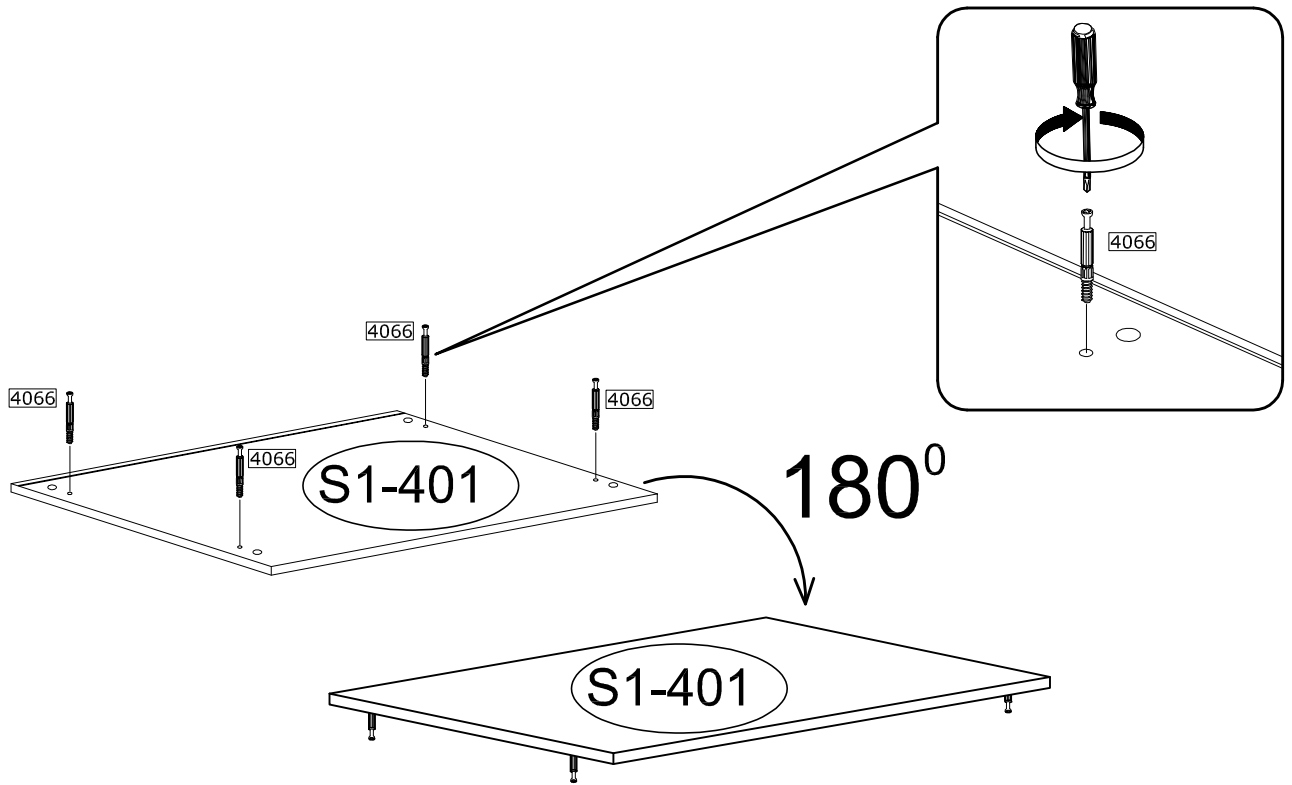
x8



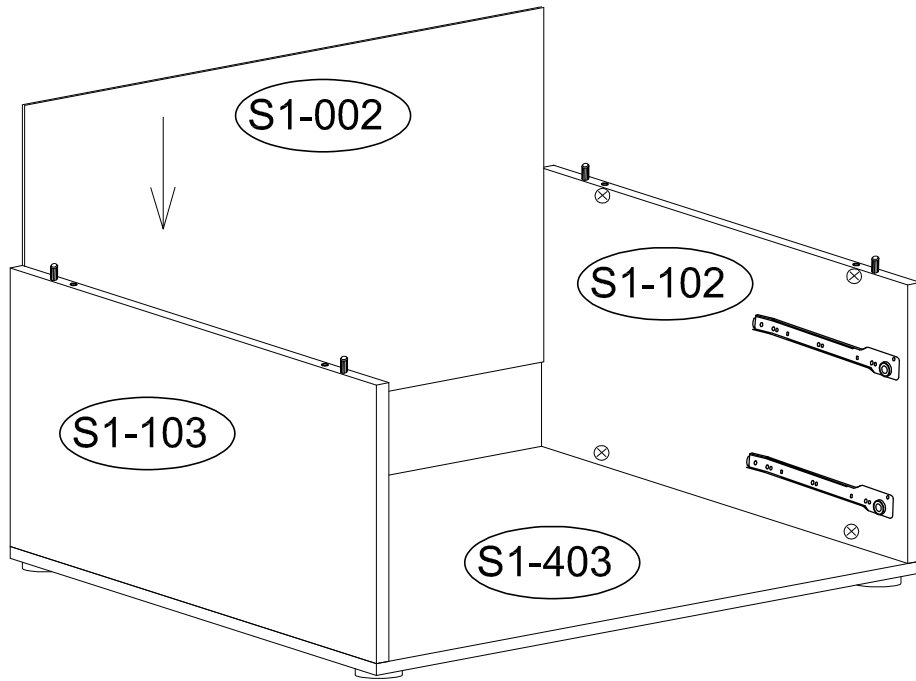
4



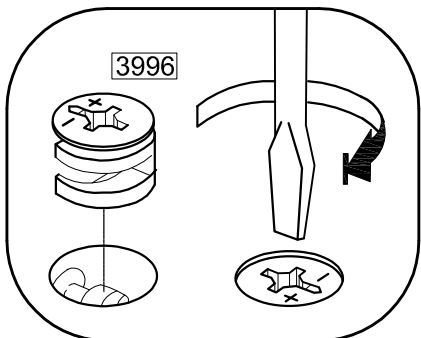
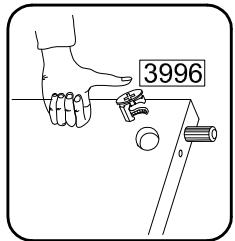
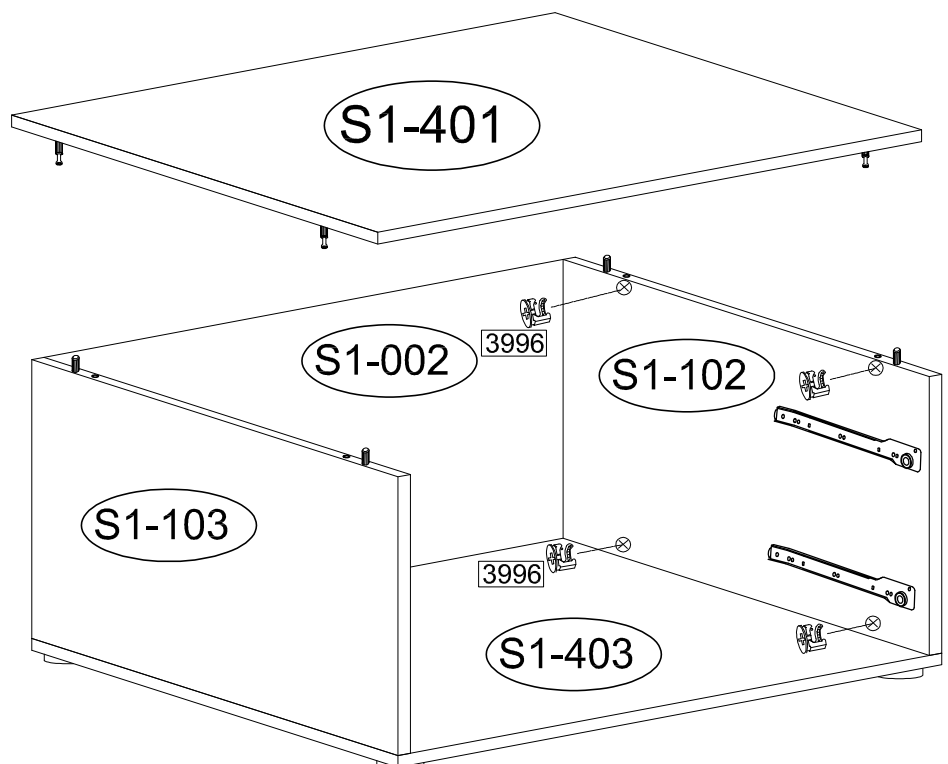
5



6

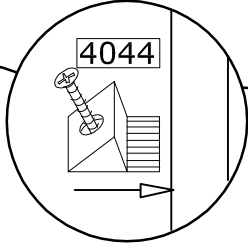
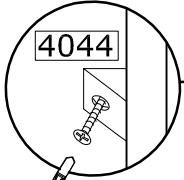
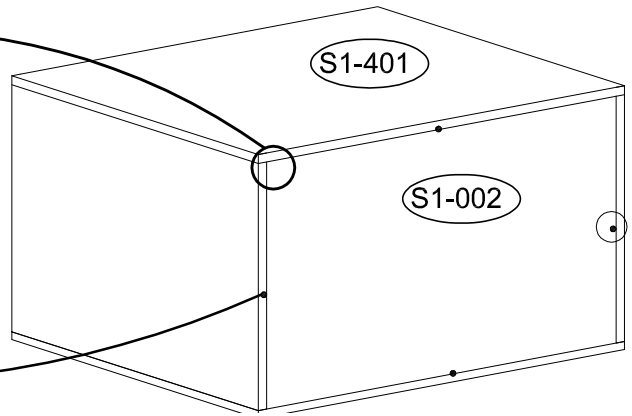
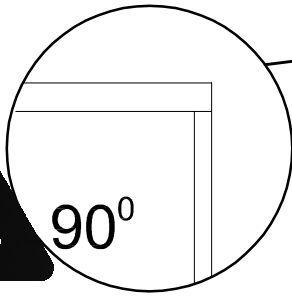
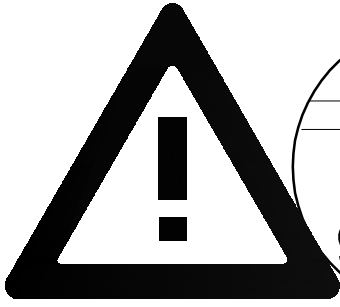


7








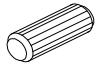


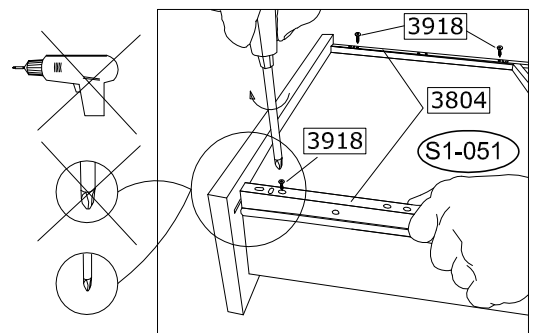
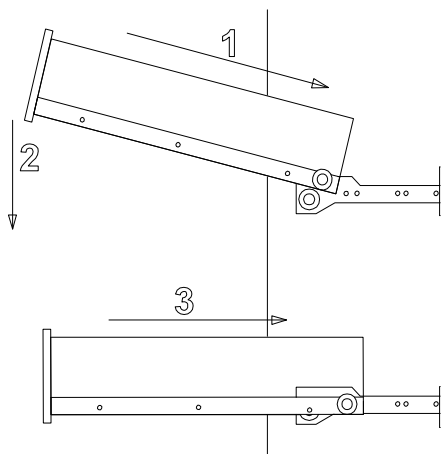
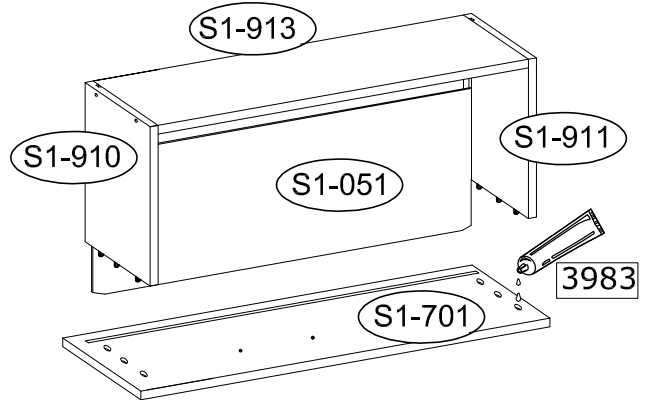
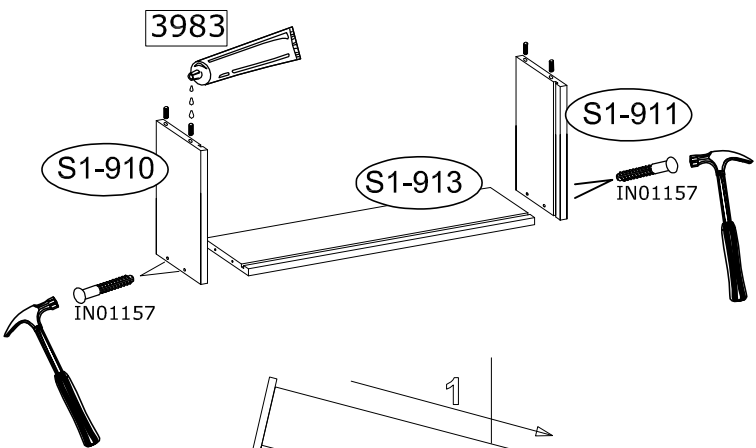
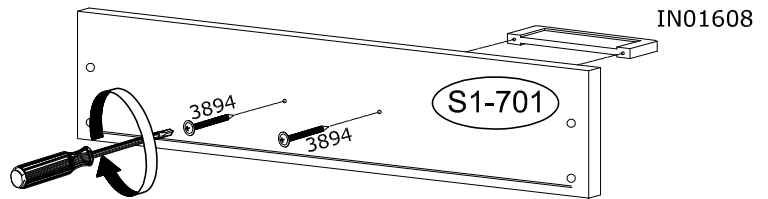
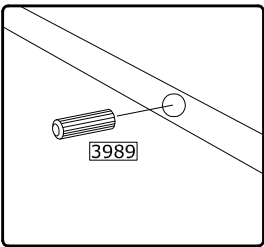
8

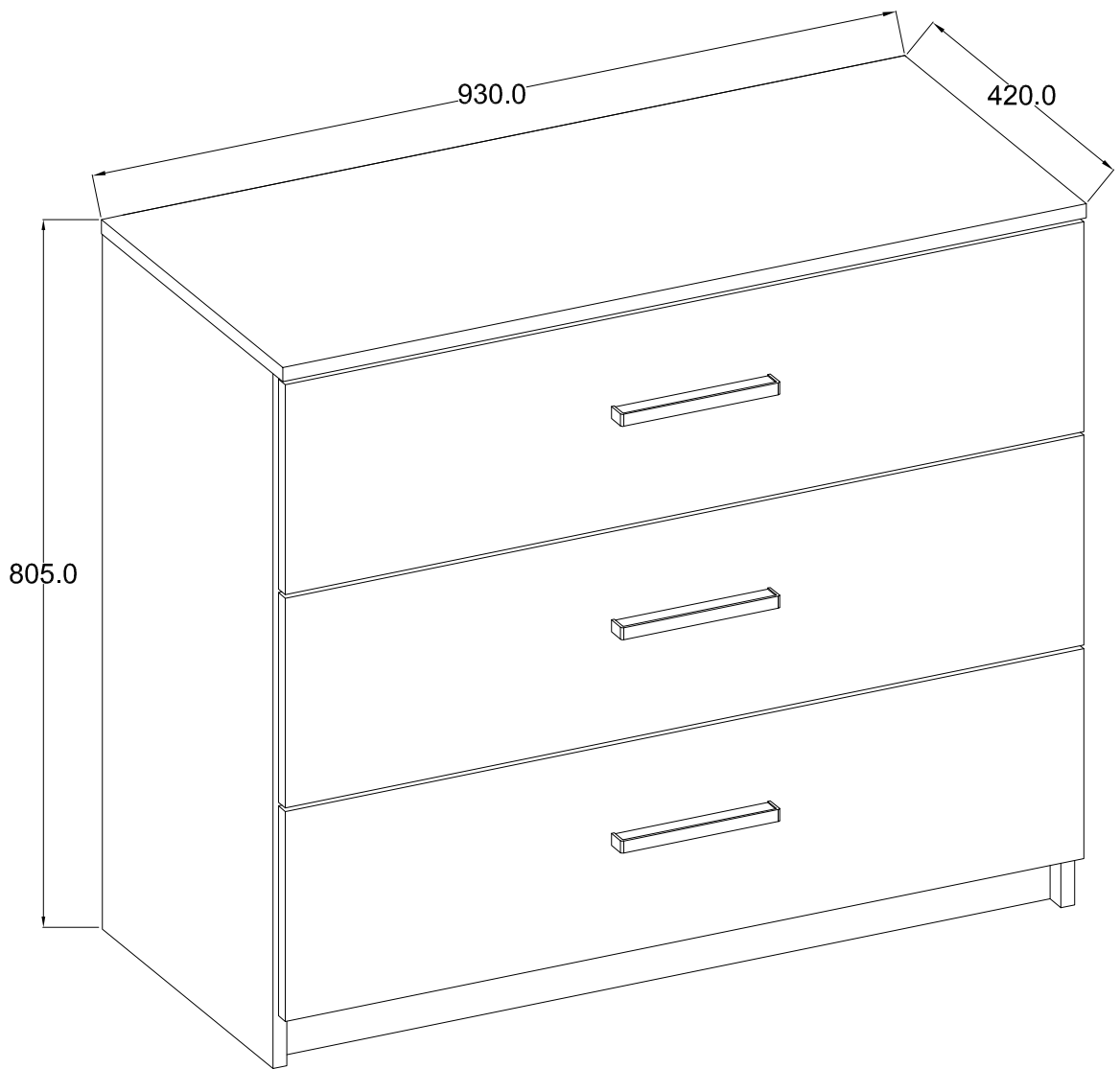
4044  x8		
--	--	--

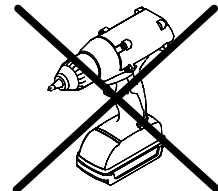
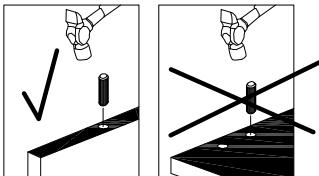
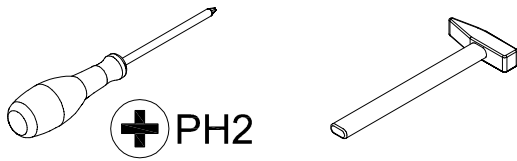
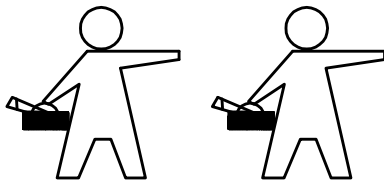


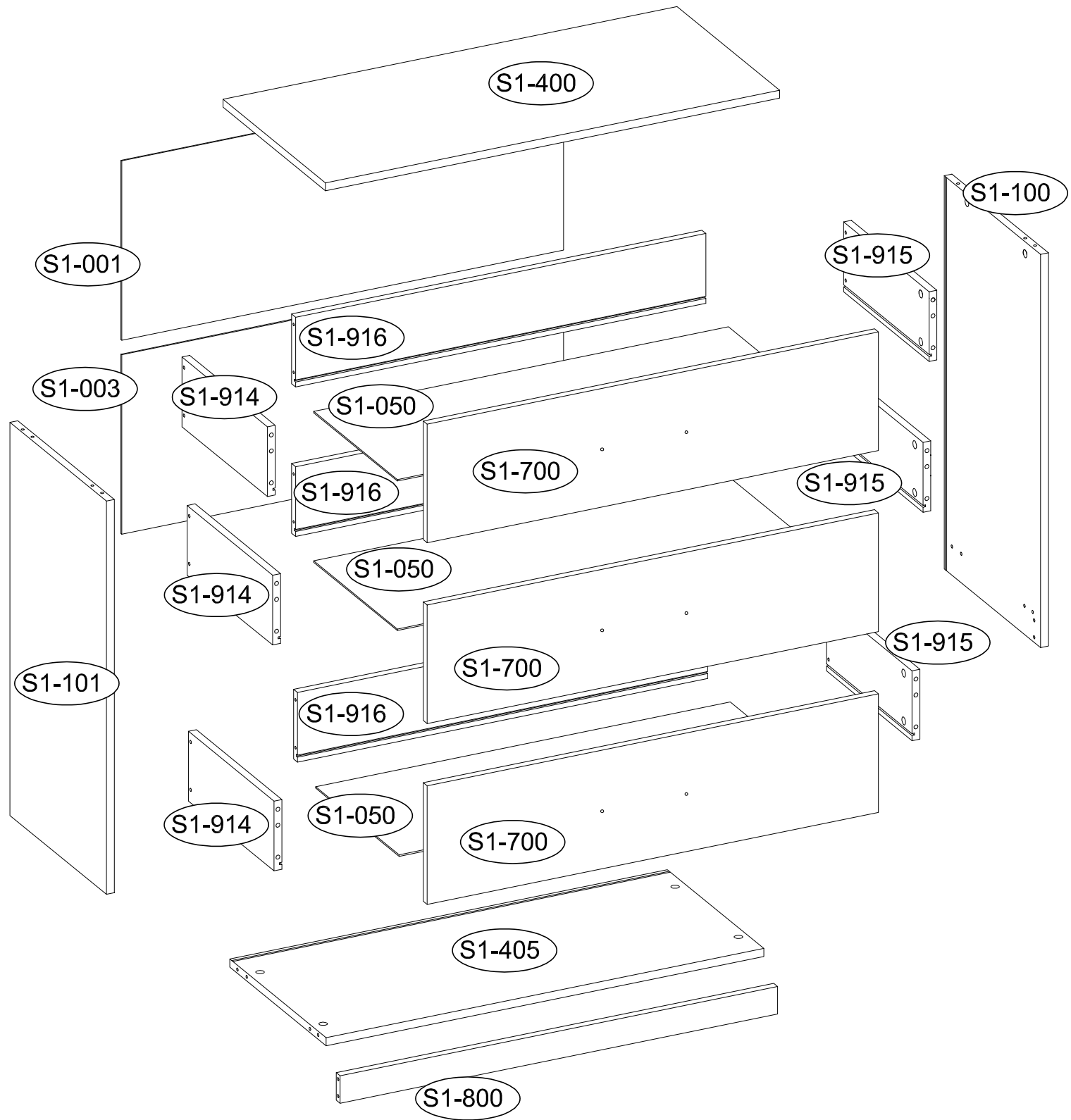
9

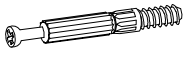
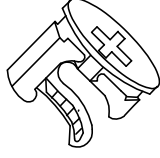

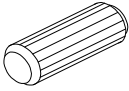
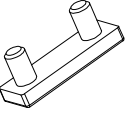
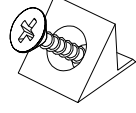

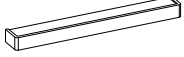
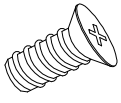
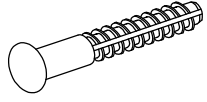
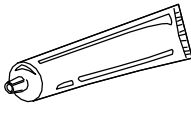
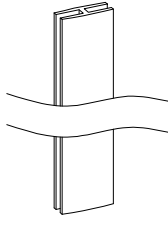
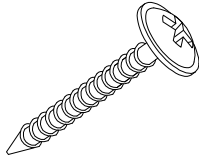
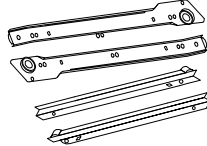
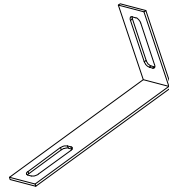
IN01608  x2	3894  x4	IN01157  x8	3804  x2	3918  x8		
3983  x1	3989  x8					





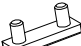

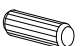



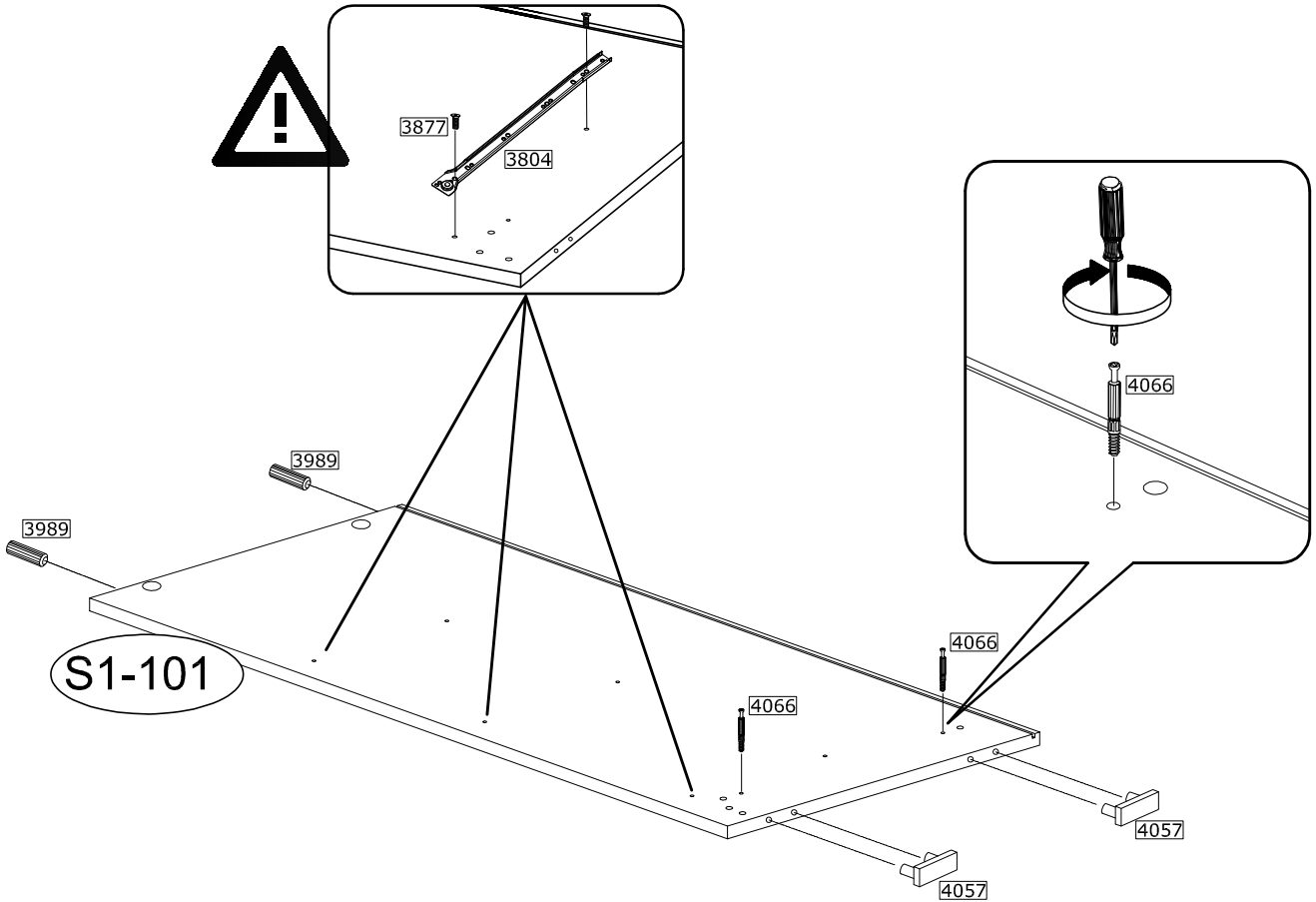










<p>4066</p>  <p>Ø6,5x36,5 mm x8</p>	<p>3996</p>  <p>Ø15x12 mm x8</p>	<p>4086</p>  <p>Ø15 mm x8</p>	<p>3989</p>  <p>Ø8x30 mm x30</p>
<p>4057</p>  <p>48x16x19.5 mm x4</p>	<p>4044</p>  <p>15x14x11 mm x-8</p>	<p>3918</p>  <p>Ø3,5x16 mm x14</p>	<p>IN01608</p>  <p>Ø3,5x16 mm x3</p>
<p>3877</p>  <p>Ø6,0x13 mm x12</p>	<p>IN01157</p>  <p>Ø12x42 mm x12</p>	<p>3983</p>  <p>10 g x2</p>	<p>IN00378</p>  <p>x1</p>
<p>3894</p>  <p>Ø4,0x30 mm x6</p>	<p>3804</p>  <p>L-350 mm x3</p>	<p>71900</p>  <p>75x15x32 mm x1</p>	

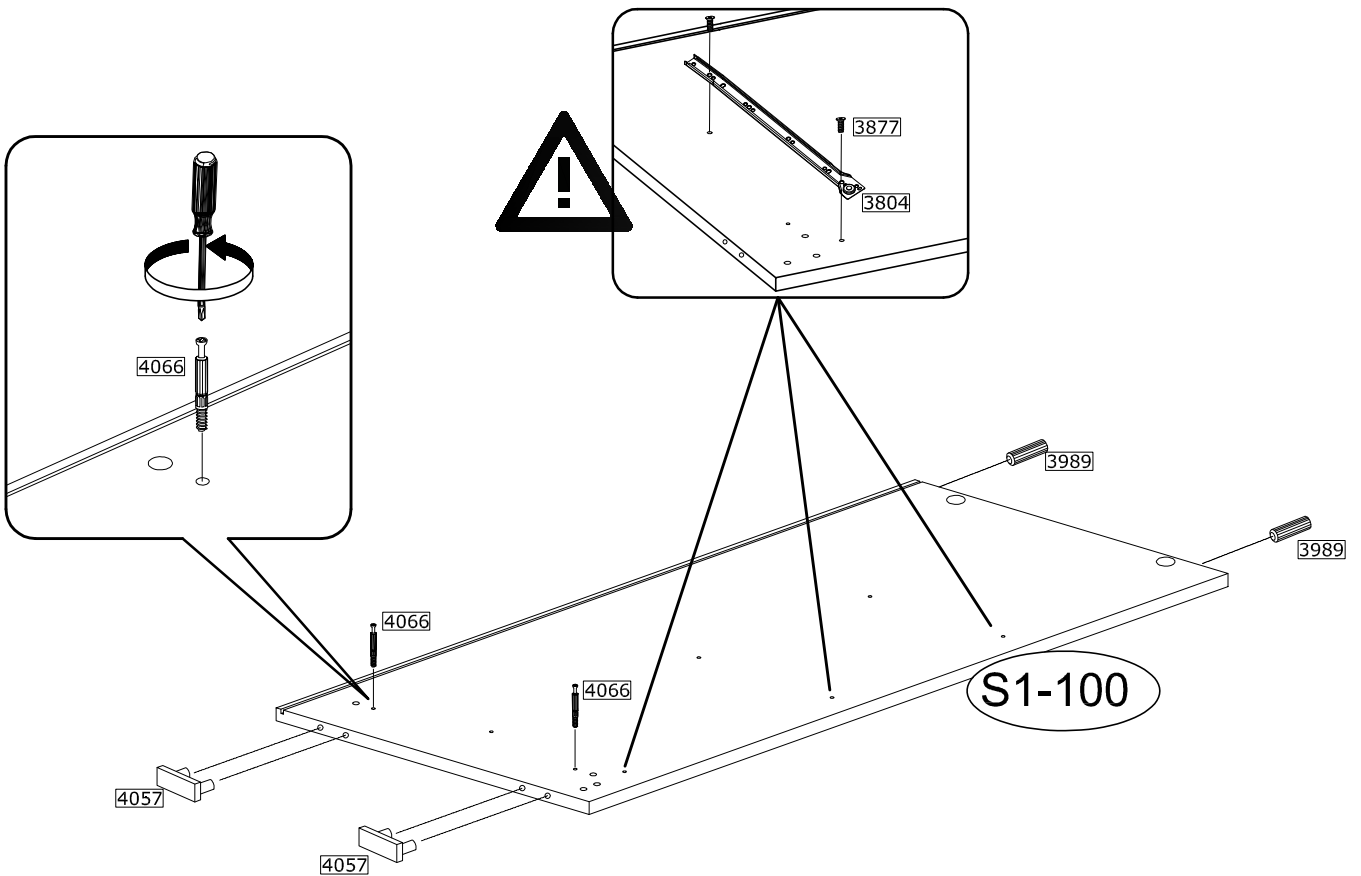
1

4066  x2	3877  x6	4057  x2	3804  x3	3989  x2		
--	--	--	--	--	--	--



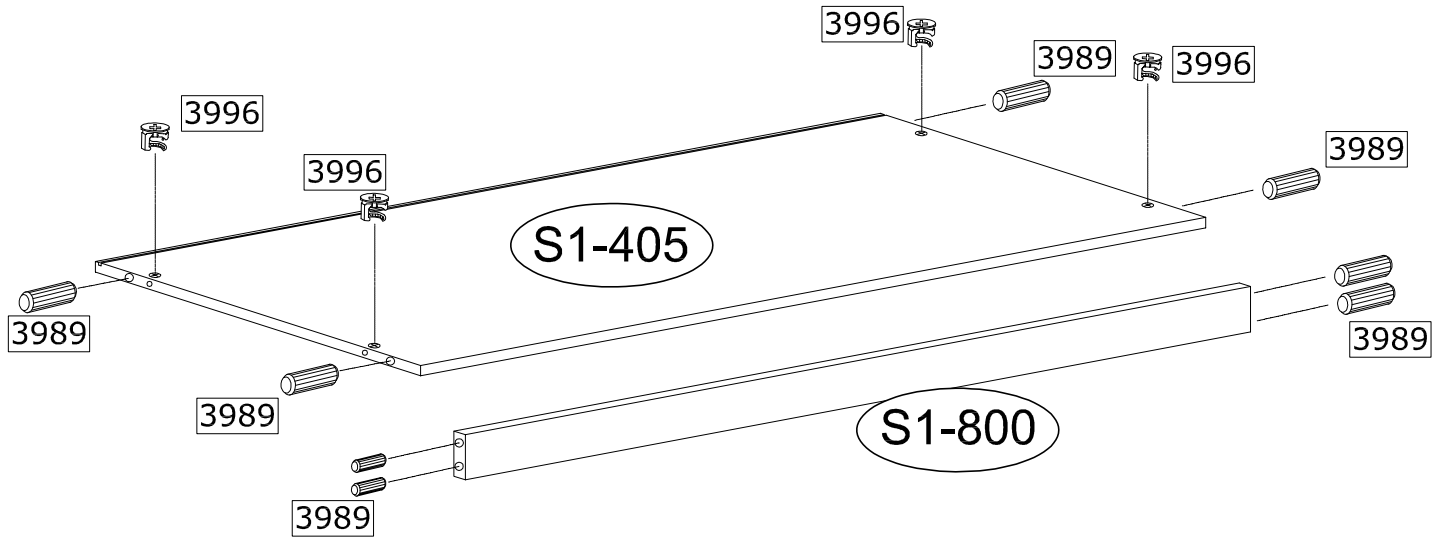
2

4066  x2	3877  x6	4057  x2	3804  x3	3989  x2		
---	---	---	---	---	--	---



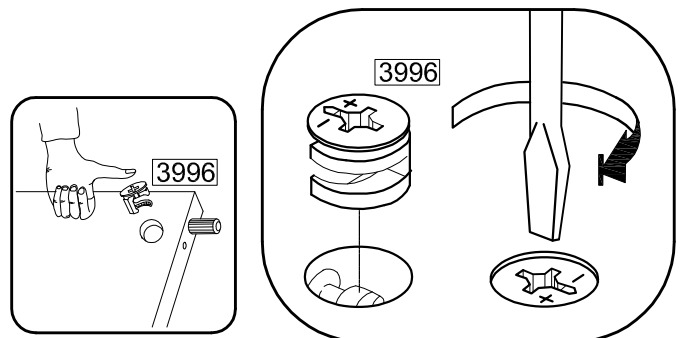
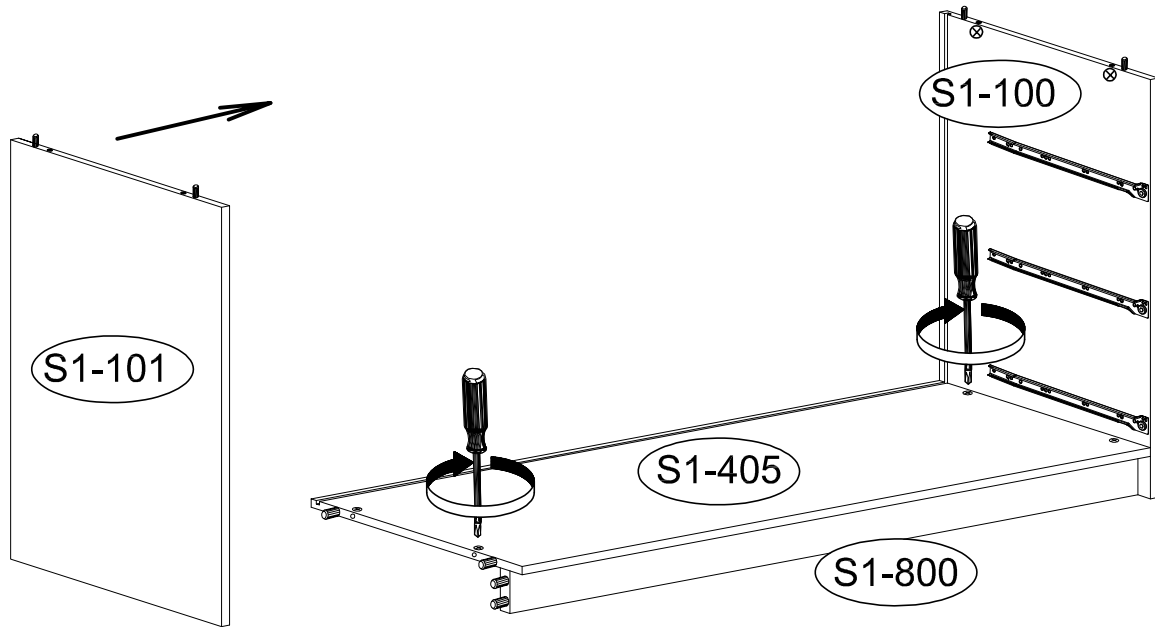
3

 <p>3989 x8</p>	 <p>3996 x4</p>		
---	---	--	--

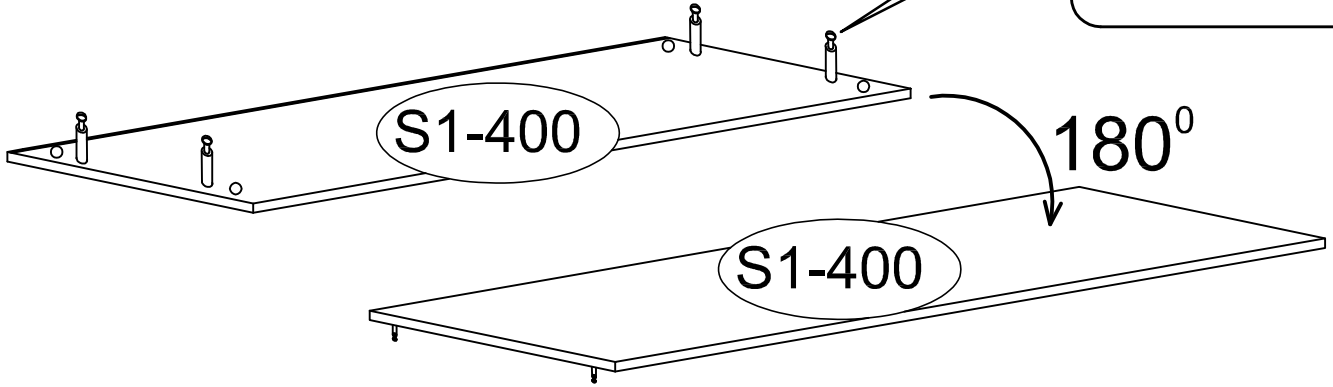
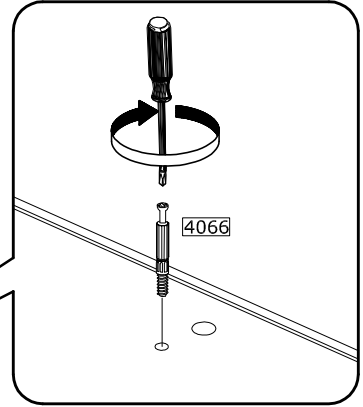
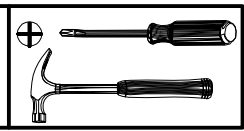
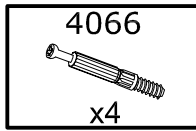


4

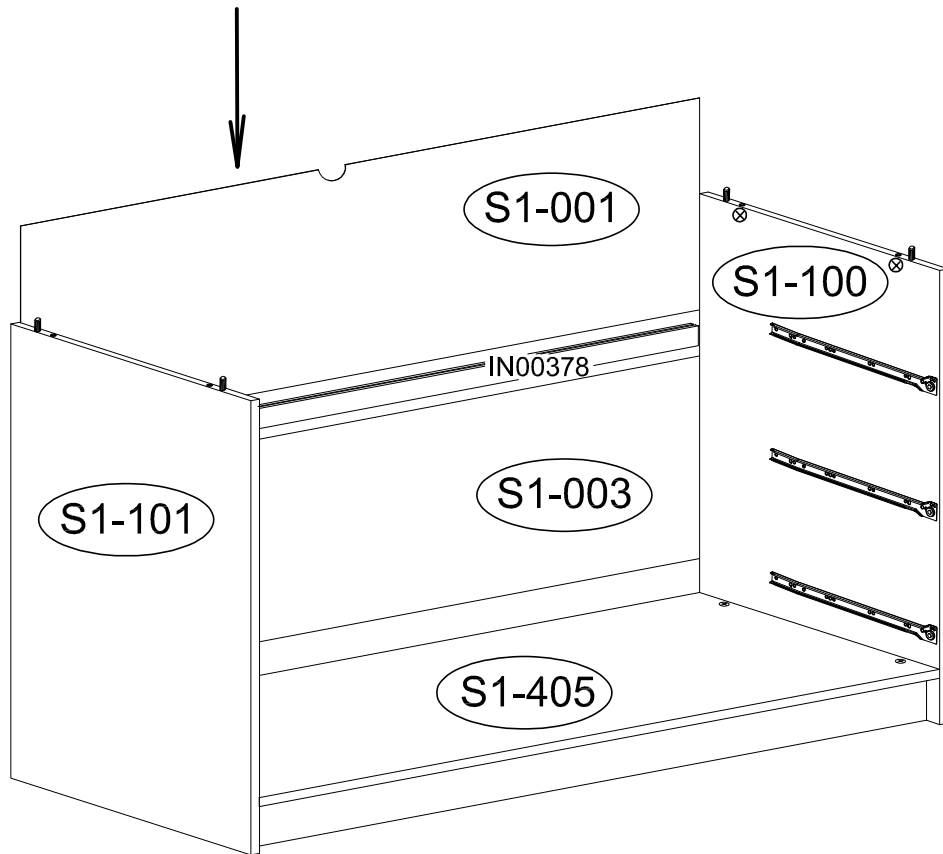
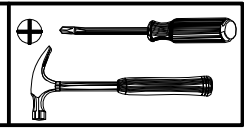
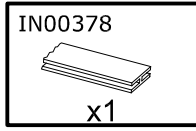
	
--	--



5

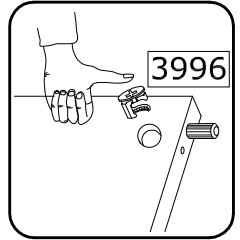
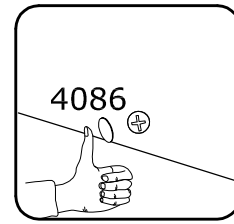
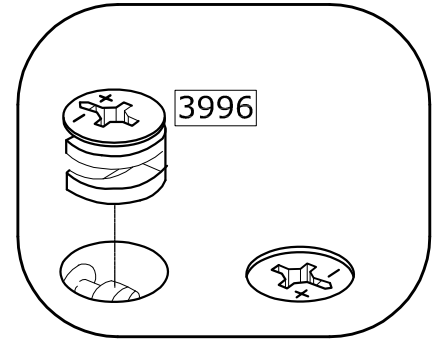
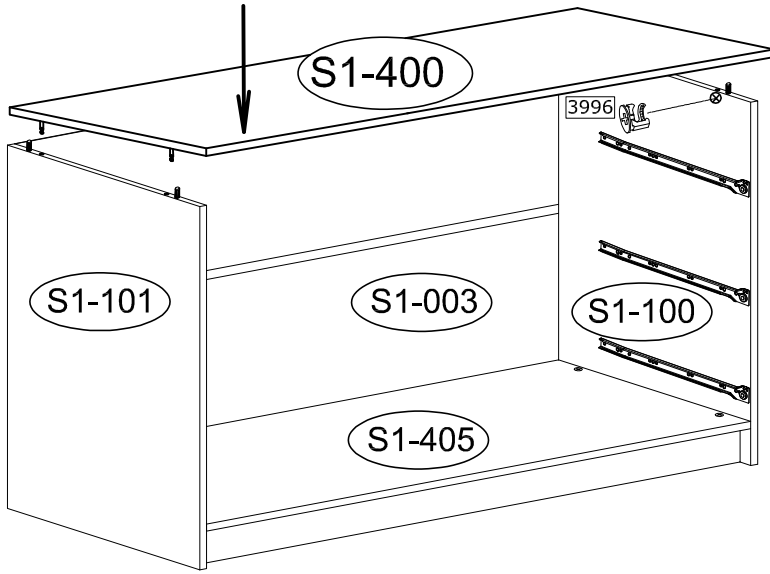


6




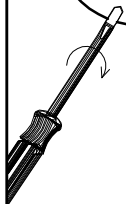
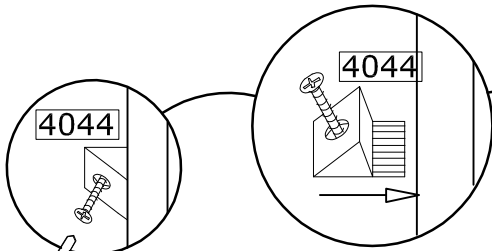
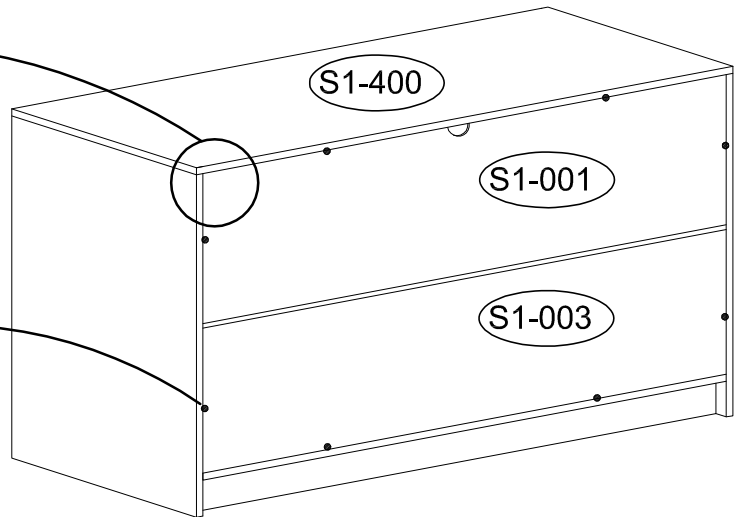
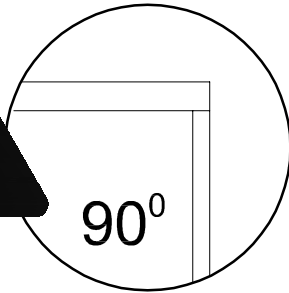
7

3996  x4	4086  x20		
--	---	--	--



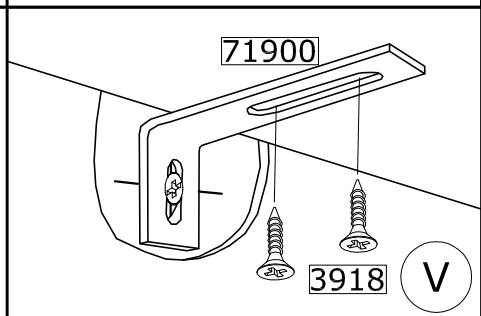
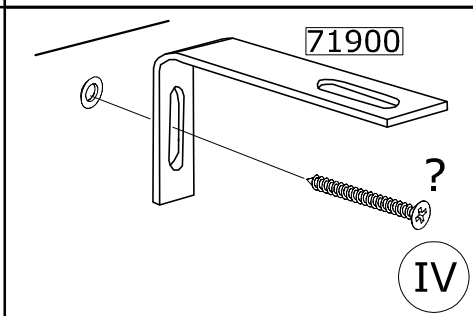
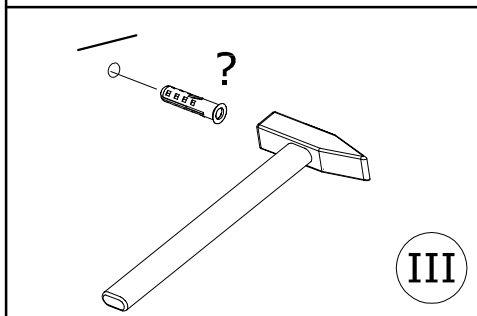
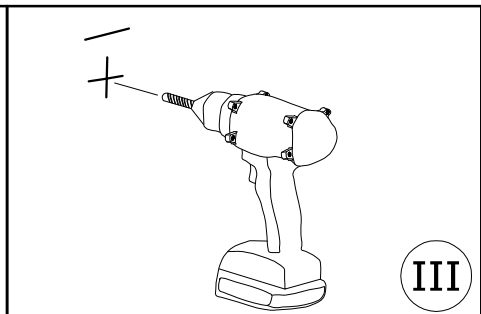
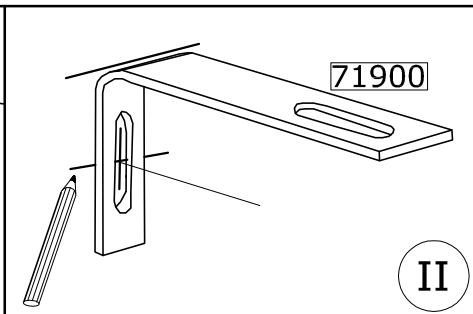
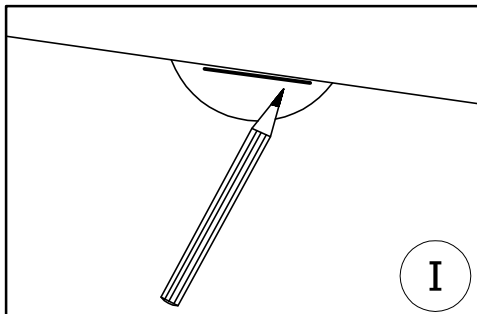
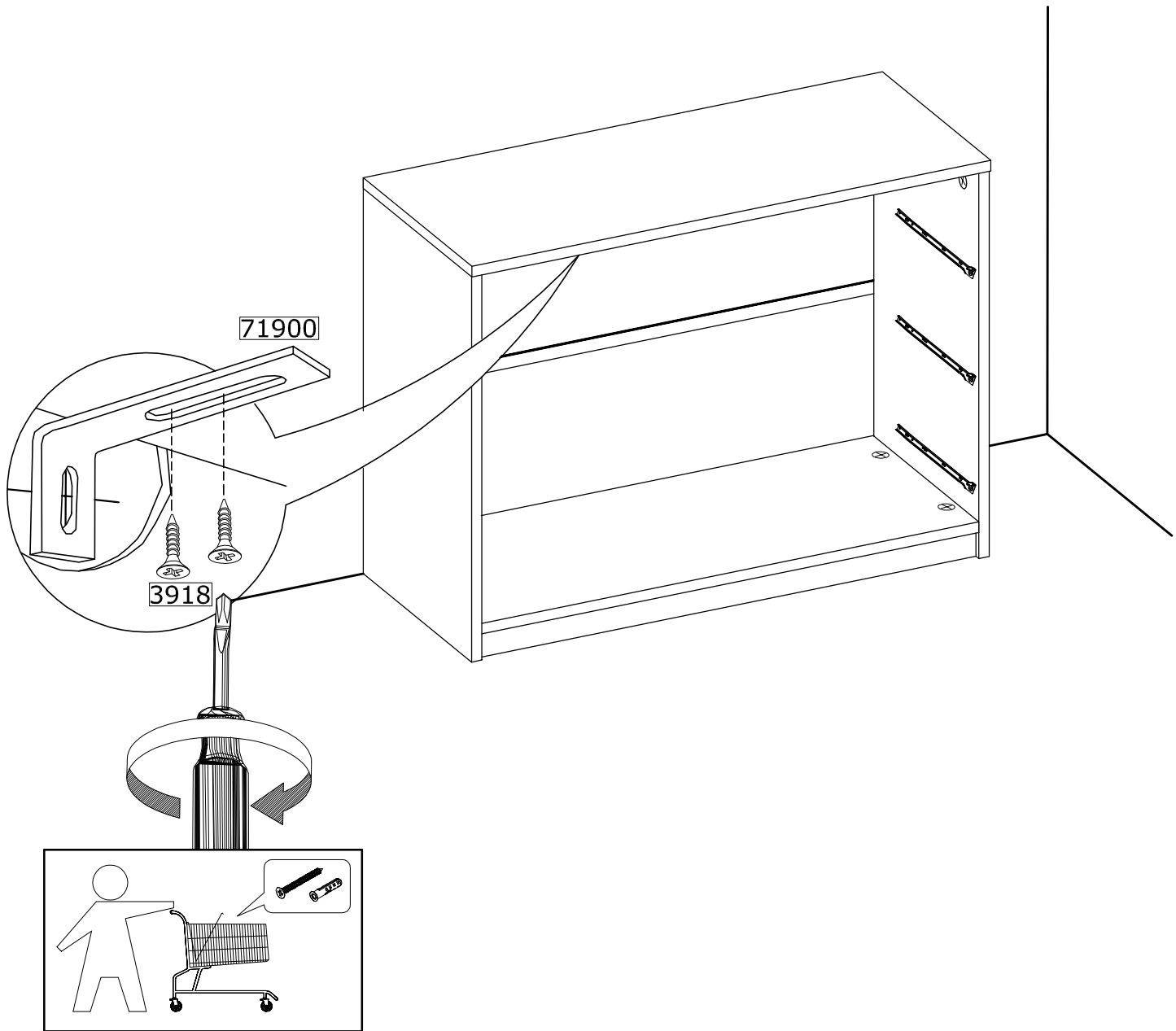
8

4044  x8		
---	--	---



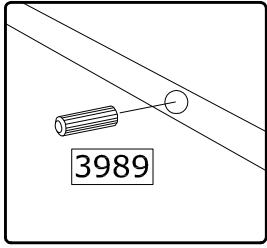
9

<p>3918  x2</p>	<p>71900  x1</p>		<p></p>
---	--	--	---

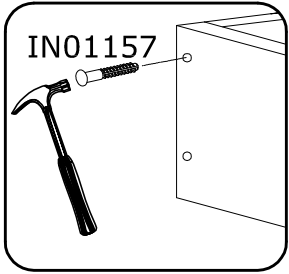
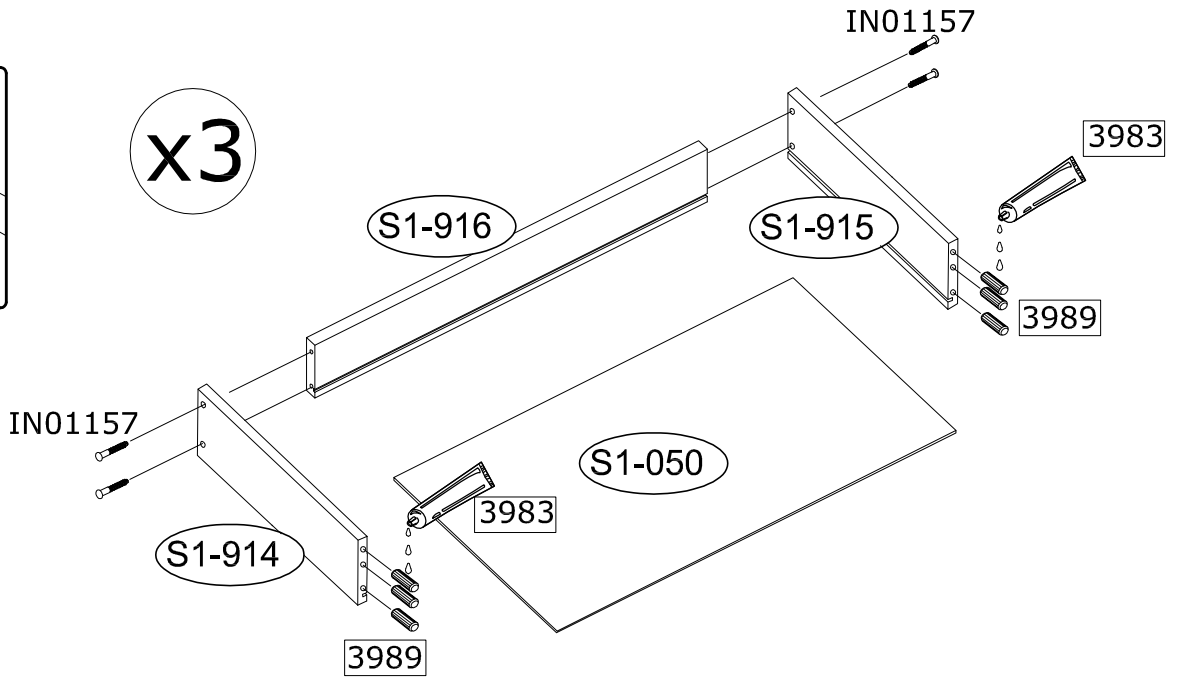


10

IN01157 x12	3983 x1	3989 x18		
----------------	------------	-------------	--	--



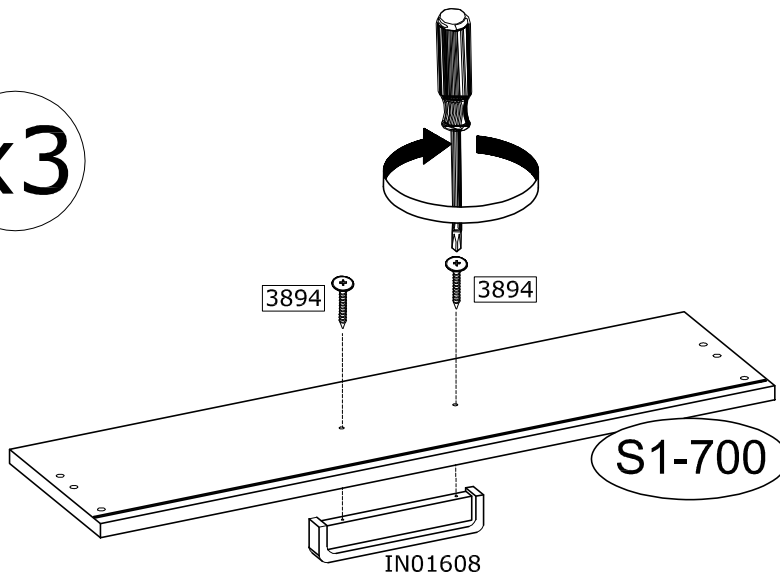
x3



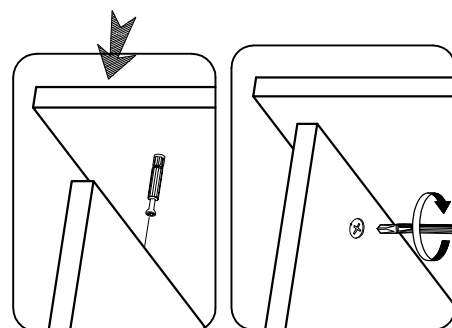
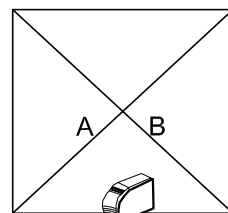
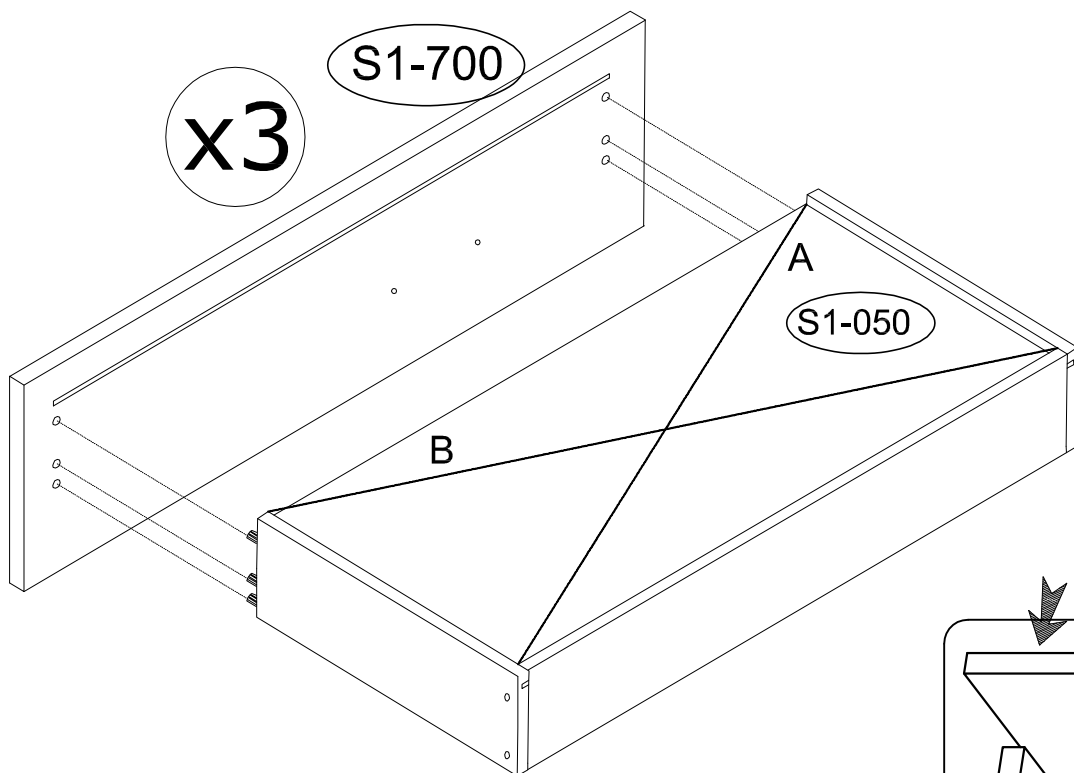
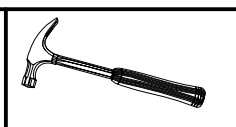
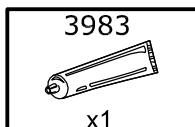
11

IN01608 x3	3894 x6		
---------------	------------	--	---

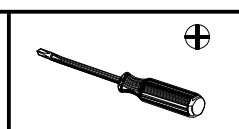
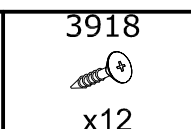
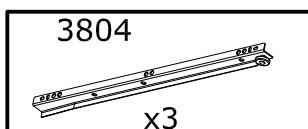
x3



12



13



x3

