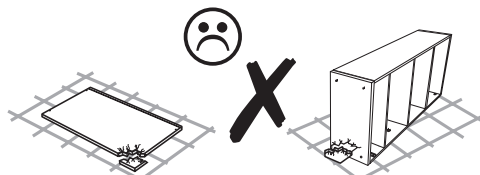
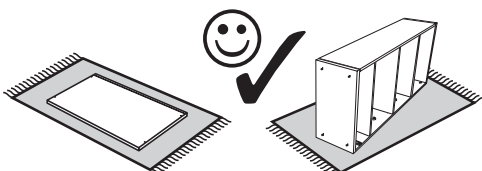
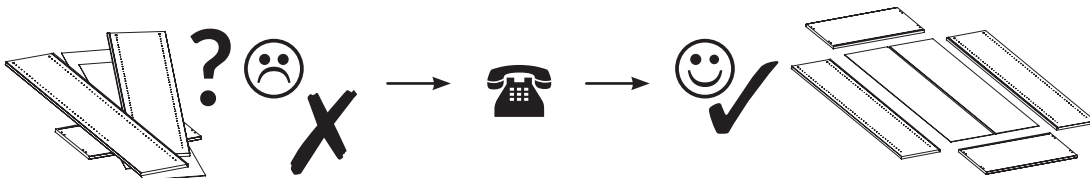
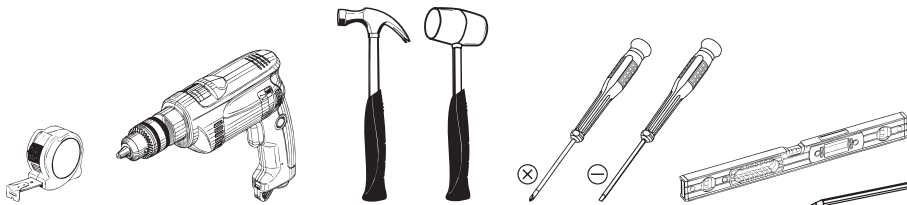
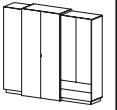
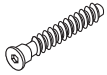


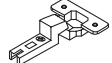
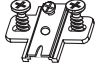
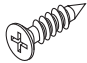


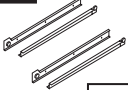
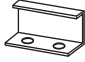
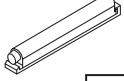
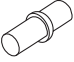

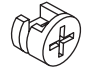


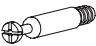


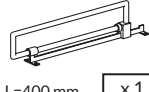
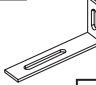
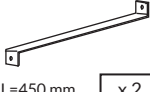



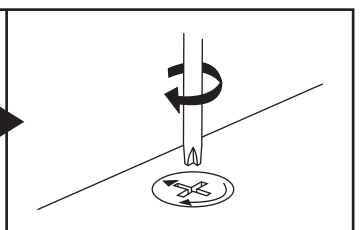
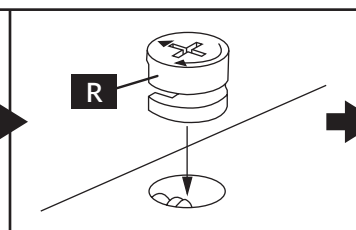
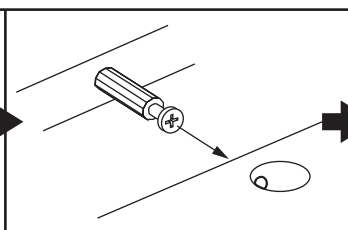
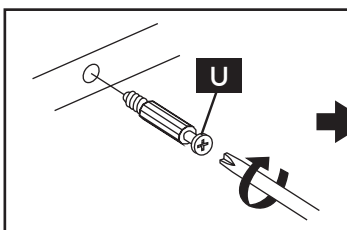
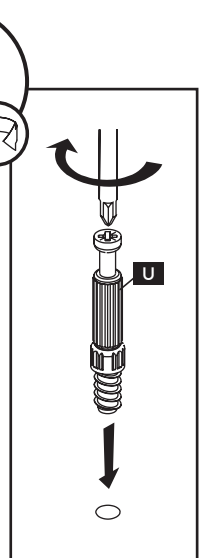
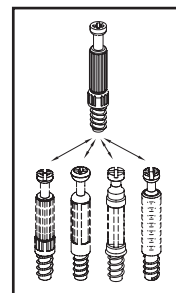
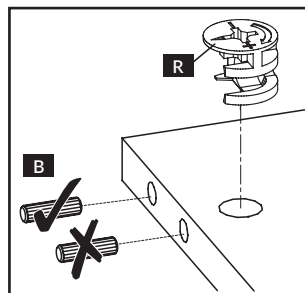
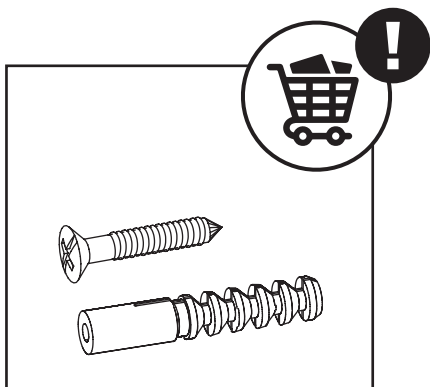
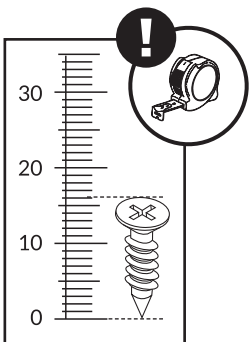
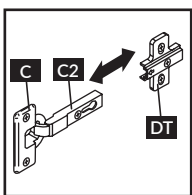


2022-01-25



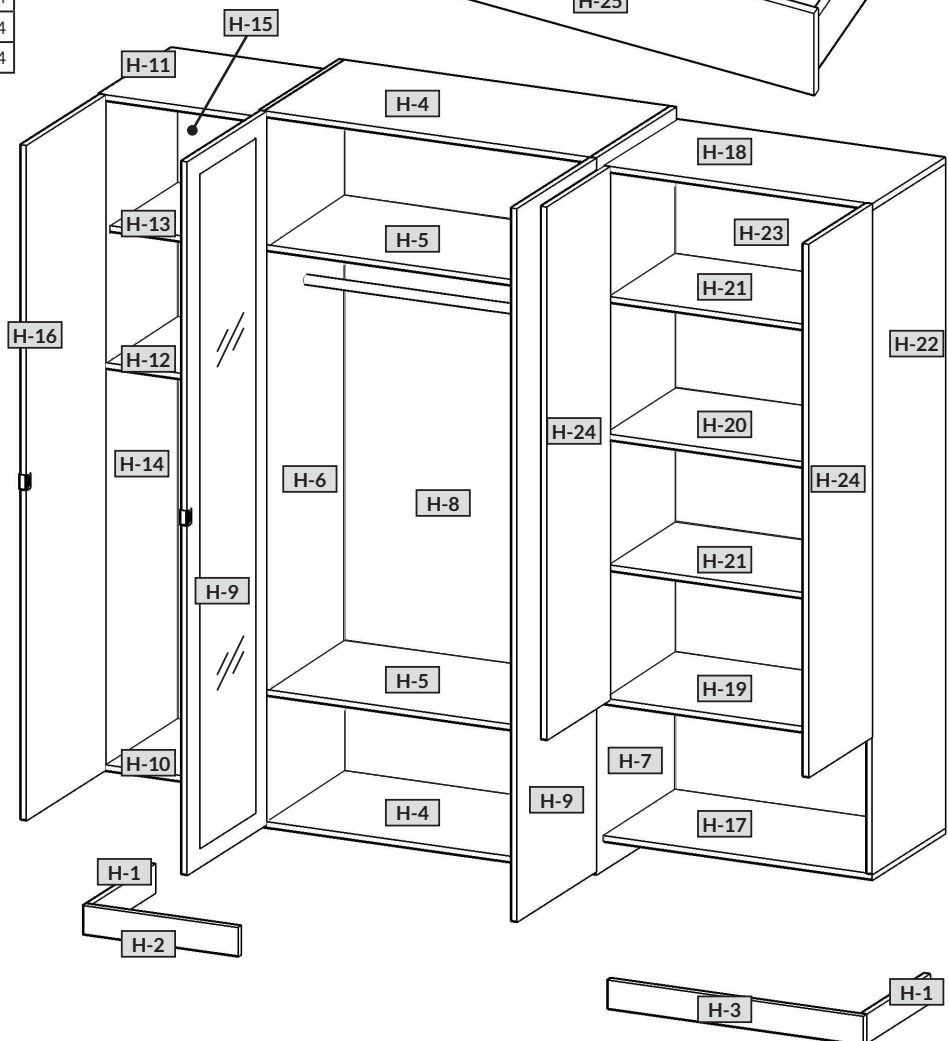
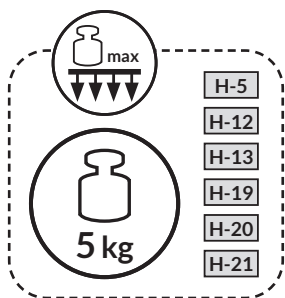
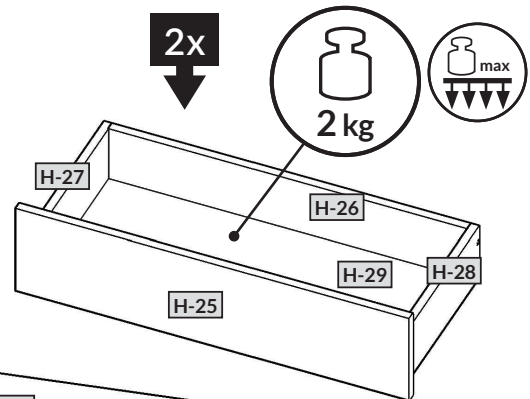


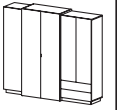
<b>A</b>  7 x 50 mm x 46	<b>B</b>  8 x 32 mm x 54	<b>C</b>  (P) x 11	<b>C2</b>  (Z) x 2	<b>DT</b>  x 13	<b>E</b>  3,5 x 13 mm x 43	<b>E2</b>  3 x 20 mm x 121	<b>G2</b>  x 12
<b>K</b>  L=450 mm x 2	<b>M</b>  x 2	<b>O2</b>  x 4	<b>P</b>  x 12	<b>Q2</b>  Ø 20 x 22	<b>R</b>  H=11 mm x 10	<b>RB</b>  x 8	<b>T3</b>  5 x 9 mm x 16
<b>U</b>  L=24,3 mm x 10	<b>V0</b>  L=960 mm x 1	<b>V7</b>  x 2	<b>V12</b>  L=400 mm x 1	<b>W1</b>  x 1	<b>W14</b>  L=450 mm x 2	<b>XA</b>  x 1	<b>ZA</b>  Ø 4 x 32
<b>ZR</b>  Ø 15 x 10							



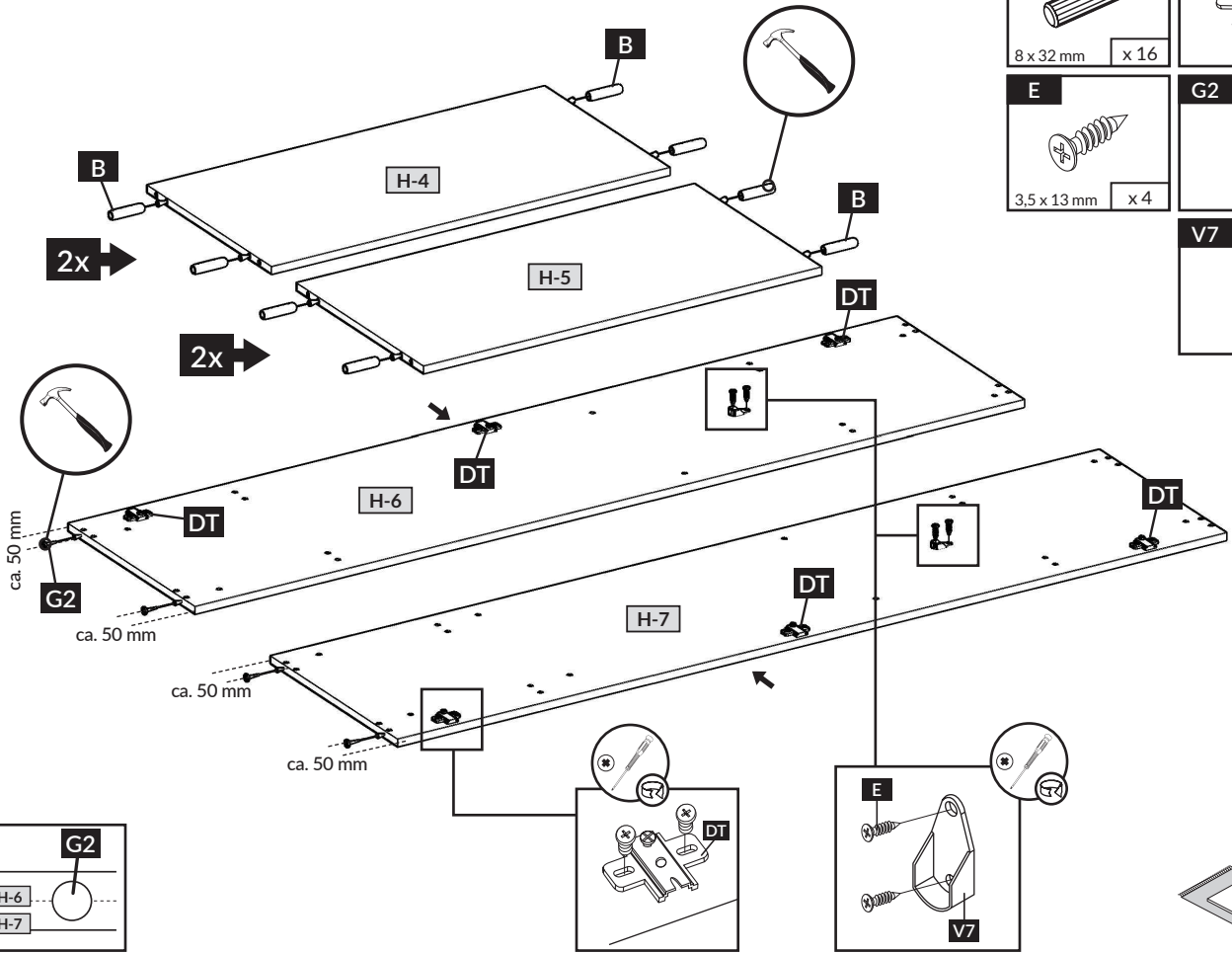


nr	↔ [mm]	↓ [mm]	∅ [mm]	Menge	Colli
H-1	415	80	16	x2	3/4
H-2	460	80	16	x1	4/4
H-3	760	80	16	x1	3/4
H-4	968	500	16	x2	3/4
H-5	968	490	16	x2	3/4
H-6	2018	500	16	x1	3/4
H-7	2018	500	16	x1	3/4
H-8	2015	982	3	x1	4/4
H-9	2008	496	16	x2	4/4
H-10	500	455	16	x1	4/4
H-11	500	455	16	x1	4/4
H-12	484	455	16	x1	4/4
H-13	484	425	16	x1	4/4
H-14	1872	455	16	x1	1/4
H-15	1898	504	3	x1	3/4
H-16	1900	496	16	x1	4/4
H-17	800	455	16	x1	1/4
H-18	800	455	16	x1	1/4
H-19	784	455	16	x1	1/4
H-20	784	455	16	x1	1/4
H-21	784	425	16	x2	2/4
H-22	1872	455	16	X1	1/4
H-23	1898	805	3	x1	3/4
H-24	1500	396	16	x2	2/4
H-25	796	196	16	x2	2/4
H-26	727	120	16	x2	2/4
H-27	450	120	16	x2	1/4
H-28	450	120	16	x2	1/4
H-29	757	456	3	x2	1/4

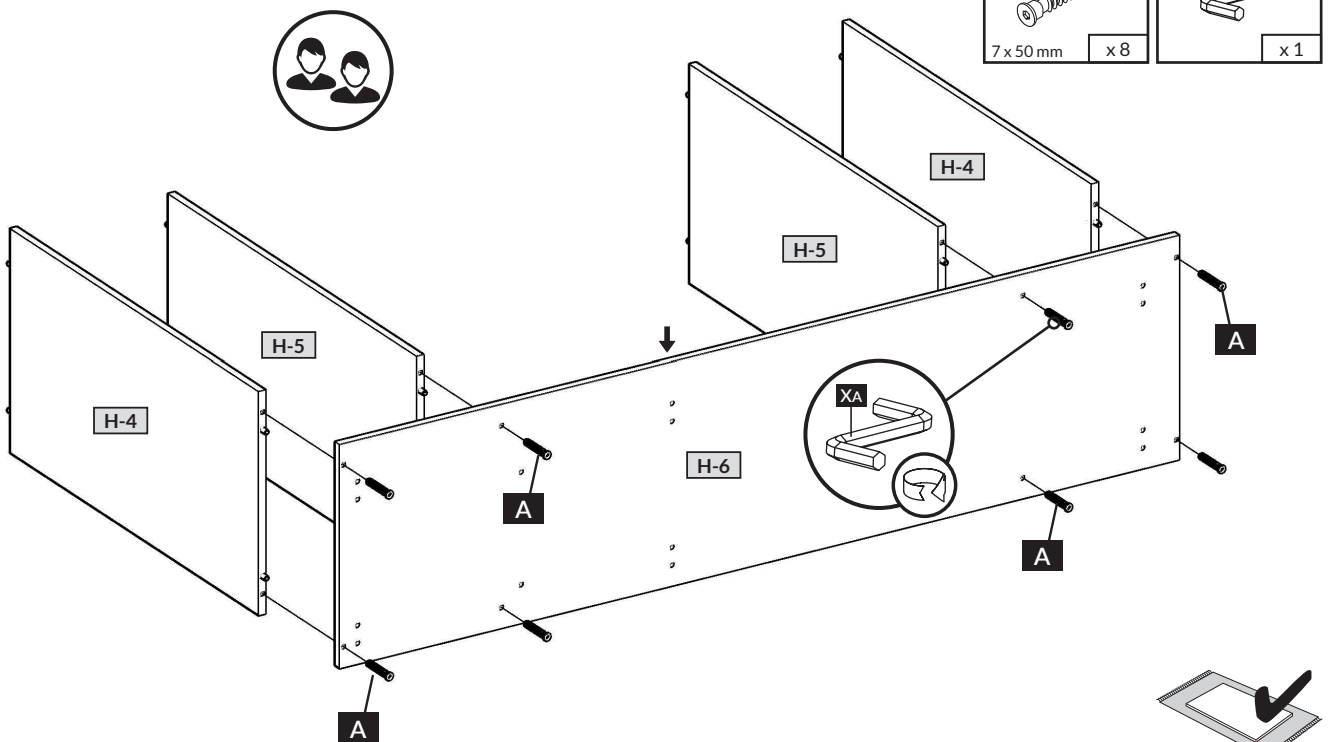




1



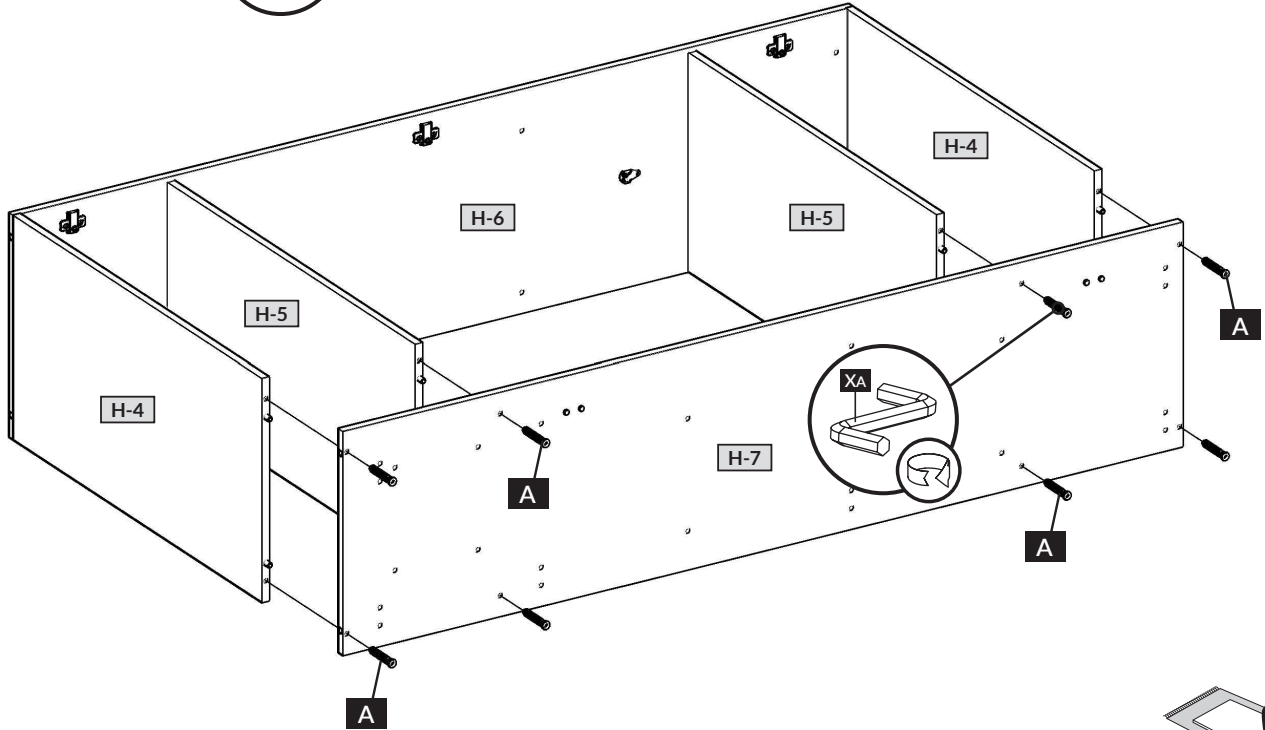
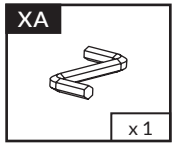
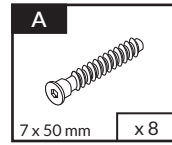
2



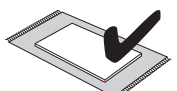
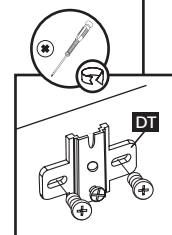
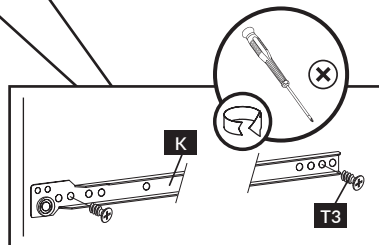
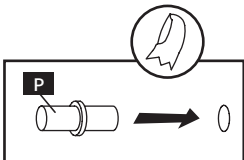
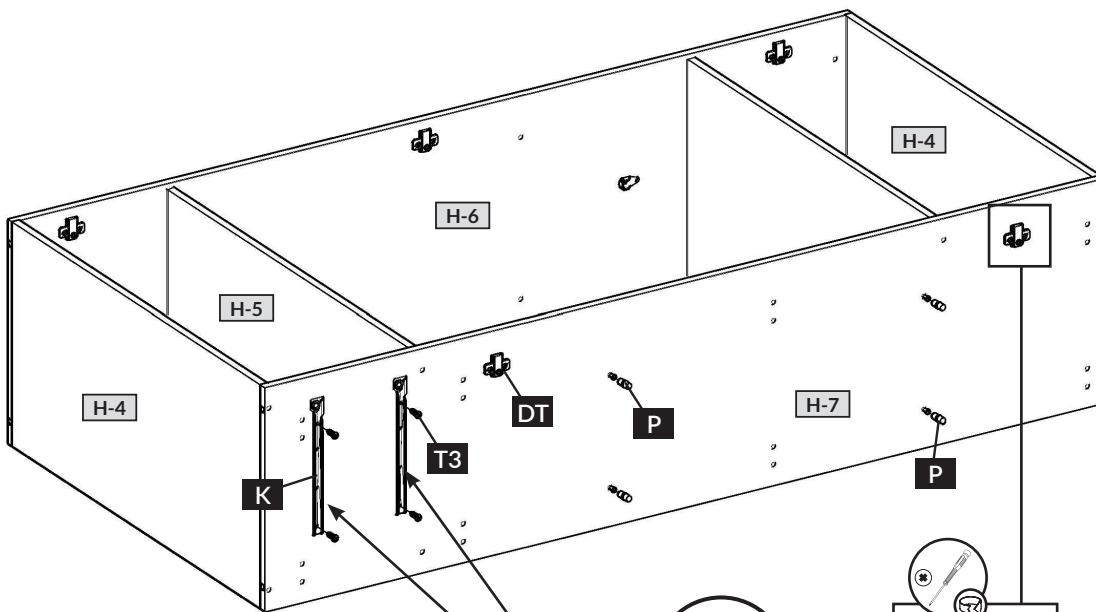
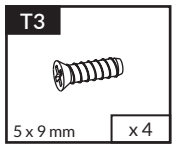
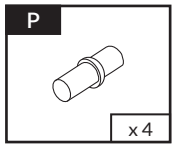
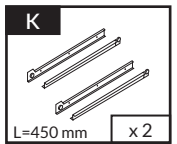
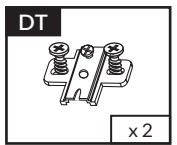




3

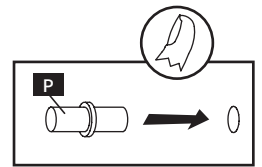
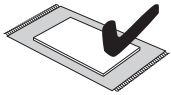
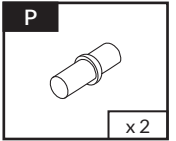
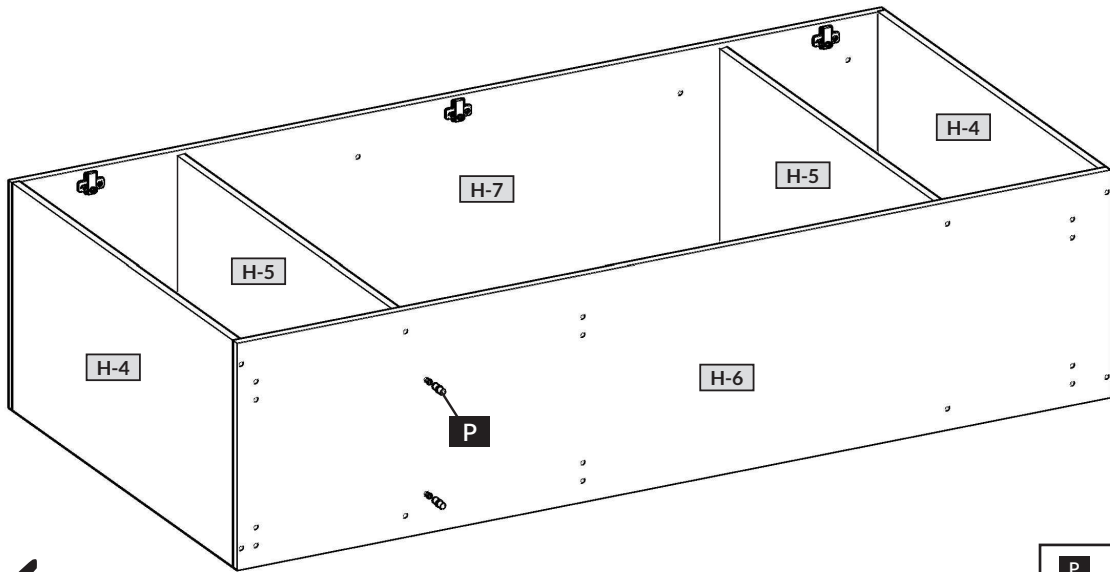


4

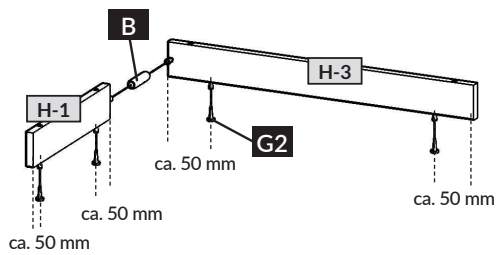
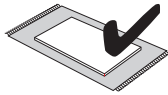
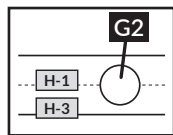
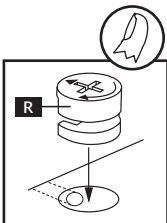
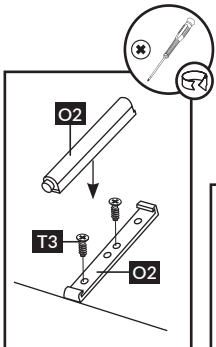
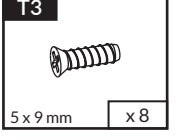
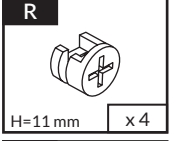
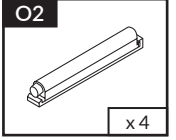
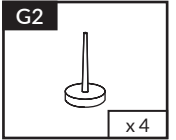
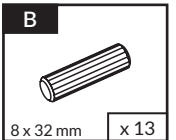
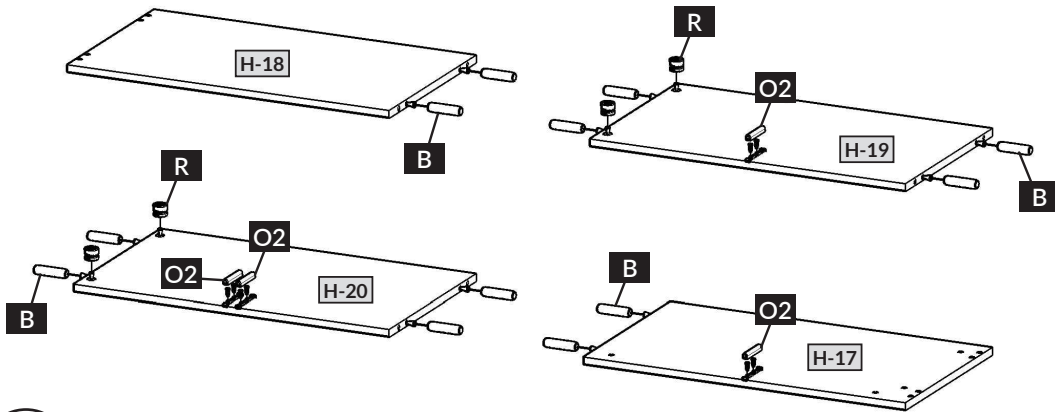




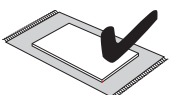
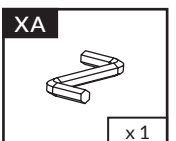
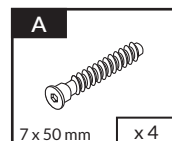
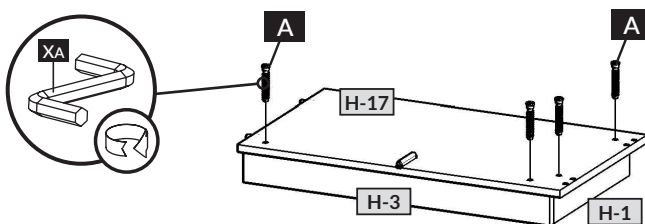
5



6

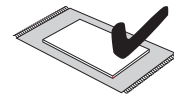
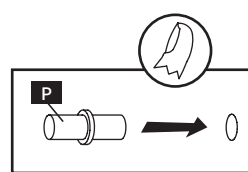
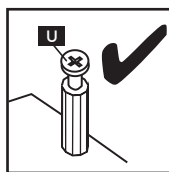
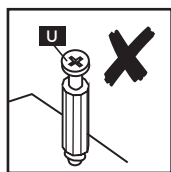
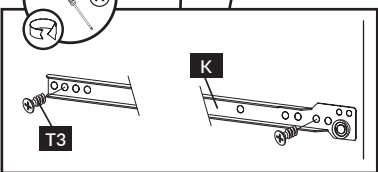
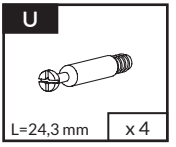
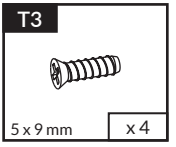
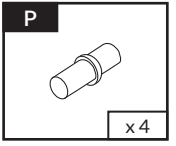
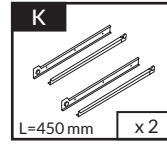
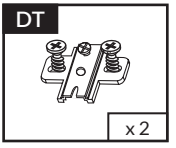
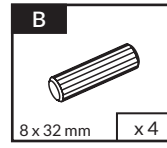
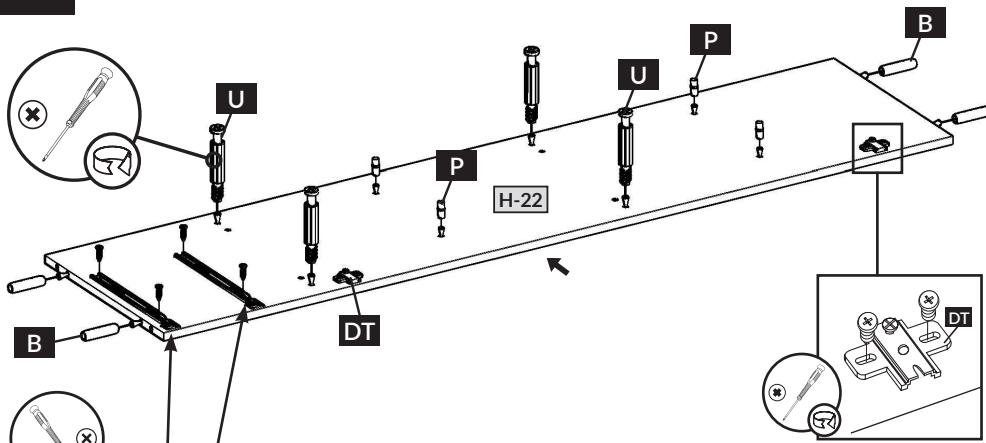


7

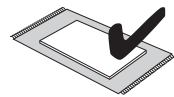
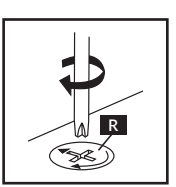
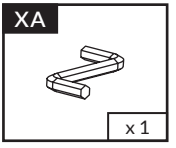
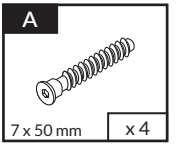
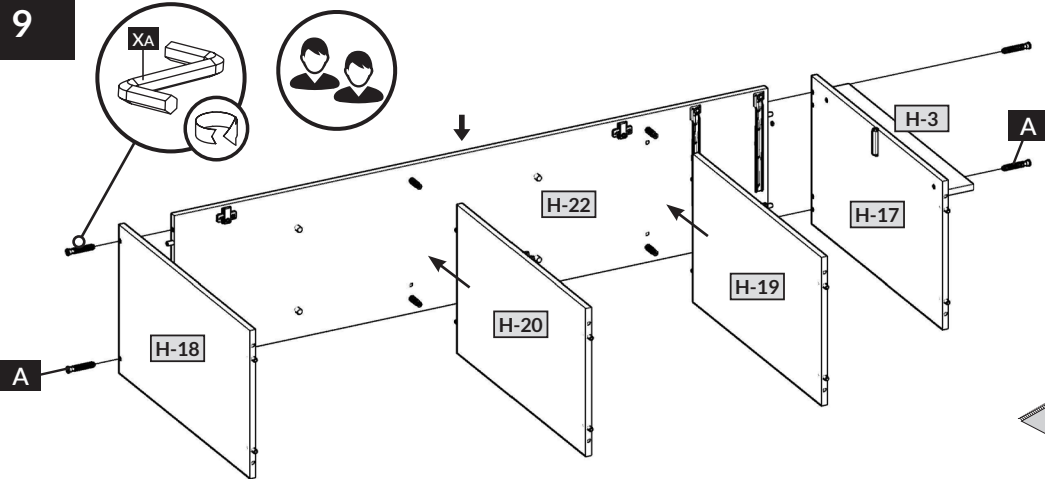




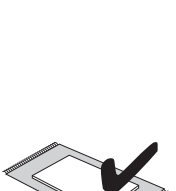
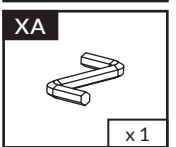
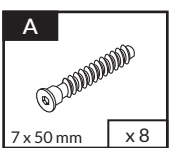
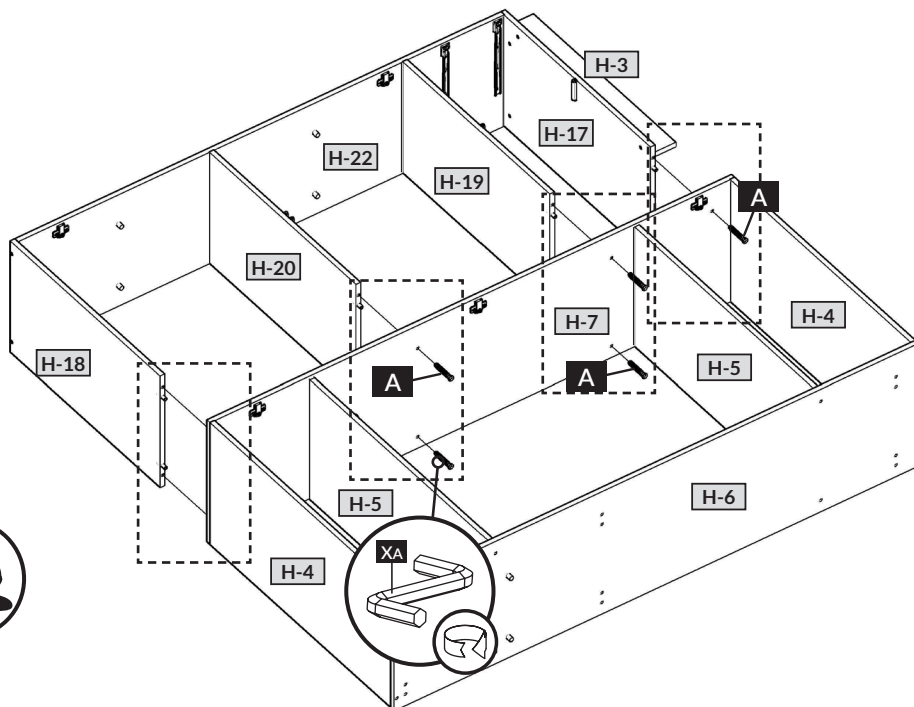
8



9

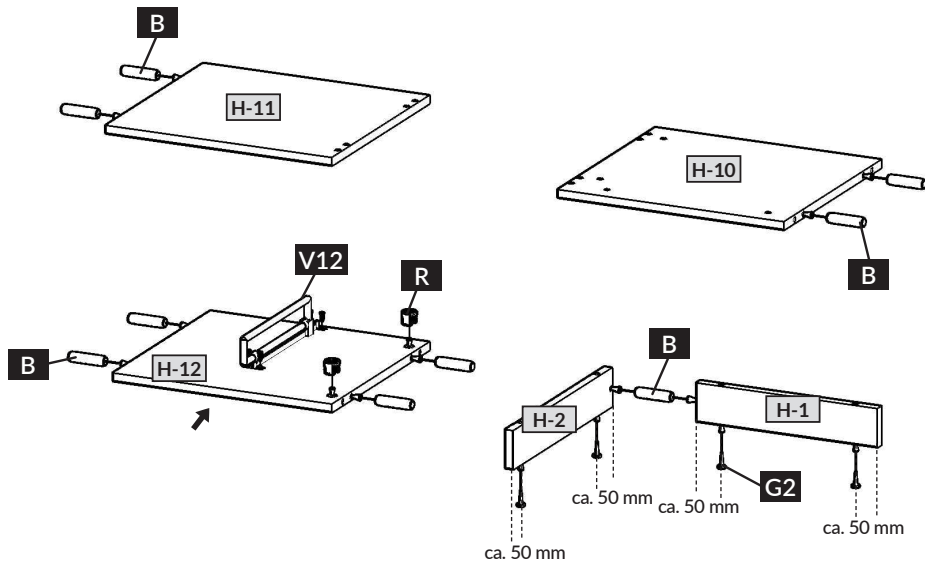


10

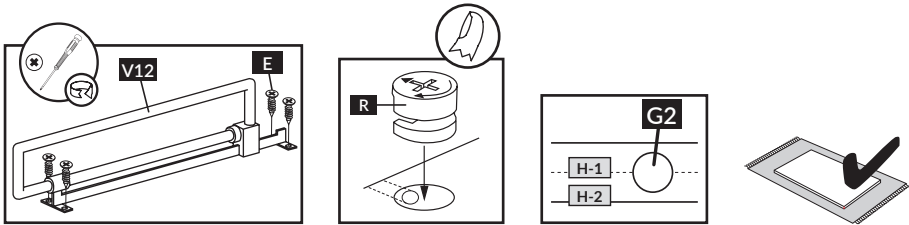




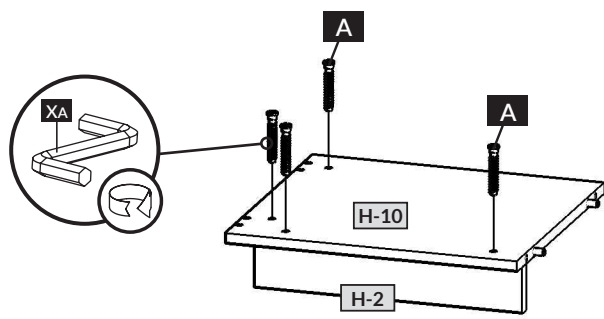
11



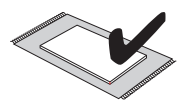
- B**  
8 x 32 mm x 9
- E**  
3,5 x 13 mm x 4
- G2**  
x 4
- R**  
H=11 mm x 2
- V12**  
L=400 mm x 1



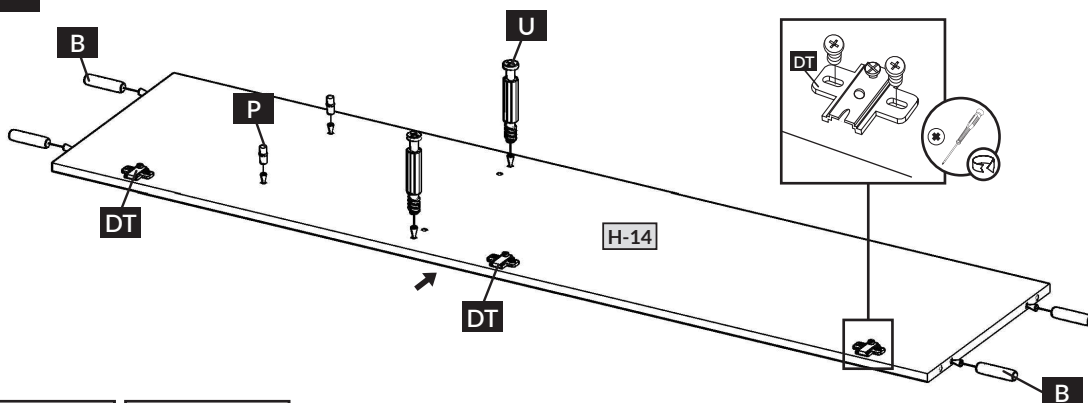
12



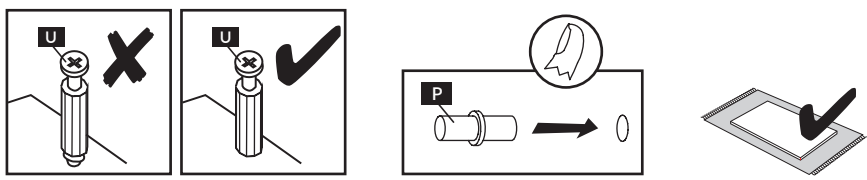
- A**  
7 x 50 mm x 4
- XA**  
x 1



13

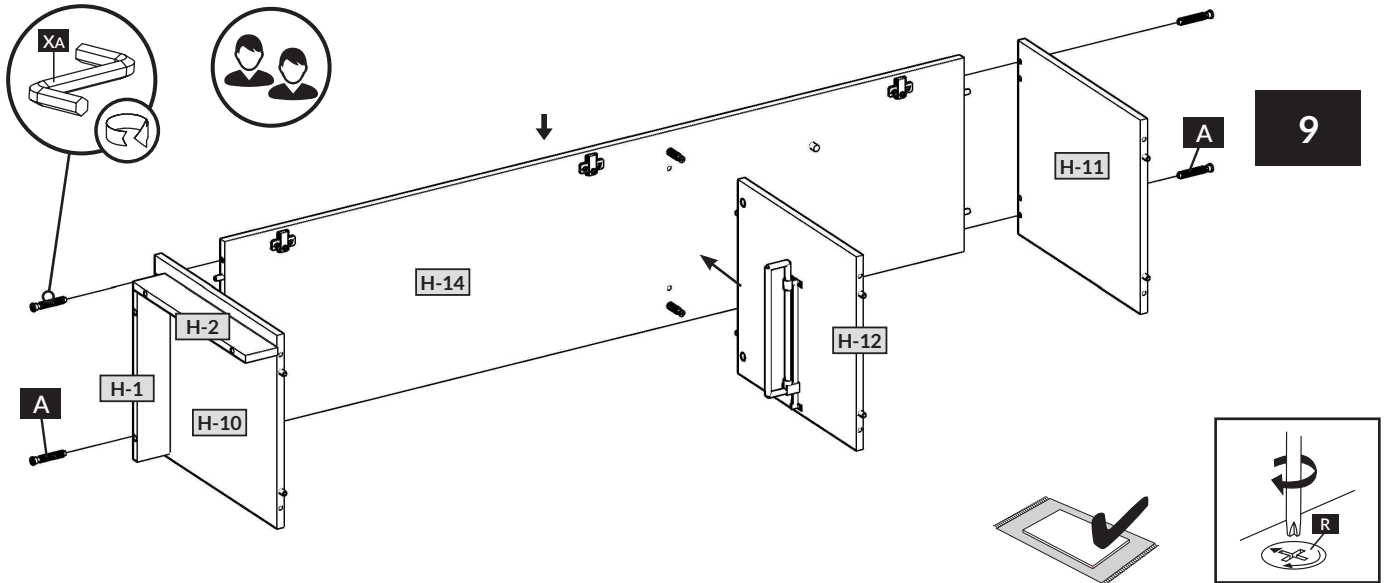
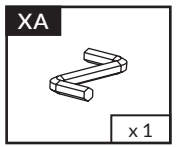
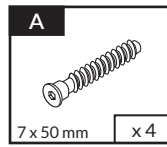


- B**  
8 x 32 mm x 4
- DT**  
x 3
- P**  
x 2
- U**  
L=24,3 mm x 2

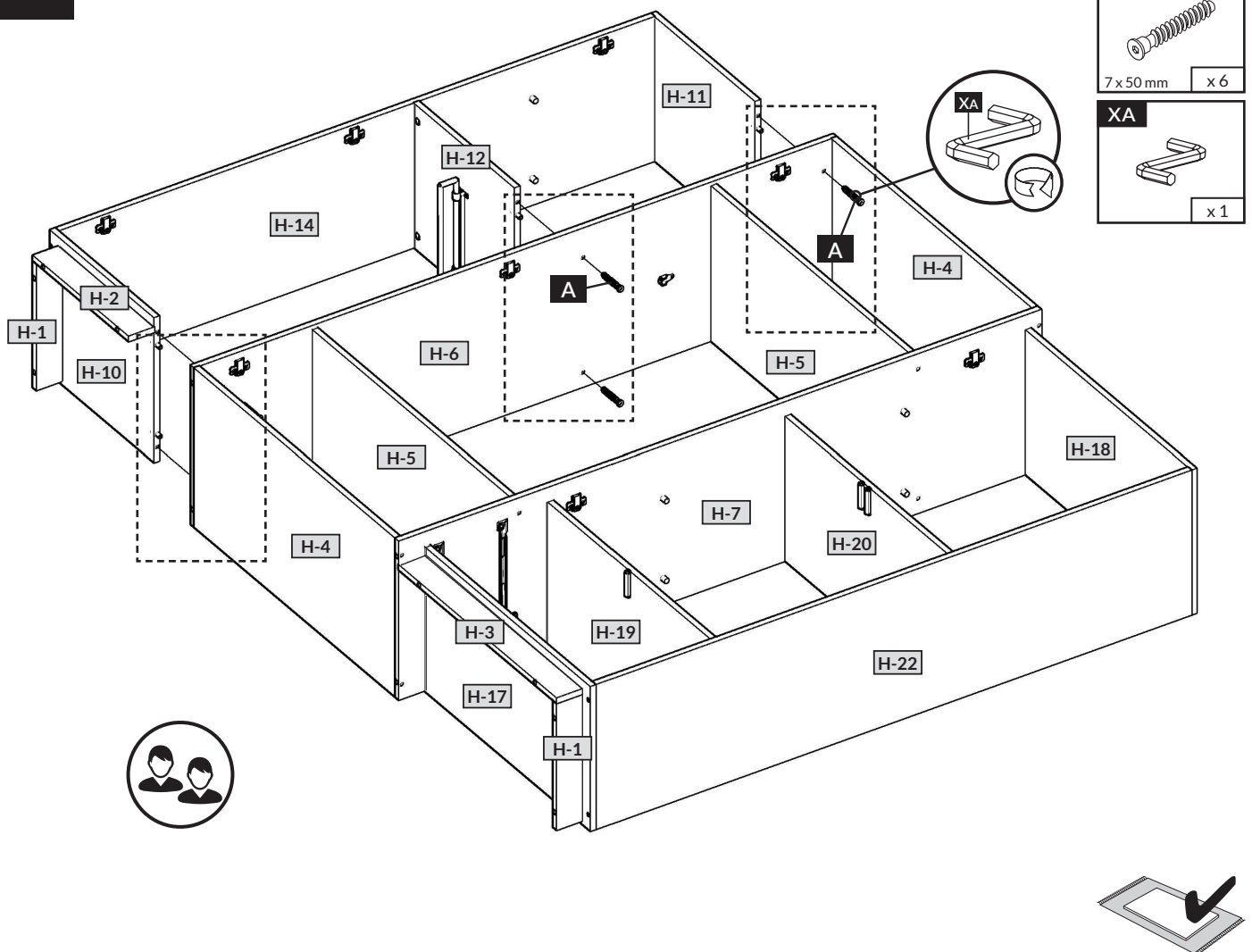
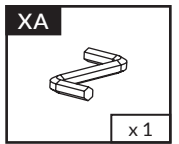
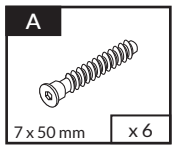




14

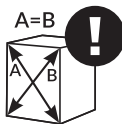
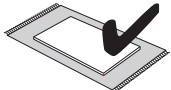
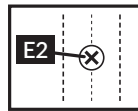
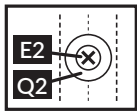
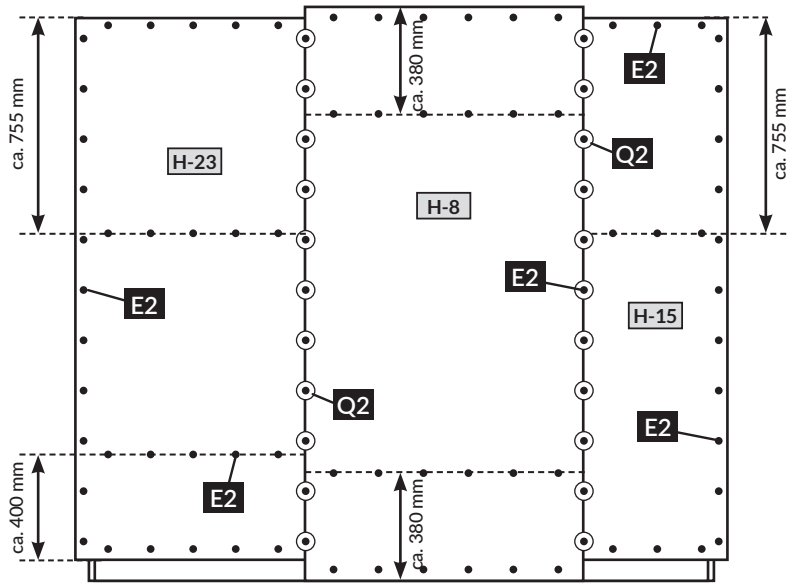
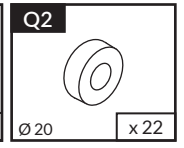
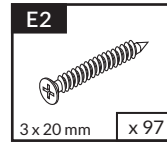
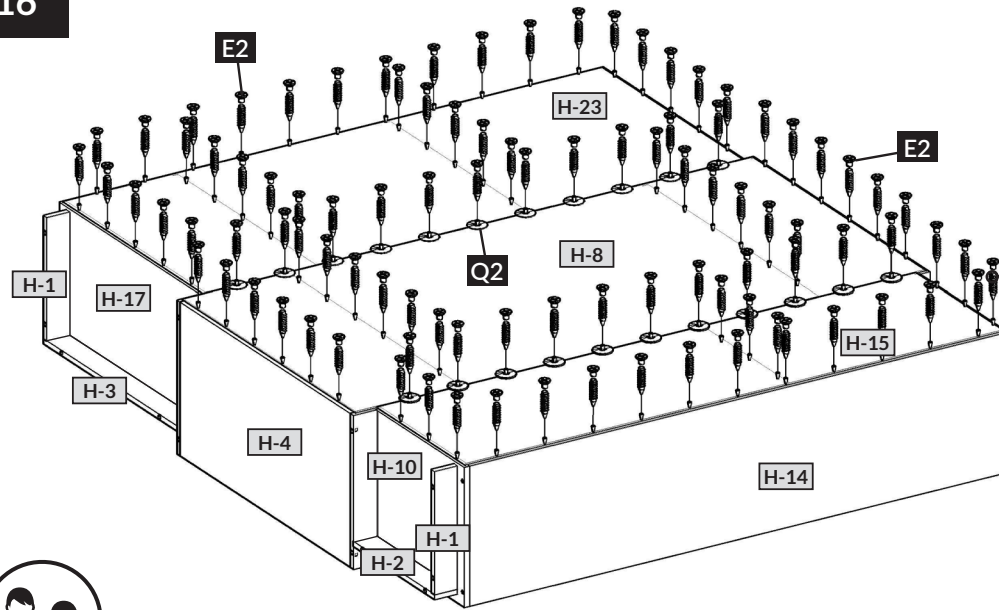


15

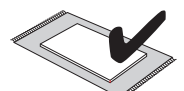
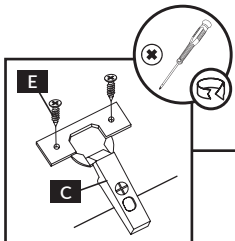
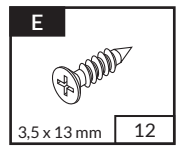
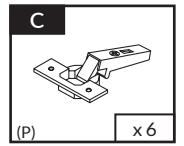
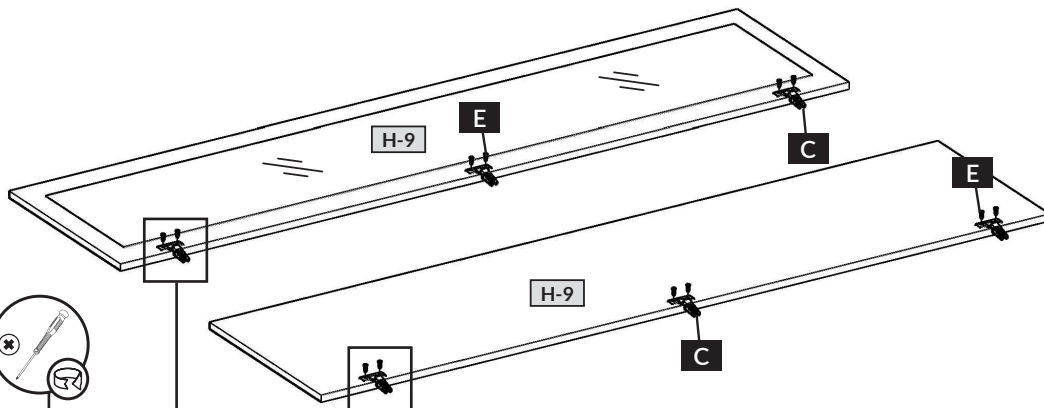




16

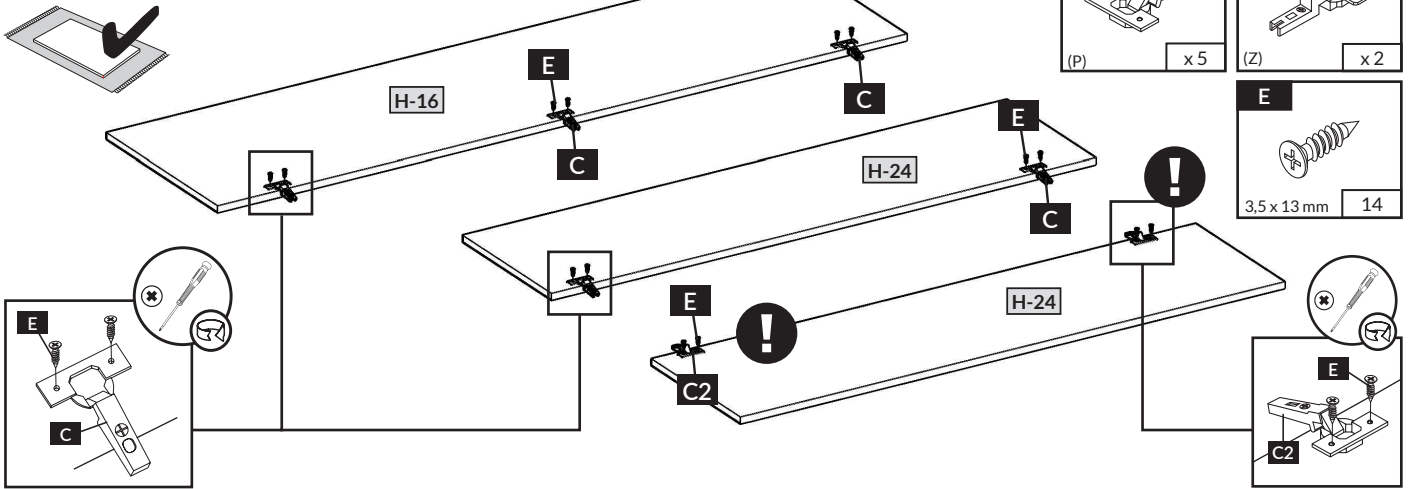


17

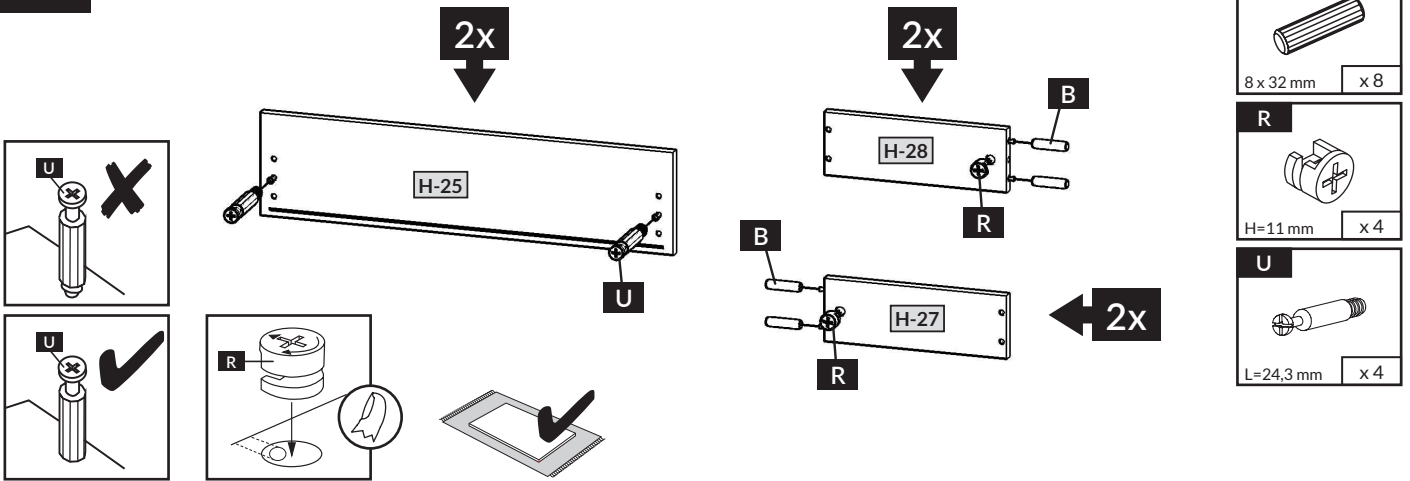




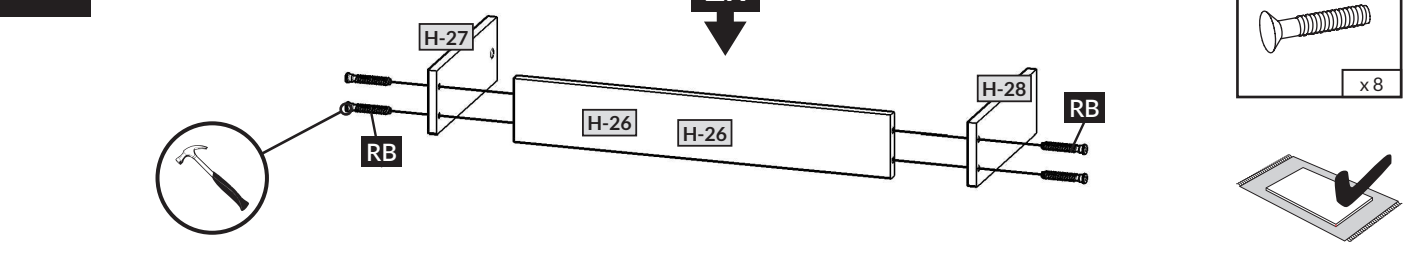
18



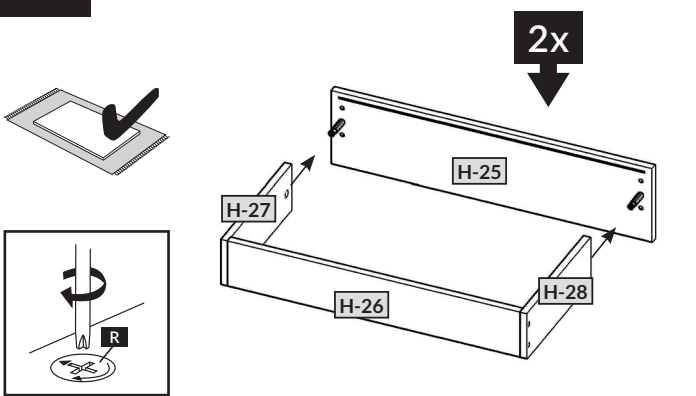
19



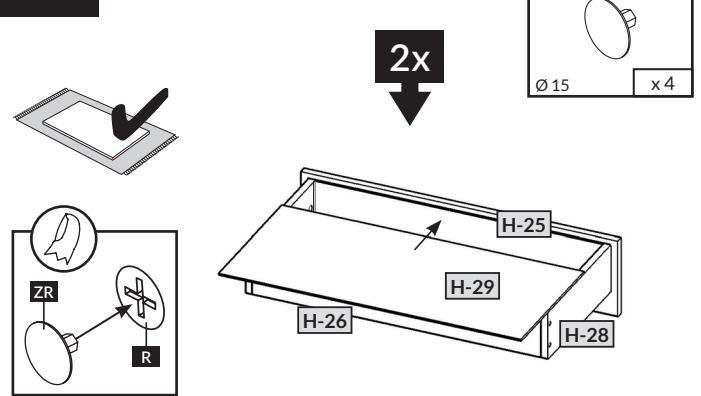
20



21



22



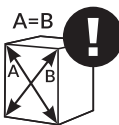
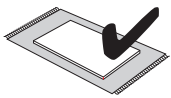
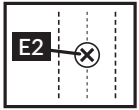
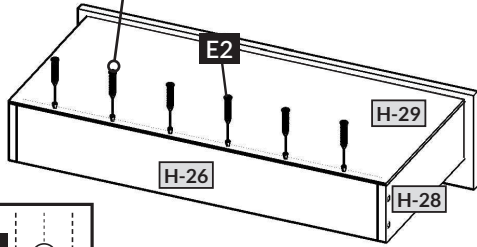
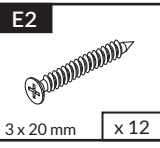




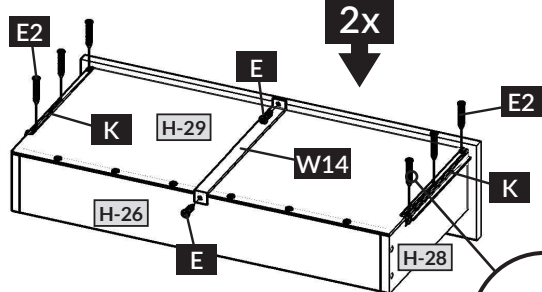
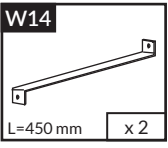
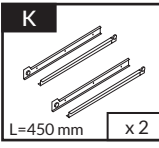
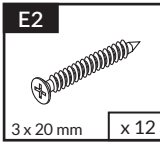
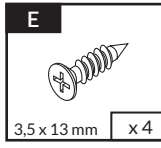
23



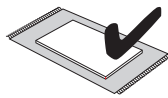
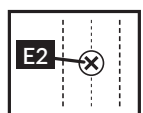
2x



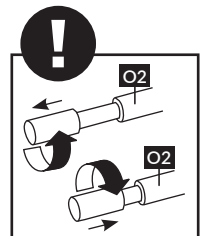
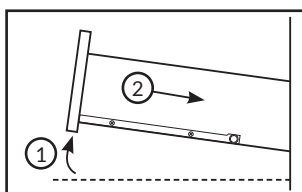
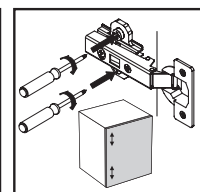
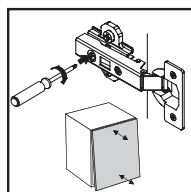
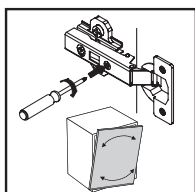
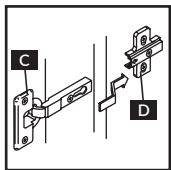
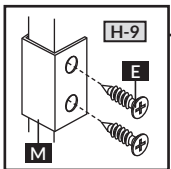
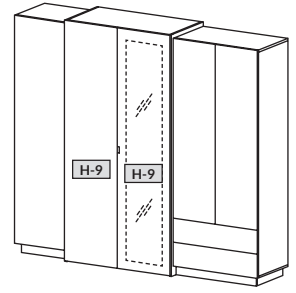
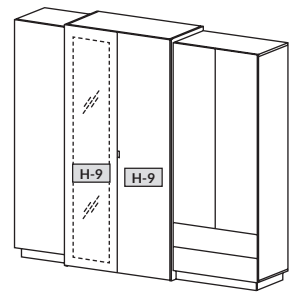
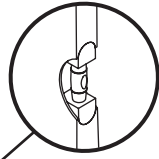
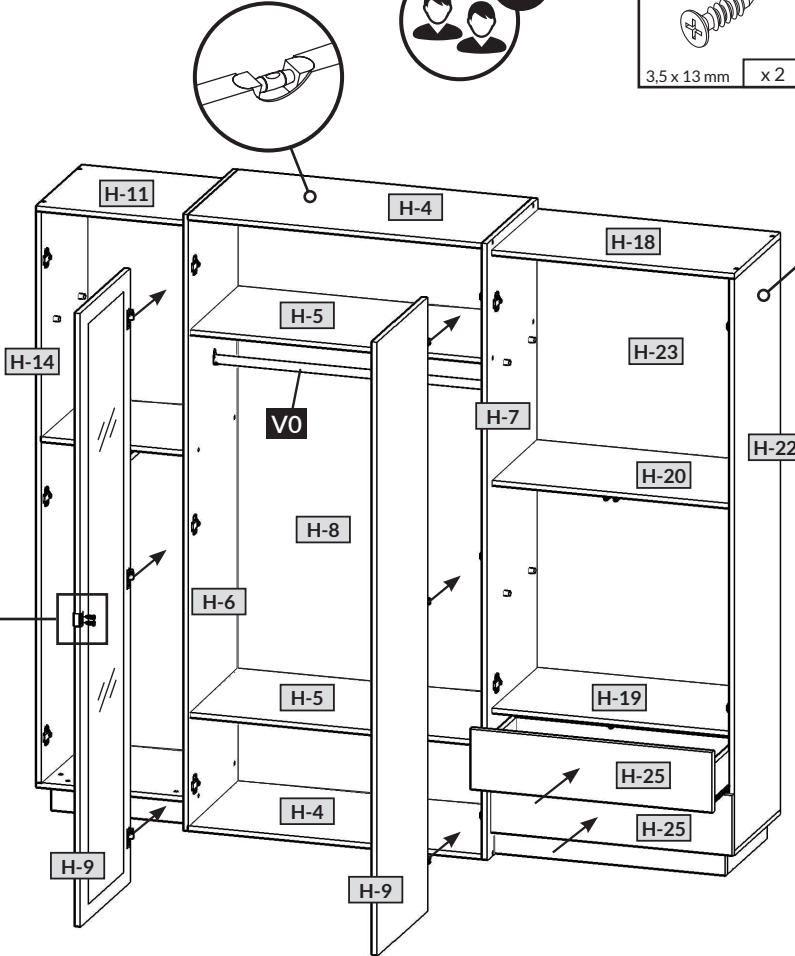
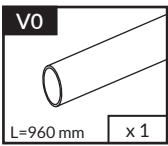
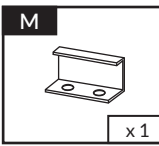
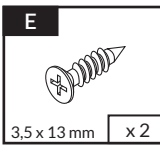
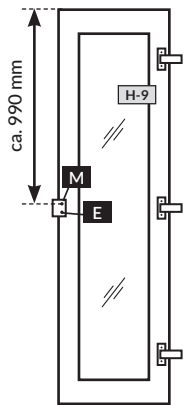
24



2x



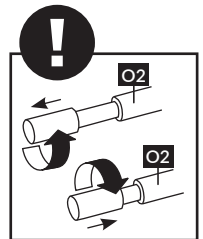
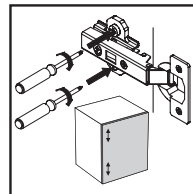
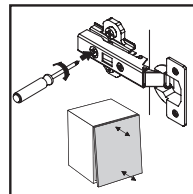
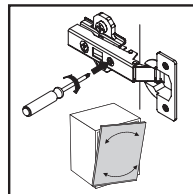
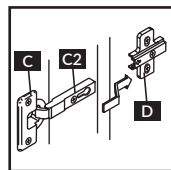
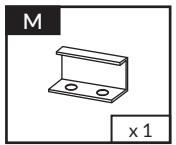
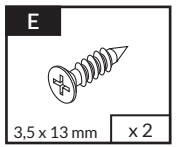
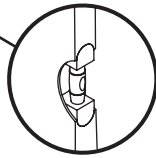
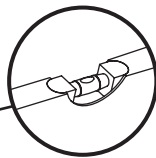
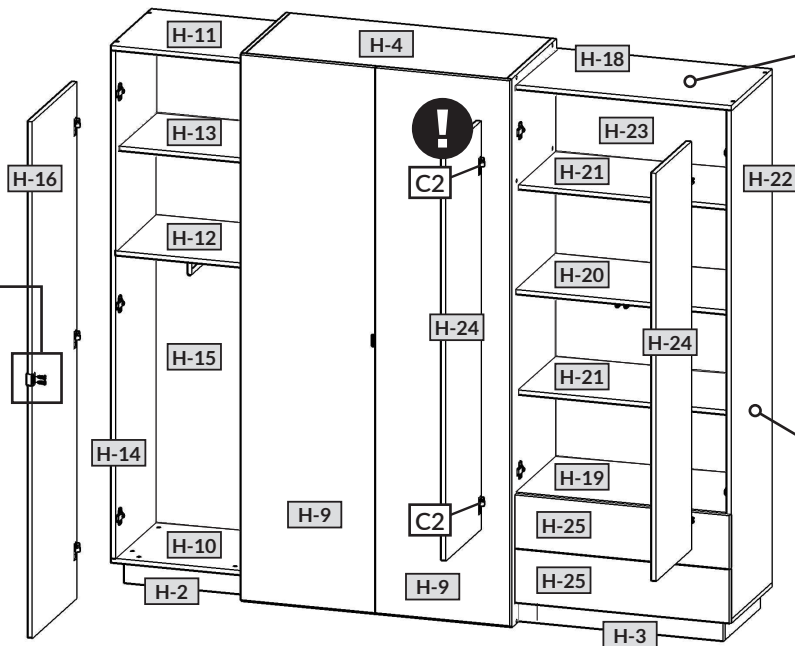
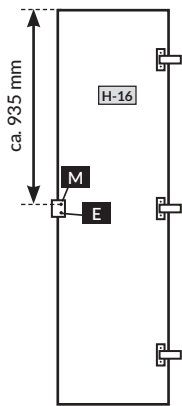
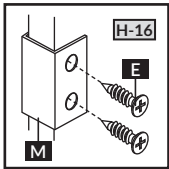
25



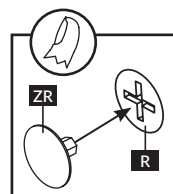
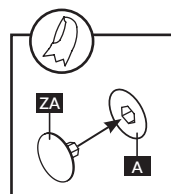
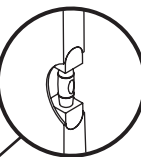
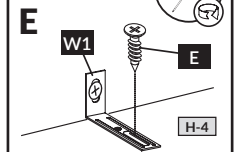
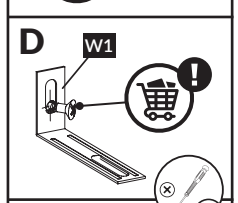
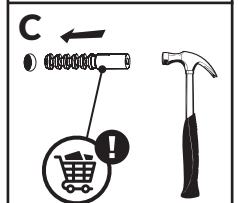
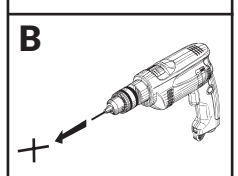
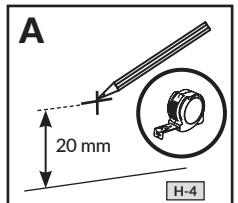
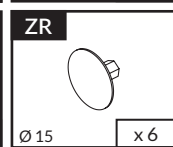
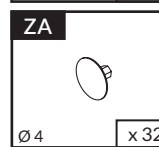
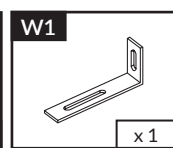
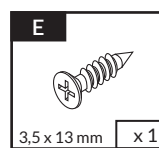
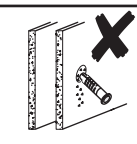
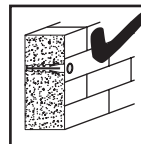
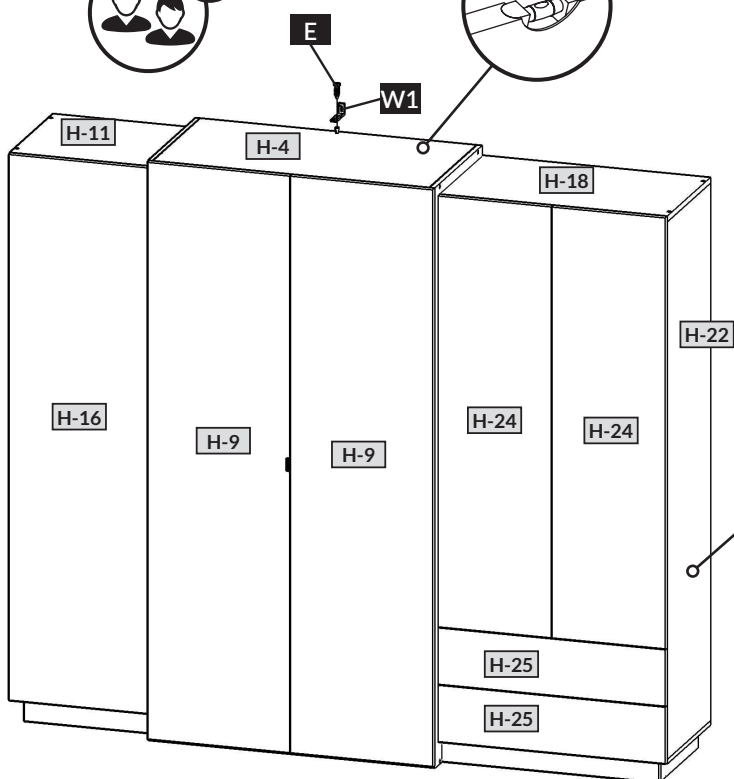
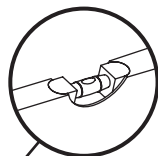


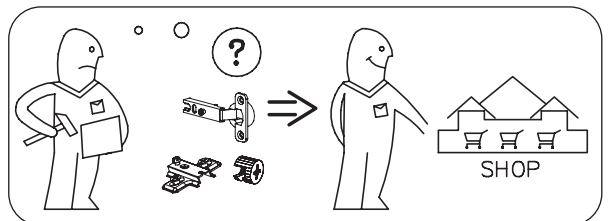
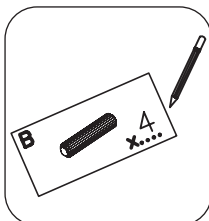
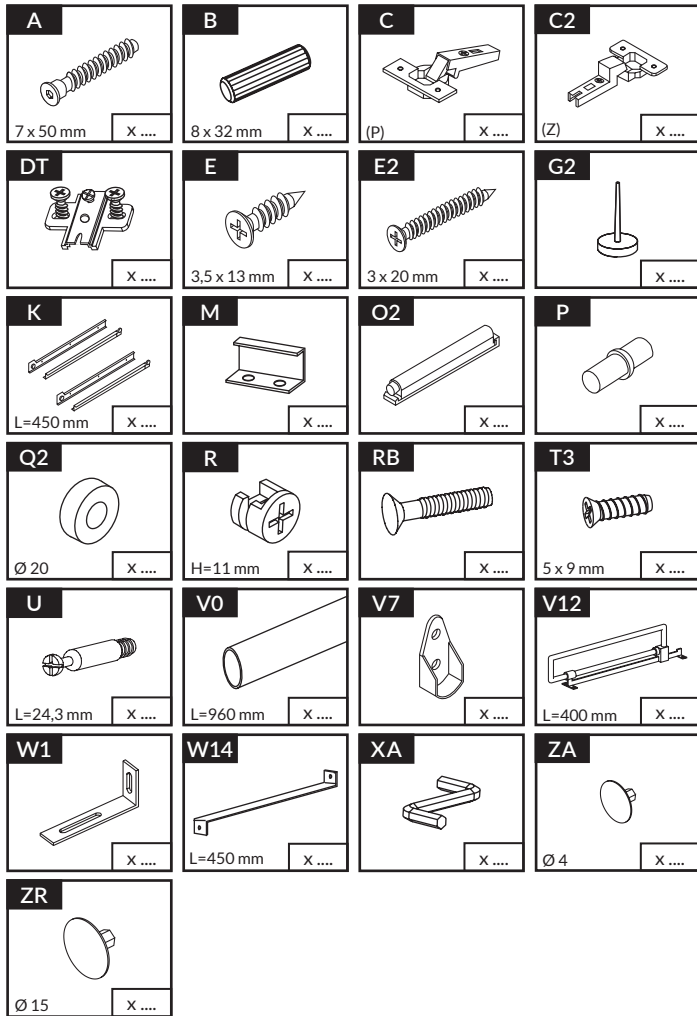


26



27





nr	↔ [mm]	↓ [mm]	∠ [mm]	Menge	Colli
H-1	415	80	16	x2	3/4
H-2	460	80	16	x1	4/4
H-3	760	80	16	x1	3/4
H-4	968	500	16	x2	3/4
H-5	968	490	16	x2	3/4
H-6	2018	500	16	x1	3/4
H-7	2018	500	16	x1	3/4
H-8	2015	982	3	x1	4/4
H-9	2008	496	16	x2	4/4
H-10	500	455	16	x1	4/4
H-11	500	455	16	x1	4/4
H-12	484	455	16	x1	4/4
H-13	484	425	16	x1	4/4
H-14	1872	455	16	x1	1/4
H-15	1898	504	3	x1	3/4
H-16	1900	496	16	x1	4/4
H-17	800	455	16	x1	1/4
H-18	800	455	16	x1	1/4
H-19	784	455	16	x1	1/4
H-20	784	455	16	x1	1/4

nr	↔ [mm]	↓ [mm]	∠ [mm]	Menge	Colli
H-21	784	425	16	x2	2/4
H-22	1872	455	16	X1	1/4
H-23	1898	805	3	x1	3/4
H-24	1500	396	16	x2	2/4
H-25	796	196	16	x2	2/4
H-26	727	120	16	x2	2/4
H-27	450	120	16	x2	1/4
H-28	450	120	16	x2	1/4
H-29	757	456	3	x2	1/4

