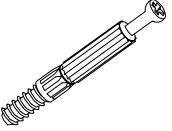
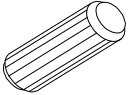
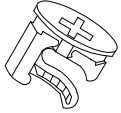
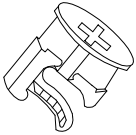
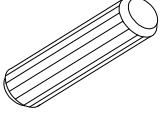

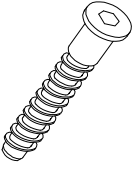

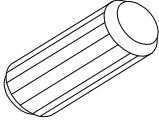
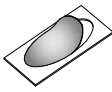

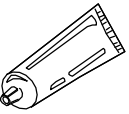

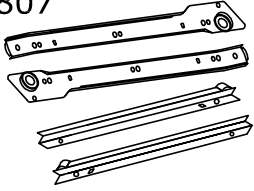
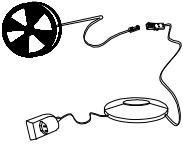
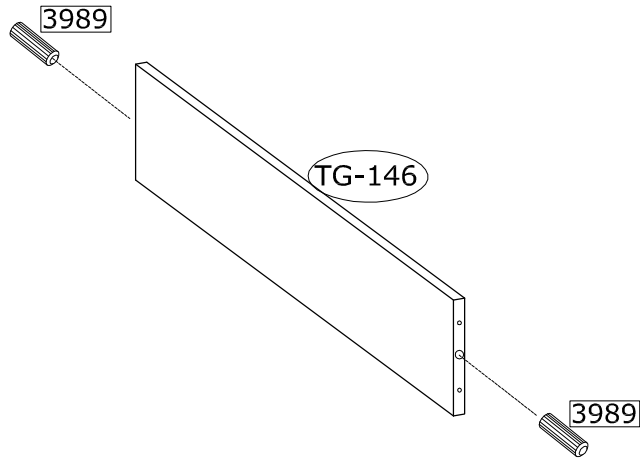
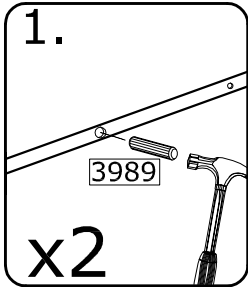


160/200	TG-9000	TG-145	TG-950
180/200	TG-9010	TG-148	TG-955

<p>4066</p>  <p>x24</p>	<p>3989</p>  <p>Ø8x30mm x14</p>	<p>3996</p>  <p>Ø15x12mm x8</p>	<p>3997</p>  <p>Ø15x16mm x16</p>
<p>3991</p>  <p>Ø8x50mm x8</p>	<p>3918</p>  <p>Ø3,5x16mm x12</p>	<p>3884</p>  <p>x12</p>	<p>3984</p>  <p>4 mm x1</p>
<p>3992</p>  <p>Ø10,0x35mm x8</p>	<p>136239</p>  <p>Ø20 x24</p>	<p>3923</p>  <p>Ø4,0x16mm x22</p>	<p>3983</p>  <p>x1</p>
<p>3877</p>  <p>Ø6.0x13mm x16</p>	<p>3807</p>  <p>L-550 mm x2 KPL</p>	<p>IN00521</p>  <p>x2</p>	

1

3989
x2



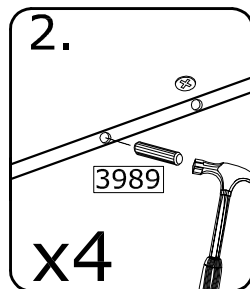
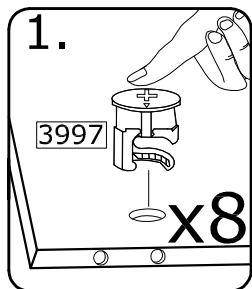
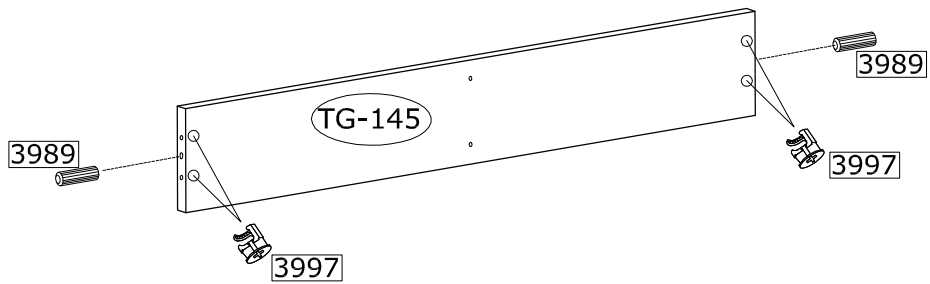
2

3989
x4

3997
x8

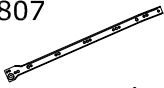


x2



3

3807



x4

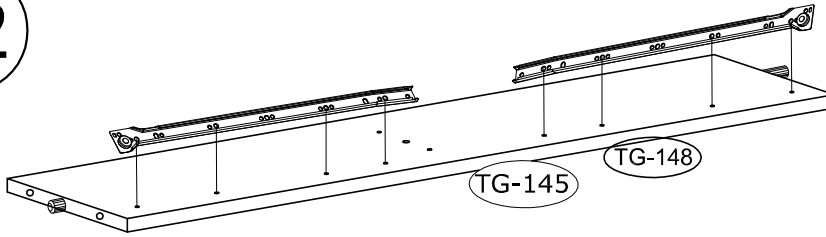
3877



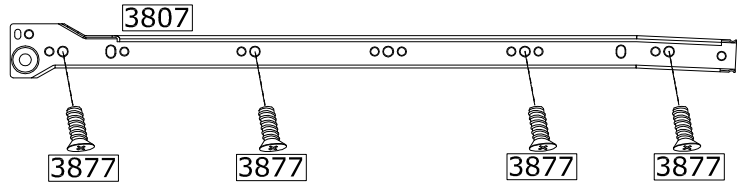
x16



x2



1.



x4

4

3884

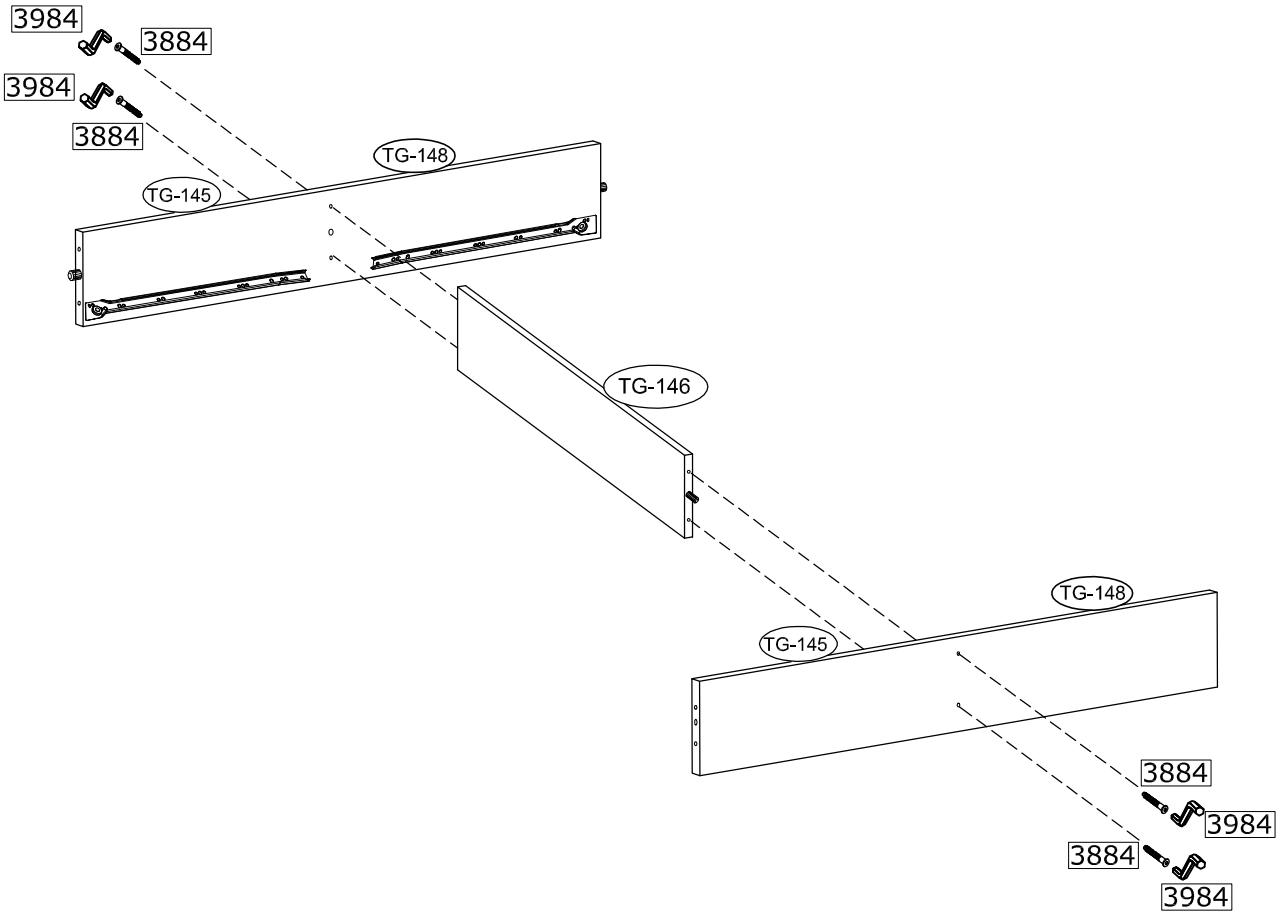


x4

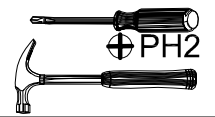
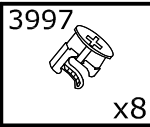
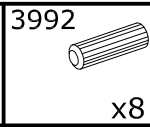
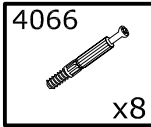
3984



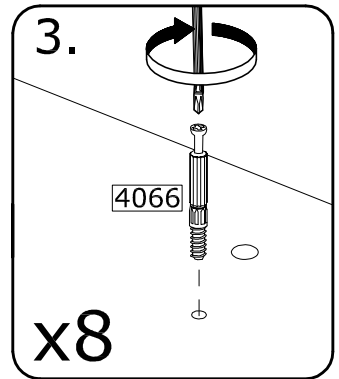
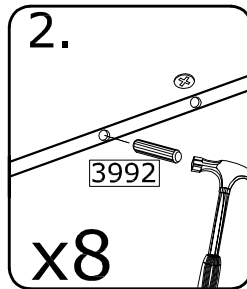
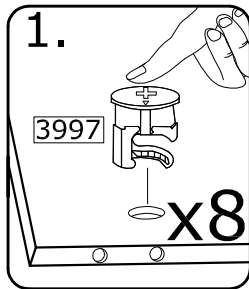
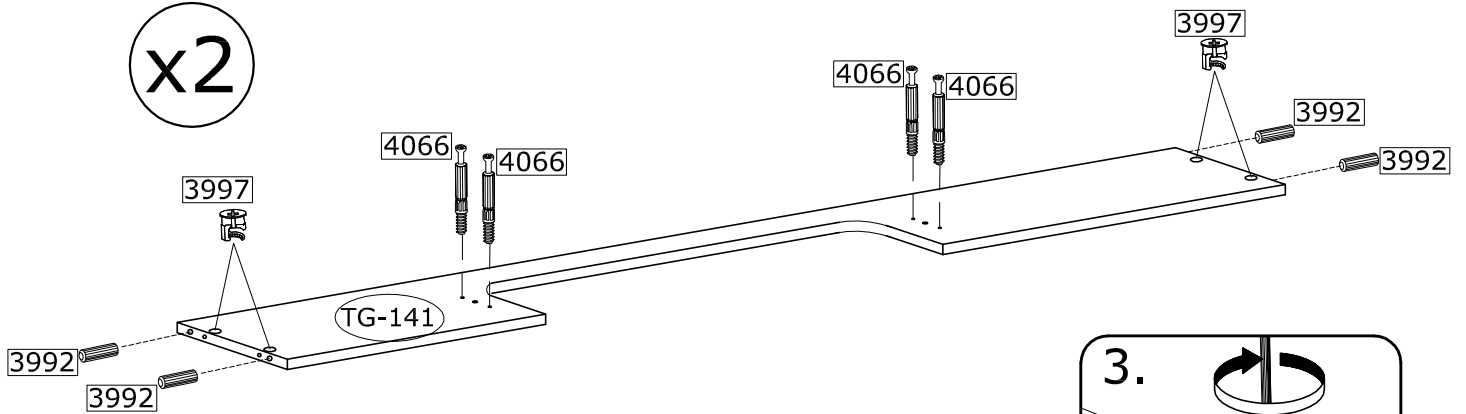
x1



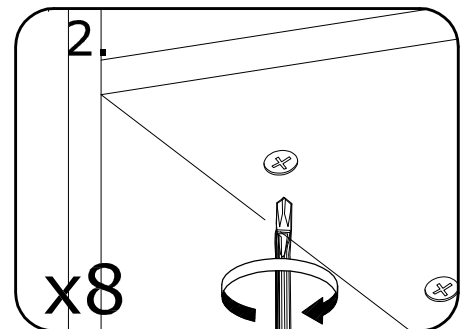
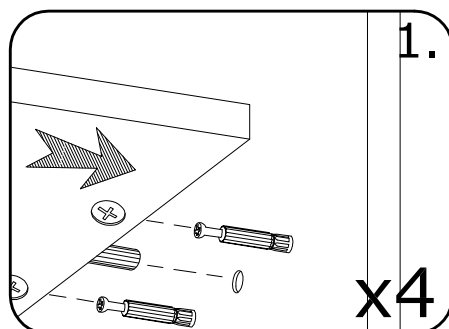
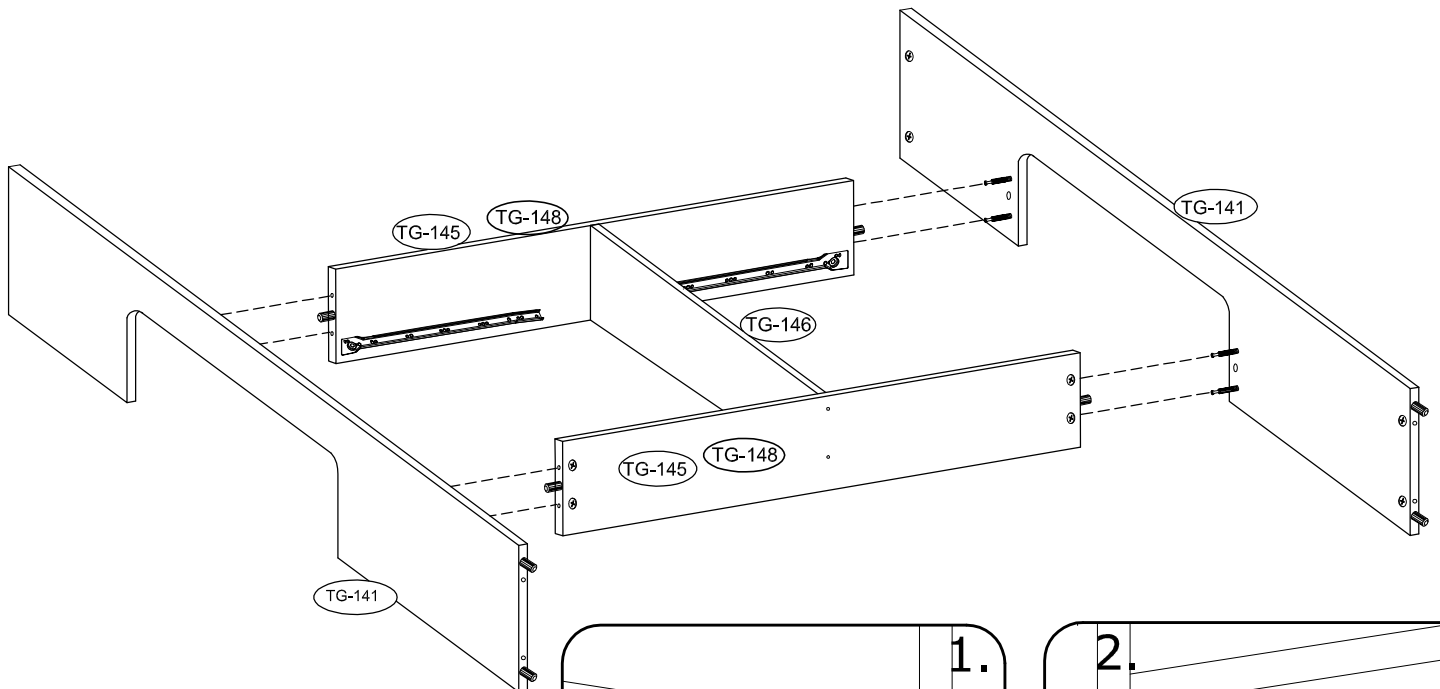
5



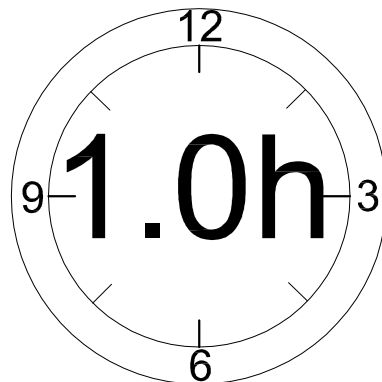
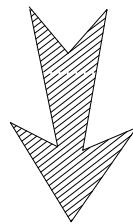
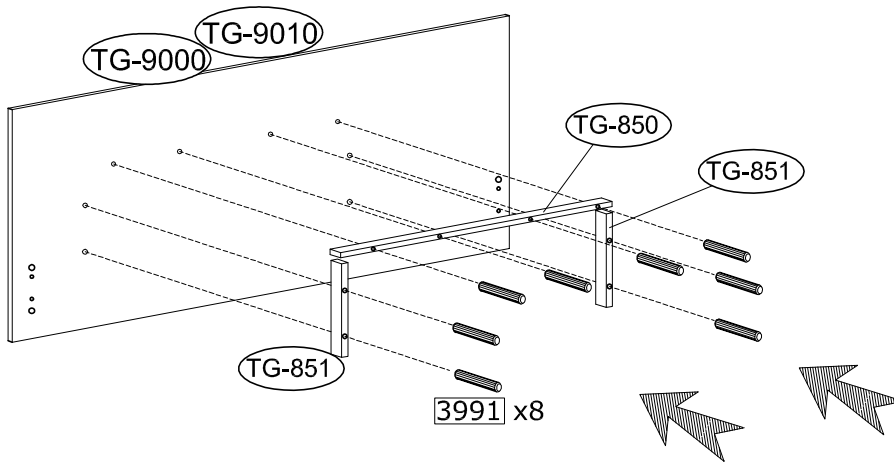
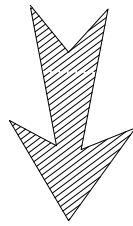
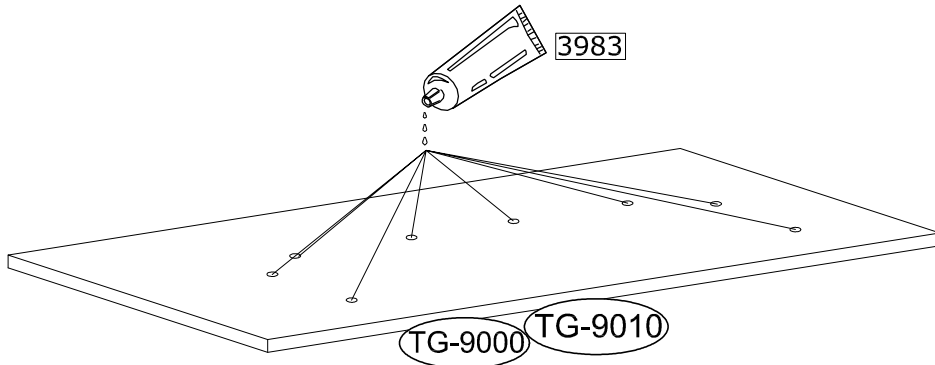
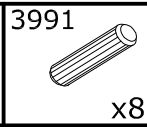
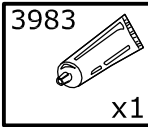
x2



6



7

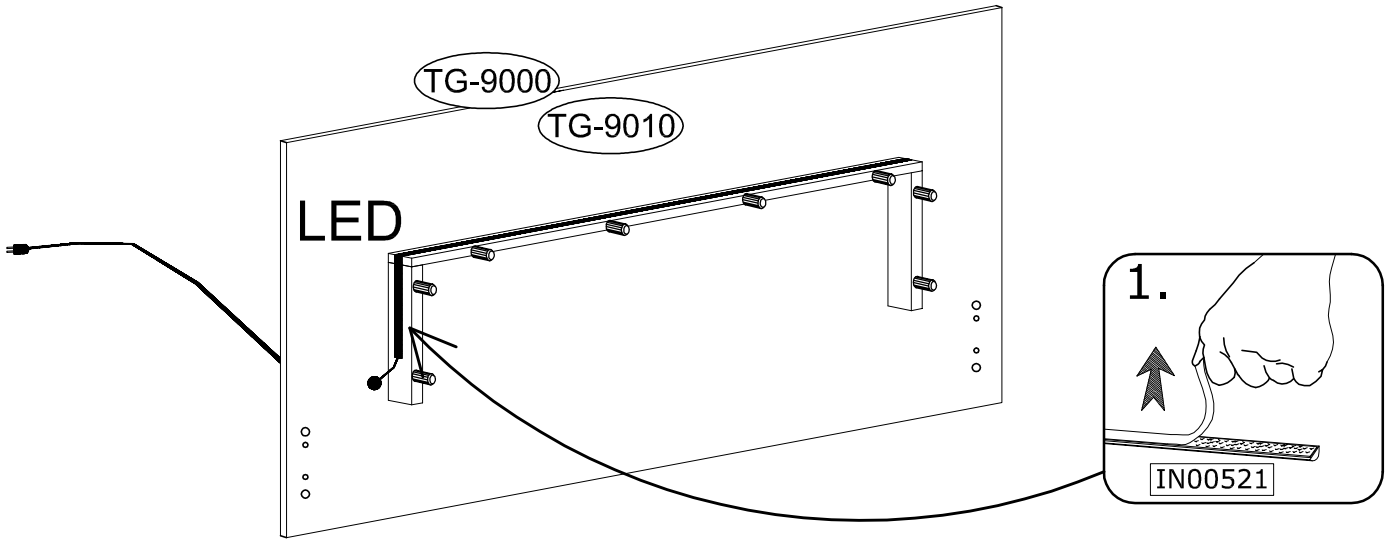


8

IN00521



x1

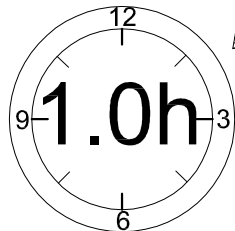
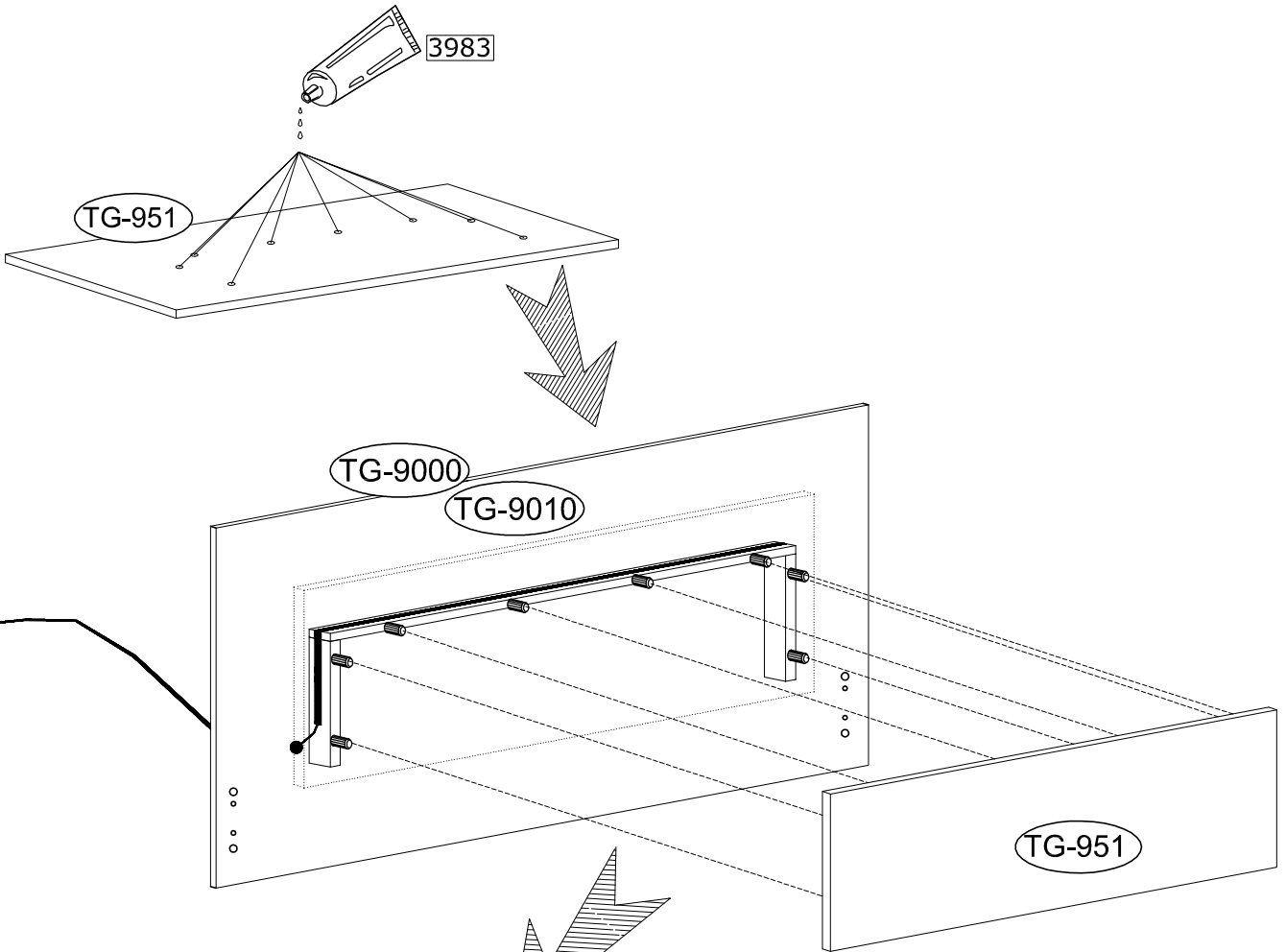


9

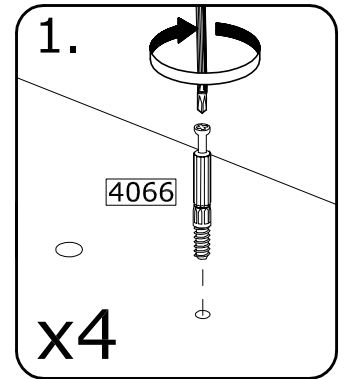
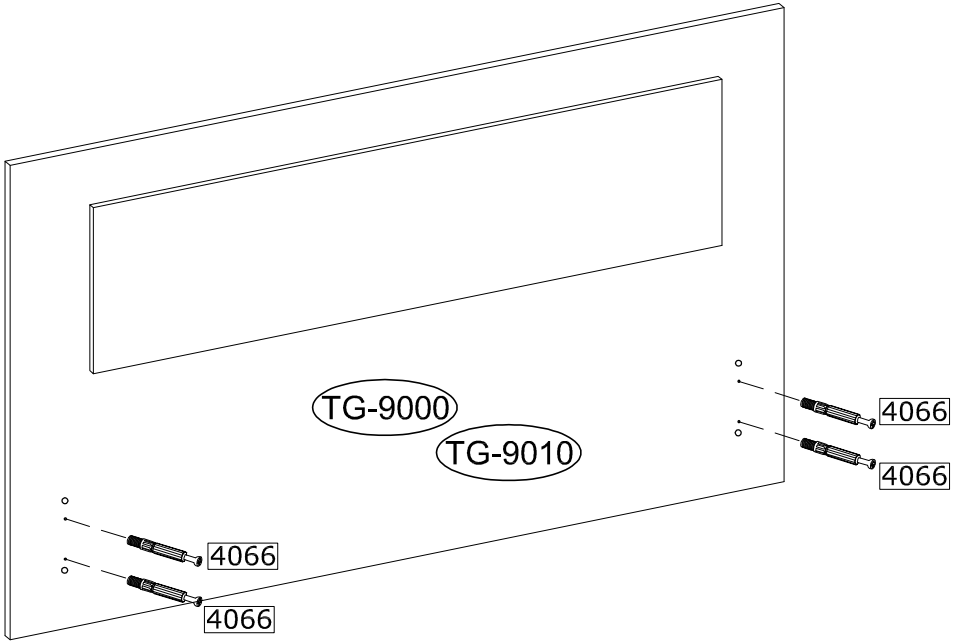
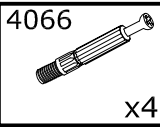
3983



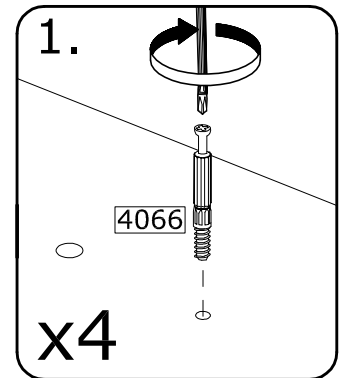
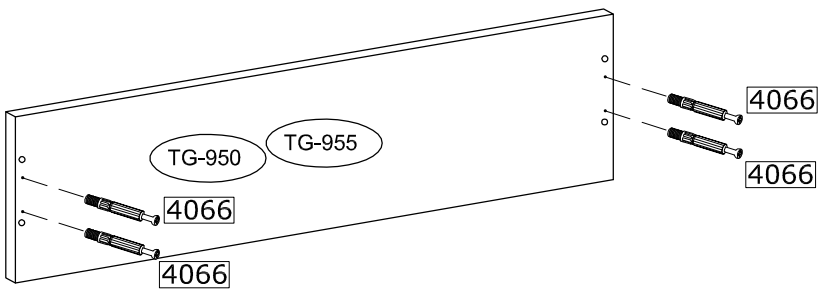
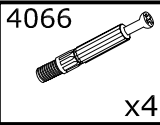
x1



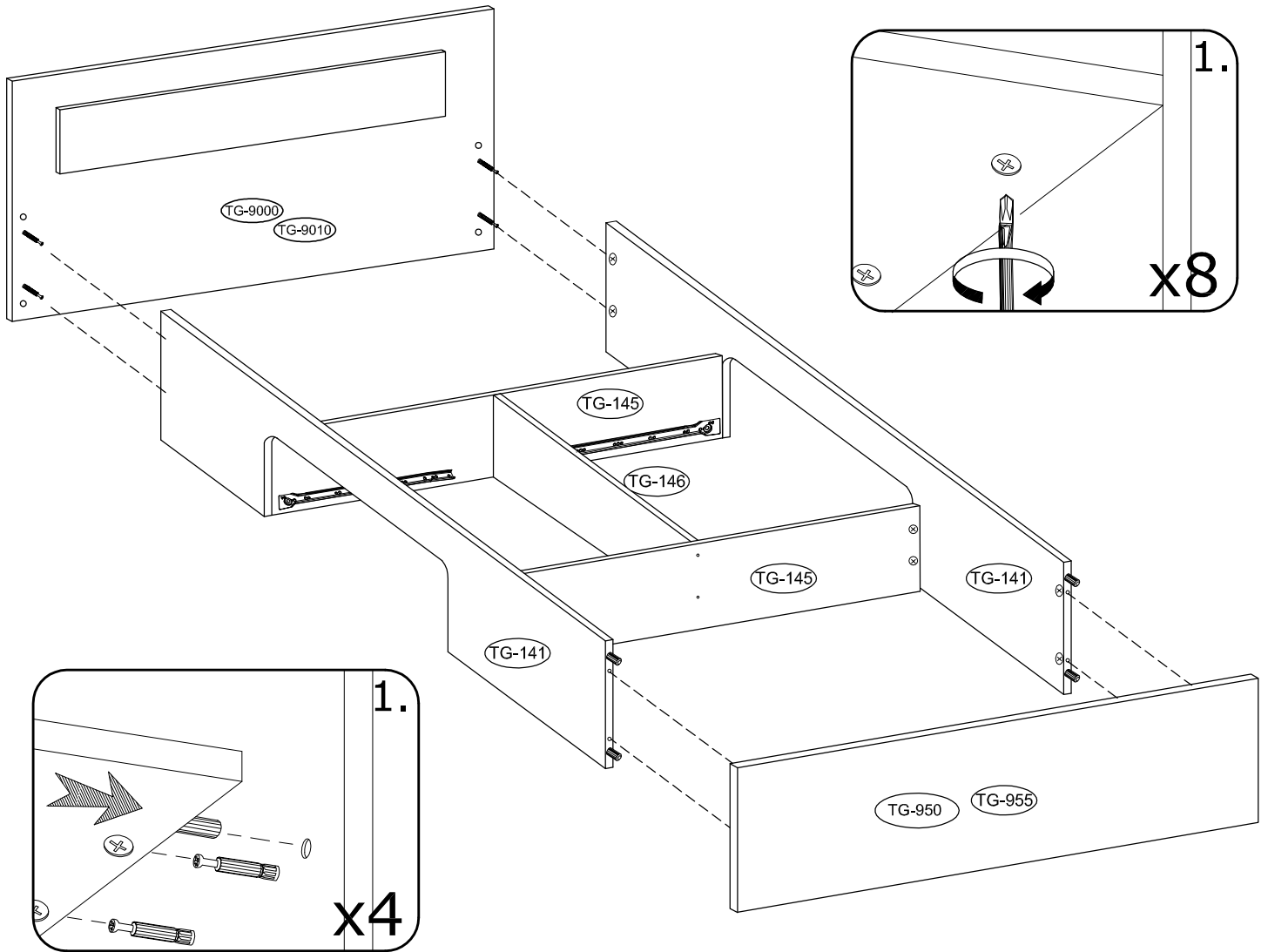
10



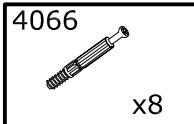
11



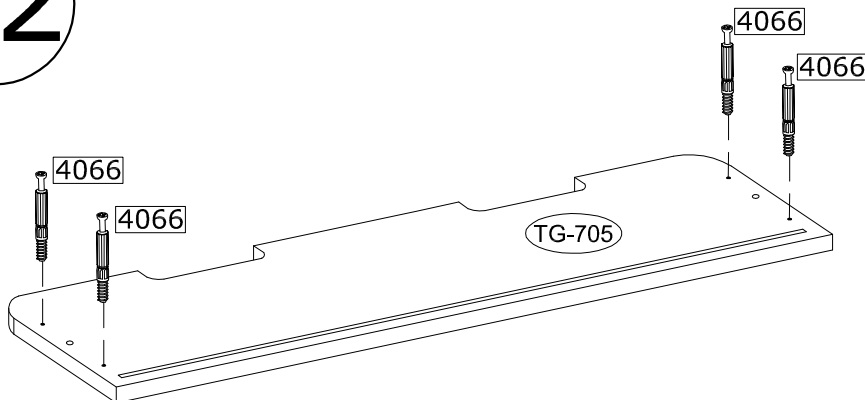
12



13

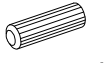


x2



14

3989

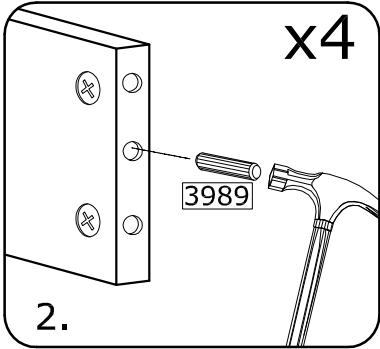
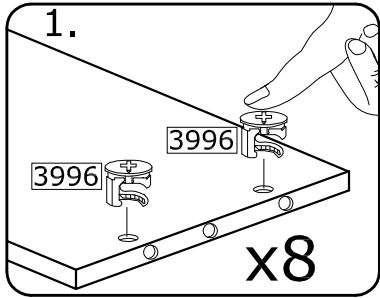


x4

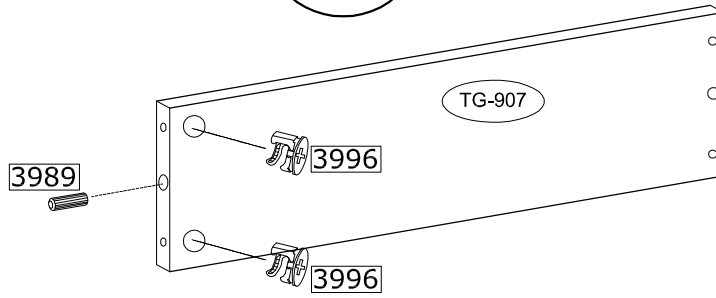
3996



x8

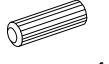


x4



15

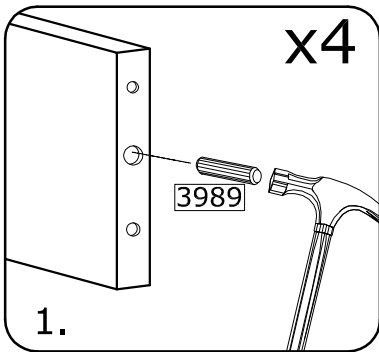
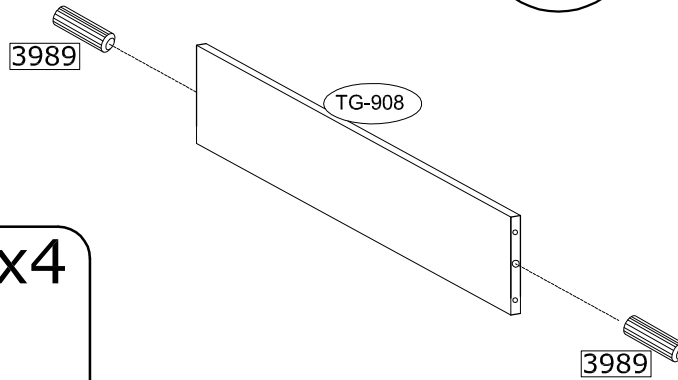
3989



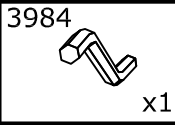
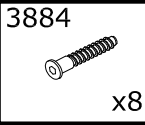
x4



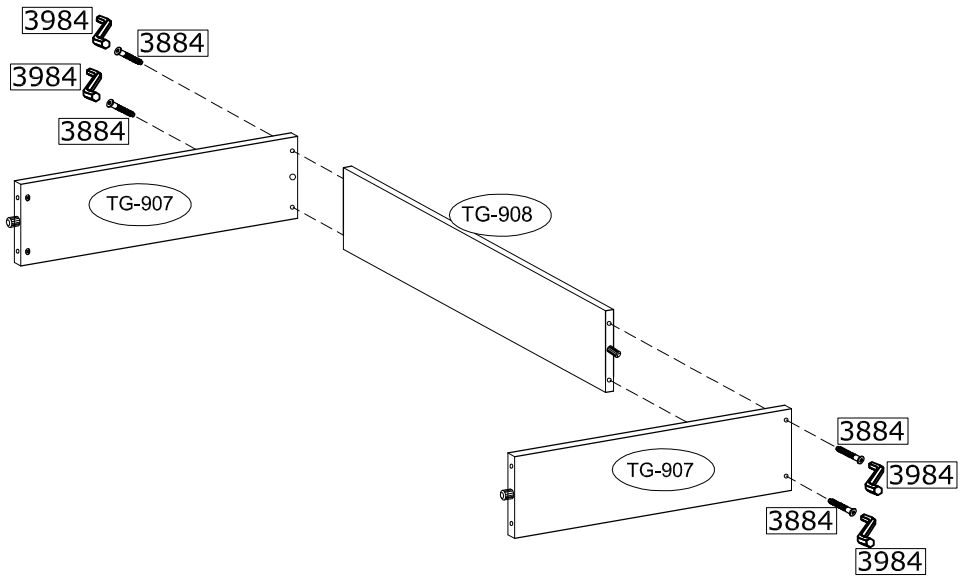
x2



16



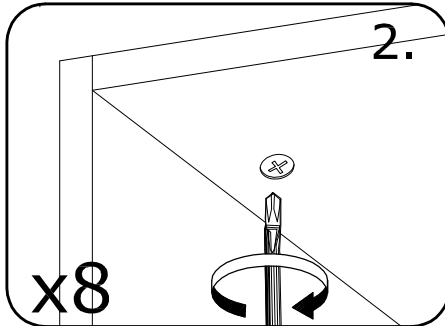
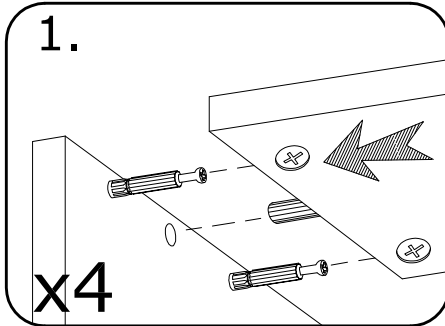
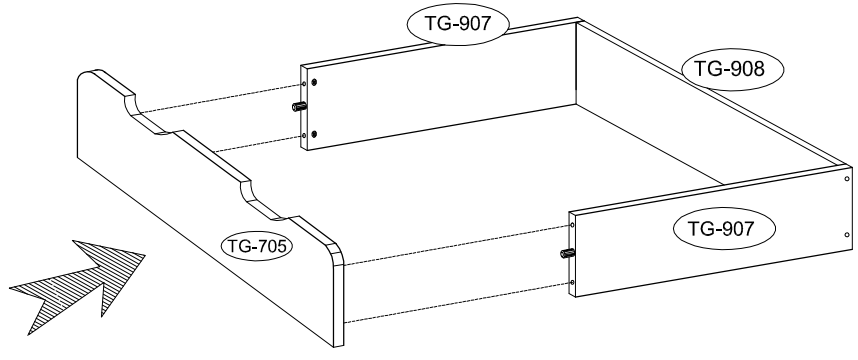
x2



17



x2



18

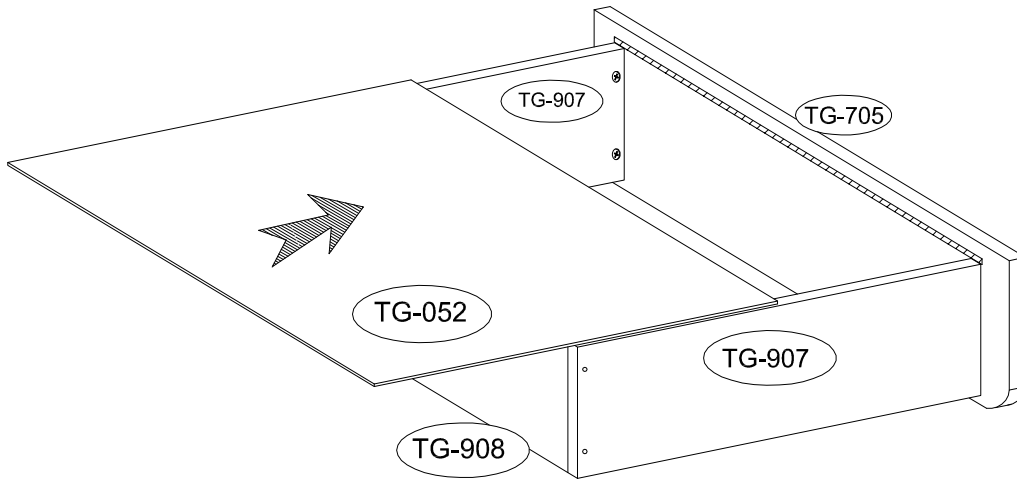
3923



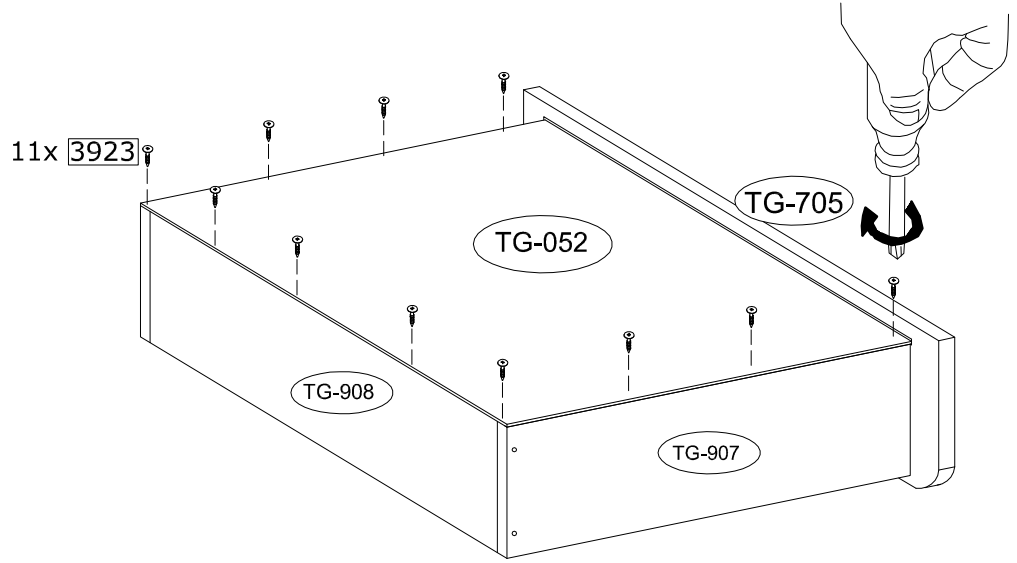
x22



PH2



x2



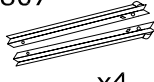
19

3918



x12

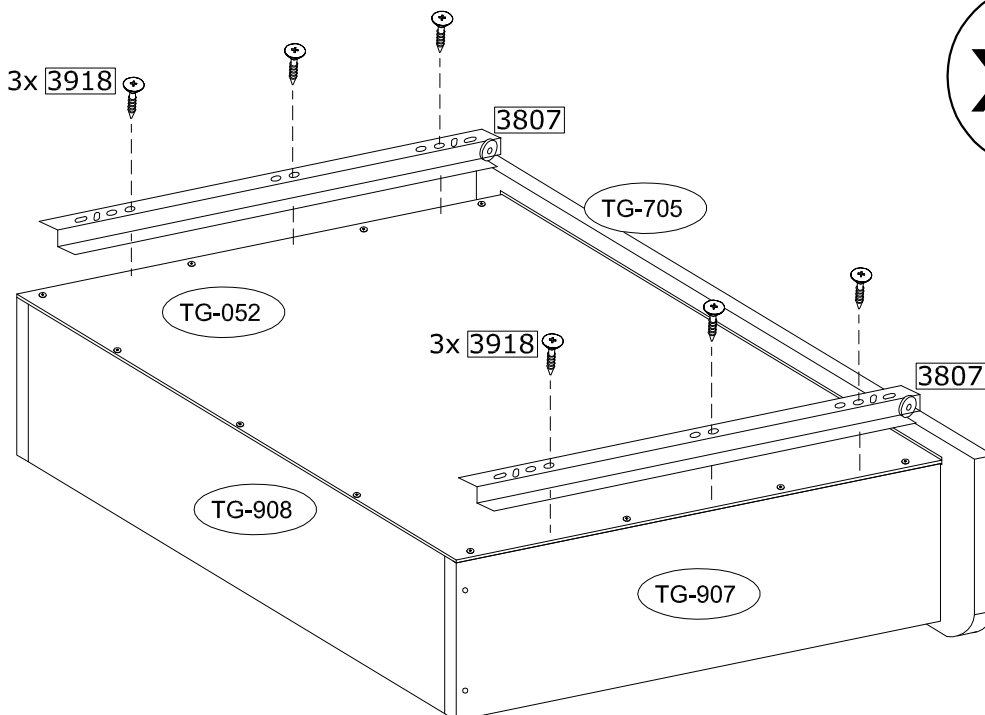
3807



x4



PH2



x2

20

136239



x24

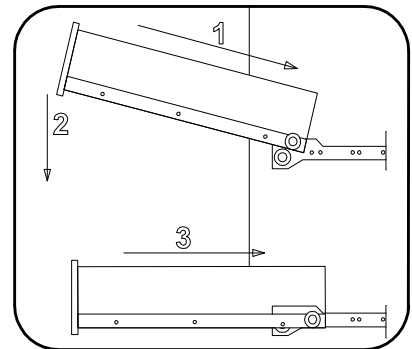
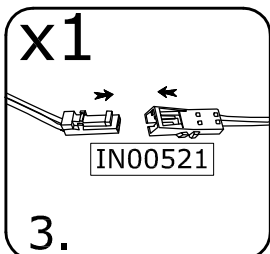
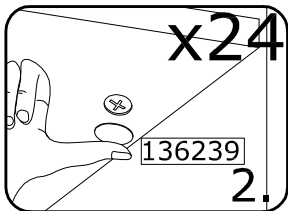
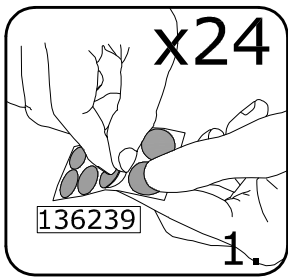
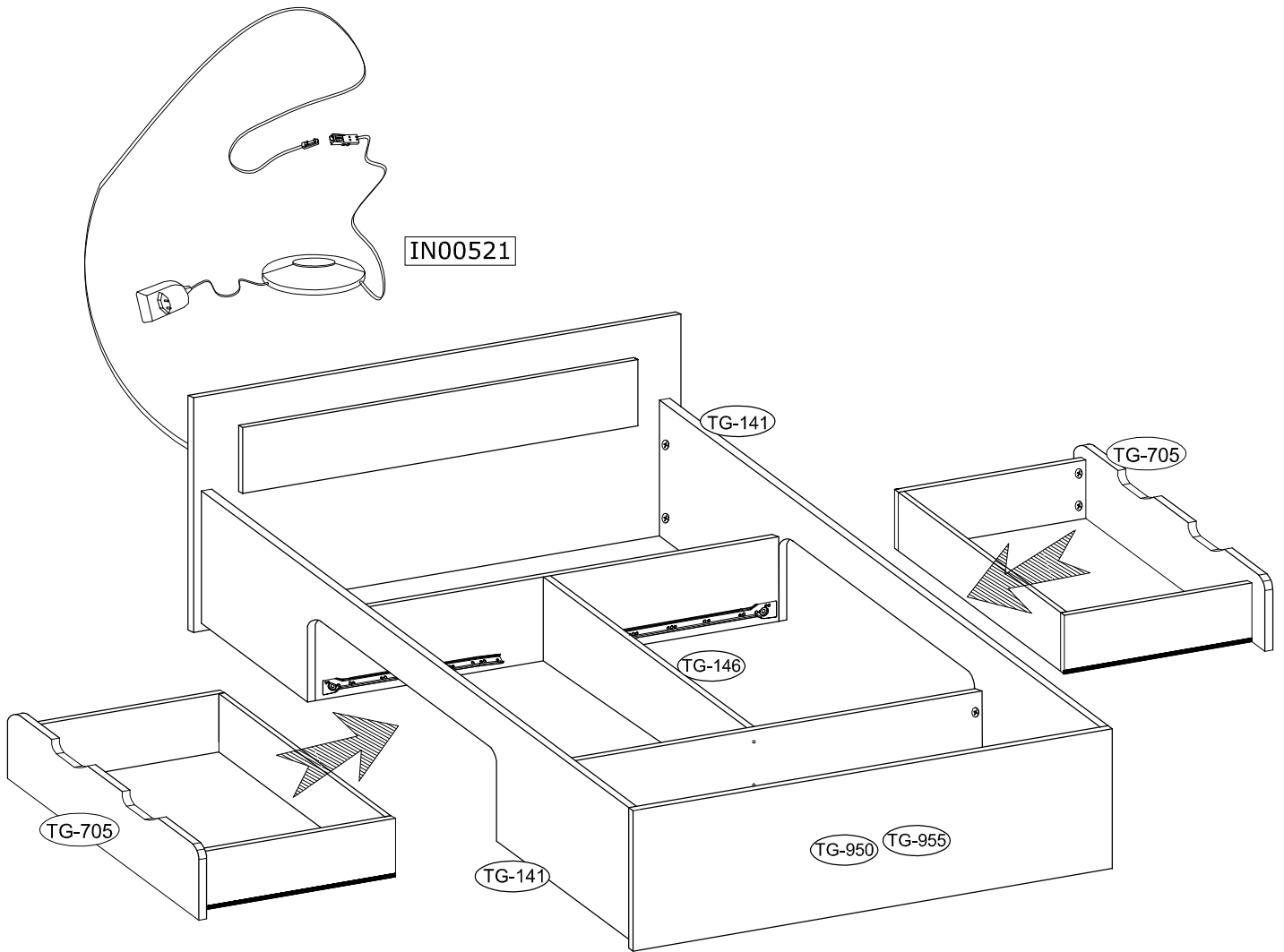
IN00521

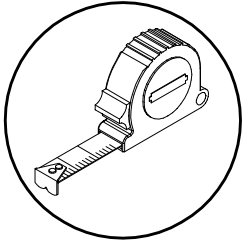
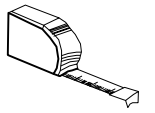


x1

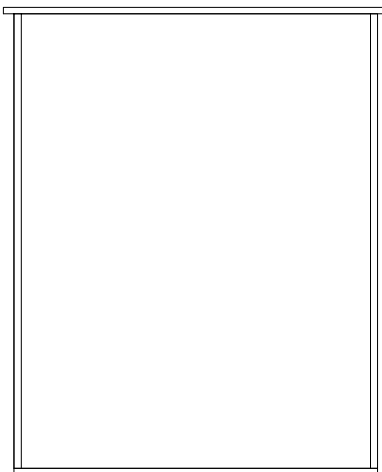
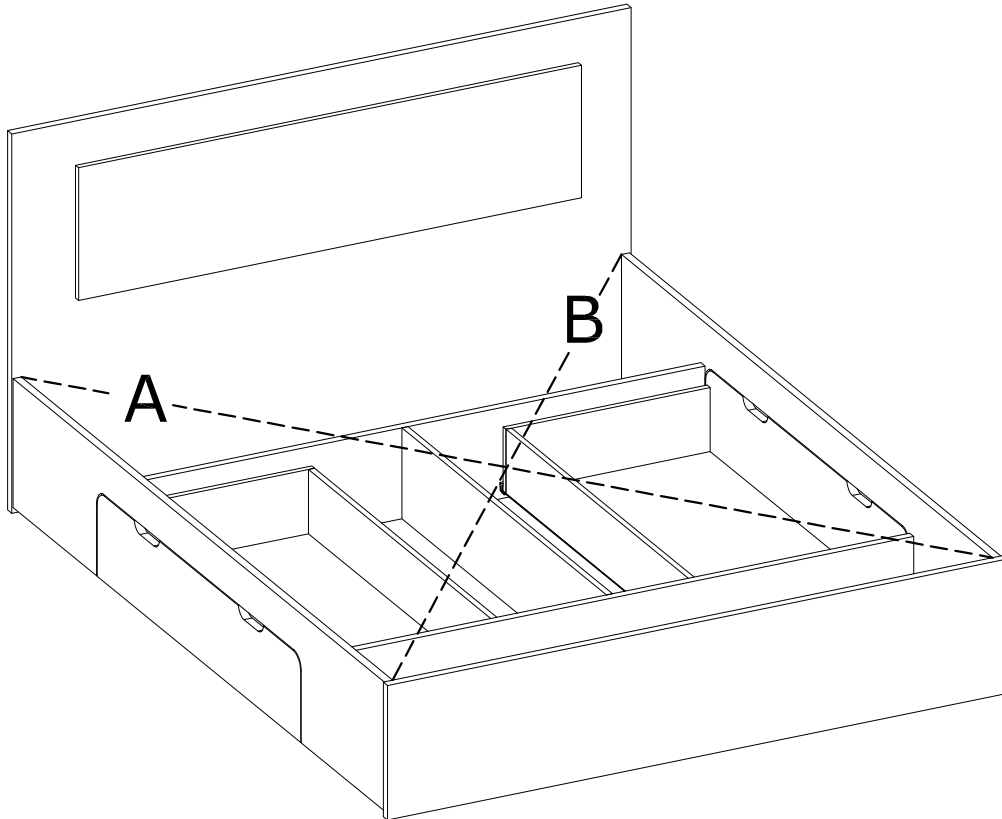


PH2

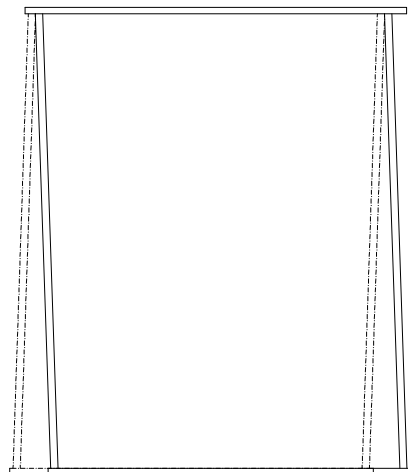




A=B



A=B



A≠B