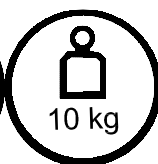
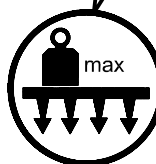
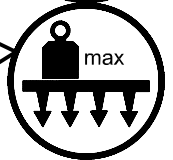
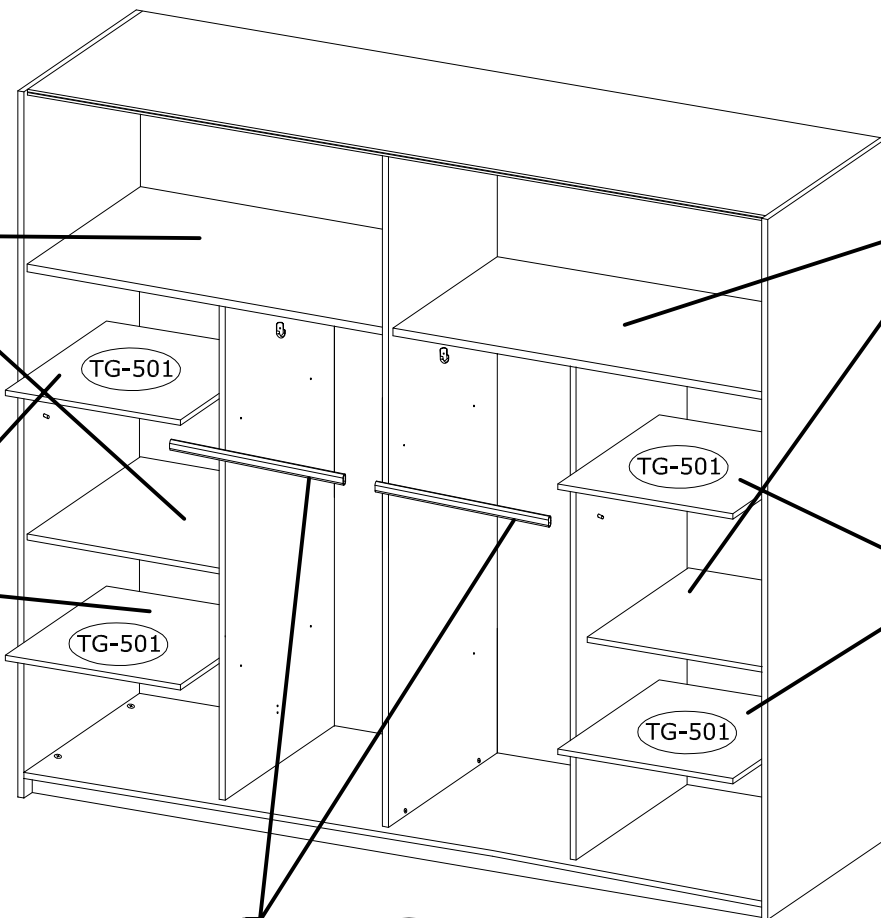
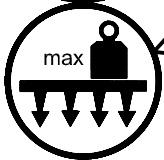
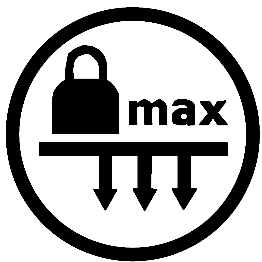
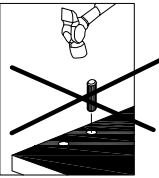
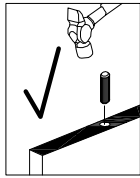
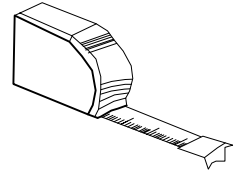
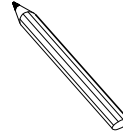
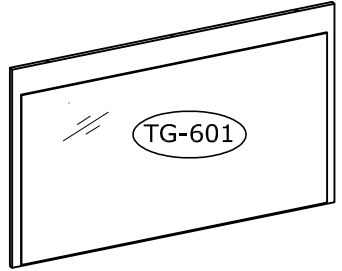
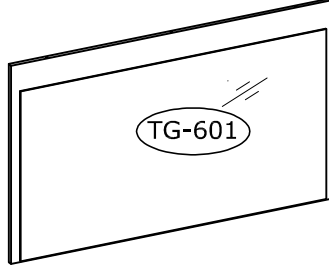
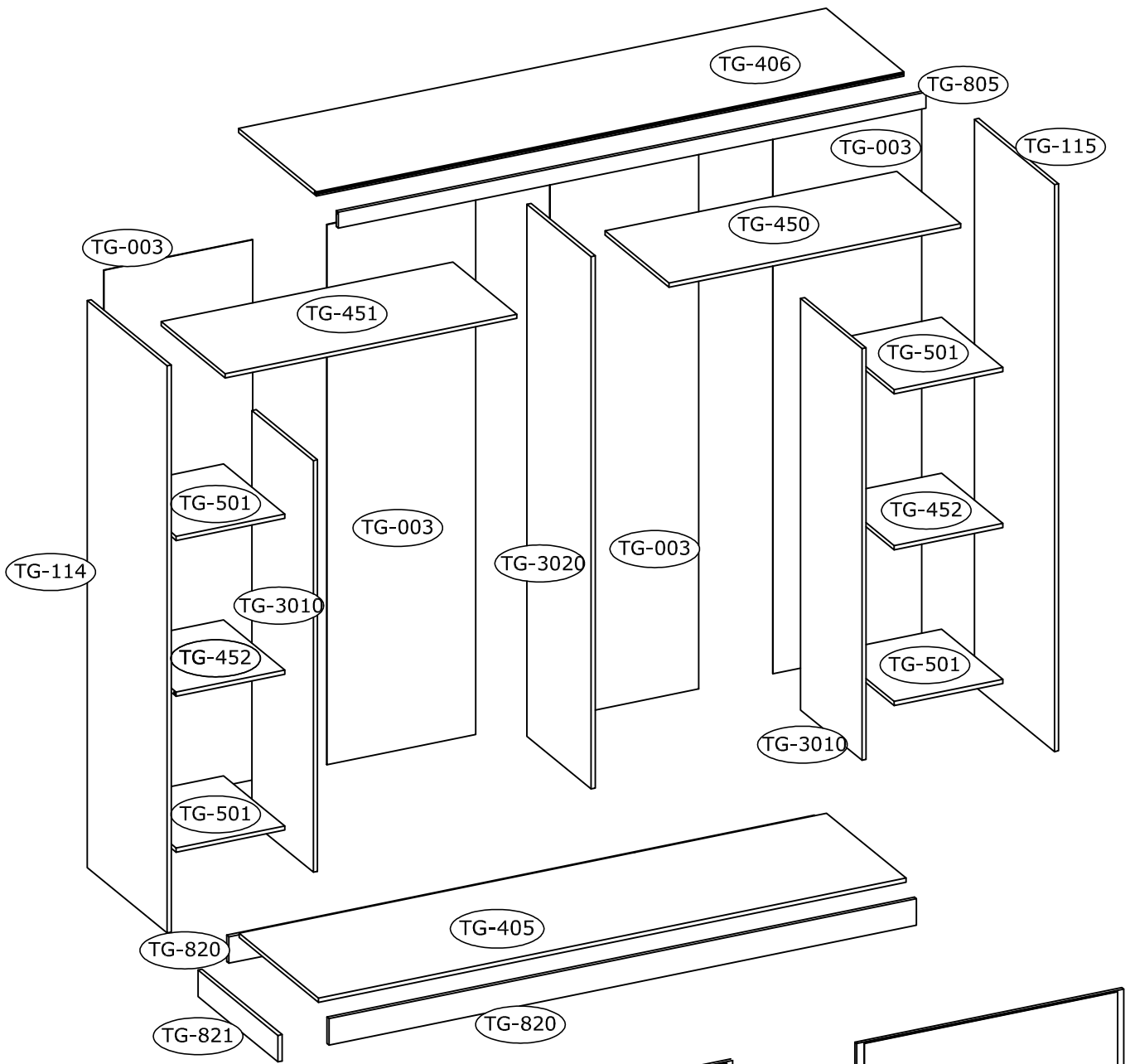
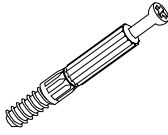
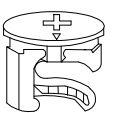
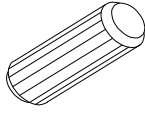
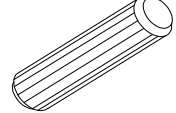
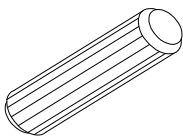
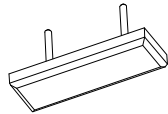
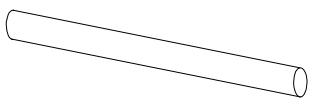

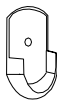
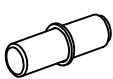



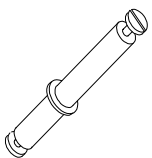
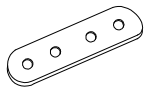
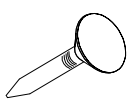
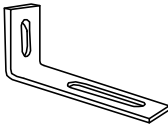
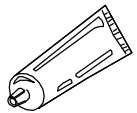
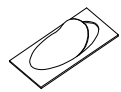
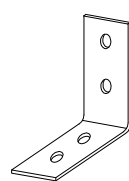
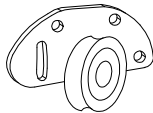
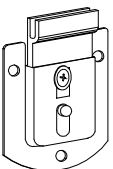

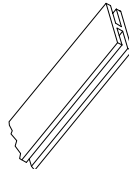
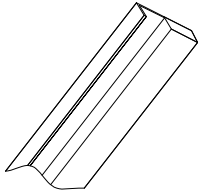
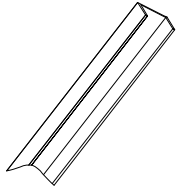
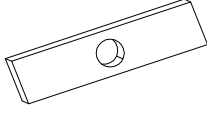
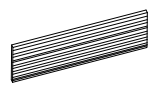
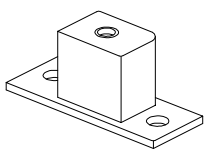


⊕PH2

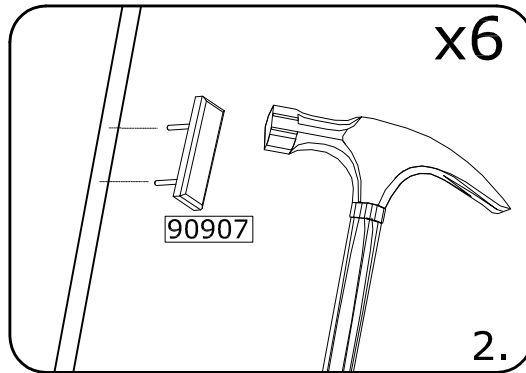
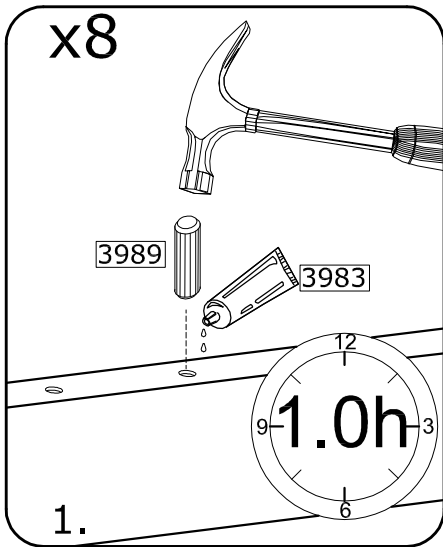
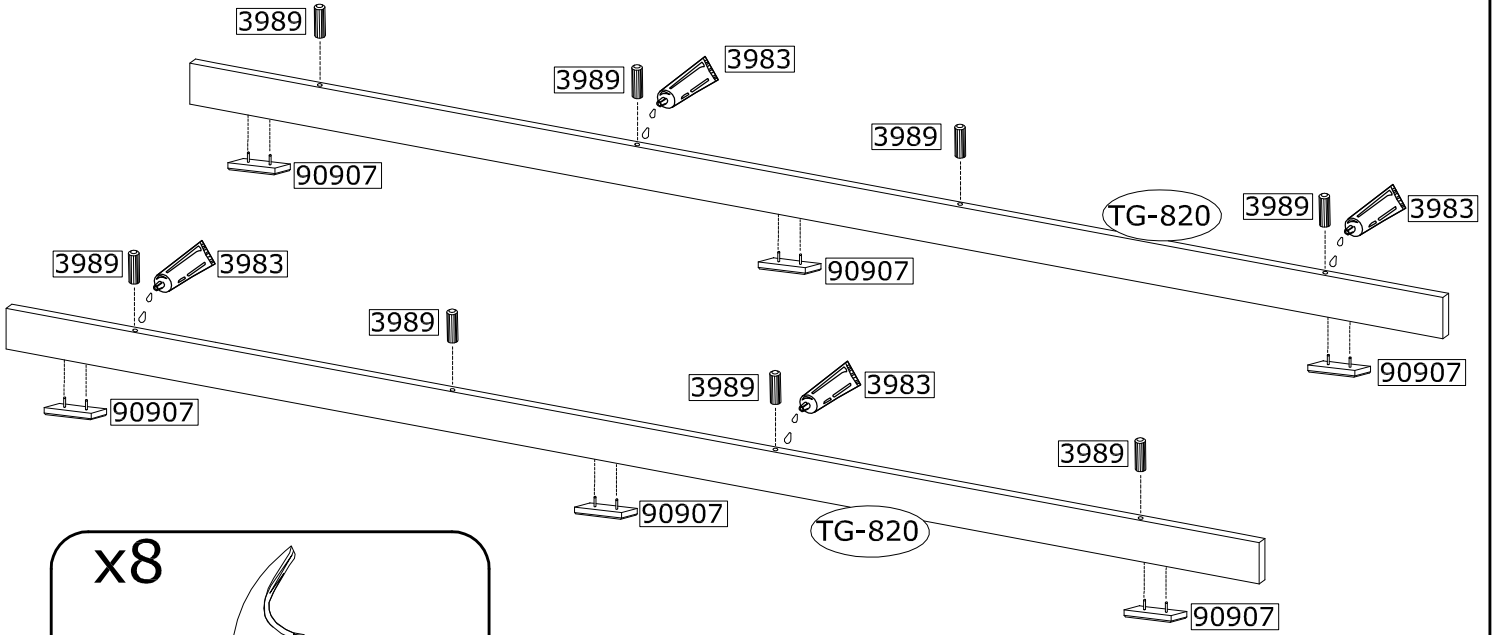




<p>4066</p>  <p>x32</p>	<p>3996</p>  <p>Ø15x12mm x36</p>	<p>3989</p>  <p>Ø8x30mm x42</p>	<p>142484</p>  <p>Ø6x35mm x12</p>
<p>3991</p>  <p>Ø8x50mm x2</p>	<p>90907</p>  <p>x12</p>	<p>85891</p>  <p>L-682 x2</p>	<p>3879</p>  <p>Ø6.3x13mm x4</p>
<p>4069</p>  <p>x4</p>	<p>4017</p>  <p>x16</p>	<p>3918</p>  <p>Ø3,5x16mm x100</p>	<p>3923</p>  <p>Ø4,0x16mm x30</p>
<p>3912</p>  <p>Ø3,0x13mm x32</p>	<p>4062</p>  <p>x2</p>	<p>71929</p>  <p>x12</p>	<p>3975</p>  <p>x80</p>
<p>71900</p>  <p>x2</p>	<p>3983</p>  <p>x1</p>	<p>136239</p>  <p>Ø20 x36</p>	<p>3981</p>  <p>40x40/18mm x6</p>
<p>IN01007</p>  <p>x4</p>	<p>IN01006</p>  <p>x4</p>	<p>85934</p>  <p>x4</p>	<p>IN00378</p>  <p>x2</p>
<p>85570</p>  <p>x3</p>	<p>85936</p>  <p>x1</p>	<p>77793</p>  <p>x12</p>	<p>3993</p>  <p>x6</p>
<p>86307</p>  <p>x1</p>			

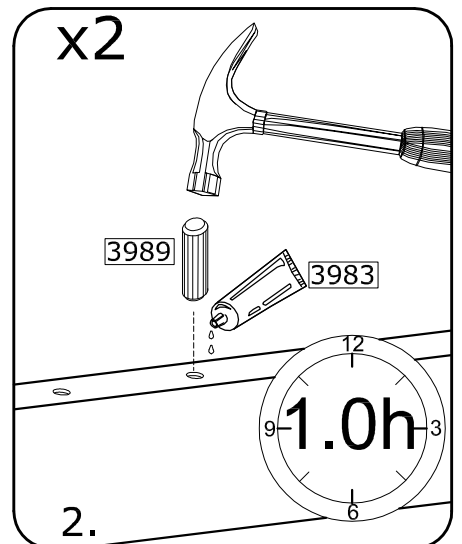
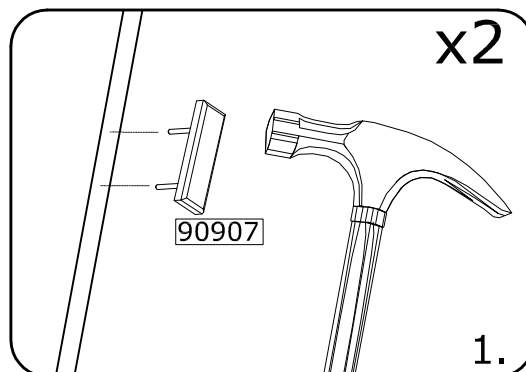
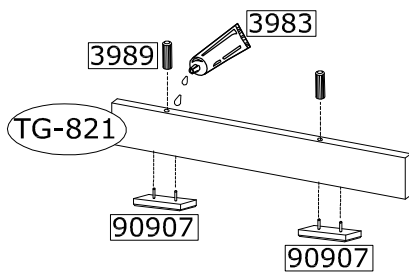
# 1

3989 x8	90907 x6	3983 x1		
------------	-------------	------------	--	--

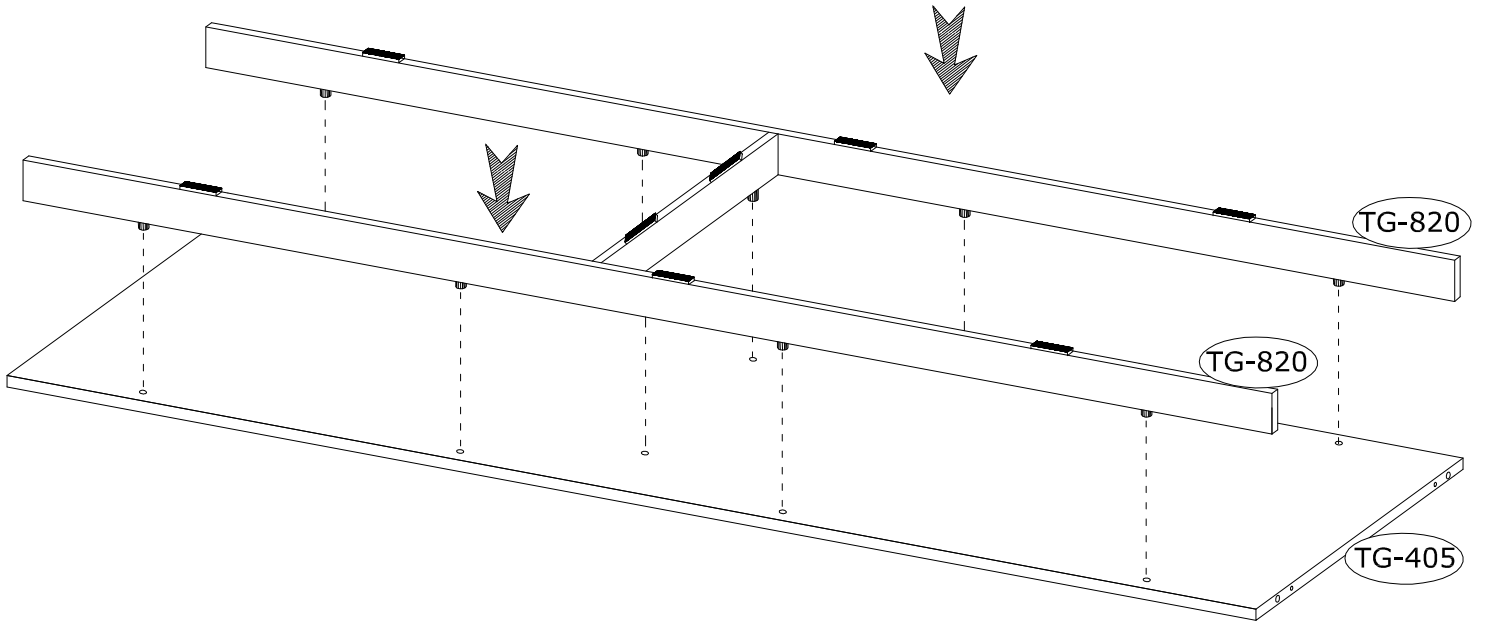


# 2

3989 x2	90907 x2	3983 x1		
------------	-------------	------------	--	---

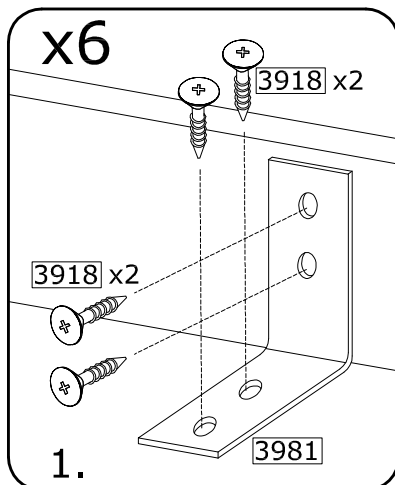
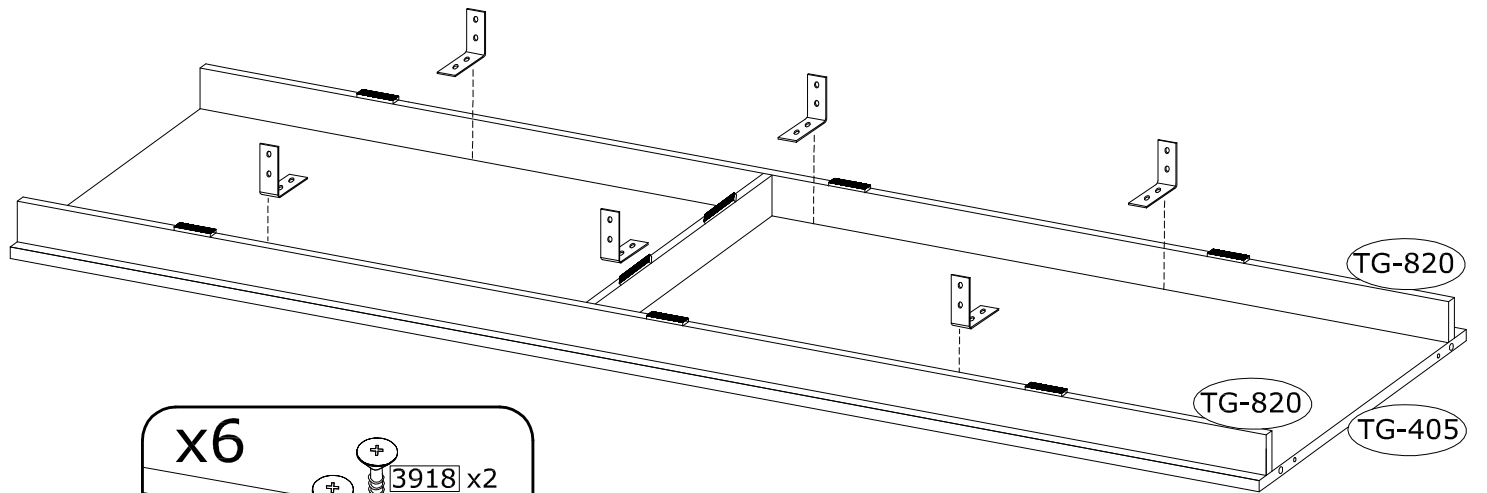


# 3



# 4

3981  x6	3918  x24		 PH2
---	--	--	--



# 5

3989

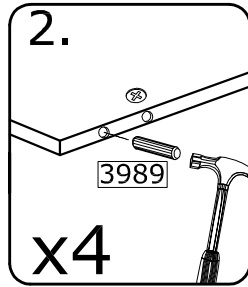
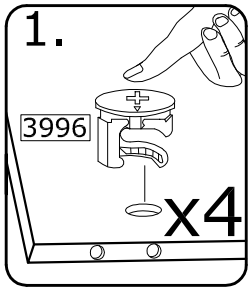
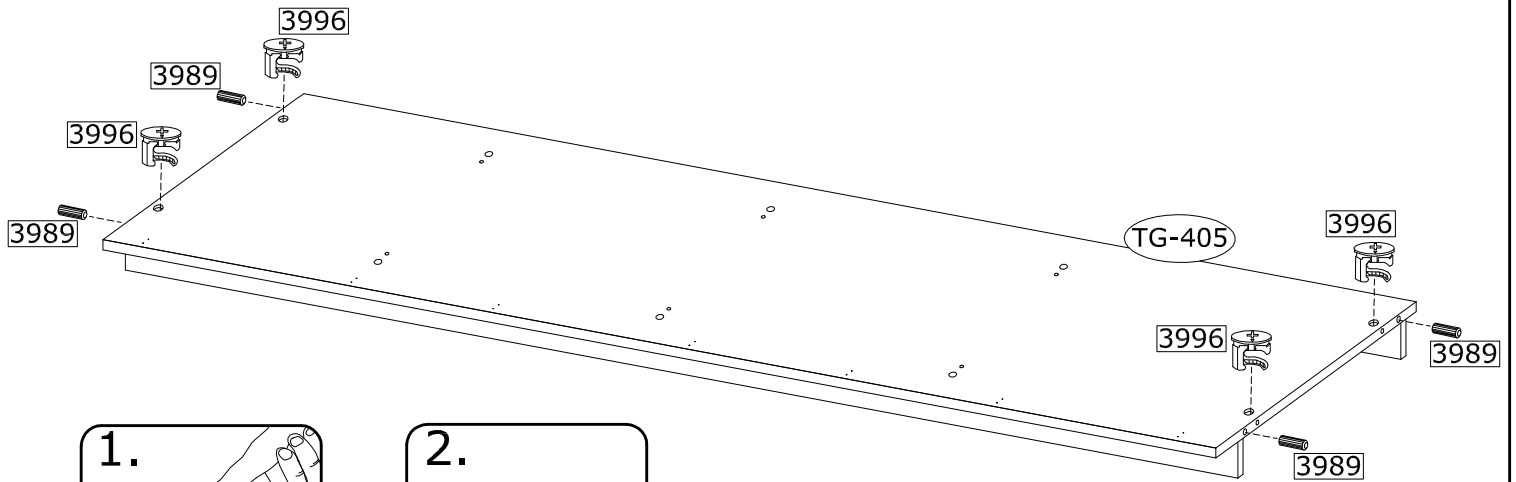


x4

3996



x4



# 6

4066



x6

85934

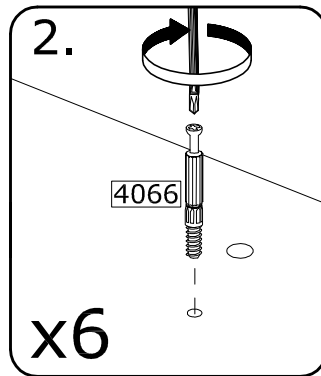
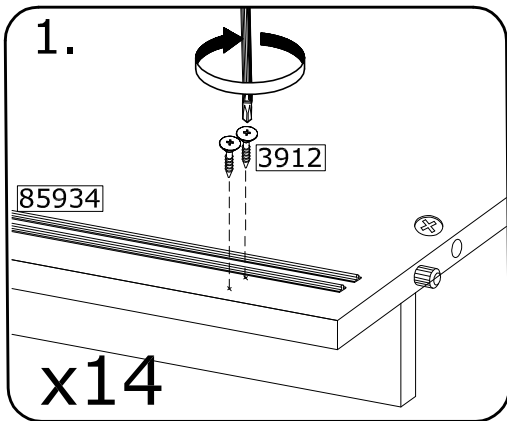
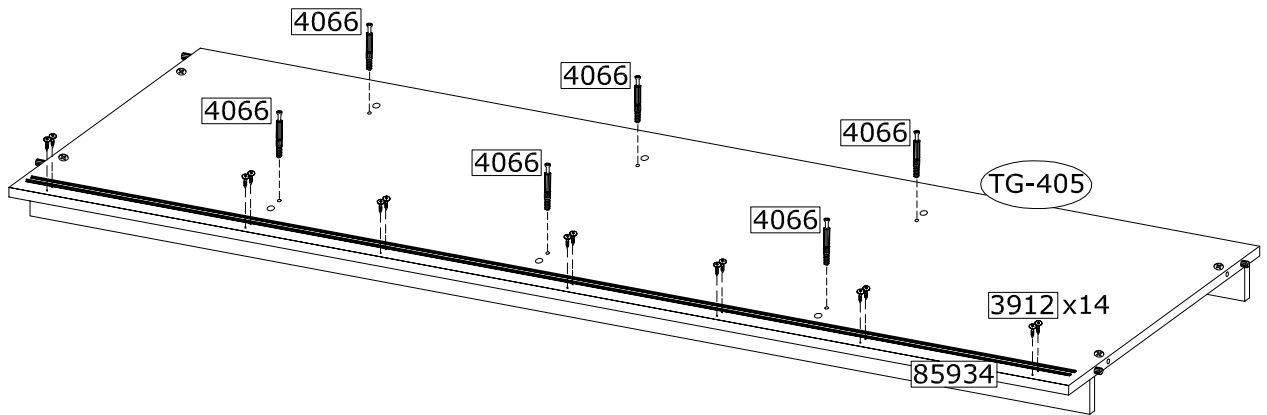
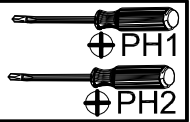


x2

3912



x14





# 7

3989

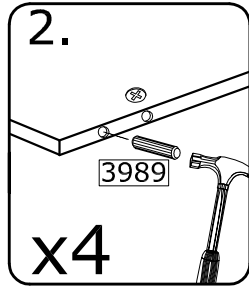
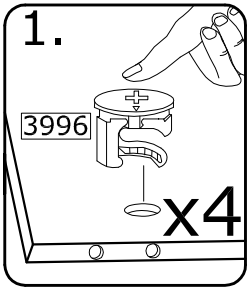
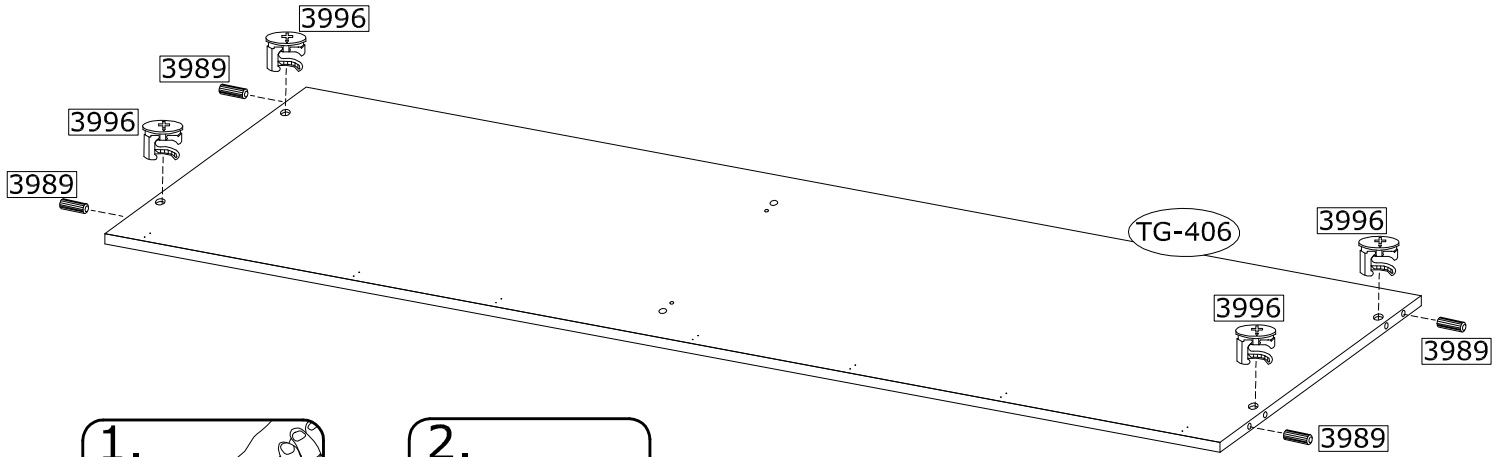


x4

3996



x4



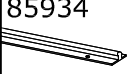
# 8

4066



x2

85934

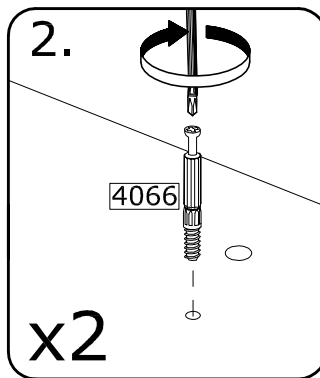
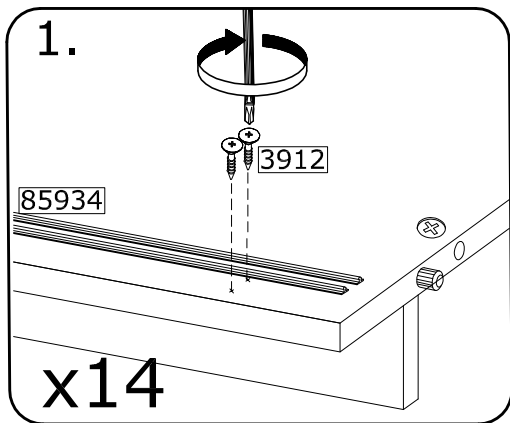
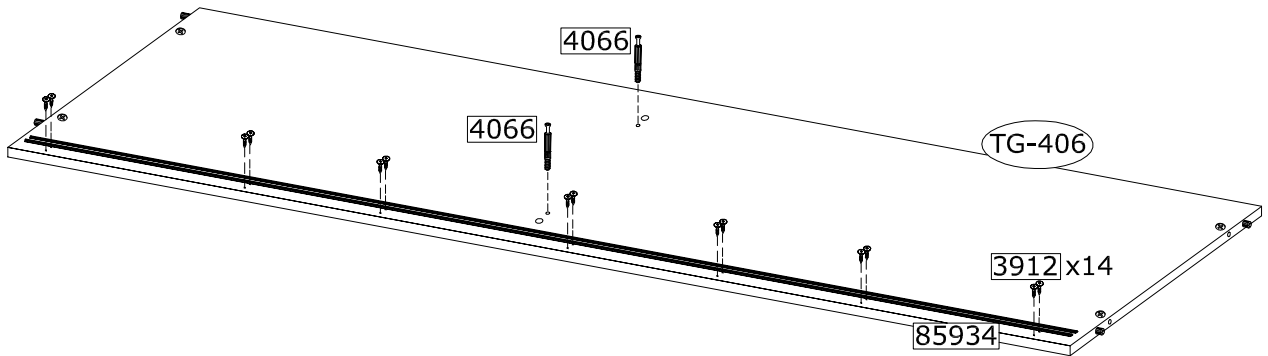
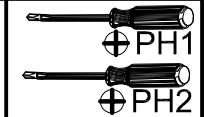


x2

3912



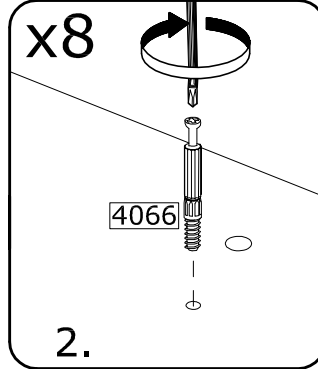
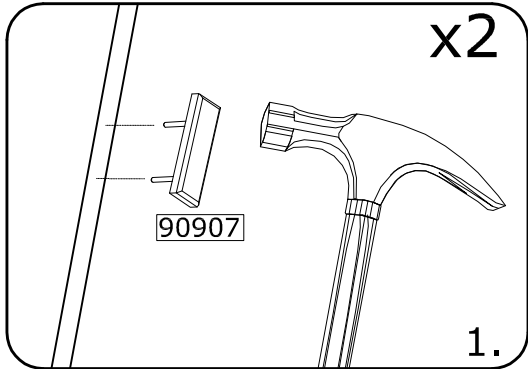
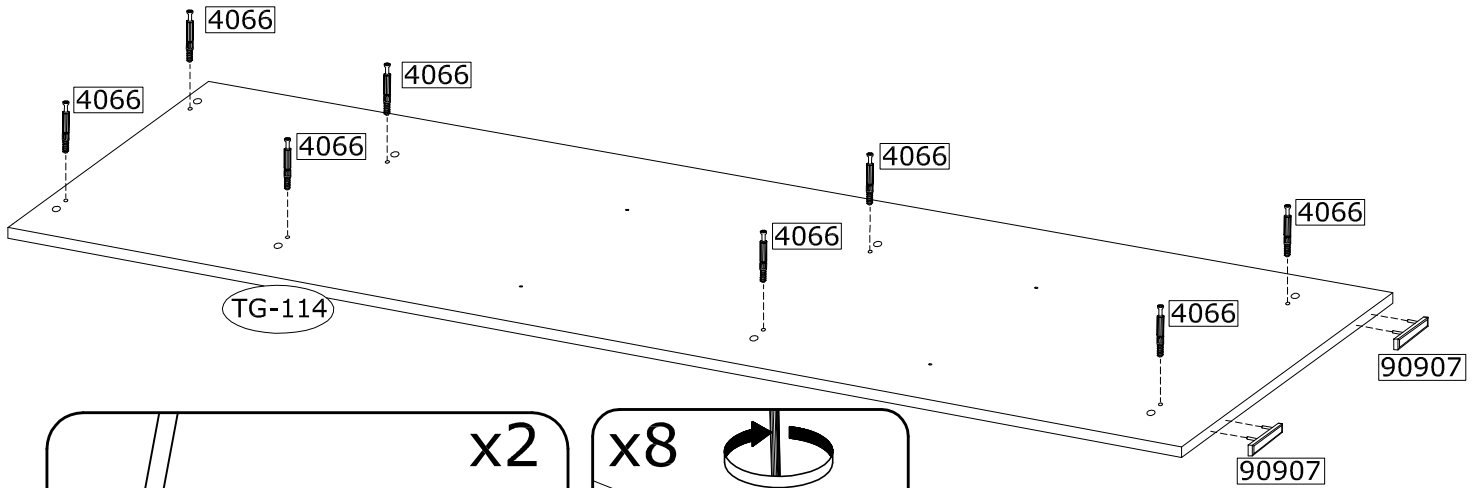
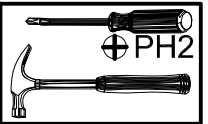
x14



# 9

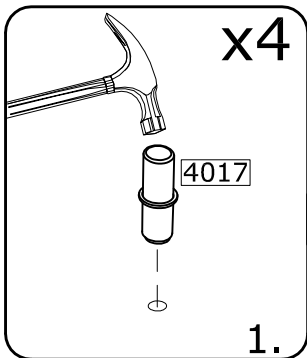
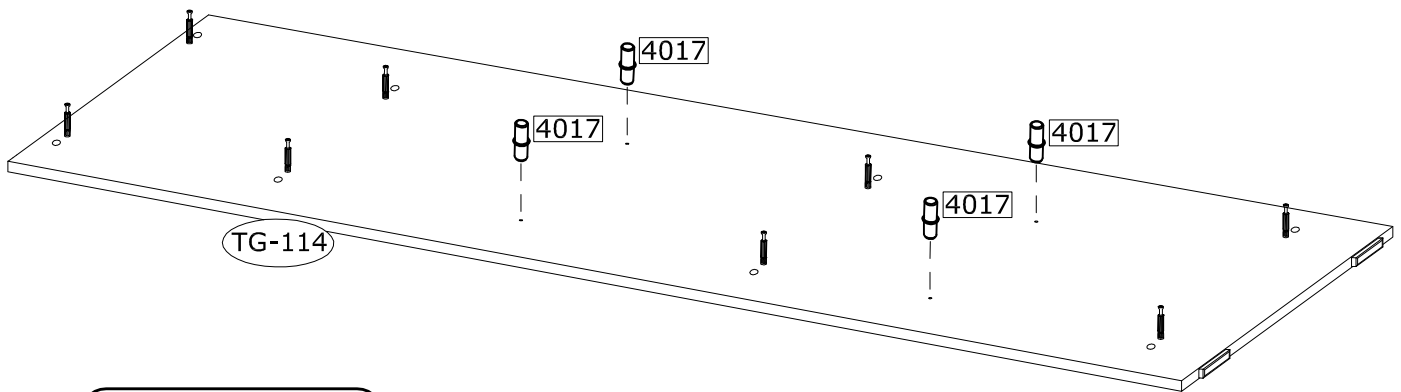
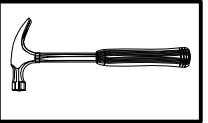
4066  
x8

90907  
x2

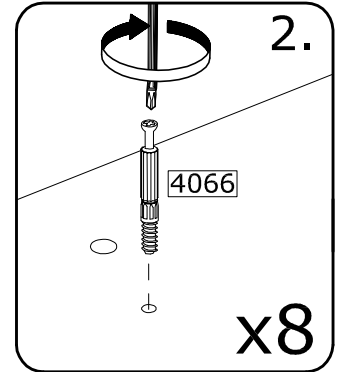
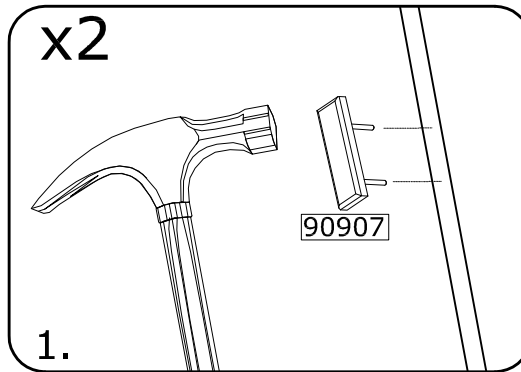
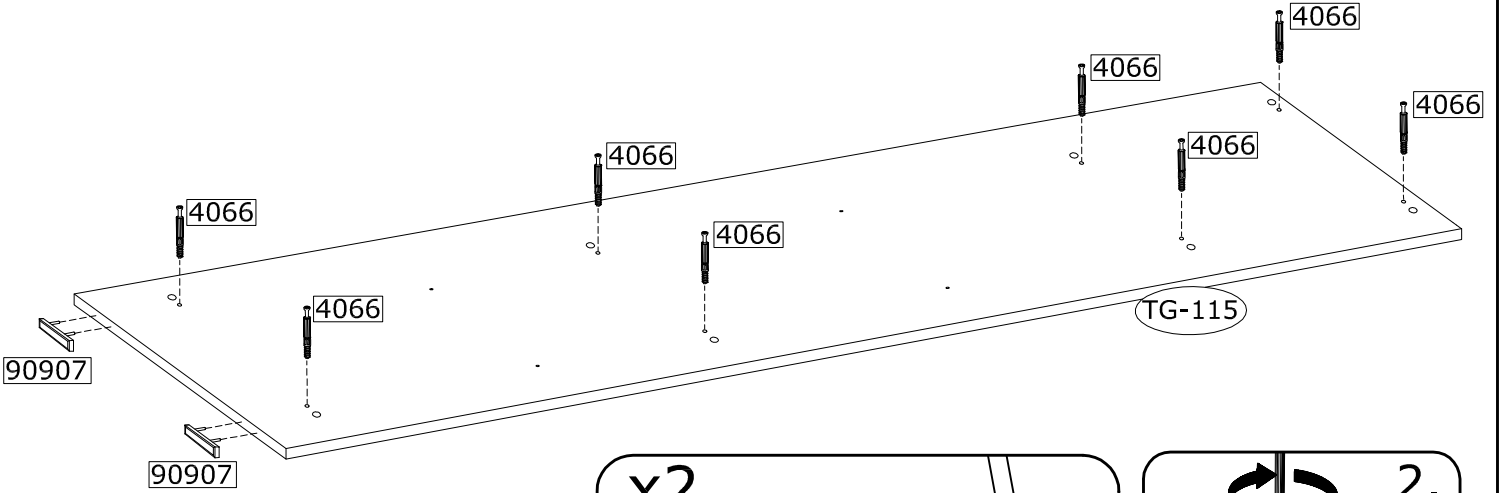
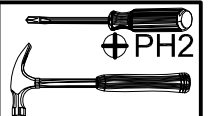
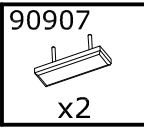
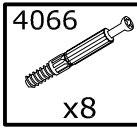


# 10

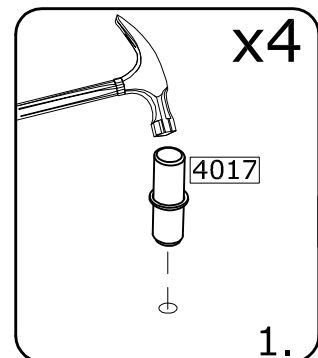
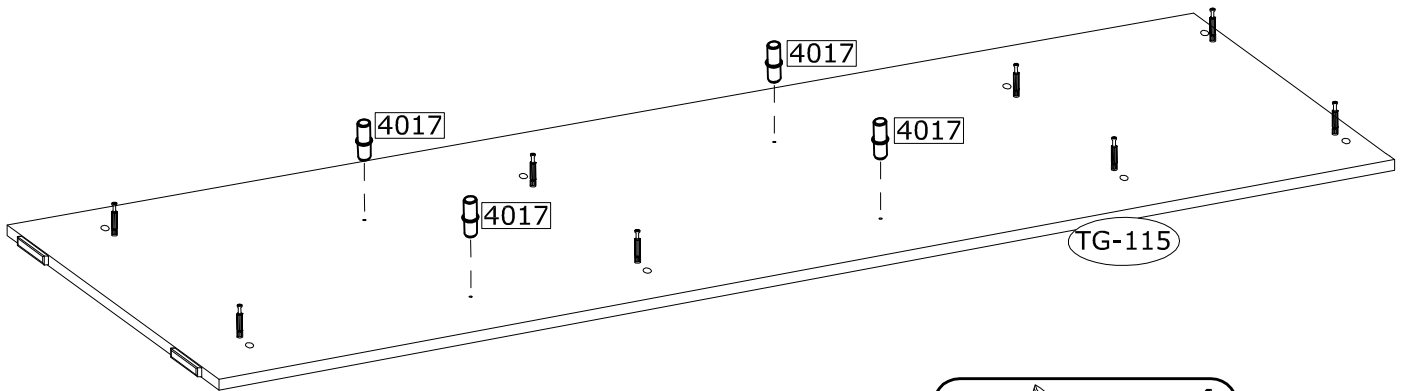
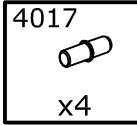
4017  
x4



# 11



# 12



# 13

3996



x4

3912

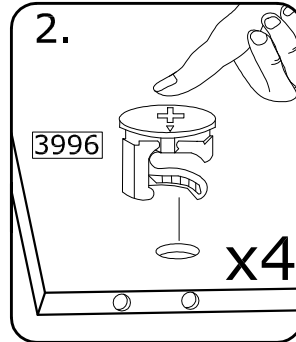
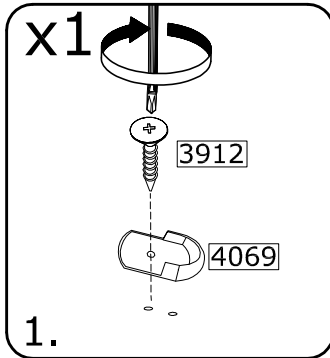
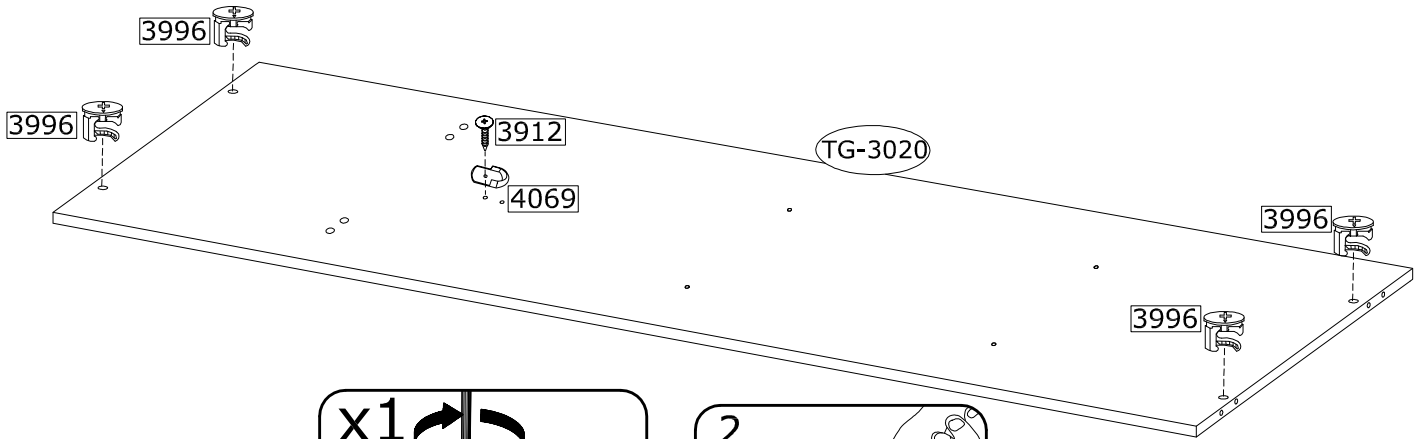


x1

4069



x1



# 14

3912



x1

4069

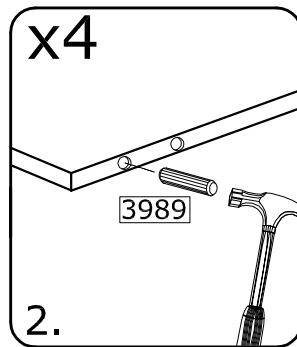
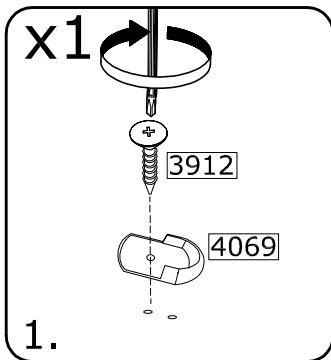
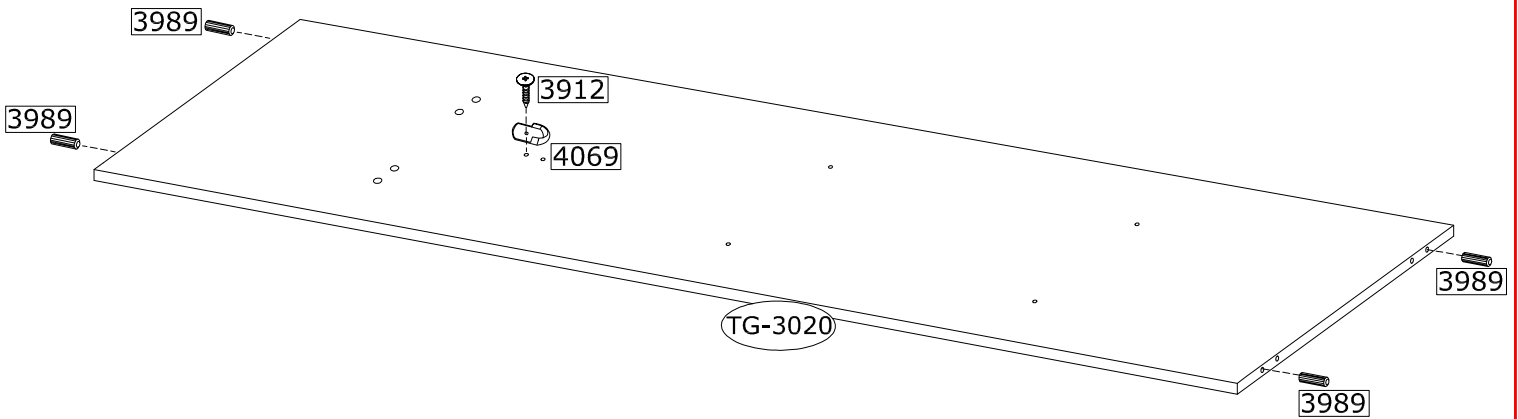


x1

3989



x4



# 15

3996



x4

3989

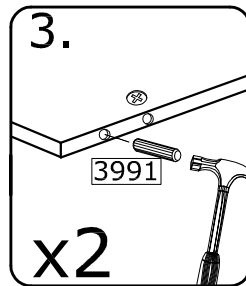
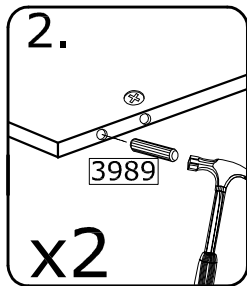
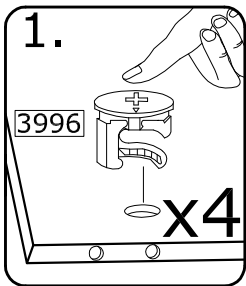
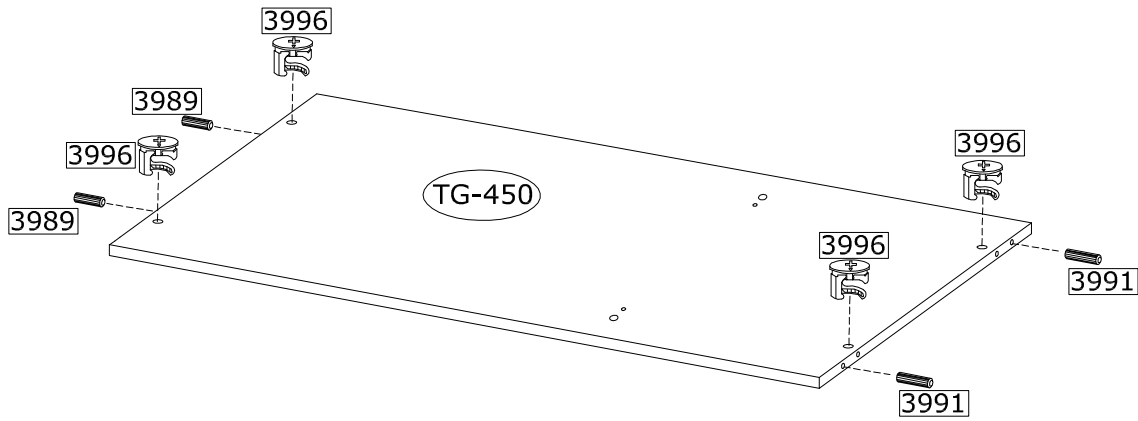


x2

3991



x2

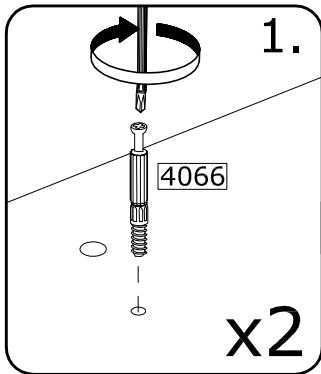
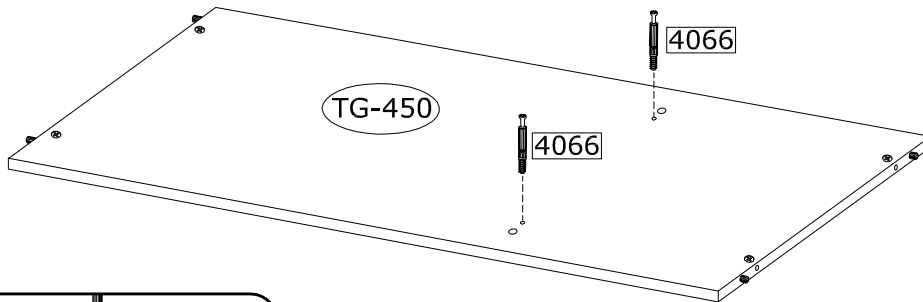


# 16

4066



x2



# 17

3996

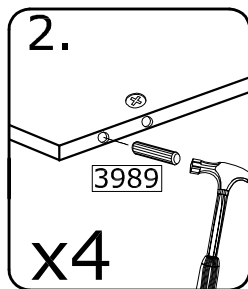
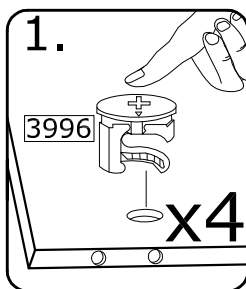
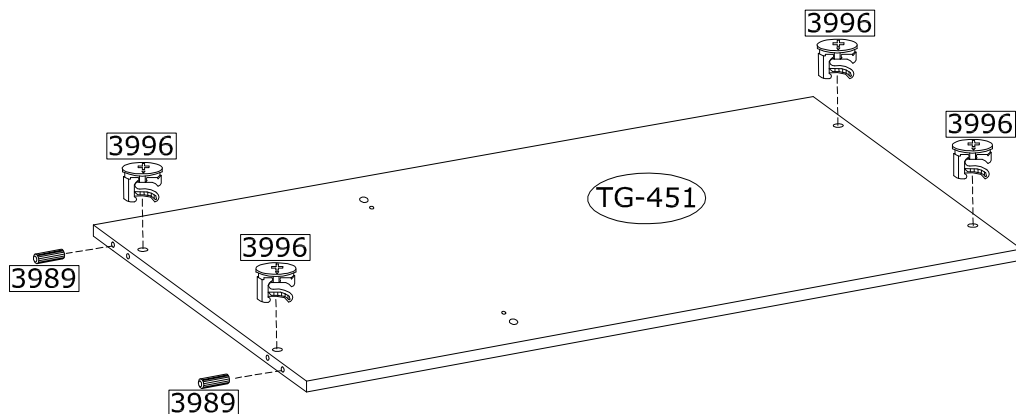


x4

3989



x2

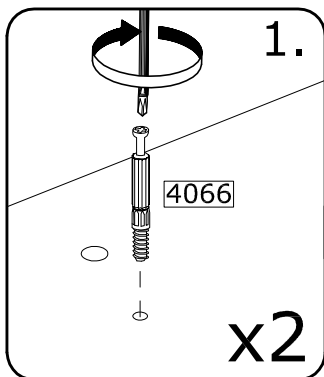
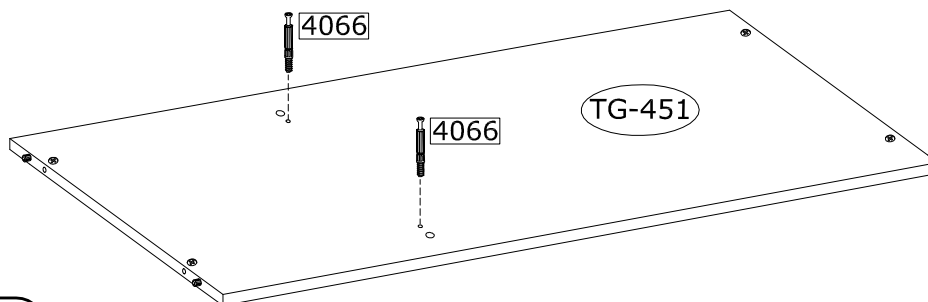


# 18

4066



x2



# 19

3989

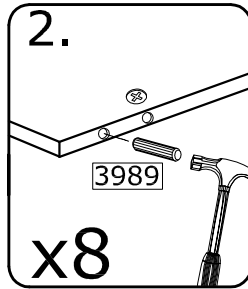
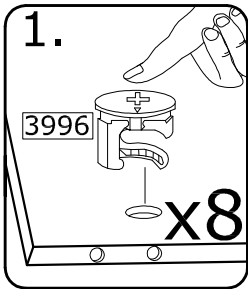
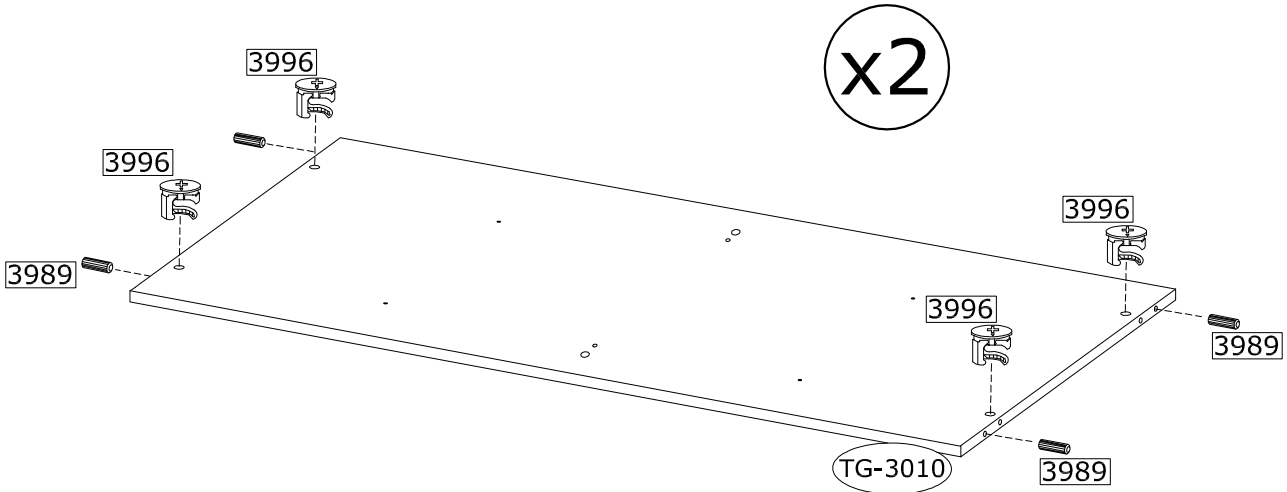


x8

3996



x8



# 20

4066

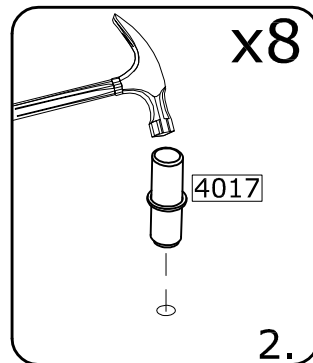
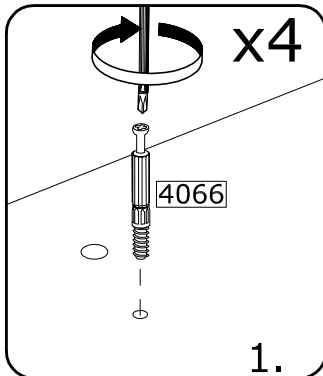
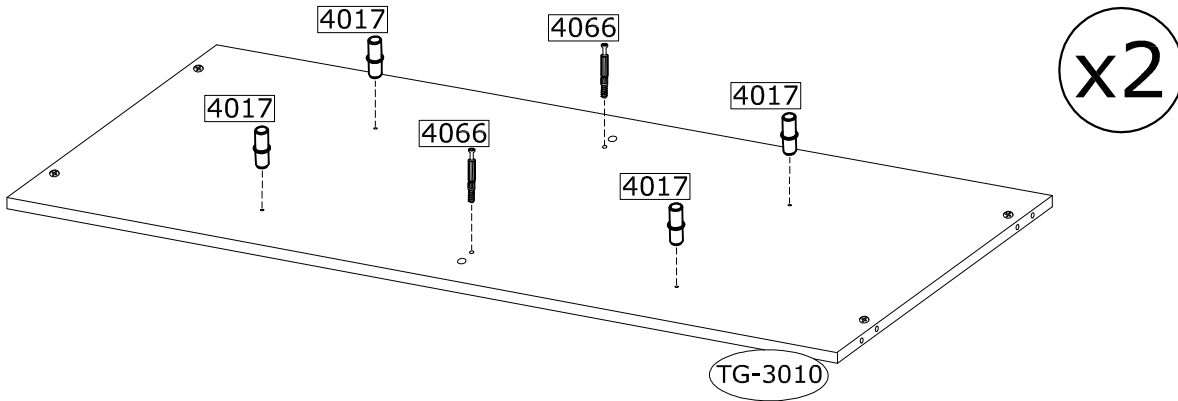
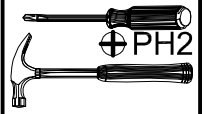


x4

4017



x8



# 21

3912



x2

4069

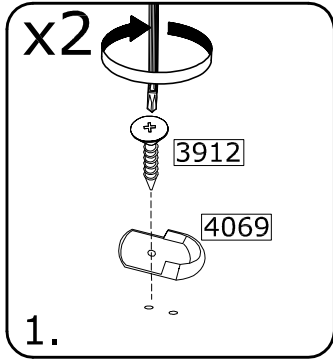
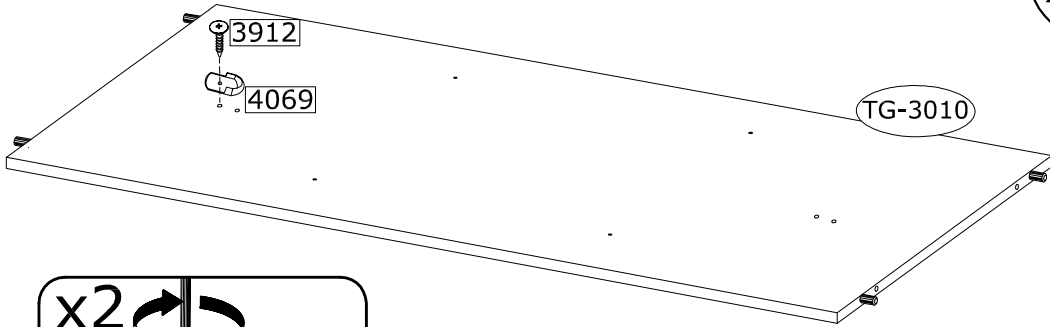


x2



PH1

x2



# 22

3989



x8

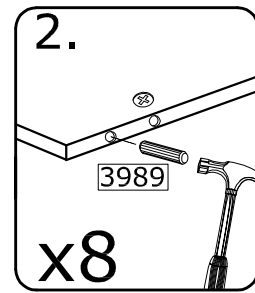
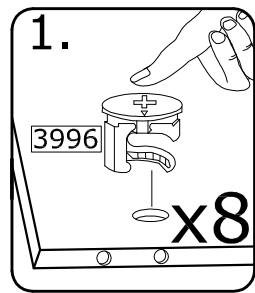
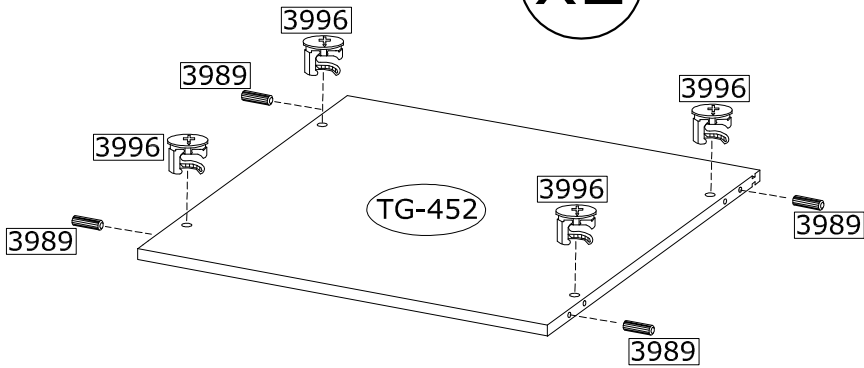
3996



x8



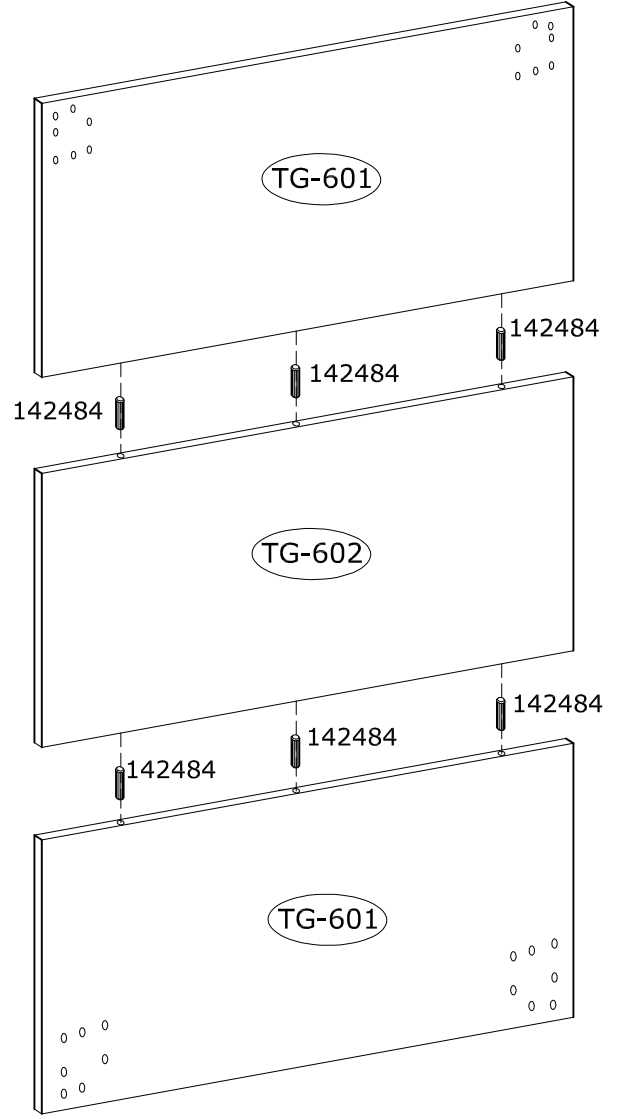
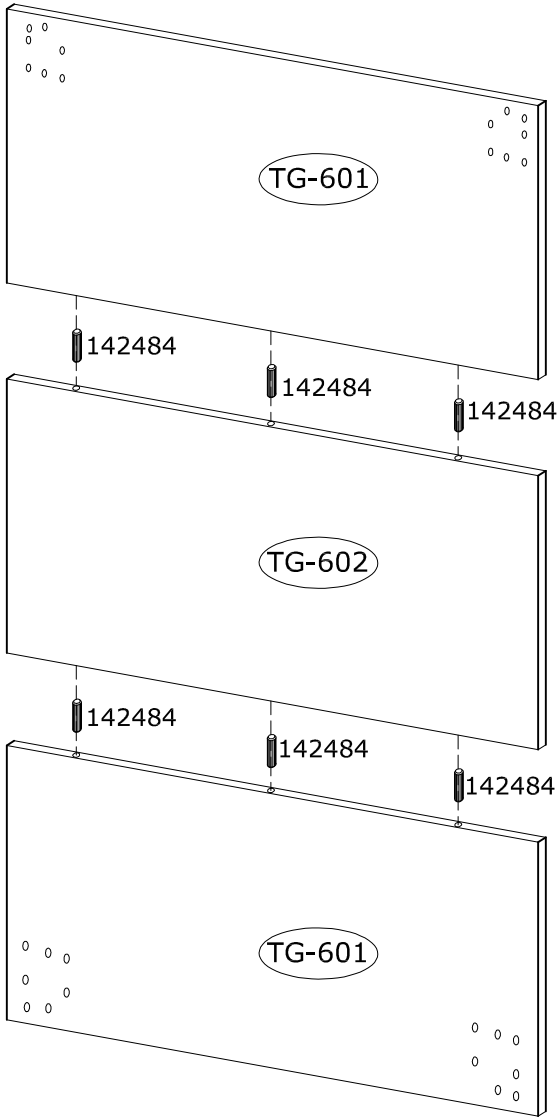
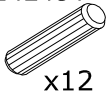
x2





# 23

142484  
x12



# 24

3918



x76

71929



x12

85570



x3

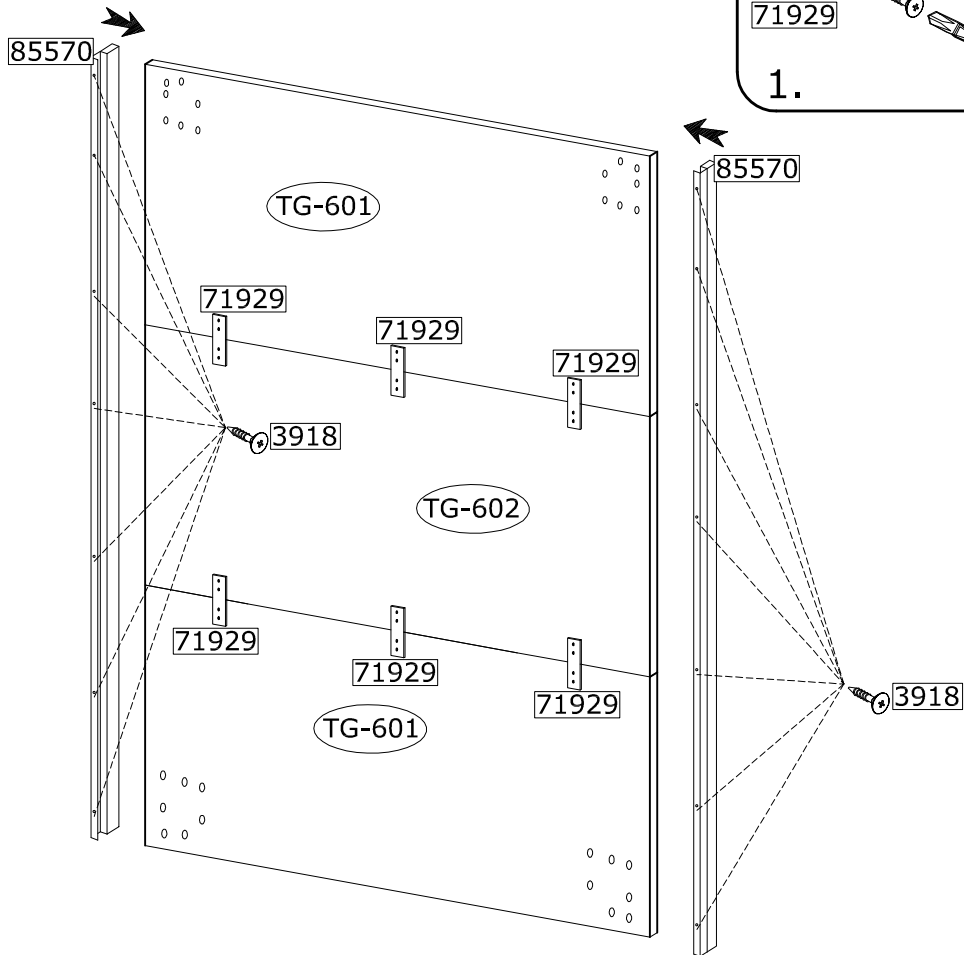
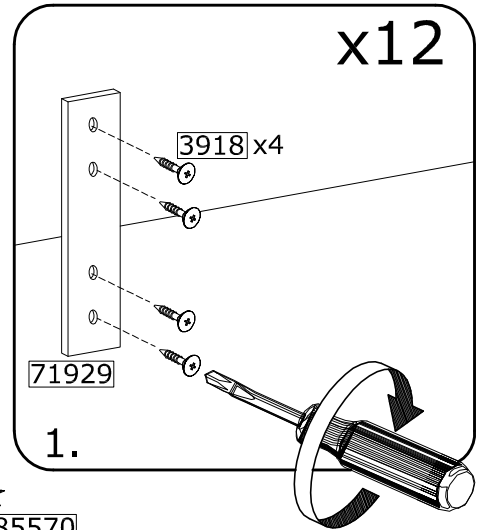
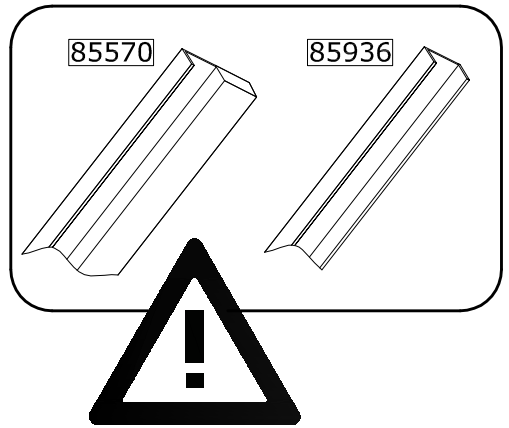
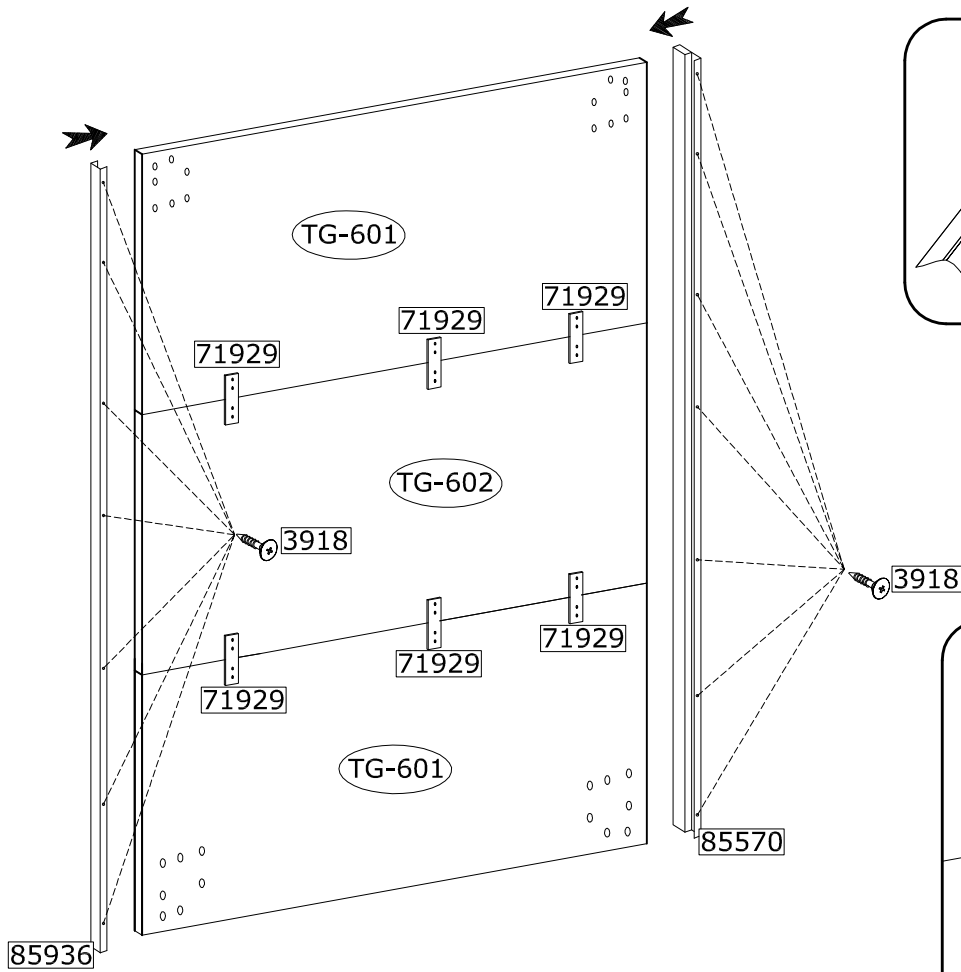
85936



x1



PH2



# 25

IN01006



x2

3923



x8

3879

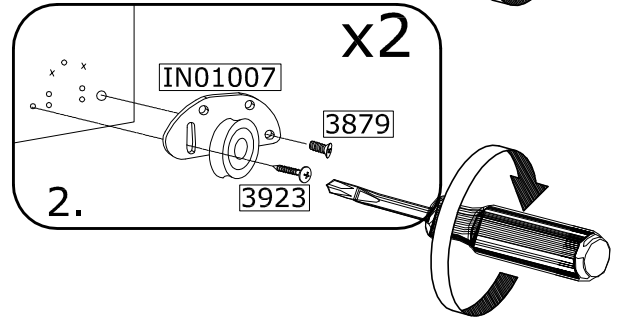
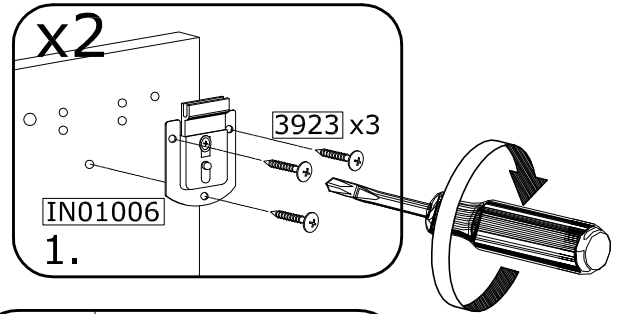
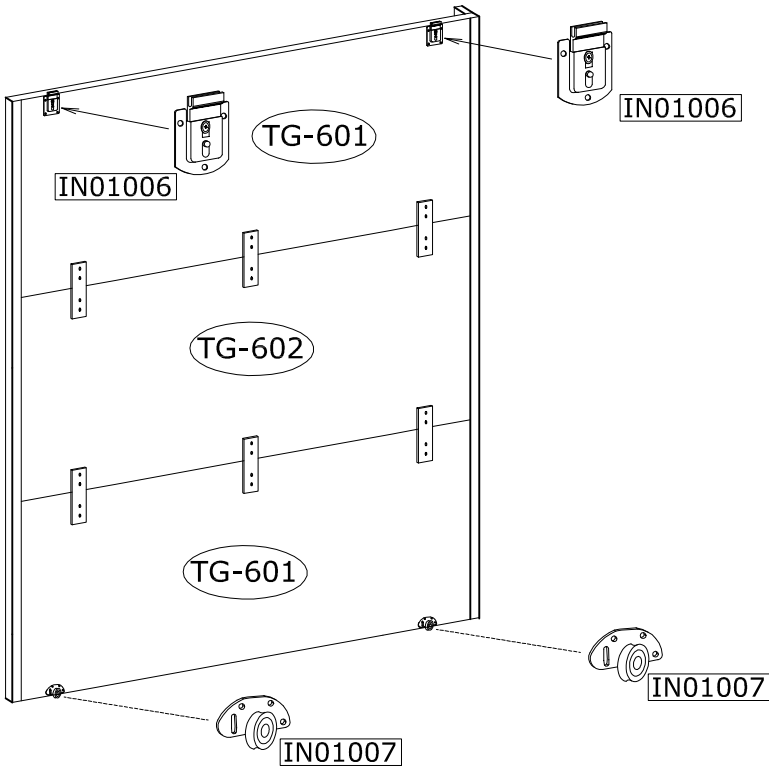


x2

IN01007



x2



# 26

IN01006



x2

3923



x10

3879



x2

IN01007

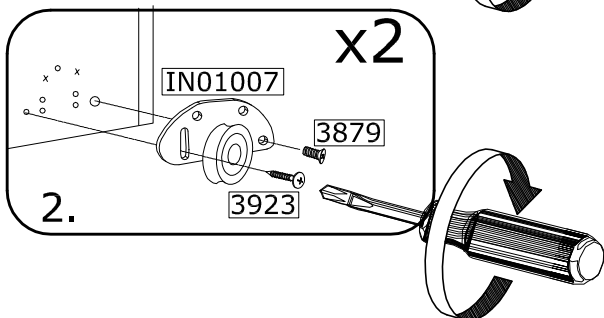
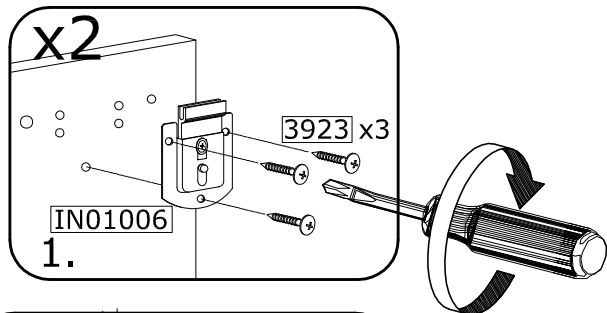
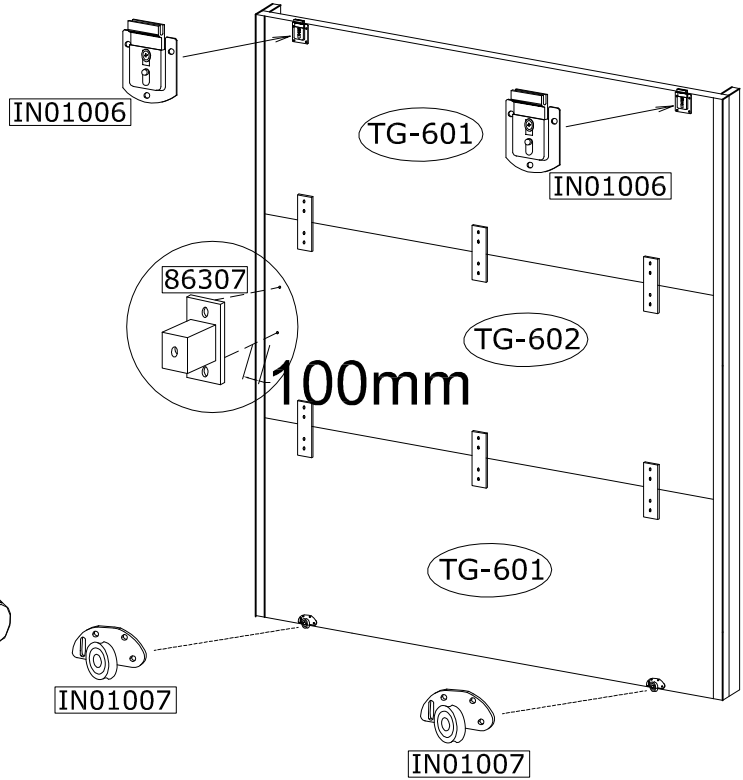
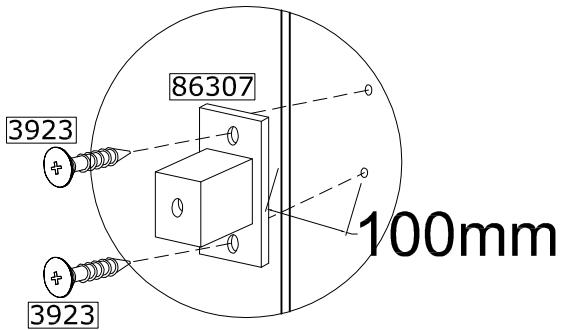


x2

86307

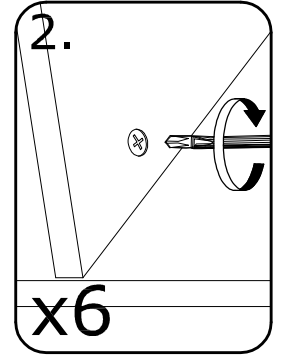
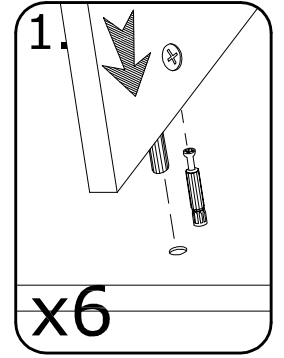
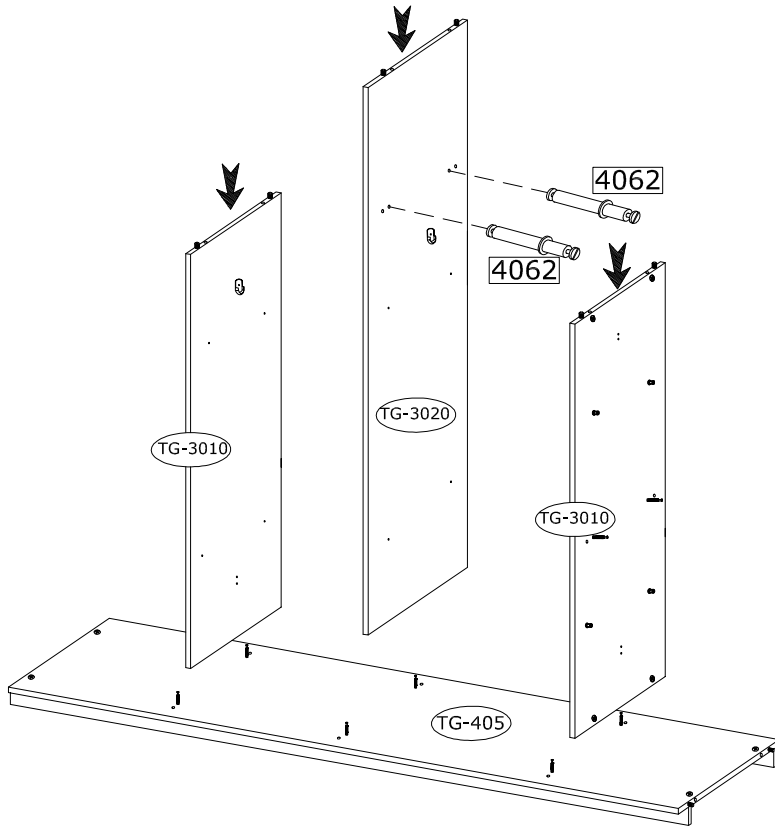


x1

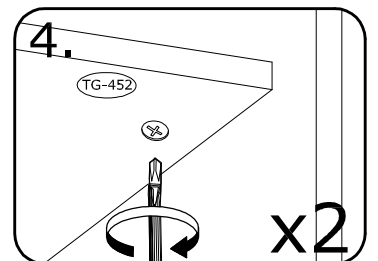
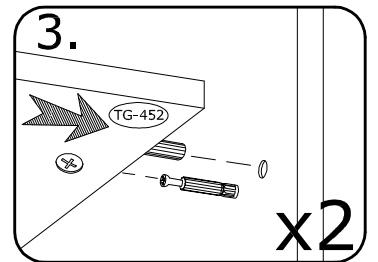
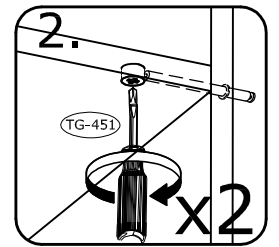
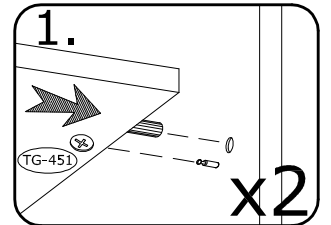
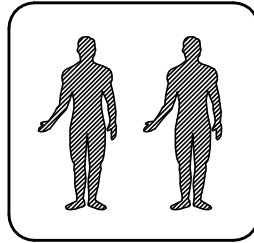
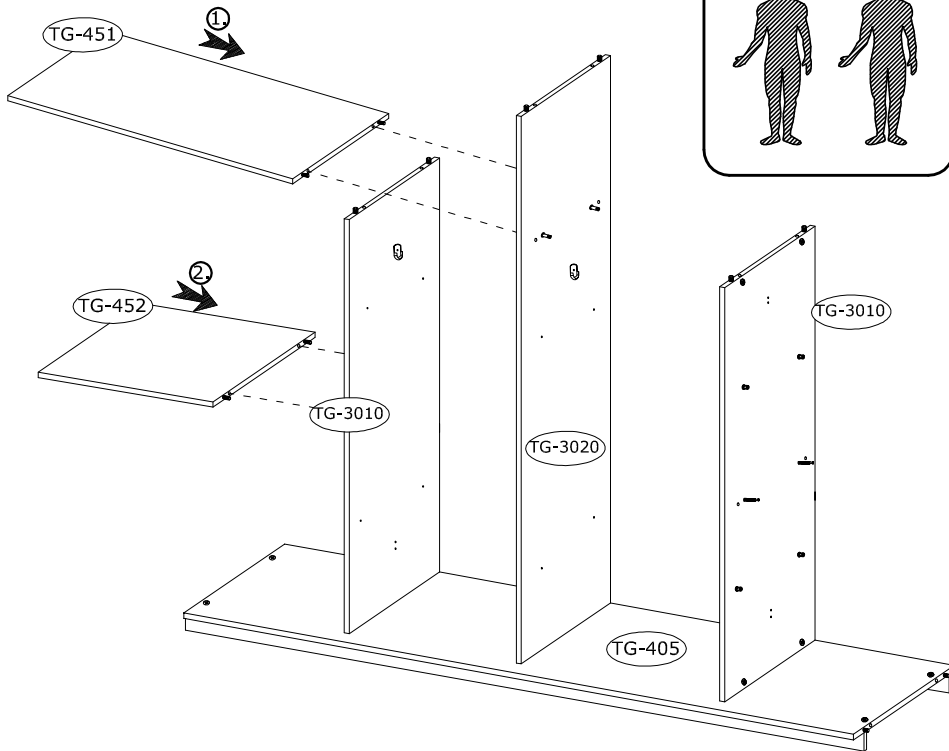


# 27

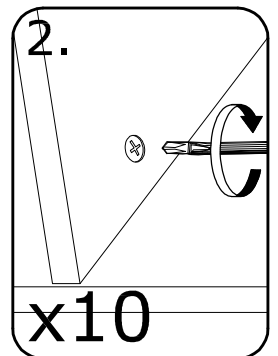
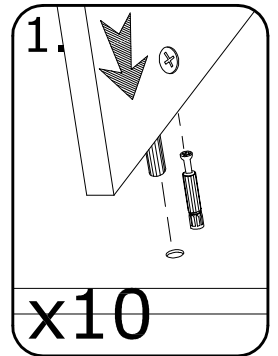
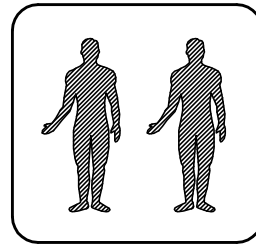
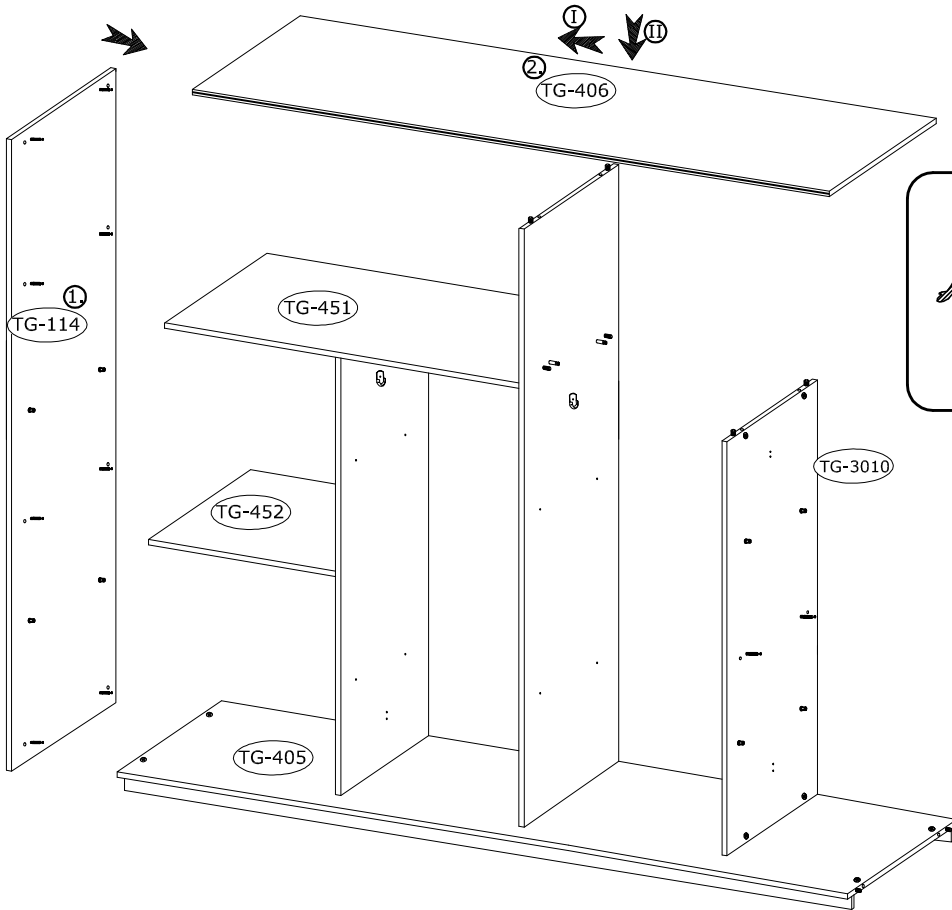
4062  
x2



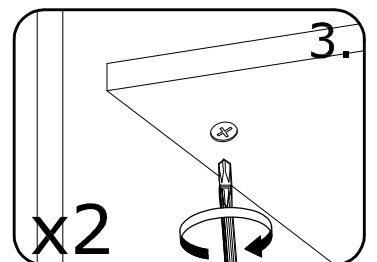
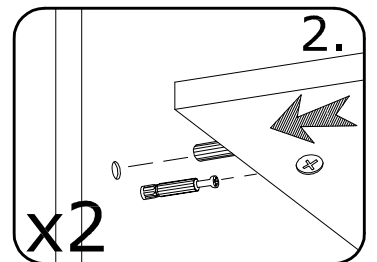
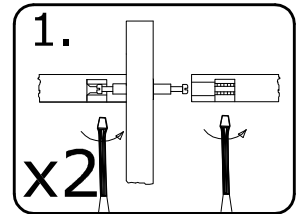
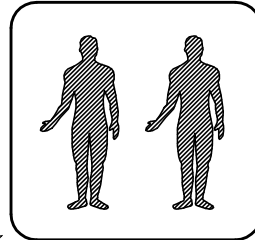
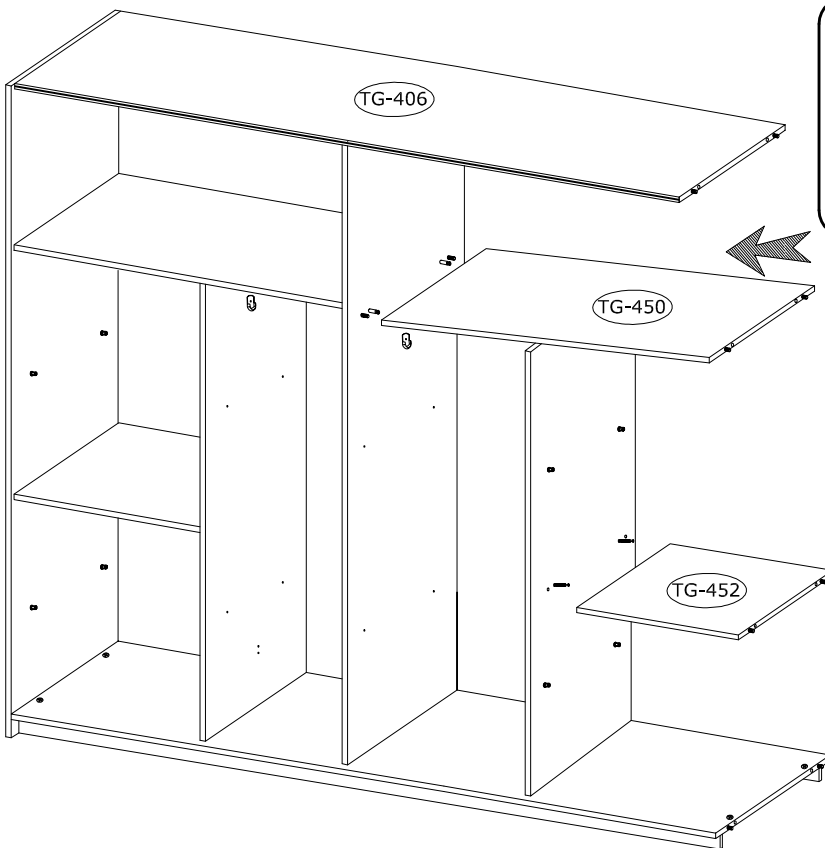
# 28



# 29



# 30

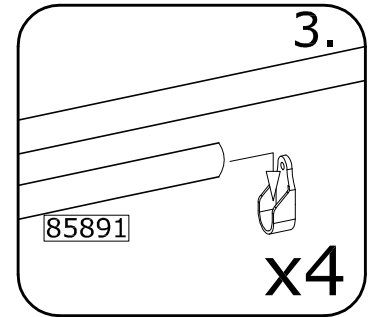
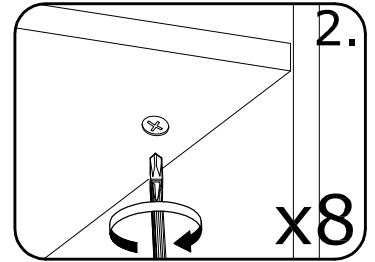
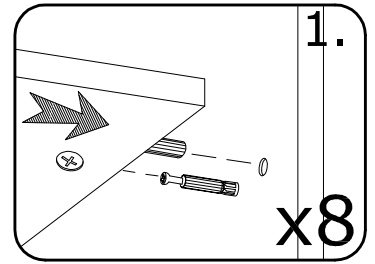
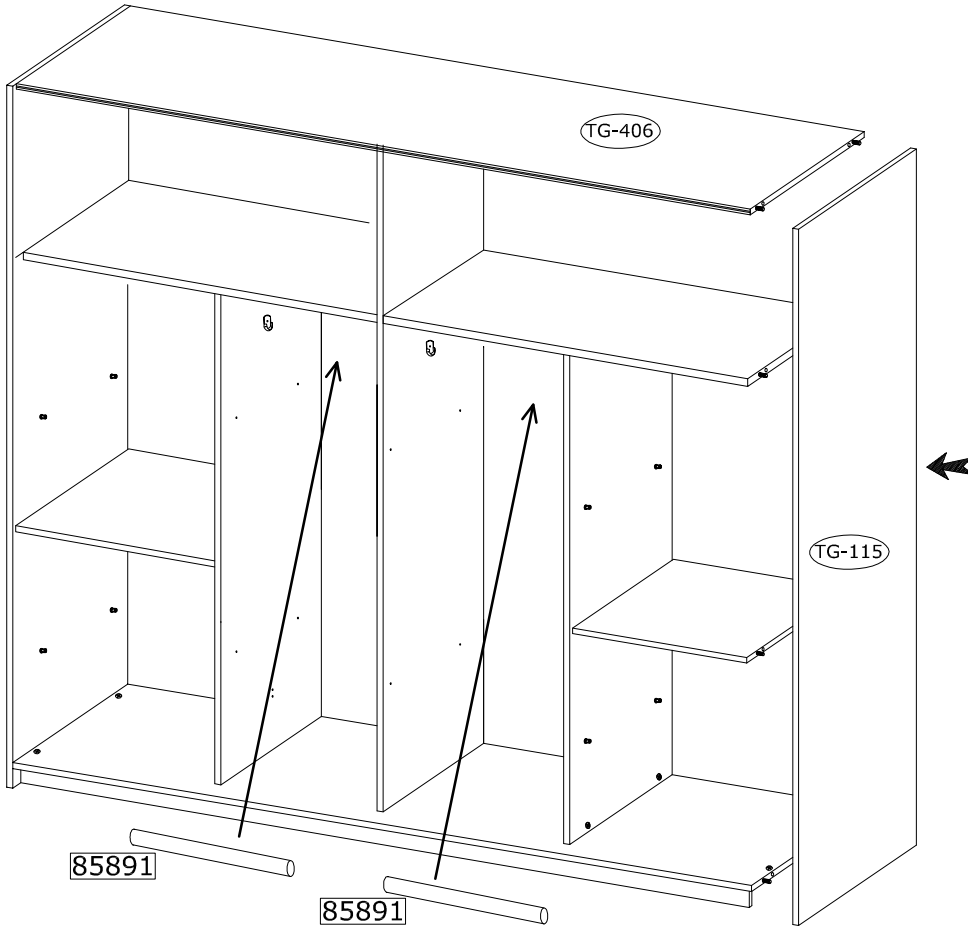


# 31

85891



x2



# 32

3975

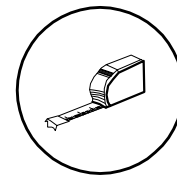
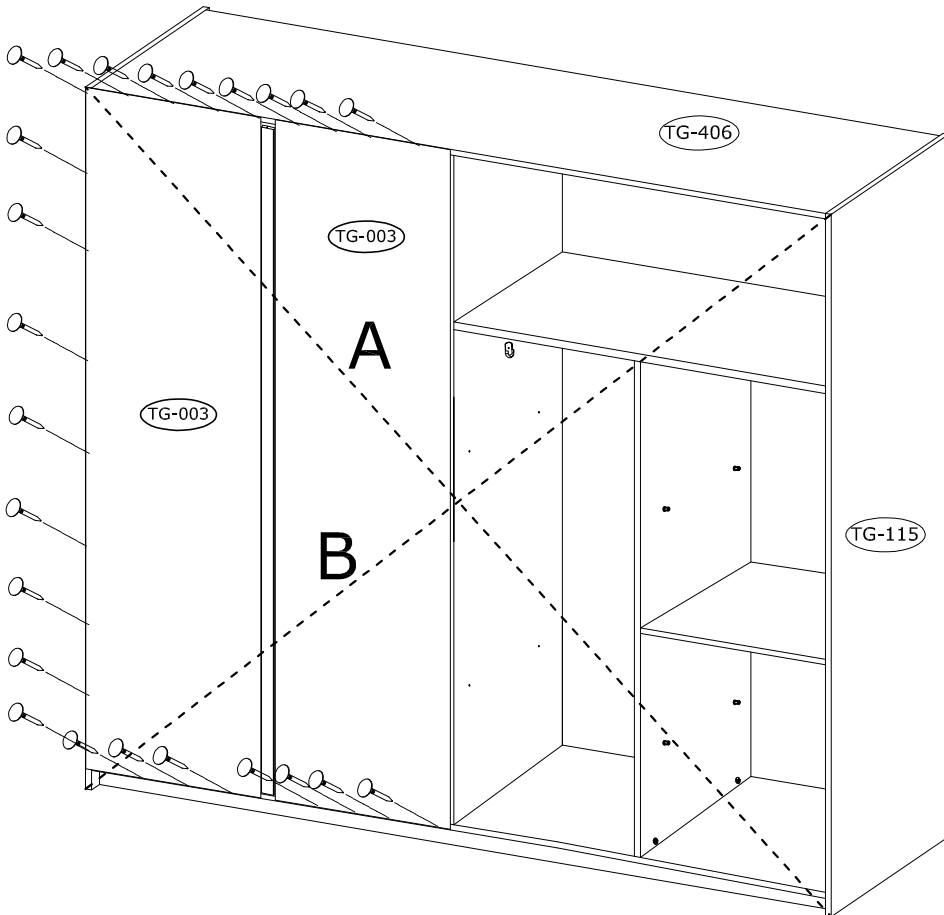
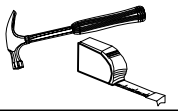


x34

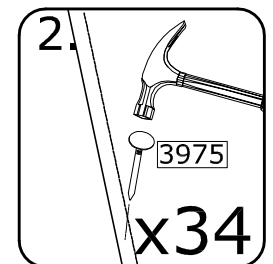
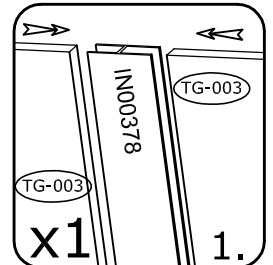
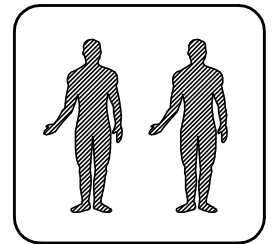
IN00378



x1



A=B



# 33

3975

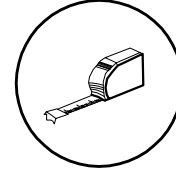
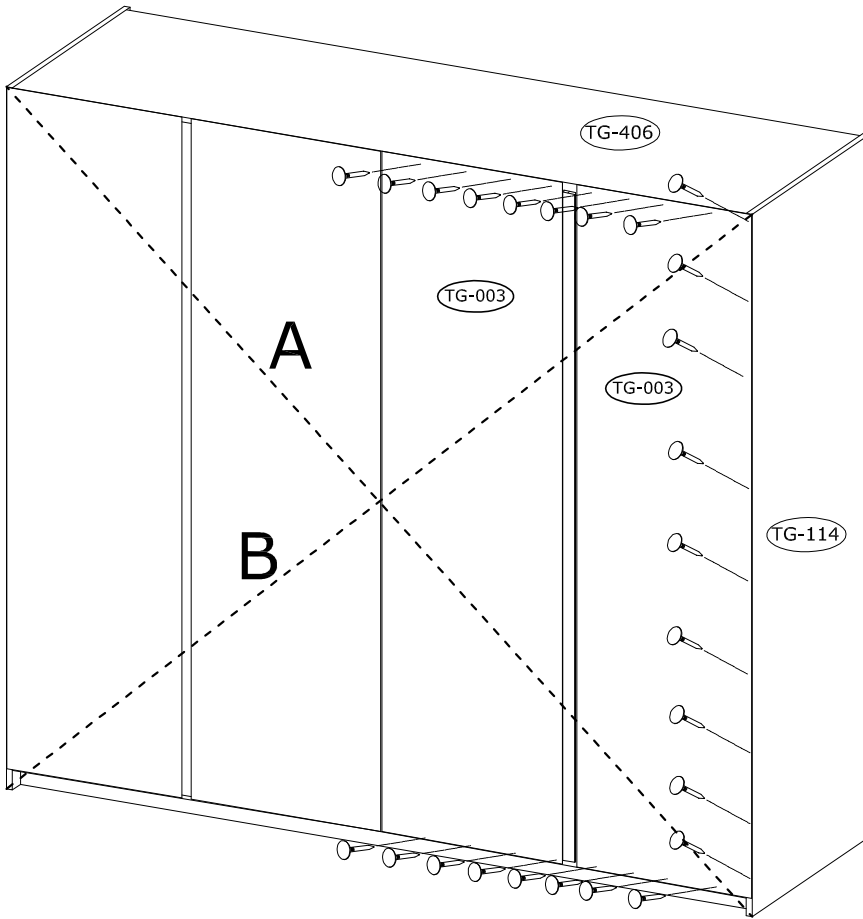
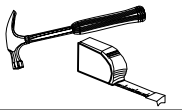


x34

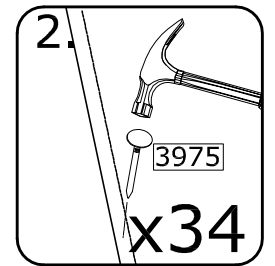
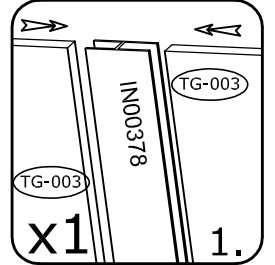
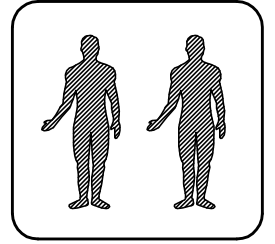
IN00378



x1



A=B



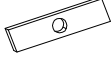
# 34

3975



x12

77793

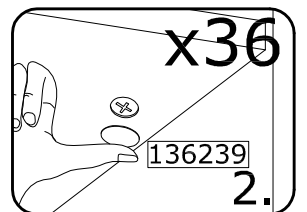
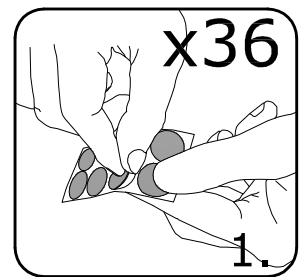
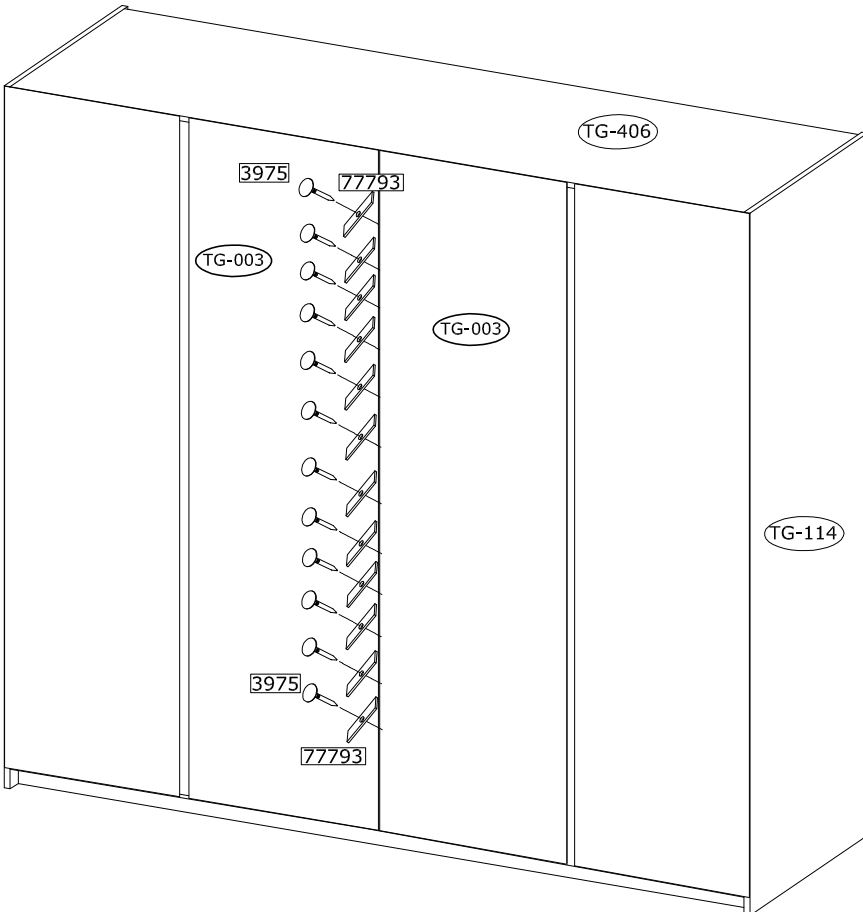


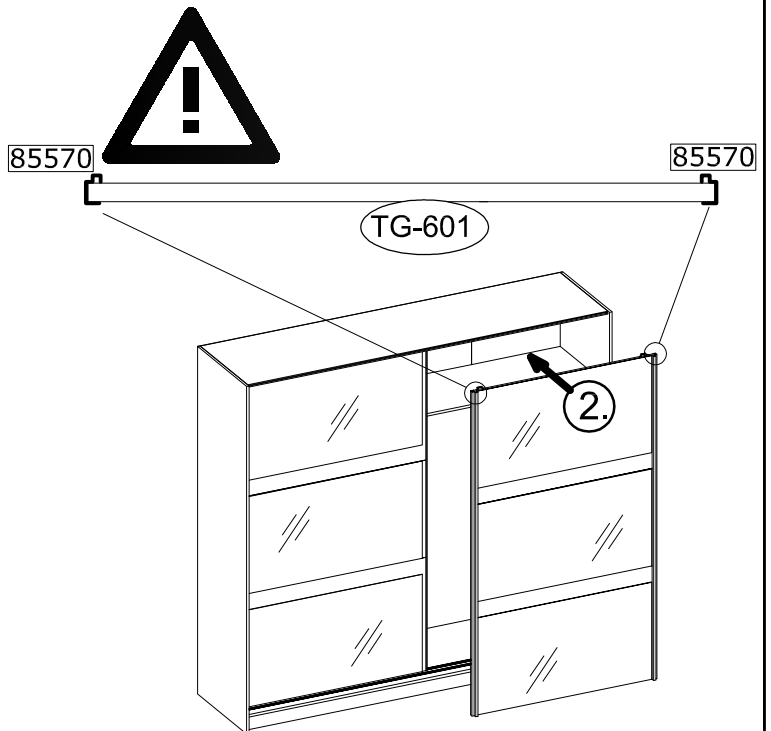
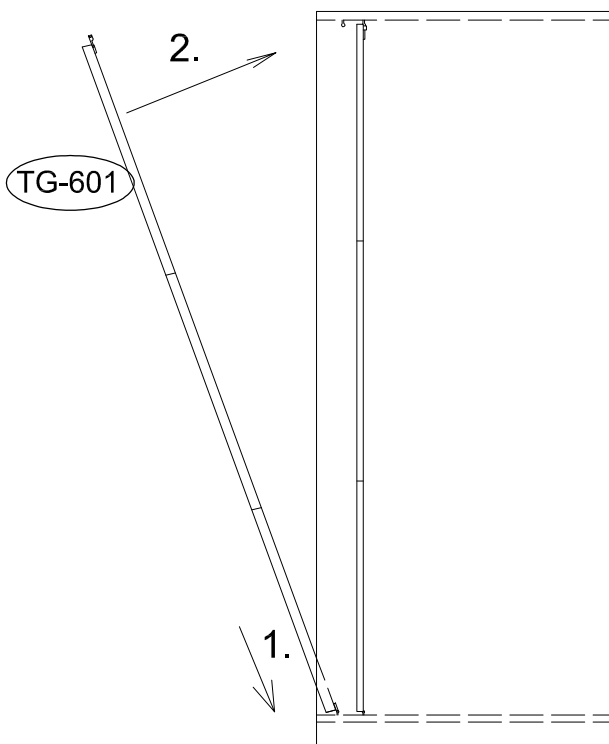
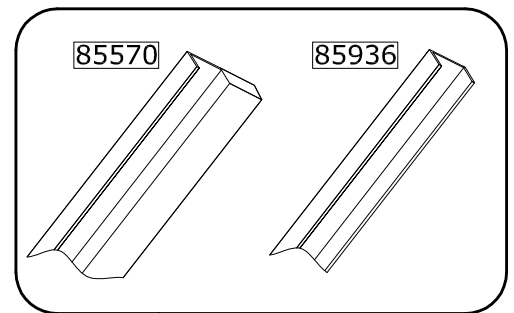
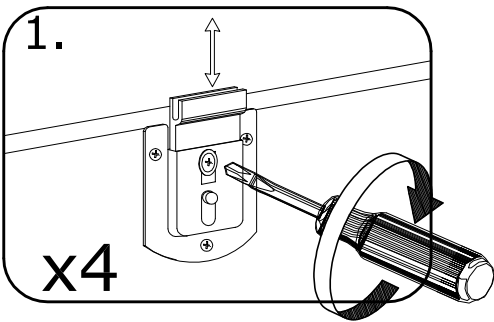
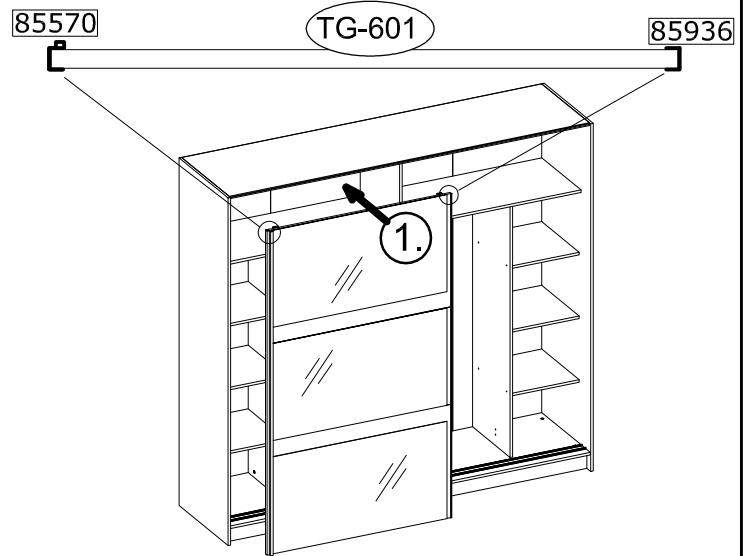
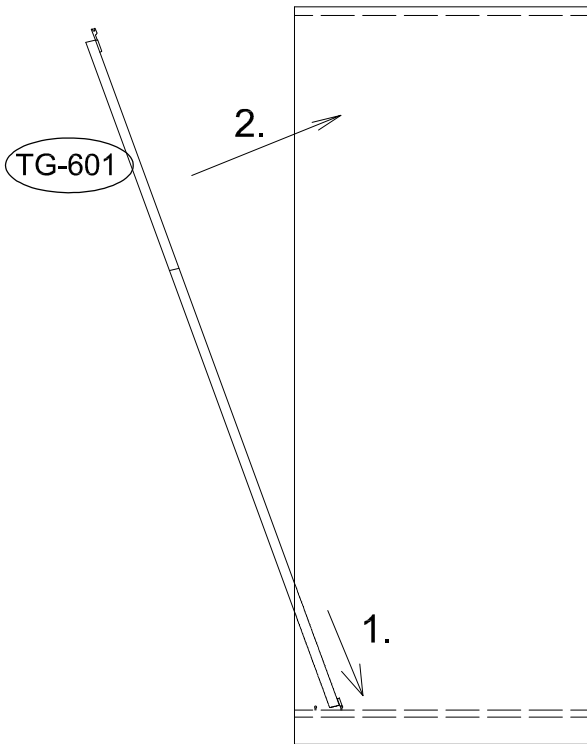
x12

136239



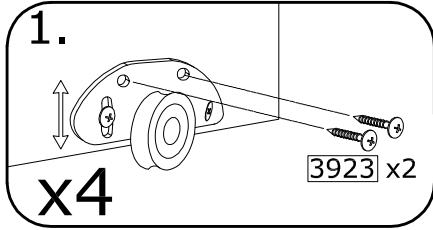
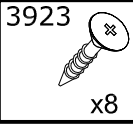
x36







# 36

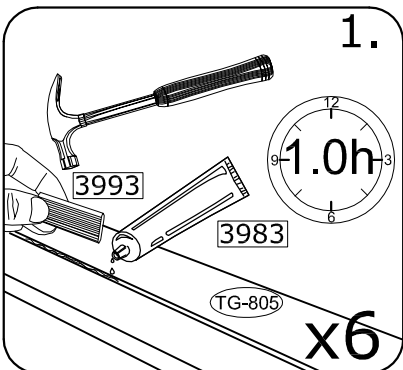
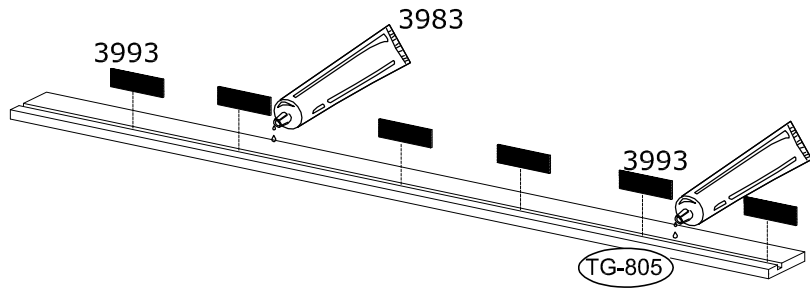
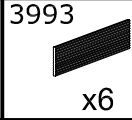
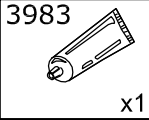


TG-601

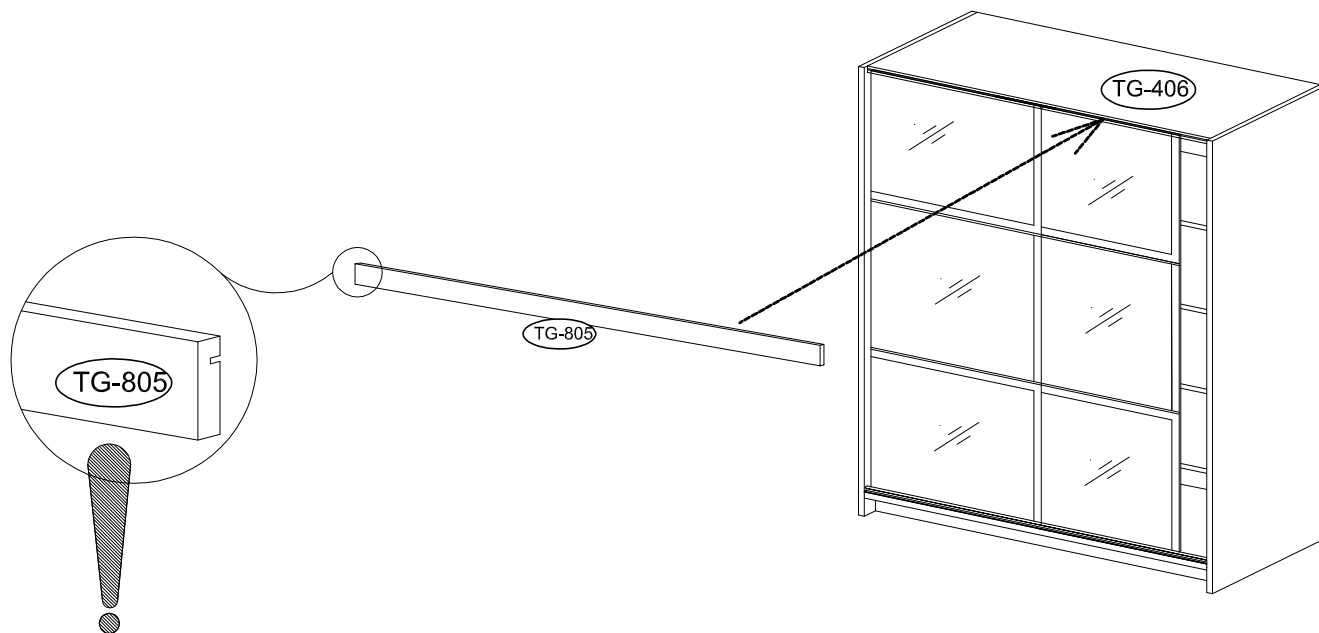
TG-601



# 37



# 38



# 39

71900



x2

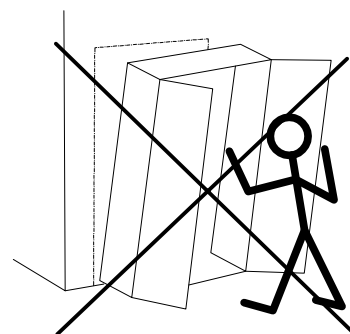
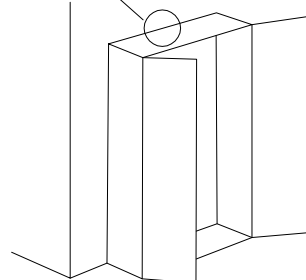
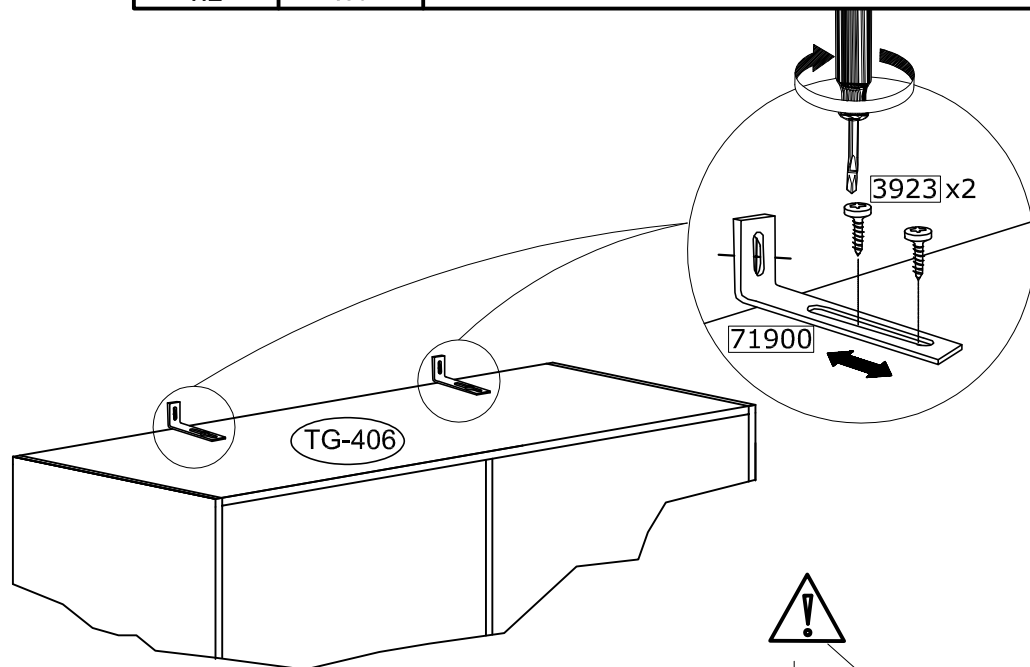
3923



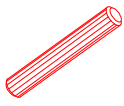
x4



⊕ PH2

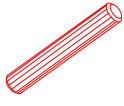


142484



Ø6x35 mm x12

3987



Ø5x35 mm x12

