

4066 x32

Ø6,5x36,5 mm

3989 x24

Ø8x30 mm

IN01157 x16

Ø12x42 mm

3996 x32

Ø15x12 mm

136236 x32

Ø15 mm

4017 x8

Ø5x16 mm

4044 x18

15x14x11 mm

3918 x60

Ø3,5x16 mm

3892 x10

Ø4,0x25 mm

3925 x6

Ø4,0x25 mm

3902 x8

M4,0x25,0 mm

3912 x4

Ø3,0x13 mm

3889 x12

Ø3,5x20 mm

136239 x6

Ø20 mm

71900 x2

75x15x32 mm

IN00445 x5

60x40x20 mm

IN01640 x4

Ø35 mm , KR0

IN01232 x4

L= 350 mm

59150 x4

120x12x20 mm

IN01003 x2

IN00378 x1

L-1265 mm

IN01640

I

IN01640

II

IN01640(1) IN01640(2)

III

1.

4066



x8

IN00445

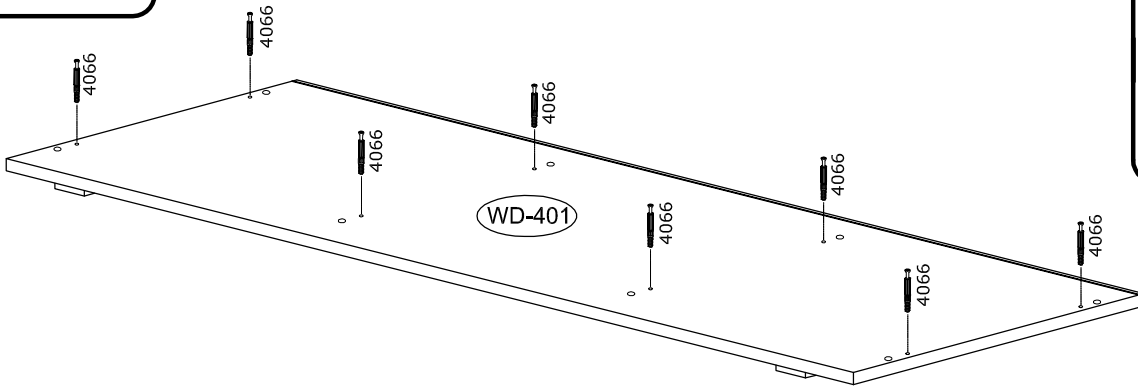
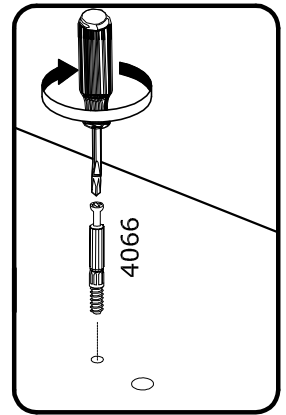
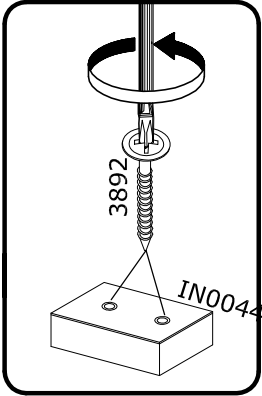
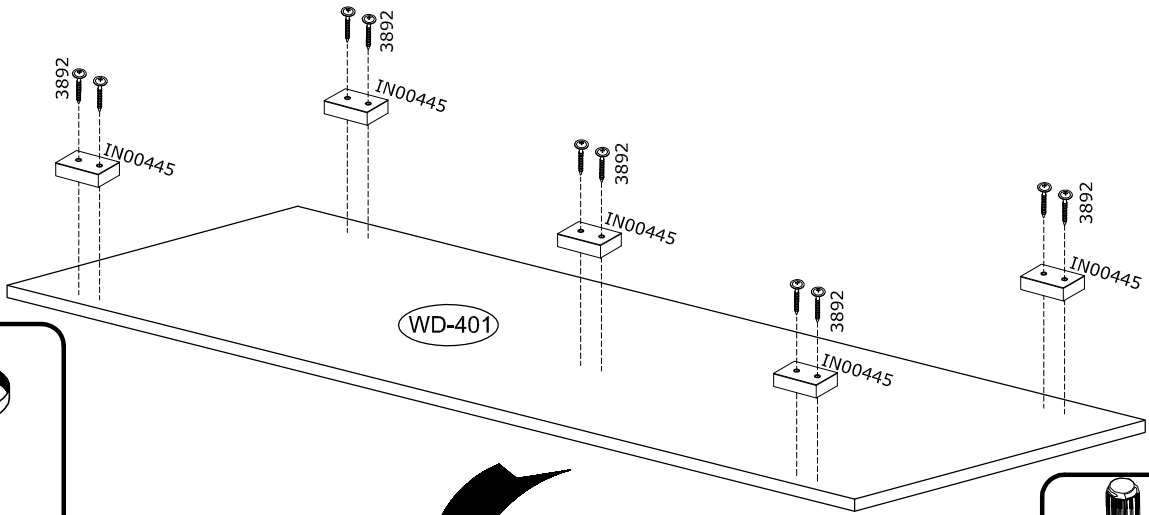


x5

3892



x10



2.

3912



x4

IN01003

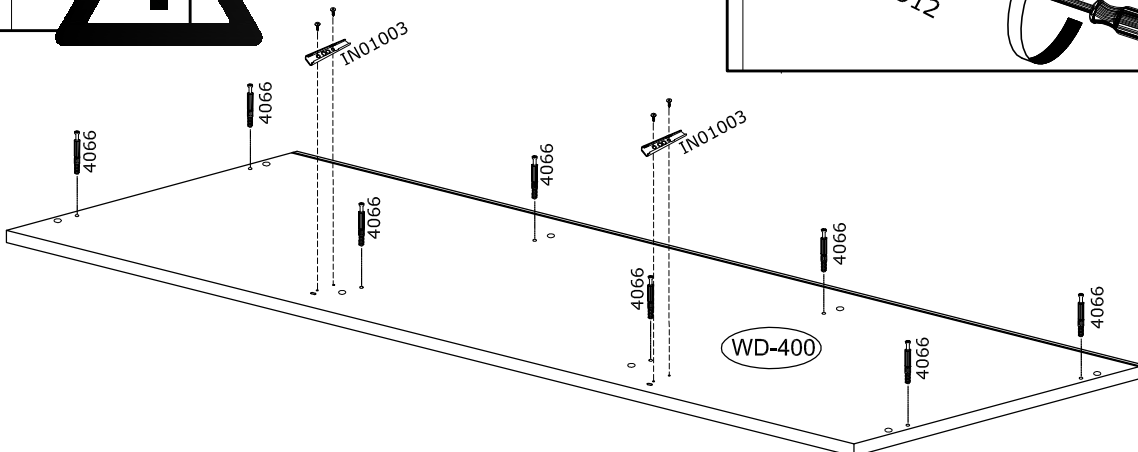
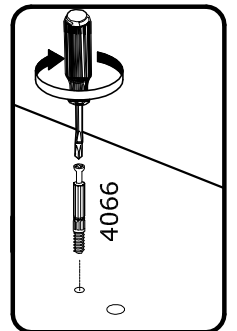
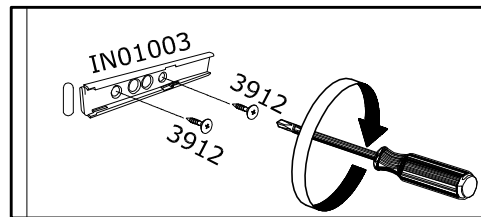
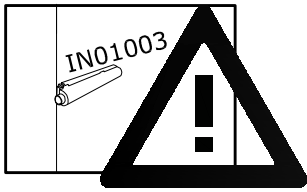


x2

4066



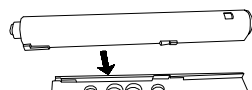
x8



IN01003



IN01003

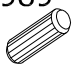





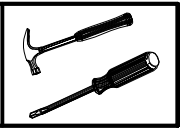
IN01003



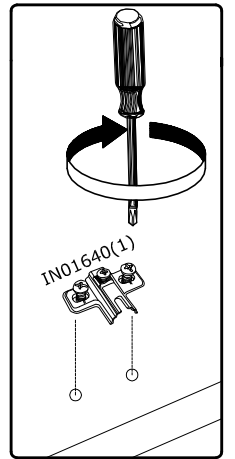
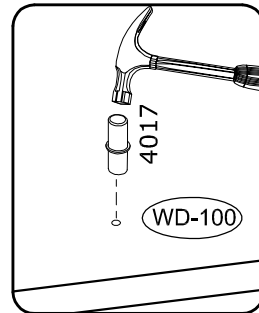
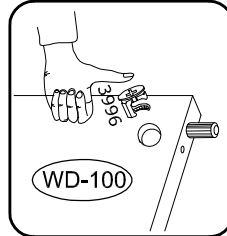
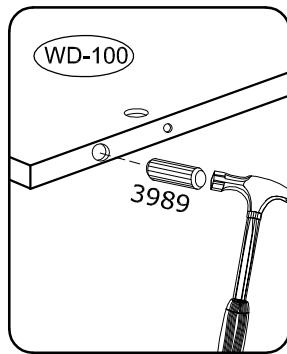
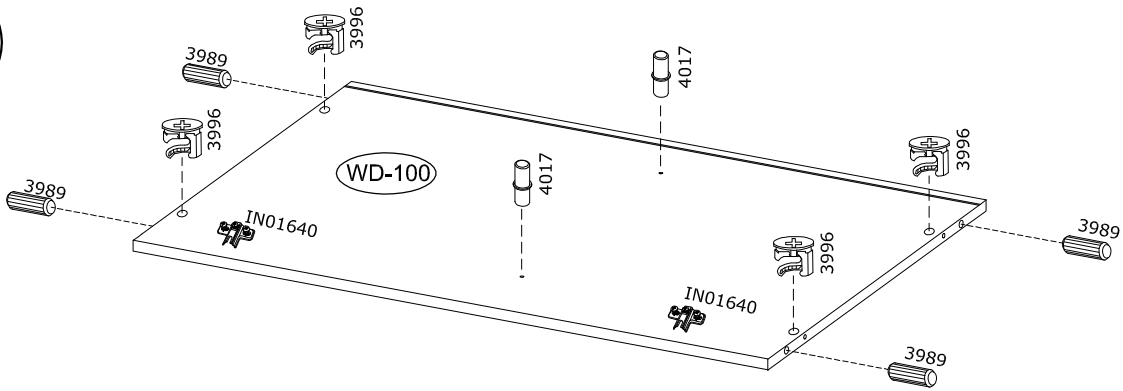
IN01003

3.


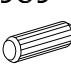



3989  x8	3996  x8	4017  x4	XXXX(2)  x4
------------------------------------------------------------------------------------------------	------------------------------------------------------------------------------------------------	------------------------------------------------------------------------------------------------	---------------------------------------------------------------------------------------------------

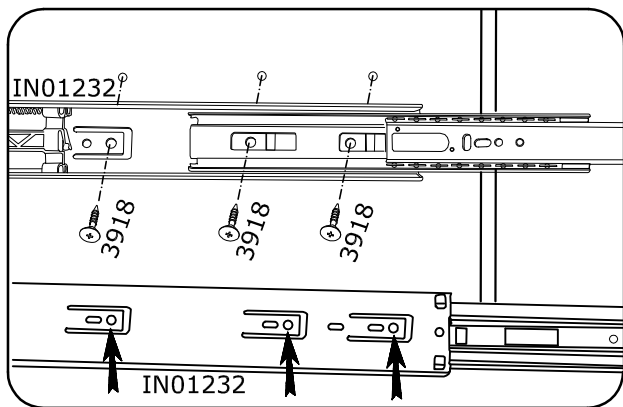
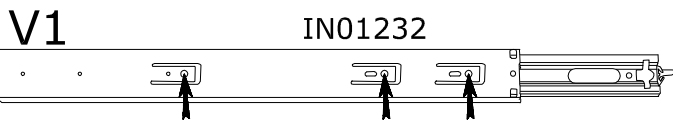
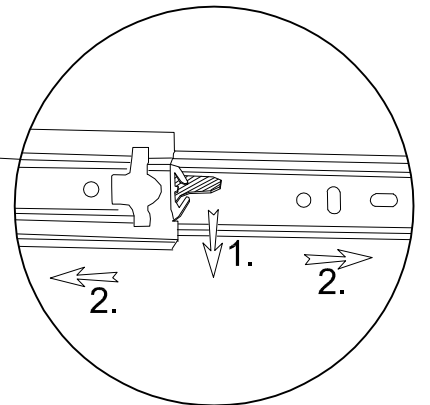
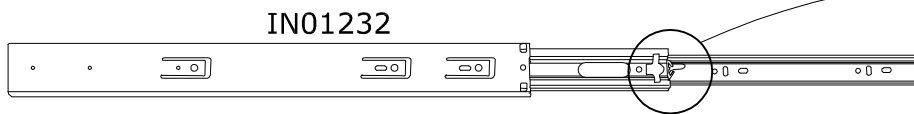
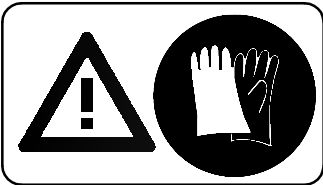
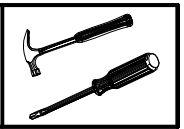


x2

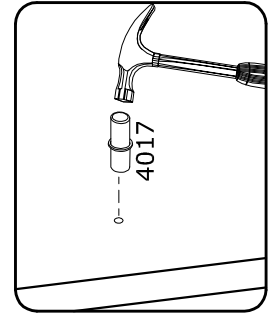
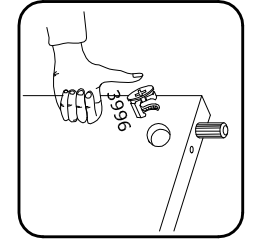
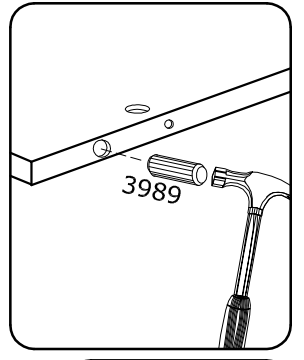
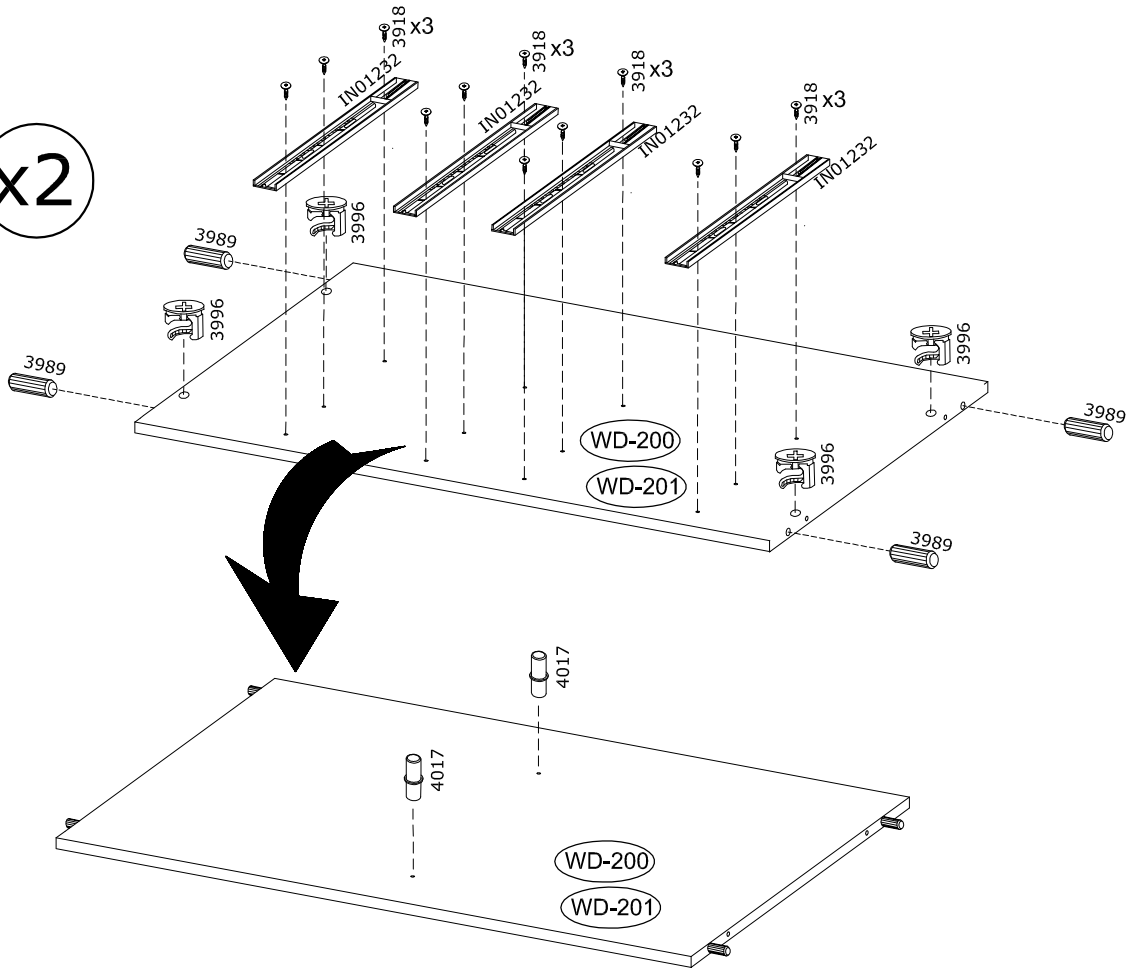


4.

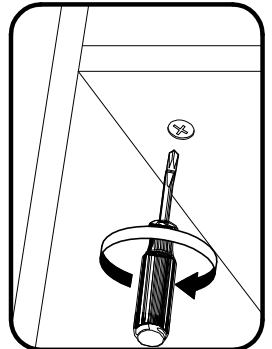
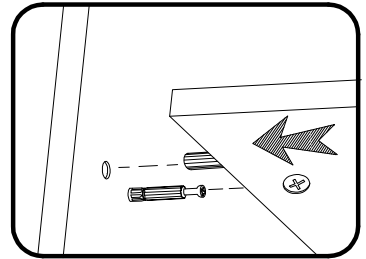
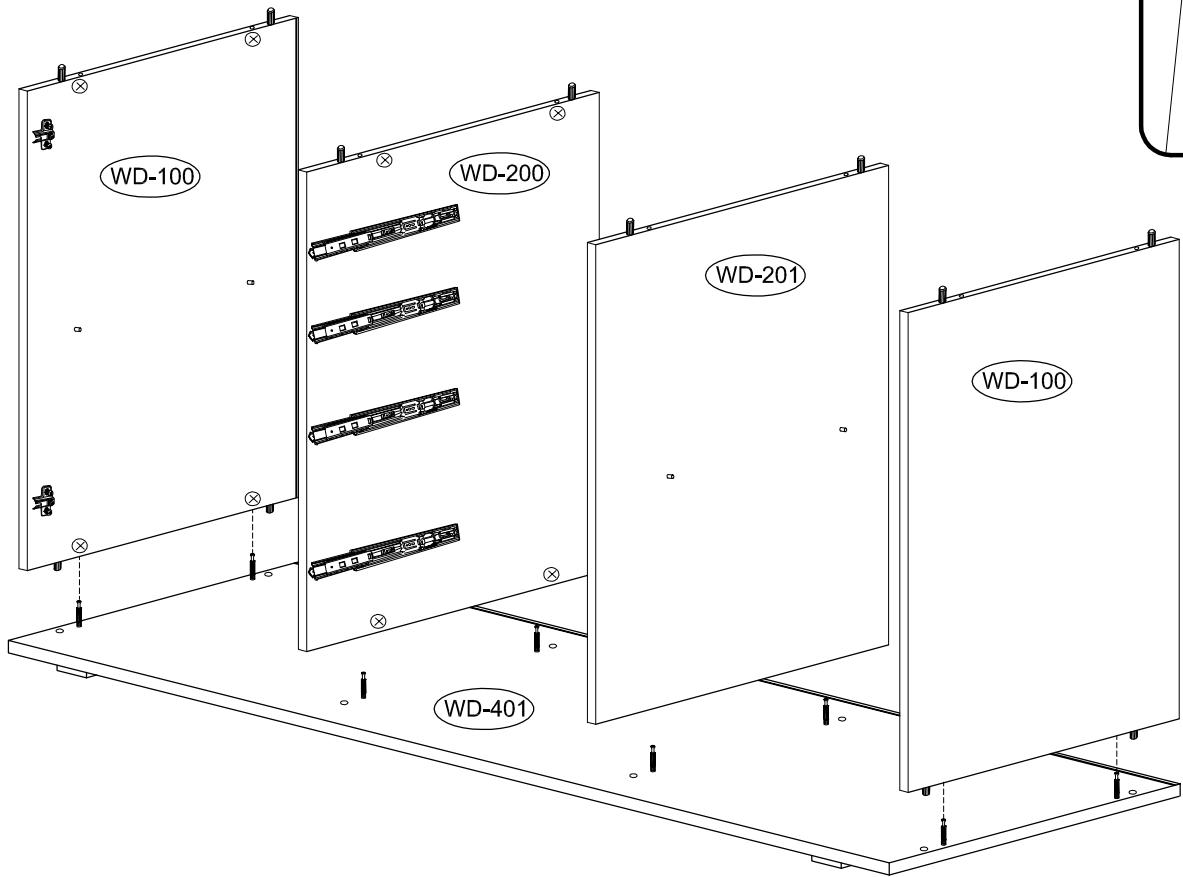
3918  x24	3989  x8	IN01232  x4	4017  x4	3996  x8
----------------------------------------------------------------------------------------------------	---------------------------------------------------------------------------------------------------	------------------------------------------------------------------------------------------------------	---------------------------------------------------------------------------------------------------	---------------------------------------------------------------------------------------------------



x2



5.

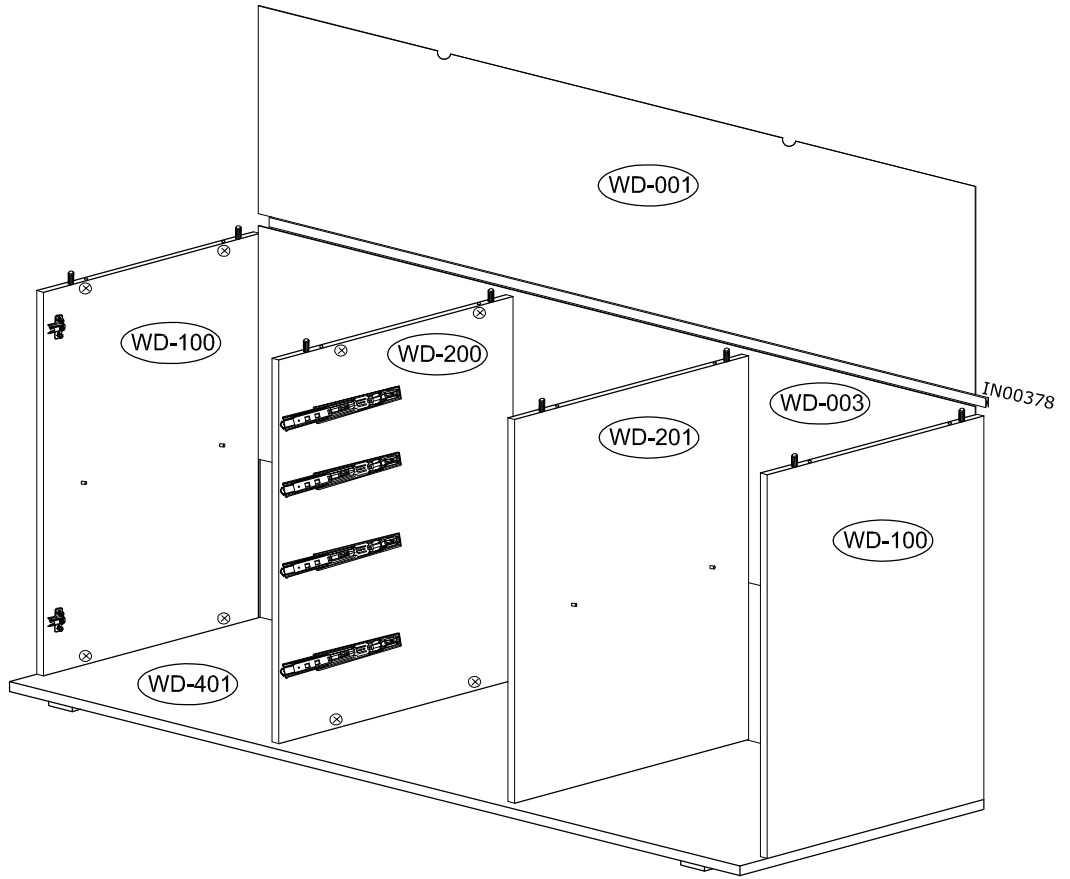
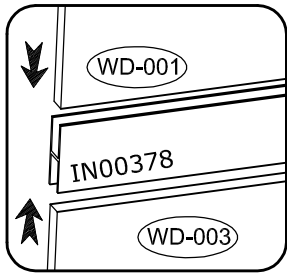


6.

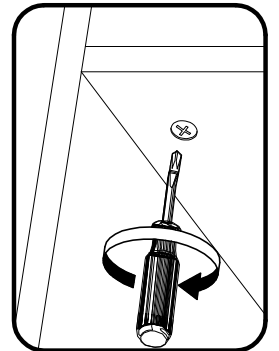
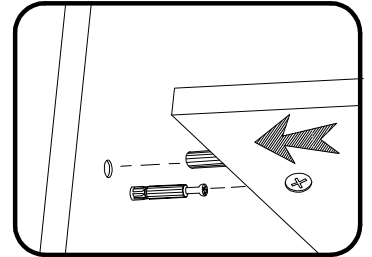
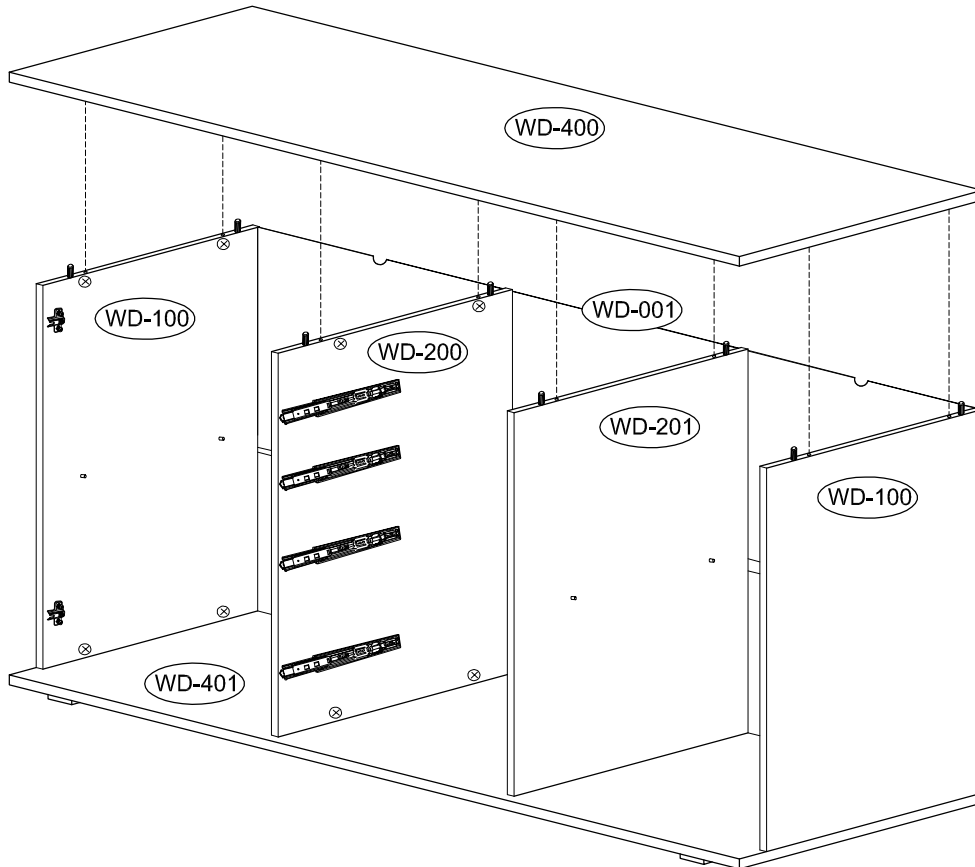
IN00378





x1

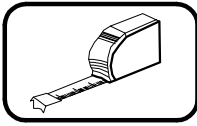
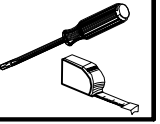


7.

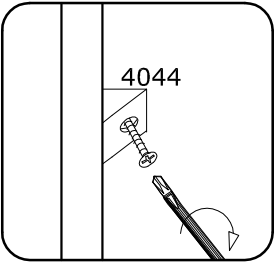
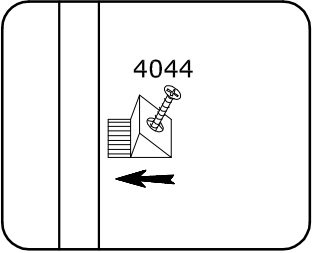
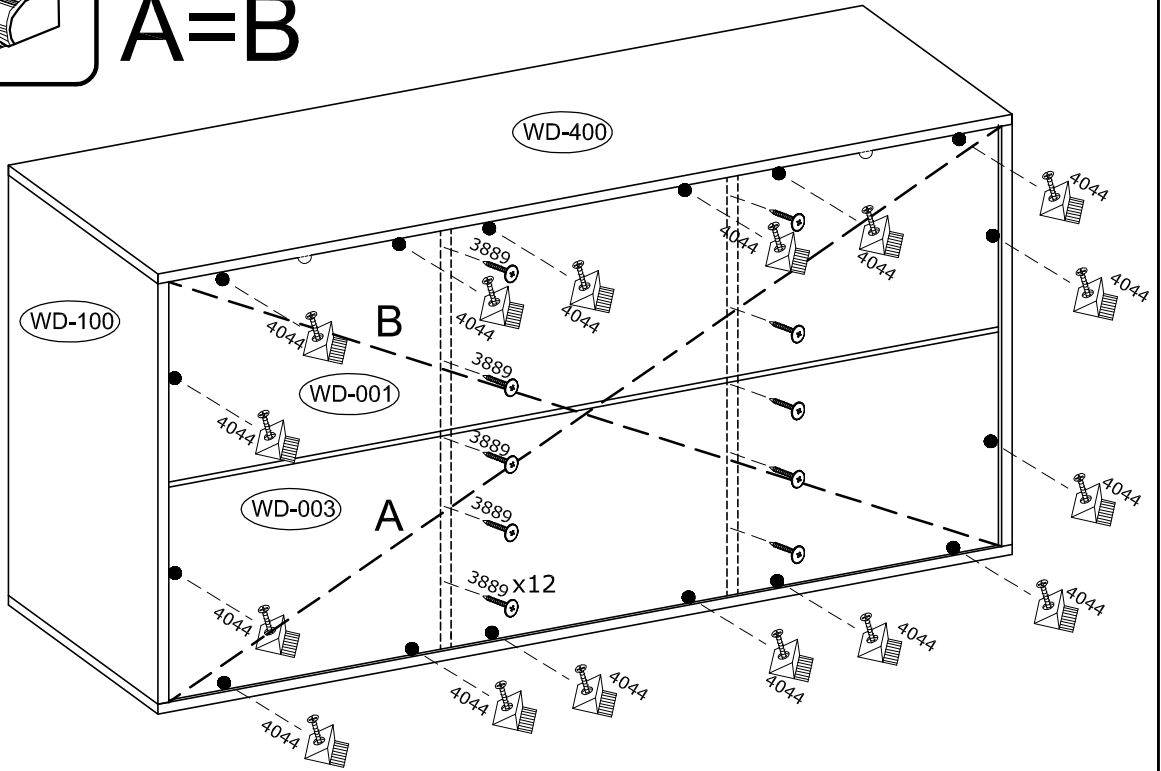


8.

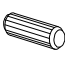


 4044 x18	 3889 x12
-------------------------------------------------------------------------------------------------	-------------------------------------------------------------------------------------------------

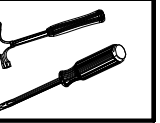


A=B

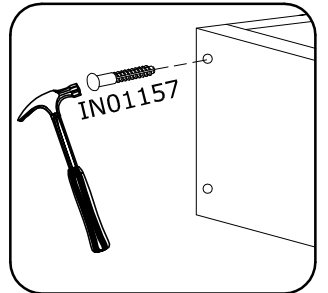
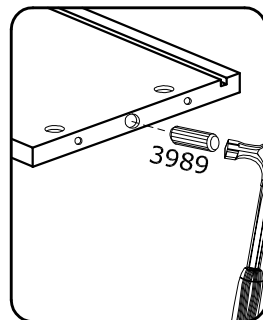
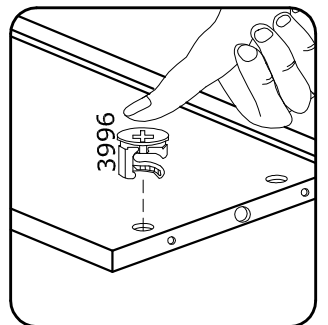
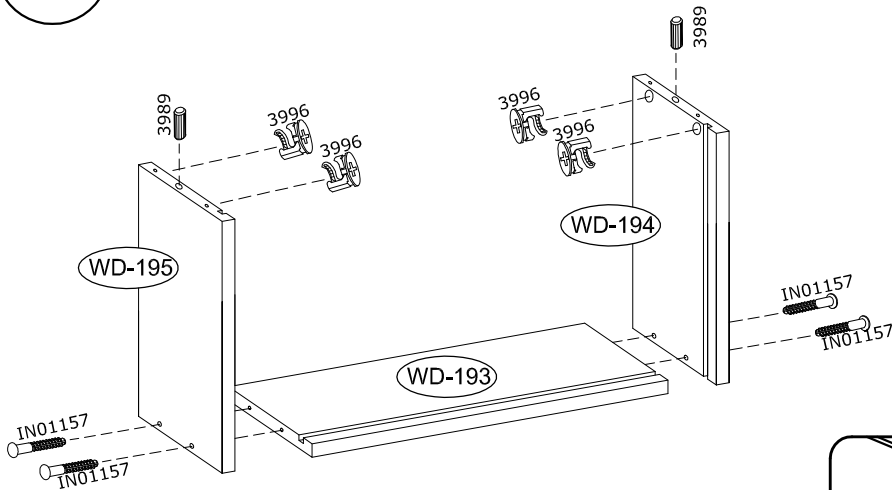


9.

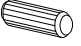


 3989 x4	 IN01157 x8	 3996 x8
---------------------------------------------------------------------------------------------------	------------------------------------------------------------------------------------------------------	---------------------------------------------------------------------------------------------------

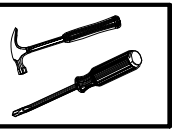


x2

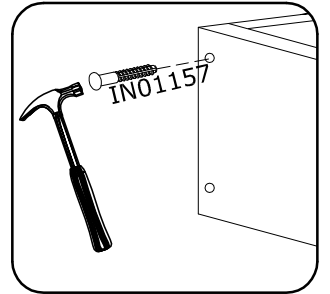
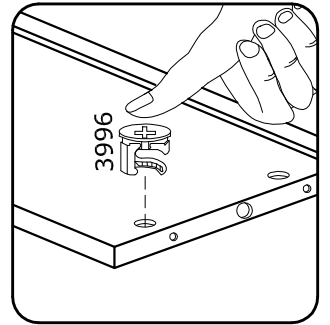
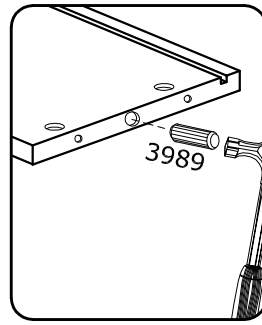
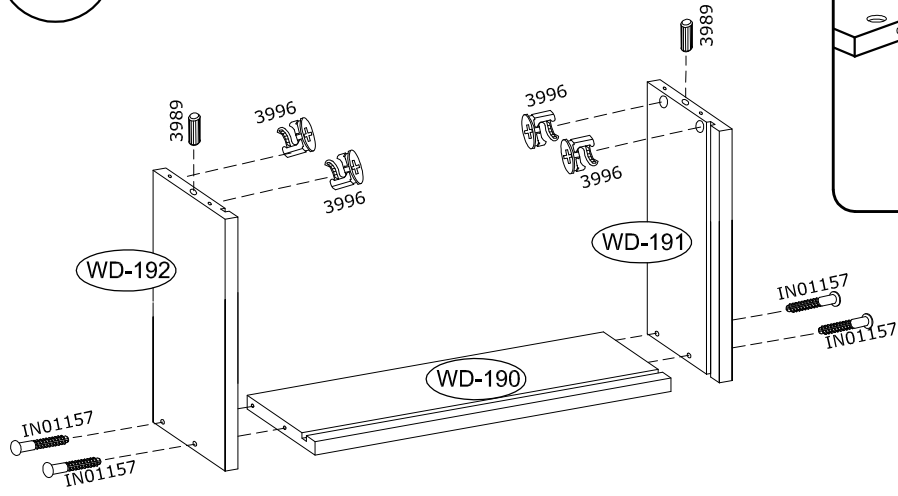


10




3989  Dx4	IN01157  Jx8	3996  Bx8
-------------------------------------------------------------------------------------------------	----------------------------------------------------------------------------------------------------	-------------------------------------------------------------------------------------------------



x2

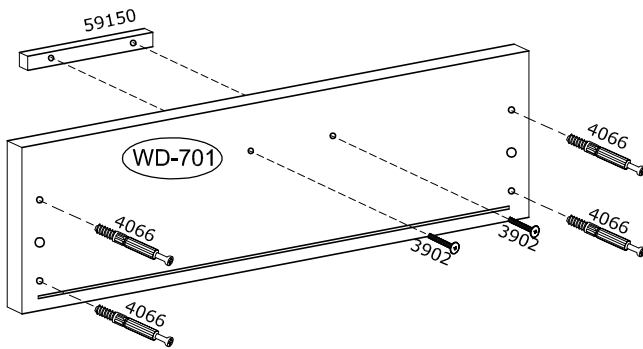


11

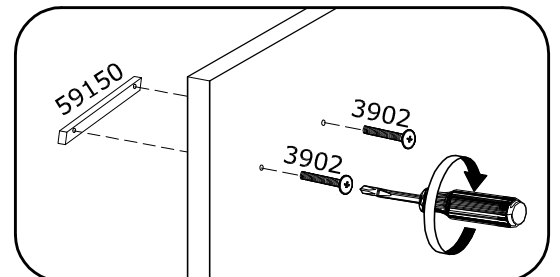
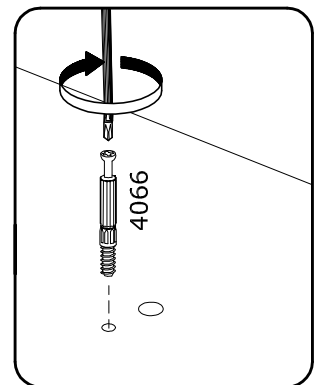
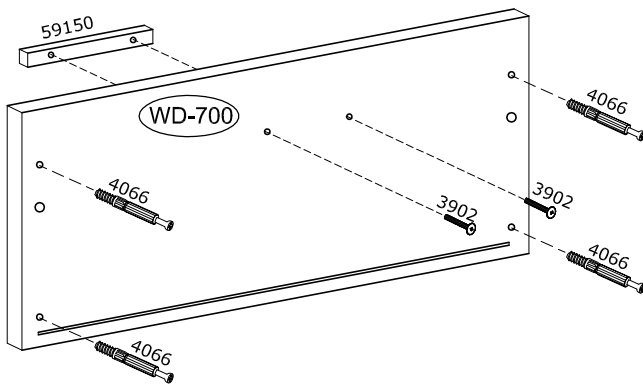
59150  x4	4066  x16	3902  x8
--------------------------------------------------------------------------------------------------	--------------------------------------------------------------------------------------------------	-------------------------------------------------------------------------------------------------



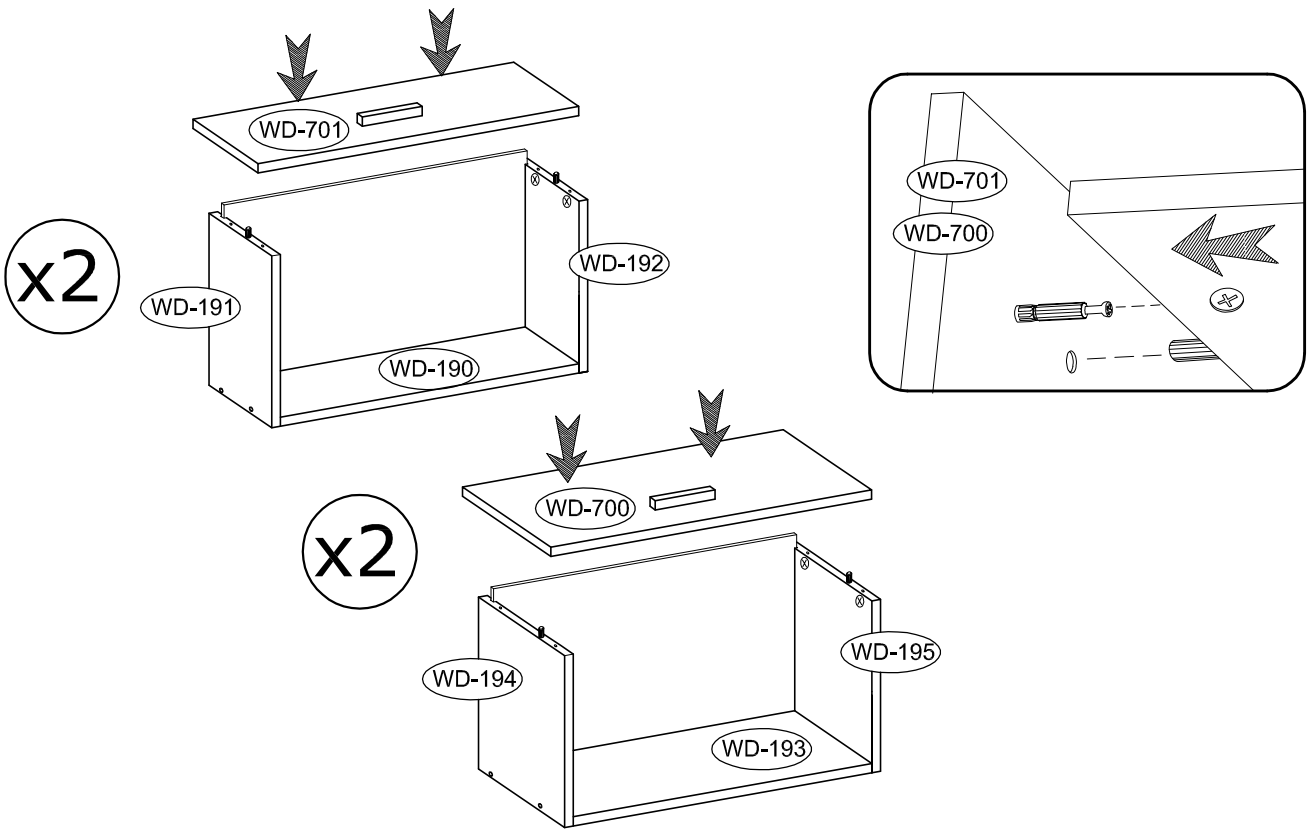
x2



x2



12



13

3918

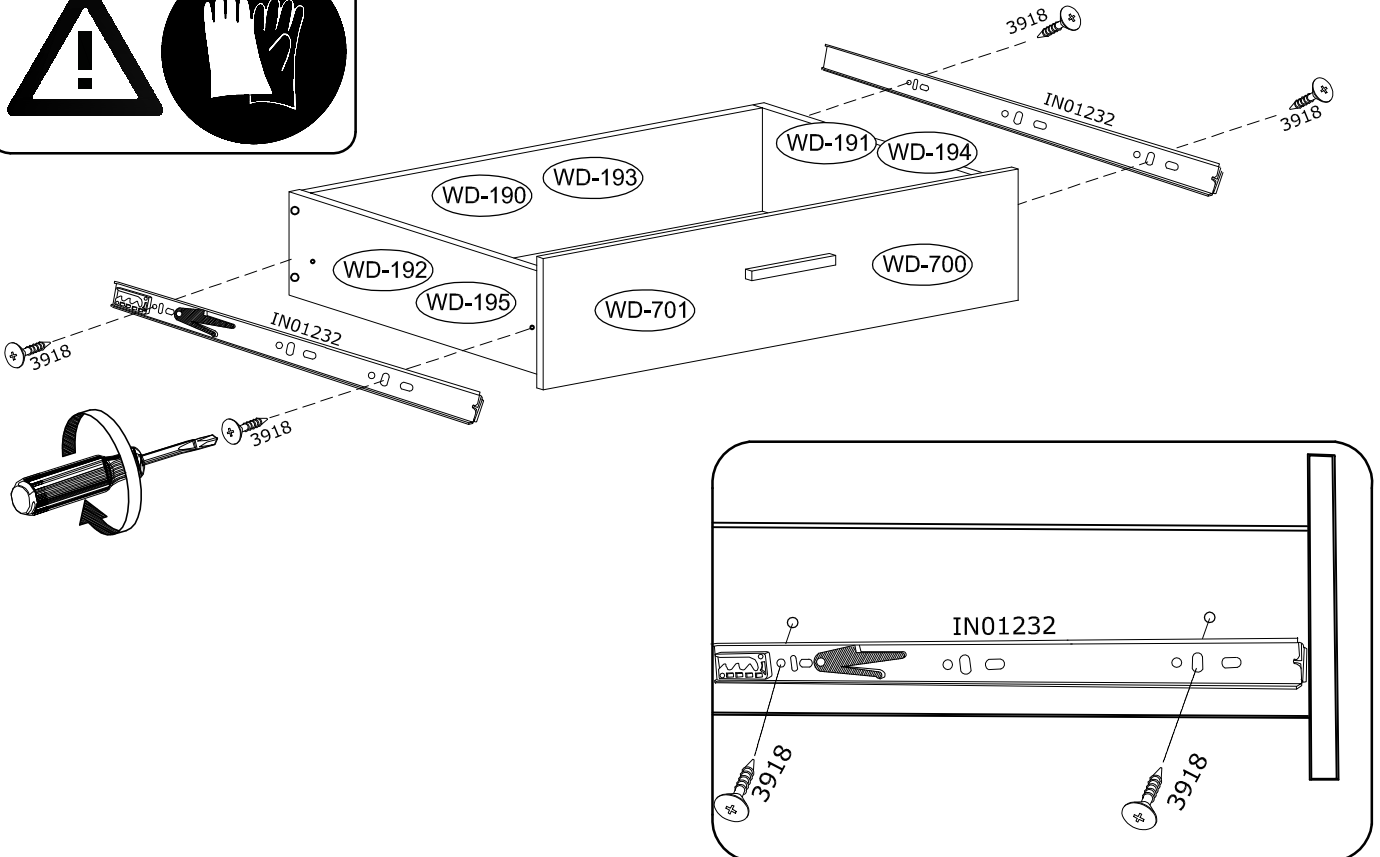
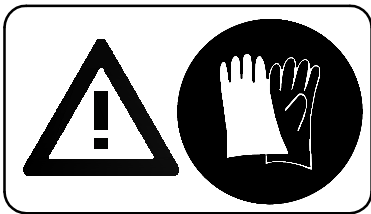


x16

IN01232

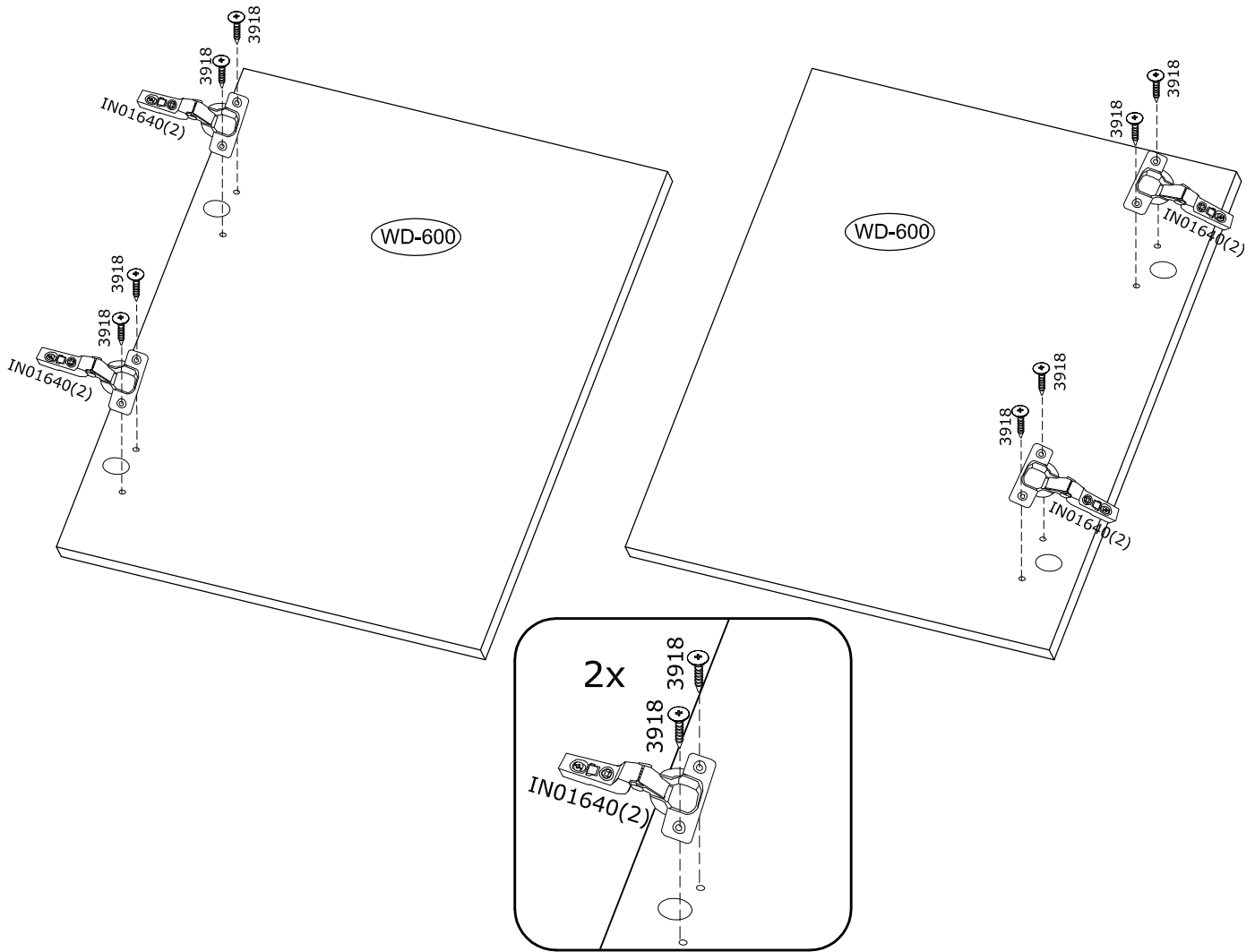
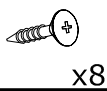
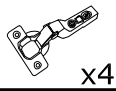


x8



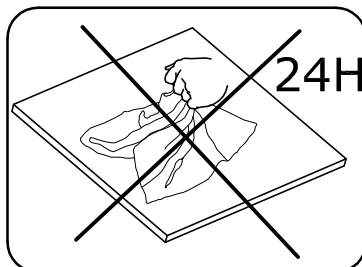
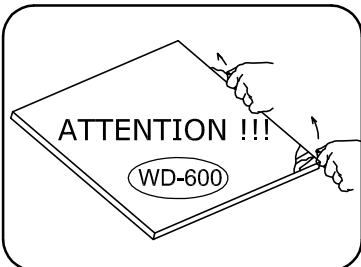
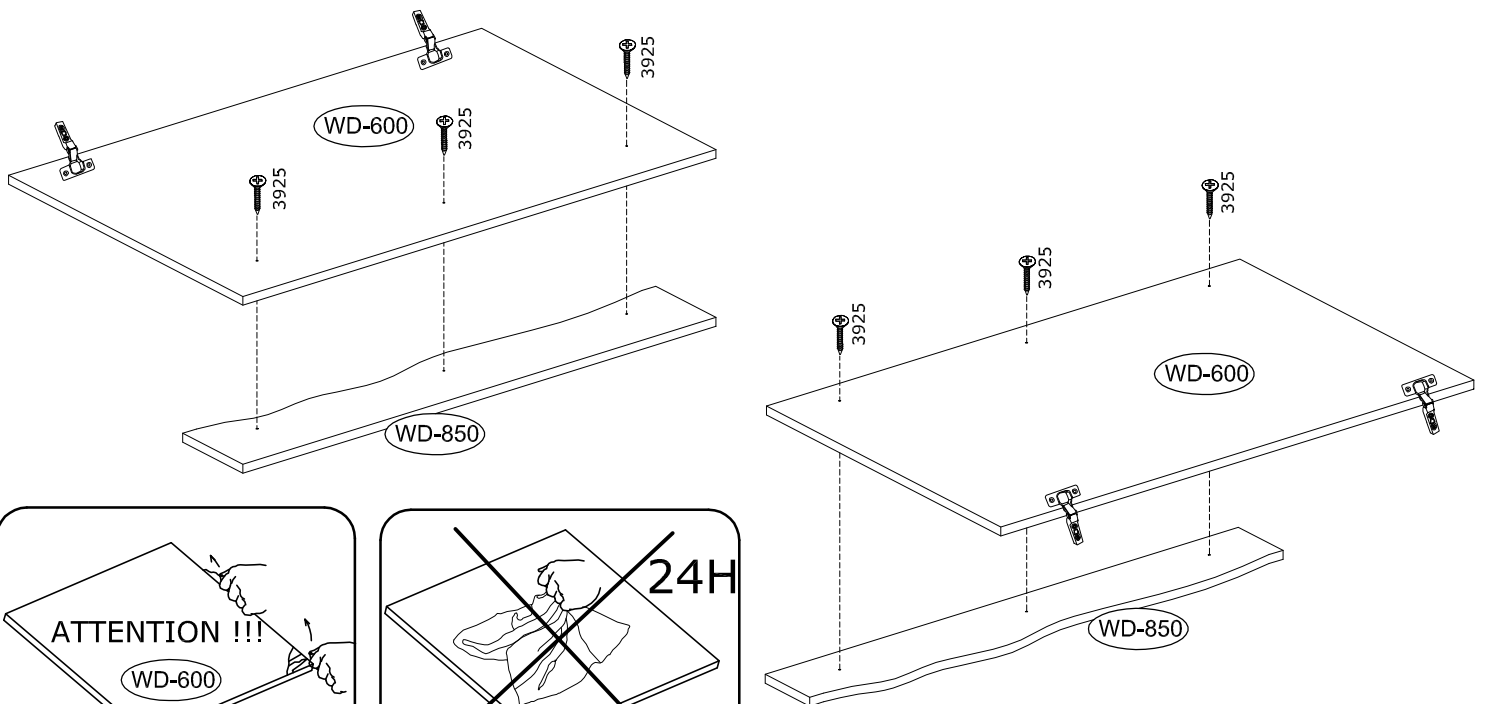
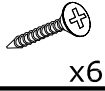
14

IN01640(2) 3918



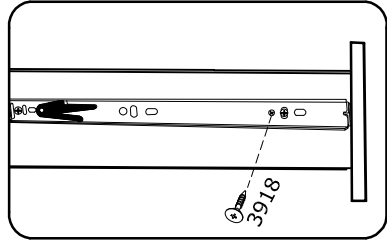
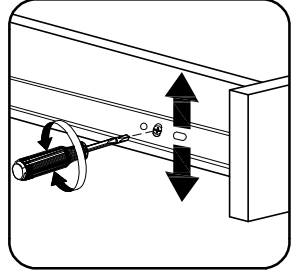
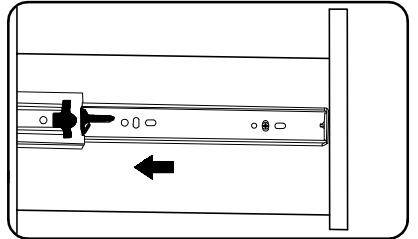
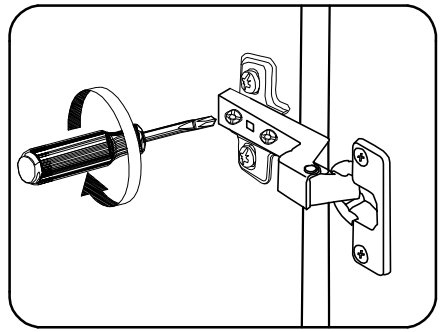
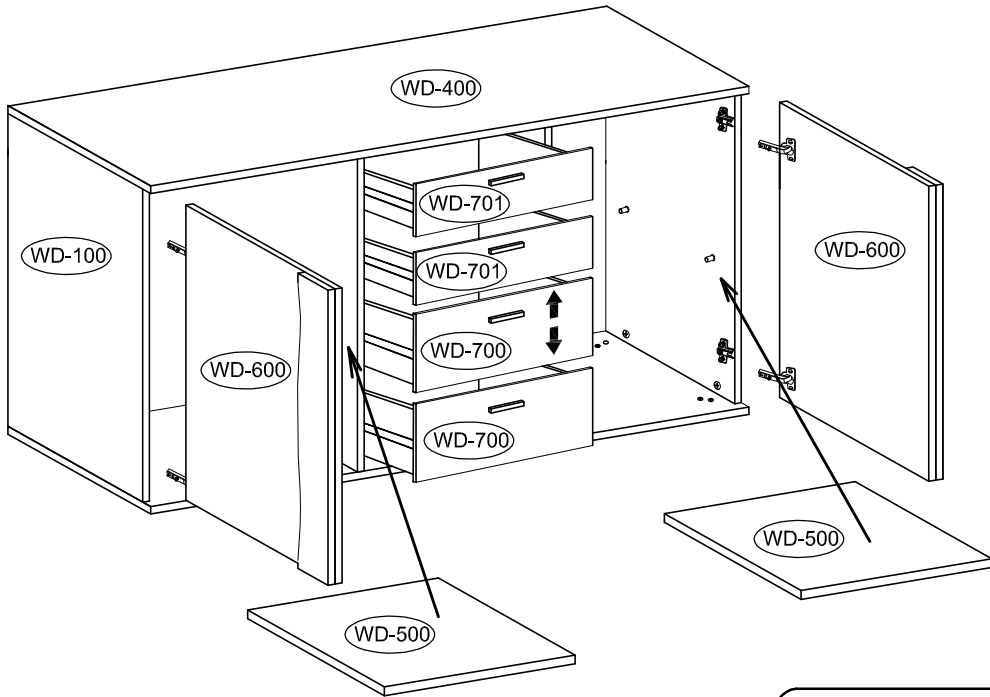
15

3925



16

3918
x8



17

