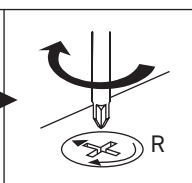
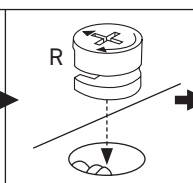
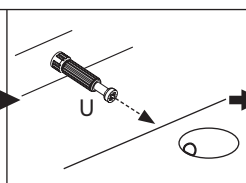
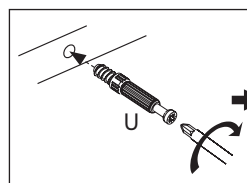
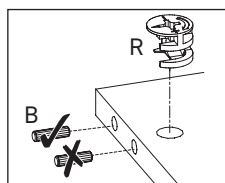
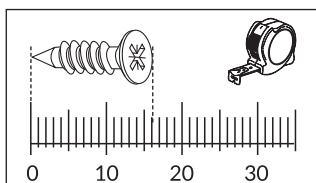
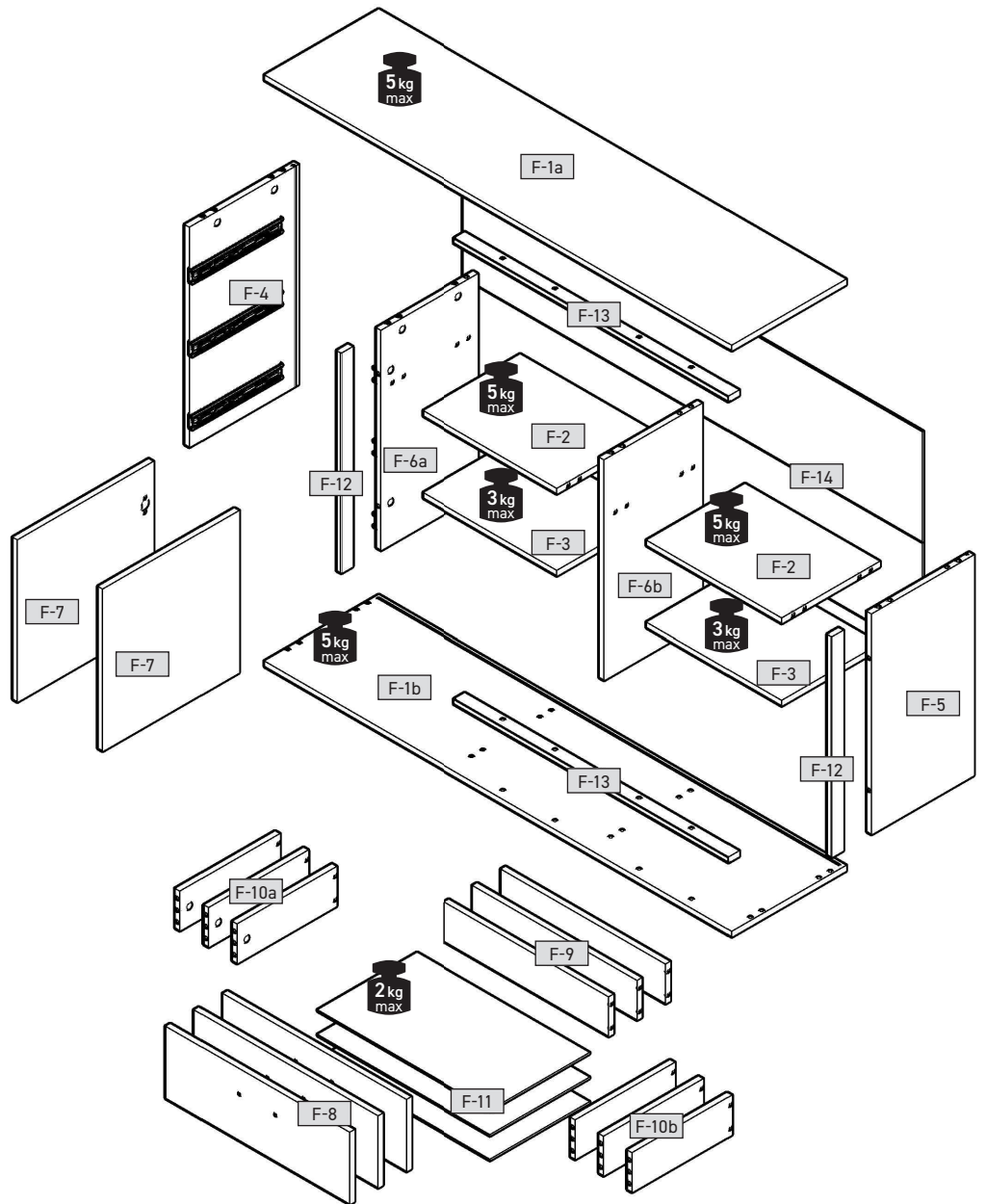
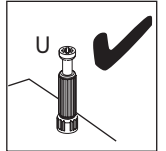
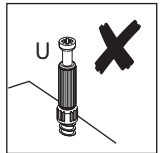
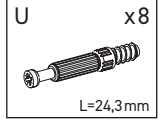
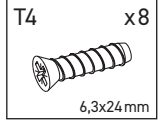
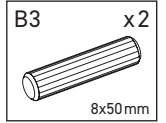
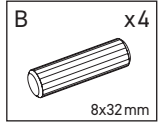
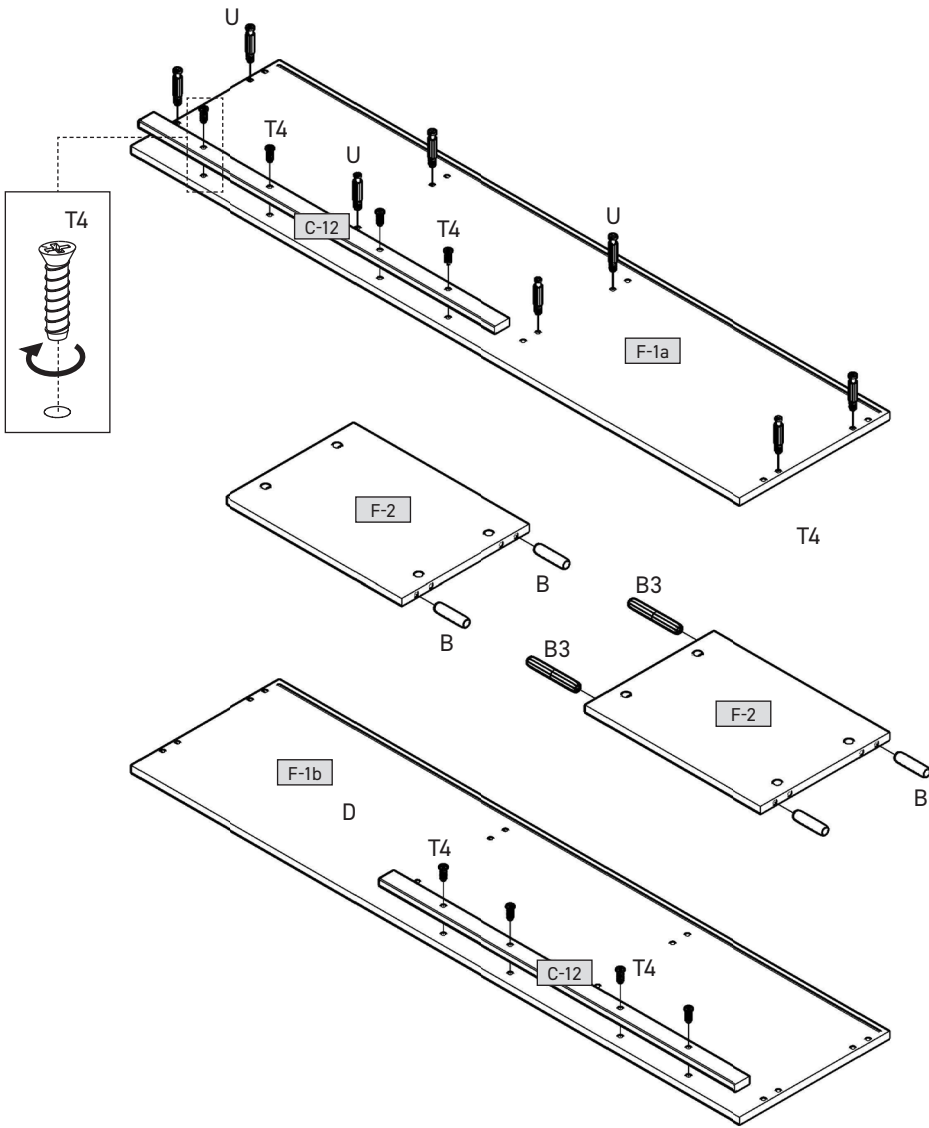


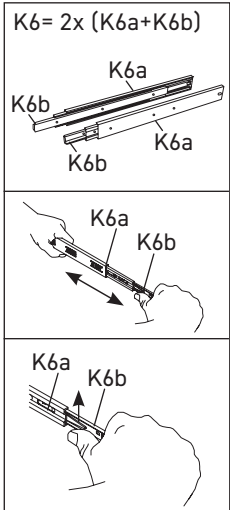
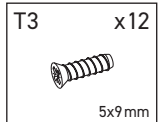
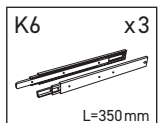
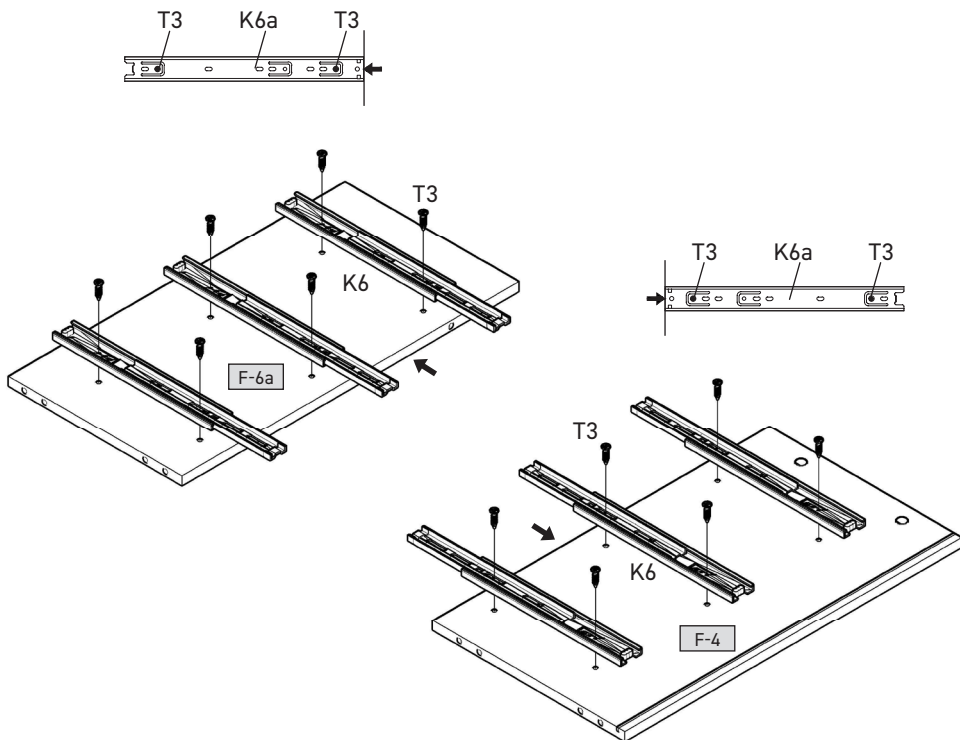
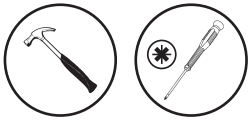
F-1a	1648	402	16	x 1	1/2
F-1b	1648	402	16	x 1	1/2
F-2	474	345	16	x 2	1/2
F-3	474	330	16	x 2	1/2
F-4	670	382	16	x 1	1/2
F-5	670	360	16	x 1	2/2
F-6a	670	345	16	x 1	2/2
F-6b	670	345	16	x 1	2/2
F-7	478	492	16	x 2	1/2
F-8	646	219	16	x 3	2/2
F-9	579	120	16	x 3	2/2
F-10a	350	120	16	x 3	1/2
F-10b	350	120	16	x 3	1/2
F-11	609	356	3	x 3	2/2
F-12	670	40	16	x 2	1/2
F-13	964	38	16	x 2	1/2
F-14	684	1629	3	x 1	1/2



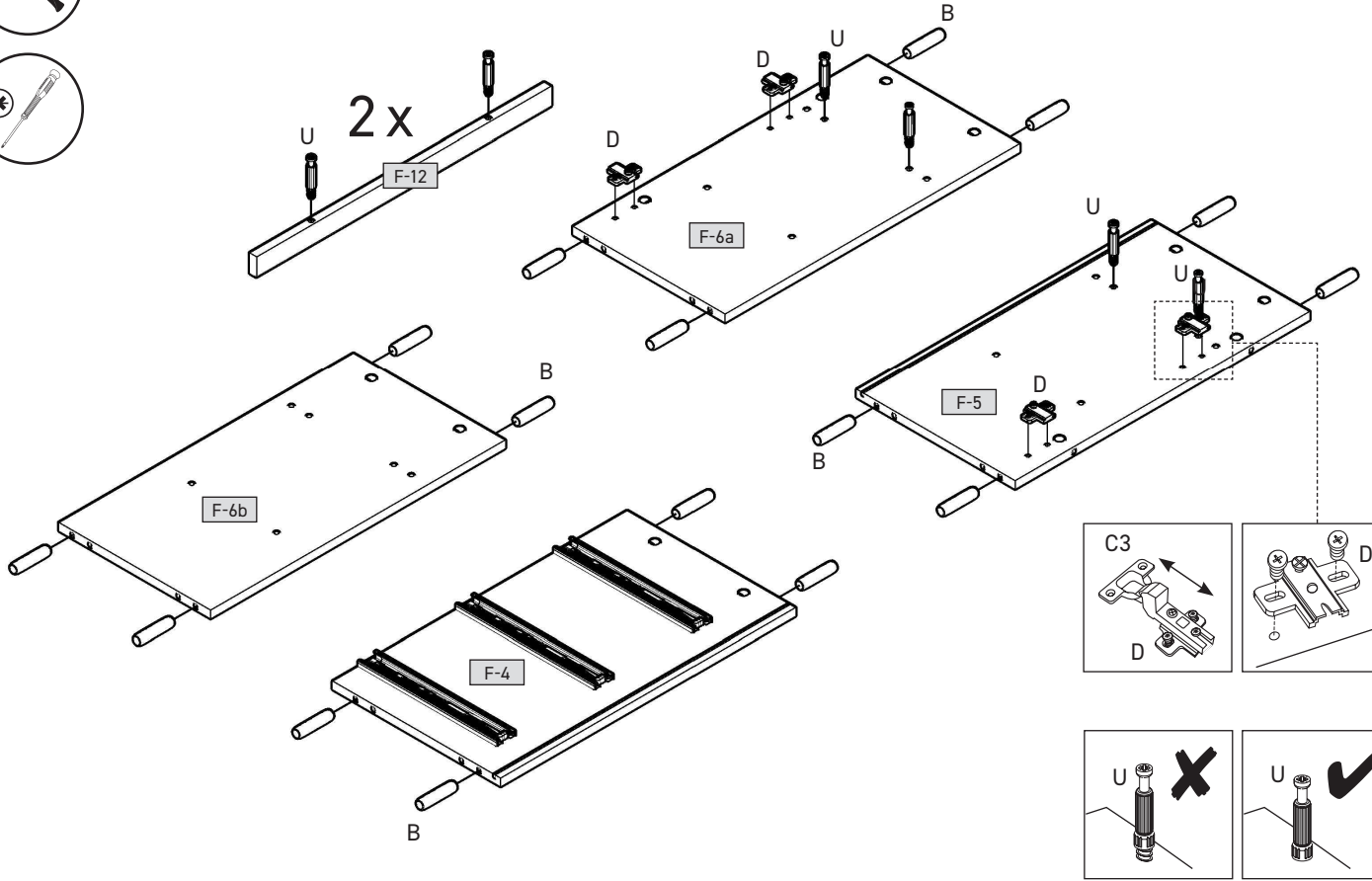
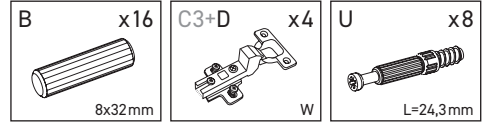
1



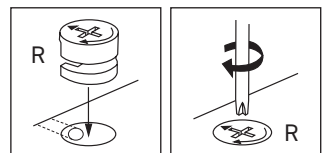
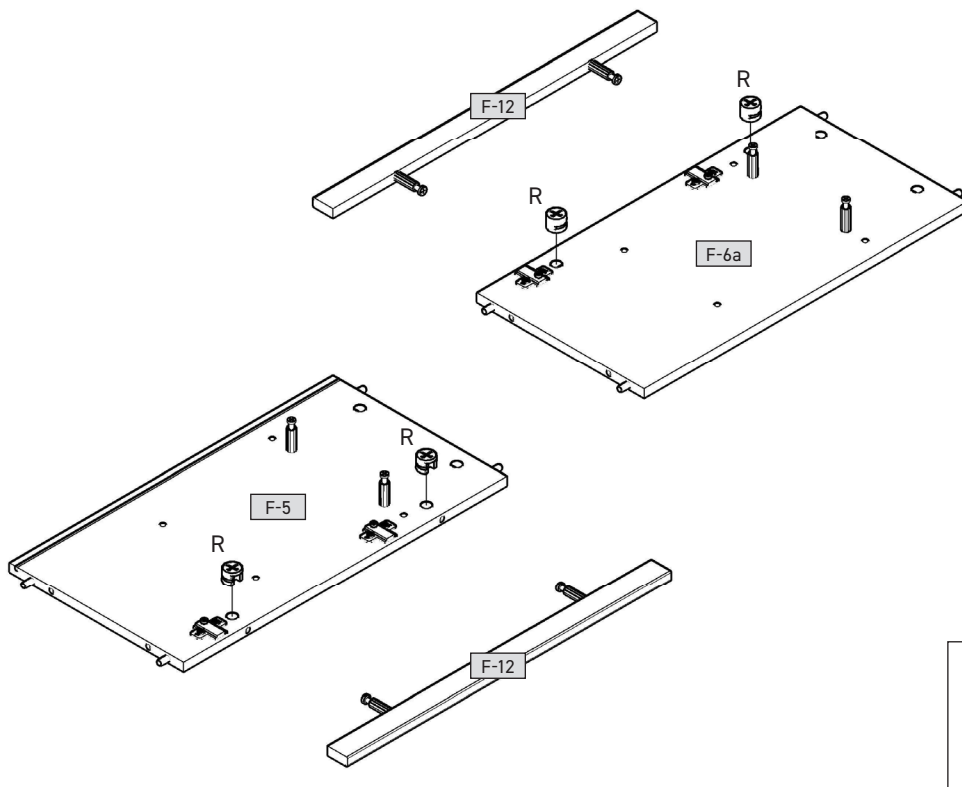
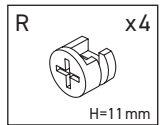
2



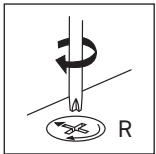
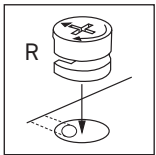
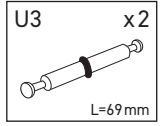
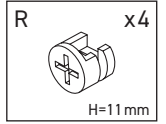
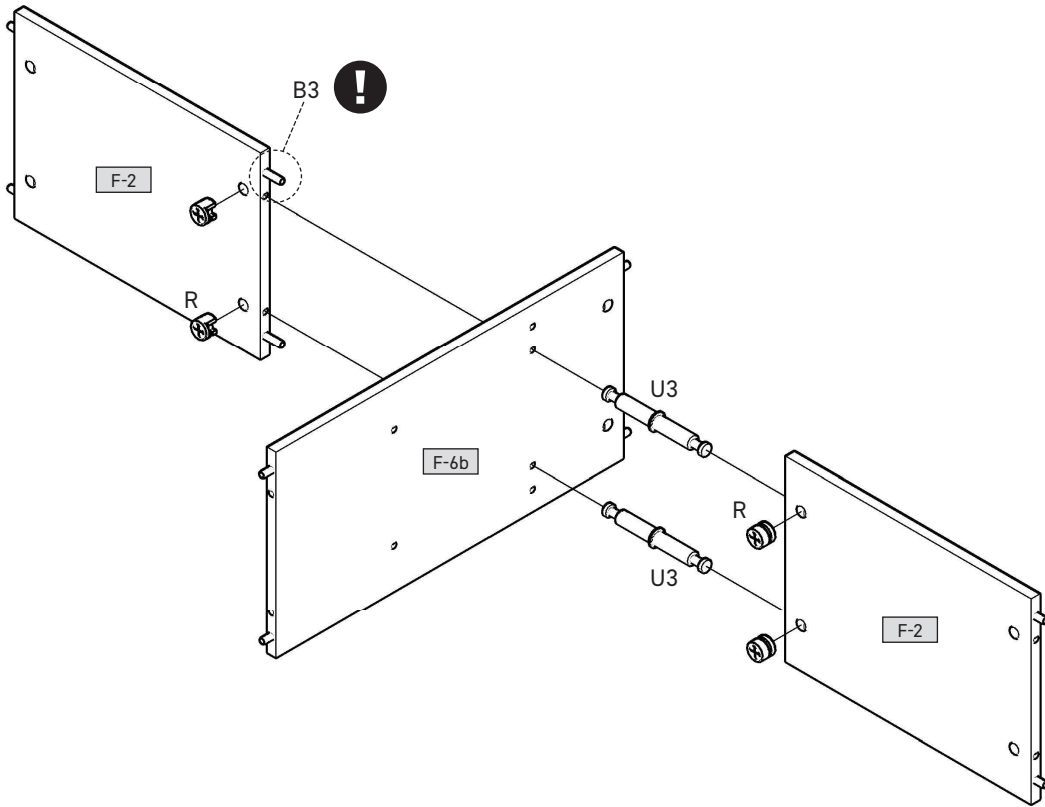
3



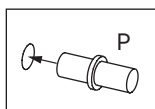
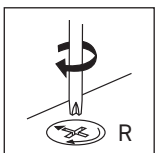
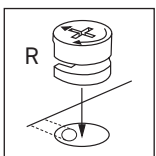
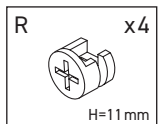
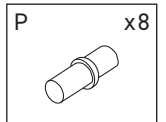
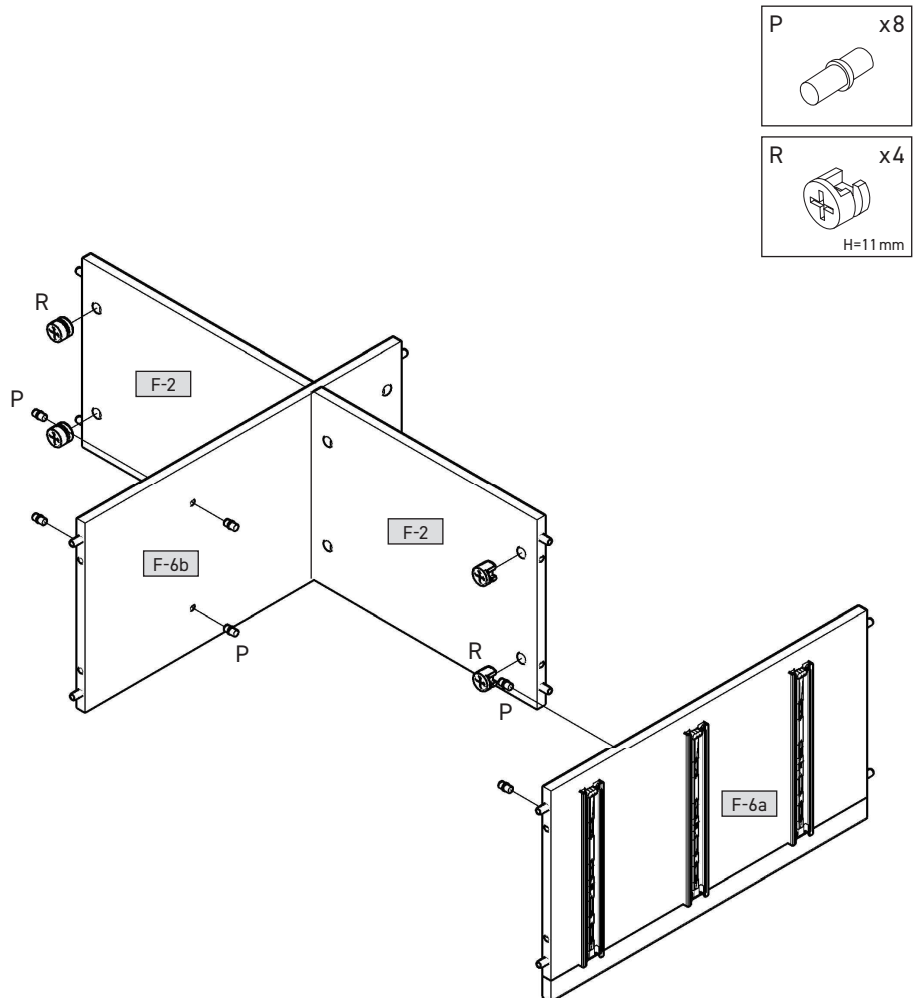
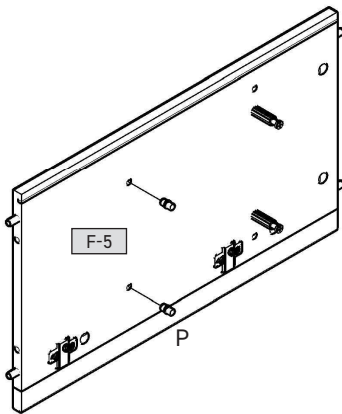
4



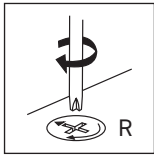
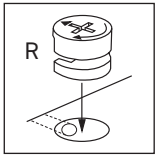
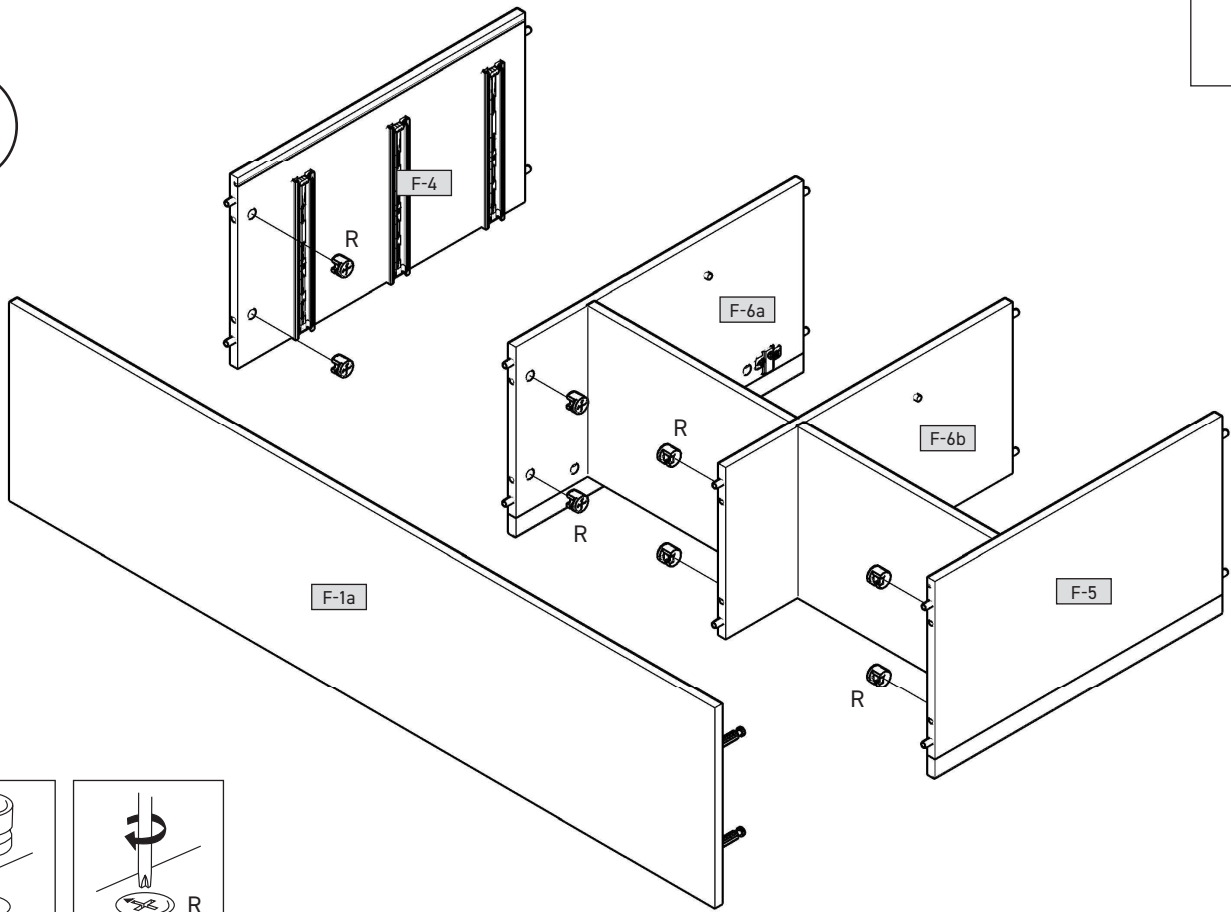
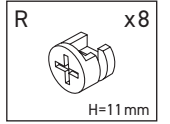
5



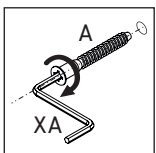
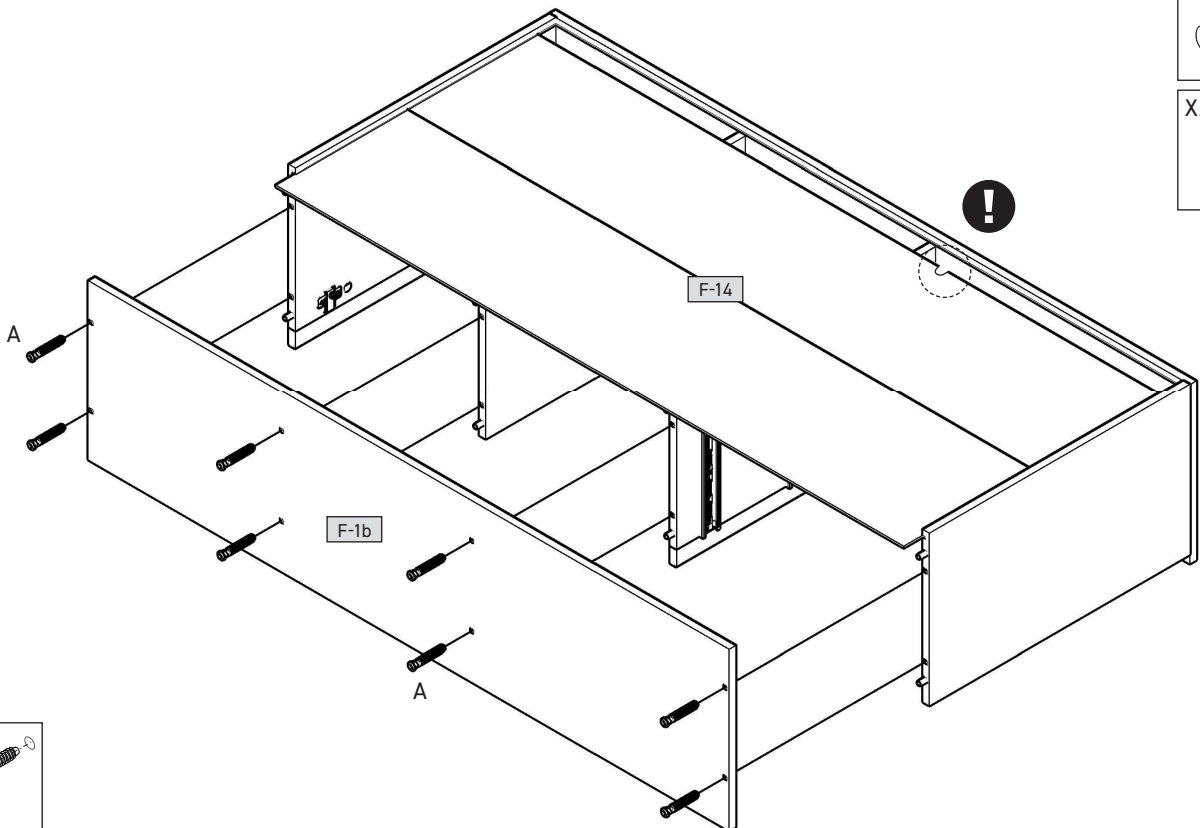
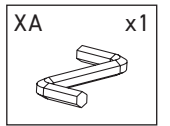
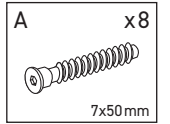
6



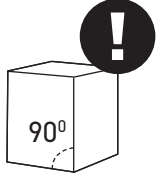
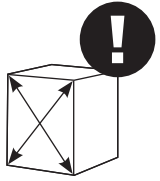
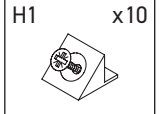
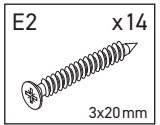
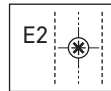
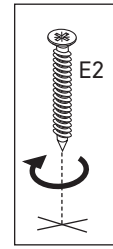
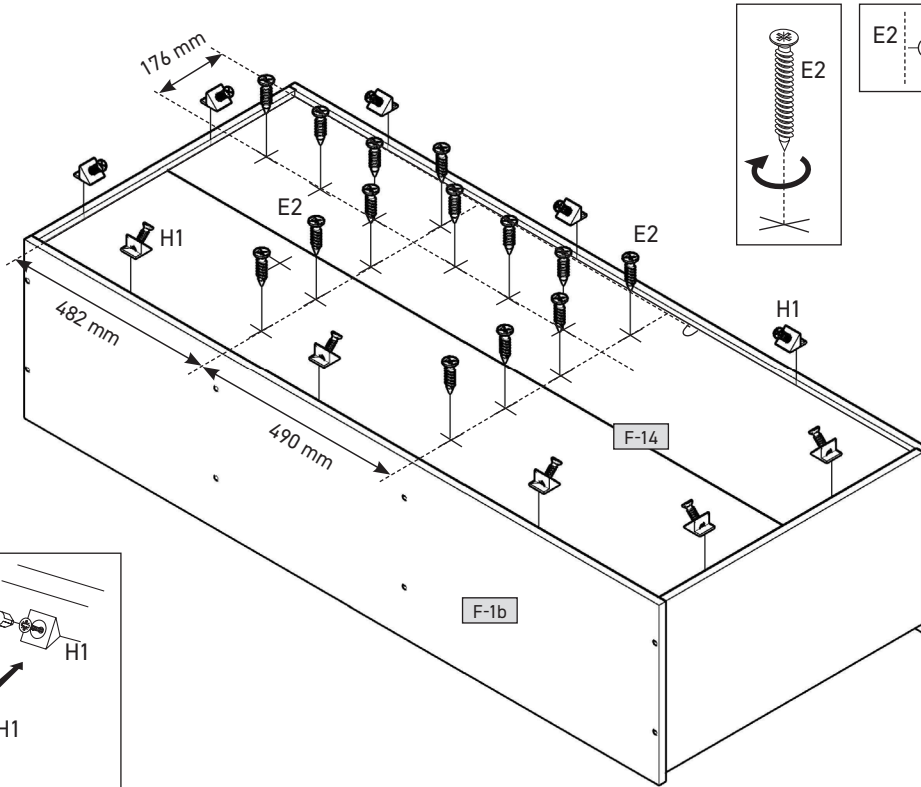
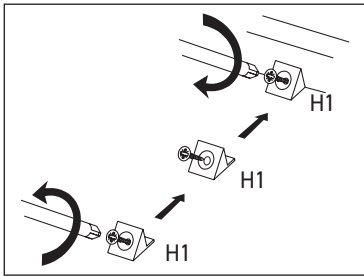
7



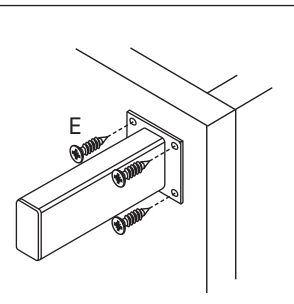
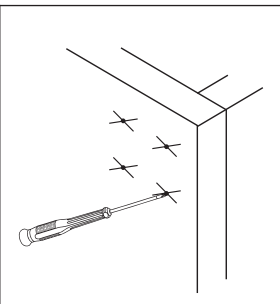
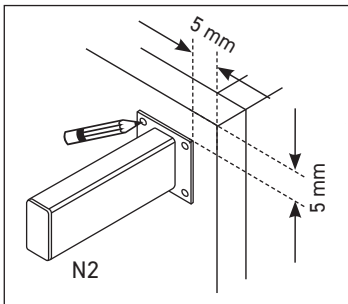
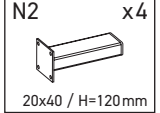
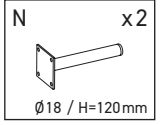
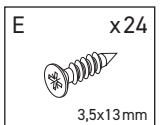
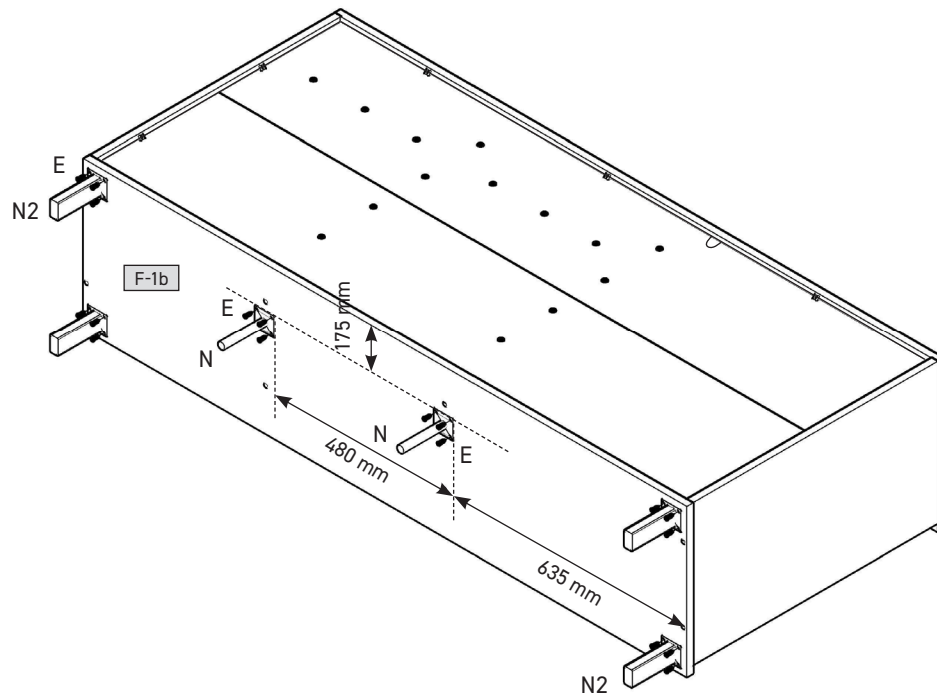
8



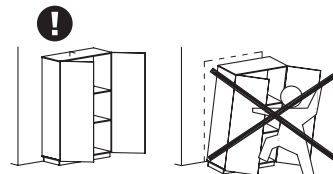
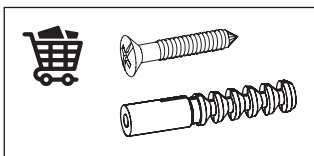
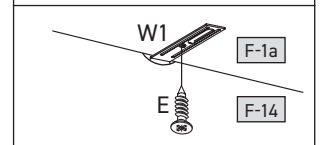
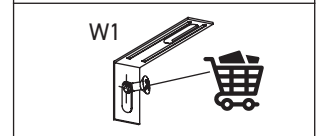
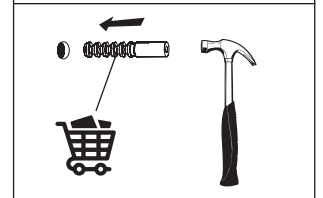
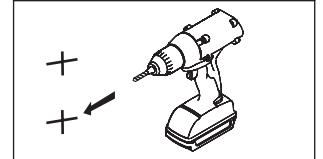
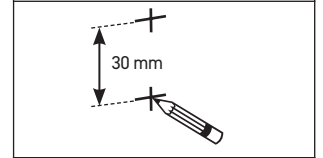
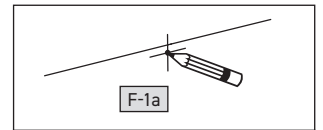
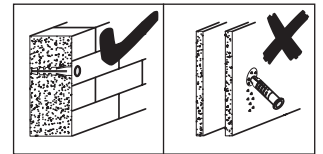
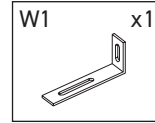
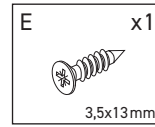
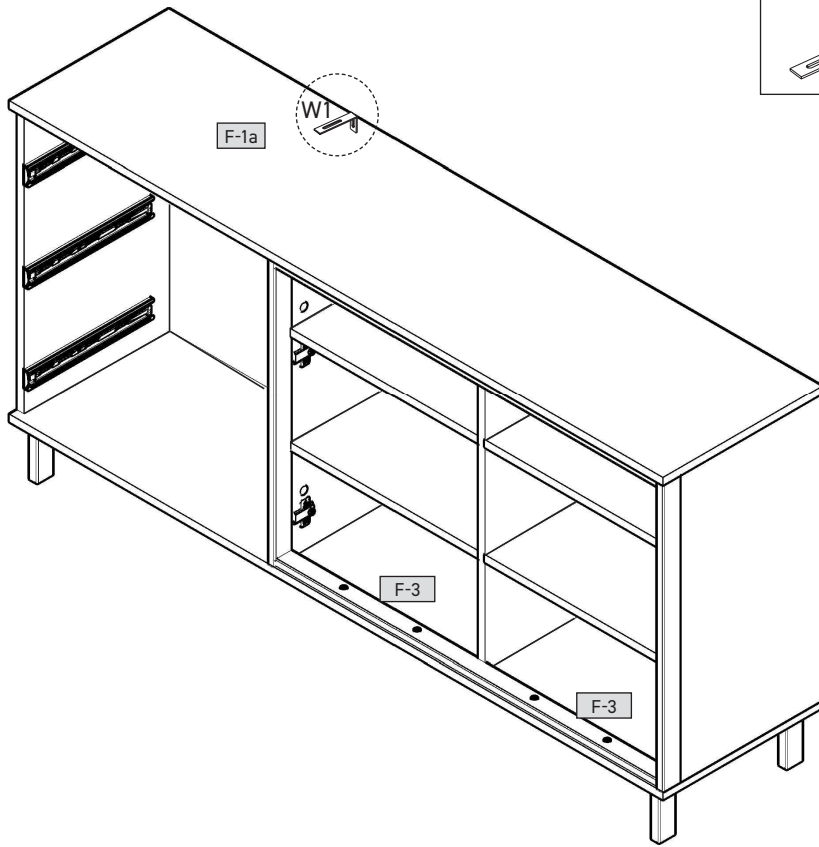
9



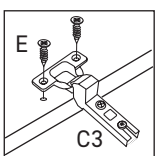
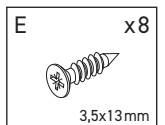
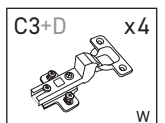
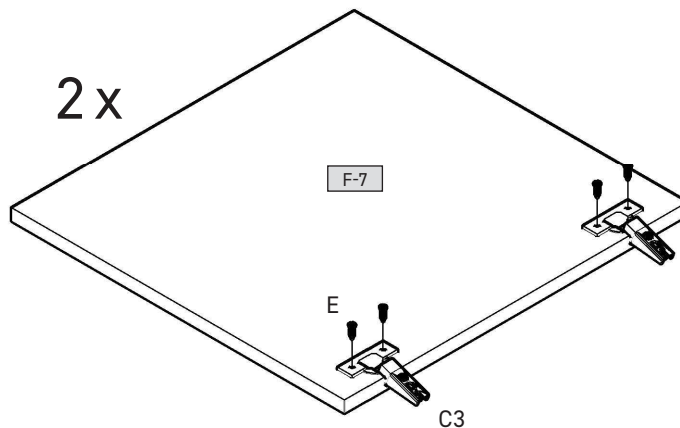
10



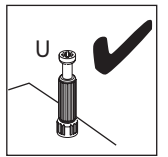
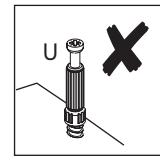
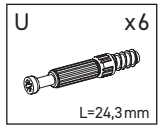
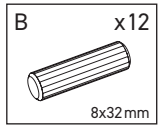
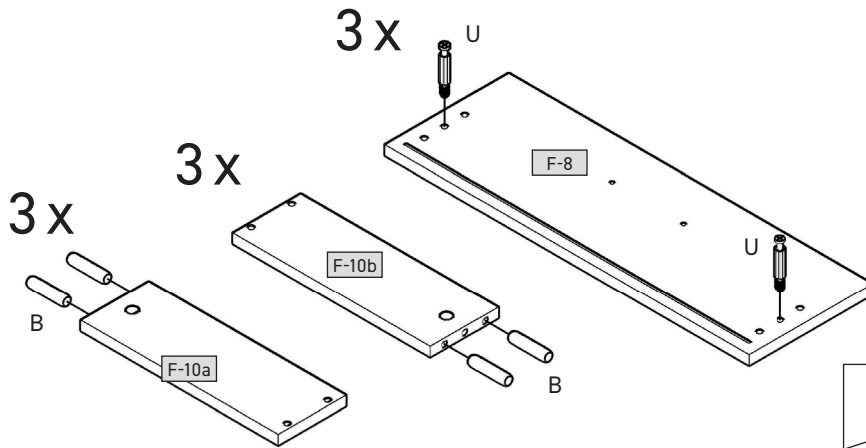
11



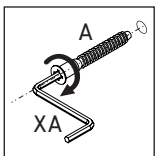
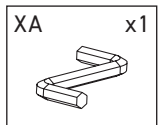
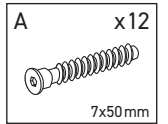
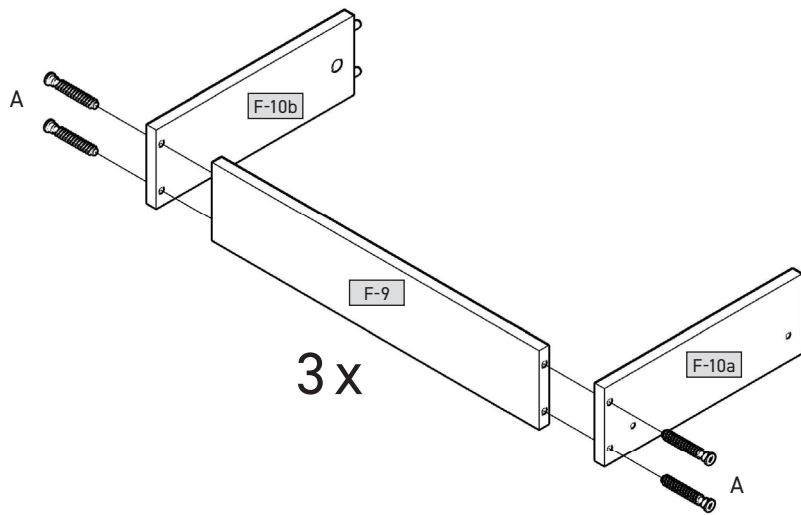
12



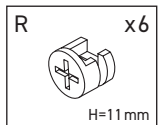
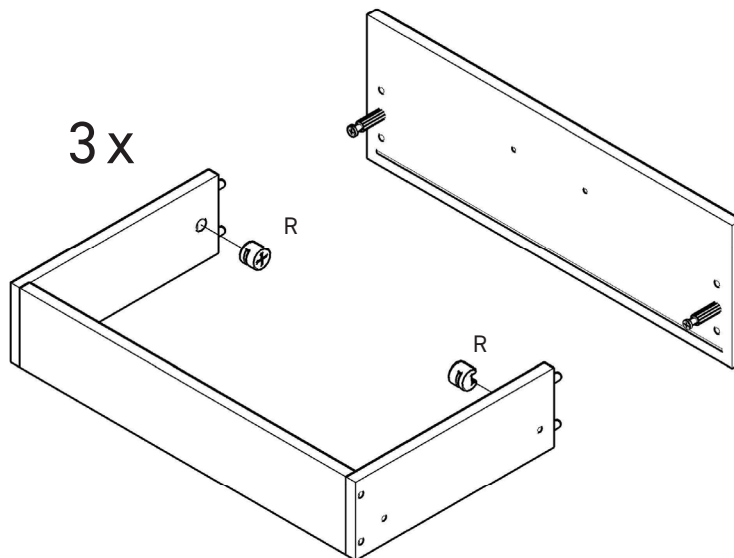
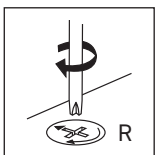
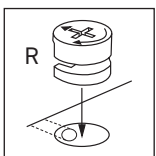
13



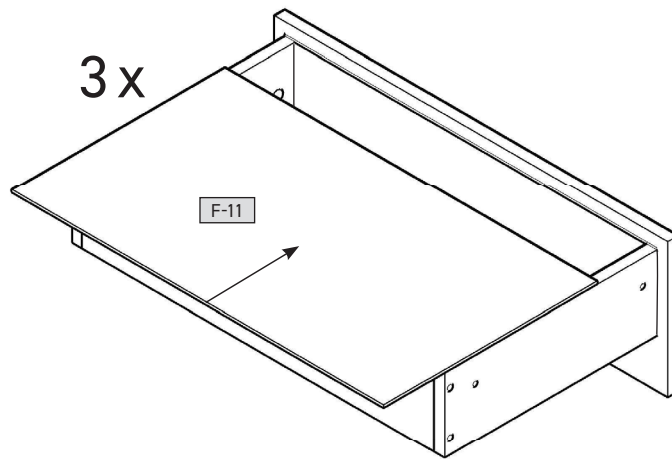
14



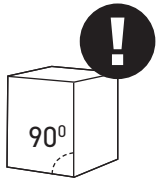
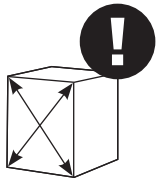
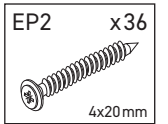
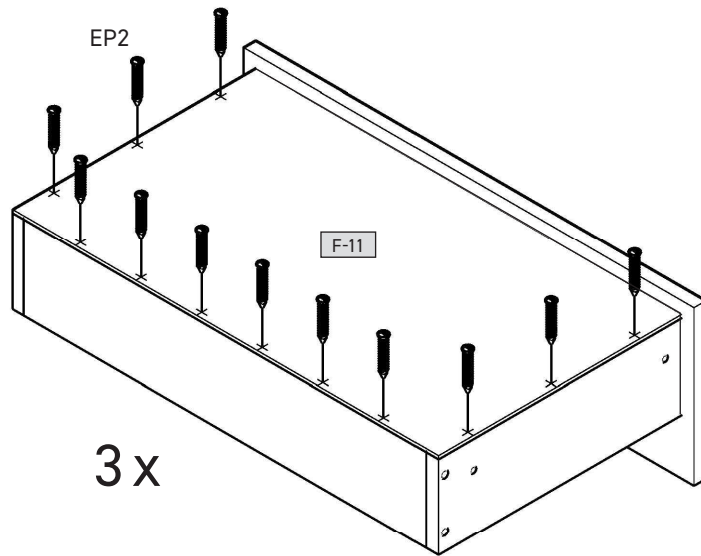
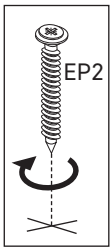
15



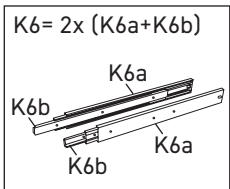
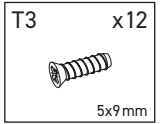
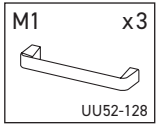
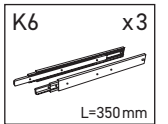
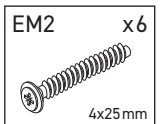
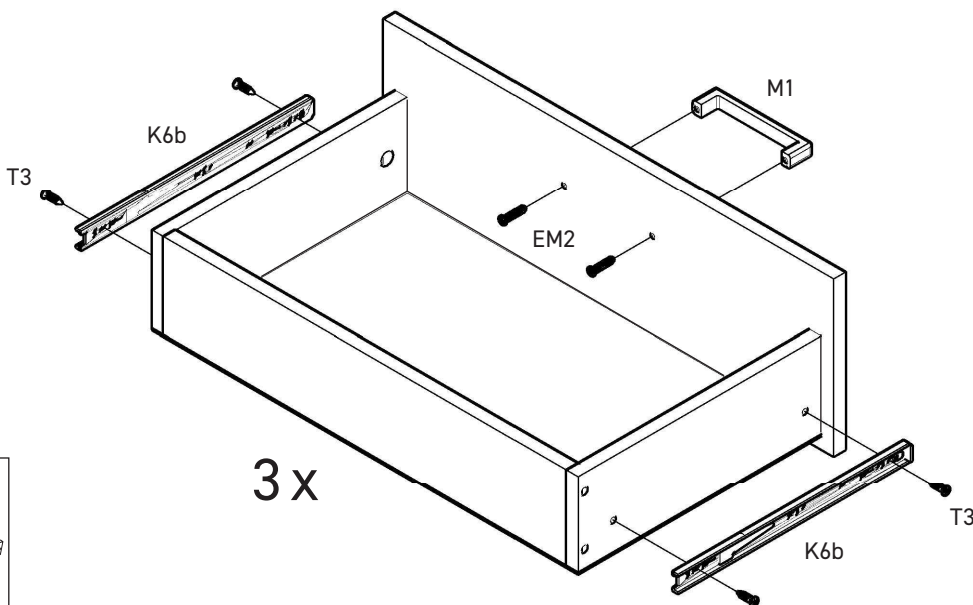
16



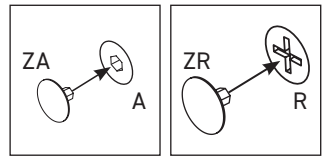
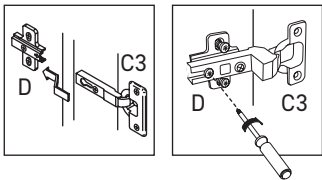
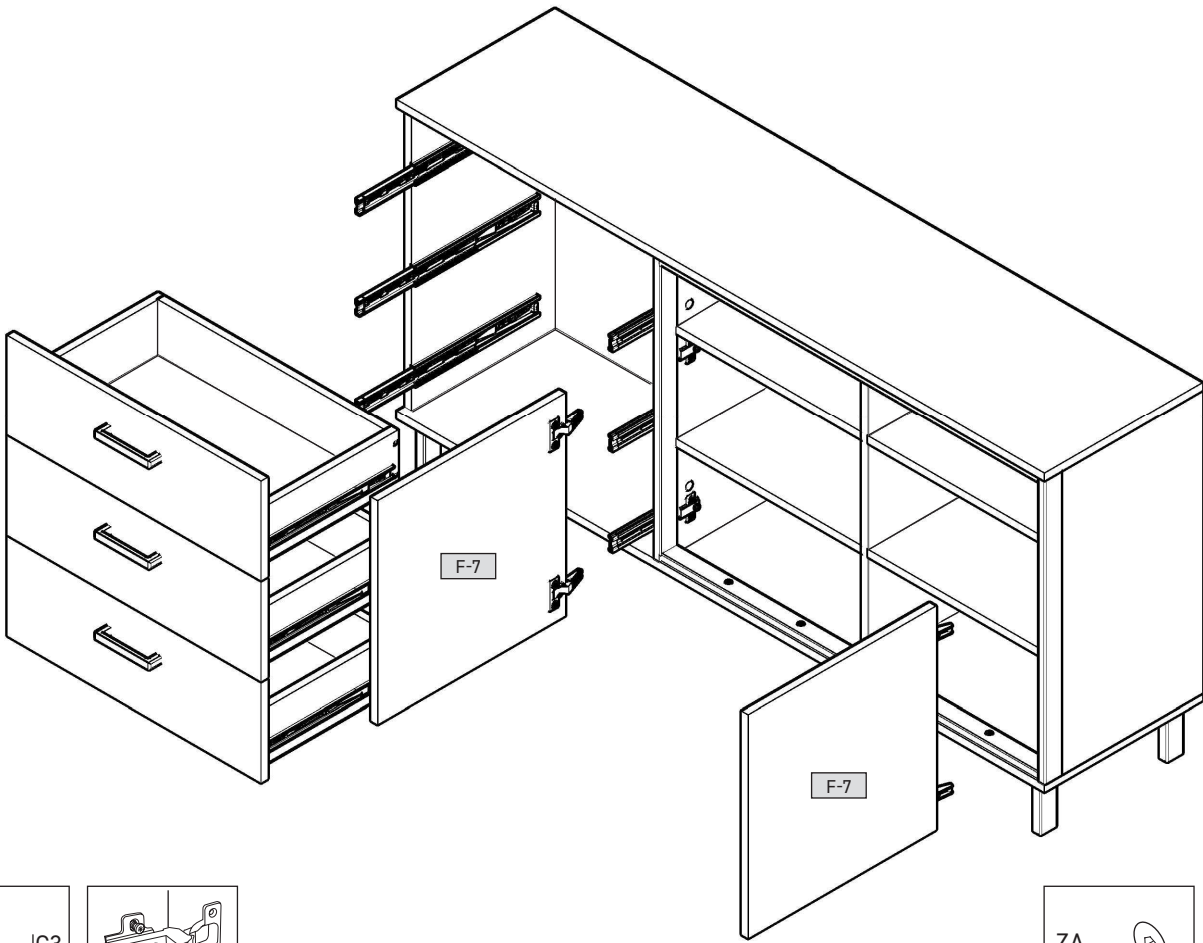
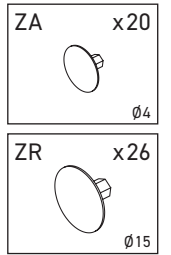
17



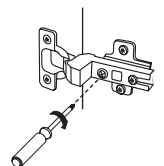
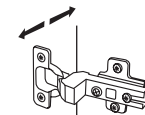
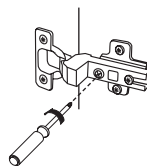
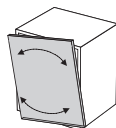
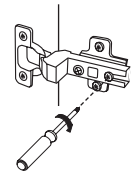
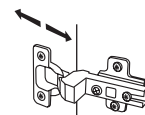
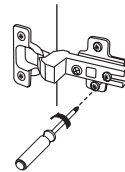
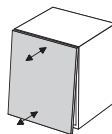
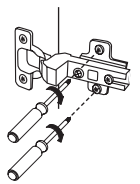
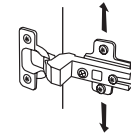
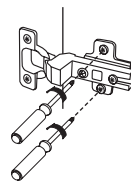
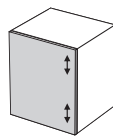
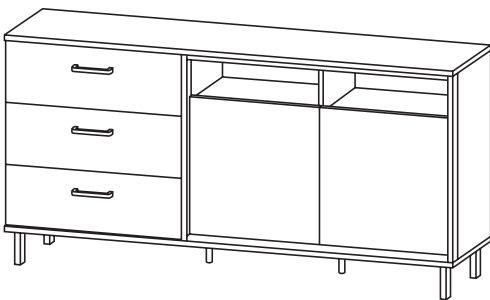
18

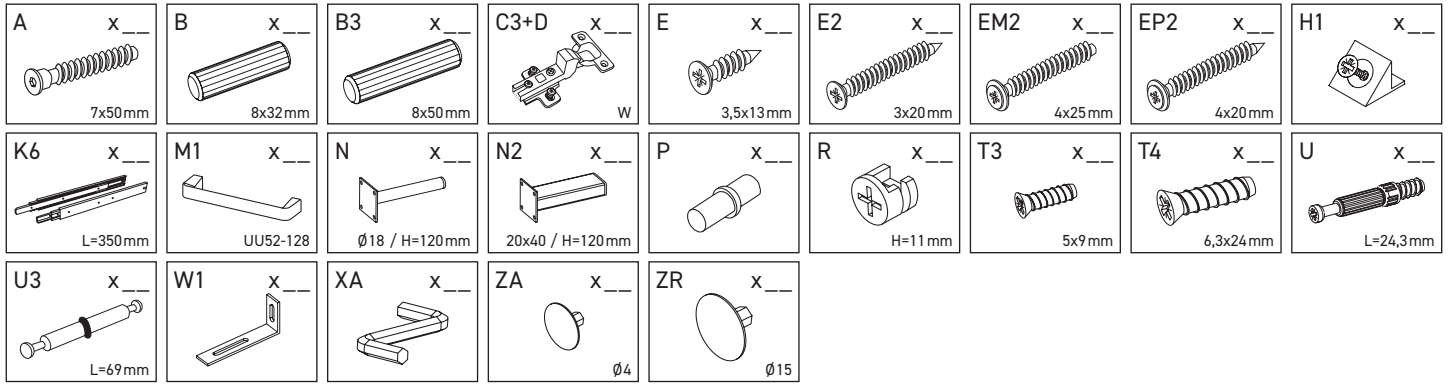


19



20





F-1a	1648	402	16	x 1	1/2
F-1b	1648	402	16	x 1	1/2
F-2	474	345	16	x 2	1/2
F-3	474	330	16	x 2	1/2
F-4	670	382	16	x 1	1/2
F-5	670	360	16	x 1	2/2
F-6a	670	345	16	x 1	2/2
F-6b	670	345	16	x 1	2/2
F-7	478	492	16	x 2	1/2
F-8	646	219	16	x 3	2/2
F-9	579	120	16	x 3	2/2
F-10a	350	120	16	x 3	1/2
F-10b	350	120	16	x 3	1/2
F-11	609	356	3	x 3	2/2
F-12	670	40	16	x 2	1/2
F-13	964	38	16	x 2	1/2
F-14	684	1629	3	x 1	1/2

