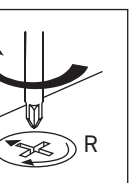
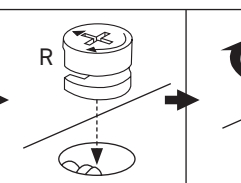
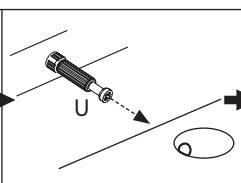
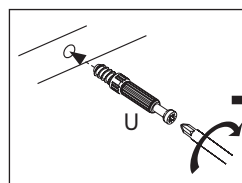
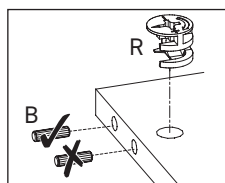
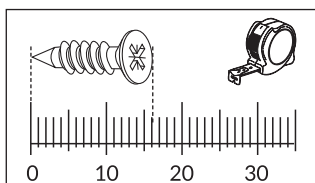
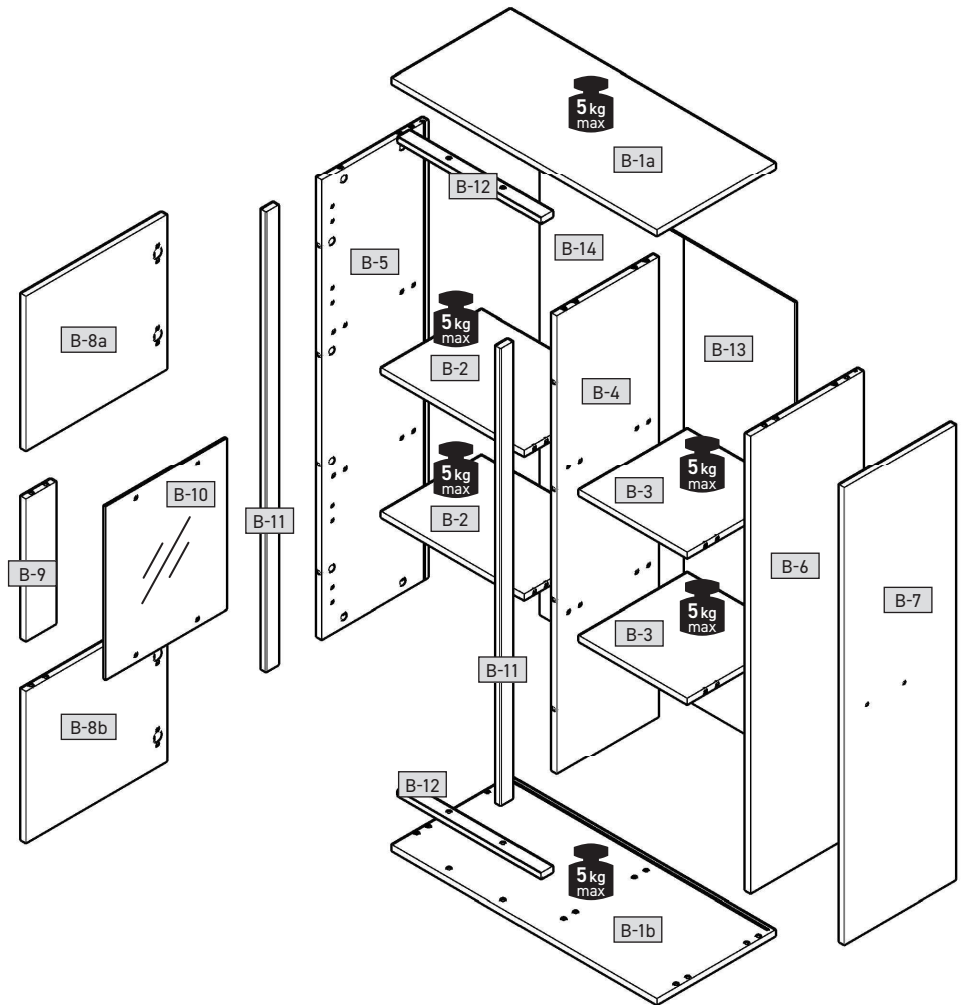
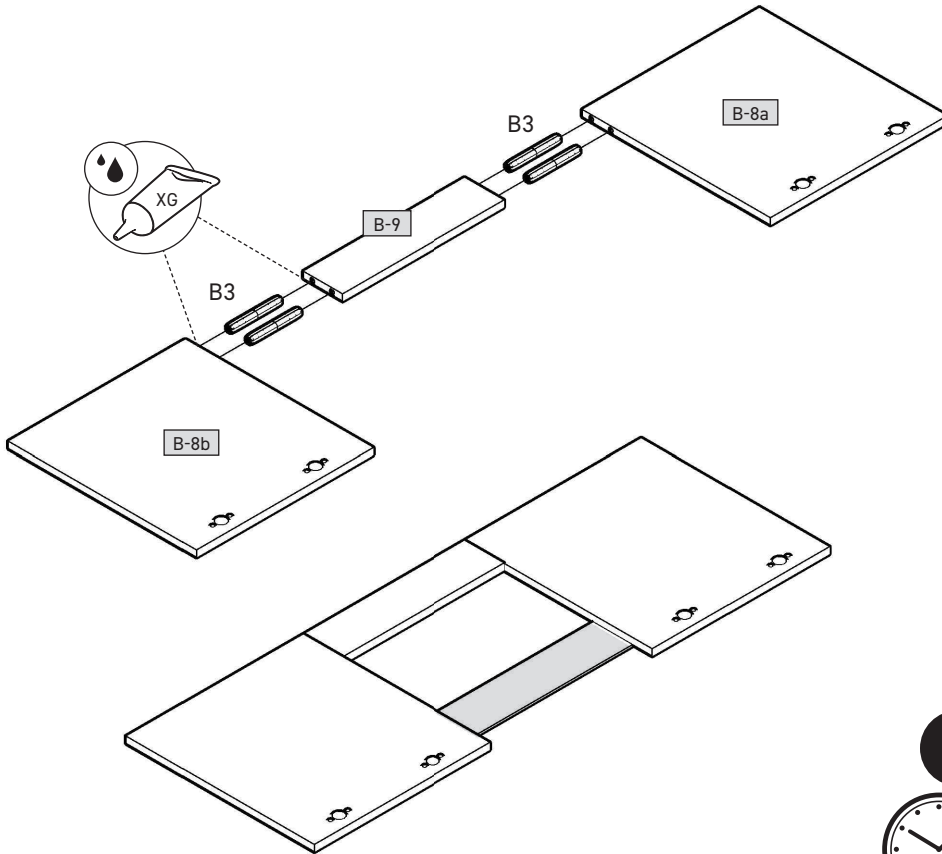


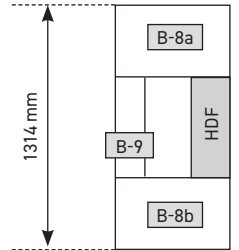
B-1a	900	402	16	x 1	1/1
B-1b	900	402	16	x 1	1/1
B-2	484	340	16	x 2	1/1
B-3	367	367	16	x 2	1/1
B-4	1352	345	16	x 1	1/1
B-5	1352	360	16	x 1	1/1
B-6	1352	382	16	x 1	1/1
B-7	378	1346	16	x 1	1/1
B-8a	478	450	16	x 1	1/1
B-8b	478	450	16	x 1	1/1
B-9	414	100	16	x 1	1/1
B-10	504	410	4	x 1	1/1
B-11	1352	40	16	x 2	1/1
B-12	484	38	16	x 2	1/1
B-13	382	1366	3	x 1	1/1
B-14	498	1366	3	x 1	1/1



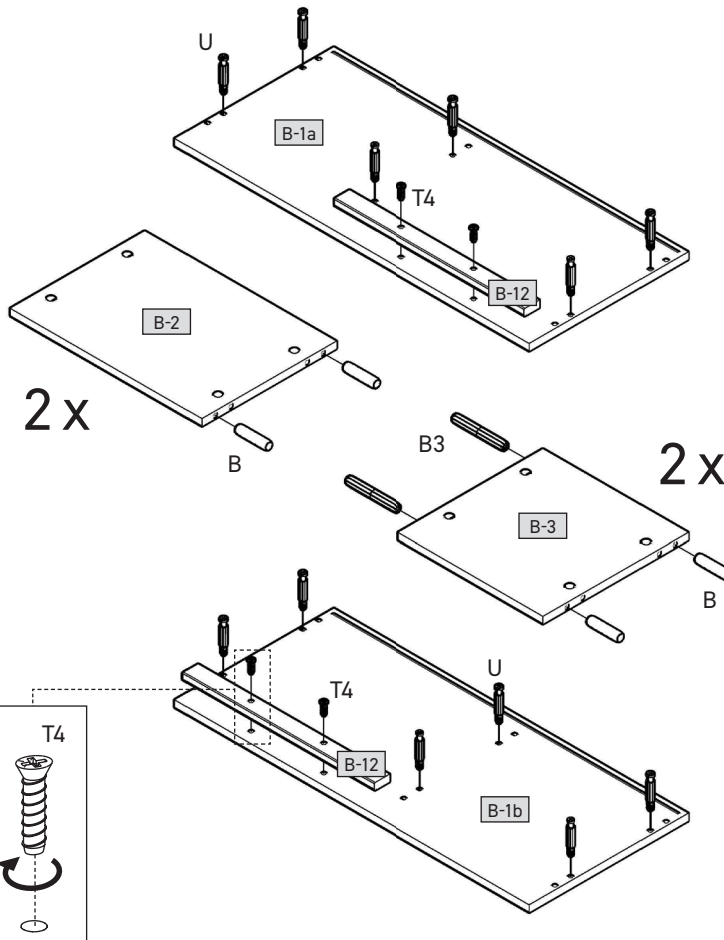
1



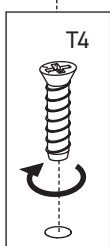
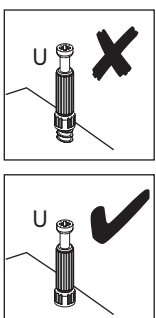
- B3** x4
8x50mm
- HDF** x1
414x100mm
- XG** x1



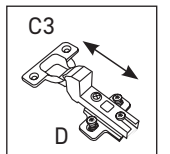
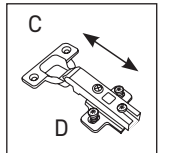
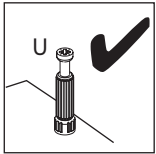
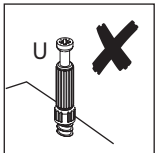
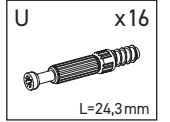
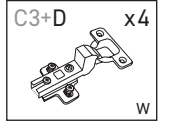
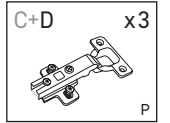
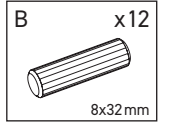
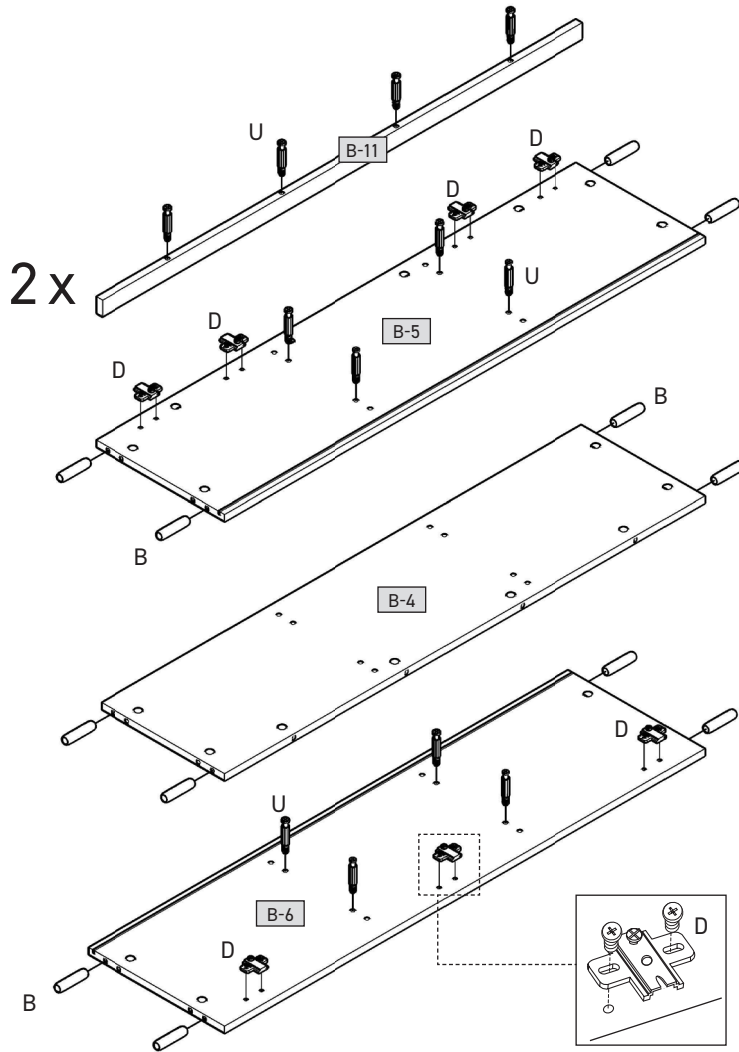
2



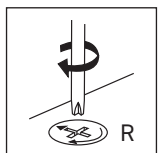
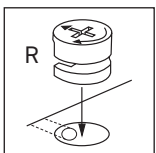
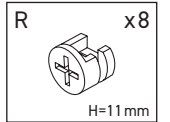
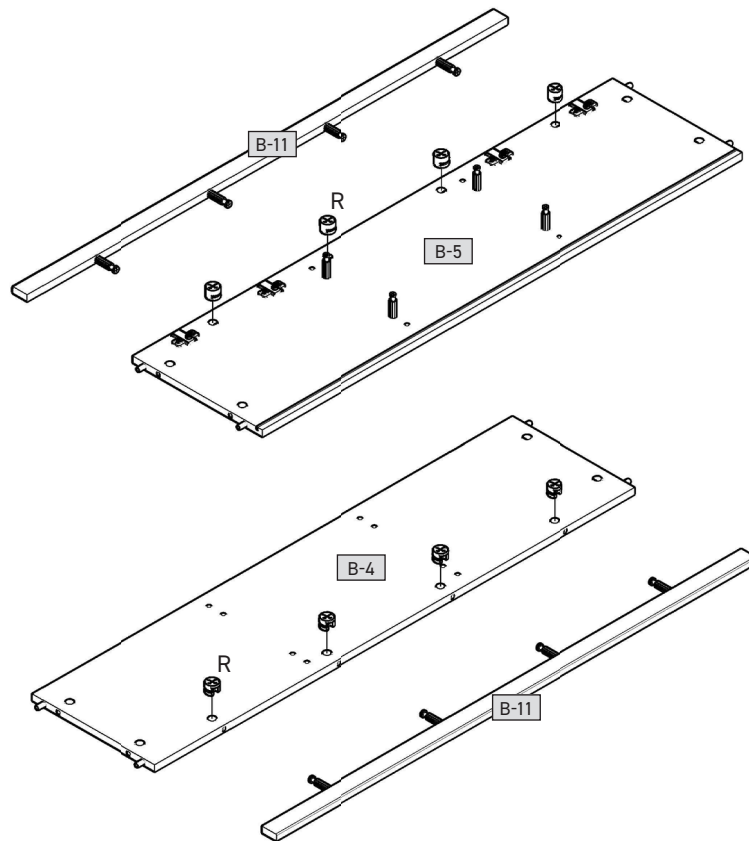
- B** x8
8x32mm
- B3** x4
8x50mm
- T4** x4
6,3x24mm
- U** x12
L=24,3mm



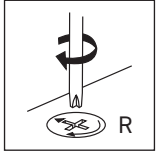
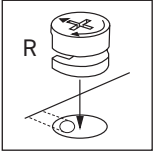
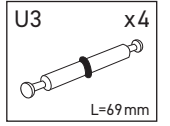
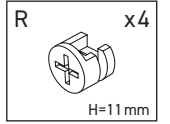
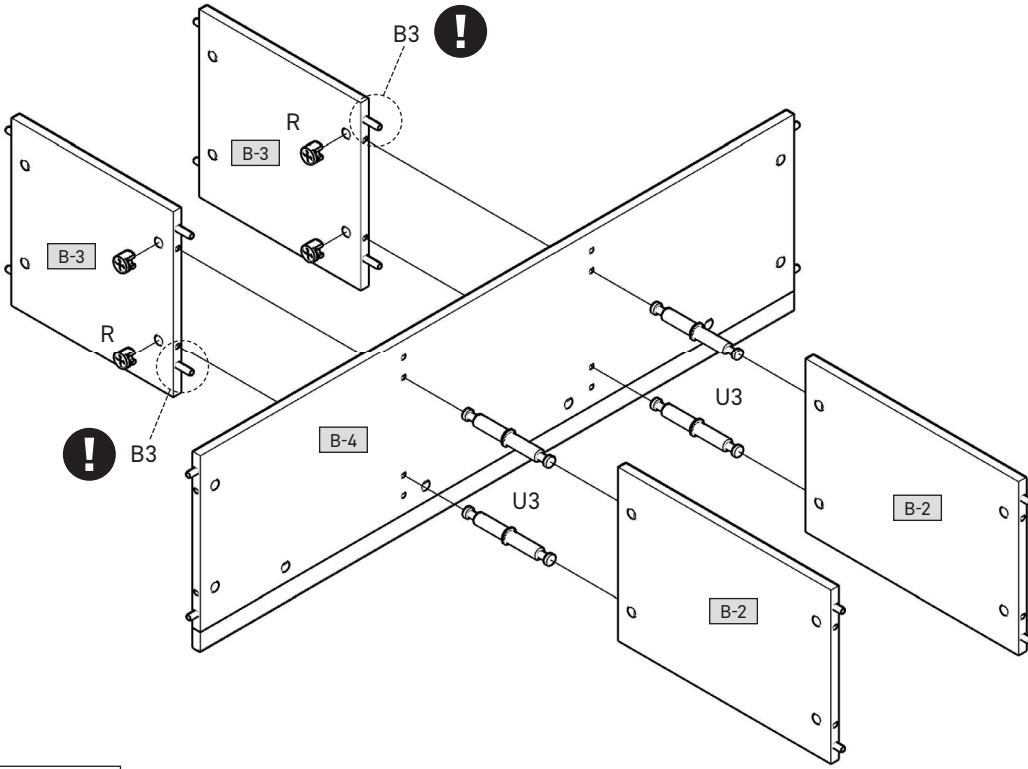
3



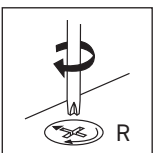
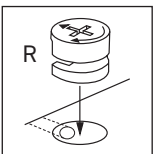
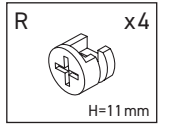
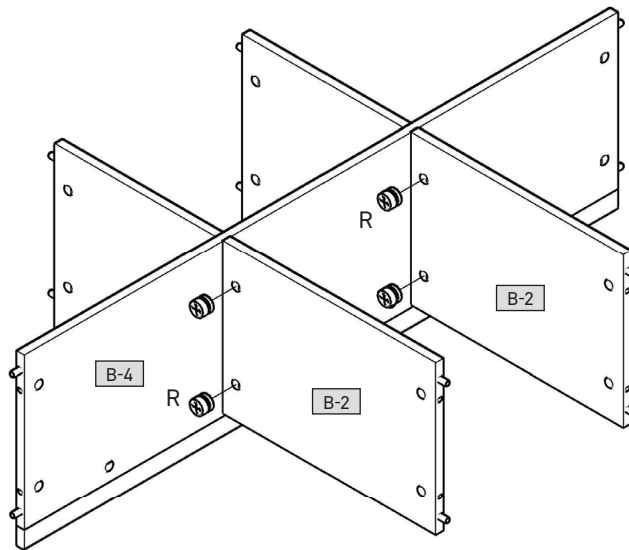
4



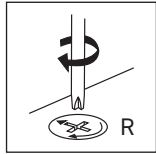
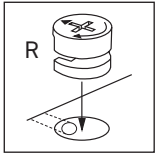
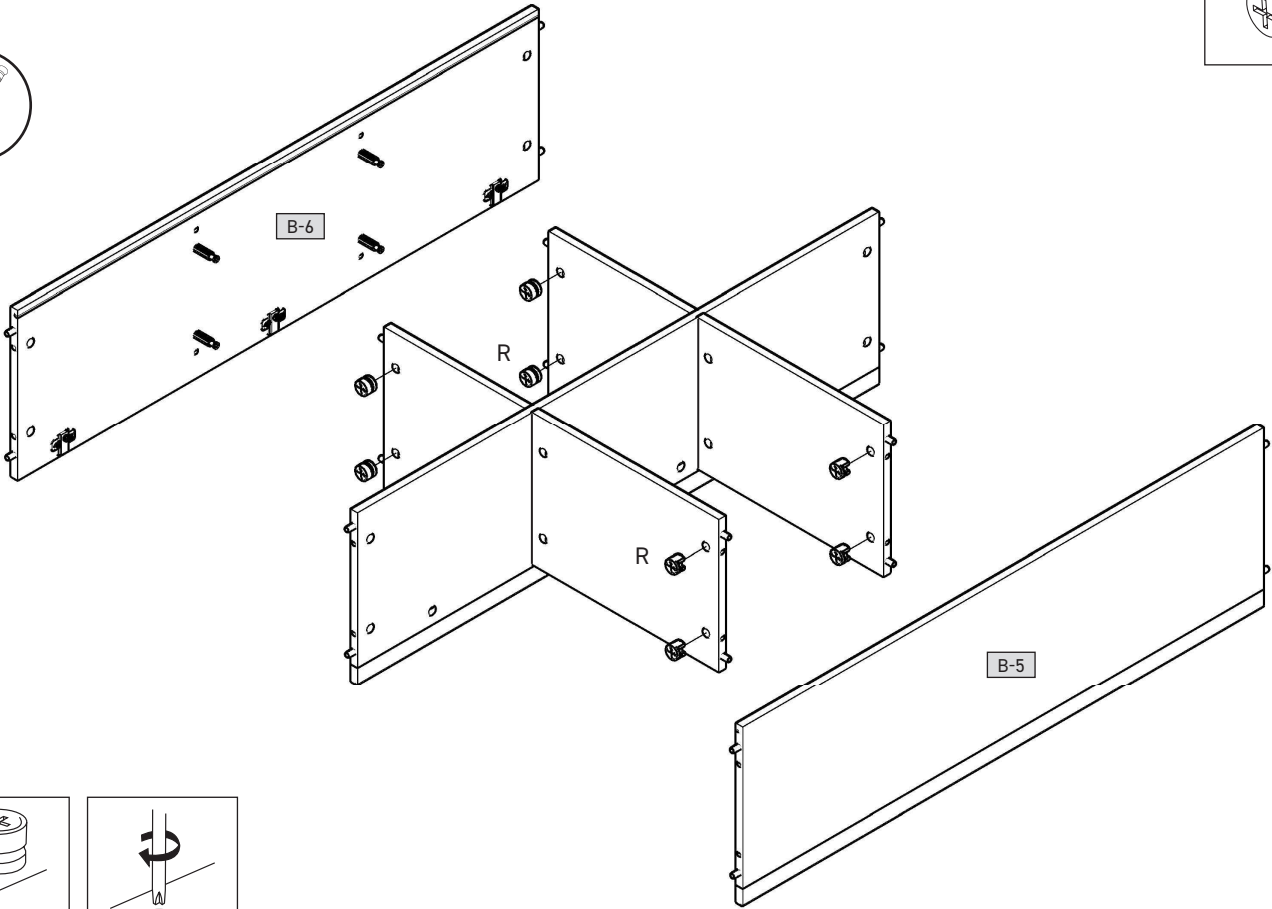
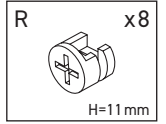
5



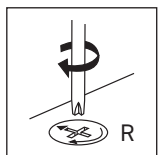
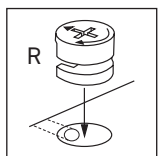
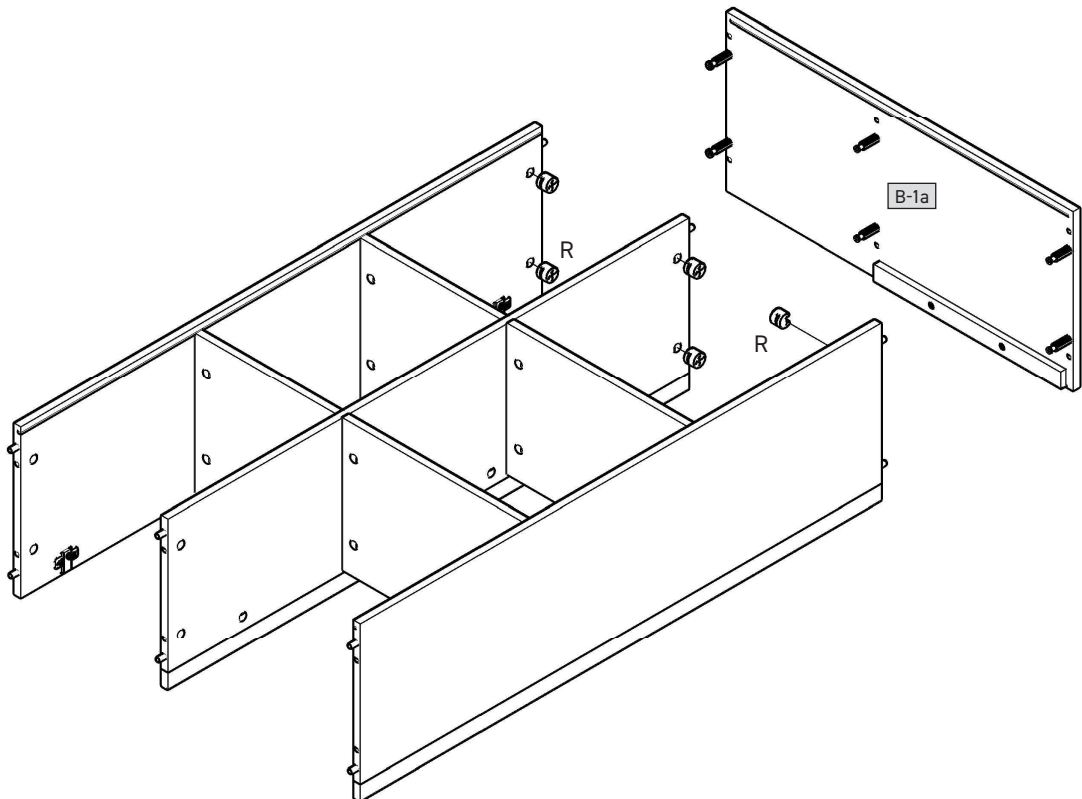
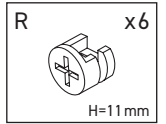
6



7



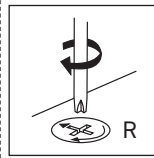
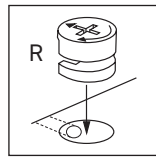
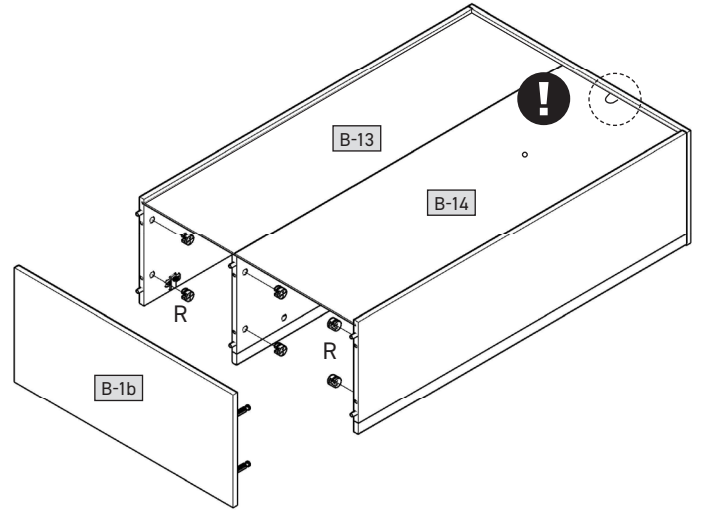
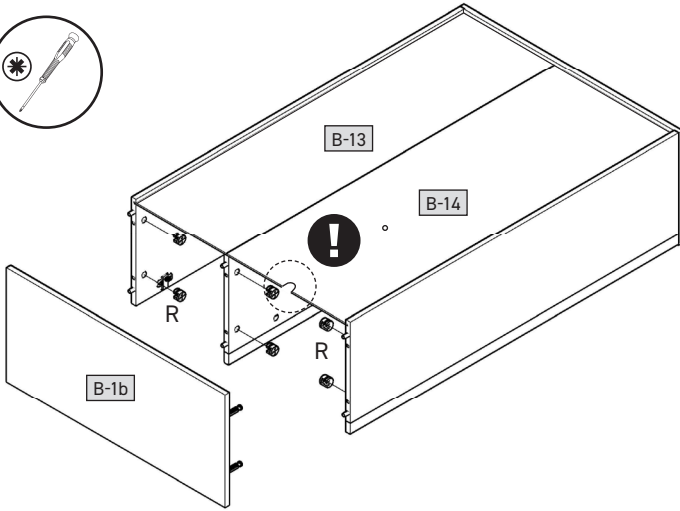
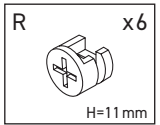
8



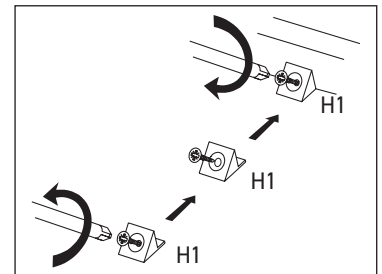
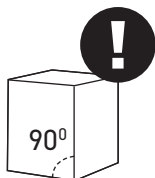
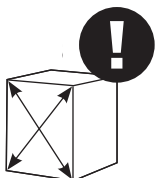
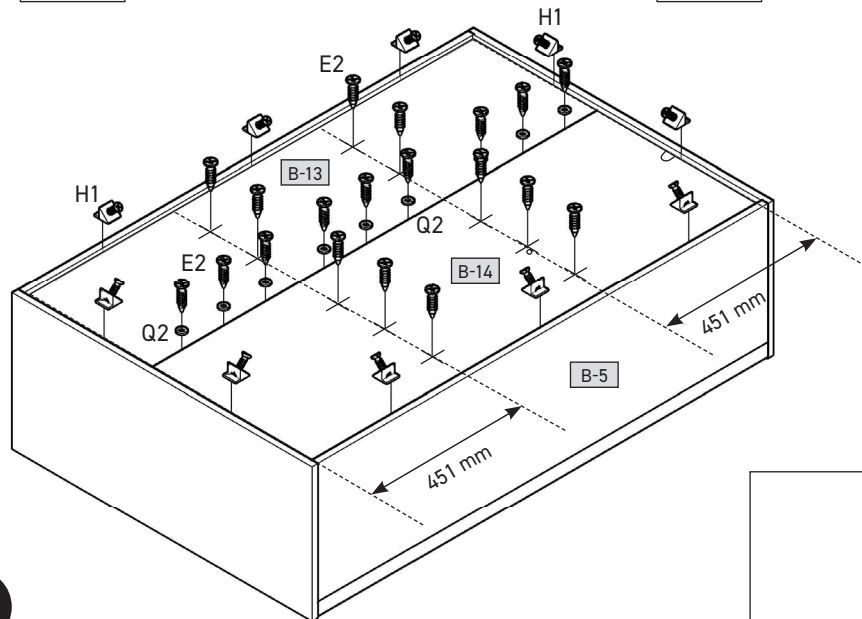
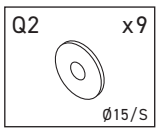
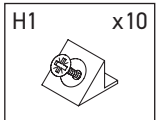
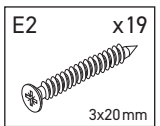
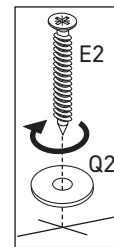
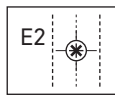
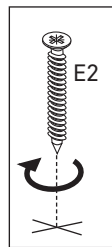
9 L



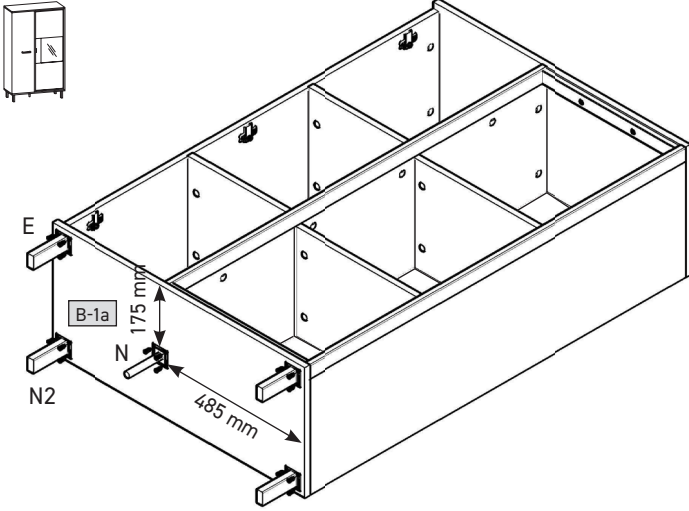
9 R



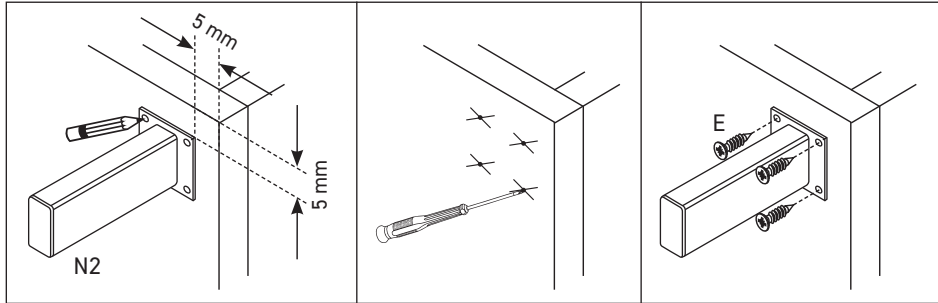
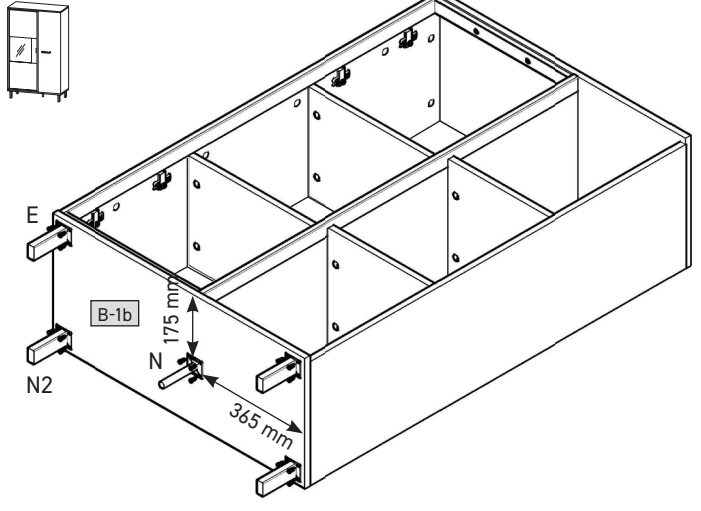
10



11 L

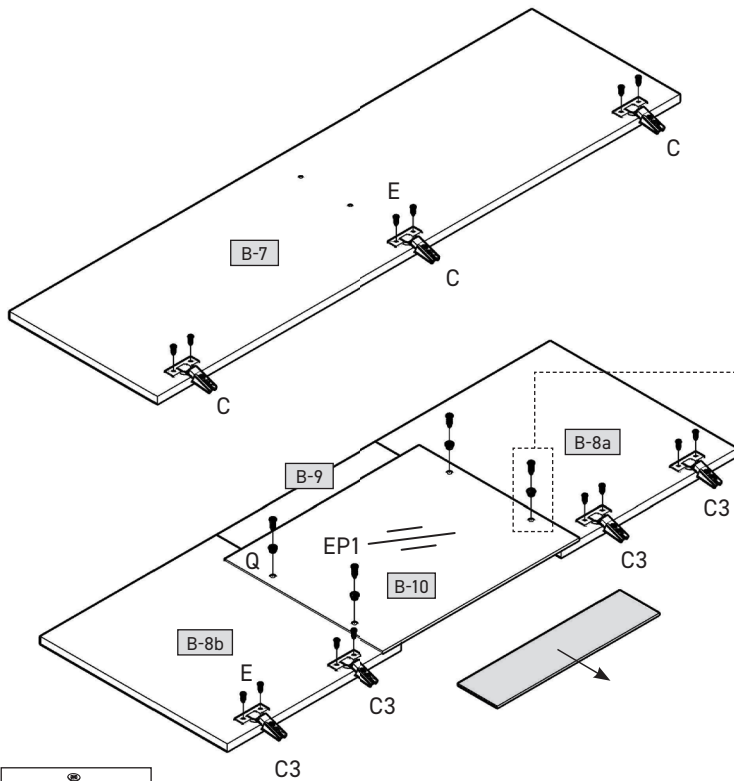
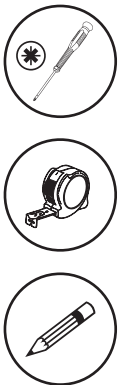


11 R

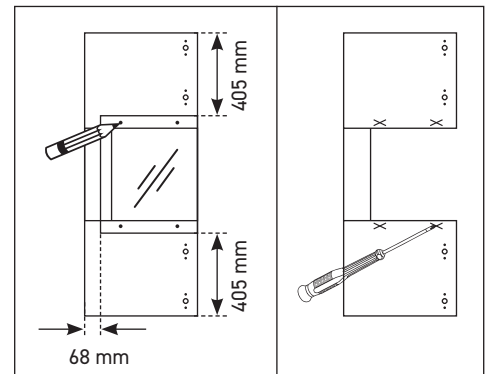
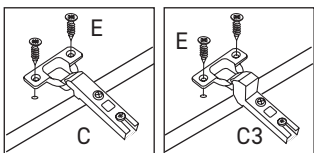


- E** x20
3,5x13mm
- N** x1
Ø18 / H=120mm
- N2** x4
20x40 / H=120mm

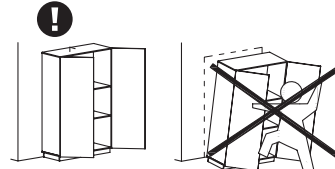
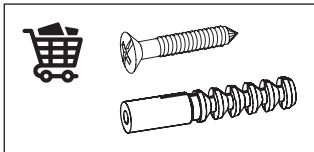
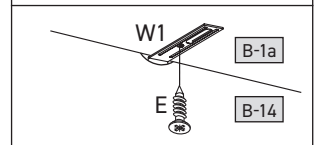
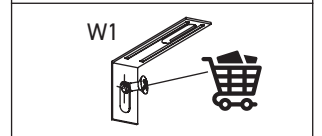
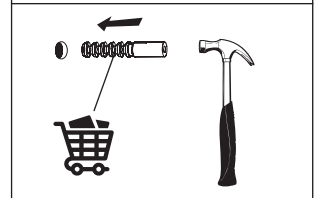
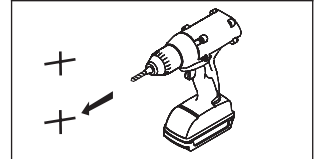
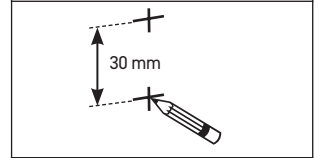
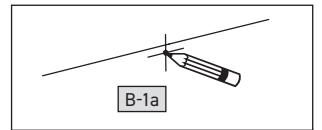
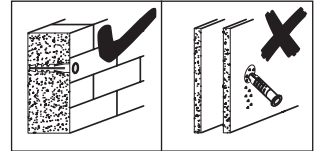
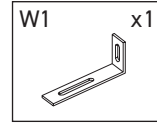
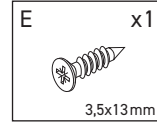
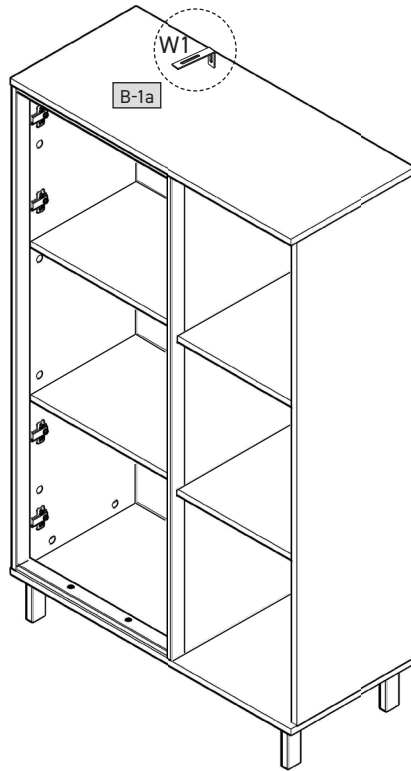
12



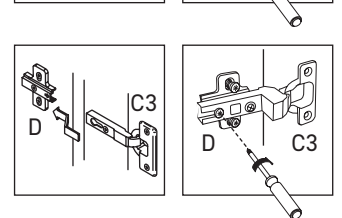
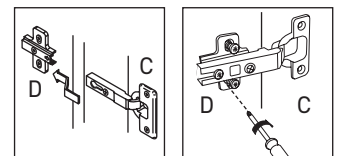
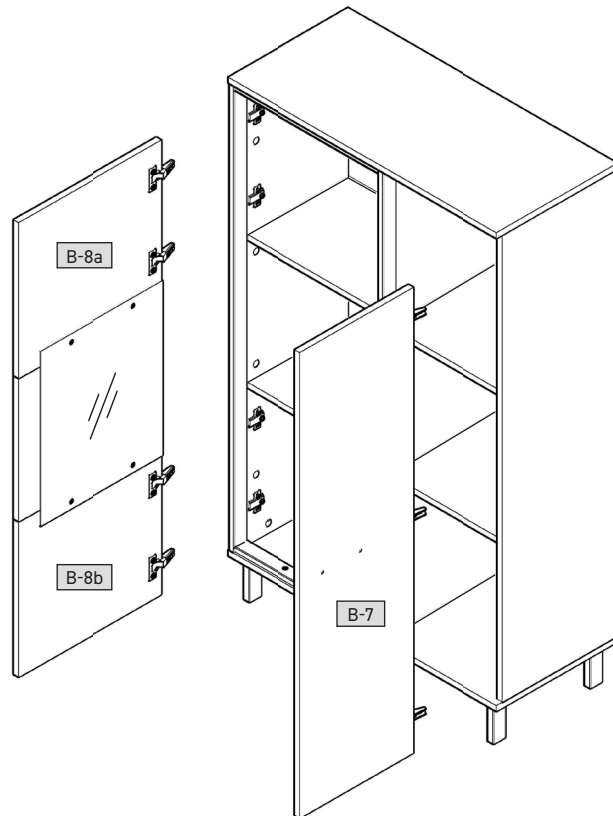
- C+D** x3
P
- C3+D** x4
W
- E** x14
3,5x13mm
- EP1** x4
4x16mm
- Q** x4
Ø8



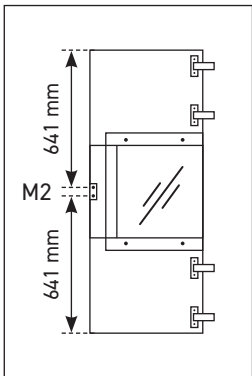
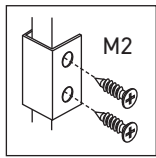
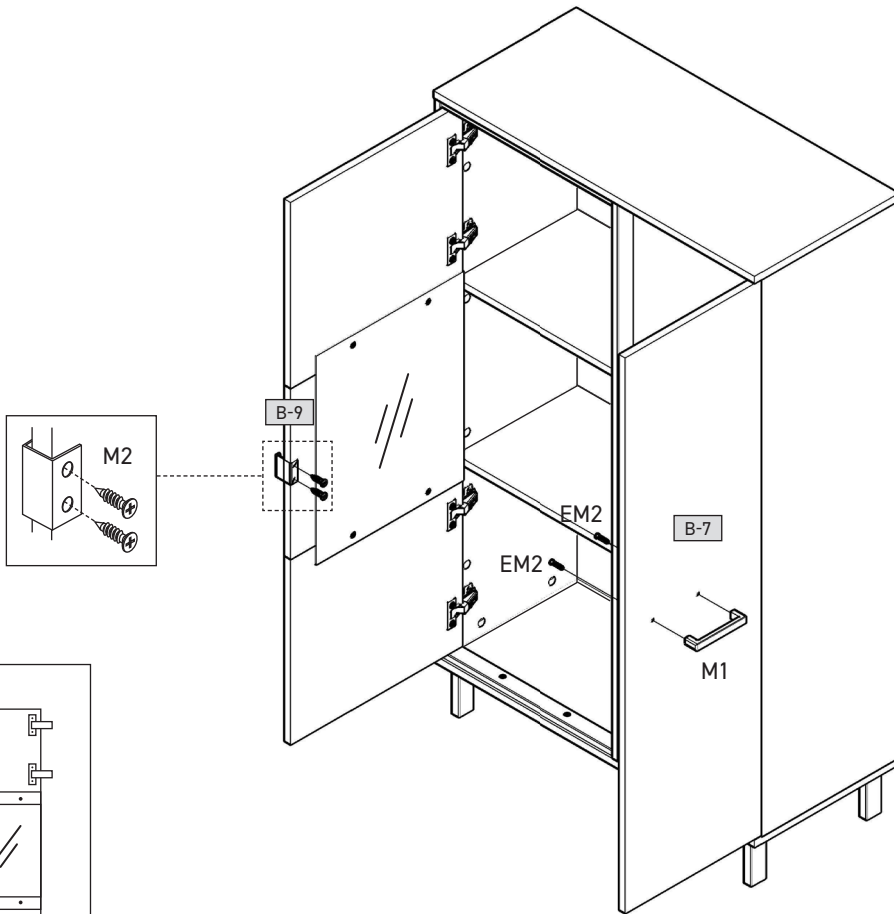
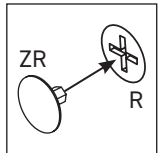
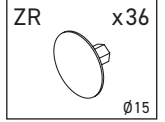
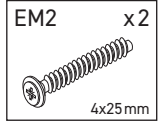
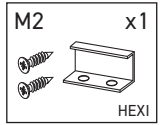
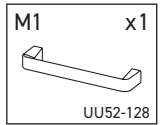
13



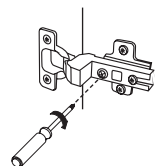
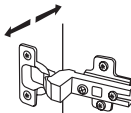
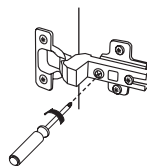
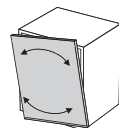
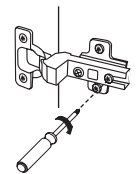
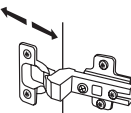
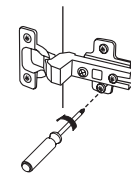
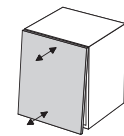
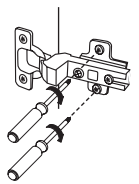
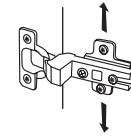
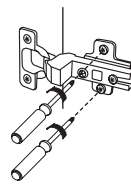
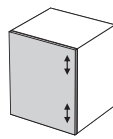
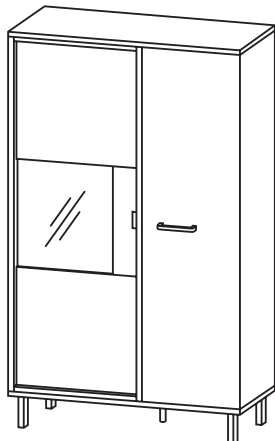
14

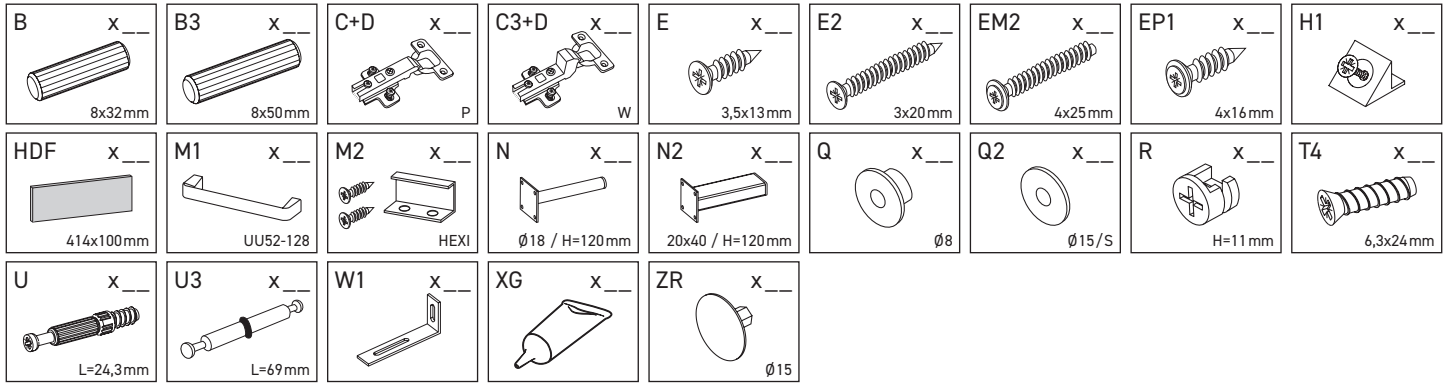


15



16





B-1a	900	402	16	x 1	1/1
B-1b	900	402	16	x 1	1/1
B-2	484	340	16	x 2	1/1
B-3	367	367	16	x 2	1/1
B-4	1352	345	16	x 1	1/1
B-5	1352	360	16	x 1	1/1
B-6	1352	382	16	x 1	1/1
B-7	378	1346	16	x 1	1/1
B-8a	478	450	16	x 1	1/1
B-8b	478	450	16	x 1	1/1
B-9	414	100	16	x 1	1/1
B-10	504	410	4	x 1	1/1
B-11	1352	40	16	x 2	1/1
B-12	484	38	16	x 2	1/1
B-13	382	1366	3	x 1	1/1
B-14	498	1366	3	x 1	1/1

