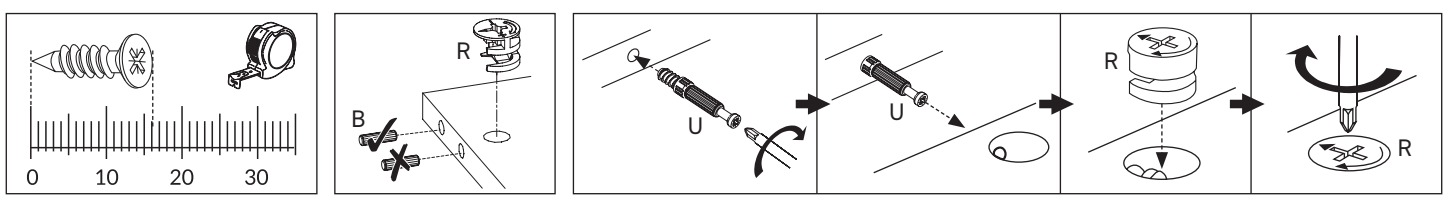
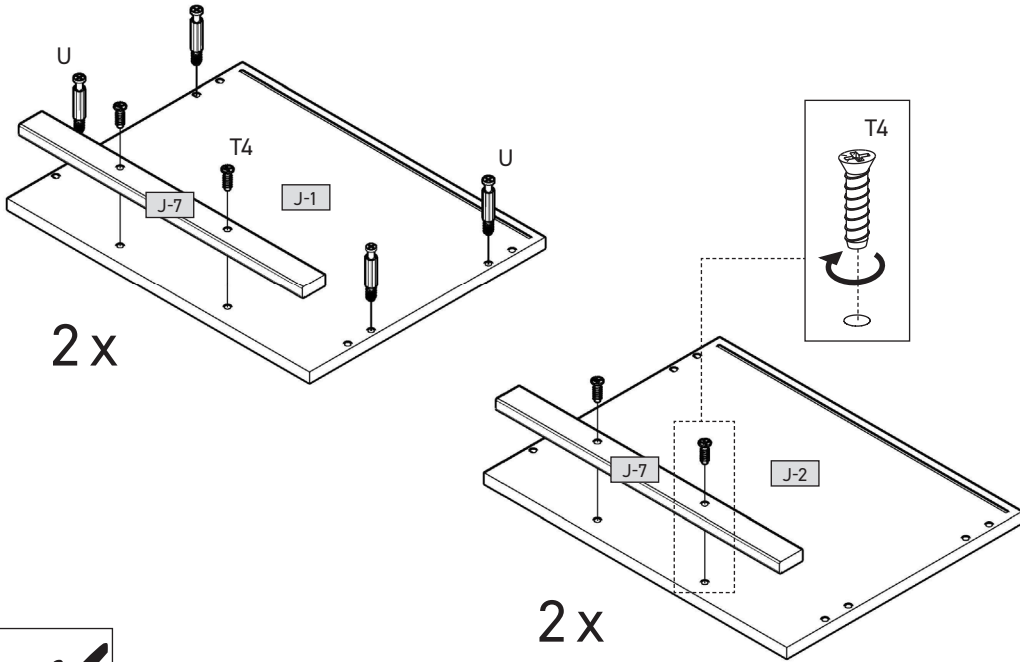


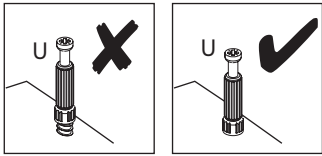
J-1	517	402	16	x 2	1/1
J-2	517	402	16	x 2	1/1
J-3	250	360	16	x 2	1/1
J-4	250	360	16	x 2	1/1
J-5	496	264	3	x 2	1/1
J-6	250	40	16	x 4	1/1
J-7	484	38	16	x 4	1/1
J-8	478	187	16	x 2	1/1
J-9	428	100	16	x 2	1/1
J-10	340	100	16	x 2	1/1
J-11	340	100	16	x 2	1/1
J-12	458	346	3	x 2	1/1



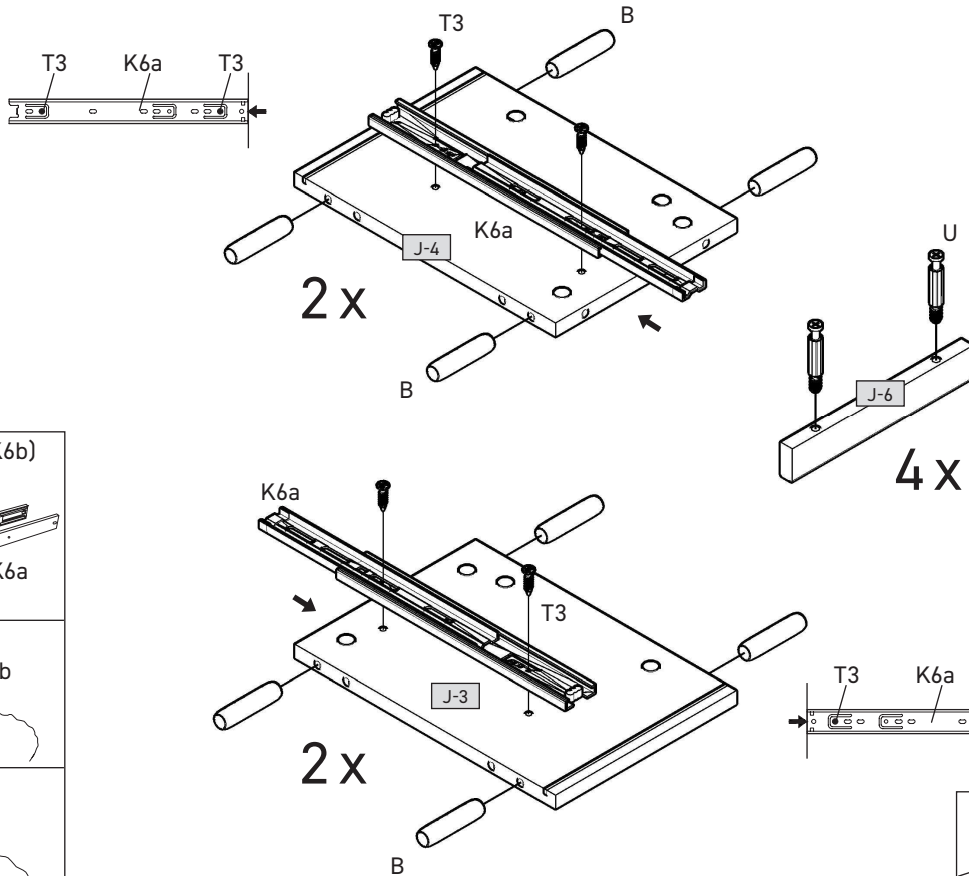
1



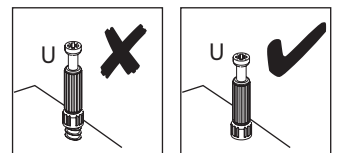
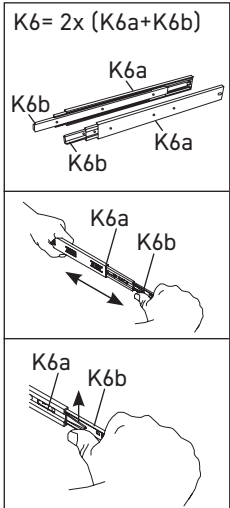
T4	x8
6,3x24mm	
U	x8
L=24,3mm	



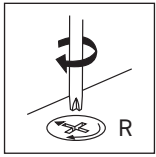
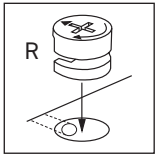
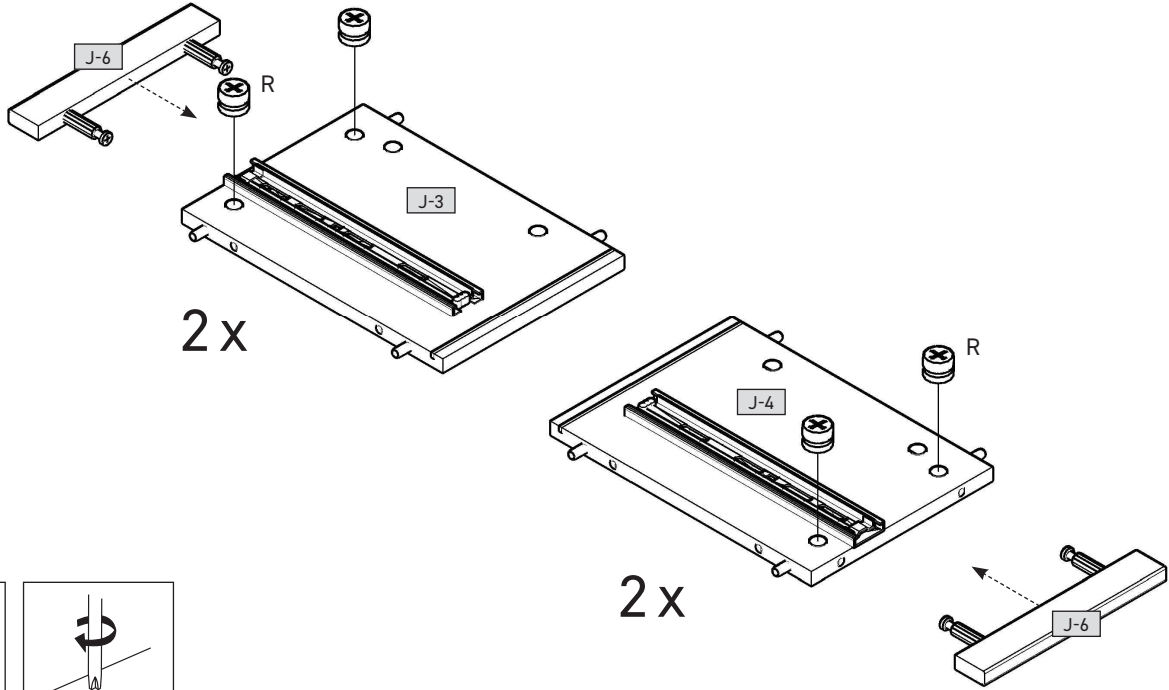
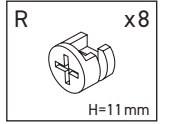
2



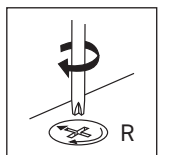
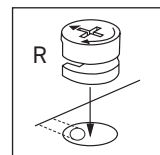
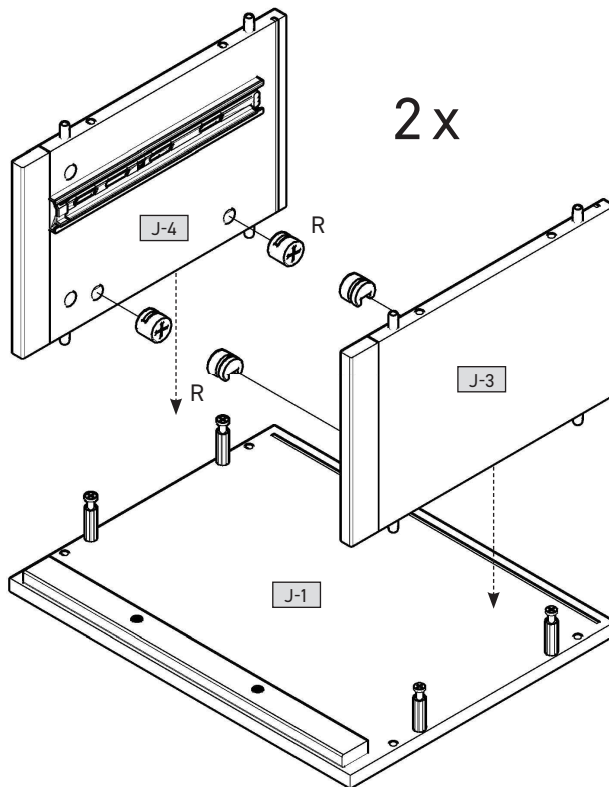
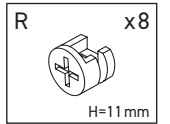
B	x16
8x32mm	
K6	x2
L=300mm	
T3	x8
5x9mm	
U	x8
L=24,3mm	



3

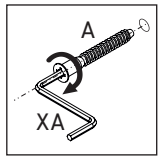
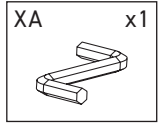
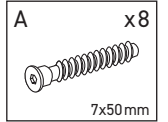
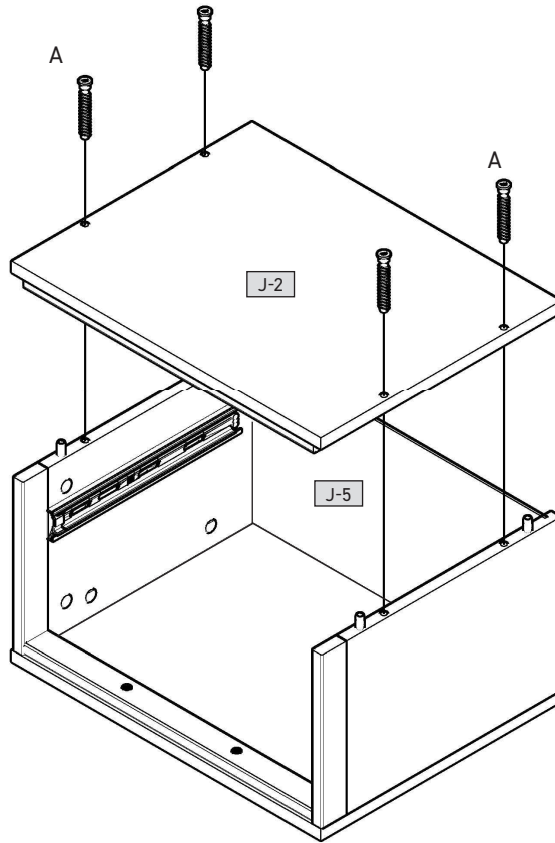


4



5

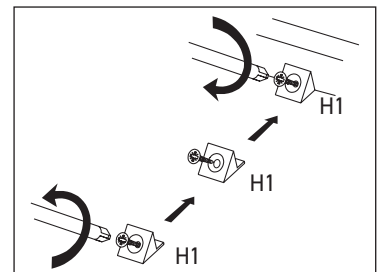
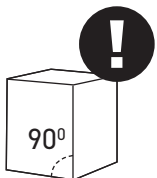
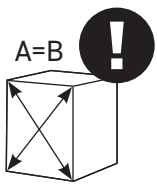
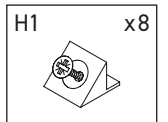
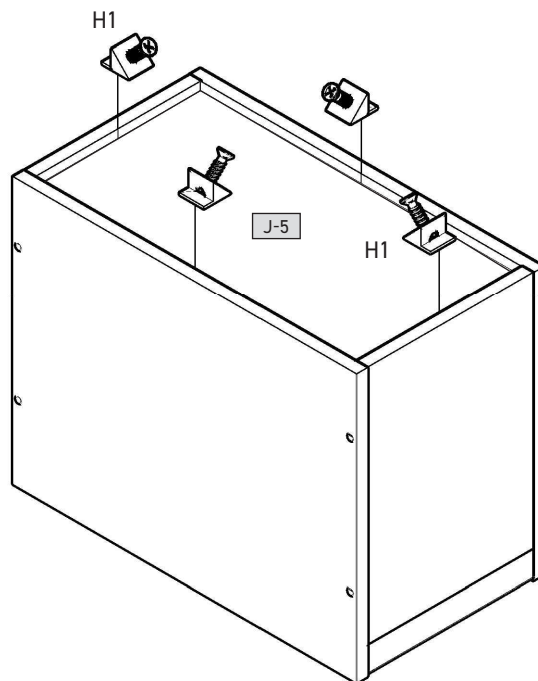
2x



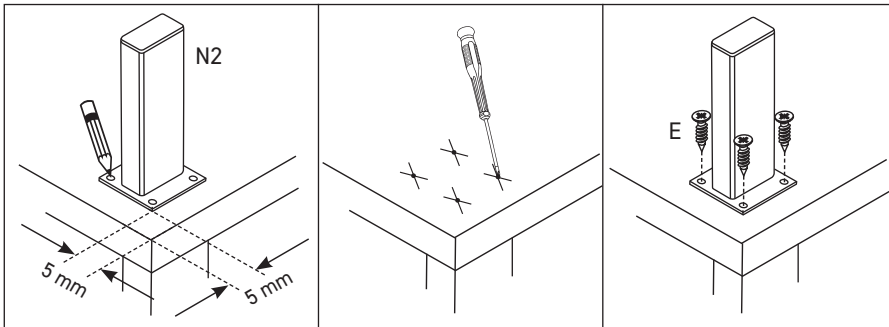
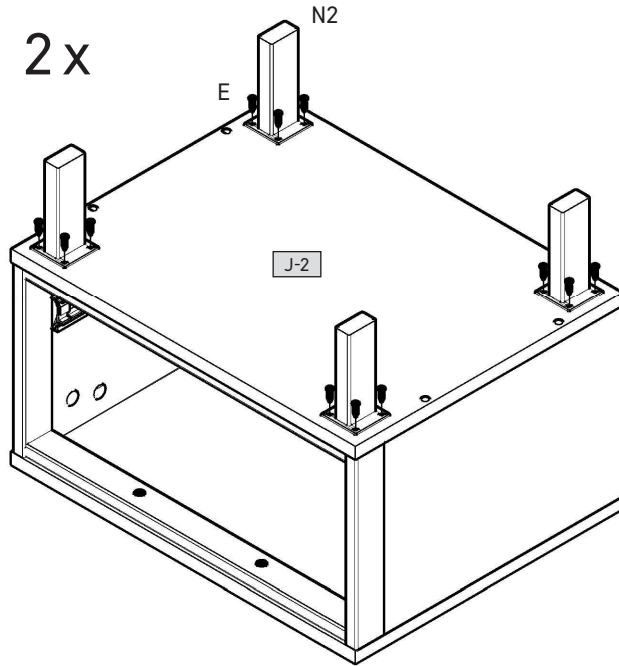
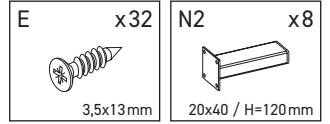
6



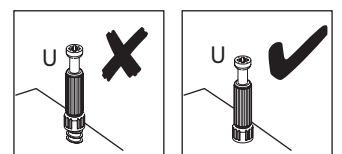
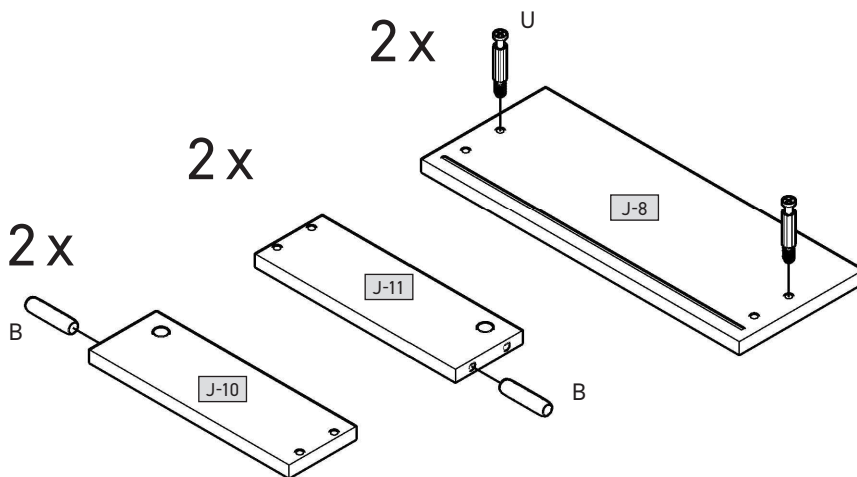
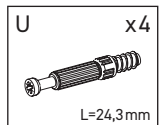
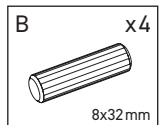
2x



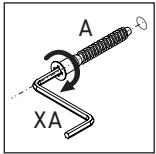
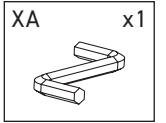
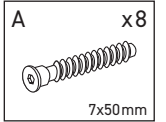
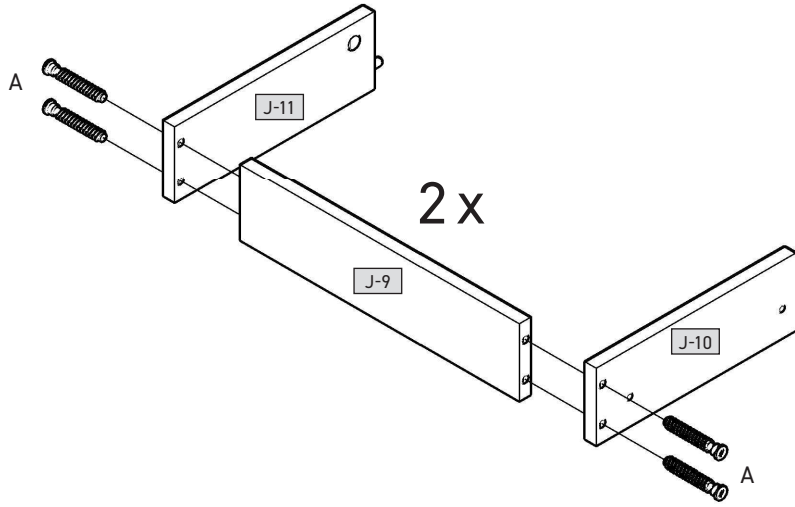
7



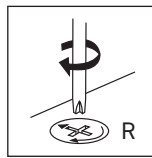
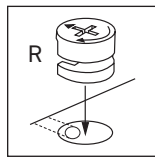
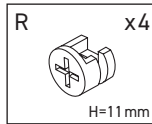
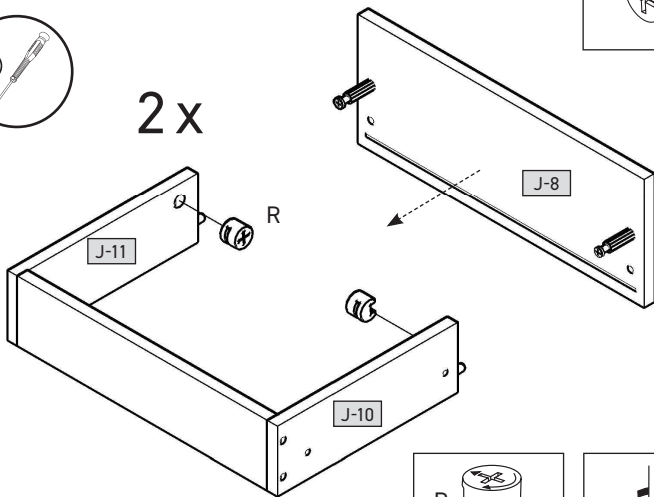
8



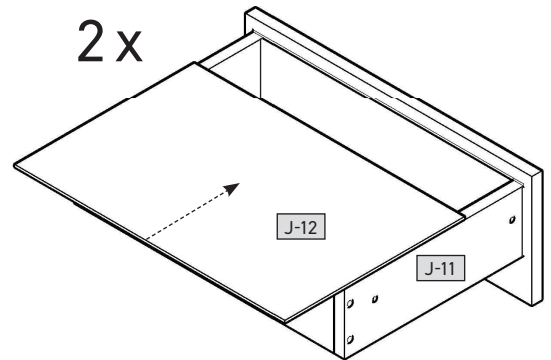
9



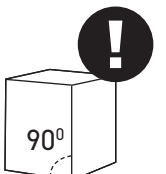
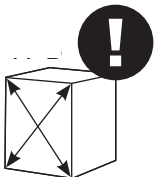
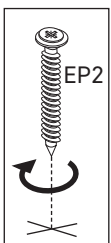
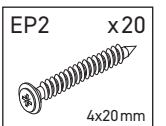
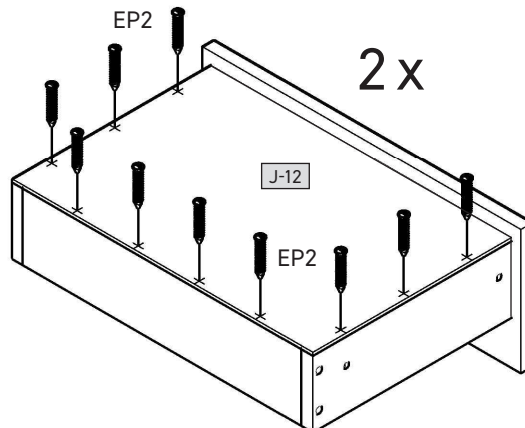
10



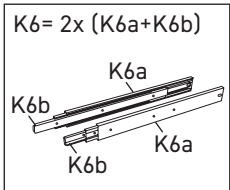
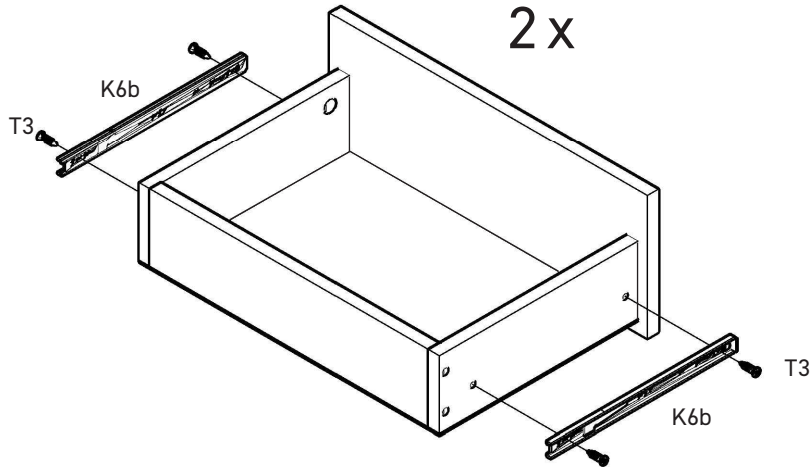
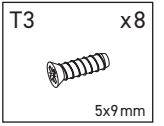
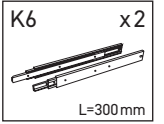
11



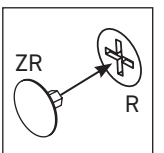
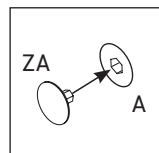
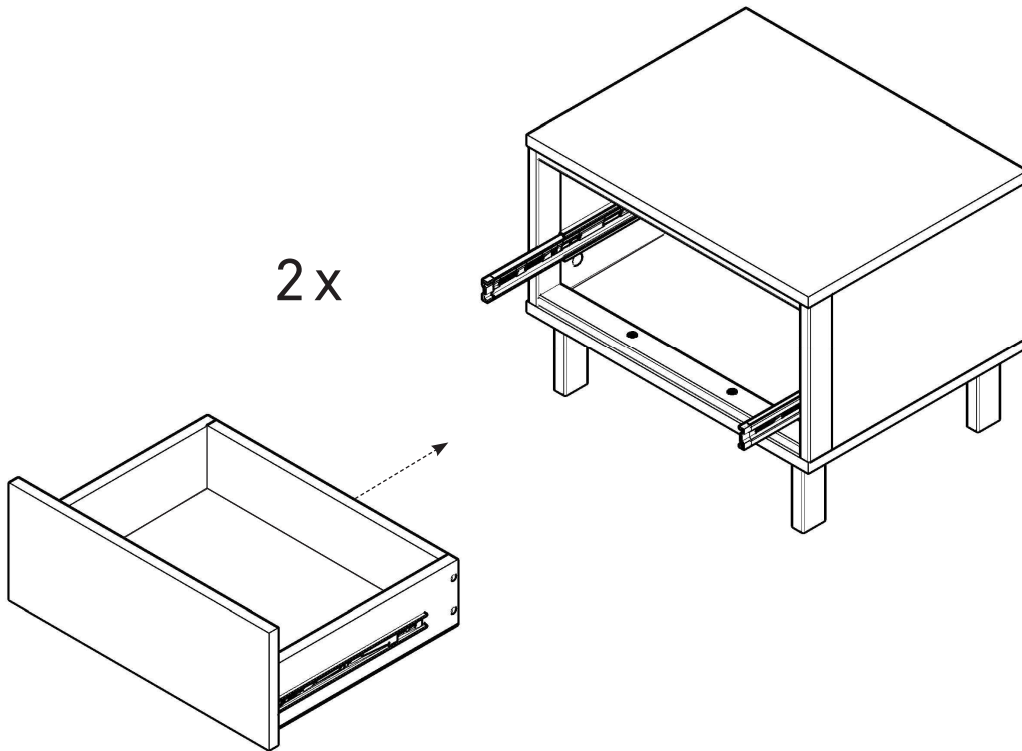
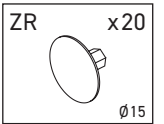
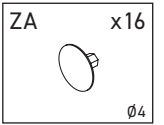
12

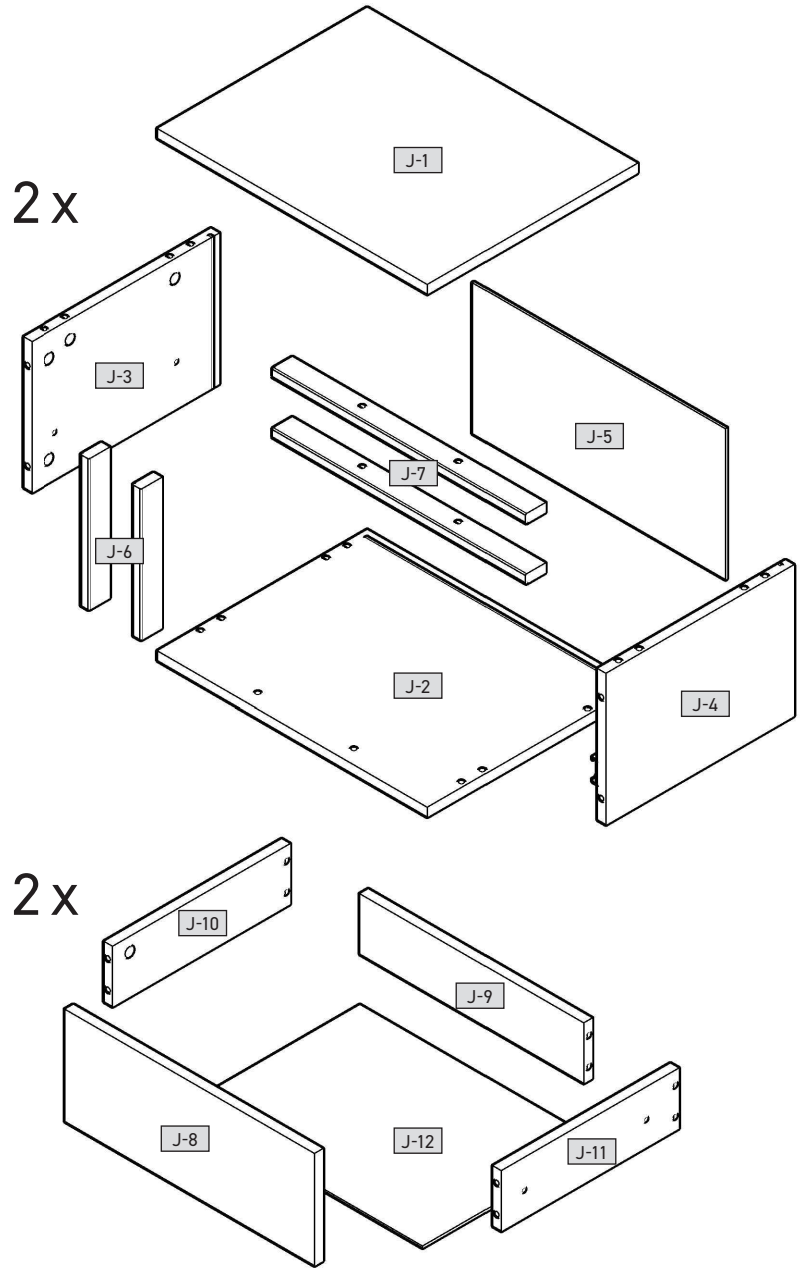
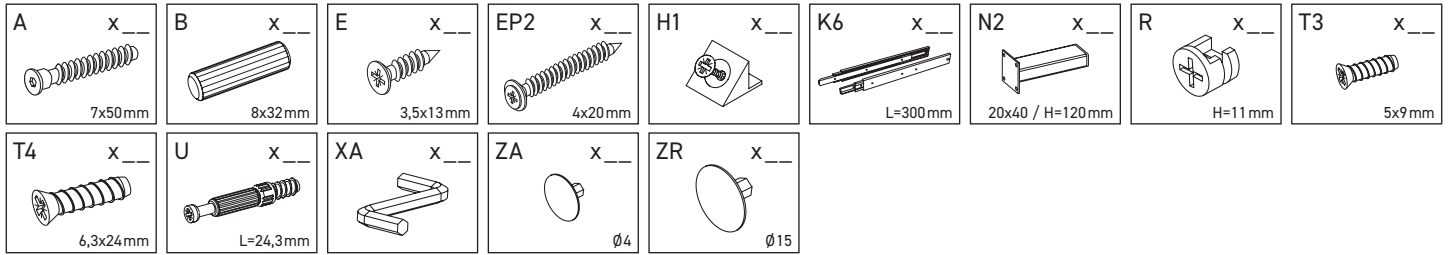


13



14





J-1	517	402	16	x 2	1/1
J-2	517	402	16	x 2	1/1
J-3	250	360	16	x 2	1/1
J-4	250	360	16	x 2	1/1
J-5	496	264	3	x 2	1/1
J-6	250	40	16	x 4	1/1
J-7	484	38	16	x 4	1/1
J-8	478	187	16	x 2	1/1
J-9	428	100	16	x 2	1/1
J-10	340	100	16	x 2	1/1
J-11	340	100	16	x 2	1/1
J-12	458	346	3	x 2	1/1

