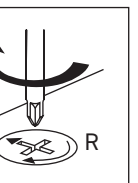
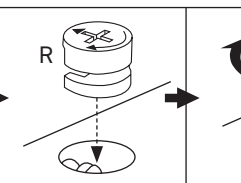
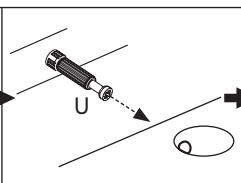
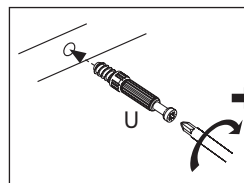
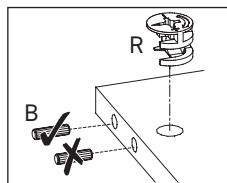
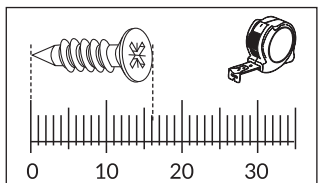
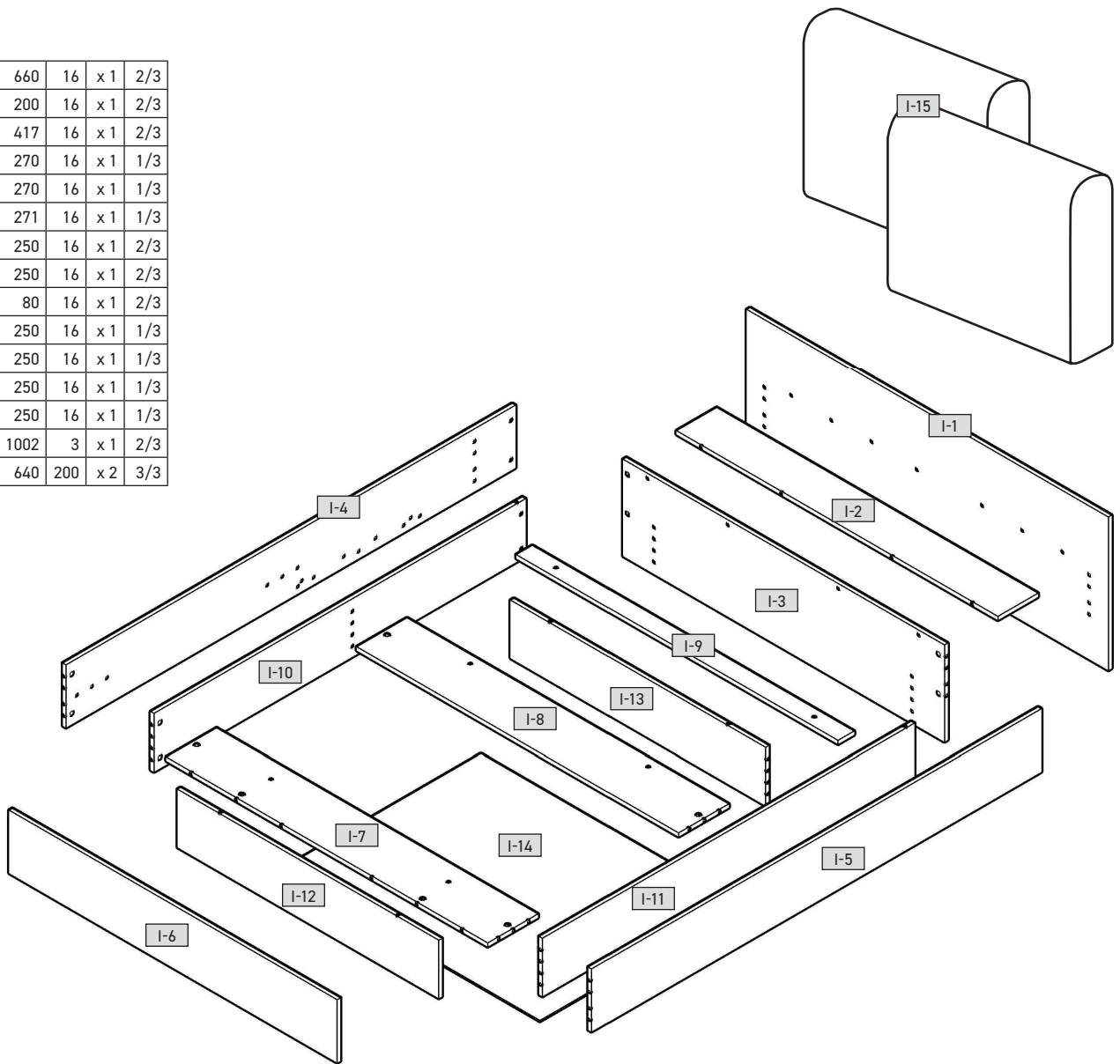
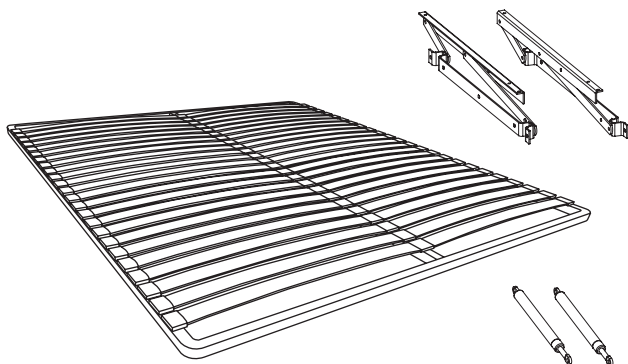


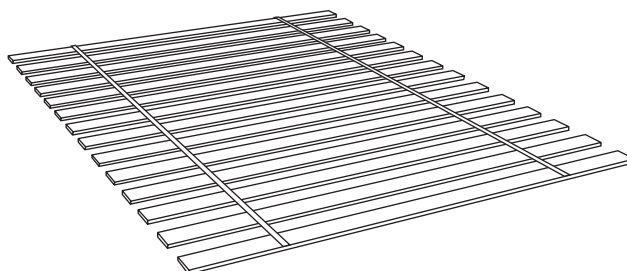
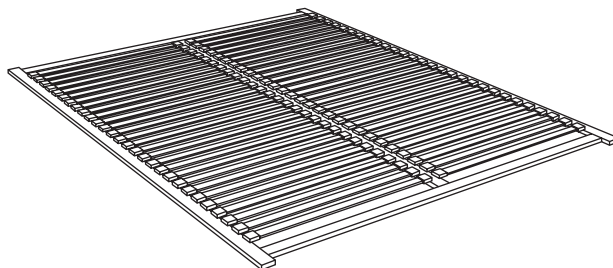
I-1	1800	660	16	x 1	2/3
I-2	1600	200	16	x 1	2/3
I-3	1600	417	16	x 1	2/3
I-4	2238	270	16	x 1	1/3
I-5	2238	270	16	x 1	1/3
I-6	1633	271	16	x 1	1/3
I-7	1600	250	16	x 1	2/3
I-8	1600	250	16	x 1	2/3
I-9	1600	80	16	x 1	2/3
I-10	1850	250	16	x 1	1/3
I-11	1850	250	16	x 1	1/3
I-12	1301	250	16	x 1	1/3
I-13	1268	250	16	x 1	1/3
I-14	1296	1002	3	x 1	2/3
I-15	800	640	200	x 2	3/3



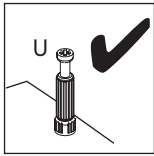
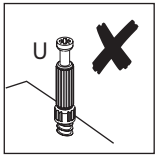
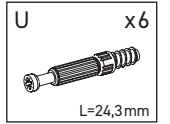
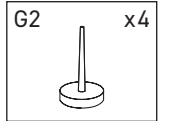
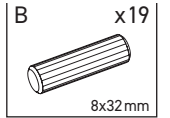
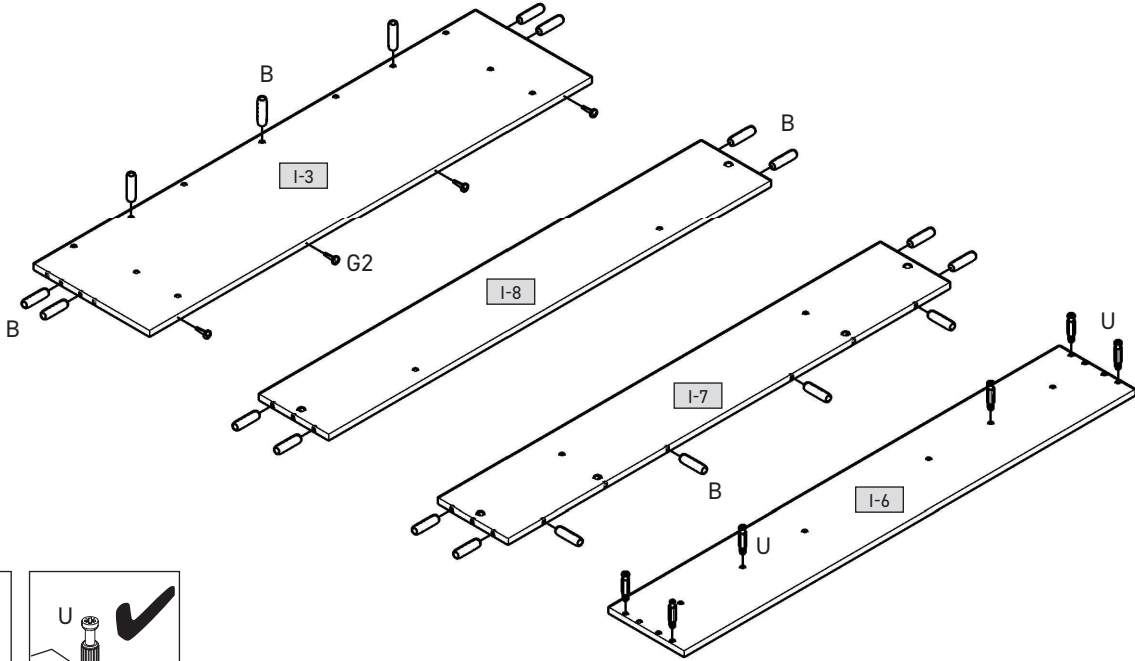


A

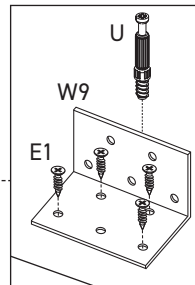
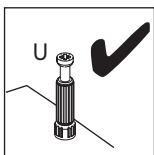
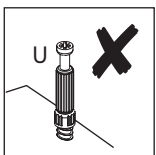
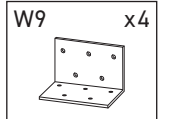
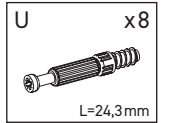
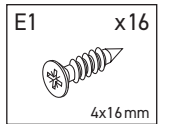
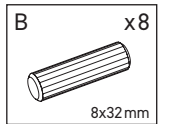
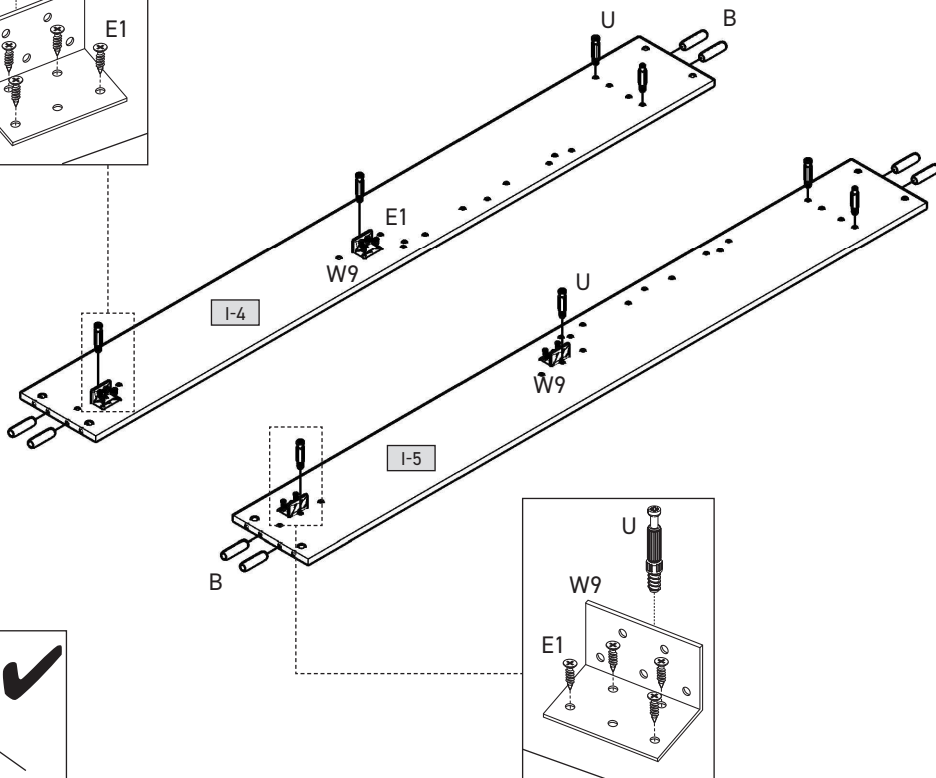
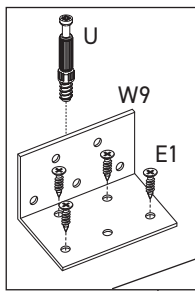
C



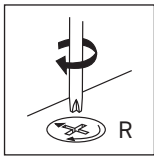
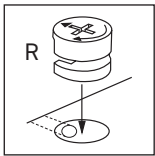
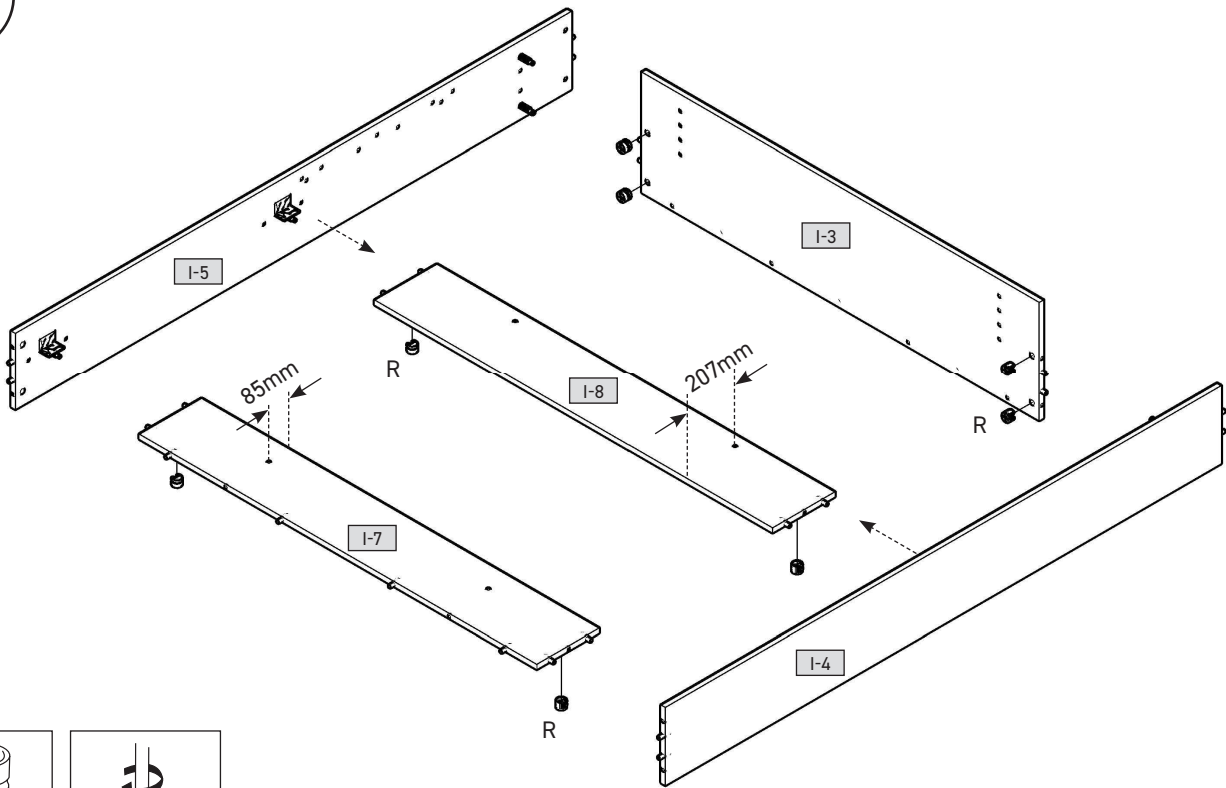
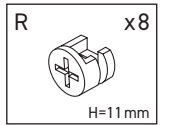
1



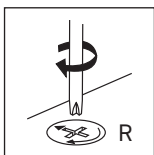
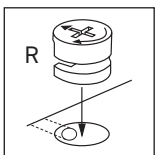
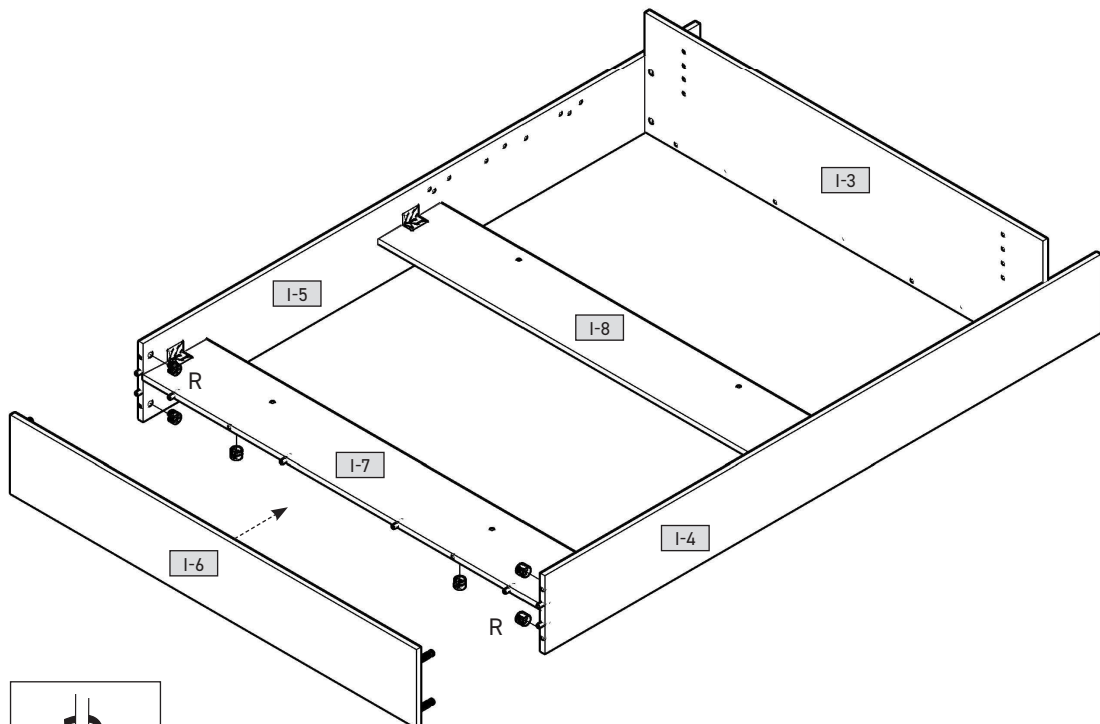
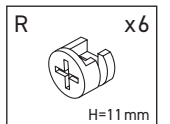
2



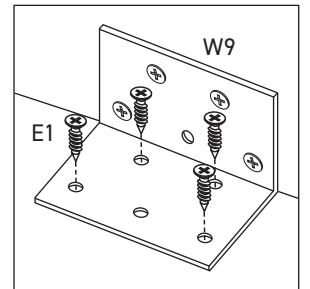
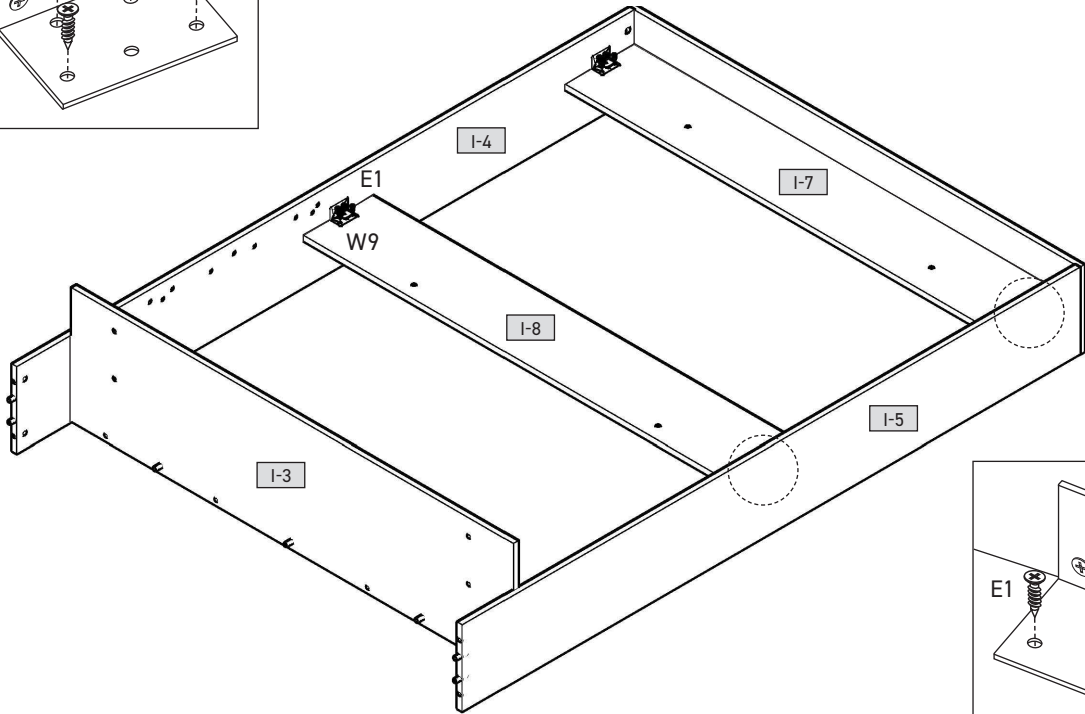
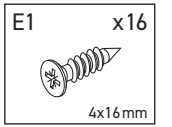
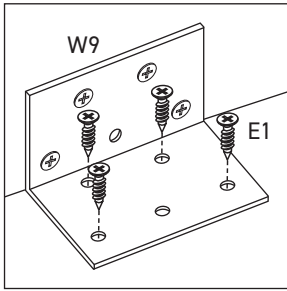
3



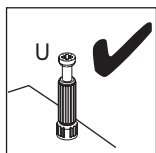
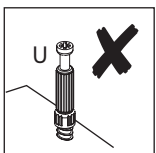
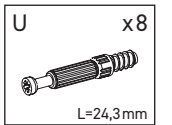
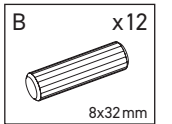
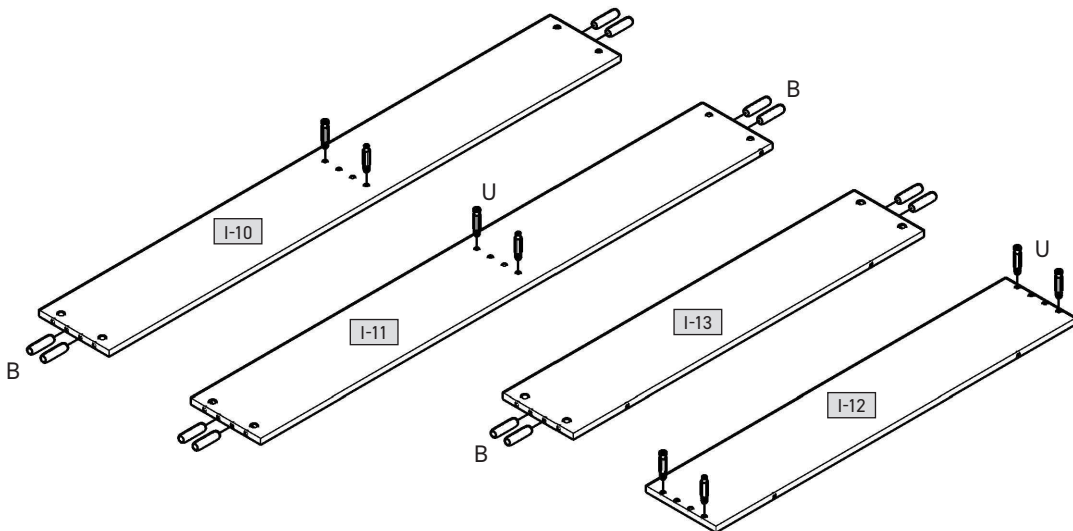
4



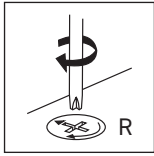
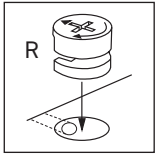
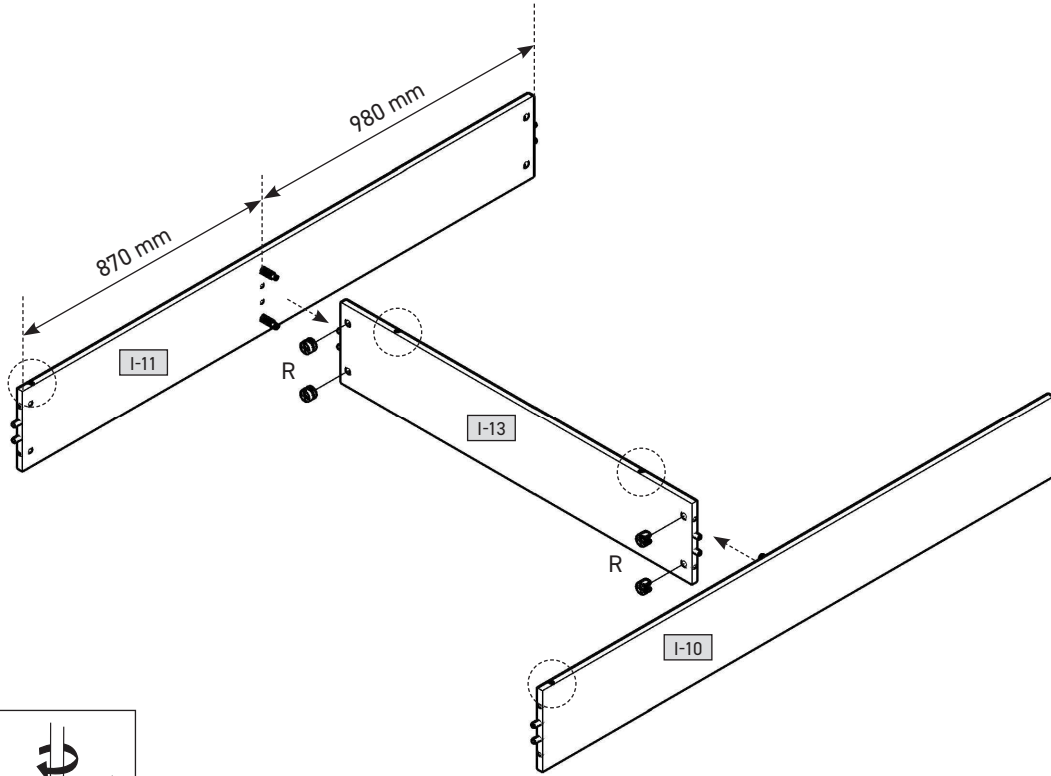
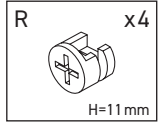
5



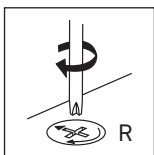
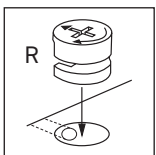
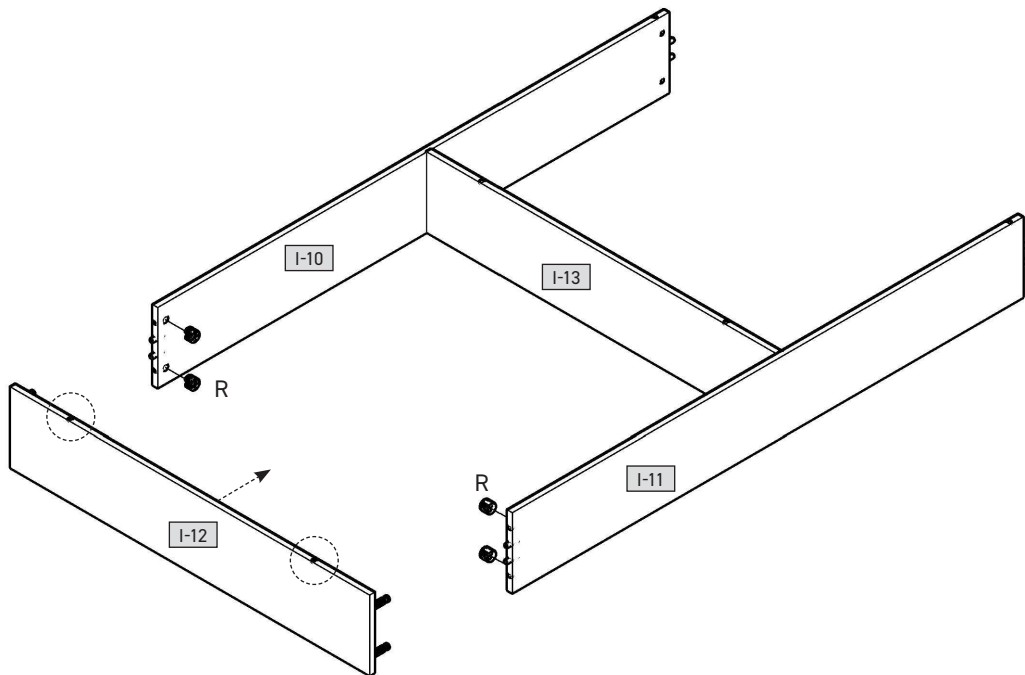
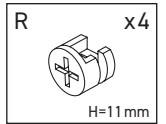
6



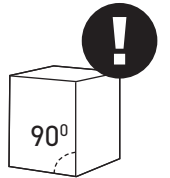
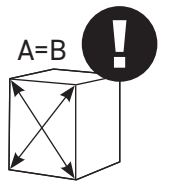
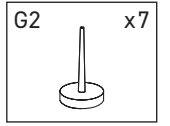
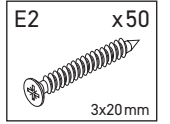
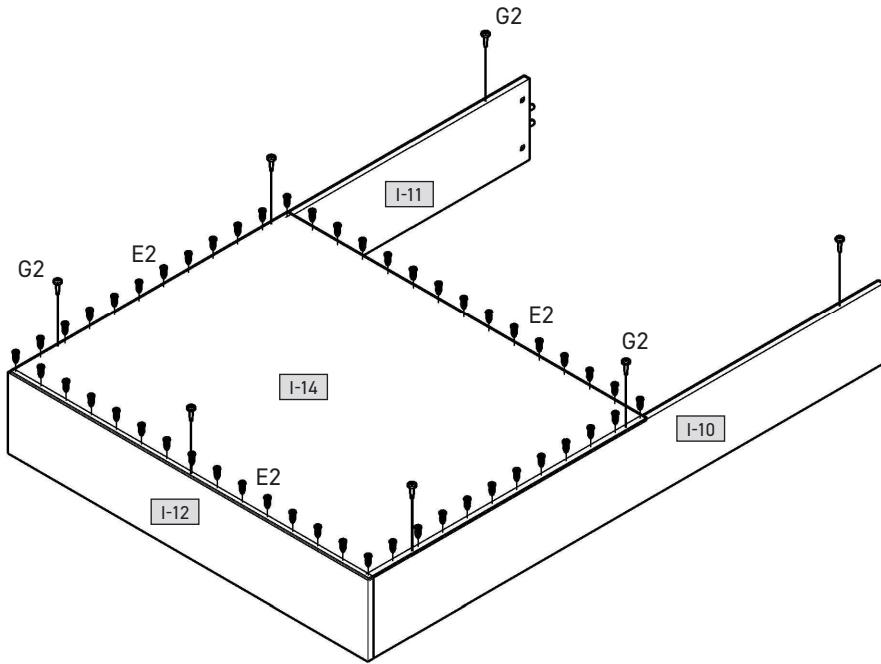
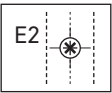
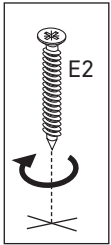
7



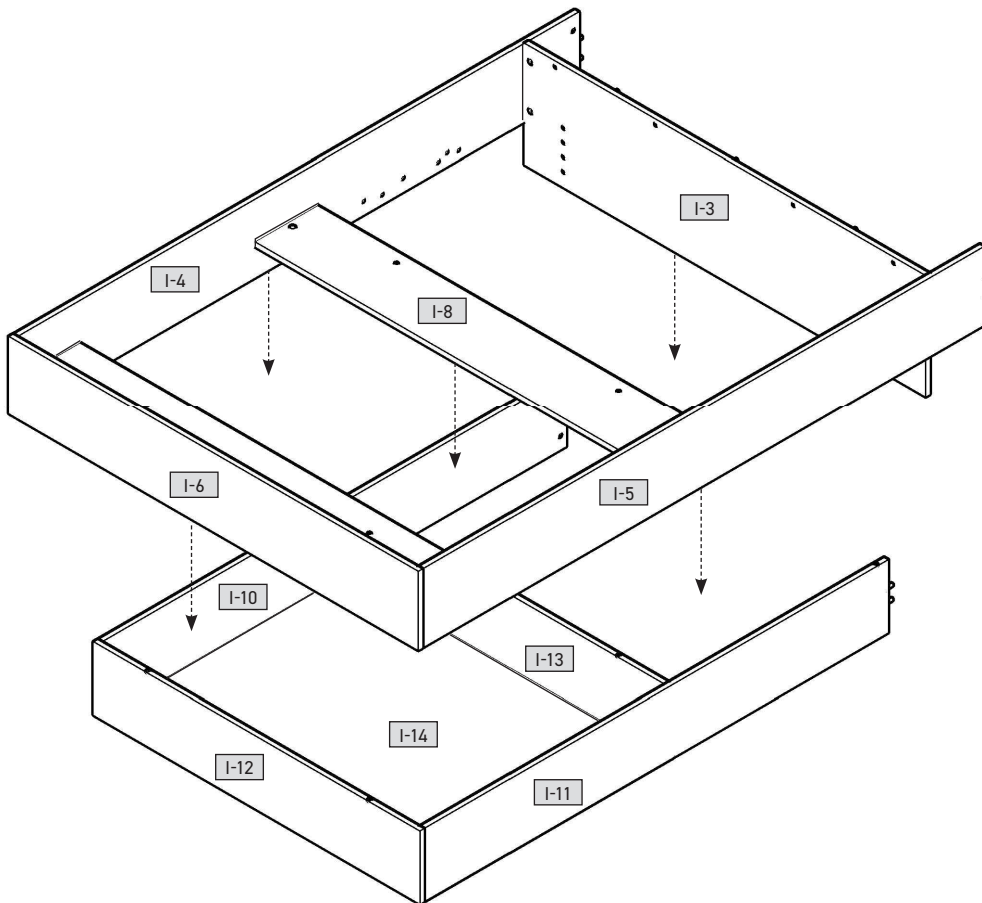
8



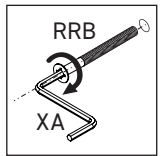
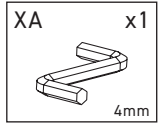
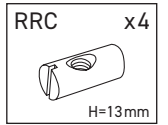
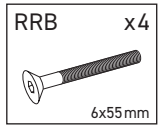
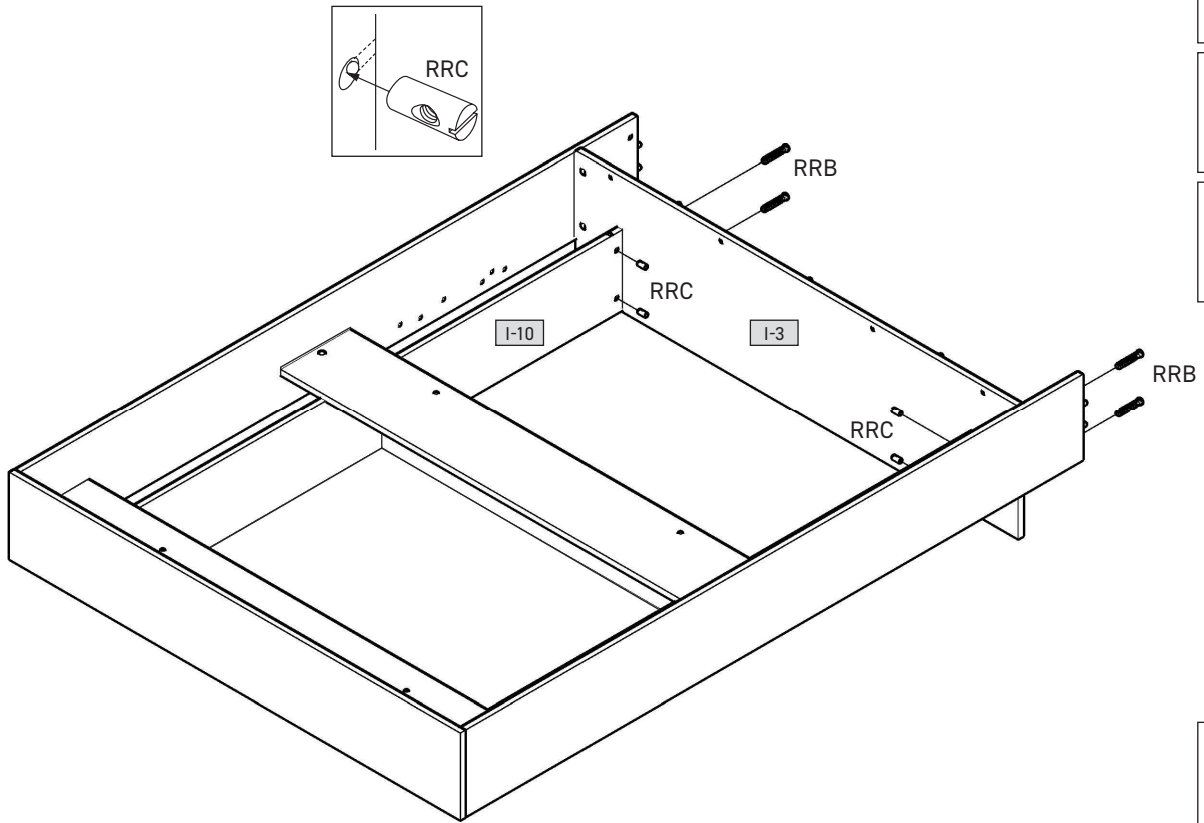
9



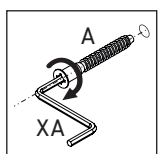
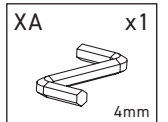
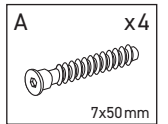
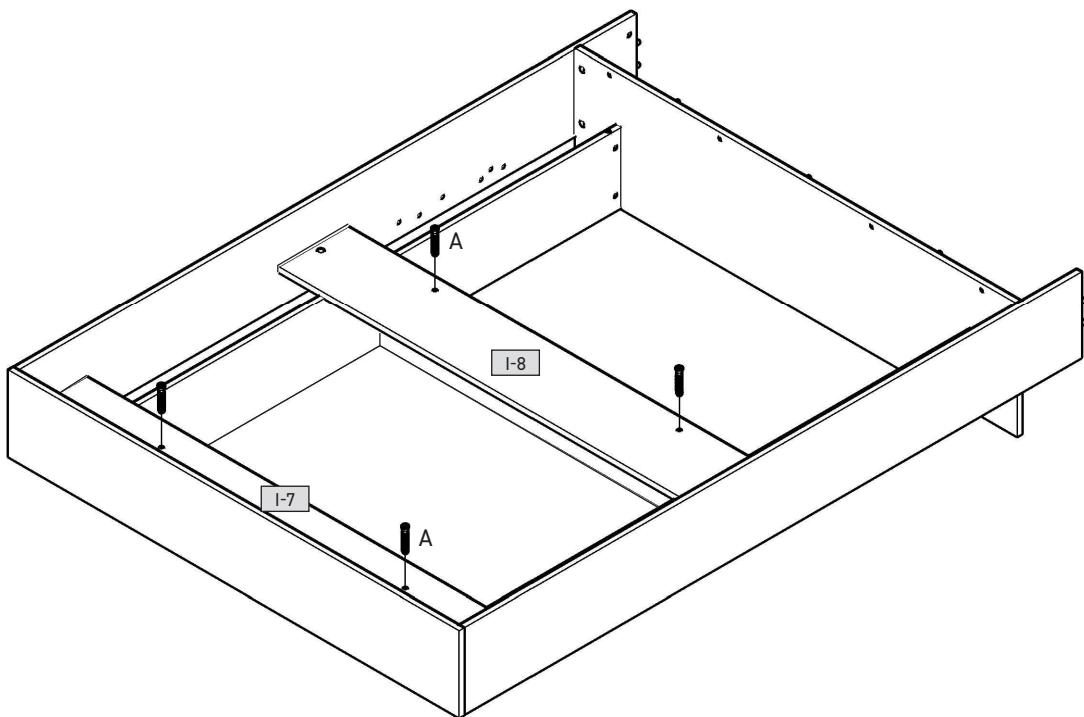
10



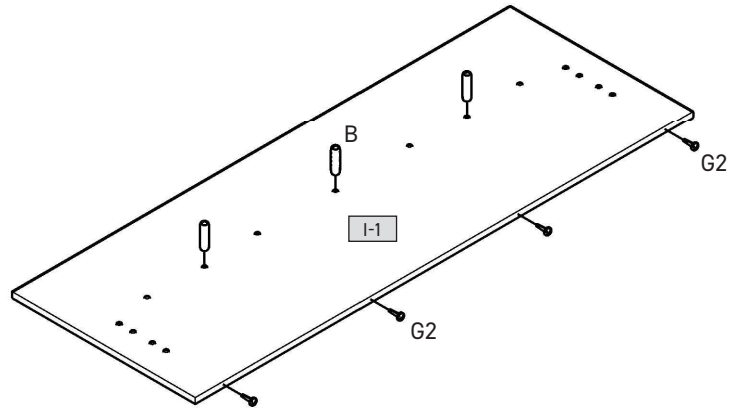
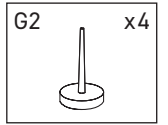
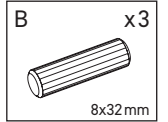
11



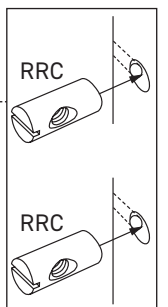
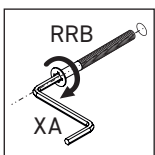
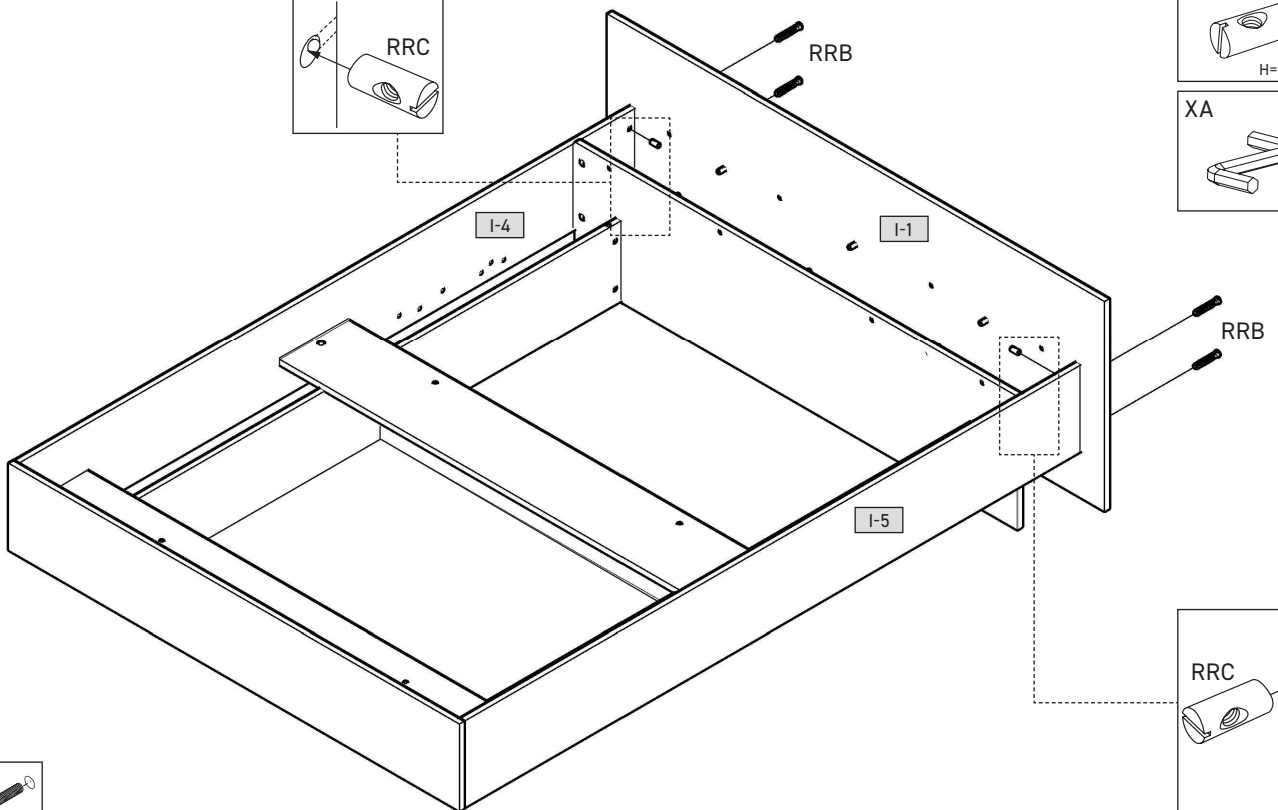
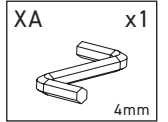
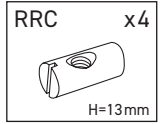
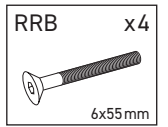
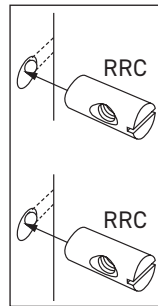
12



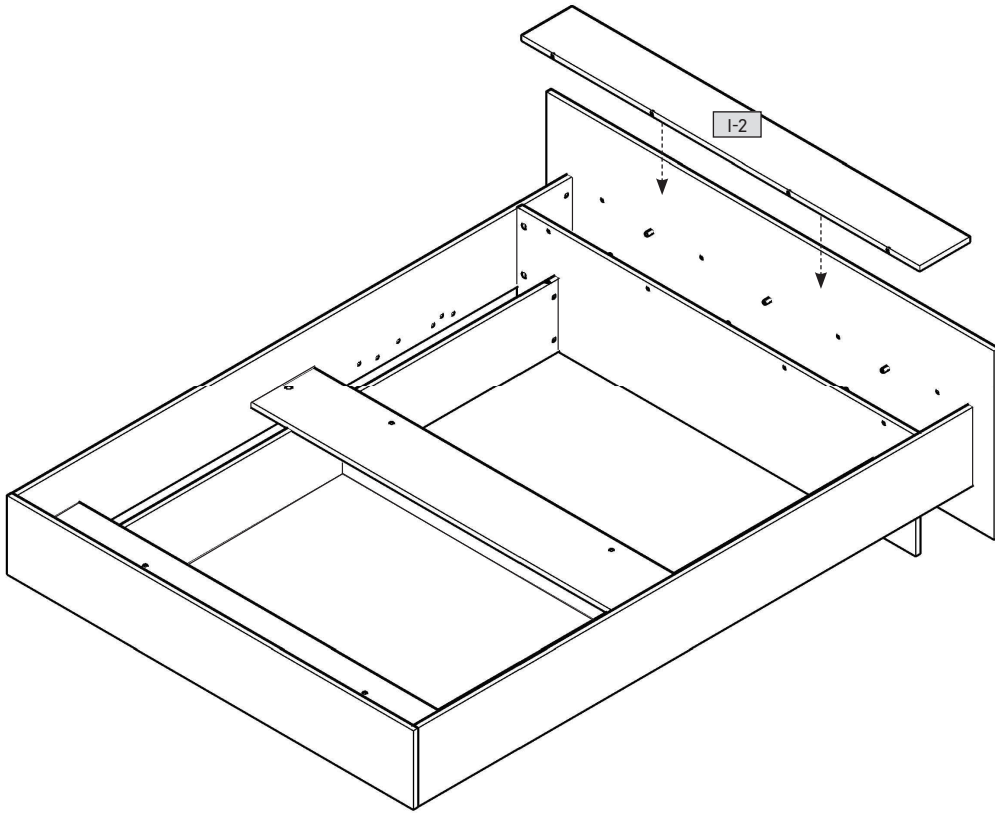
13



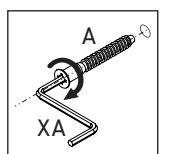
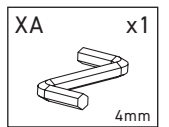
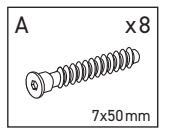
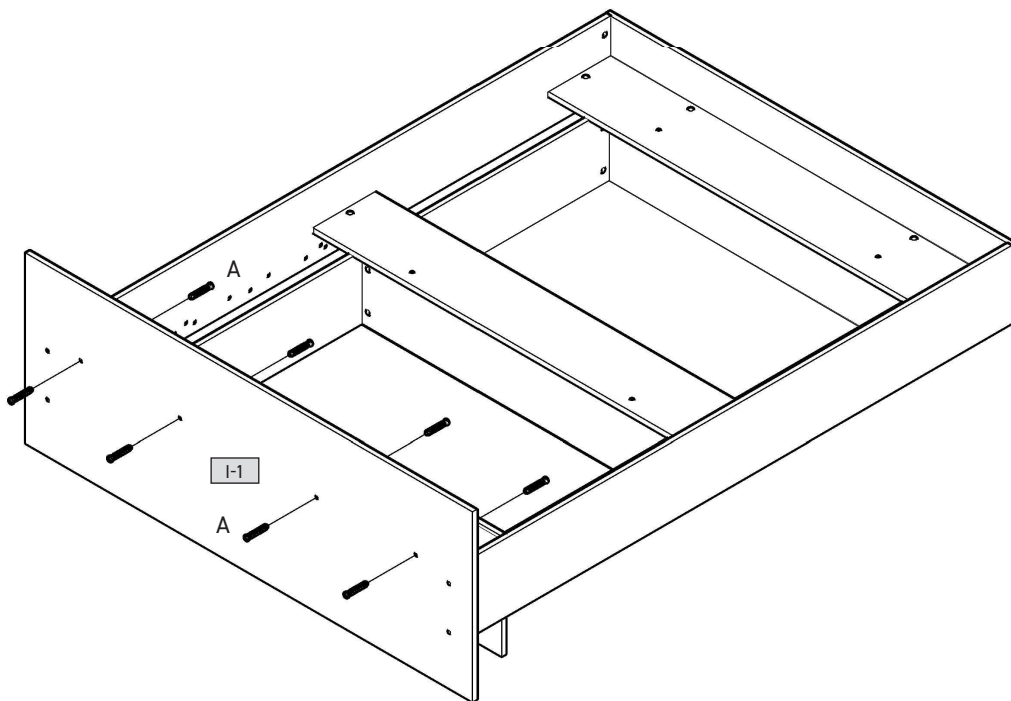
14



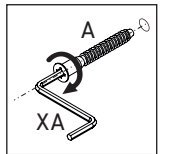
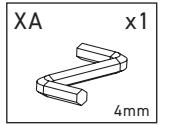
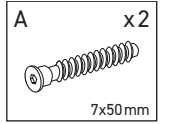
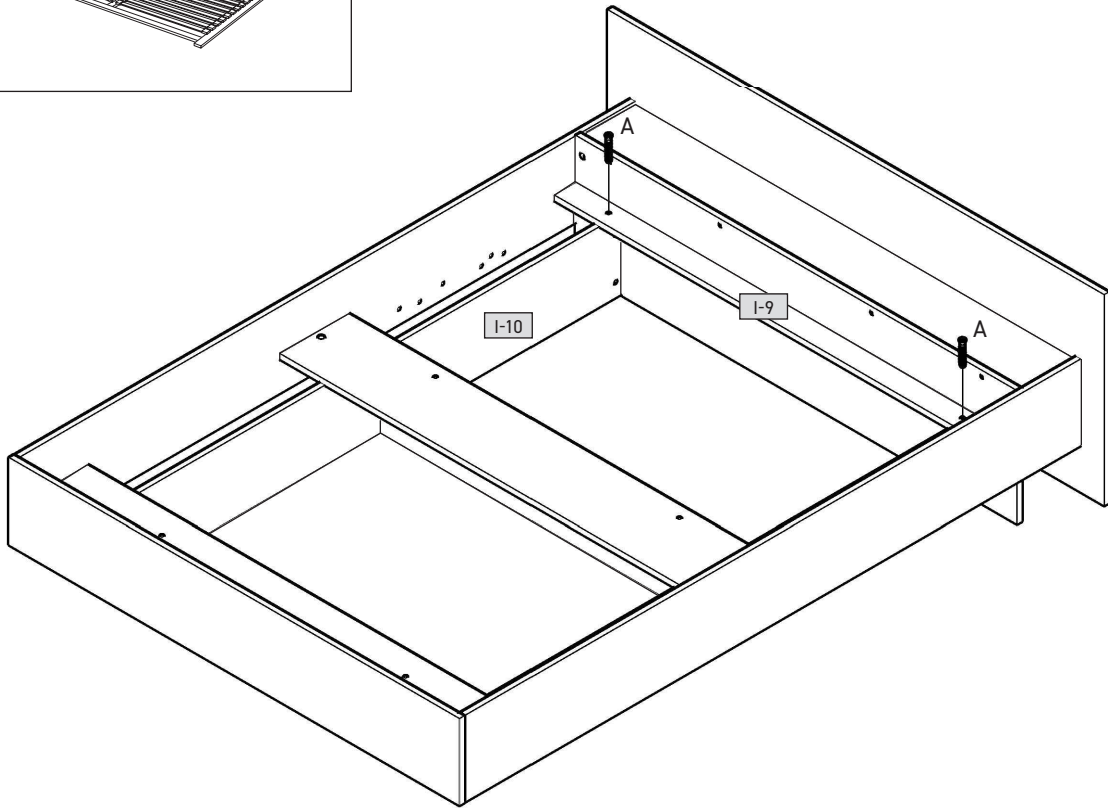
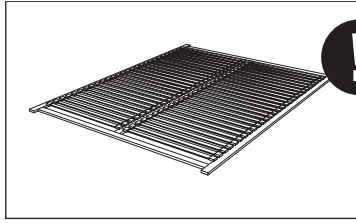
15



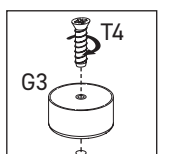
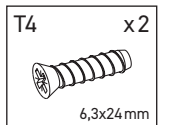
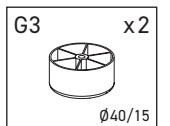
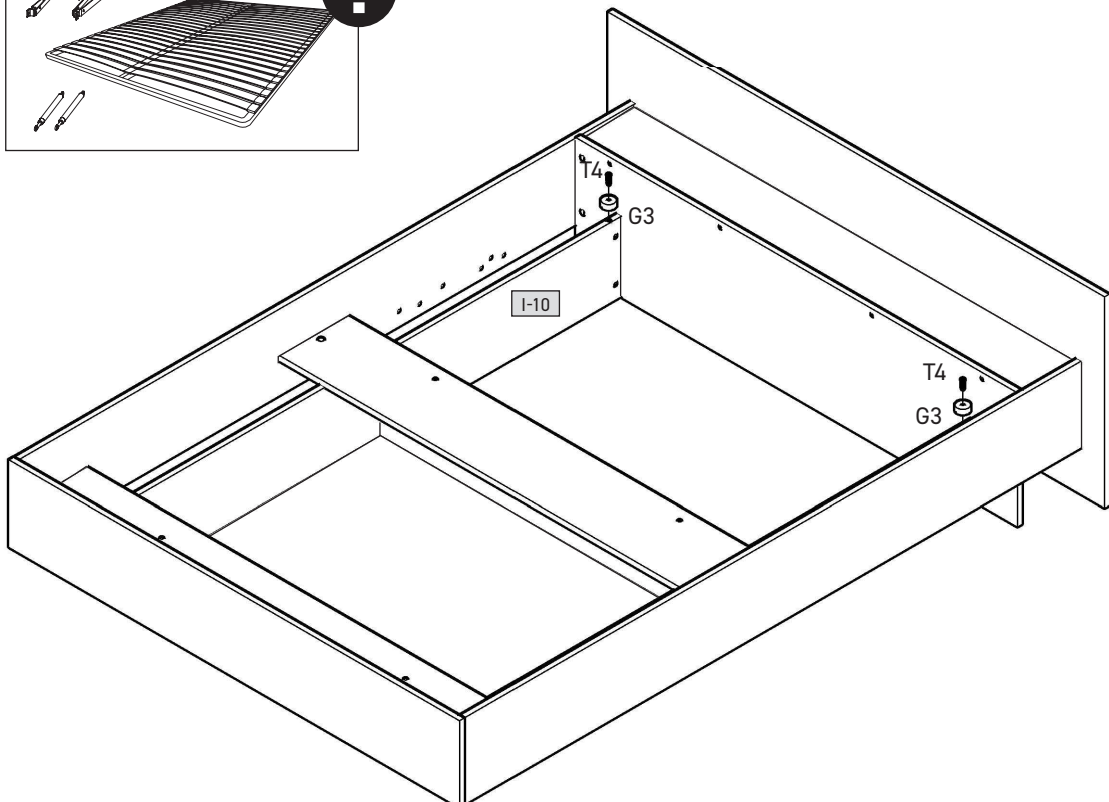
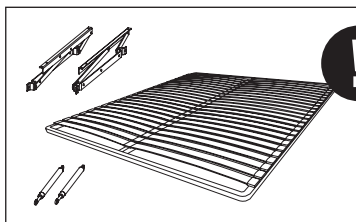
16



17

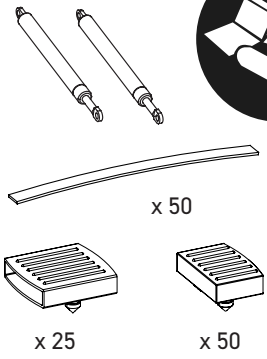
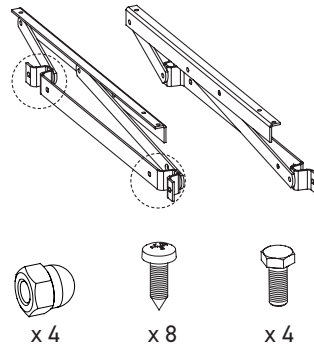
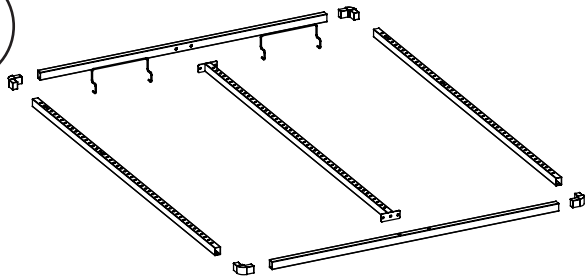


17

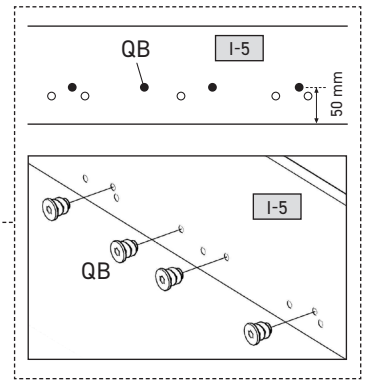
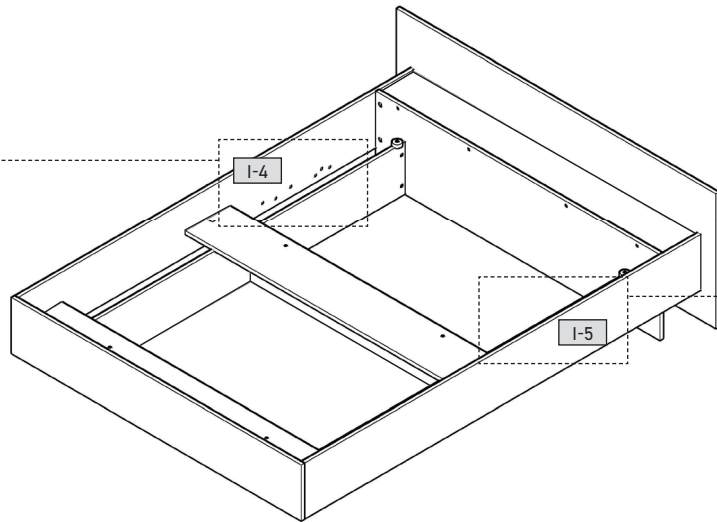
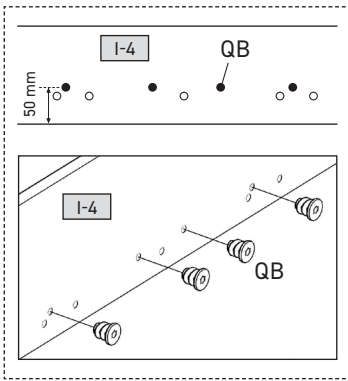
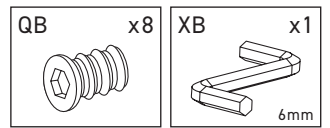
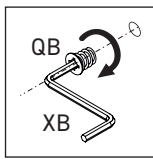


18

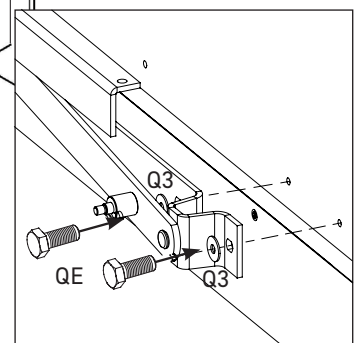
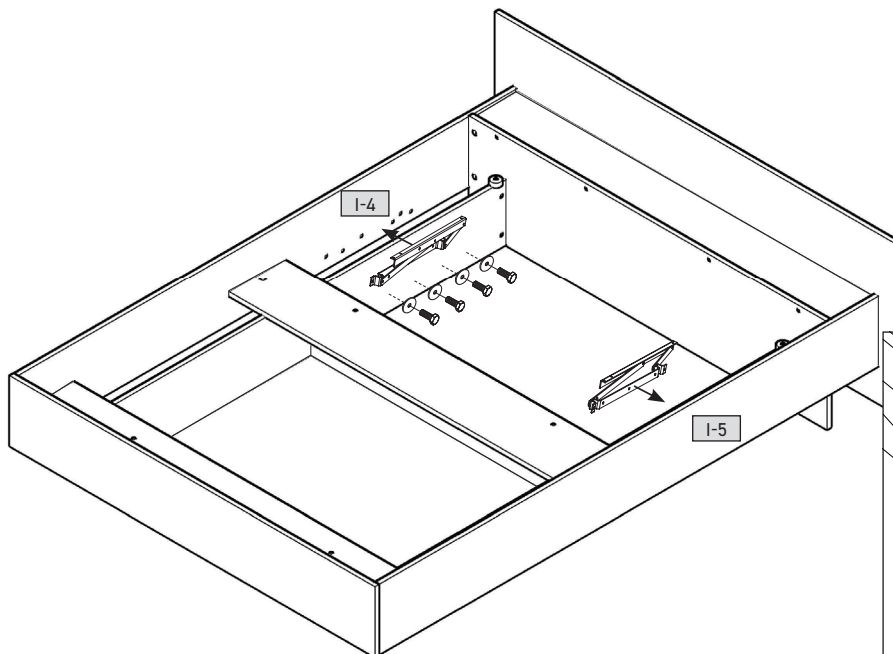
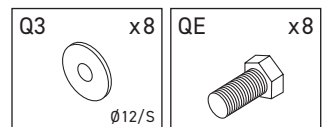
A



19

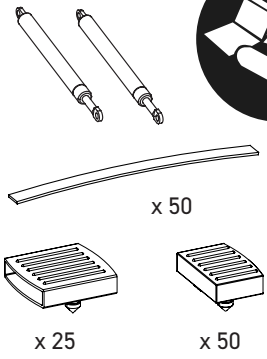
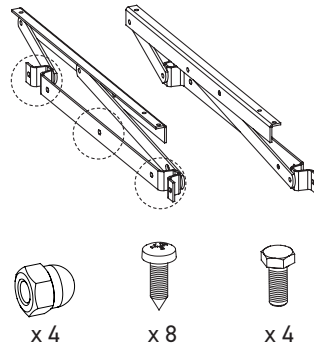
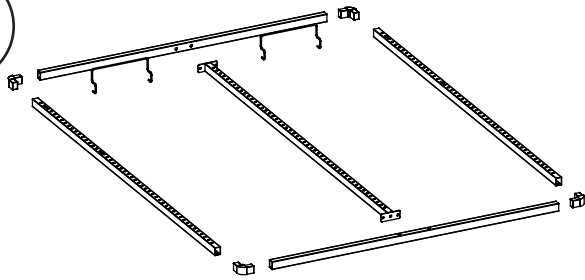


20



18

C



x 4

x 8

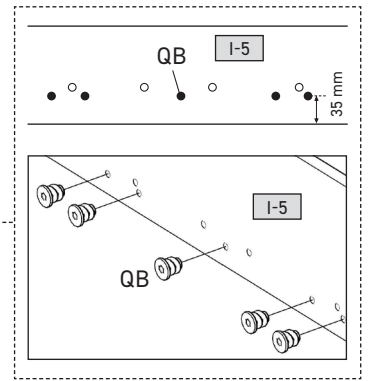
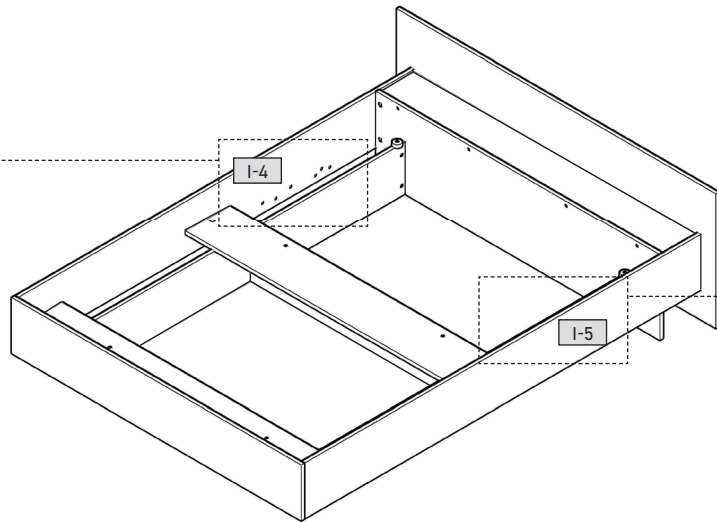
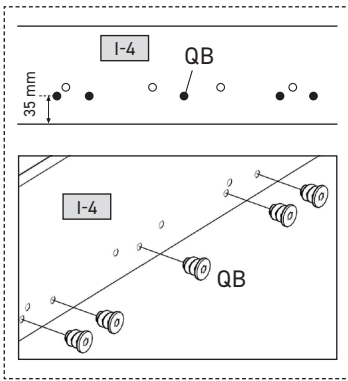
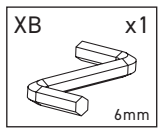
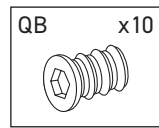
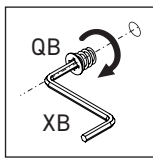
x 4

x 25

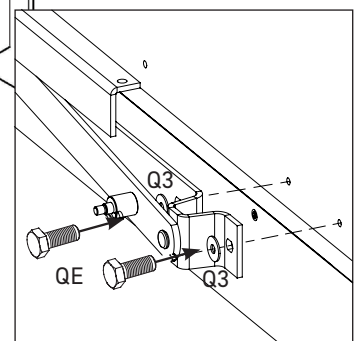
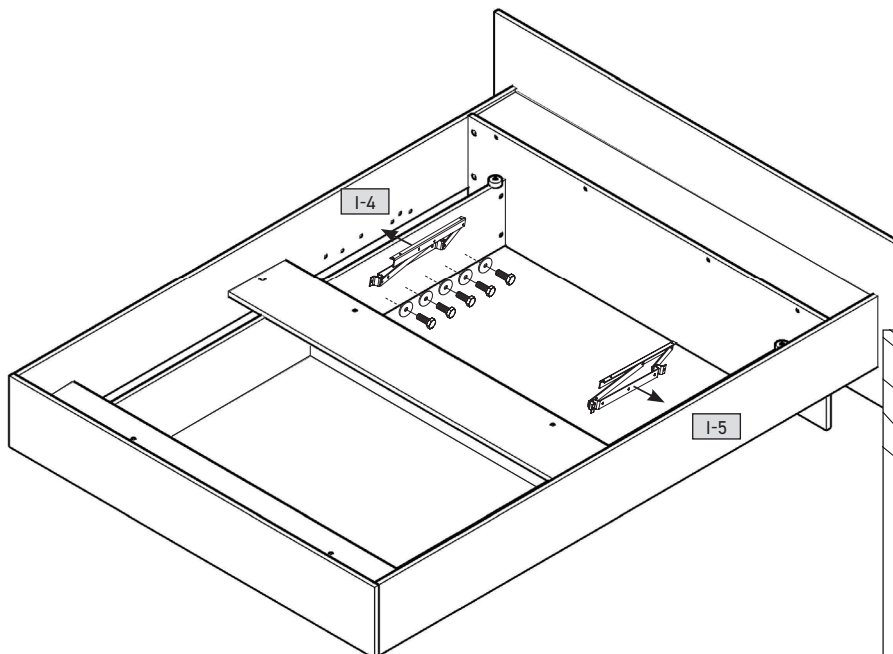
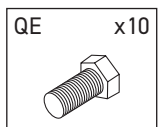
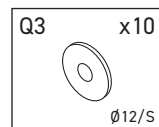
x 50

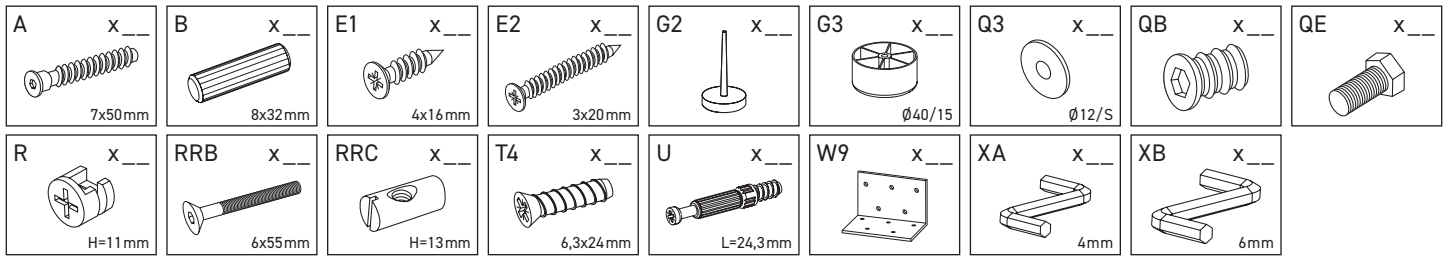
x 50

19



20





I-1	1800	660	16	x 1	2/3
I-2	1600	200	16	x 1	2/3
I-3	1600	417	16	x 1	2/3
I-4	2238	270	16	x 1	1/3
I-5	2238	270	16	x 1	1/3
I-6	1633	271	16	x 1	1/3
I-7	1600	250	16	x 1	2/3
I-8	1600	250	16	x 1	2/3
I-9	1600	80	16	x 1	2/3
I-10	1850	250	16	x 1	1/3
I-11	1850	250	16	x 1	1/3
I-12	1301	250	16	x 1	1/3
I-13	1268	250	16	x 1	1/3
I-14	1296	1002	3	x 1	2/3
I-15	800	640	200	x 2	3/3

