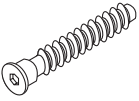
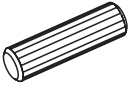
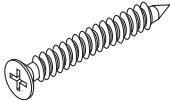
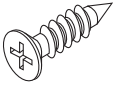
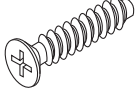

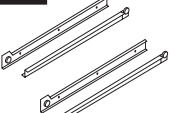
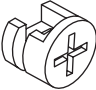
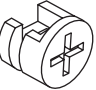
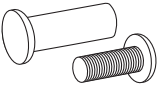
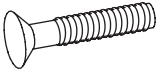

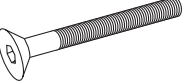

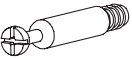
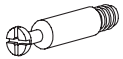
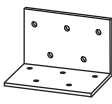
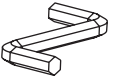

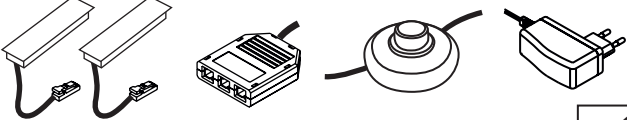
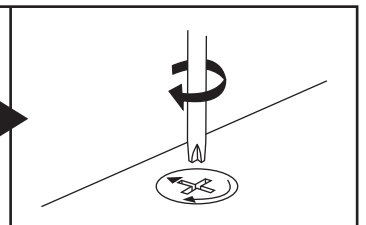
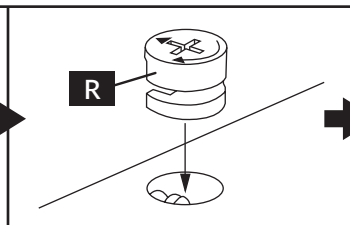
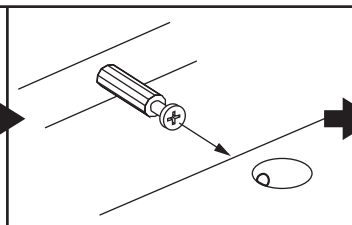
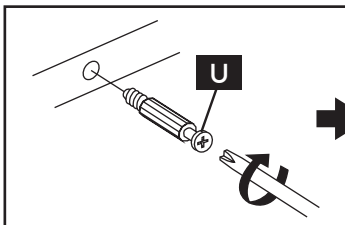
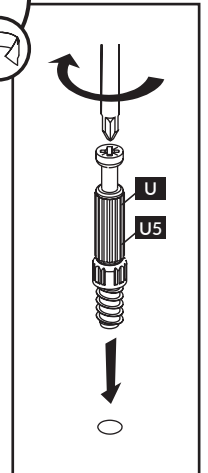
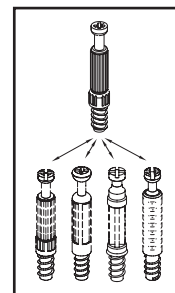
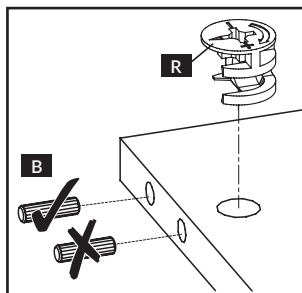
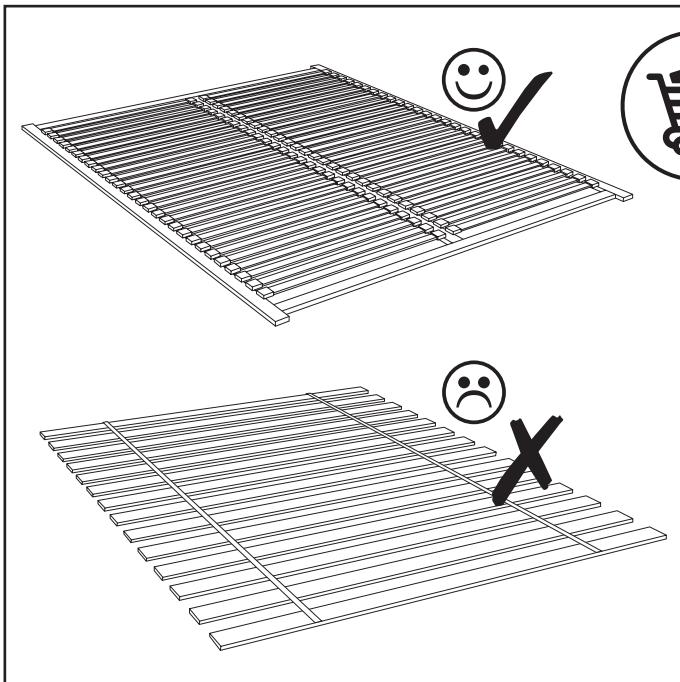
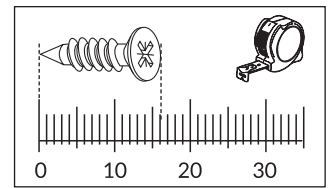
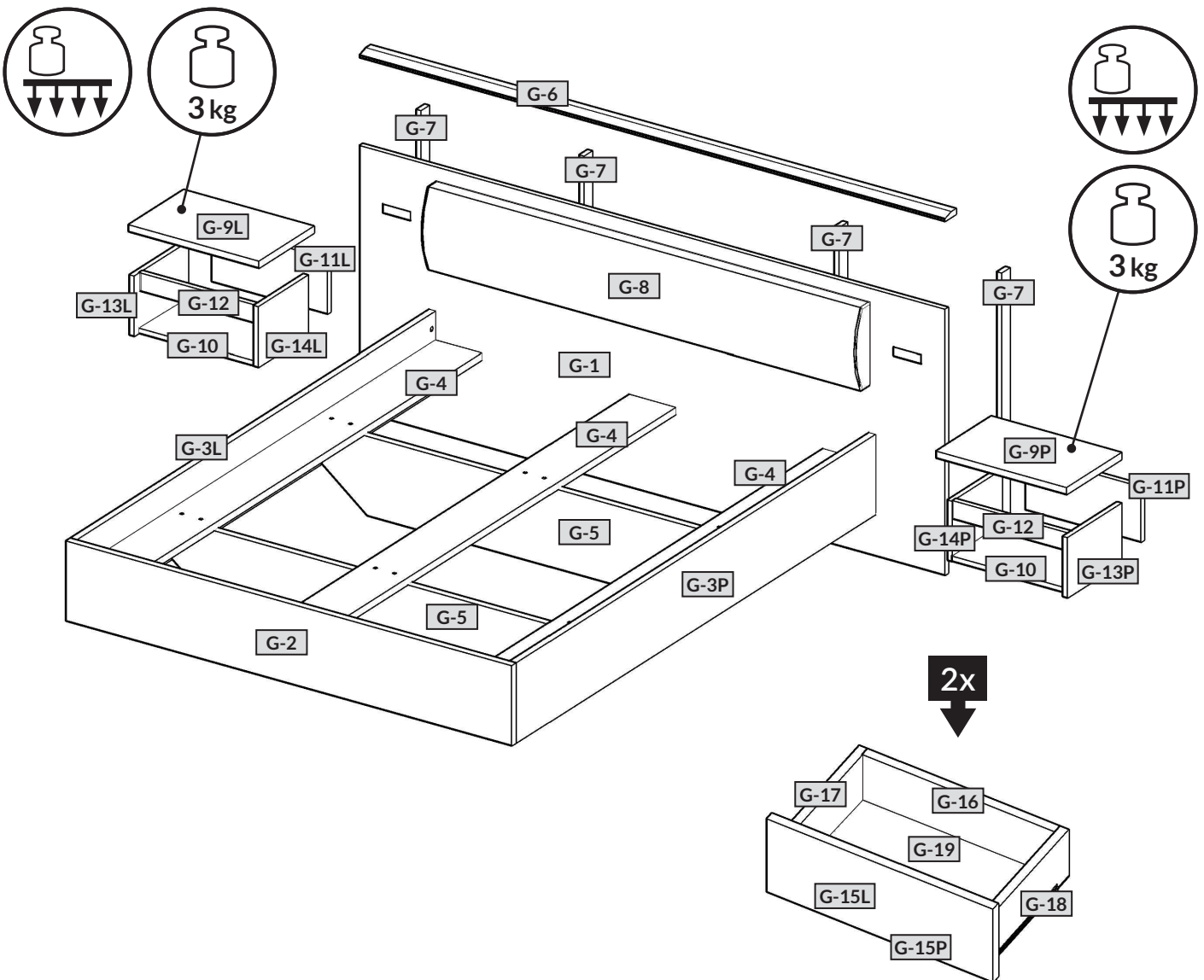


A  7 x 50 mm x 22	B  8 x 32 mm x 68	E2  3 x 20 mm x 18	E5  4 x 16 mm x 24	EM6  6 x 40 mm x 6	G2  x 8
K  L=250 mm x 2	R  H=11 mm x 30	R1  H=15 mm x 8	RA  x 4	RB  x 8	RRa  x 4
RRb  6 x 55 x 4	T3  5 x 9 mm x 8	U  L=24,3 mm x 34	U5  L=22 mm x 4	W9  x 3	XA  x 1
Zr  Ø 15 x 38	LED  x 1				

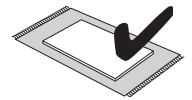
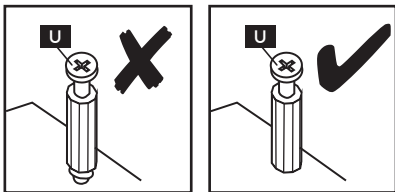
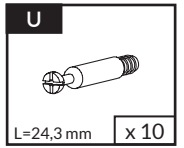
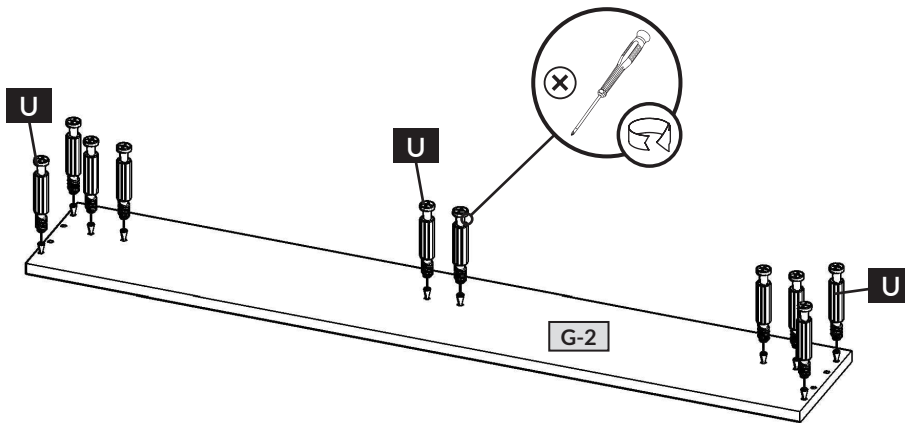


G-1	2158	900	16	x1	1/2
G-2	1644	274	22	x1	2/2
G-3L	2000	270	22	x1	2/2
G-3P	2000	270	22	x1	2/2
G-4	2000	170	16	x3	2/2
G-5	1600	268	22	x2	1/2
G-6	2158	60	18	x1	1/2
G-7	900	44	16	x4	2/2
G-8	1600	280	75	x1	2/2
G-9L	480	305	22	x1	1/2
G-9P	480	305	22	x1	1/2
G-10	426	275	16	x2	1/2

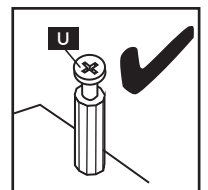
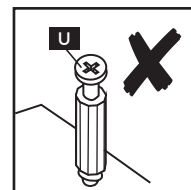
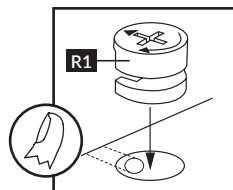
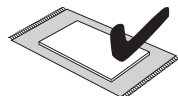
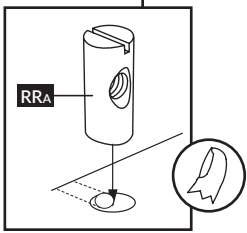
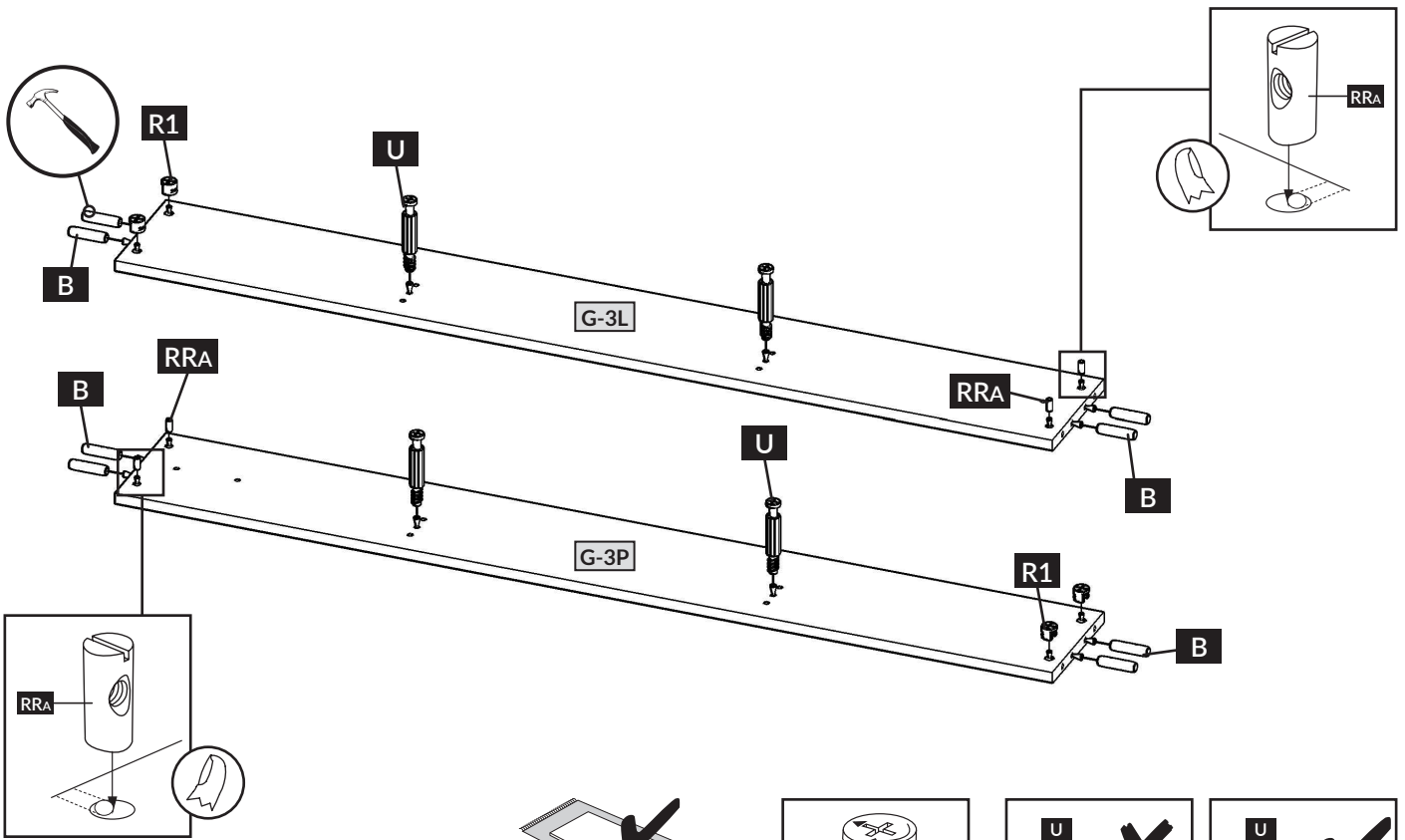
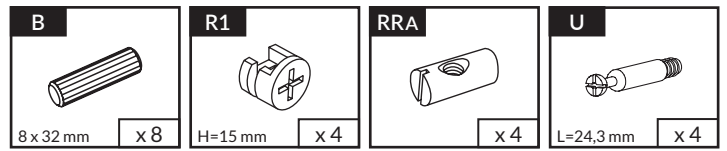
G-11L	426	186	16	x1	1/2
G-11P	426	186	16	x1	1/2
G-12	426	60	16	x2	2/2
G-13L	300	203	16	x1	2/2
G-13P	300	203	16	x1	2/2
G-14L	275	203	16	x1	2/2
G-14P	275	203	16	x1	2/2
G-15L	438	162	16	x1	1/2
G-15P	438	162	16	x1	1/2
G-16	372	100	16	x2	2/2
G-17	250	100	16	x2	2/2
G-18	250	100	16	x2	2/2
G-19	403	257	3	x2	1/2



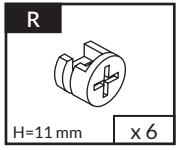
1



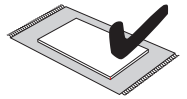
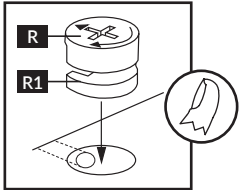
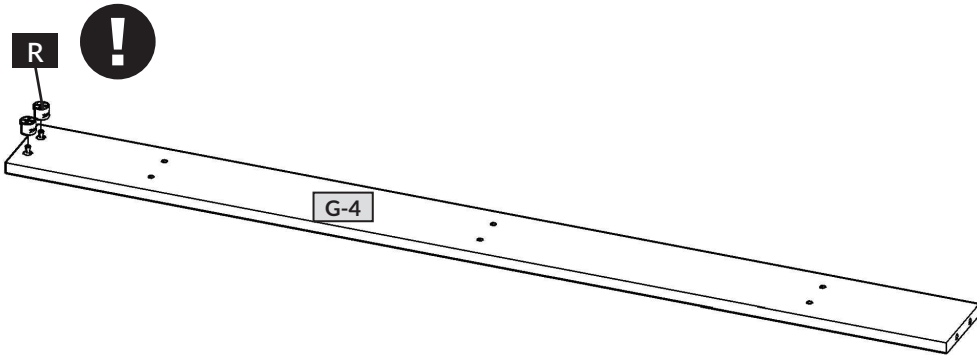
2



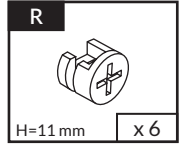
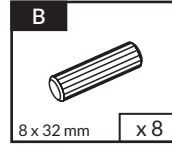
3



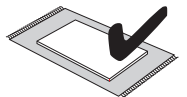
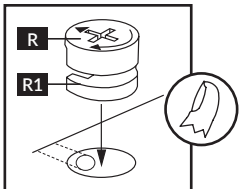
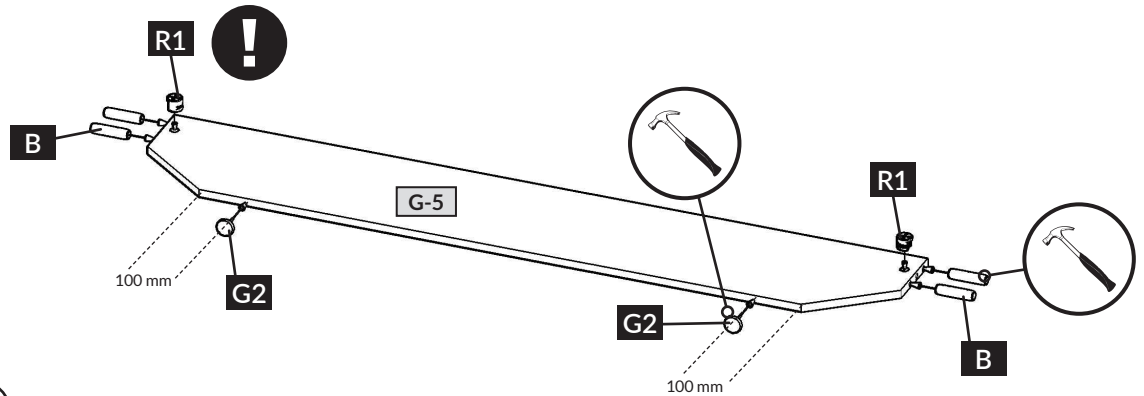
3x



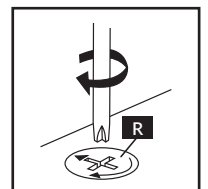
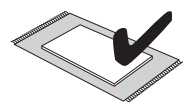
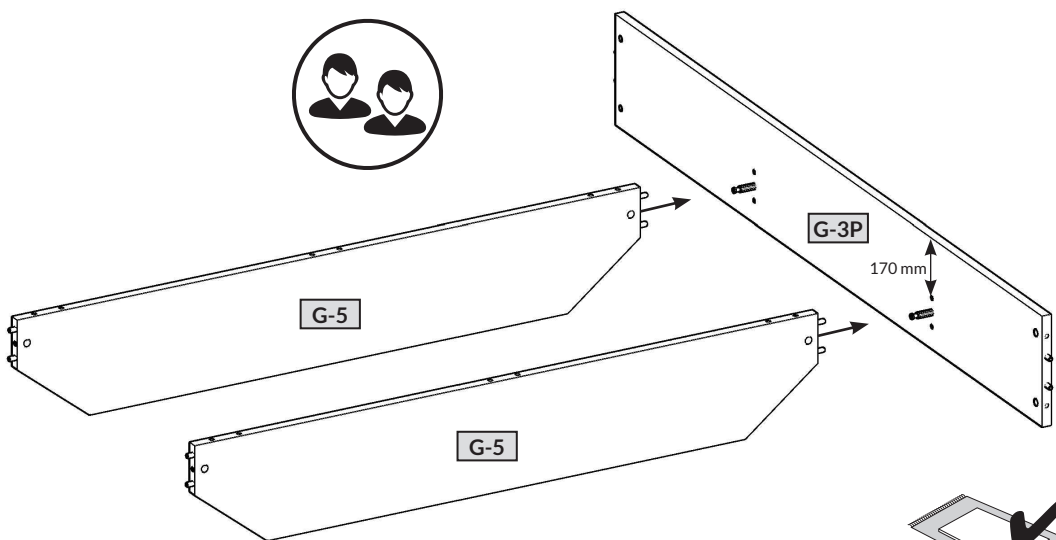
4



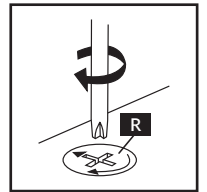
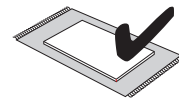
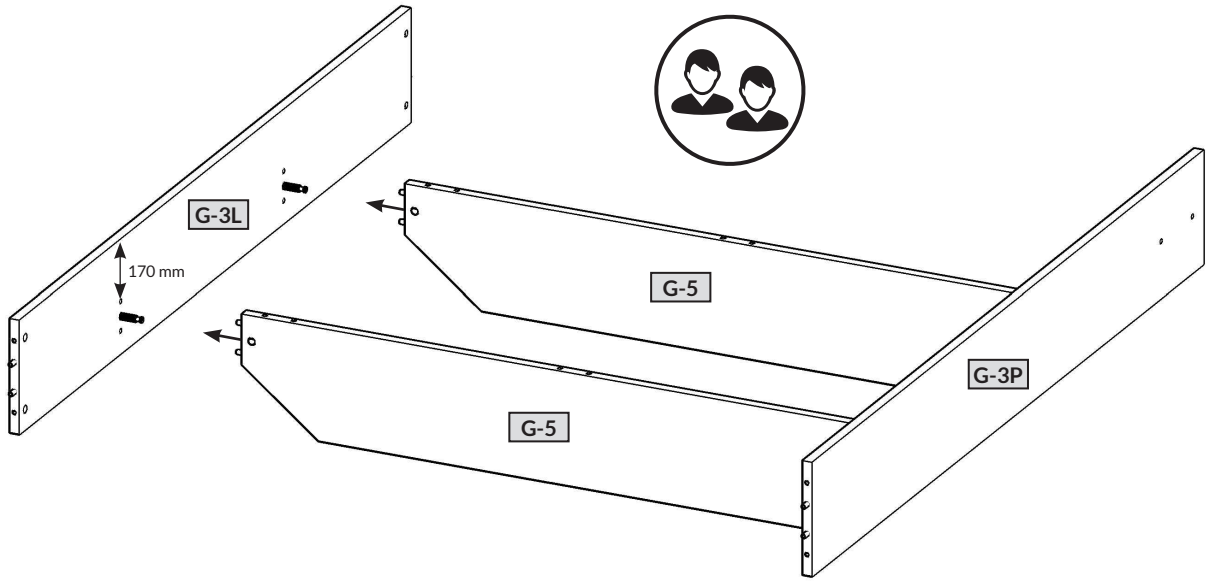
2x



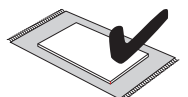
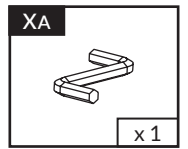
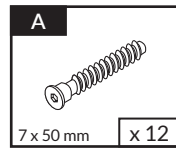
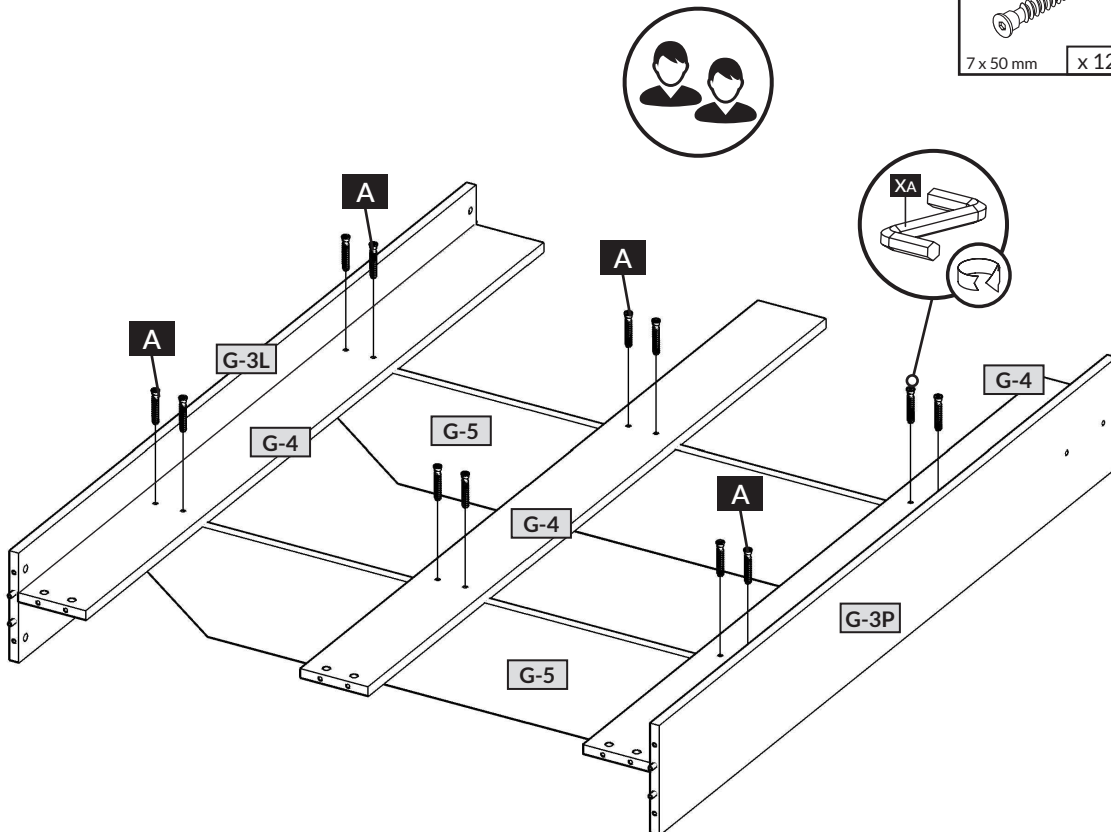
5



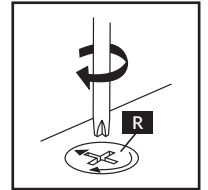
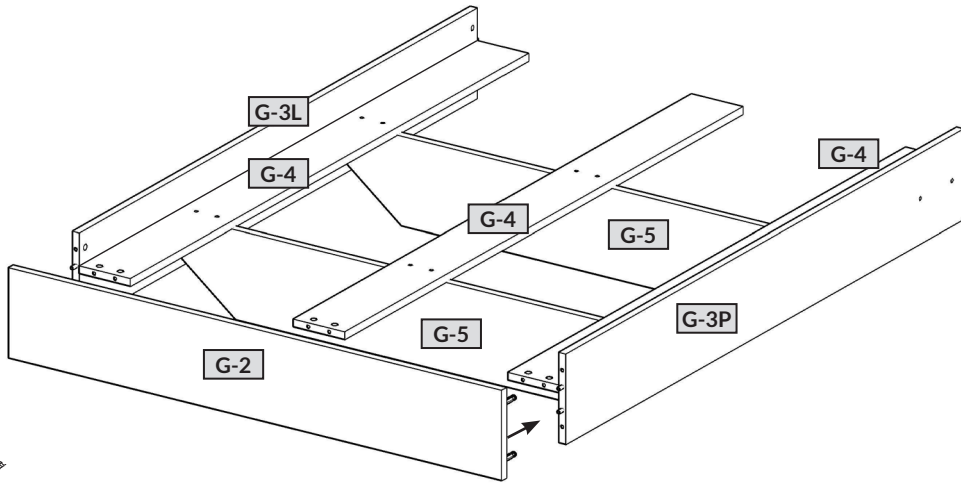
6



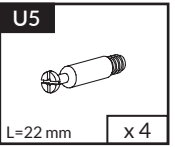
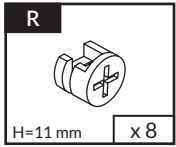
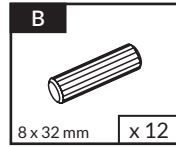
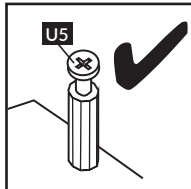
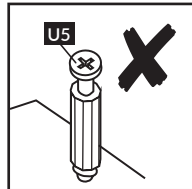
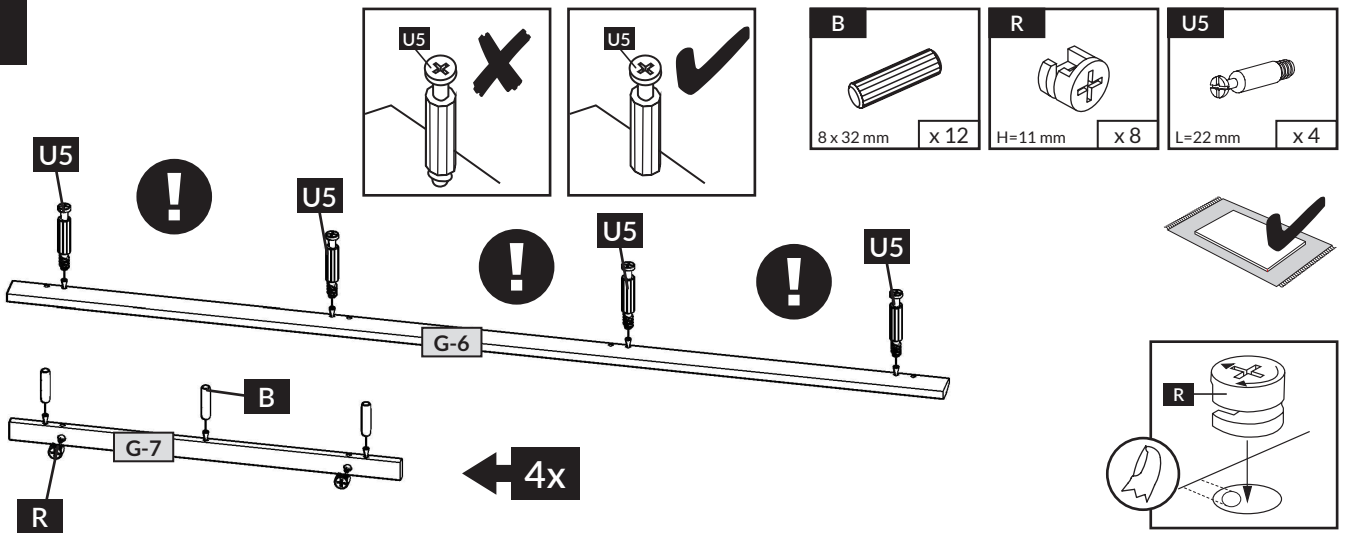
7



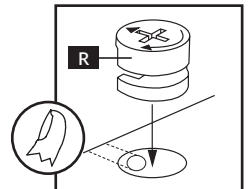
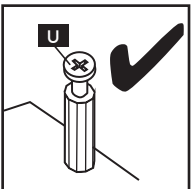
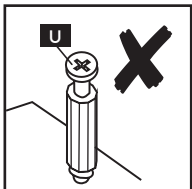
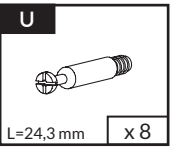
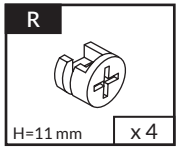
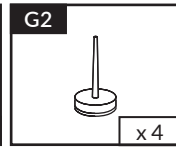
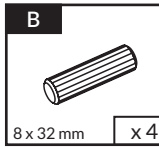
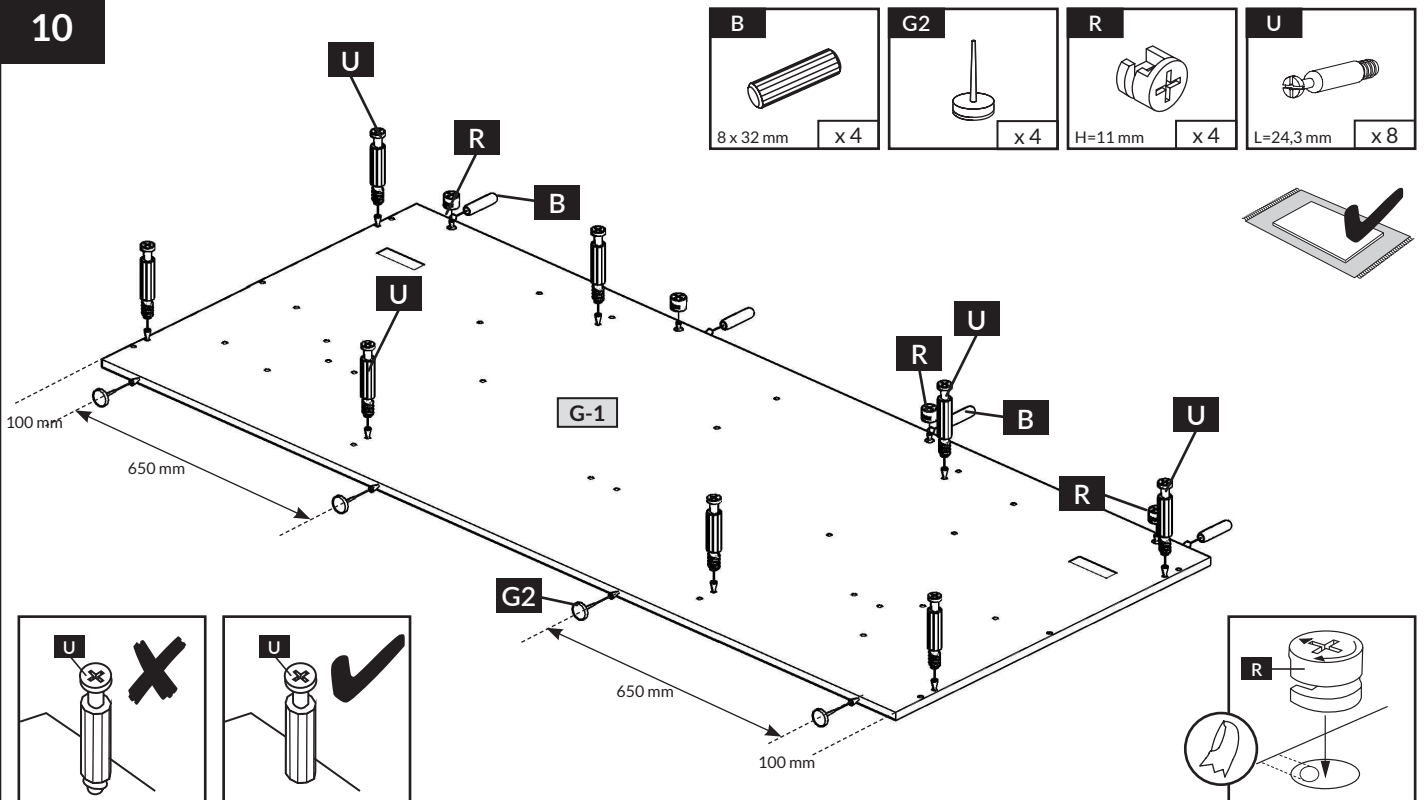
8



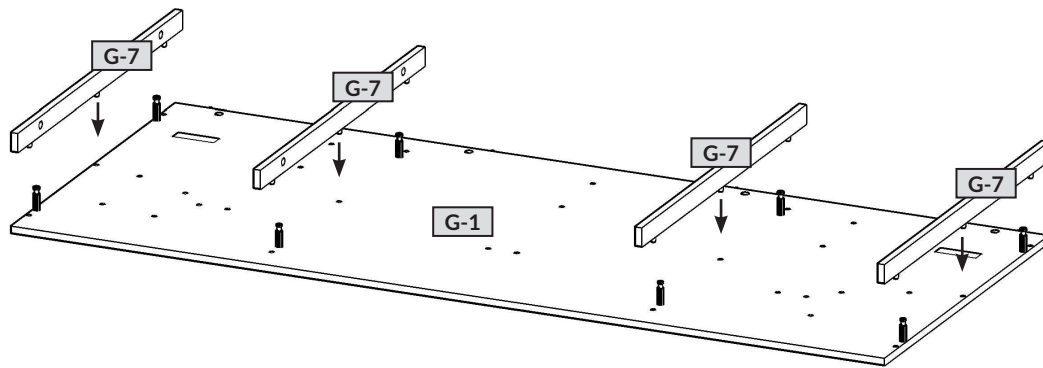
9



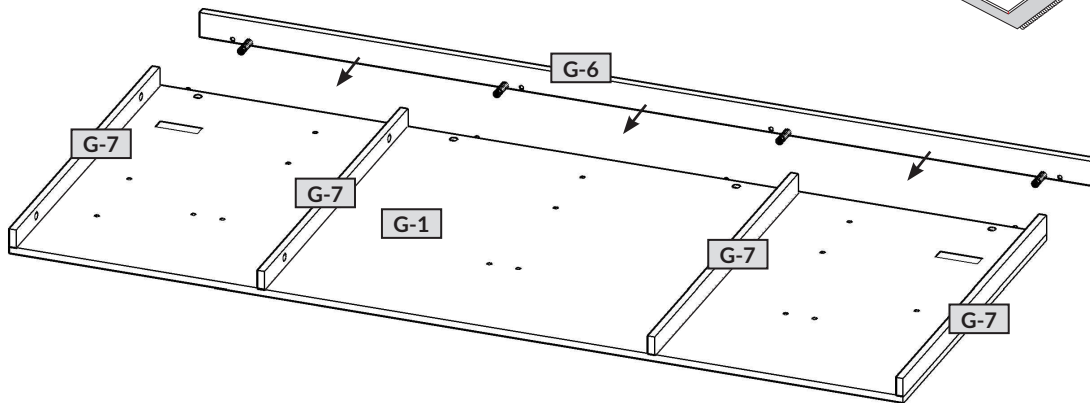
10



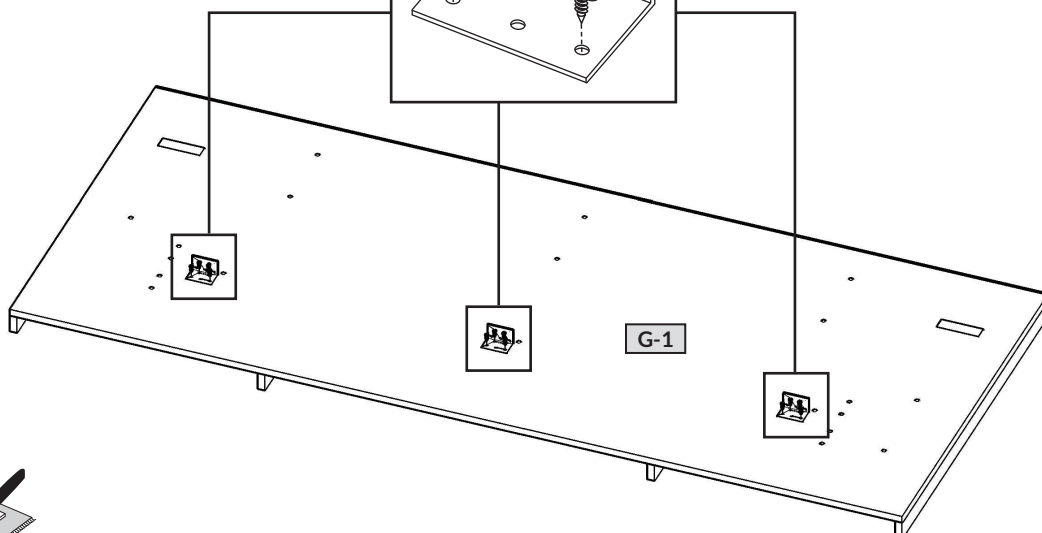
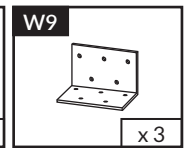
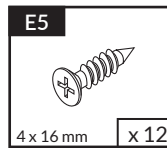
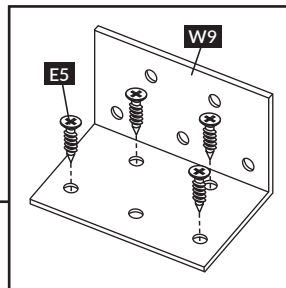
11



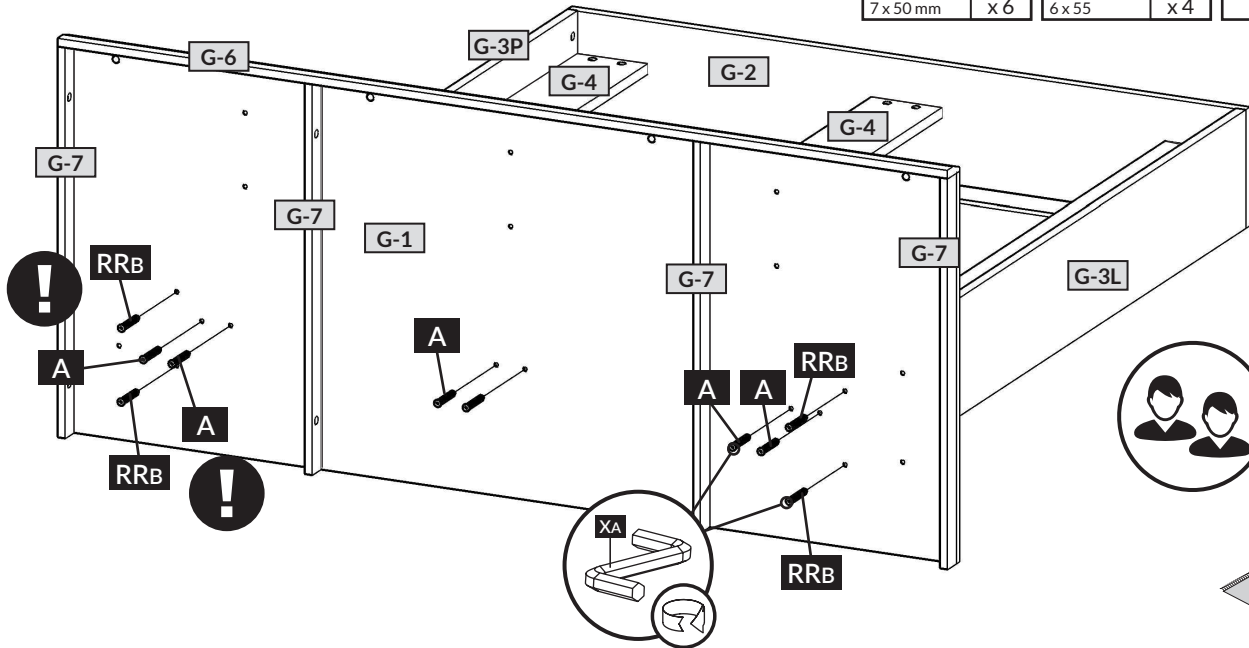
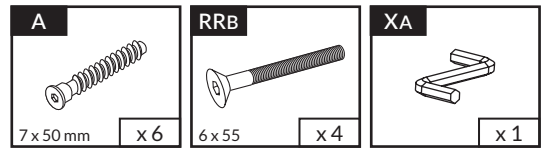
12



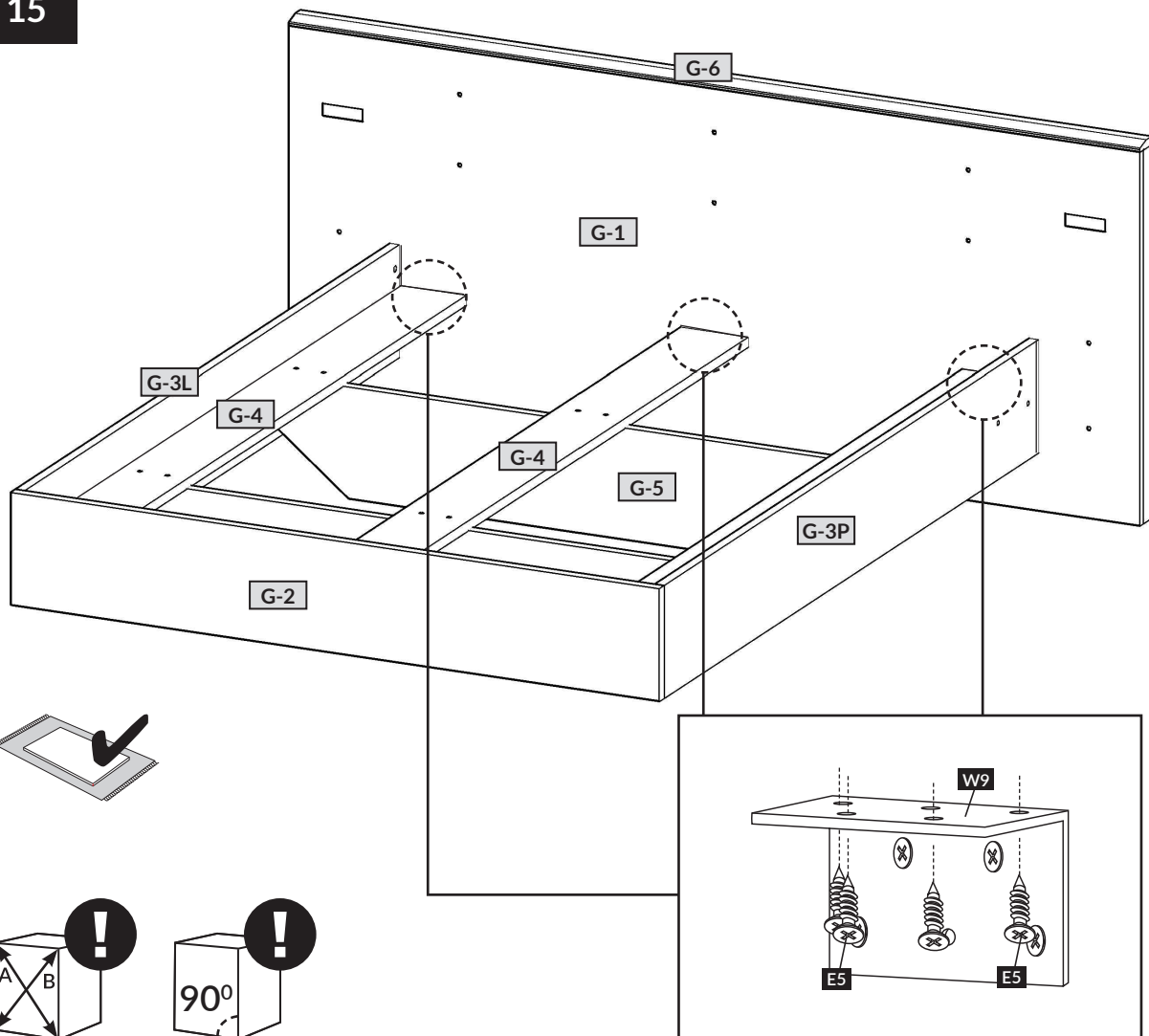
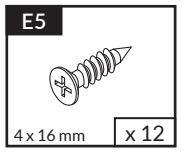
13



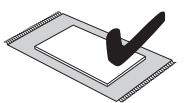
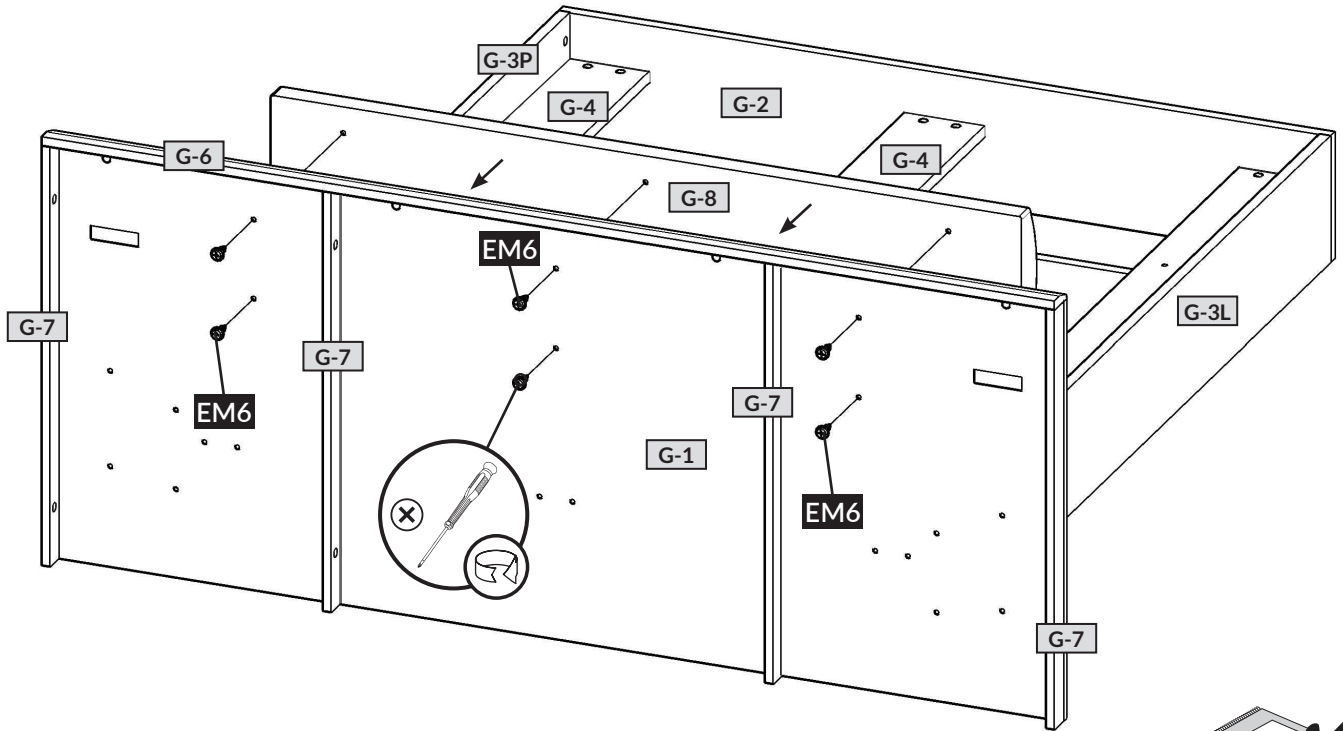
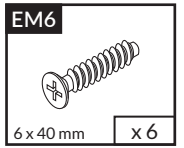
14



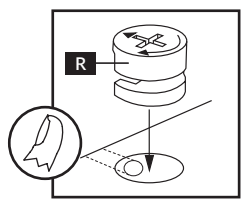
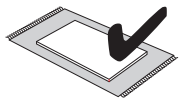
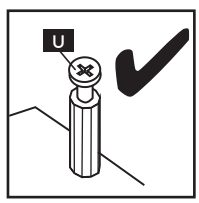
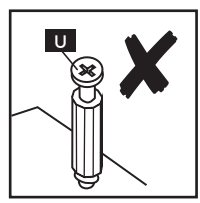
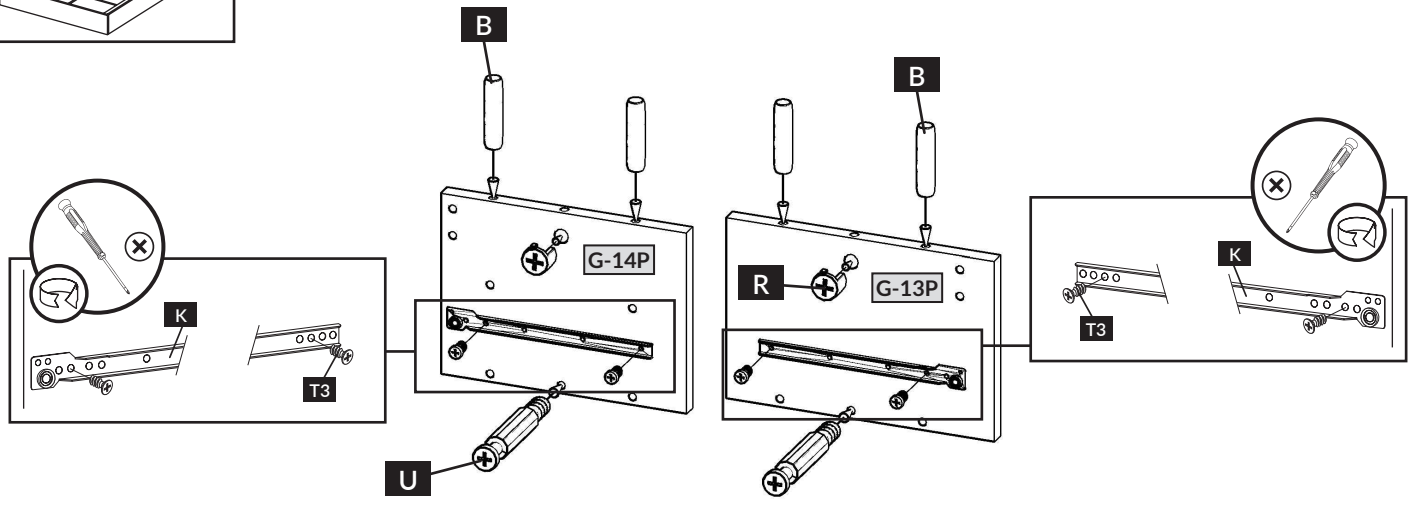
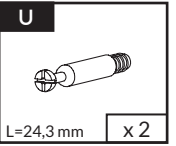
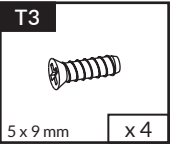
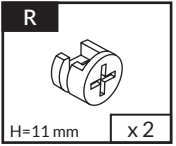
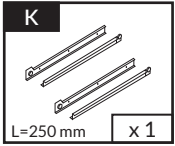
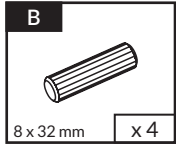
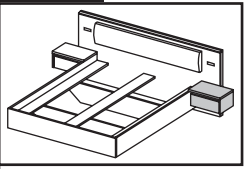
15



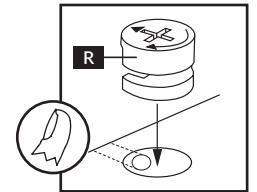
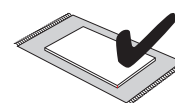
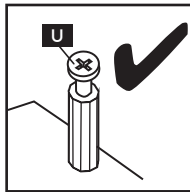
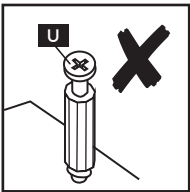
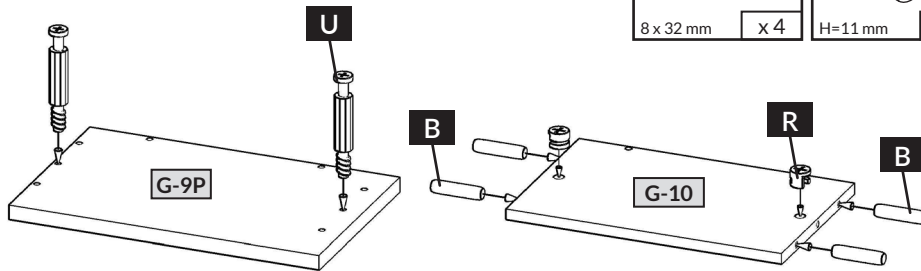
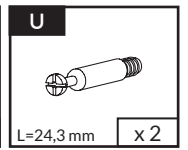
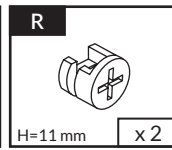
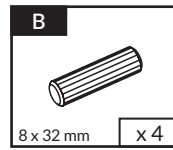
16



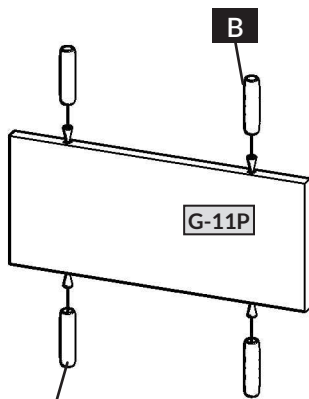
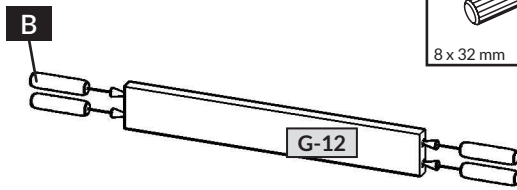
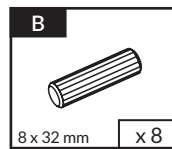
17



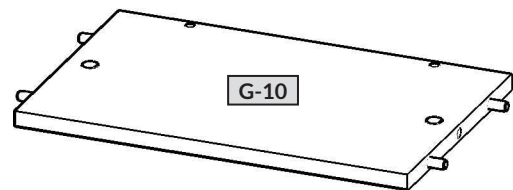
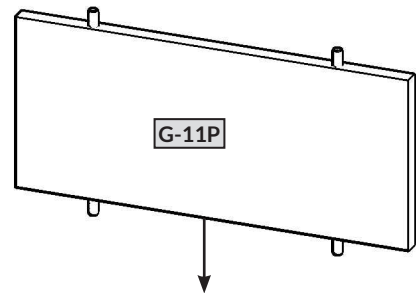
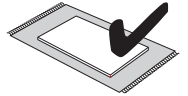
18



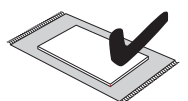
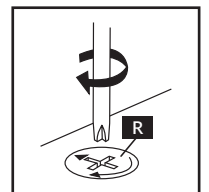
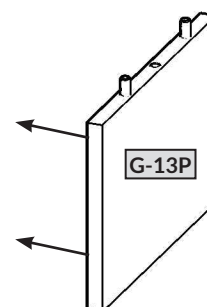
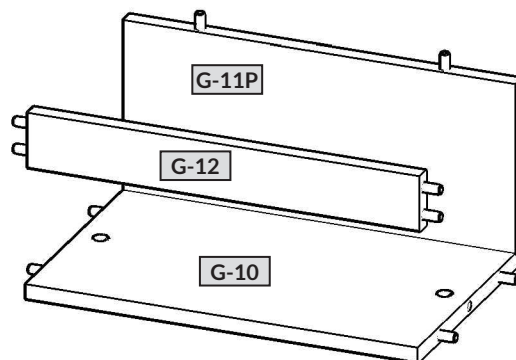
19



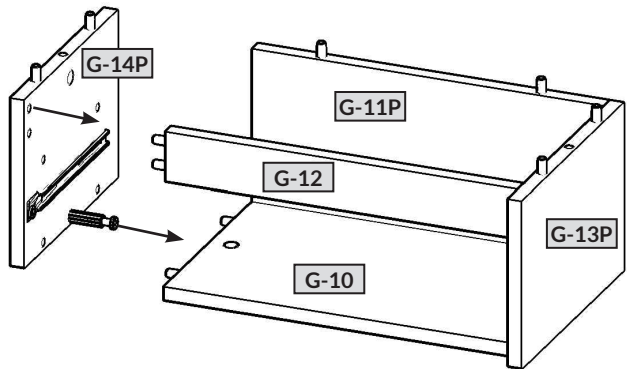
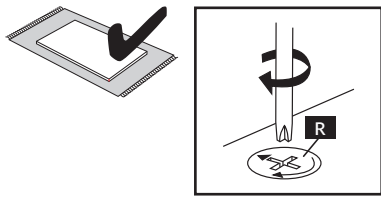
20



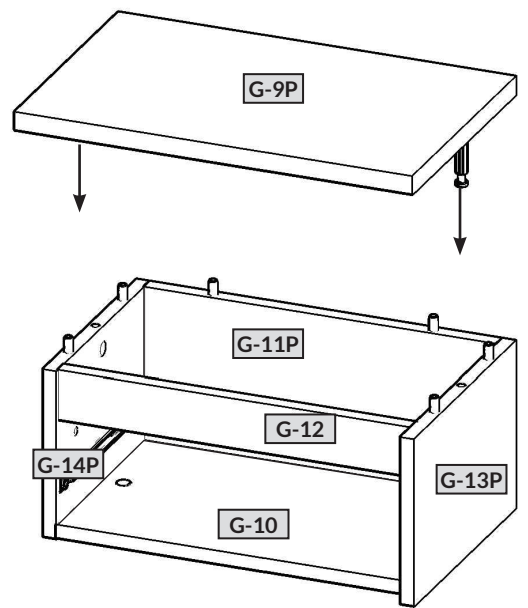
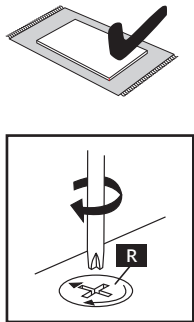
21



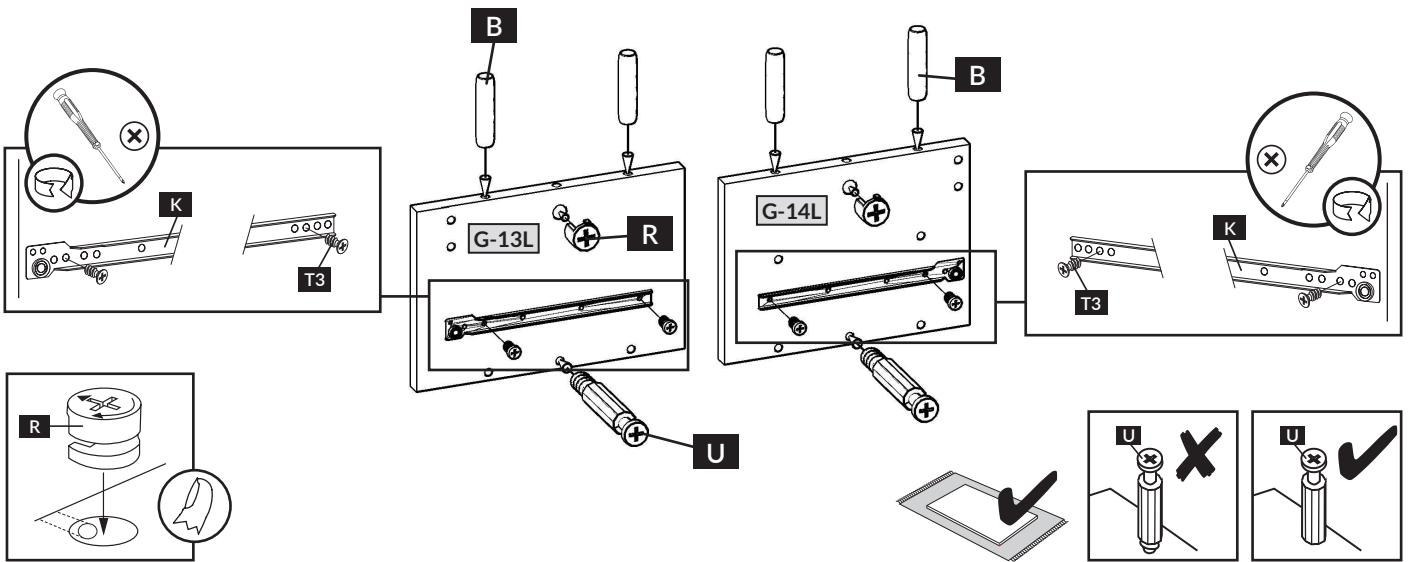
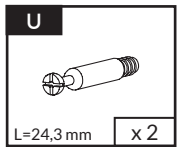
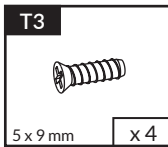
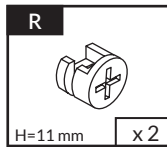
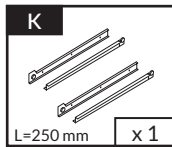
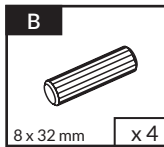
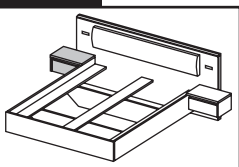
22



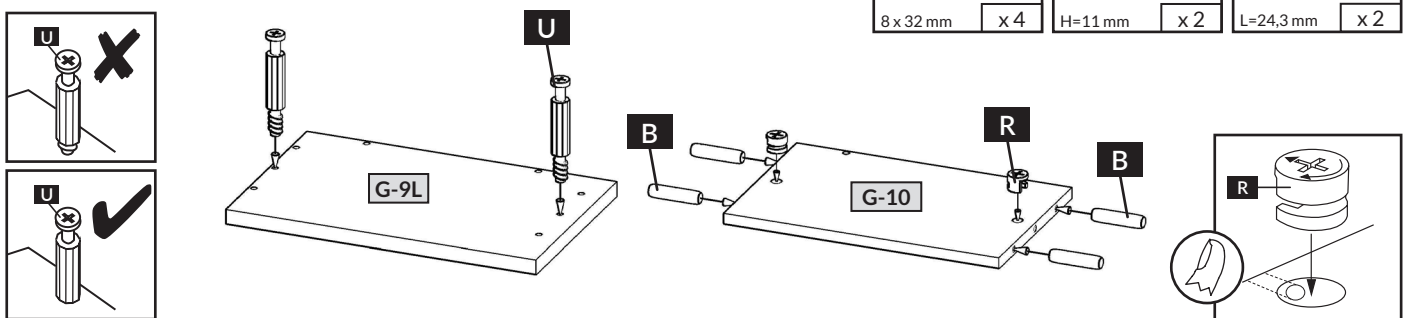
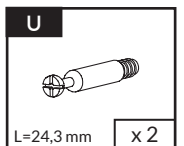
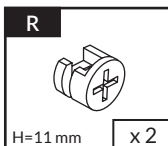
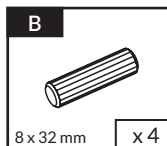
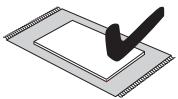
23



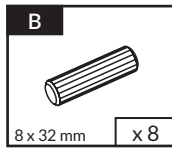
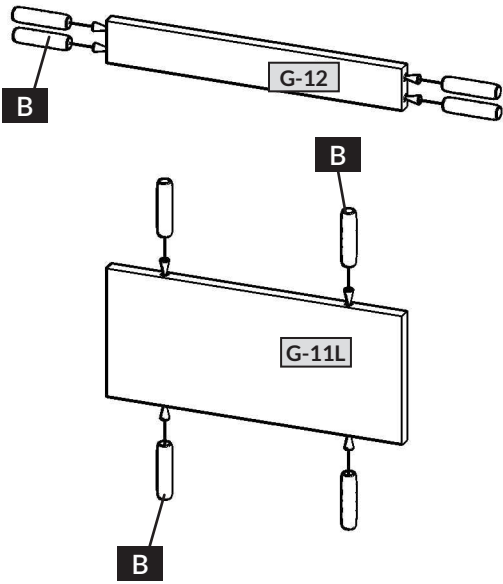
24



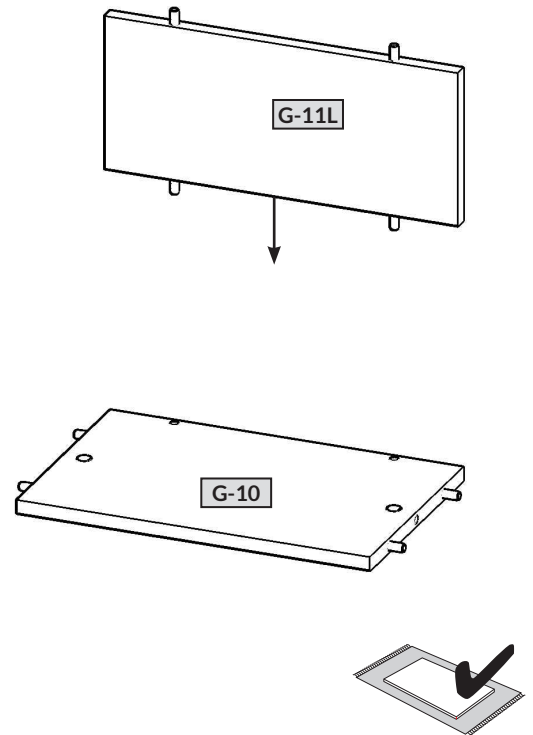
25



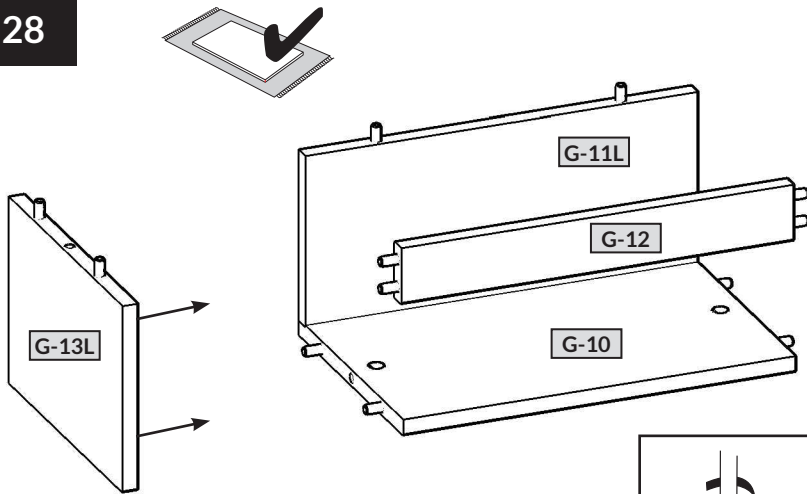
26



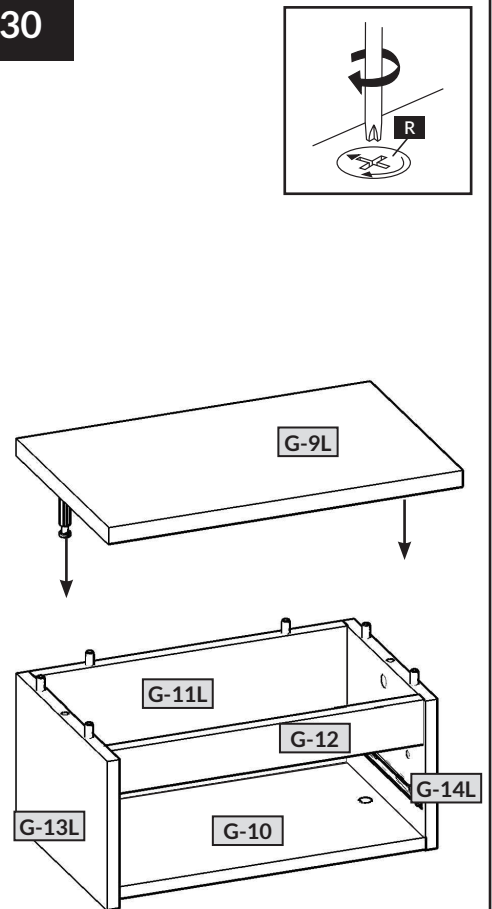
27



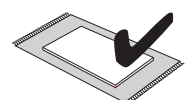
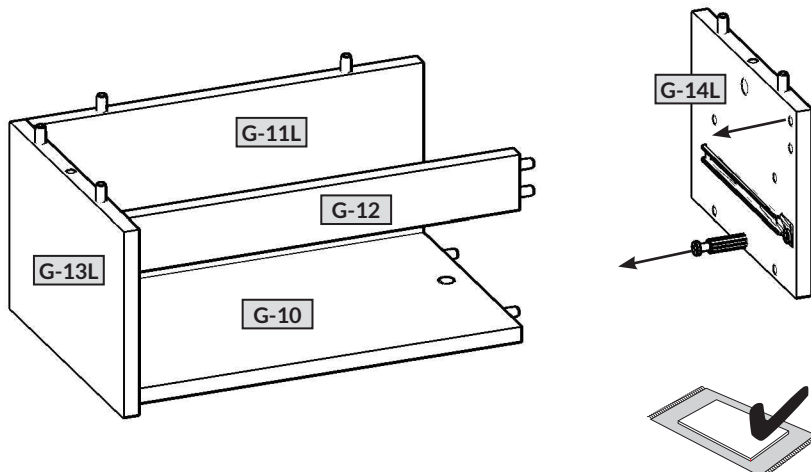
28



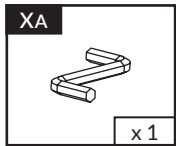
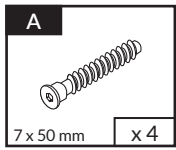
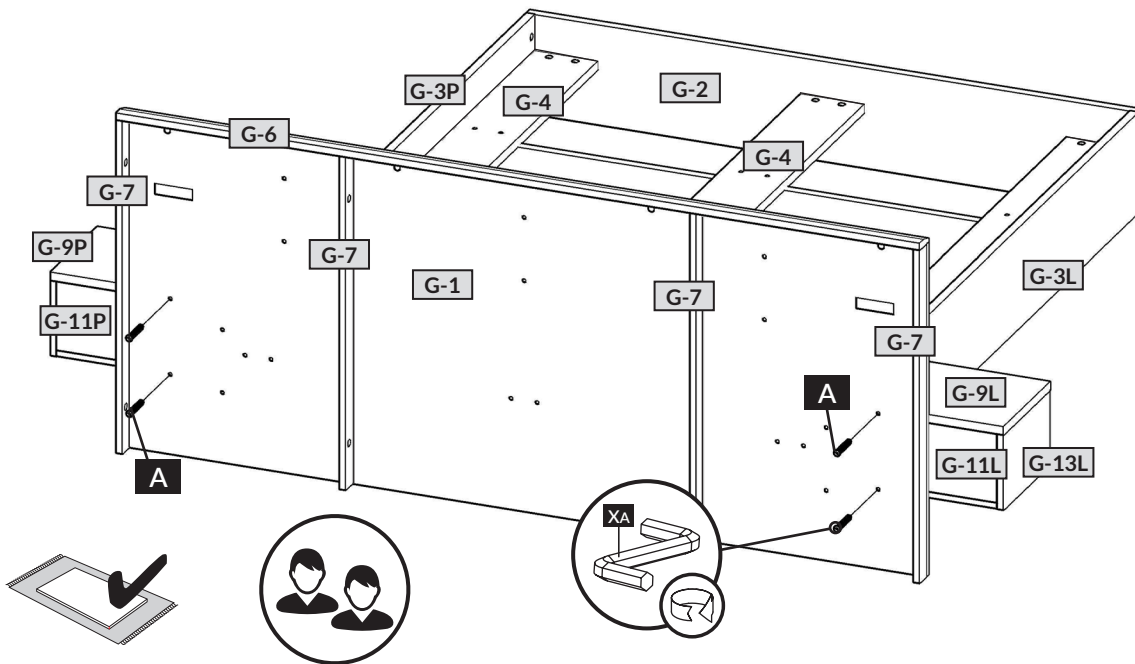
30



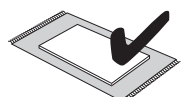
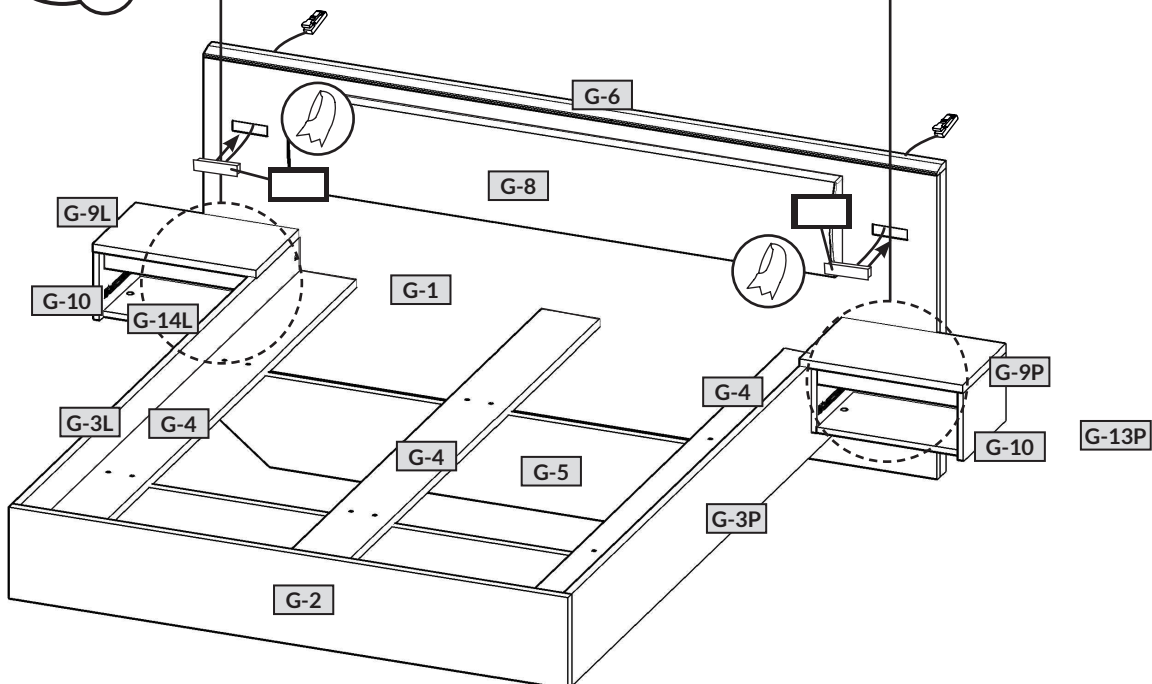
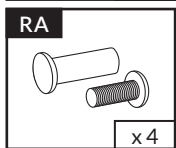
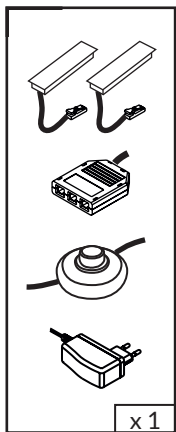
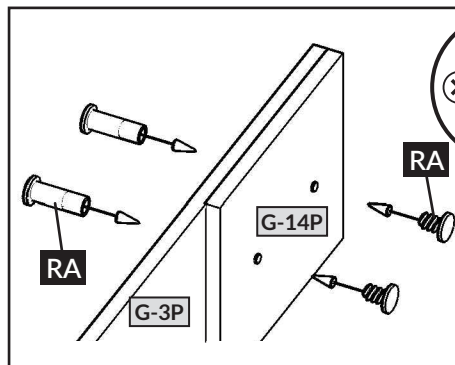
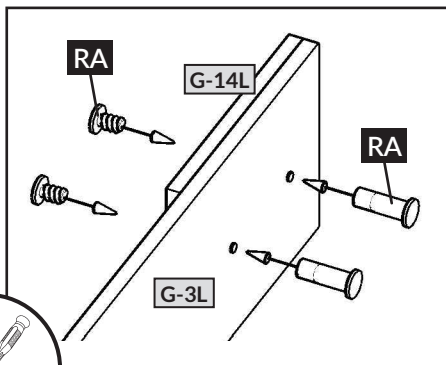
29



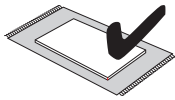
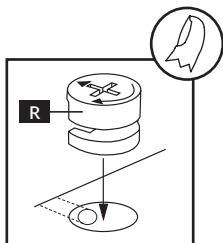
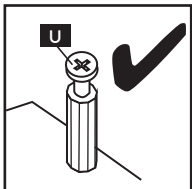
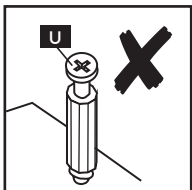
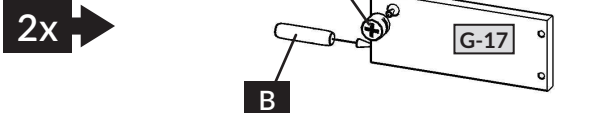
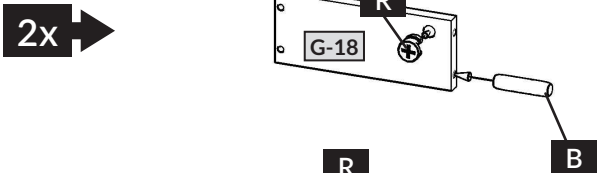
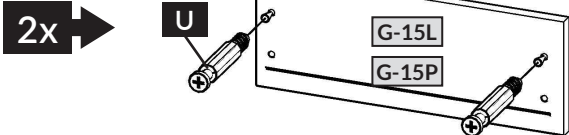
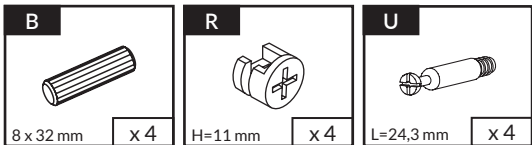
31



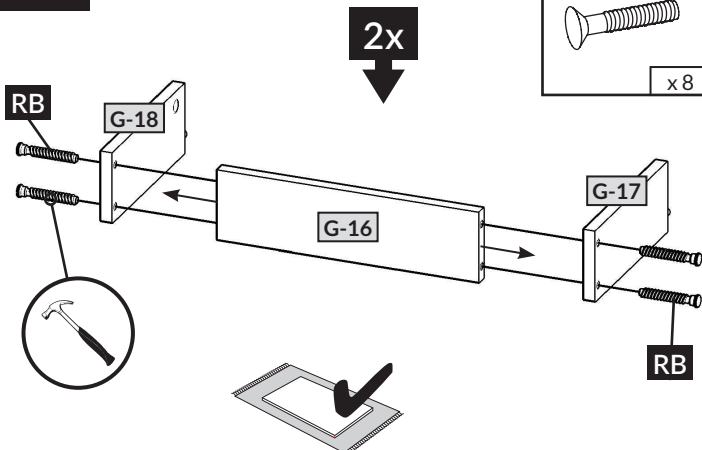
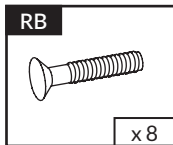
32



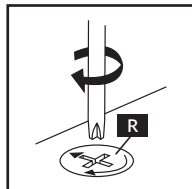
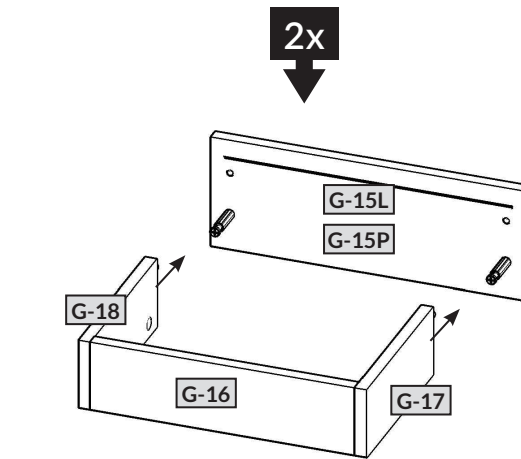
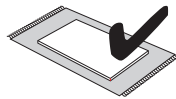
33



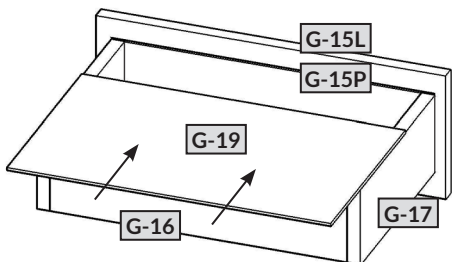
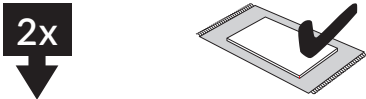
34



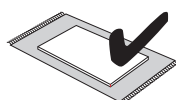
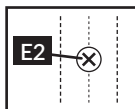
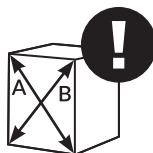
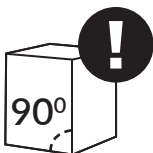
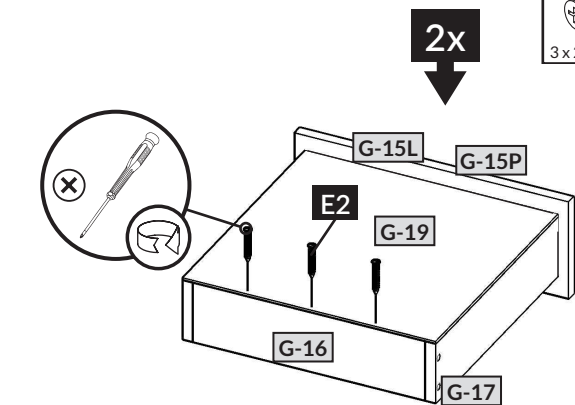
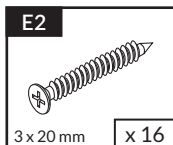
35



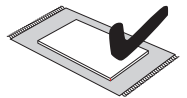
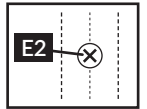
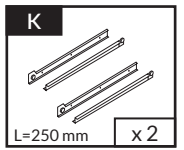
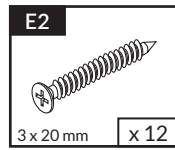
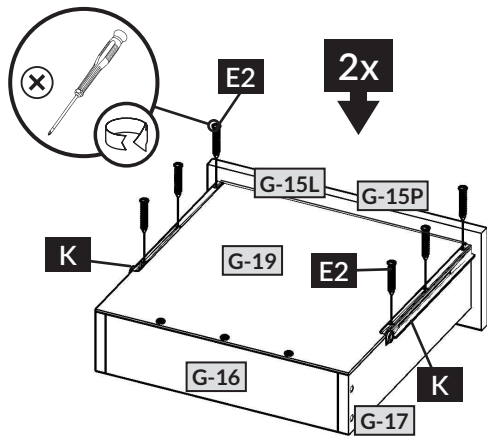
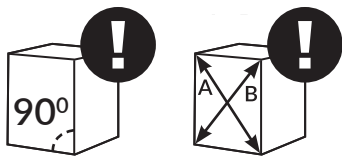
36



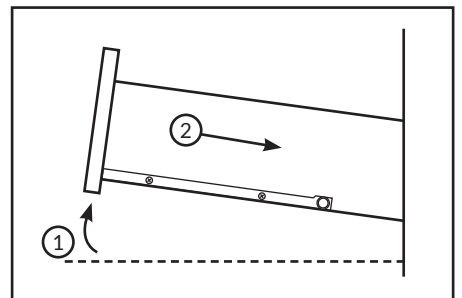
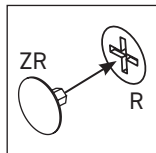
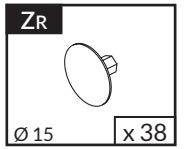
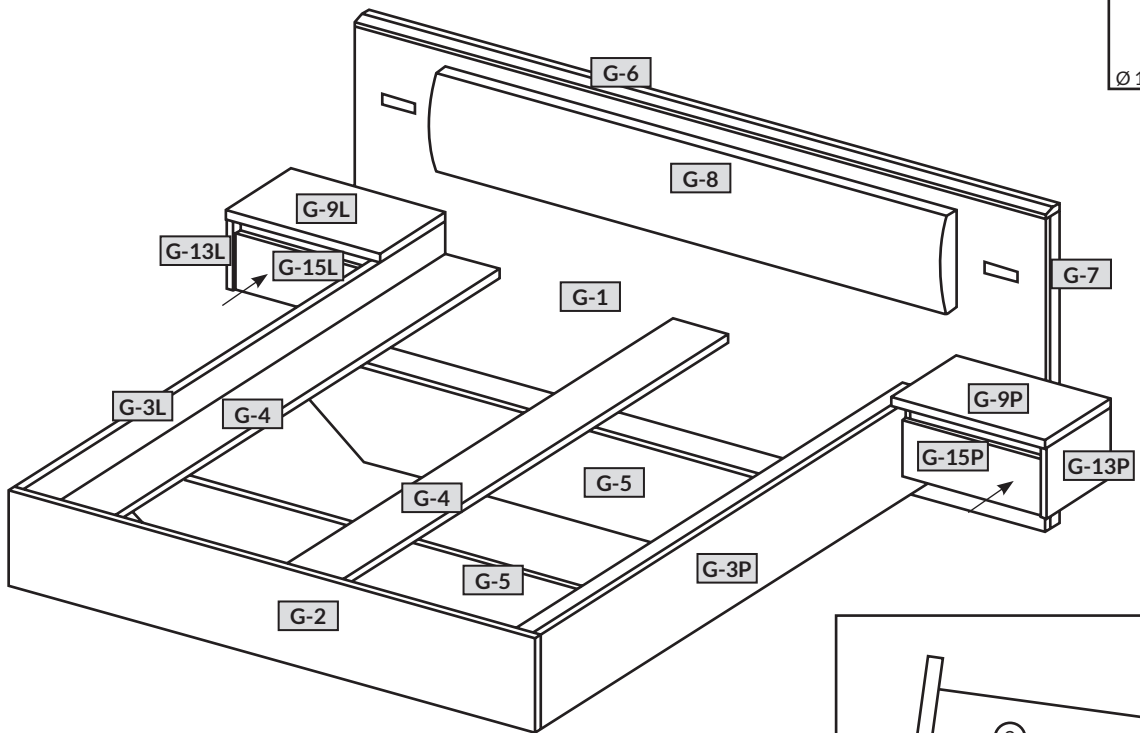
37

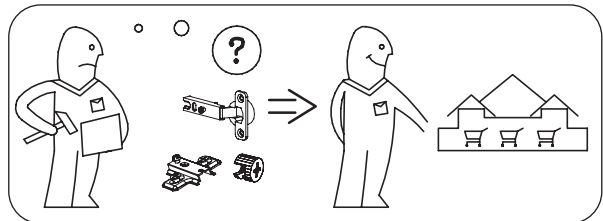
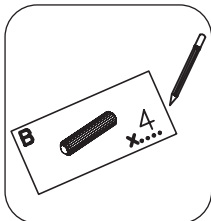
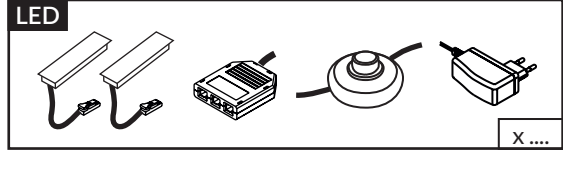
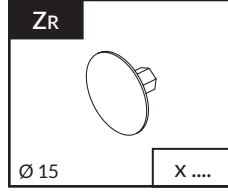
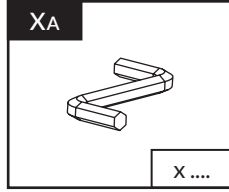
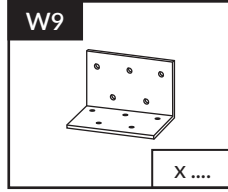
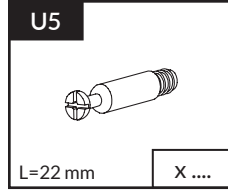
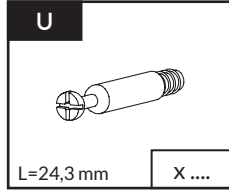
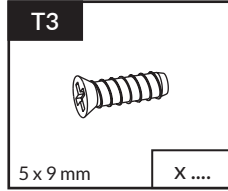
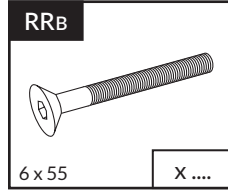
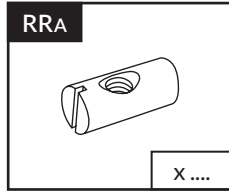
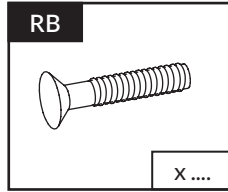
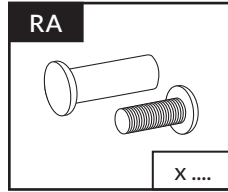
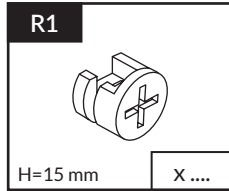
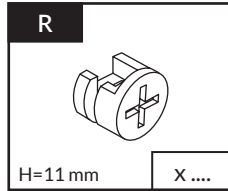
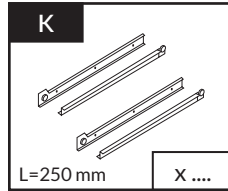
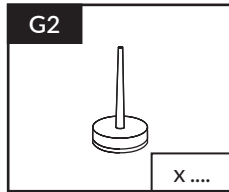
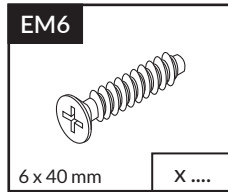
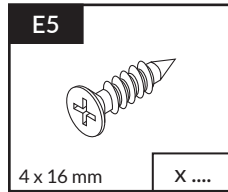
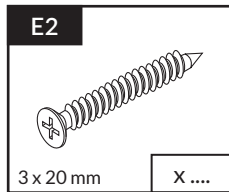
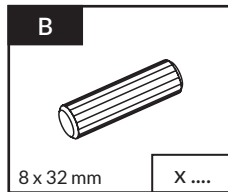
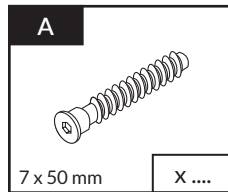


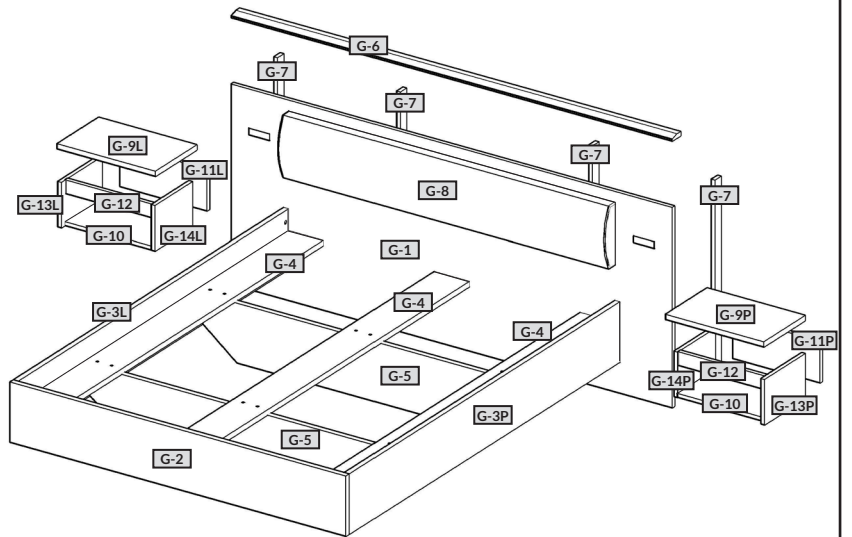
38



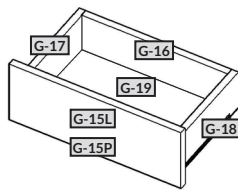
39







2x



G-1	2158	900	16	x 1	1/2
G-2	1644	274	22	x 1	2/2
G-3L	2000	270	22	x 1	2/2
G-3P	2000	270	22	x 1	2/2
G-4	2000	170	16	x 3	2/2
G-5	1600	268	22	x 2	1/2
G-6	2158	60	18	x 1	1/2
G-7	900	44	16	x 4	2/2
G-8	1600	280	75	x 1	2/2
G-9L	480	305	22	x 1	1/2
G-9P	480	305	22	x 1	1/2
G-10	426	275	16	x 2	1/2
G-11L	426	186	16	x 1	1/2
G-11P	426	186	16	x 1	1/2
G-12	426	60	16	x 2	2/2
G-13L	300	203	16	x 1	2/2
G-13P	300	203	16	x 1	2/2
G-14L	275	203	16	x 1	2/2
G-14P	275	203	16	x 1	2/2
G-15L	438	162	16	x 1	1/2
G-15P	438	162	16	x 1	1/2
G-16	372	100	16	x 2	2/2
G-17	250	100	16	x 2	2/2
G-18	250	100	16	x 2	2/2
G-19	403	257	3	x 2	1/2

