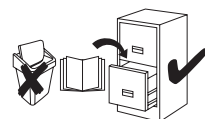
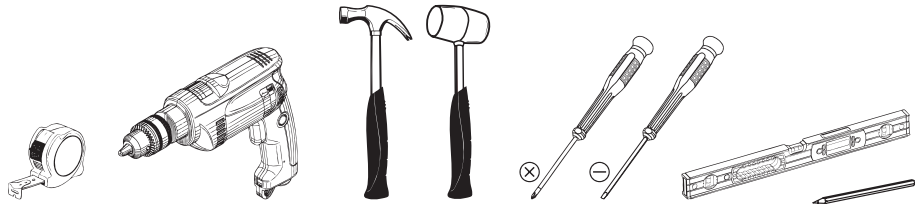
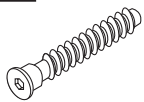
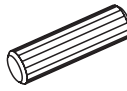
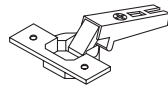
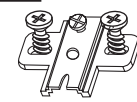
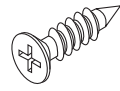
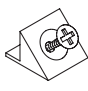
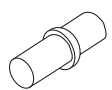
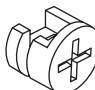
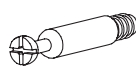
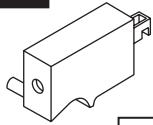
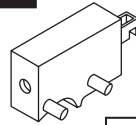
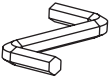



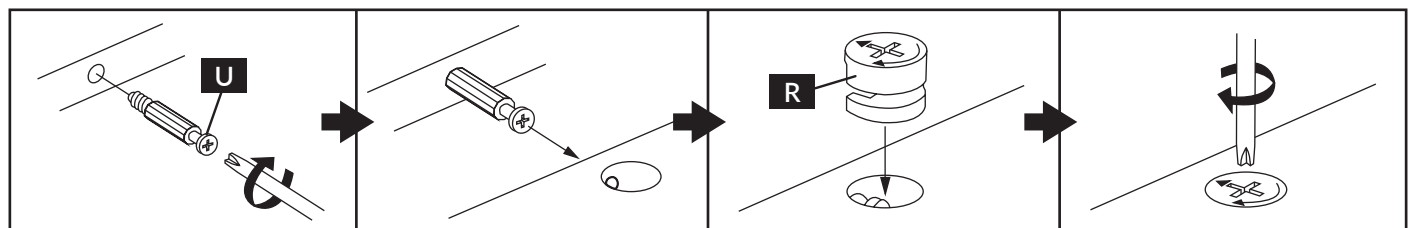
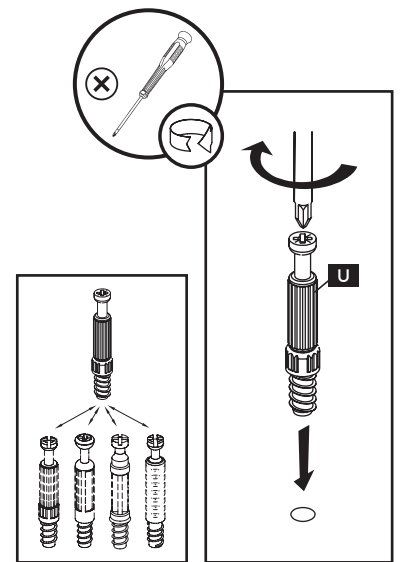
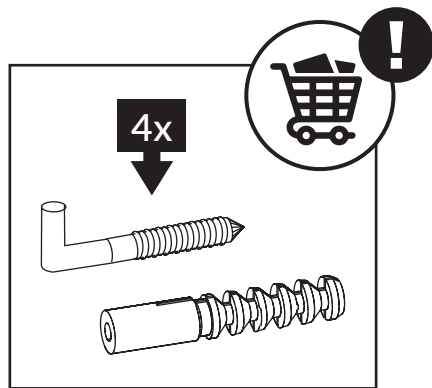


 110



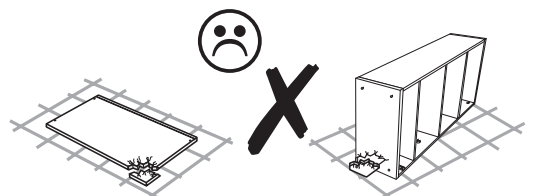
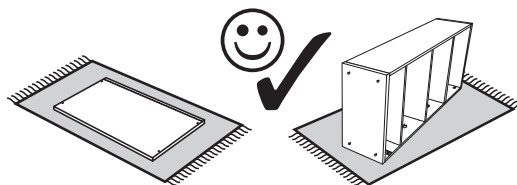
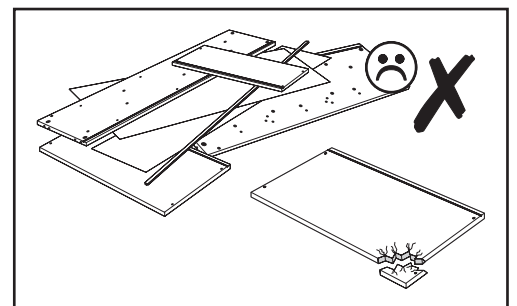
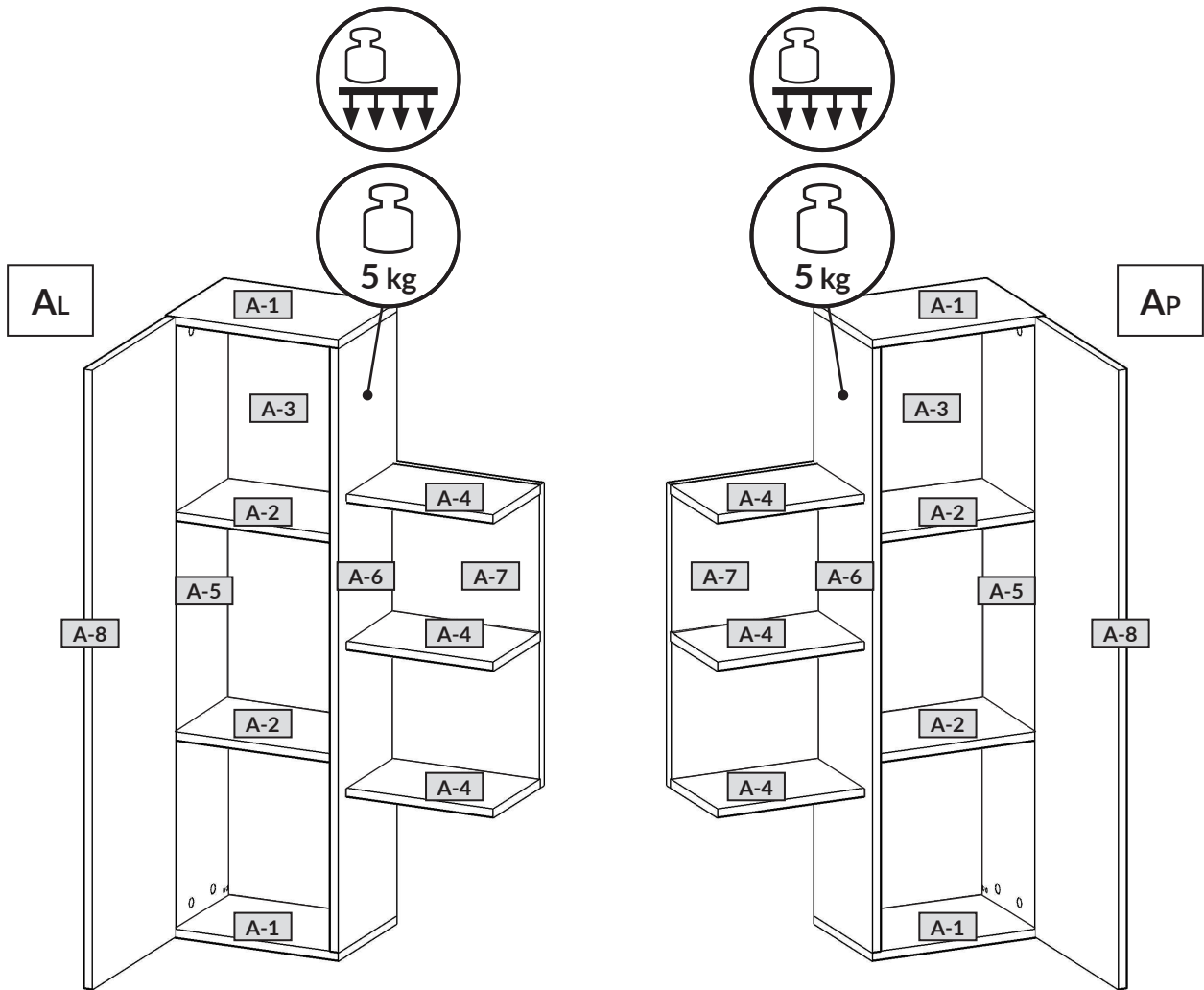
A:

A  7 x 50 mm x 24	B  8 x 32 mm x 16	C  (P) x 4	DT  x 4	E  3,5 x 13 mm x 8	H1  x 16	
P  x 16	R  H=11 mm x 16	U  L=24,3 mm x 16	V2L  x 2	V2P  x 2	XA  x 1	
ZA  Ø 4 x 12	ZR  Ø 15 x 16	Z10  Ø 10 x 8				

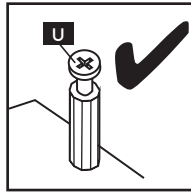
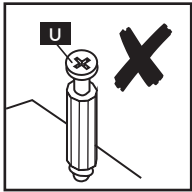
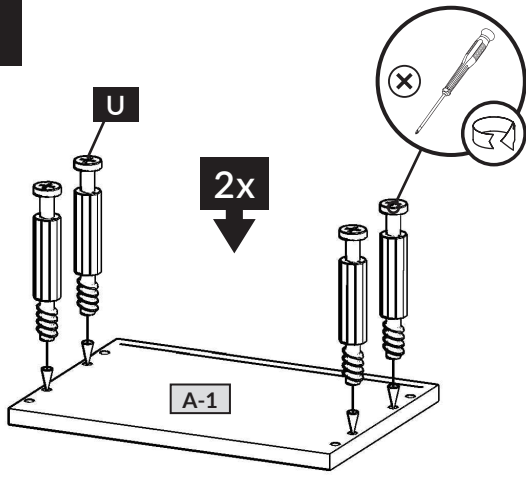


1	A-1	350 / 250 / 16 mm	x 4
2	A-2	318 / 230 / 16 mm	x 4
3	A-3	332 / 1182 / 16 mm	x 2
4	A-4	300 / 200 / 16 mm	x 6

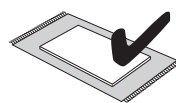
5	A-5	1168 / 250 / 16 mm	x 2
6	A-6	1168 / 250 / 16 mm	x 2
7	A-7	300 / 584 / 16 mm	x 2
8	A-8	358 / 1196 / 16 mm	x 2



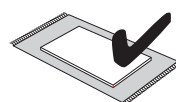
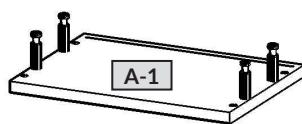
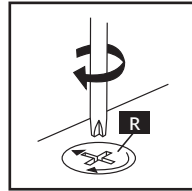
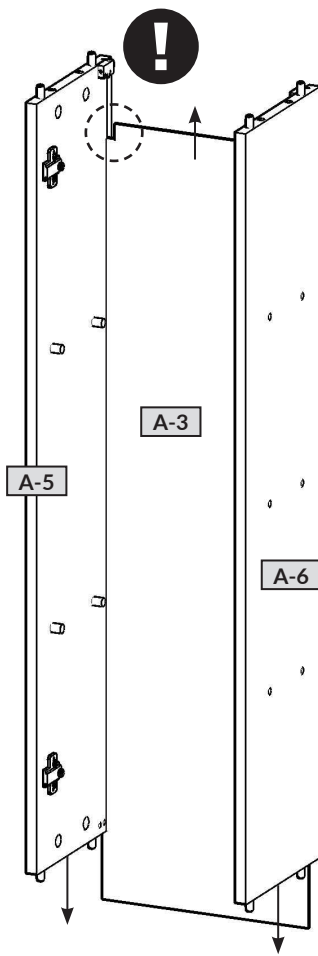
AL / 1



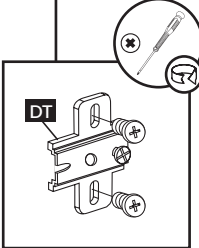
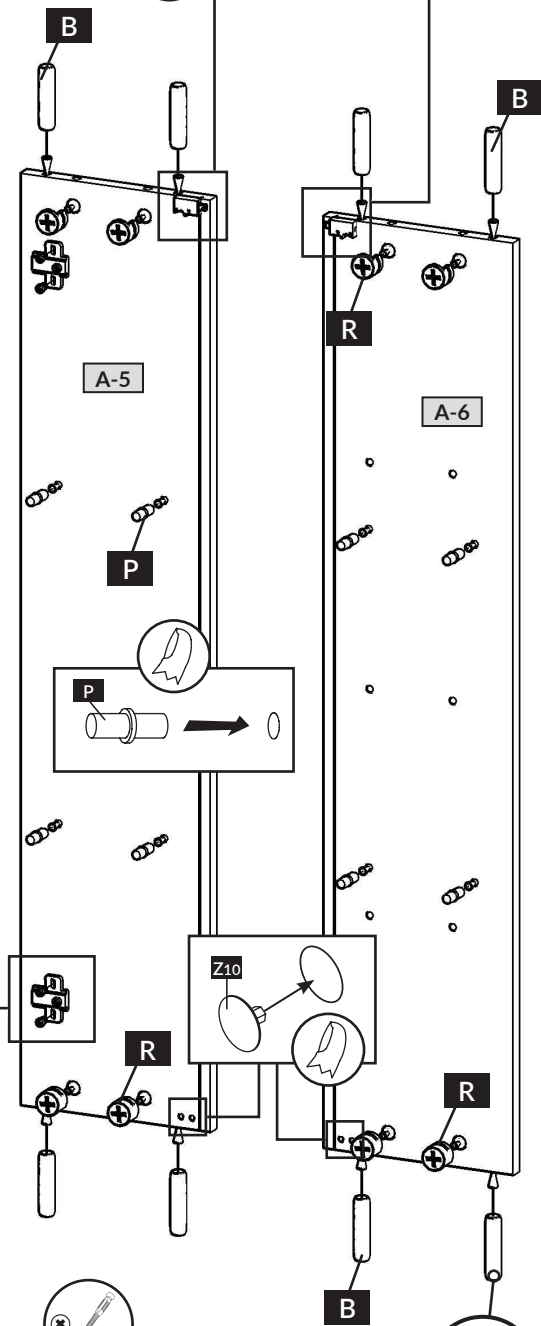
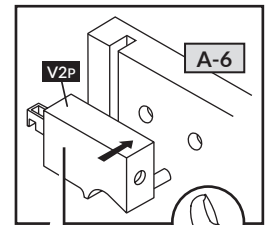
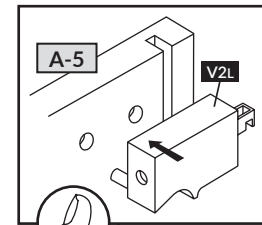
U x 8



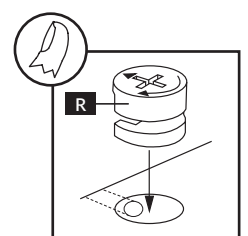
AL / 3



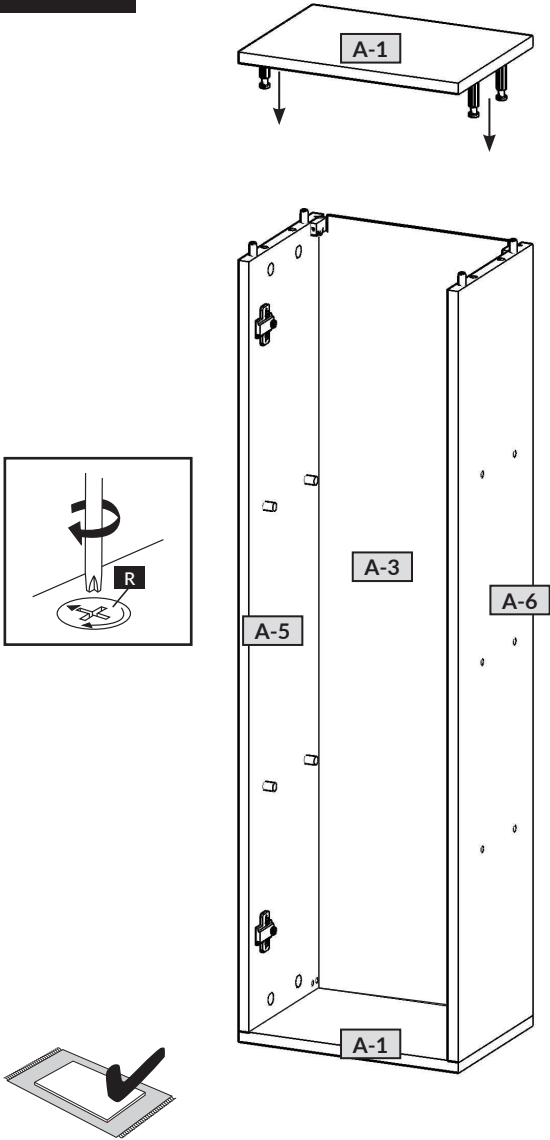
AL / 2



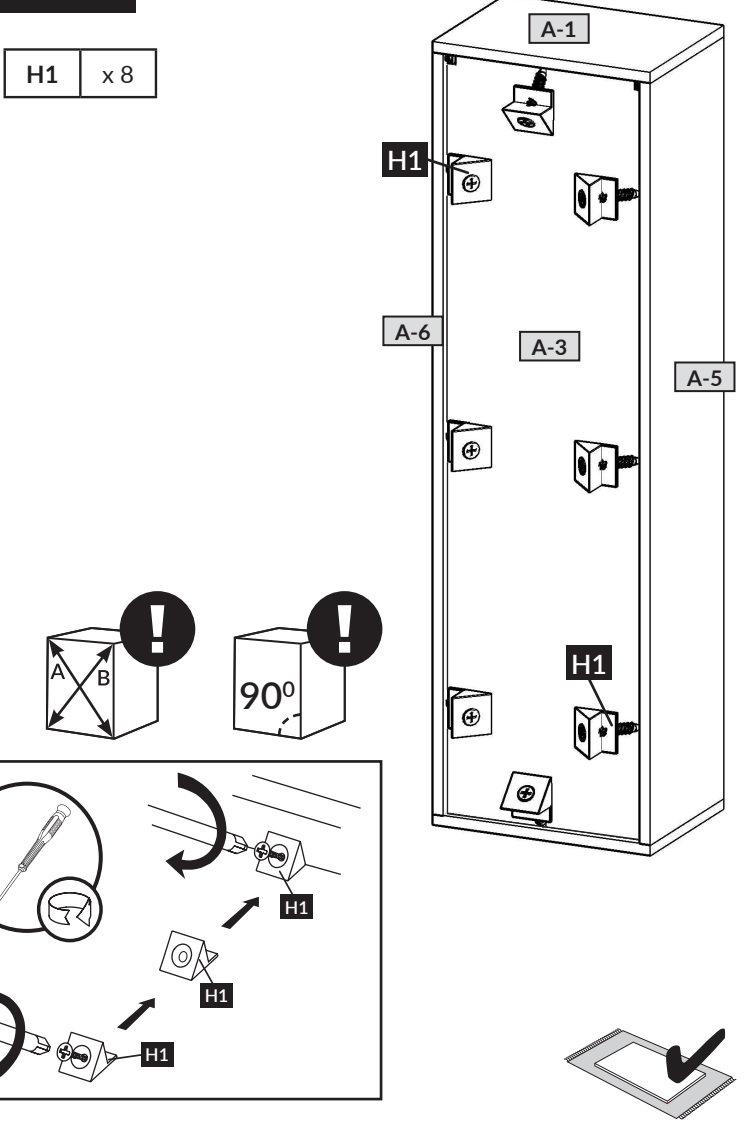
B	x 8
DT	x 2
P	x 8
R	x 8
V2L	x 1
V2P	x 1
Z10	x 4



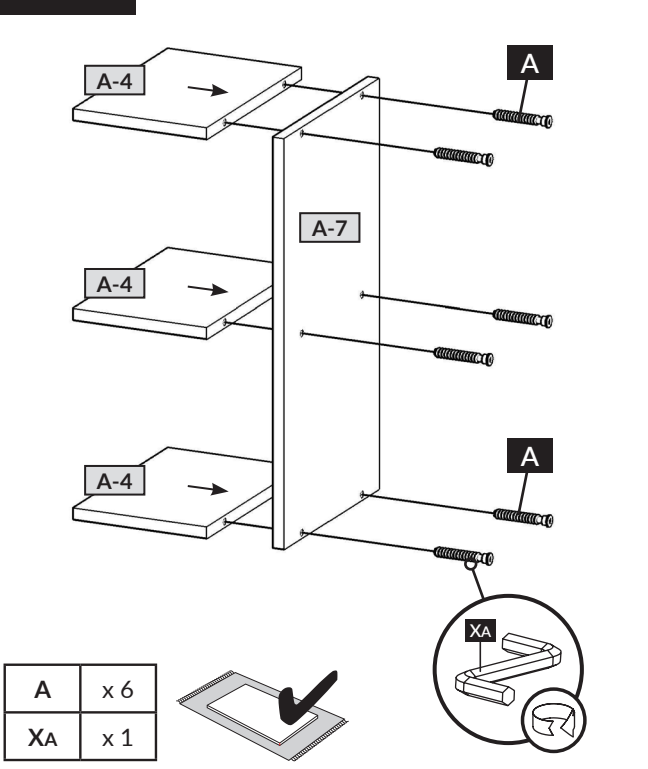
AL / 4



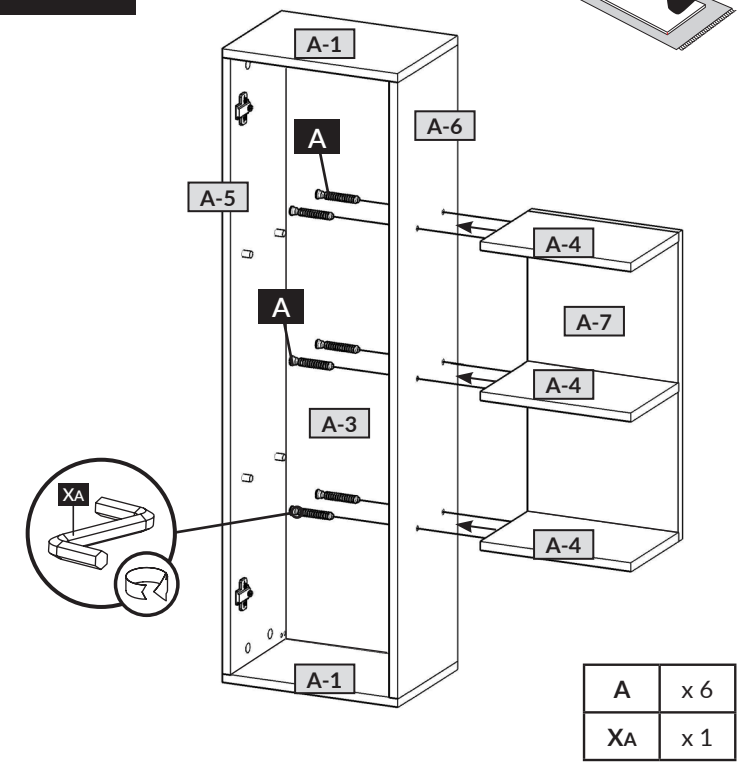
AL / 5



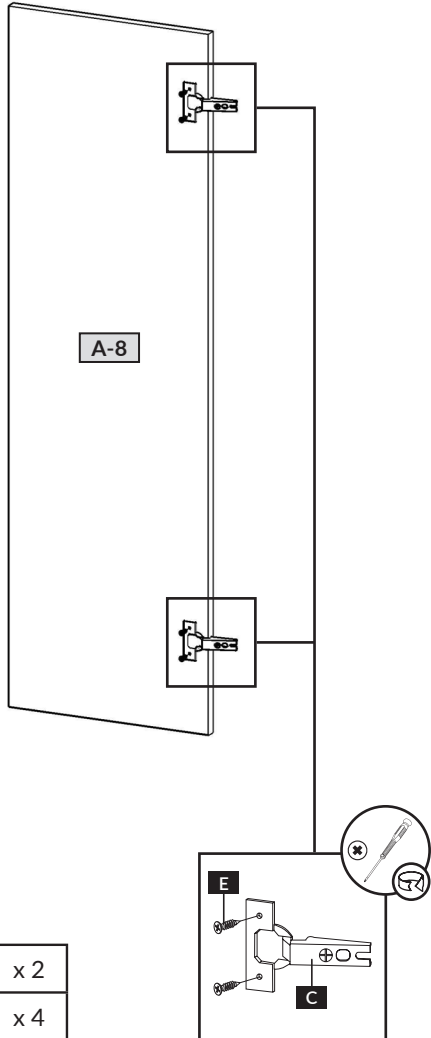
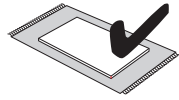
AL / 6



AL / 7



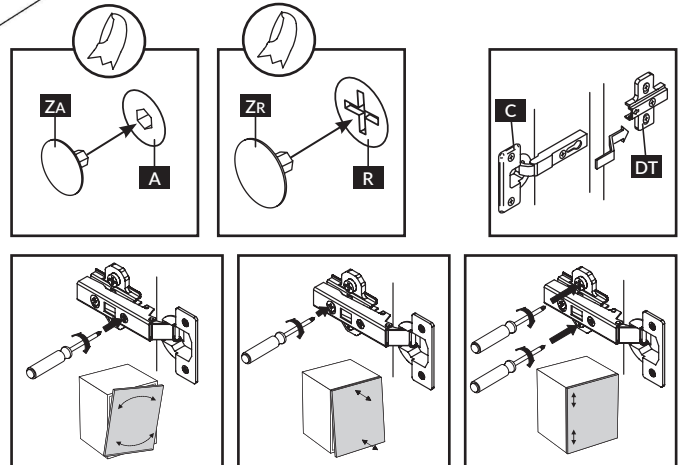
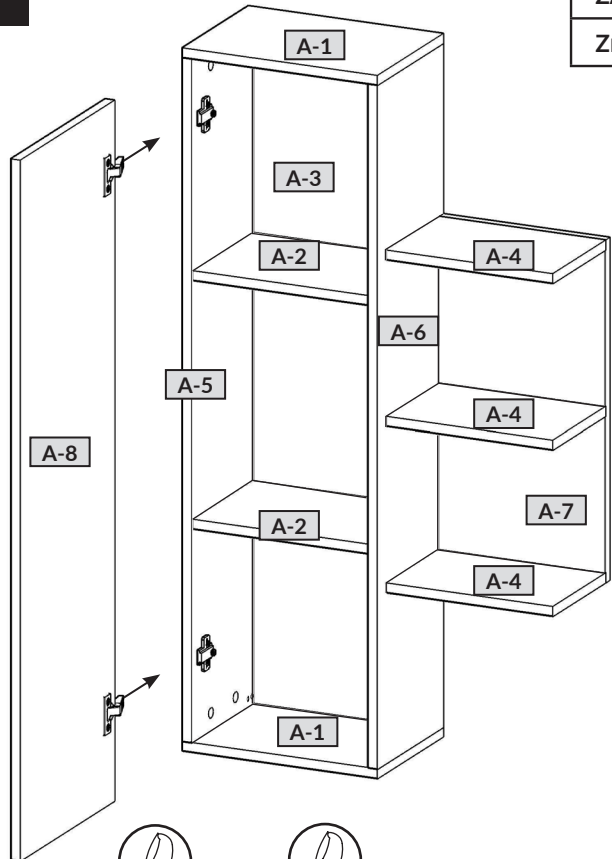
AL / 8



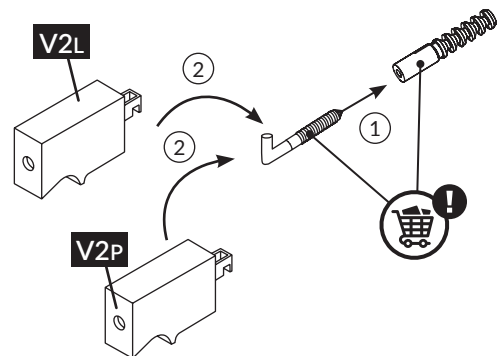
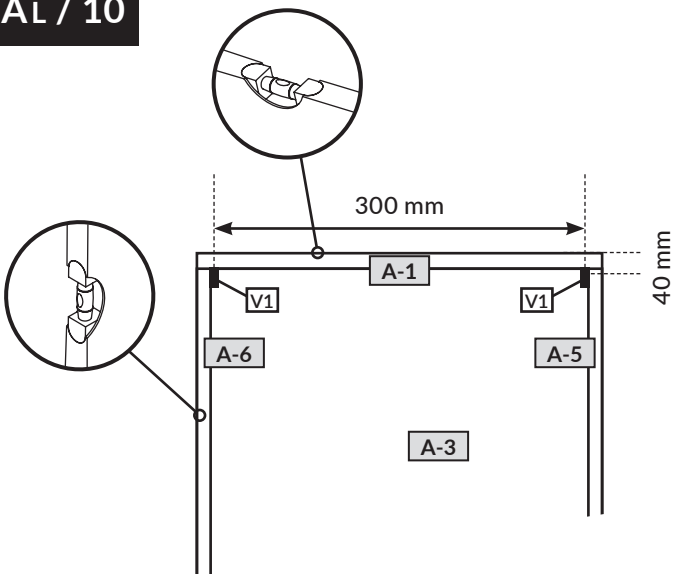
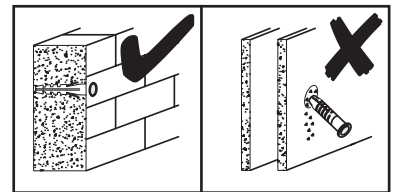
C	x 2
E	x 4

AL / 9

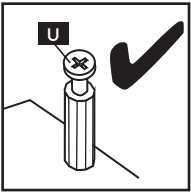
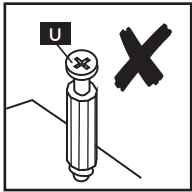
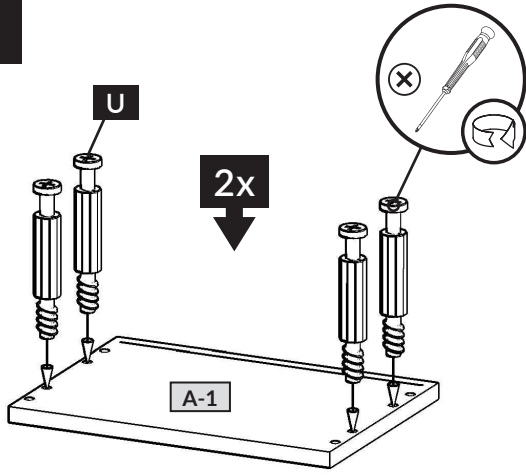
ZA	x 6
ZR	x 8



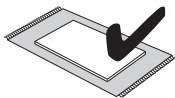
AL / 10



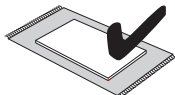
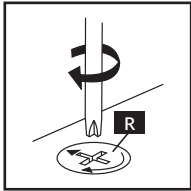
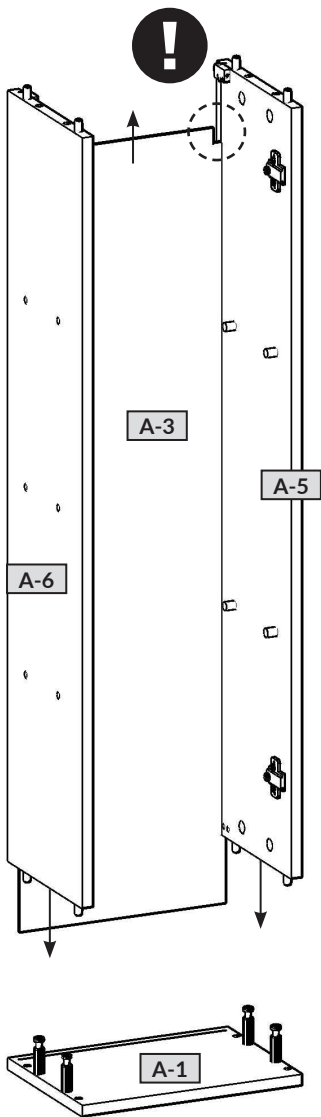
AP / 1



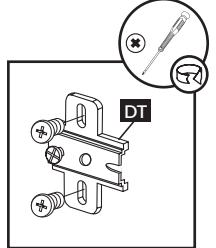
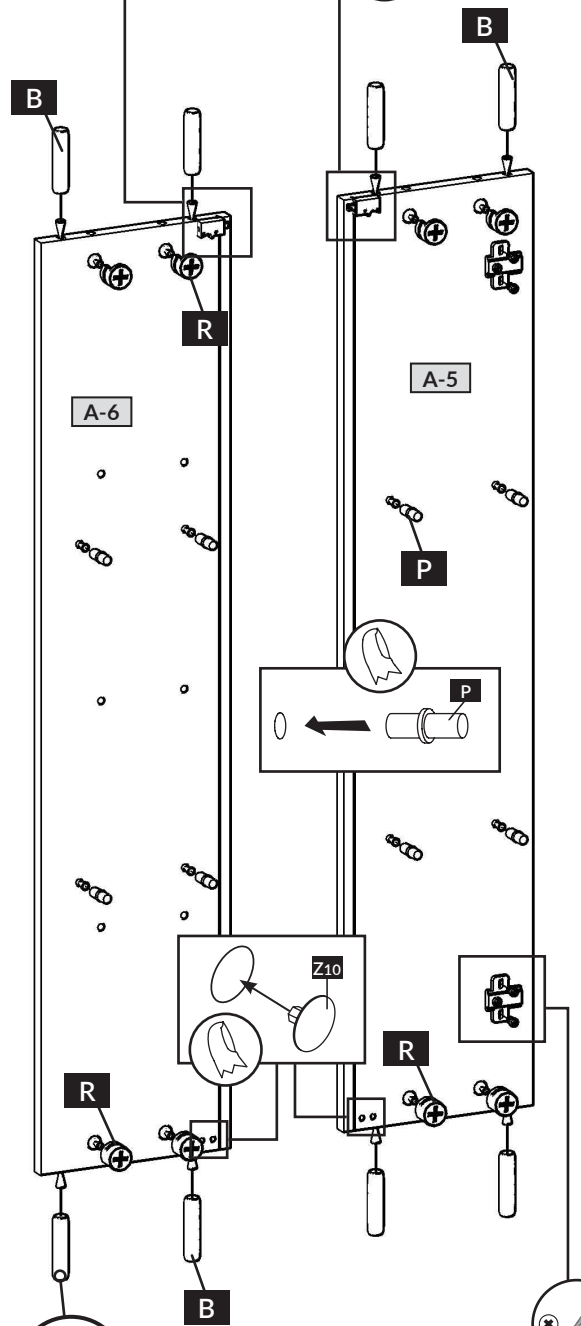
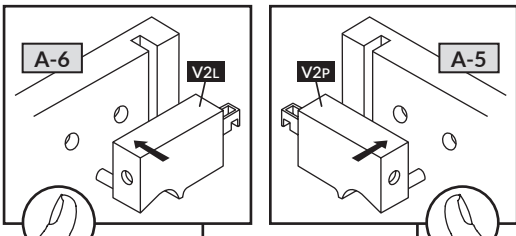
U x 8



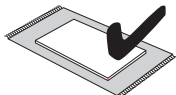
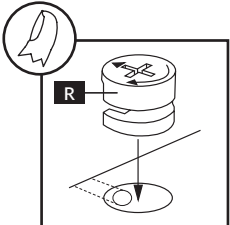
AP / 3



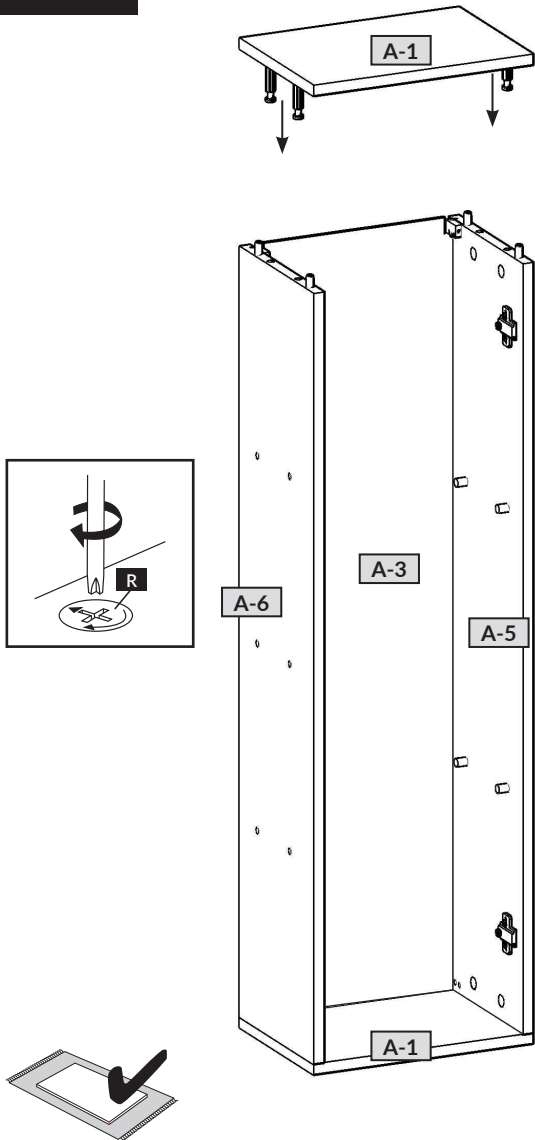
AP / 2



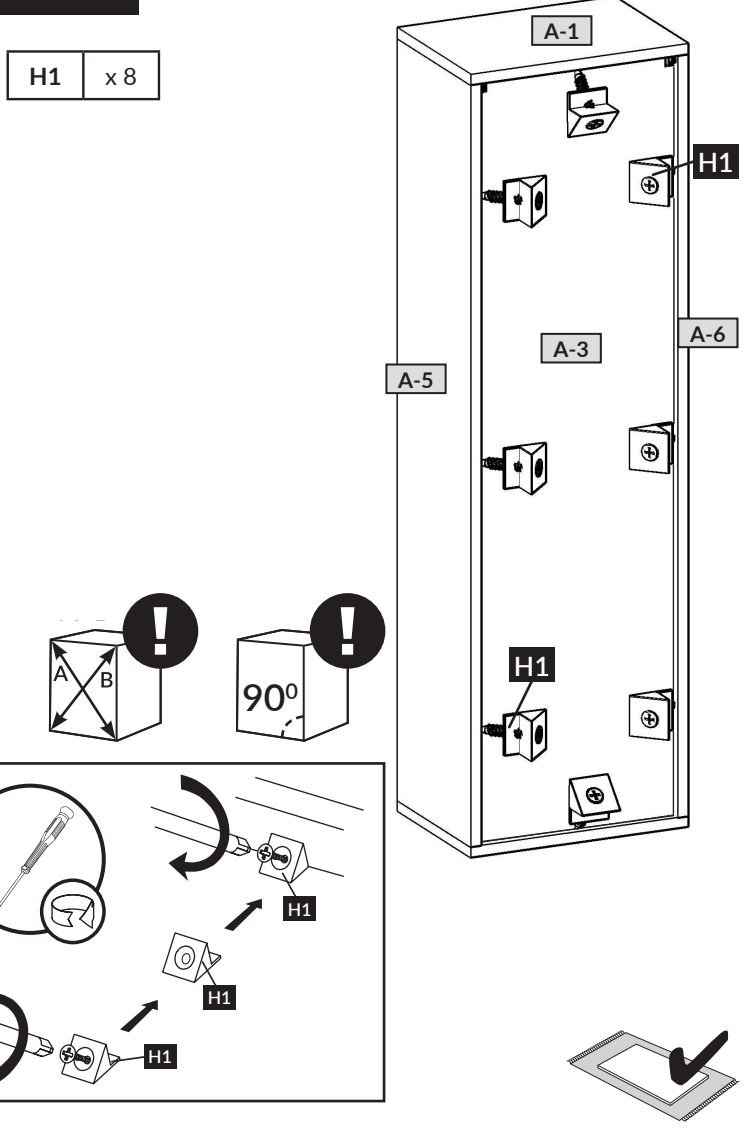
B	x 8
DT	x 2
P	x 8
R	x 8
V2L	x 1
V2P	x 1
Z10	x 4



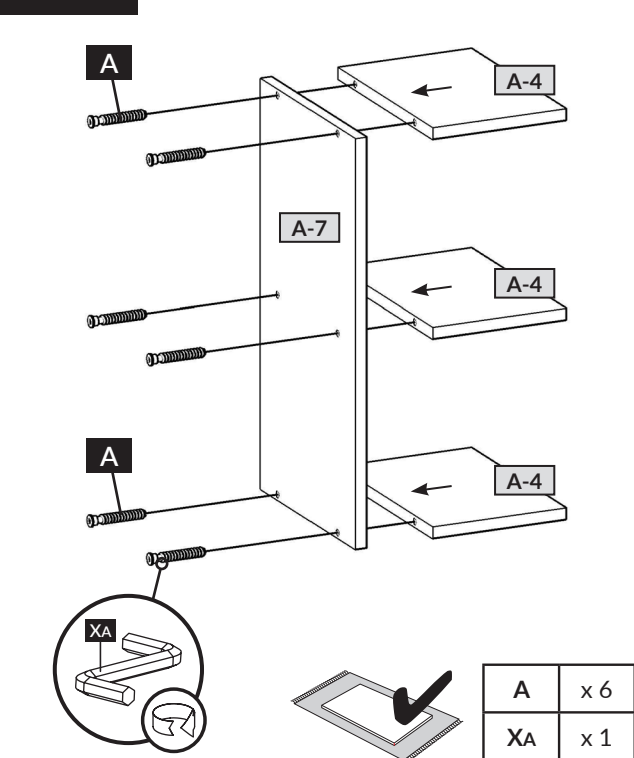
AP / 4



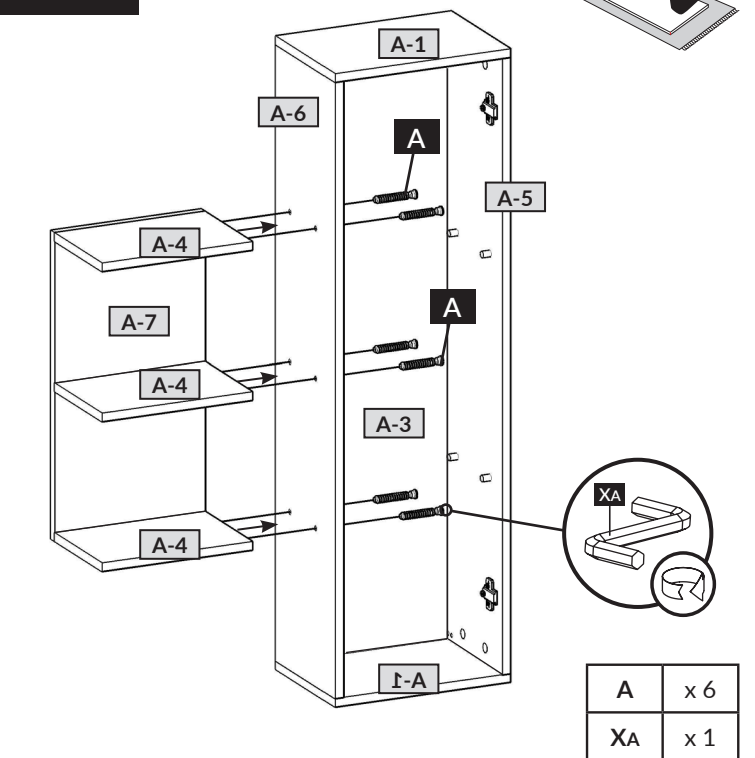
AP / 5



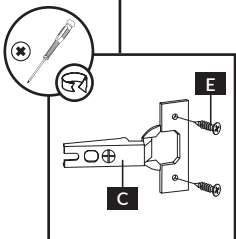
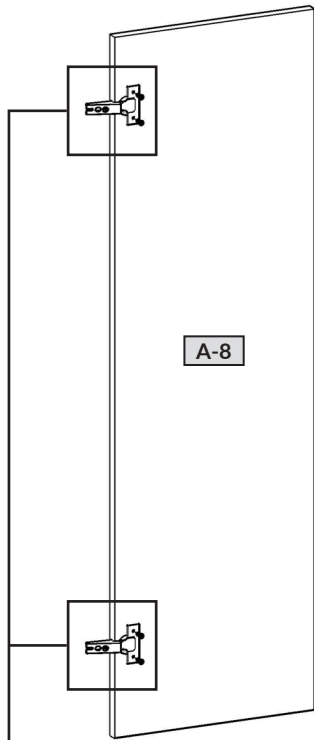
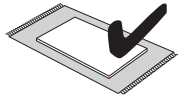
AP / 6



AP / 7



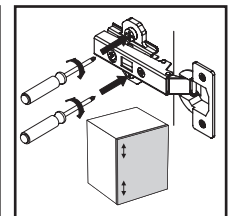
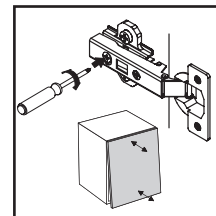
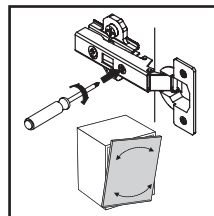
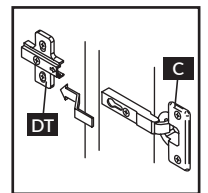
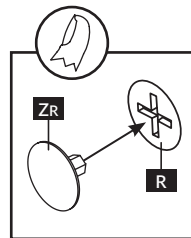
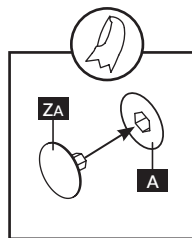
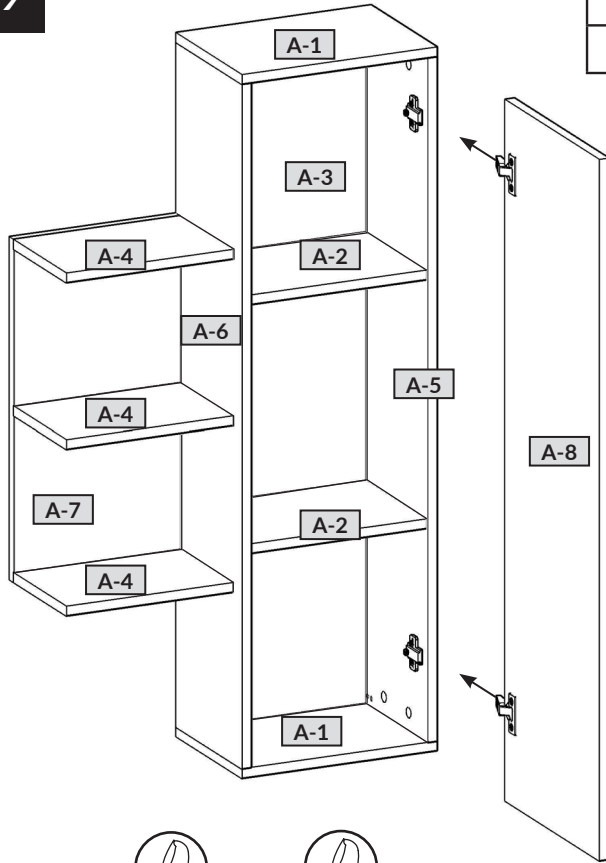
AP / 8



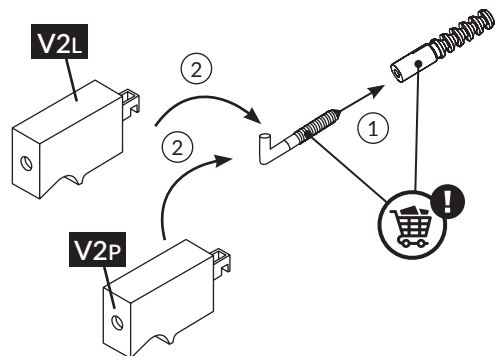
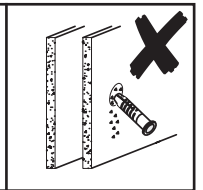
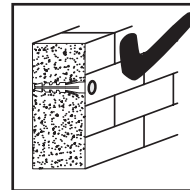
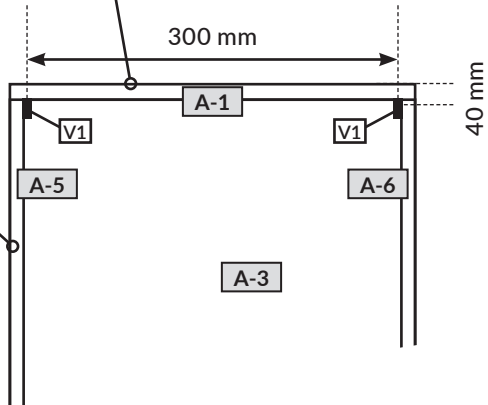
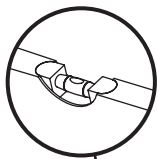
C	x 2
E	x 4

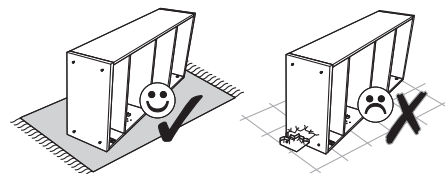
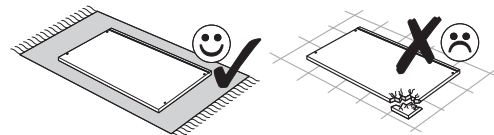
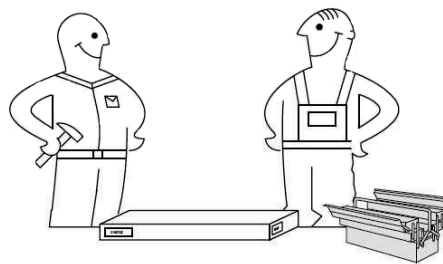
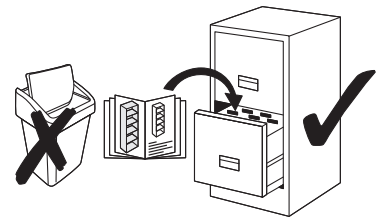
AP / 9

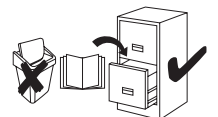
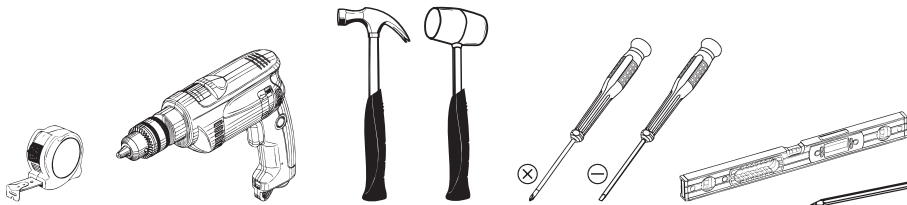
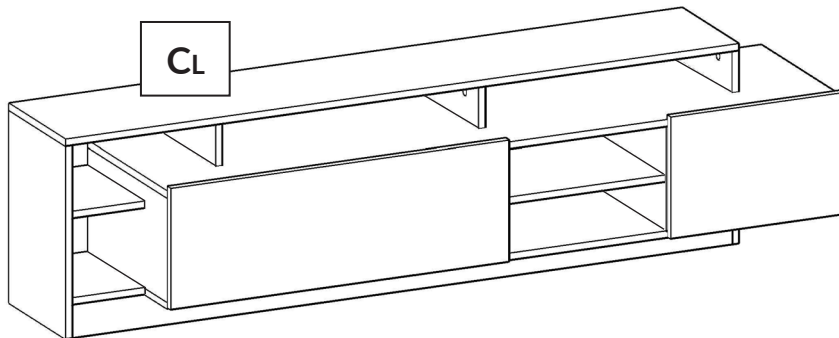
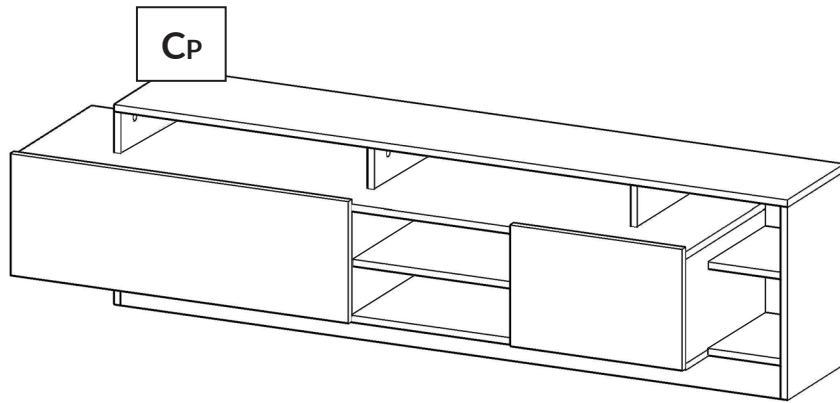
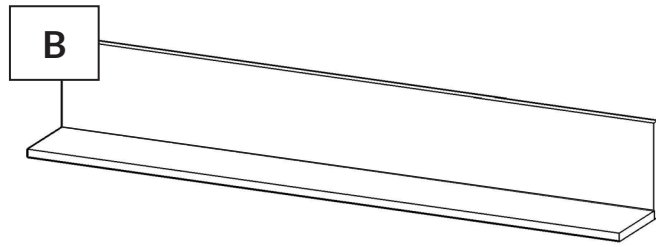
ZA	x 6
ZR	x 8



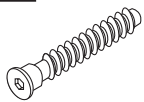


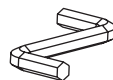
AP / 10



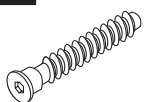
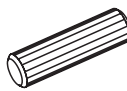
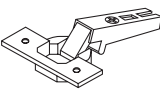
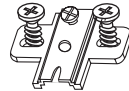
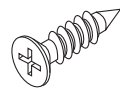


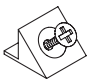
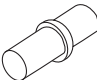
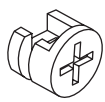
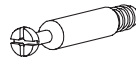
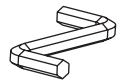





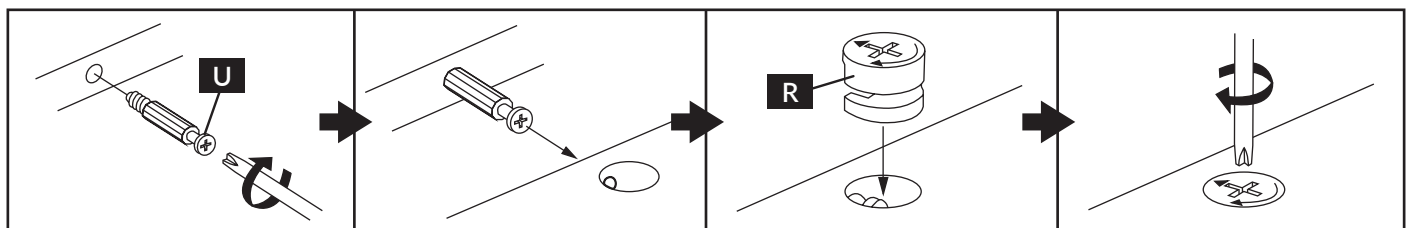
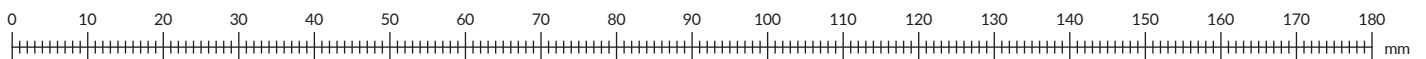
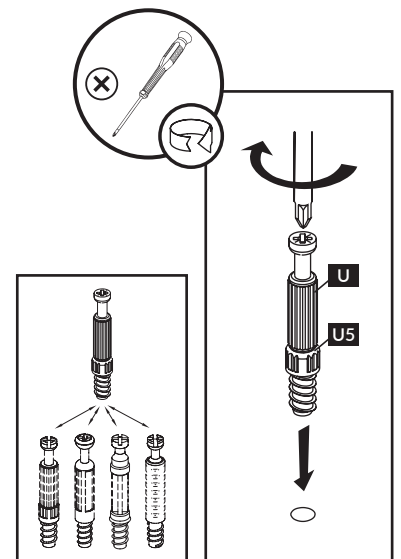
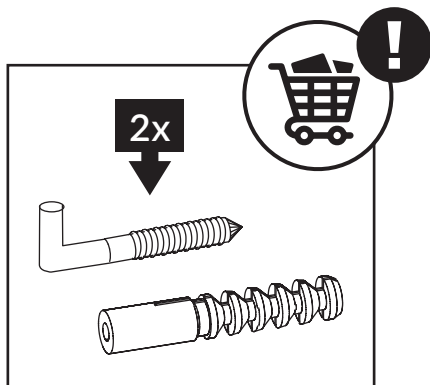


B:

A  7 x 50 mm x 4	T2  5 x 10 mm x 4	V4  Ø 35 x 2	XA  x 1
---	--	---	---

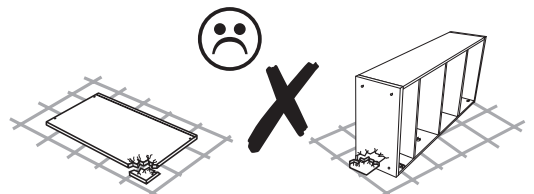
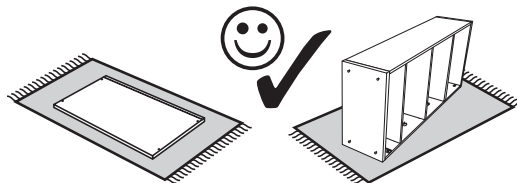
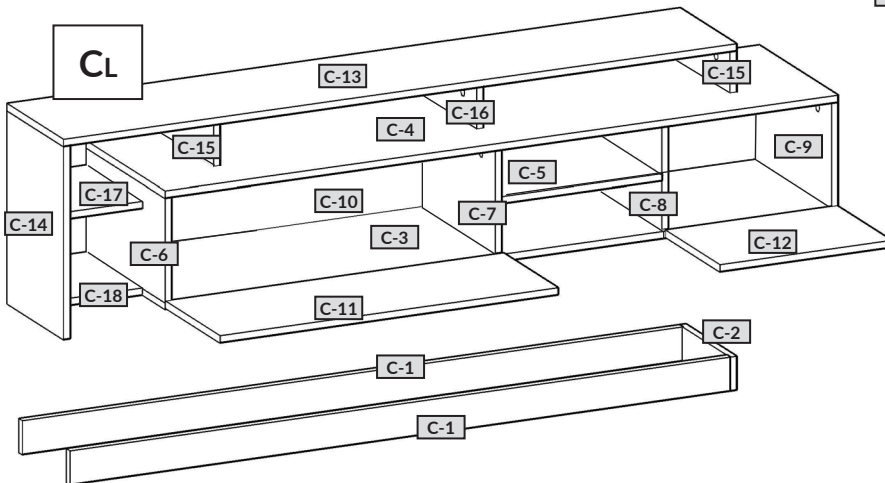
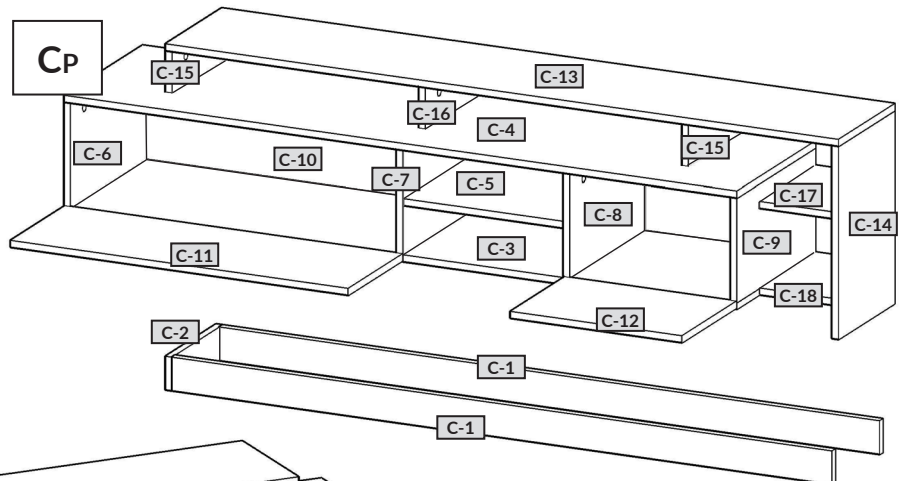
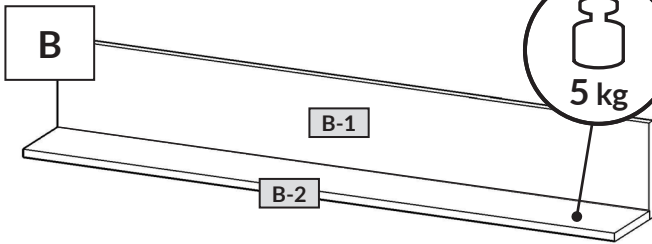
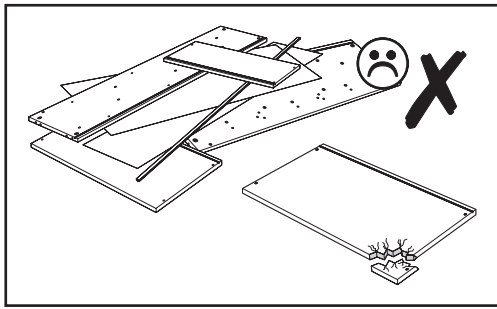
C:

A  7 x 50 mm x 22	B  8 x 32 mm x 36	C  (P) x 4	DT  x 4	E  3,5 x 13 mm x 20	E2  3 x 20 mm x 4	
G2  x 6	H1  x 8	P  x 4	R  H=11 mm x 22	U  L=24,3 mm x 22	XA  x 1	
Y1  x 2	ZA  Ø 4 x 10	ZR  Ø 15 x 18				

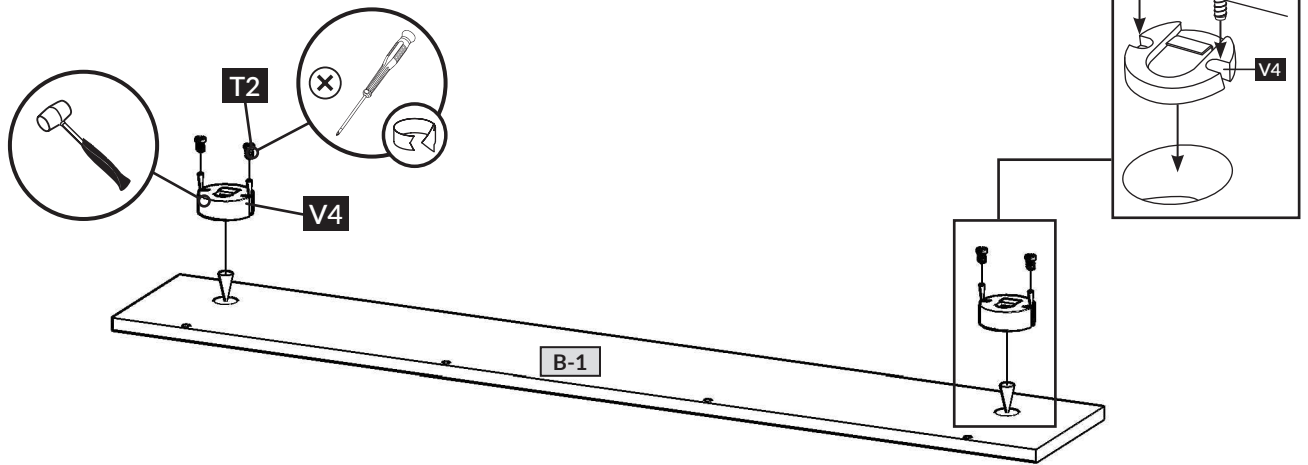


1	B-1	1300 / 200 / 16 mm	x 1
2	B-2	1300 / 160 / 16 mm	x 1

1	C-1	1668 / 80 / 16 mm	x 2
2	C-2	270 / 80 / 16 mm	x 1
3	C-3	1700 / 420 / 16 mm	x 1
4	C-4	1700 / 420 / 16 mm	x 1
5	C-5	405 / 402 / 16 mm	x 1
6	C-6	250 / 420 / 16 mm	x 1
7	C-7	250 / 405 / 16 mm	x 1
8	C-8	250 / 405 / 16 mm	x 1
9	C-9	250 / 420 / 16 mm	x 1
10	C-10	1678 / 264 / 3 mm	x 1
11	C-11	853 / 290 / 16 mm	x 1
12	C-12	433 / 290 / 16 mm	x 1
13	C-13	1700 / 300 / 16 mm	x 1
14	C-14	462 / 300 / 16 mm	x 1
15	C-15	100 / 300 / 16 mm	x 2
16	C-16	100 / 300 / 16 mm	x 1
17	C-17	184 / 300 / 16 mm	x 1
18	C-18	184 / 300 / 16 mm	x 1

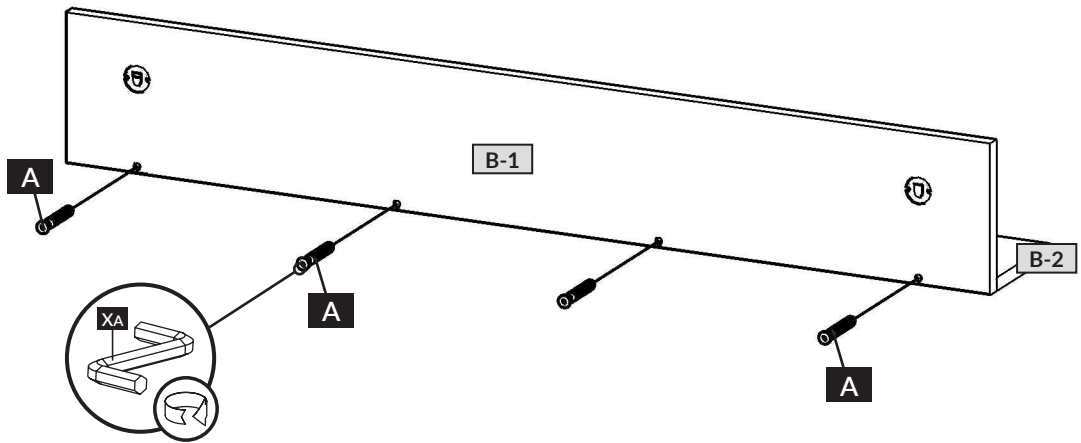


B / 1



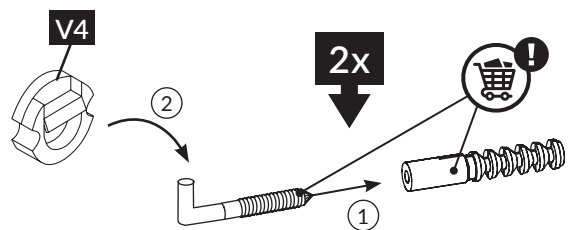
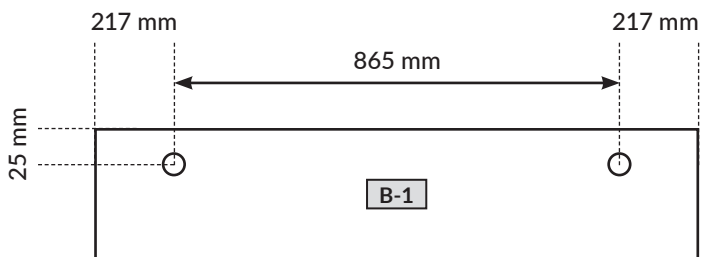
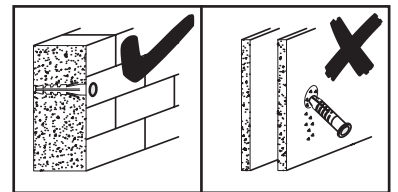
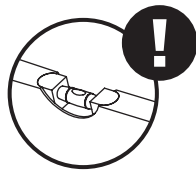
T2	x 4
V4	x 2

B / 2

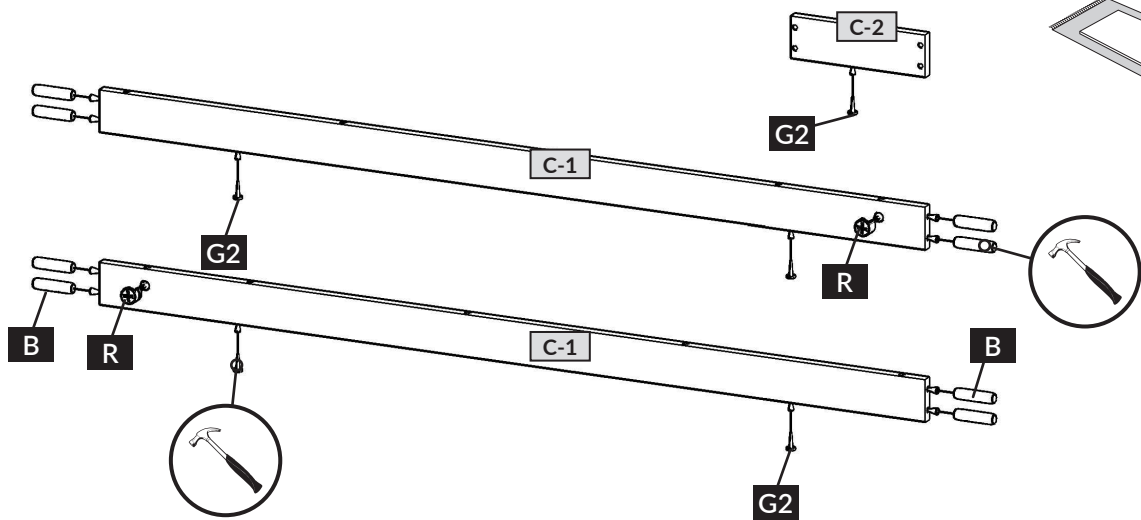


A	x 4
XA	x 1

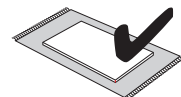
B / 3



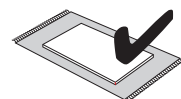
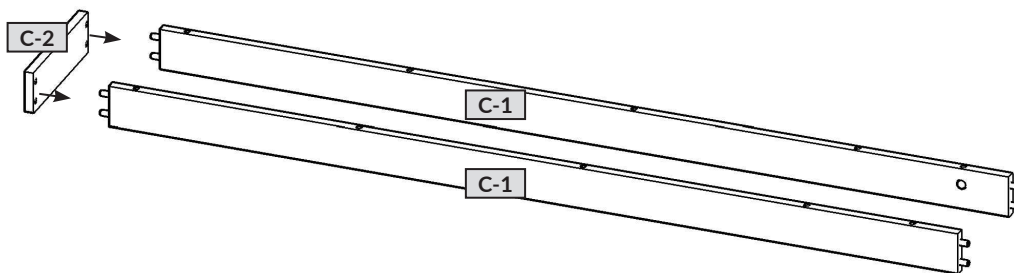
Cp / 1



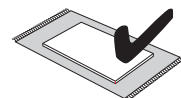
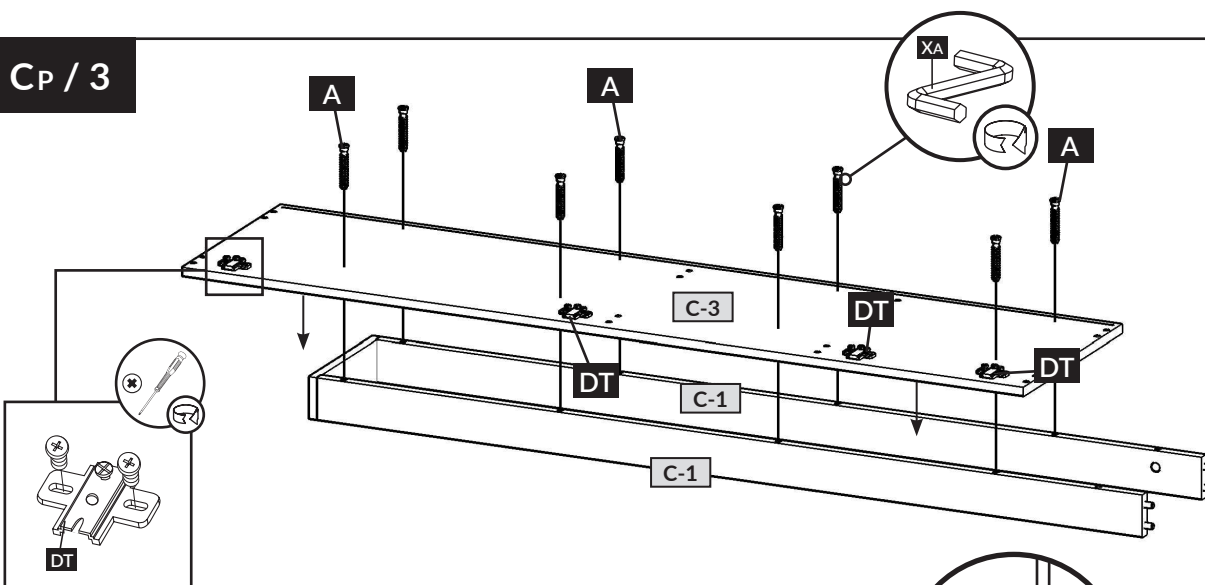
B	x 8
G2	x 5
R	x 2



Cp / 2

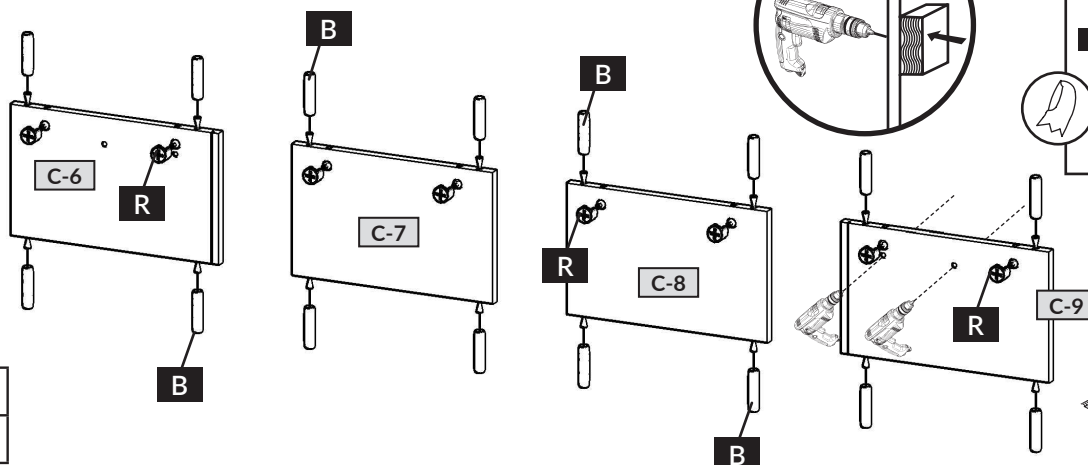


Cp / 3

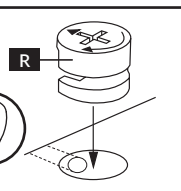


A	x 8
DT	x 4
XA	x 1

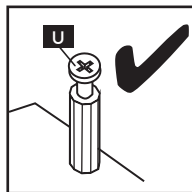
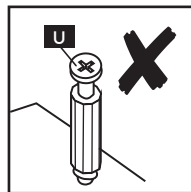
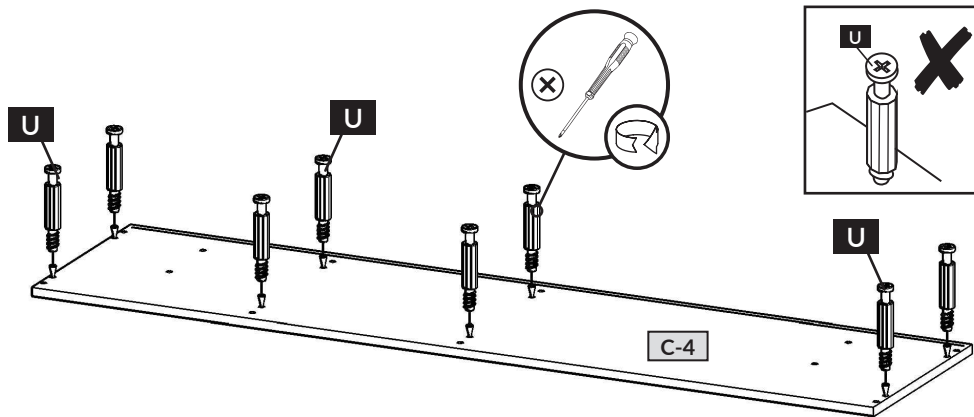
Cp / 4



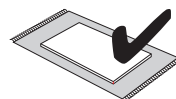
B	x 16
R	x 8



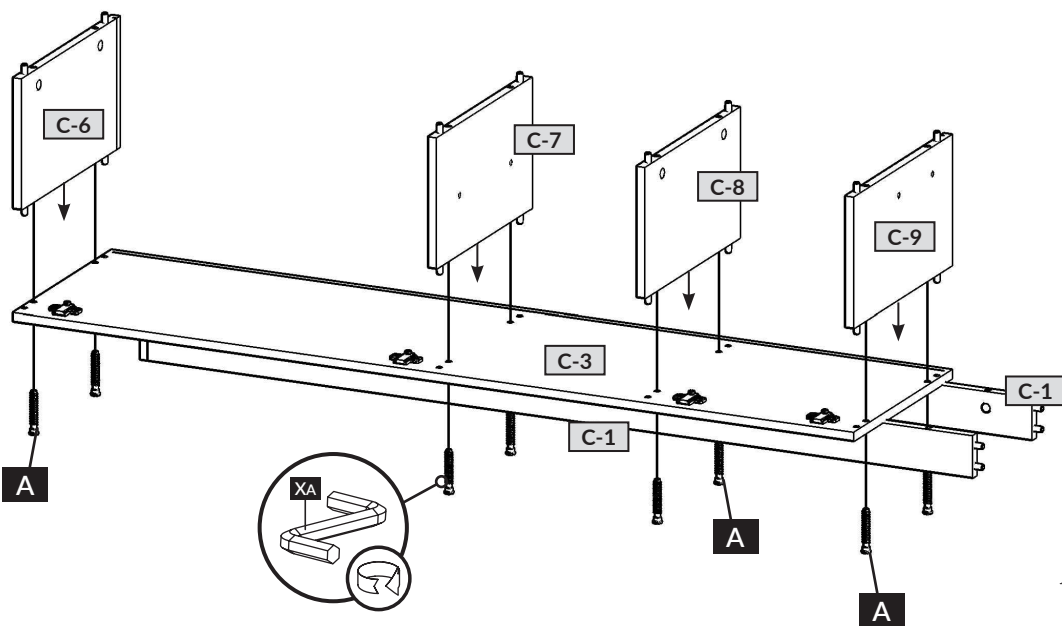
Cp / 5



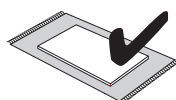
U	x8
---	----



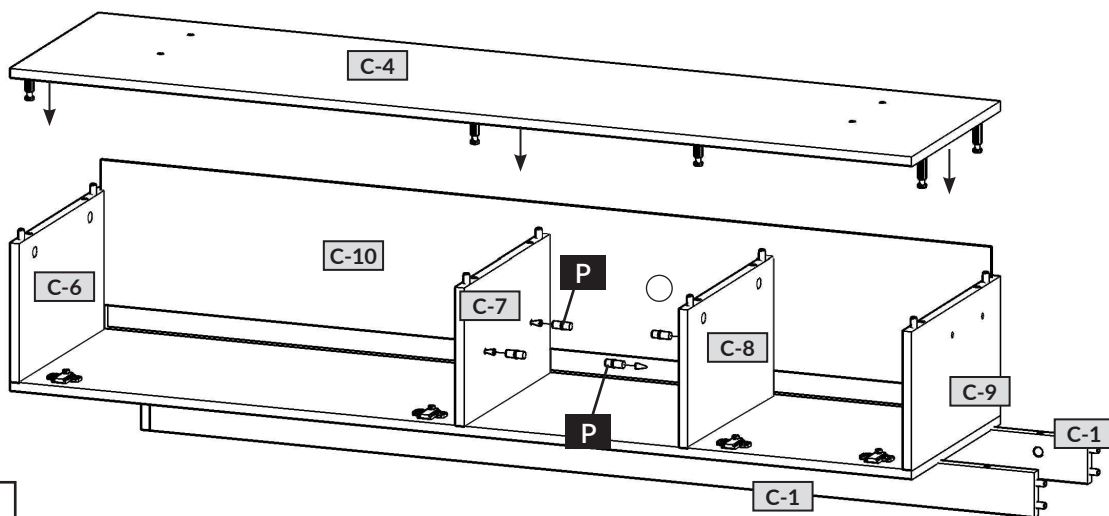
Cp / 6



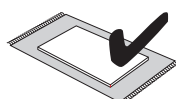
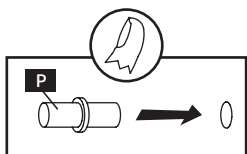
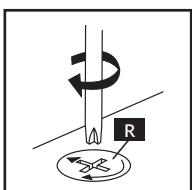
A	x8
XA	x1



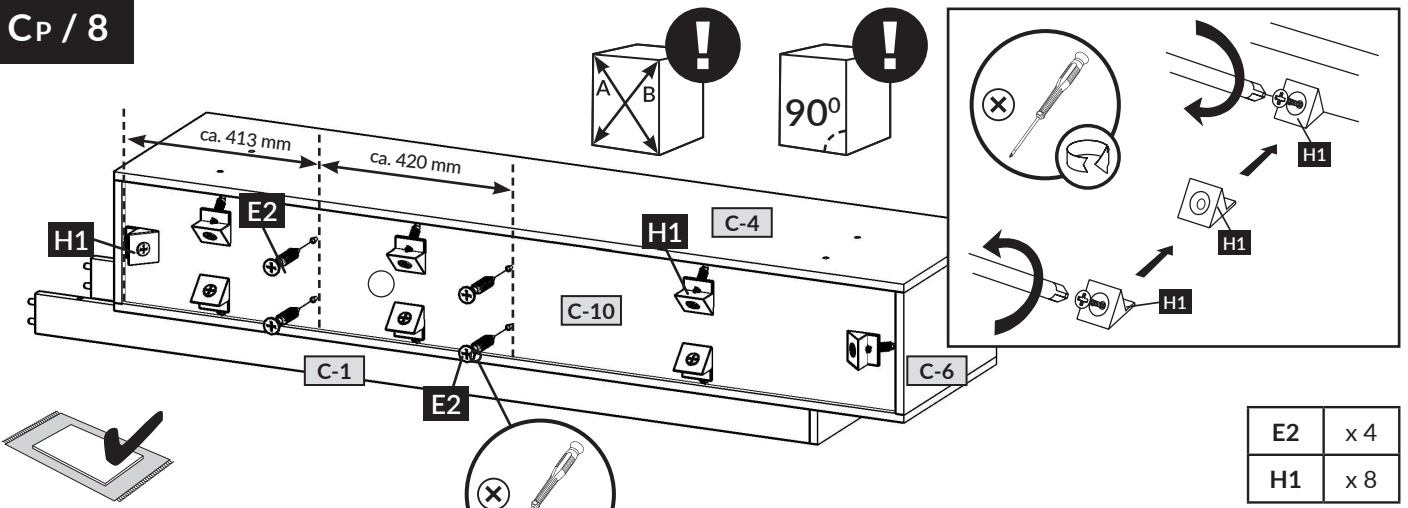
Cp / 7



P	x4
---	----

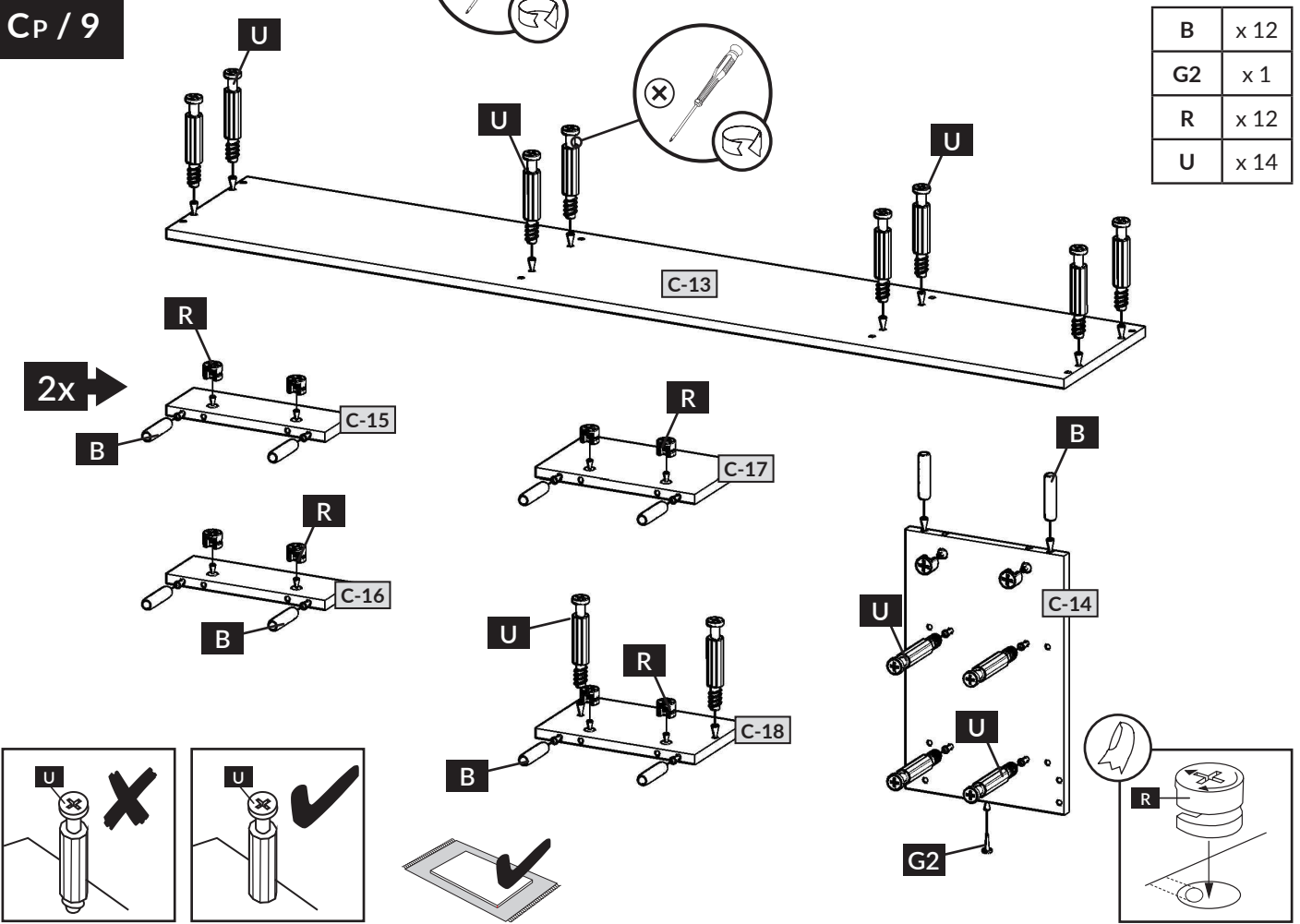


Cp / 8



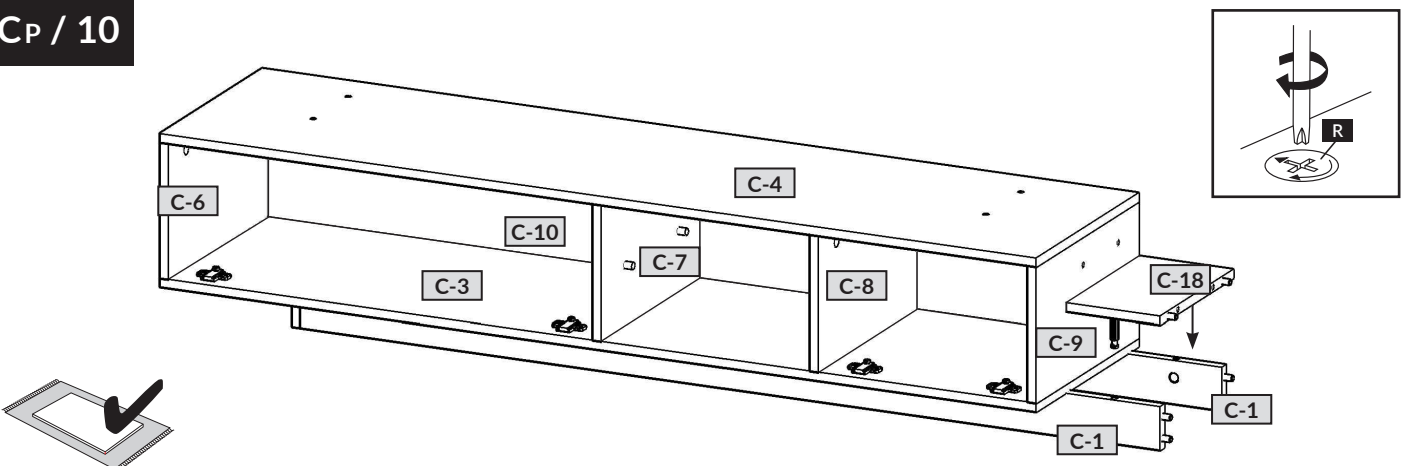
E2	x 4
H1	x 8

Cp / 9

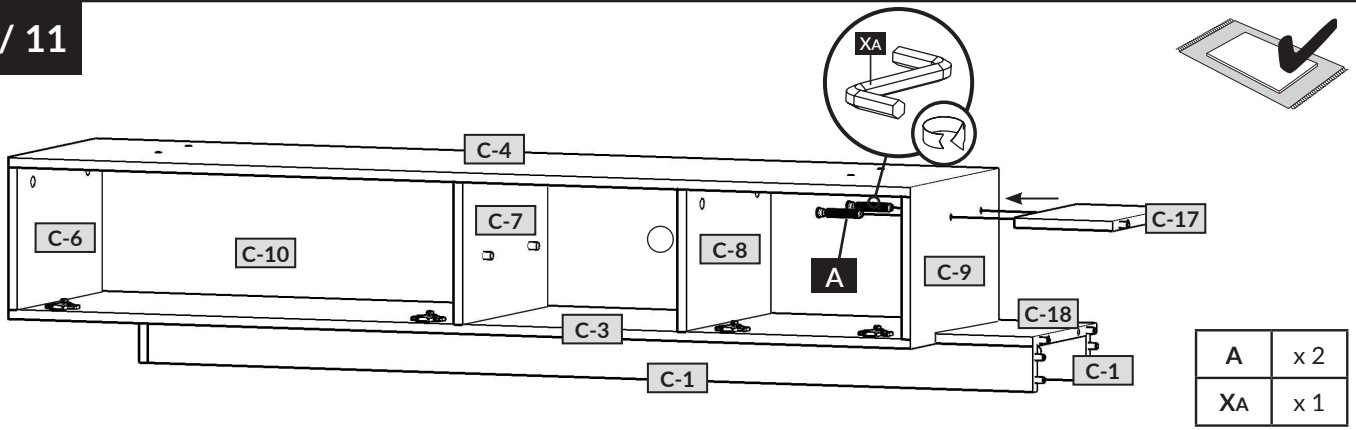


B	x 12
G2	x 1
R	x 12
U	x 14

Cp / 10

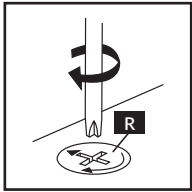
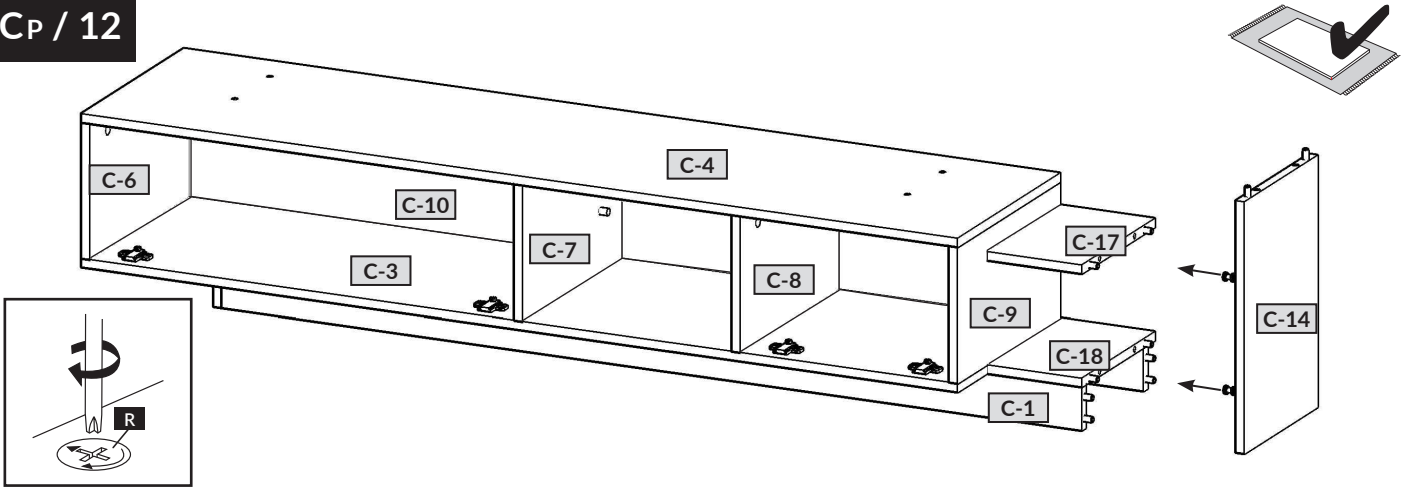


CP / 11

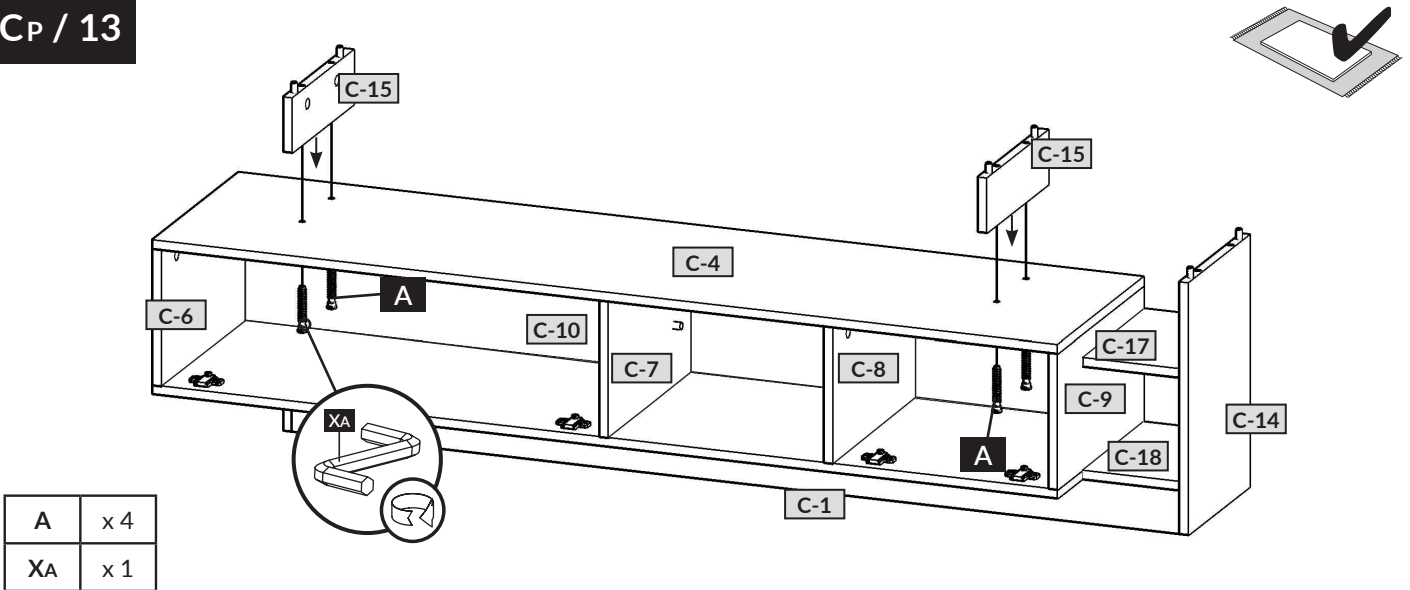


A	x 2
XA	x 1

CP / 12

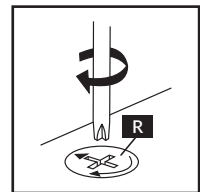
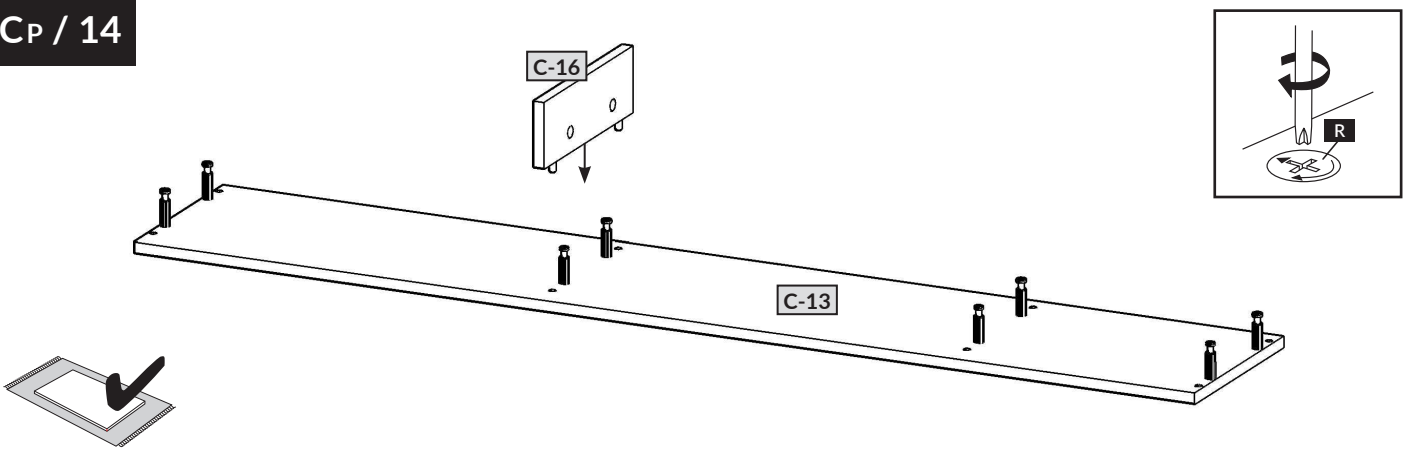


CP / 13

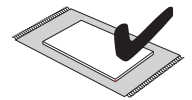
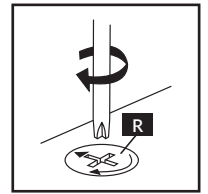
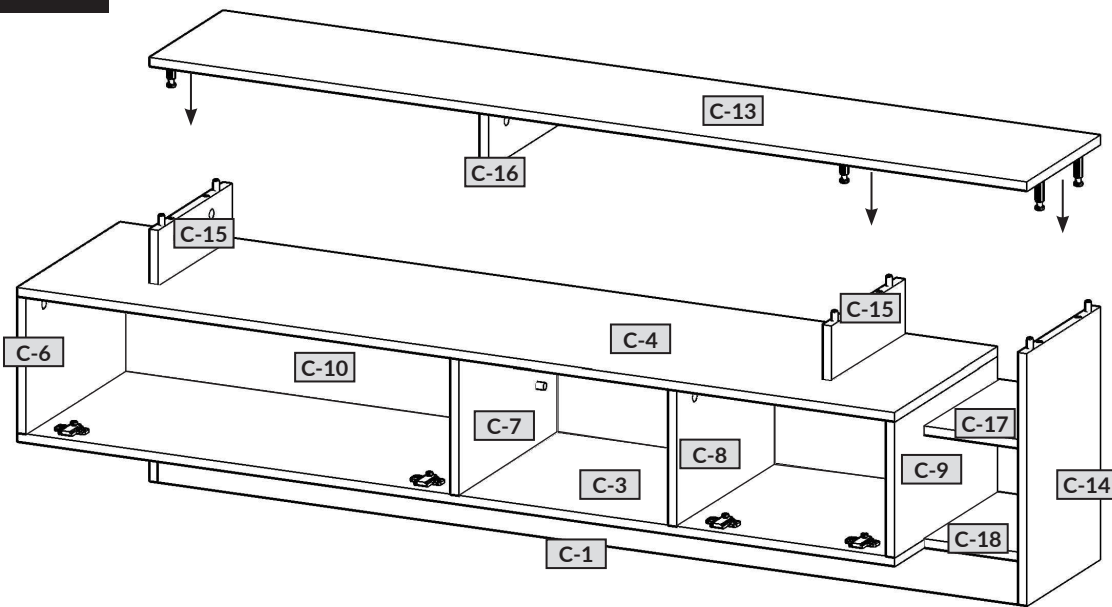


A	x 4
XA	x 1

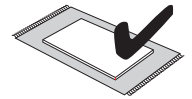
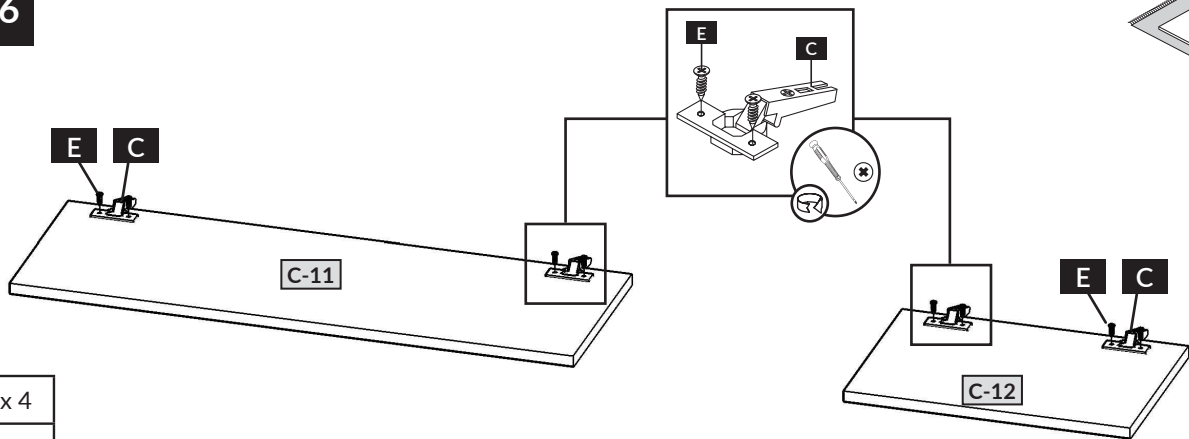
CP / 14



Cp / 15

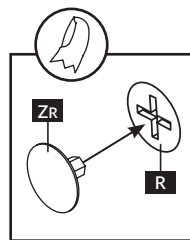
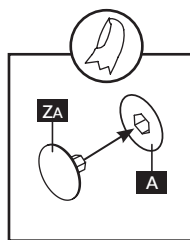
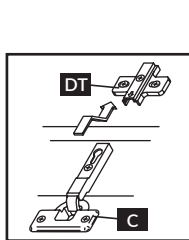
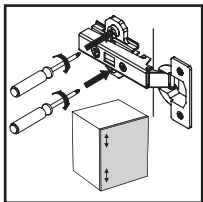
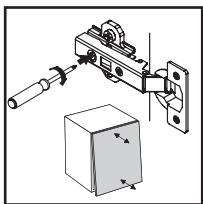
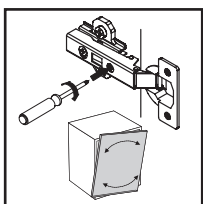
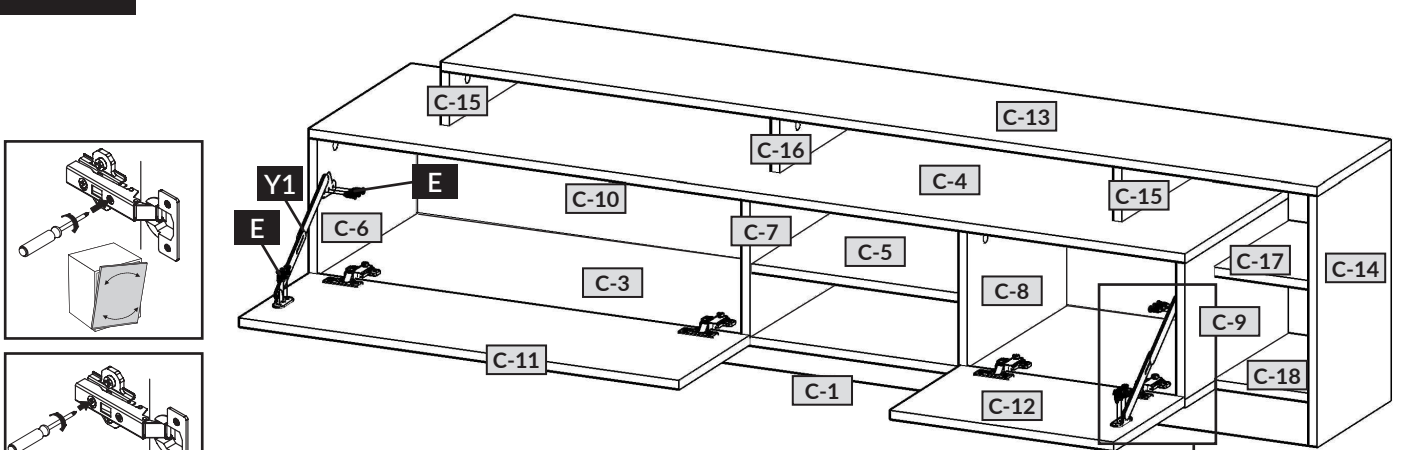


Cp / 16

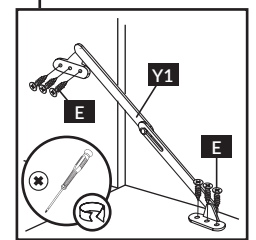


C	x4
E	x8

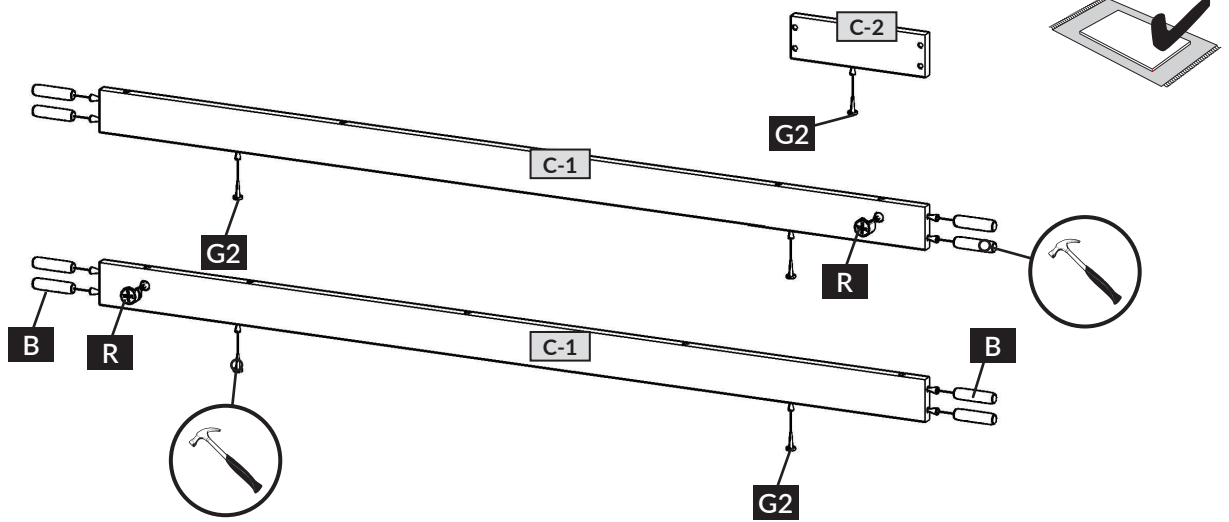
Cp / 17



E	x12
Y1	x2
ZA	x10
ZR	x18

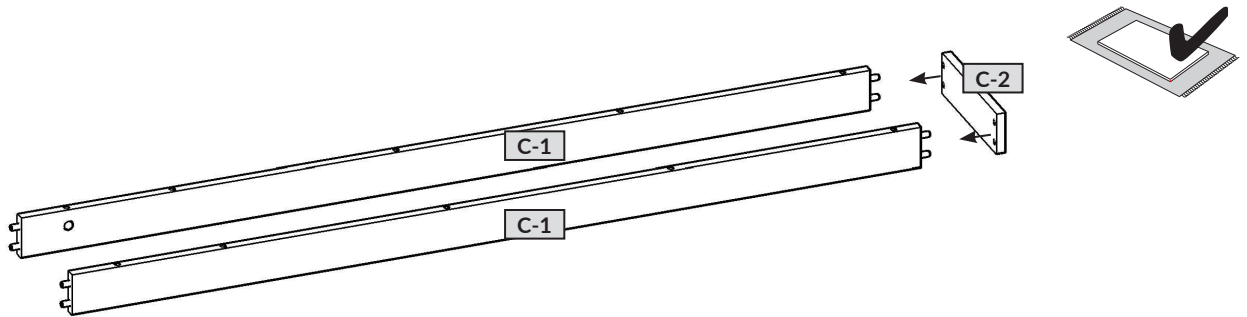


CL / 1

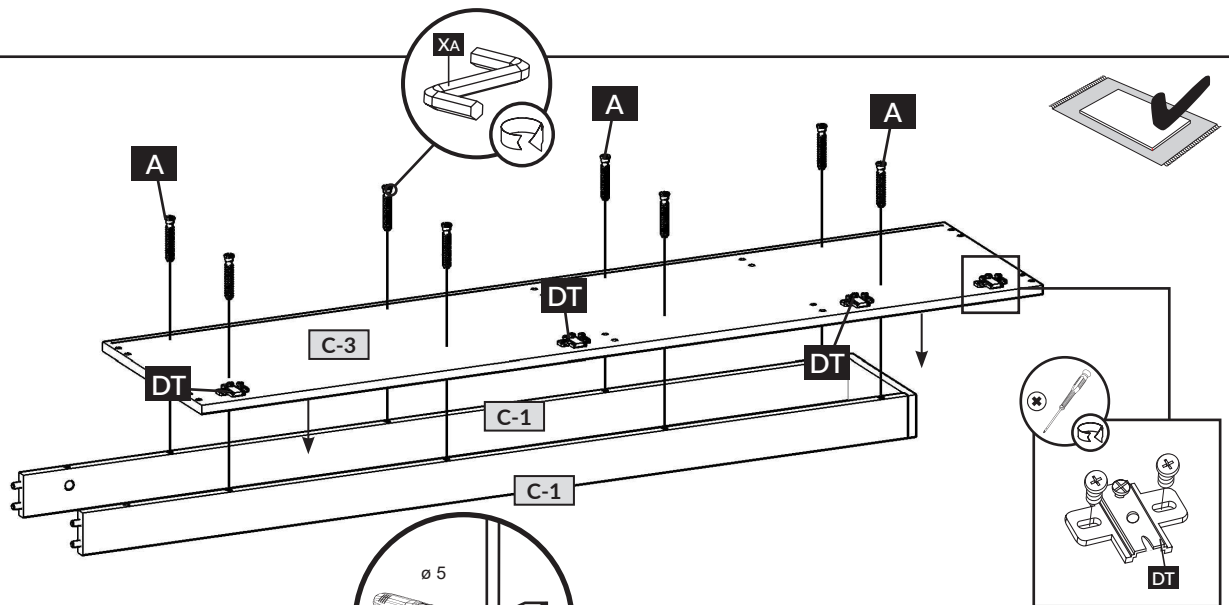


B	x 8
G2	x 5
R	x 2

CL / 2

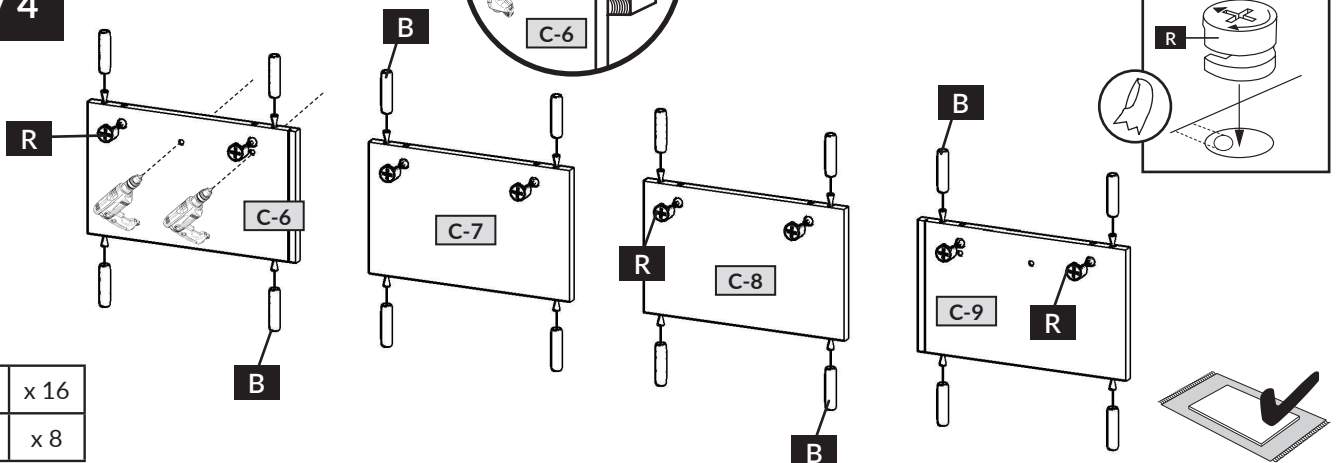


CL / 3



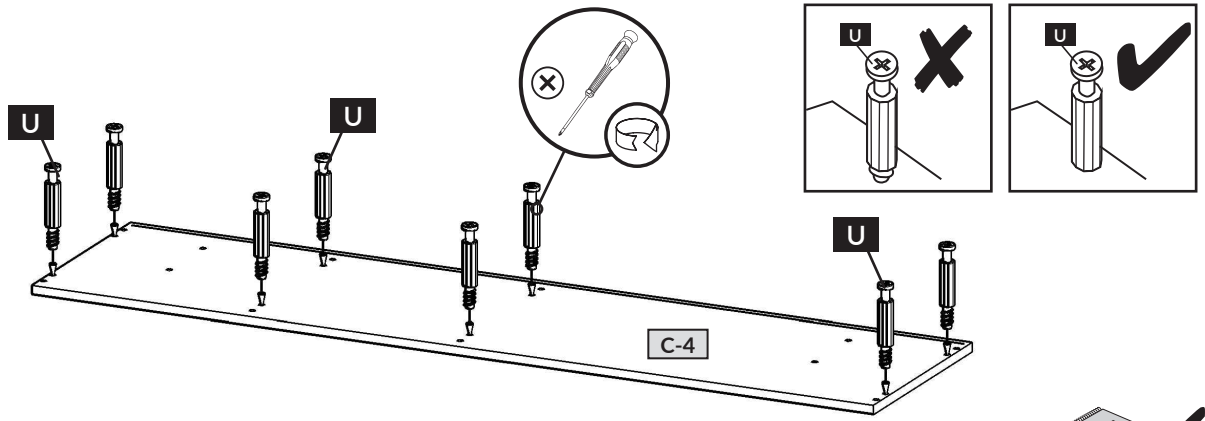
A	x 8
DT	x 4
XA	x 1

Cp / 4

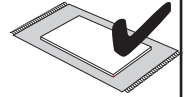


B	x 16
R	x 8

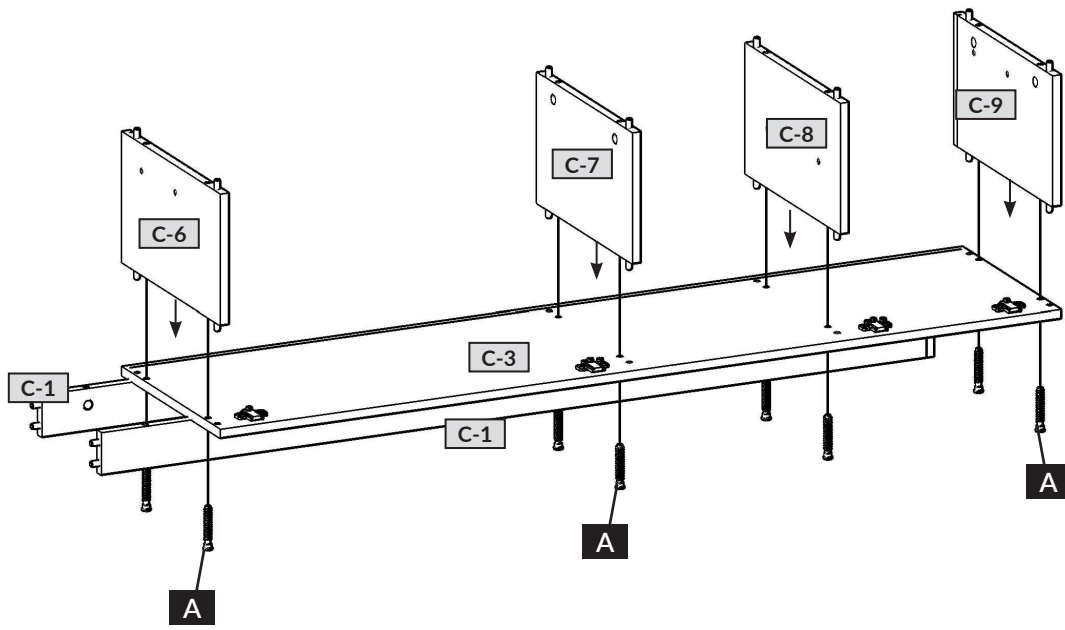
CL / 5



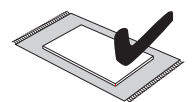
U	x 8
---	-----



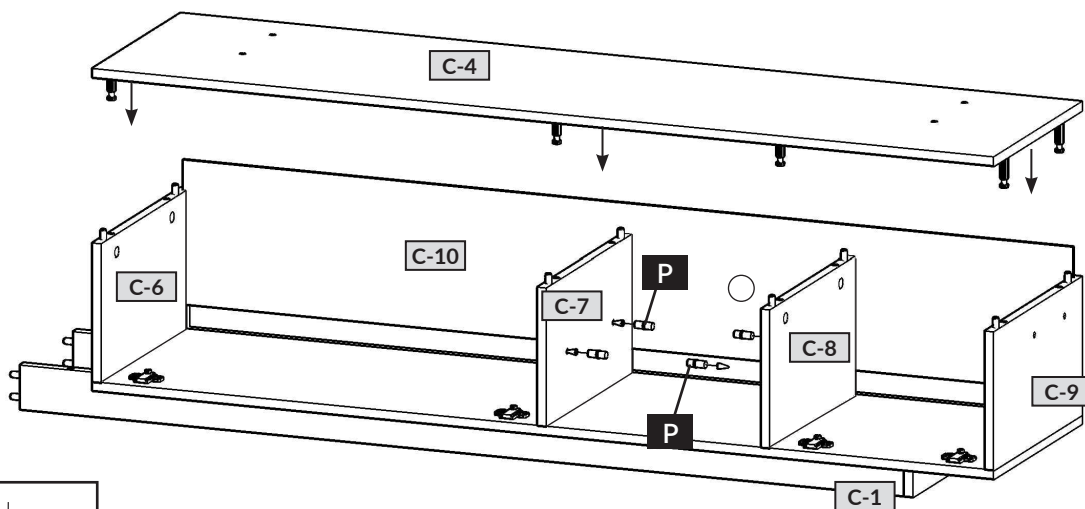
CL / 6



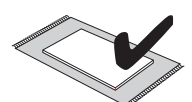
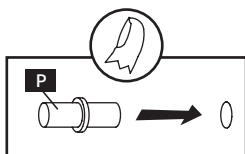
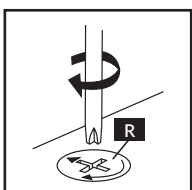
A	x 8
XA	x 1



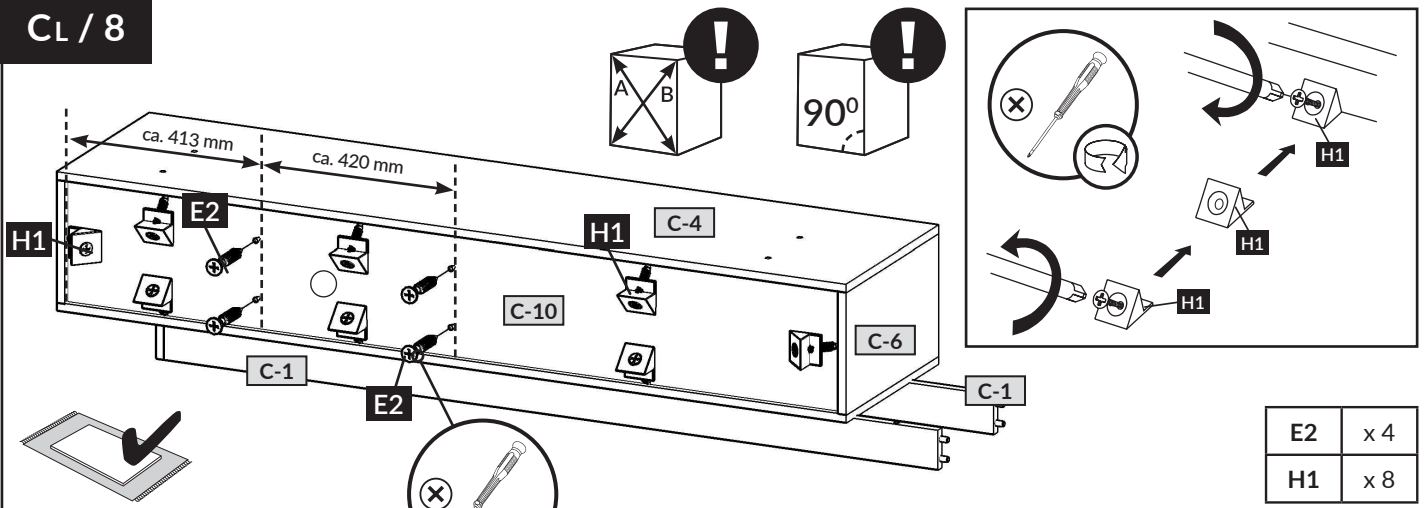
CL / 7



P	x 4
---	-----

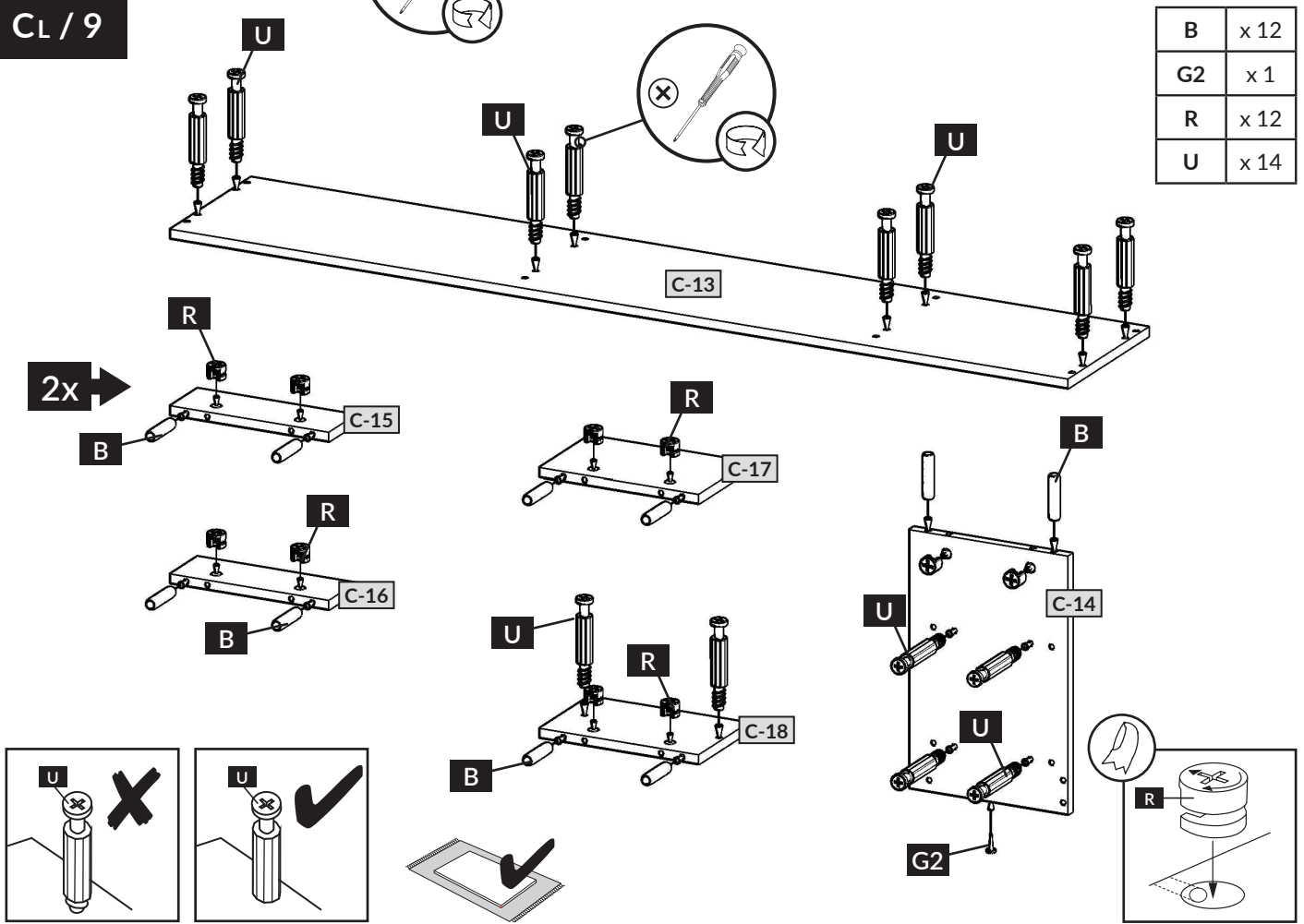


CL / 8



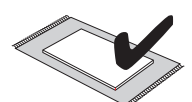
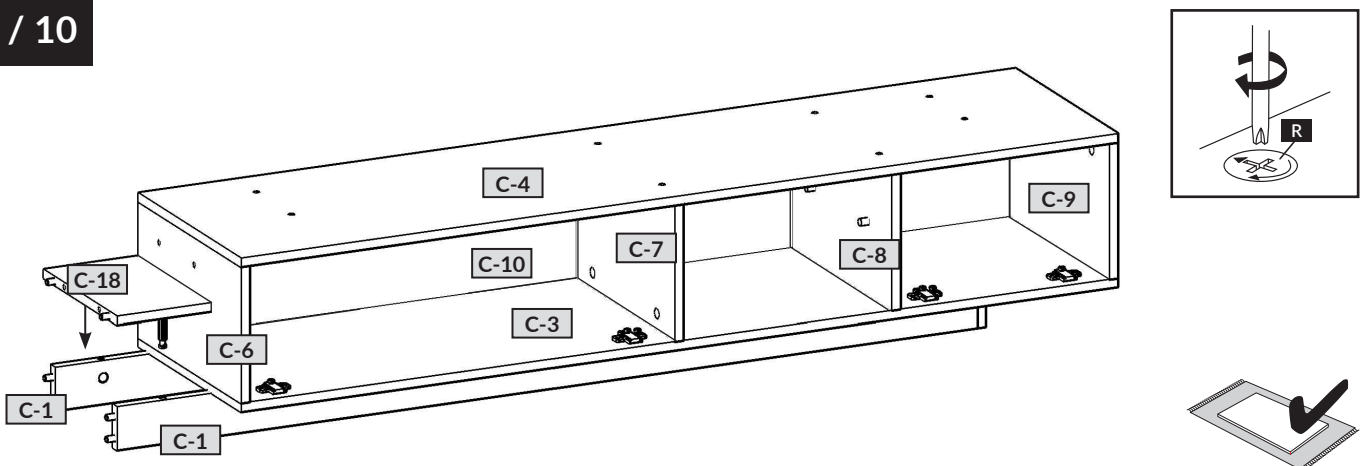
E2	x 4
H1	x 8

CL / 9

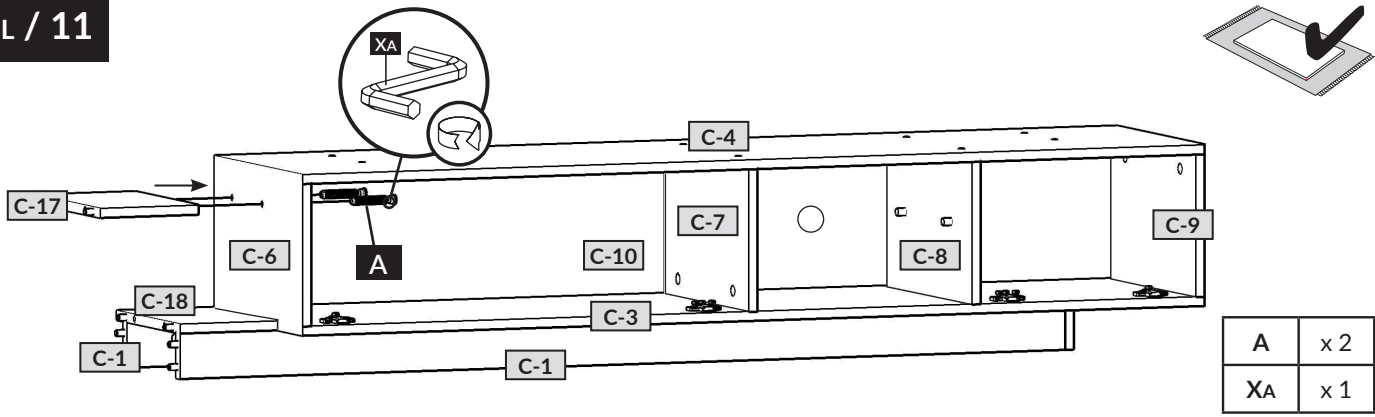


B	x 12
G2	x 1
R	x 12
U	x 14

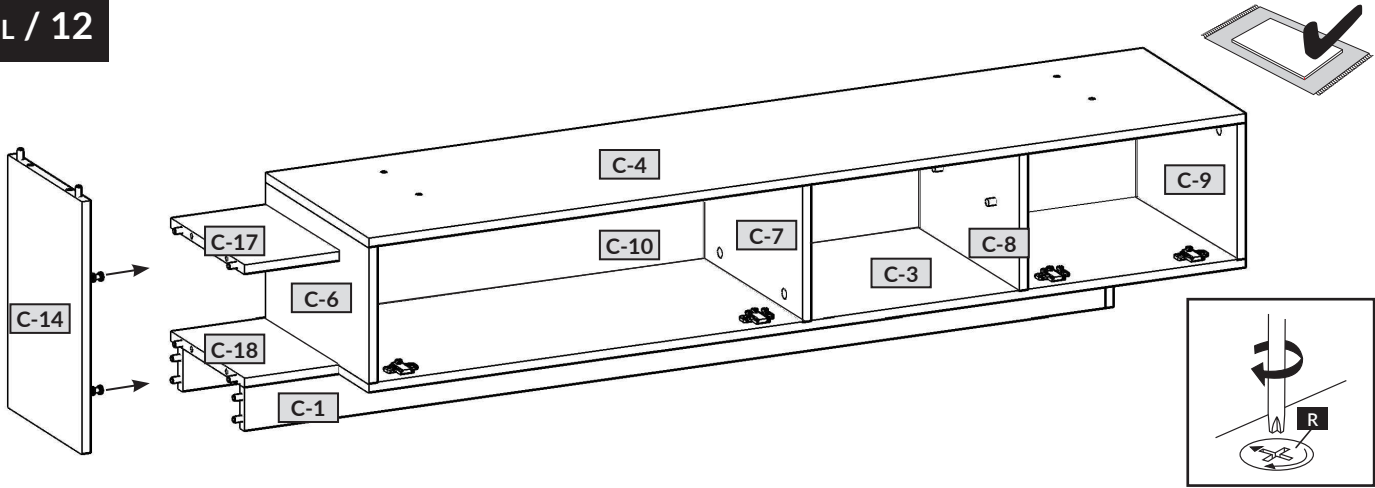
CL / 10



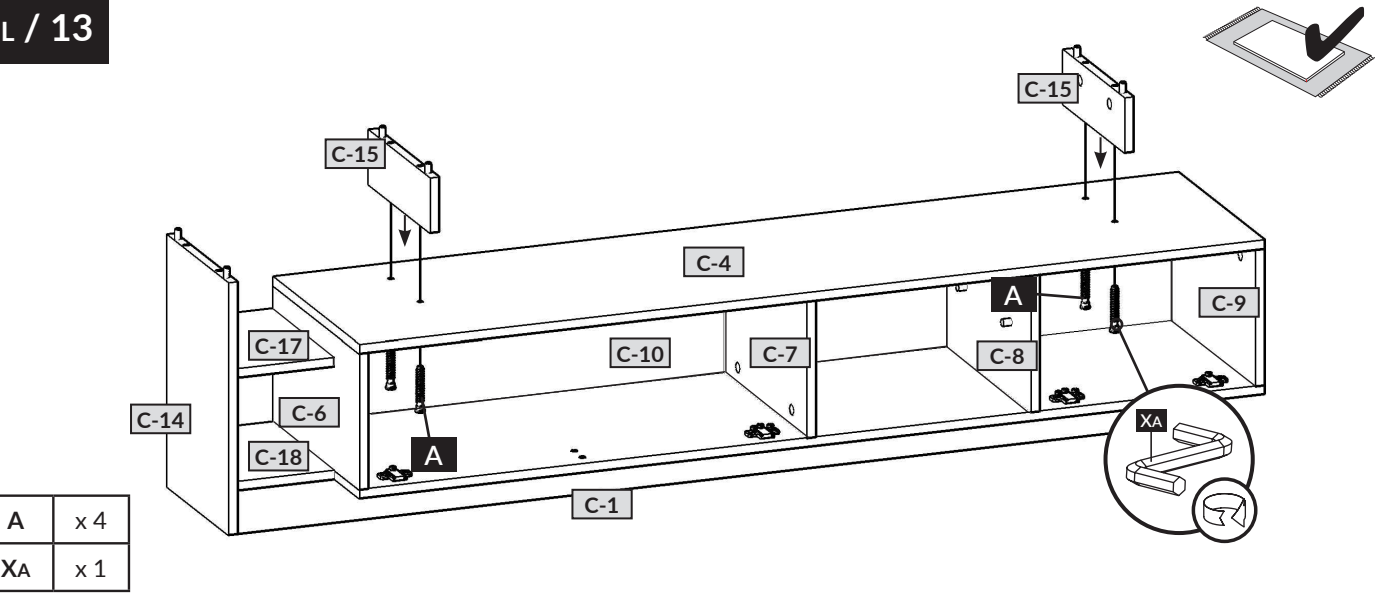
CL / 11



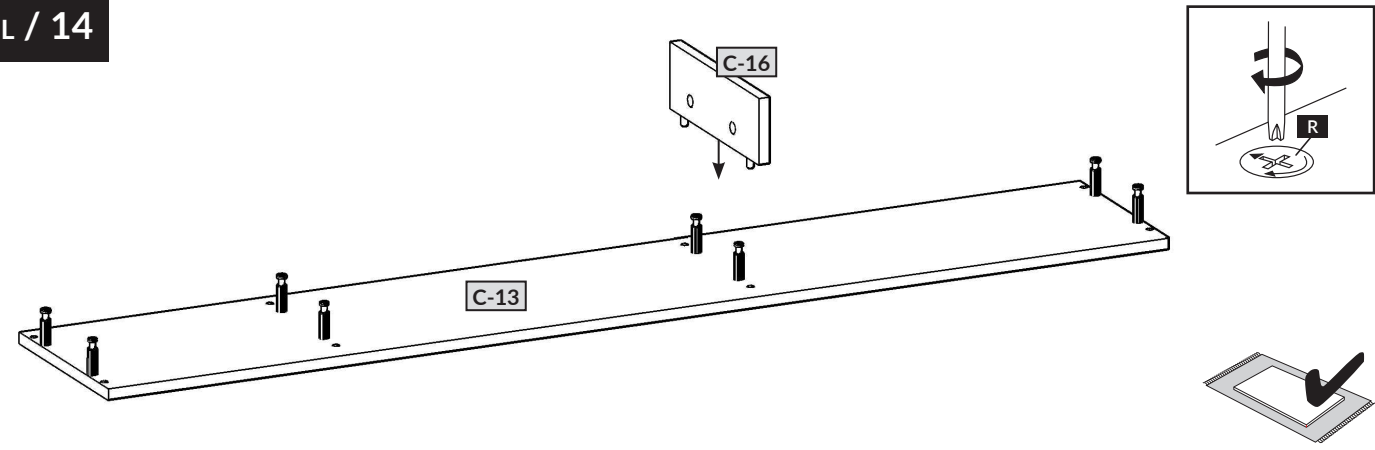
CL / 12



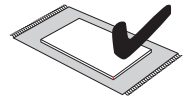
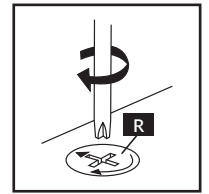
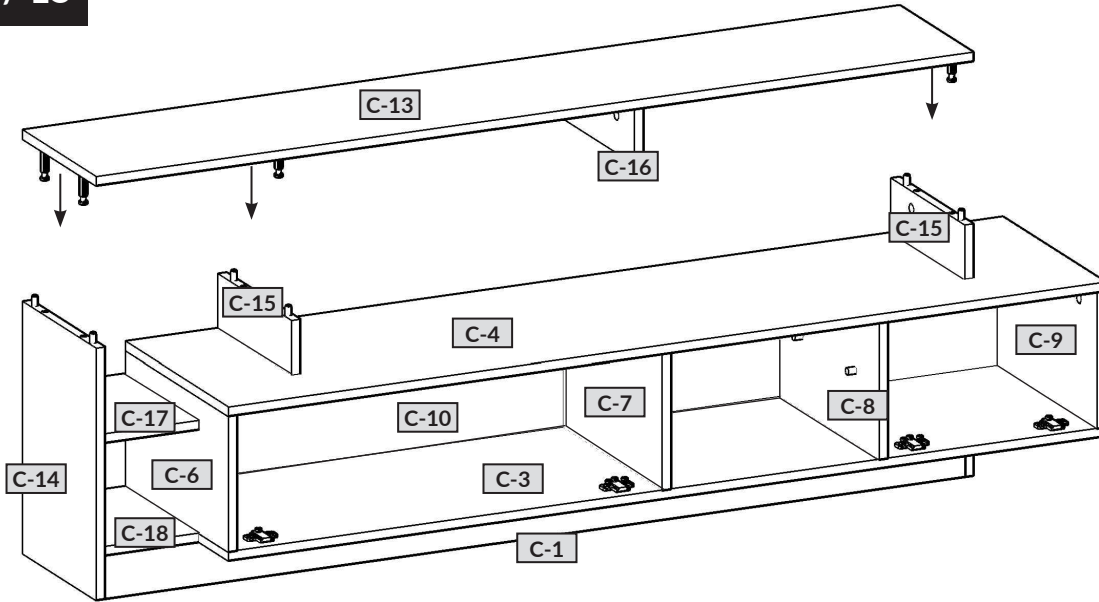
CL / 13



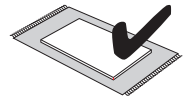
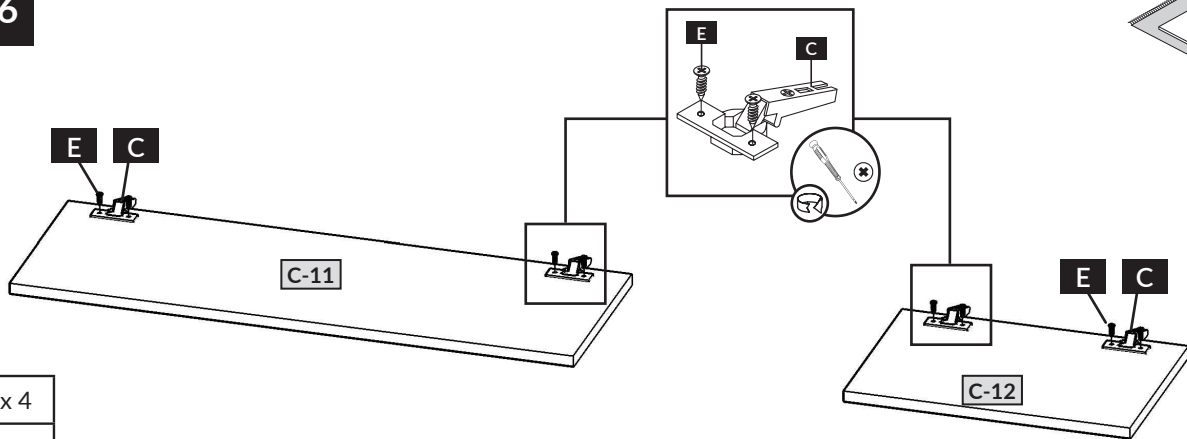
CL / 14



CL / 15

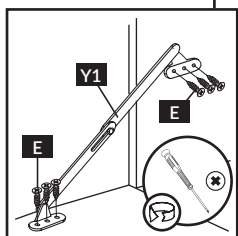
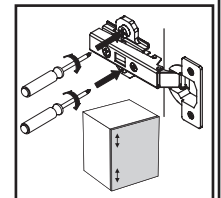
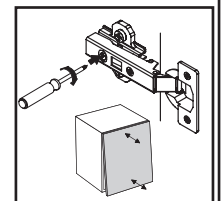
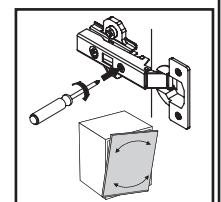
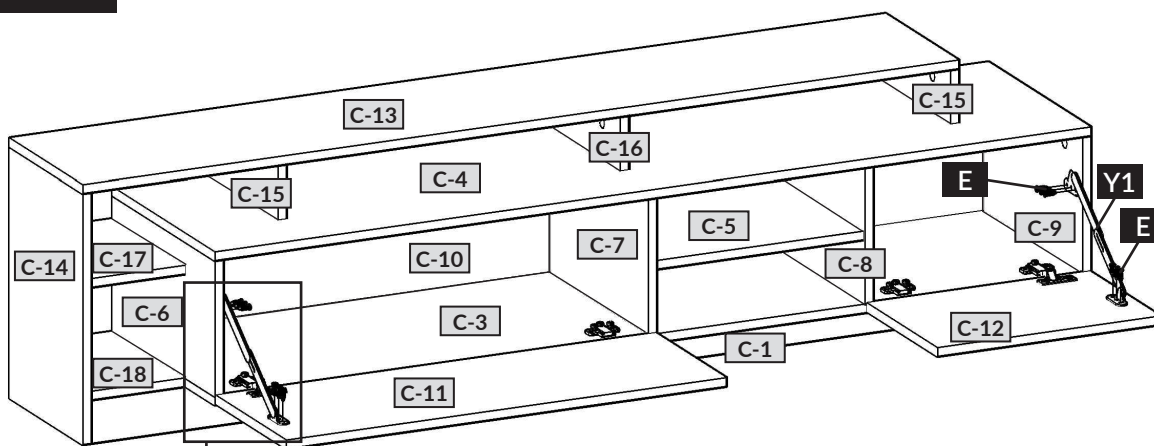


CL / 16



C	x 4
E	x 8

CL / 17



E	x 12
Y1	x 2
ZA	x 10
ZR	x 18

