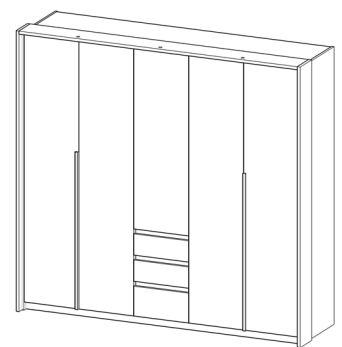
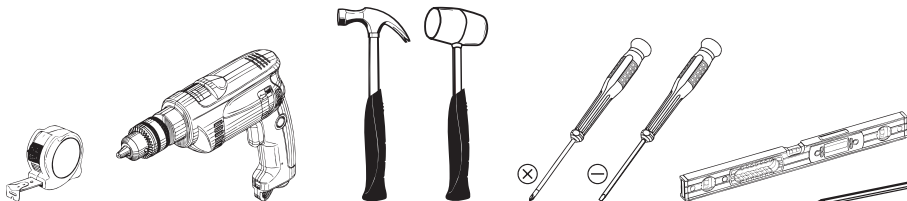


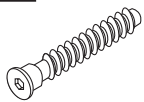



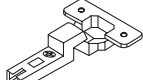

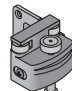


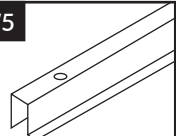
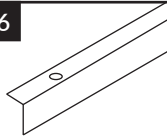
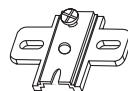
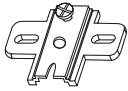
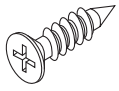
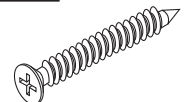
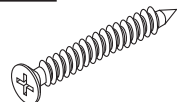
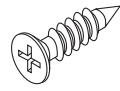

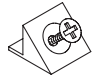
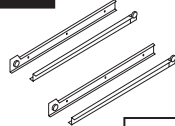
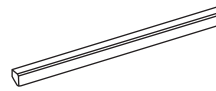
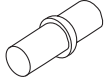
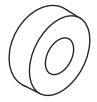
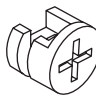
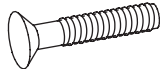
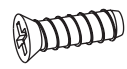
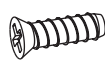
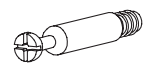
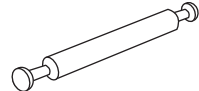
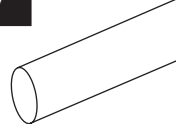

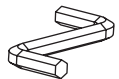


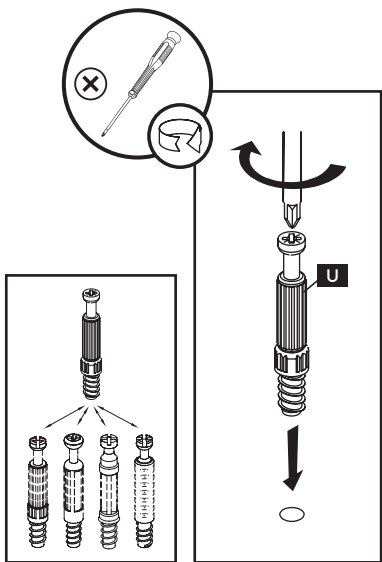
A - 2294 mm / 2155 mm / 650 mm

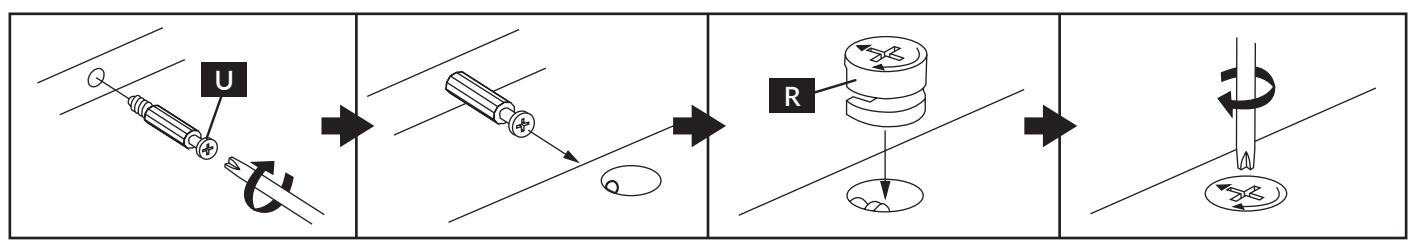
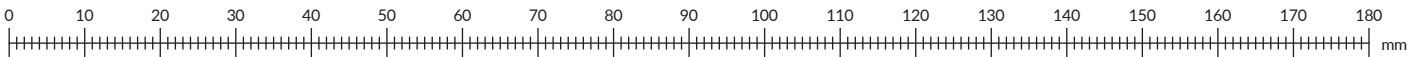


 180 min.



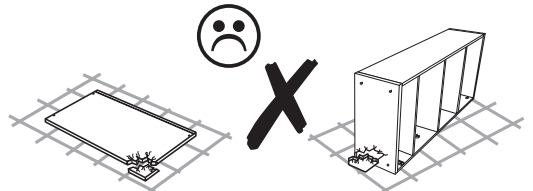
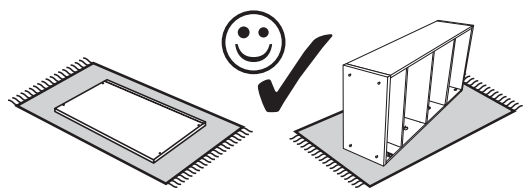
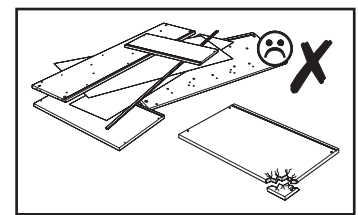
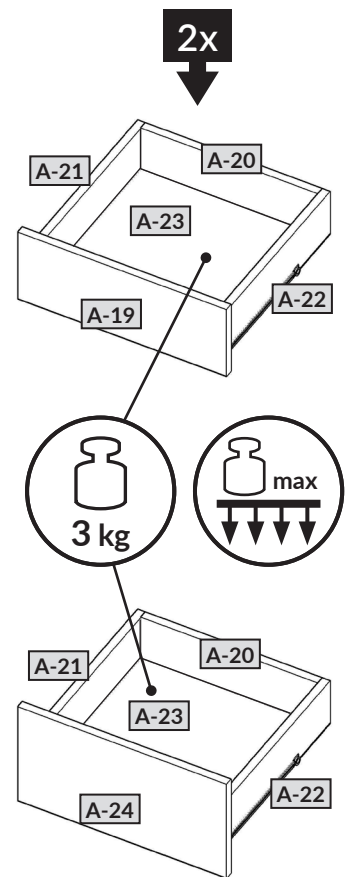
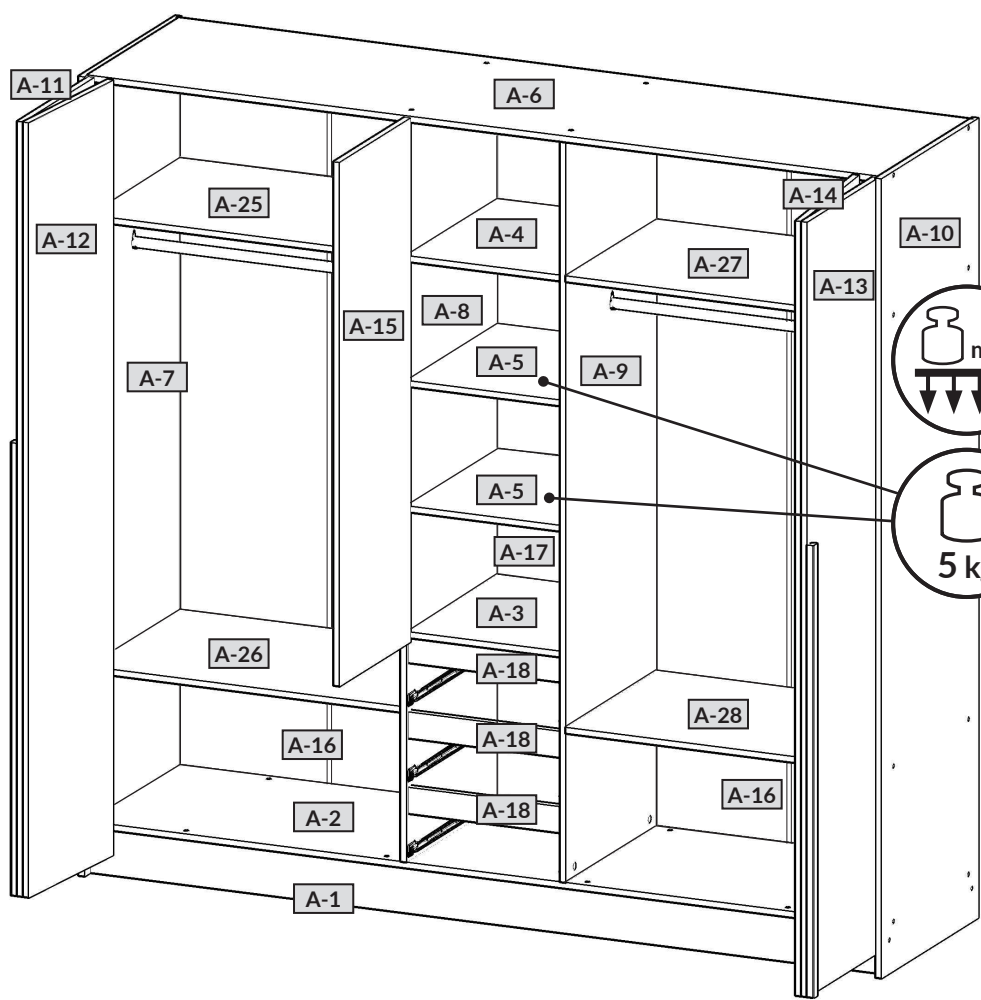
# A:

<b>A</b>  7 x 50 mm x 32	<b>B</b>  8 x 32 mm x 54	<b>B3</b>  8 x 50 mm x 4	<b>C</b>  x 2	<b>C2</b>  x 6	<b>CW1</b>  x 2
<b>CW2</b>  x 2	<b>CW3</b>  x 8	<b>CW4</b>  x 8	<b>CW5</b>  L=877 mm x 2	<b>CW6</b>  L=877 mm x 2	<b>D</b>  x 6
<b>DH</b>  H=4 x 2	<b>E</b>  3,5 x 13 mm x 74	<b>E2</b>  3 x 20 mm x 109	<b>E3</b>  4 x 27 mm x 8	<b>E15</b>  4 x 13 mm x 6	<b>G2</b>  x 12
<b>H1</b>  x 8	<b>K</b>  L=400 mm x 3	<b>MD</b>  L=1200 mm x 2	<b>P</b>  x 8	<b>Q2</b>  Ø 20 x 22	<b>R</b>  H=11 mm x 26
<b>RB</b>  x 12	<b>T</b>  6,3 x 13 mm x 16	<b>T2</b>  5 x 10 mm x 12	<b>U</b>  L=24,3 mm x 18	<b>U2</b>  L=69 mm x 4	<b>V</b>  L=869 mm x 2
<b>V7</b>  x 4	<b>XA</b>  x 1	<b>ZA</b>  Ø 4 x 32	<b>ZR</b>  Ø 15 x 26		

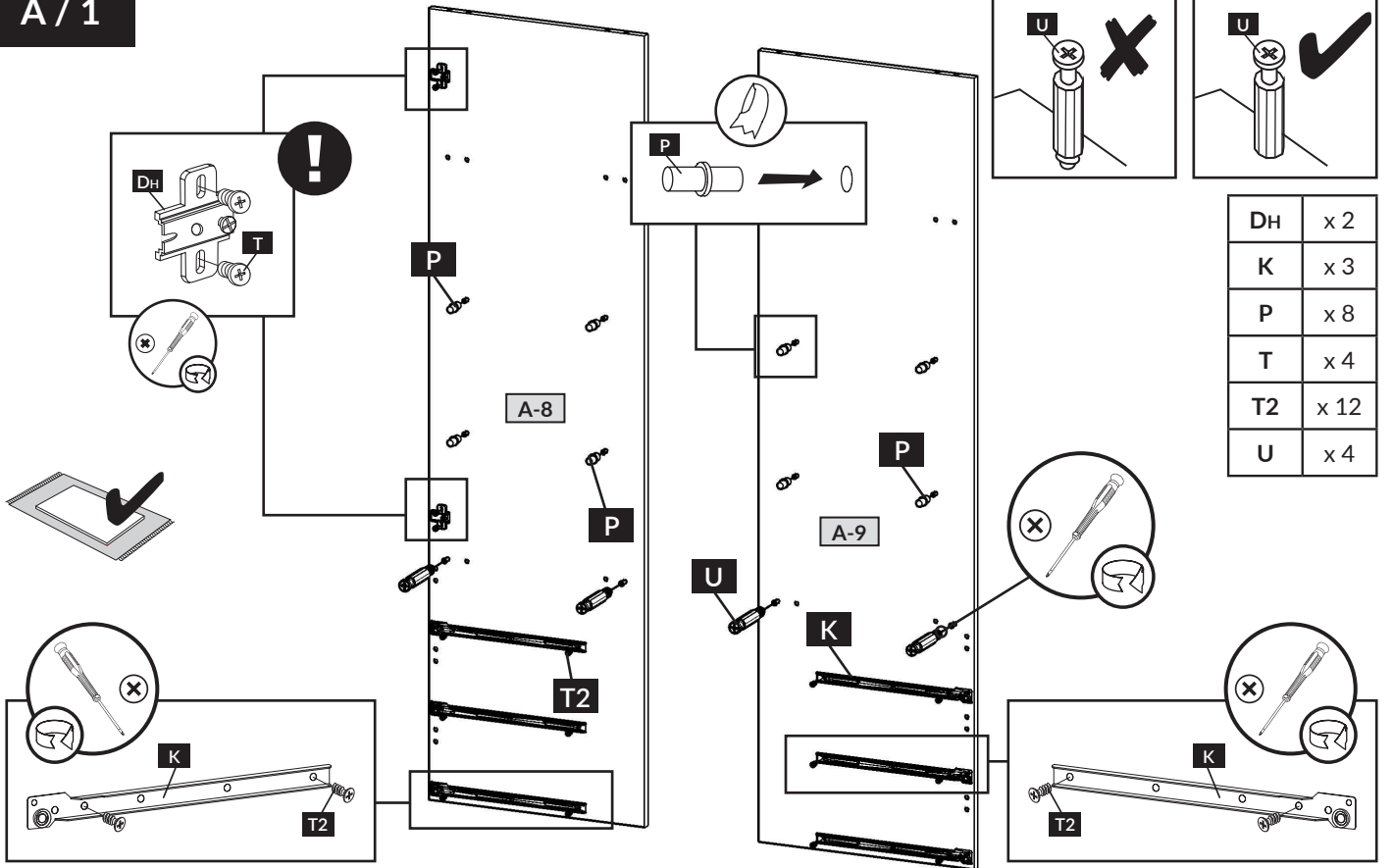


1	A-1	2218 / 125 / 16 mm	x 2
2	A-2	2218 / 565 / 16 mm	x 1
3	A-3	430 / 565 / 16 mm	x 1
4	A-4	430 / 565 / 16 mm	x 1
5	A-5	430 / 565 / 16 mm	x 2
6	A-6	2218 / 565 / 16 mm	x 1
7	A-7	2130 / 600 / 16 mm	x 1
8	A-8	1973 / 565 / 16 mm	x 1
9	A-9	1973 / 565 / 16 mm	x 1
10	A-10	2130 / 600 / 16 mm	x 1
11	A-11	440 / 2064 / 16 mm	x 1
12	A-12	440 / 2064 / 16 mm	x 1
13	A-13	440 / 2064 / 16 mm	x 1
14	A-14	440 / 2064 / 16 mm	x 1
15	A-15	440 / 1395 / 16 mm	x 1

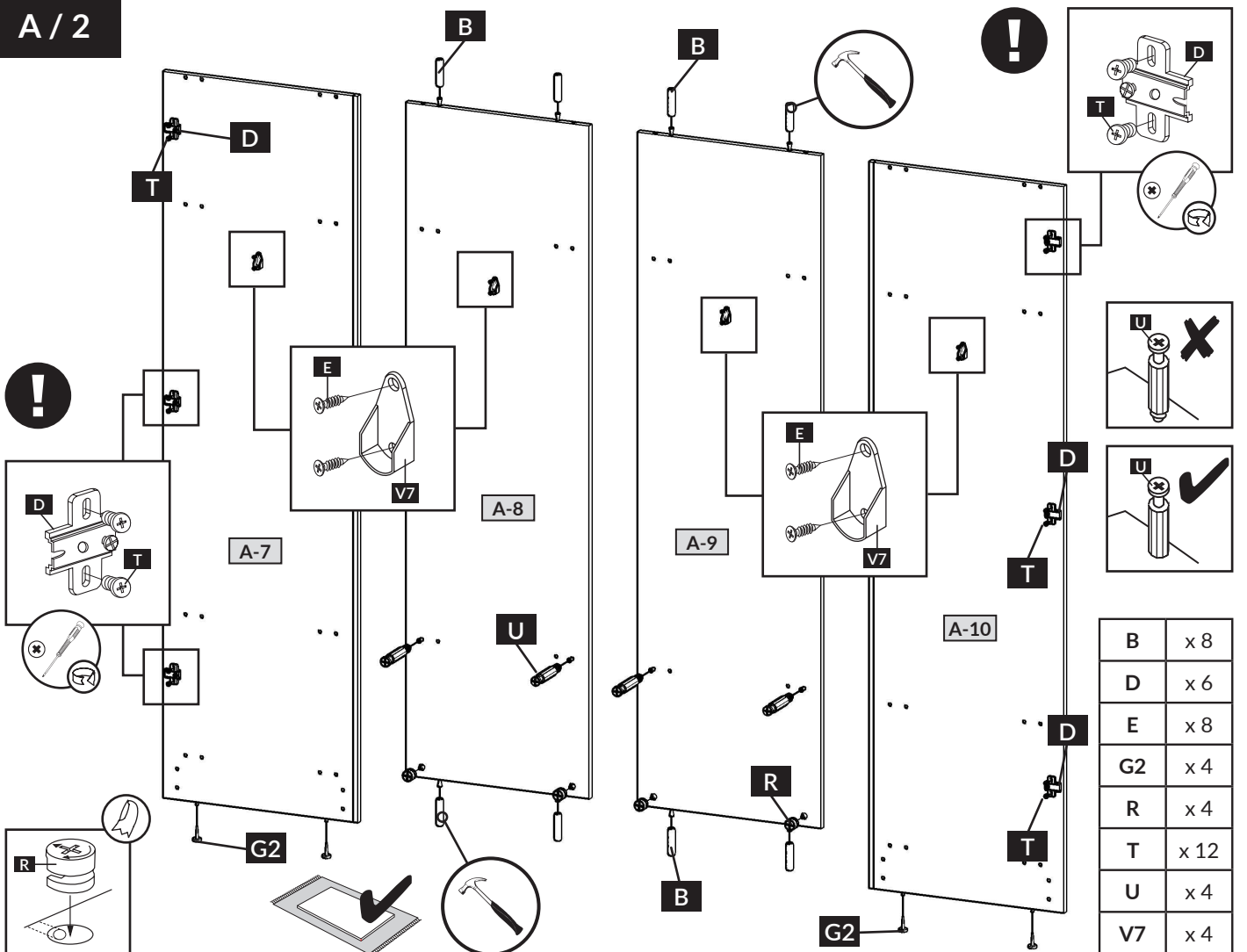
16	A-16	2001 / 892 / 3 mm	x 2
17	A-17	2001 / 445 / 3 mm	x 1
18	A-18	430 / 70 / 16 mm	x 3
19	A-19	440 / 162 / 16 mm	x 2
20	A-20	374 / 100 / 16 mm	x 3
21	A-21	400 / 100 / 16 mm	x 3
22	A-22	400 / 100 / 16 mm	x 3
23	A-23	405 / 405 / 3 mm	x 3
24	A-24	440 / 228 / 16 mm	x 1
25	A-25	878 / 565 / 16 mm	x 1
26	A-26	878 / 565 / 16 mm	x 1
27	A-27	878 / 565 / 16 mm	x 1
28	A-28	878 / 565 / 16 mm	x 1



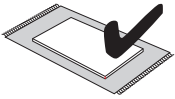
# A / 1



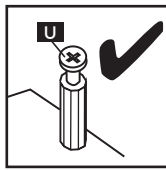
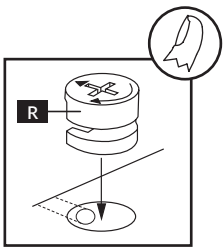
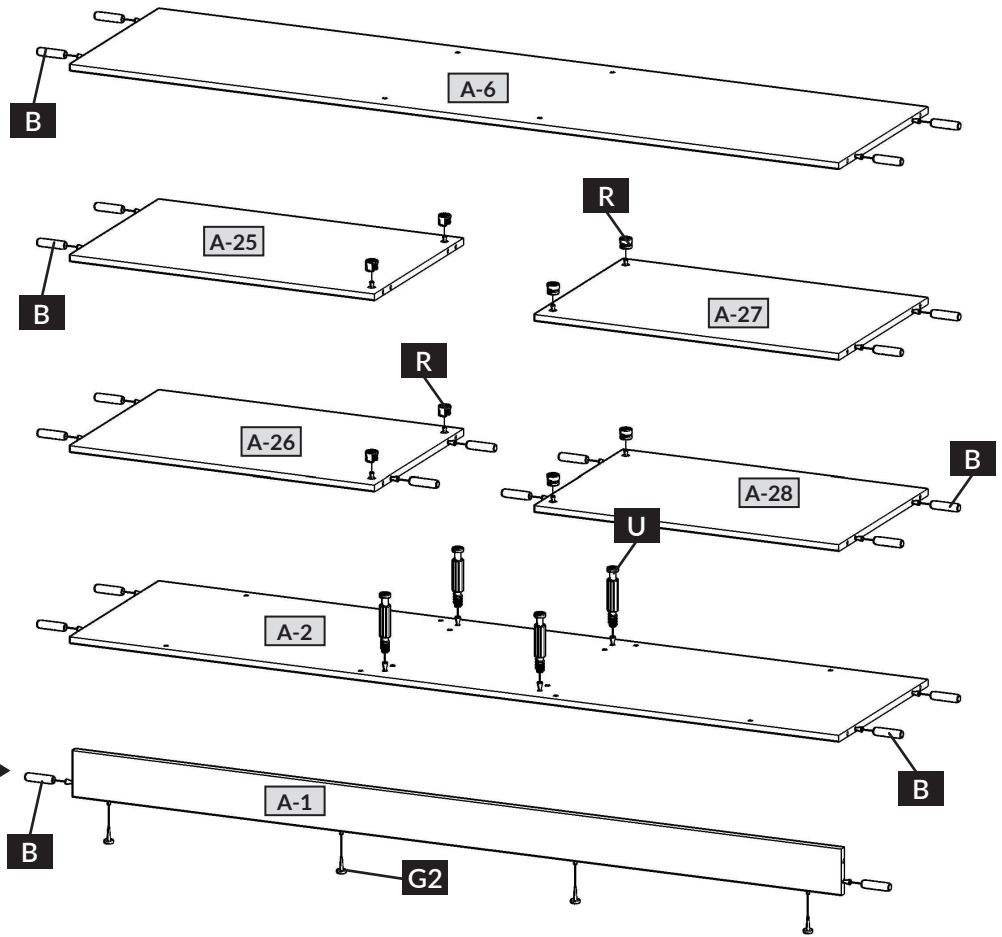
# A / 2



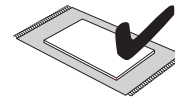
### A / 3



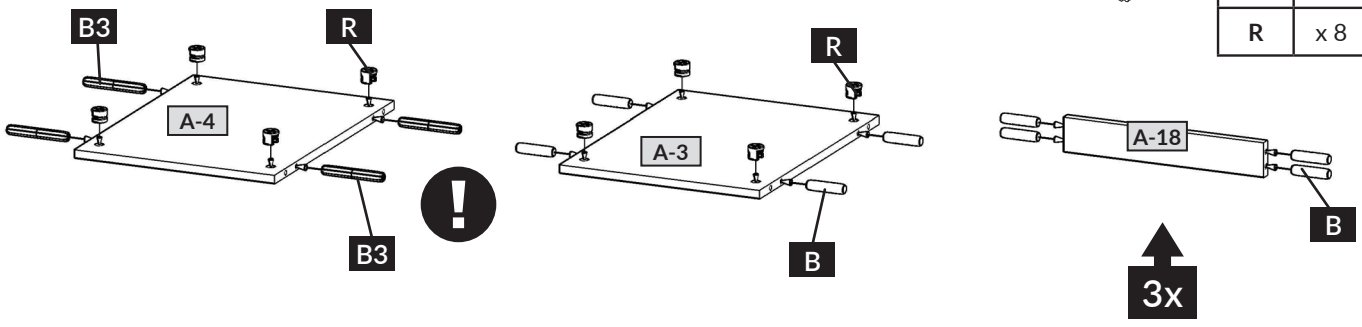
B	x 24
G2	x 8
R	x 8
U	x 4



### A / 4

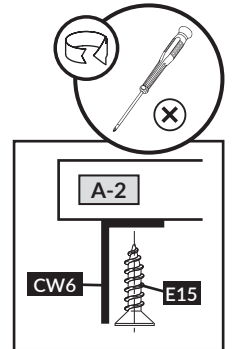
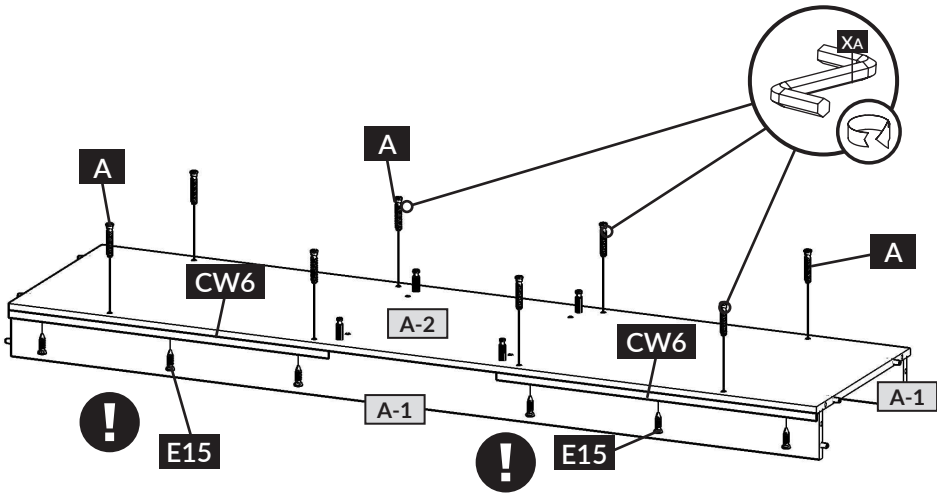
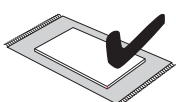


B	x 16
B3	x 4
R	x 8



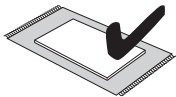
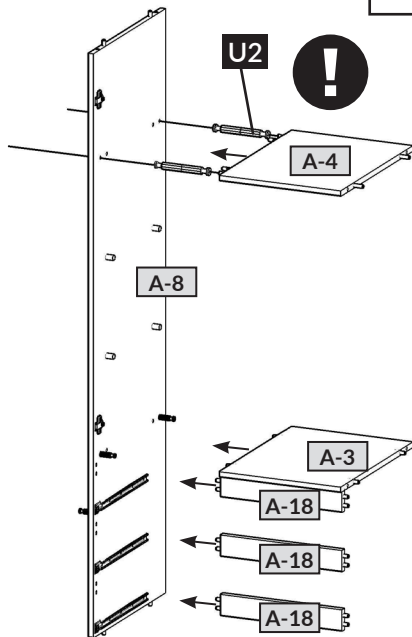
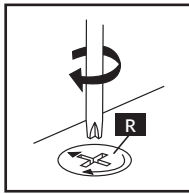
### A / 5

A	x 8
CW6	x 2
E15	x 6
XA	x 1



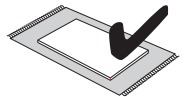
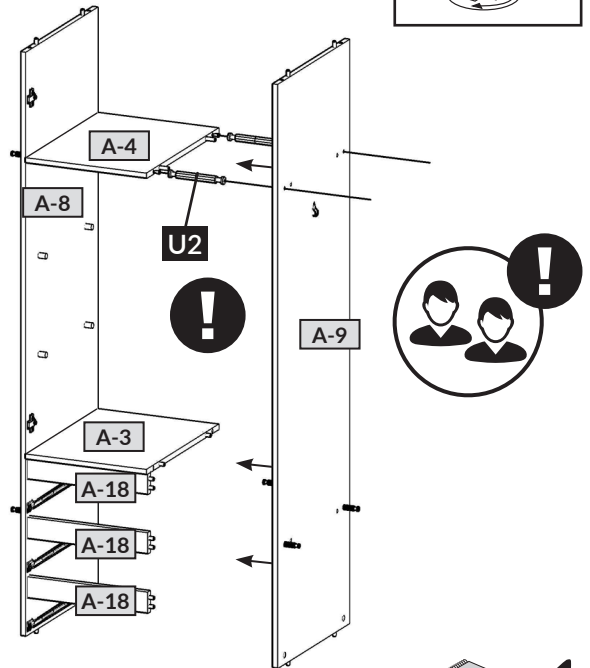
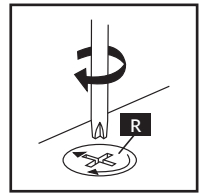
A/6

U2 x 2

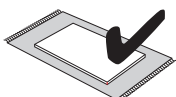
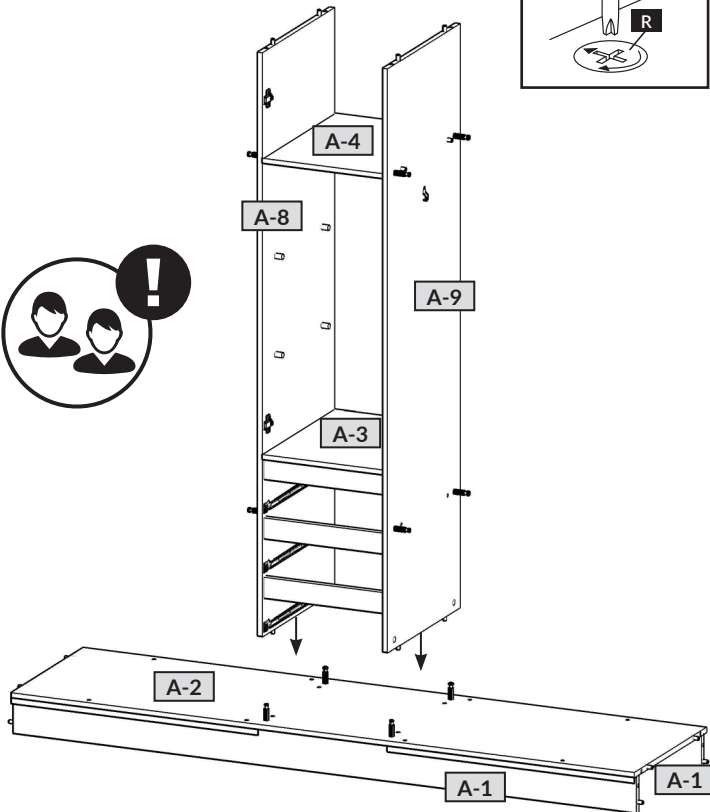
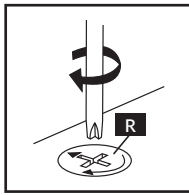


A/7

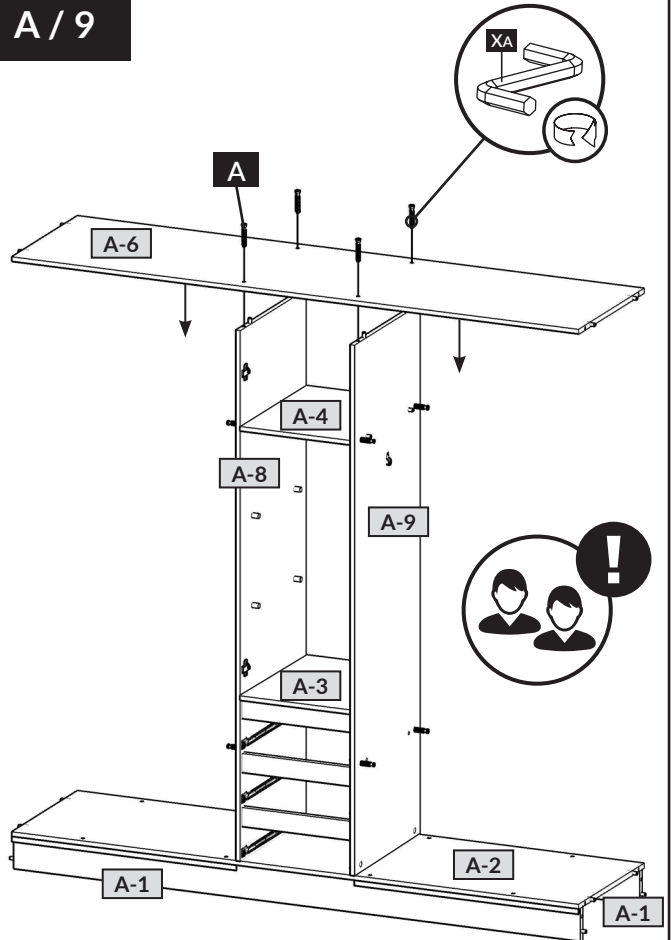
U2 x 2



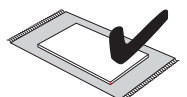
A/8



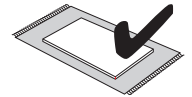
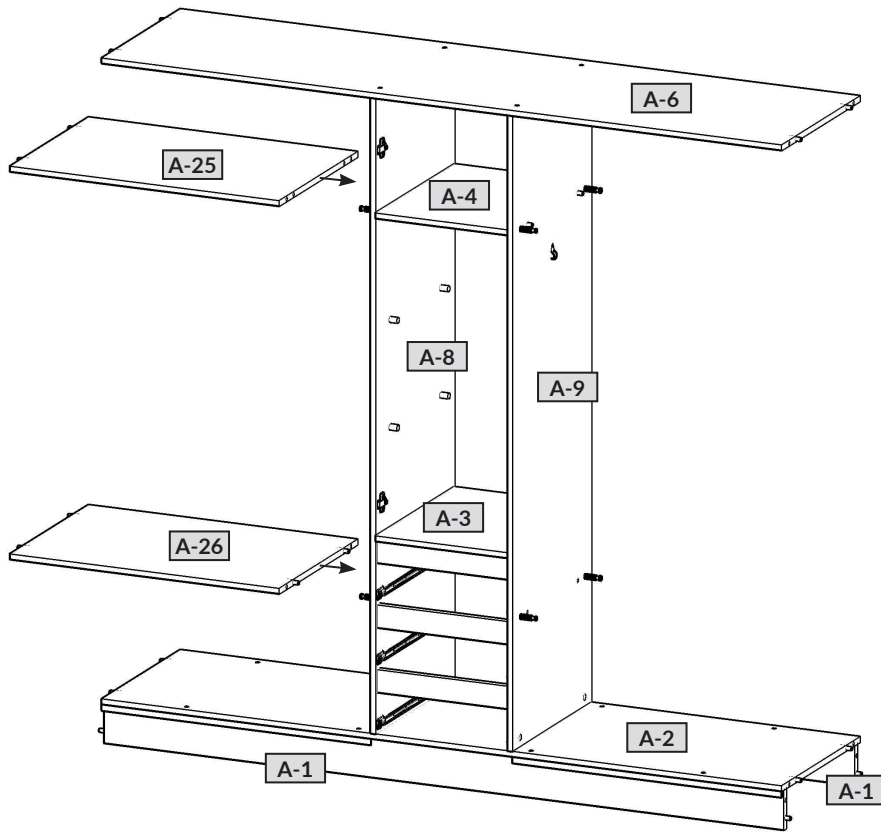
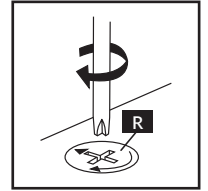
A/9



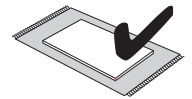
A	x 4
XA	x 1



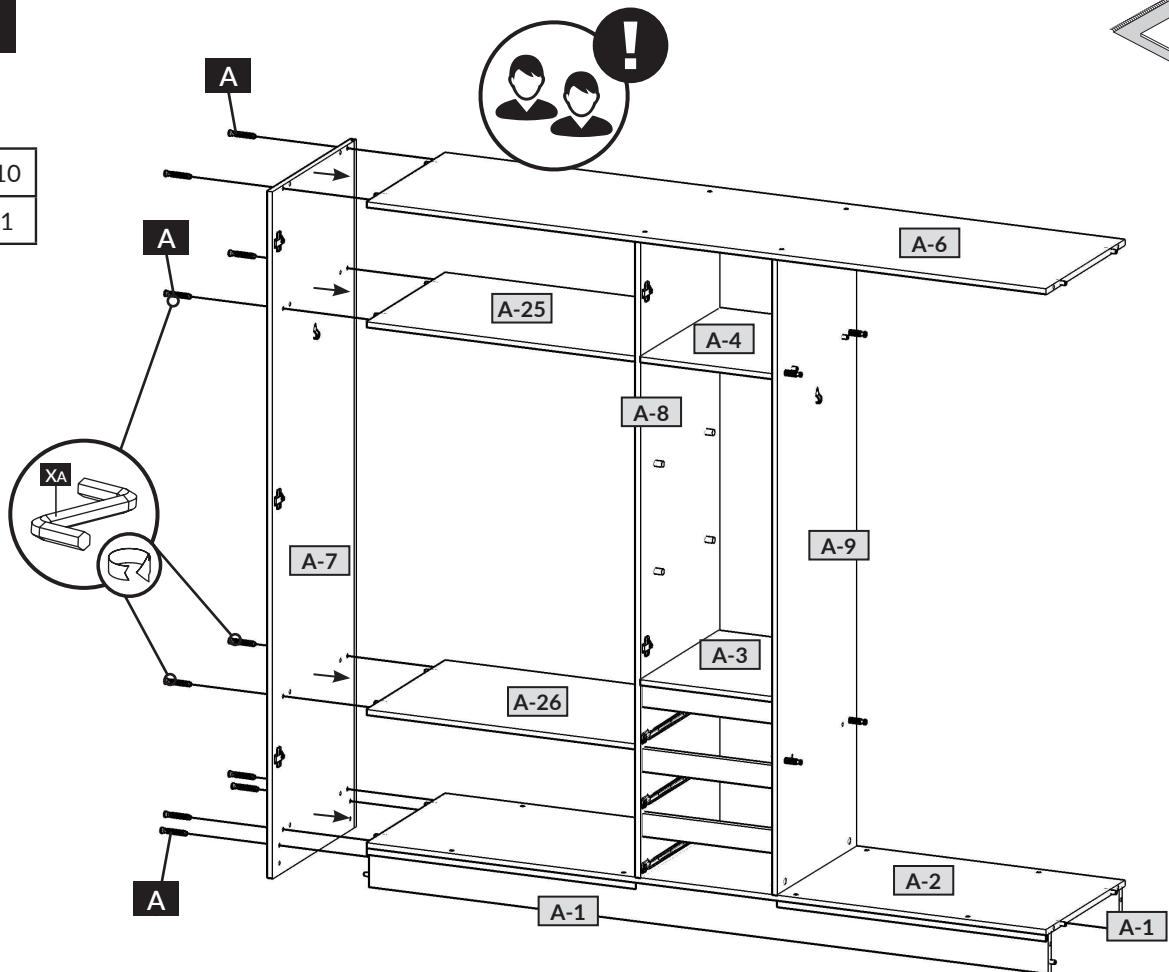
A / 10



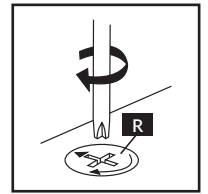
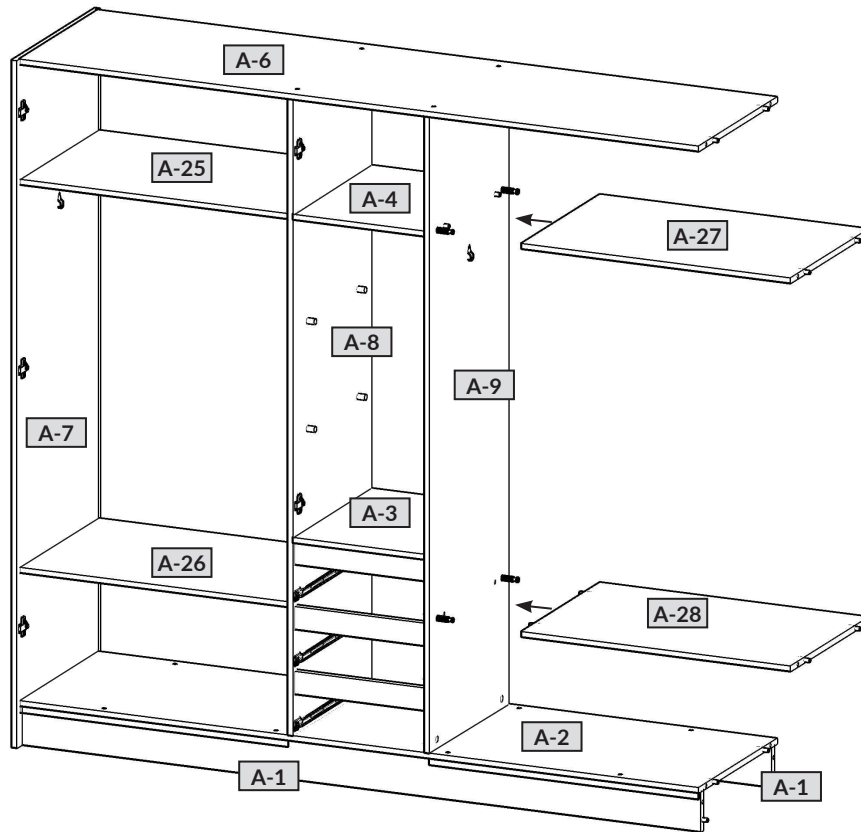
A / 11



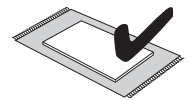
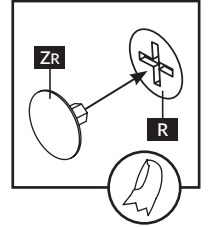
A	x 10
XA	x 1



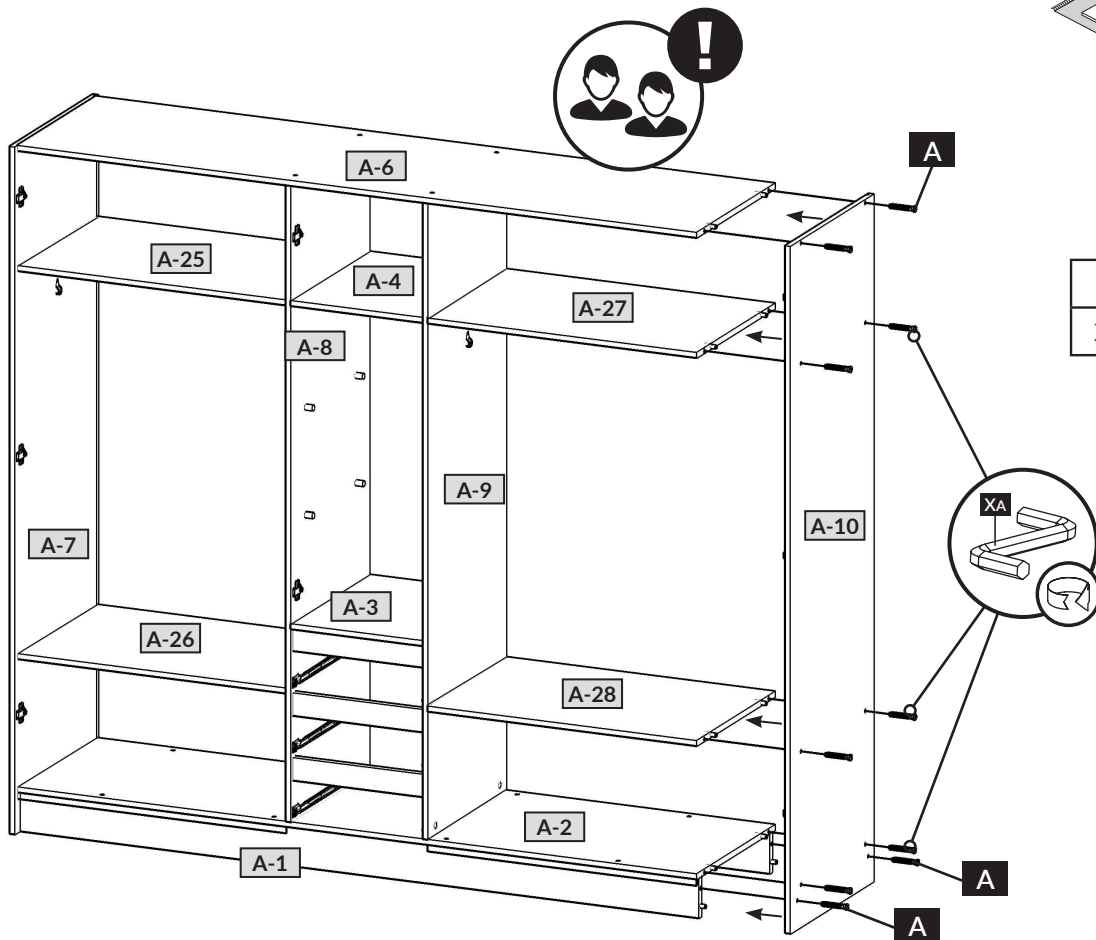
A / 12



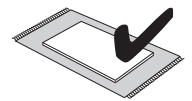
ZR x 20



A / 13

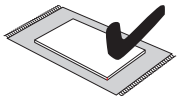


A	x 10
XA	x 1

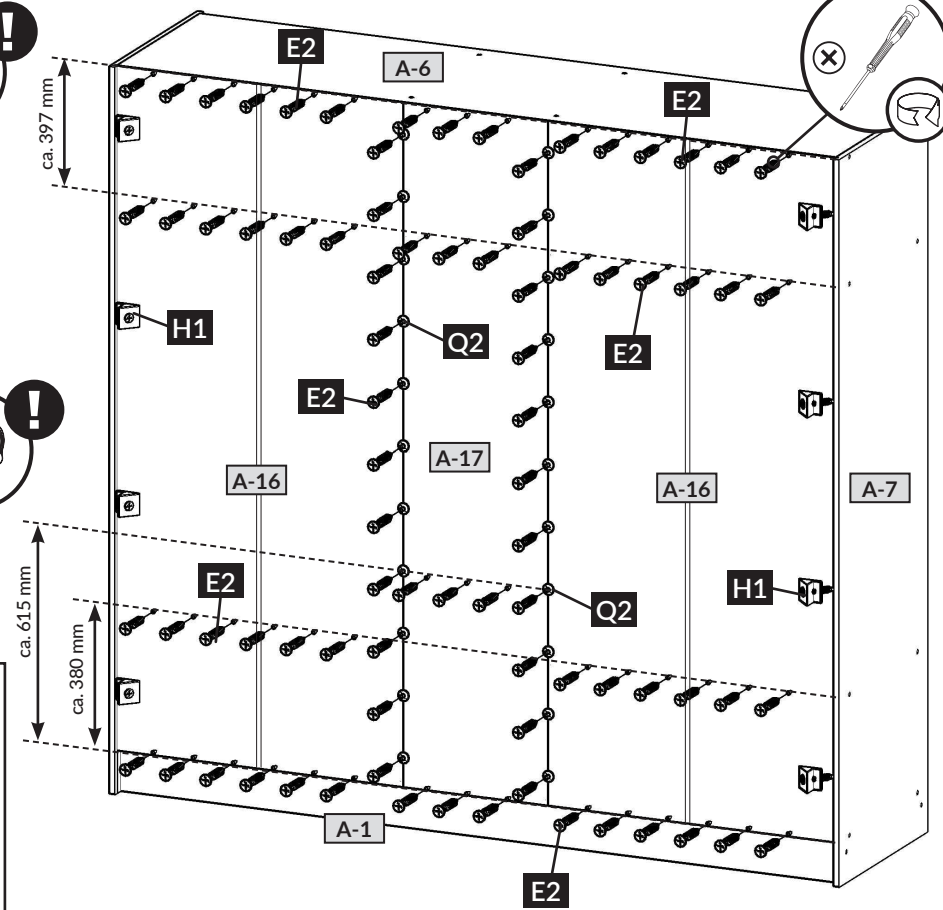
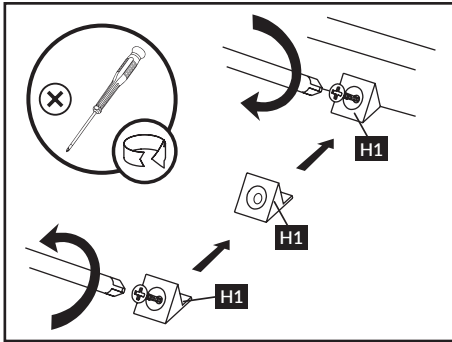
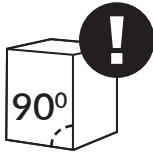
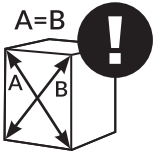




# A / 14

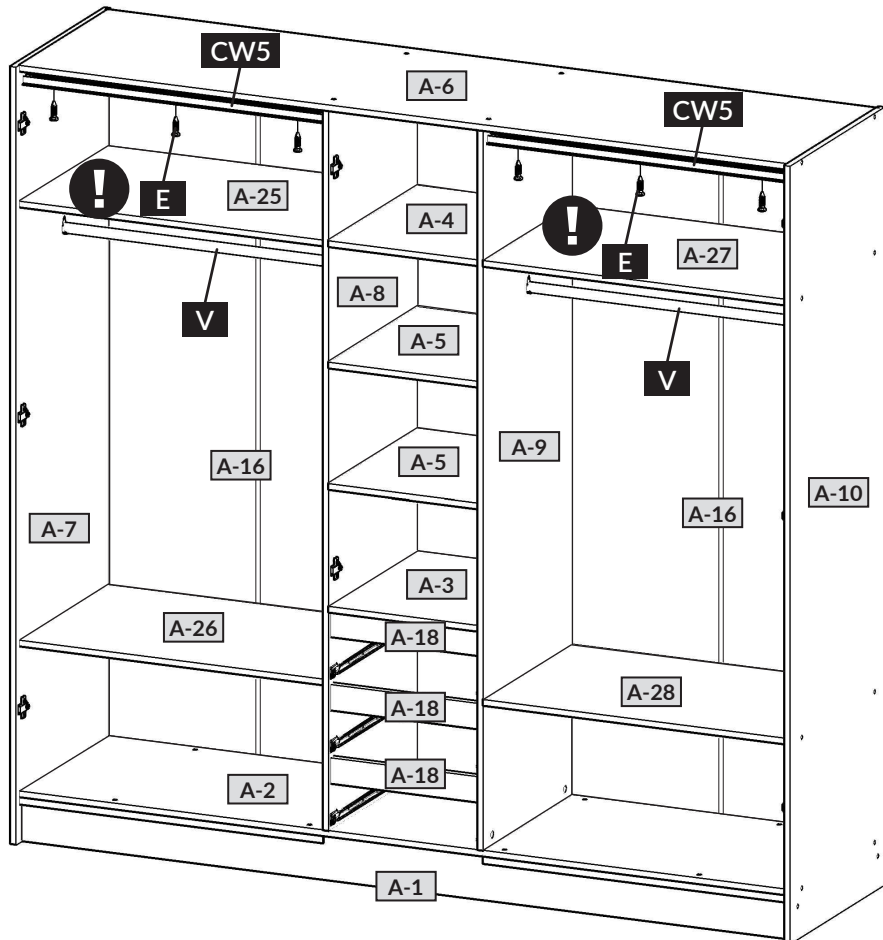
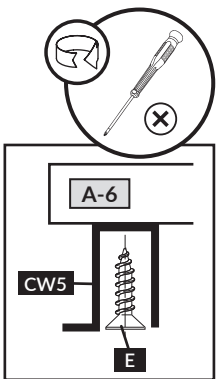


E2	x 82
H1	x 8
Q2	x 22



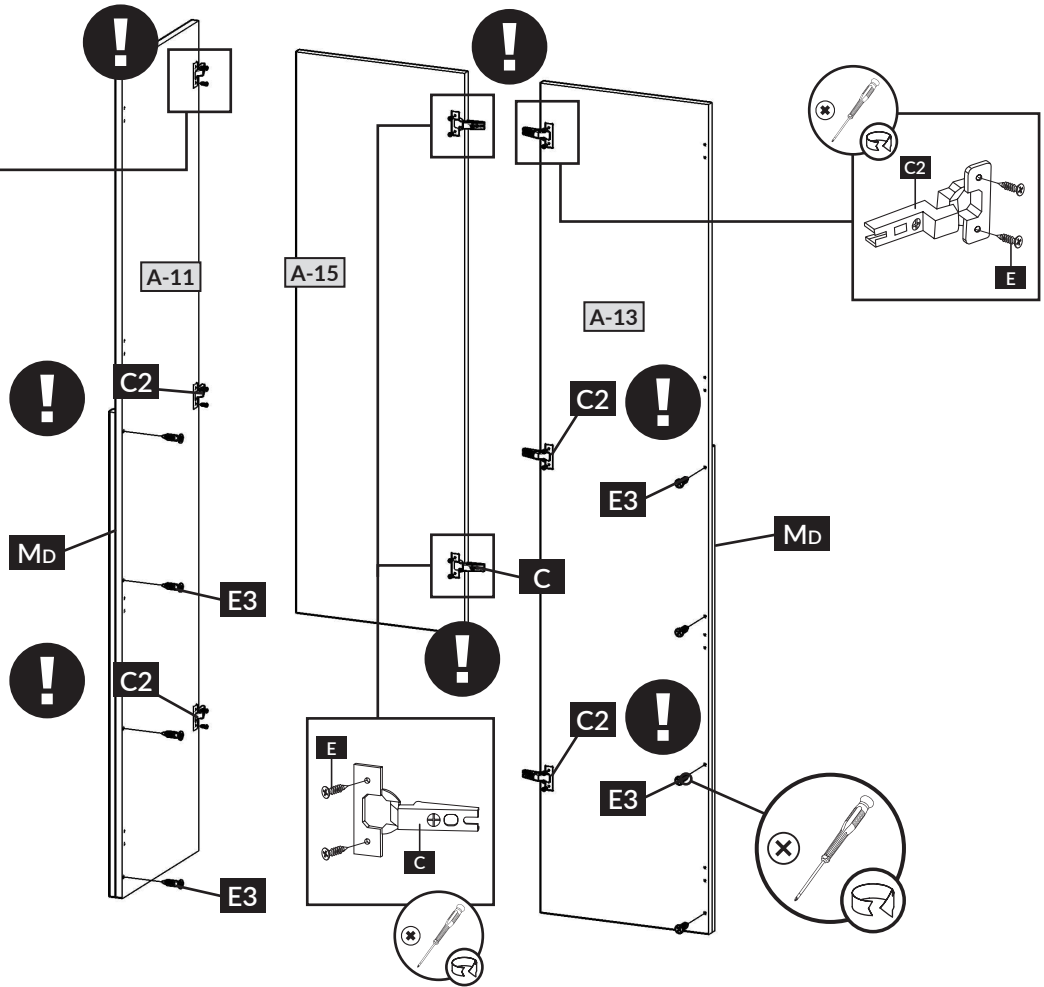
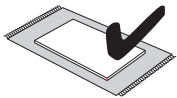
# A / 15

CW5	x 2
E	x 6
V	x 2



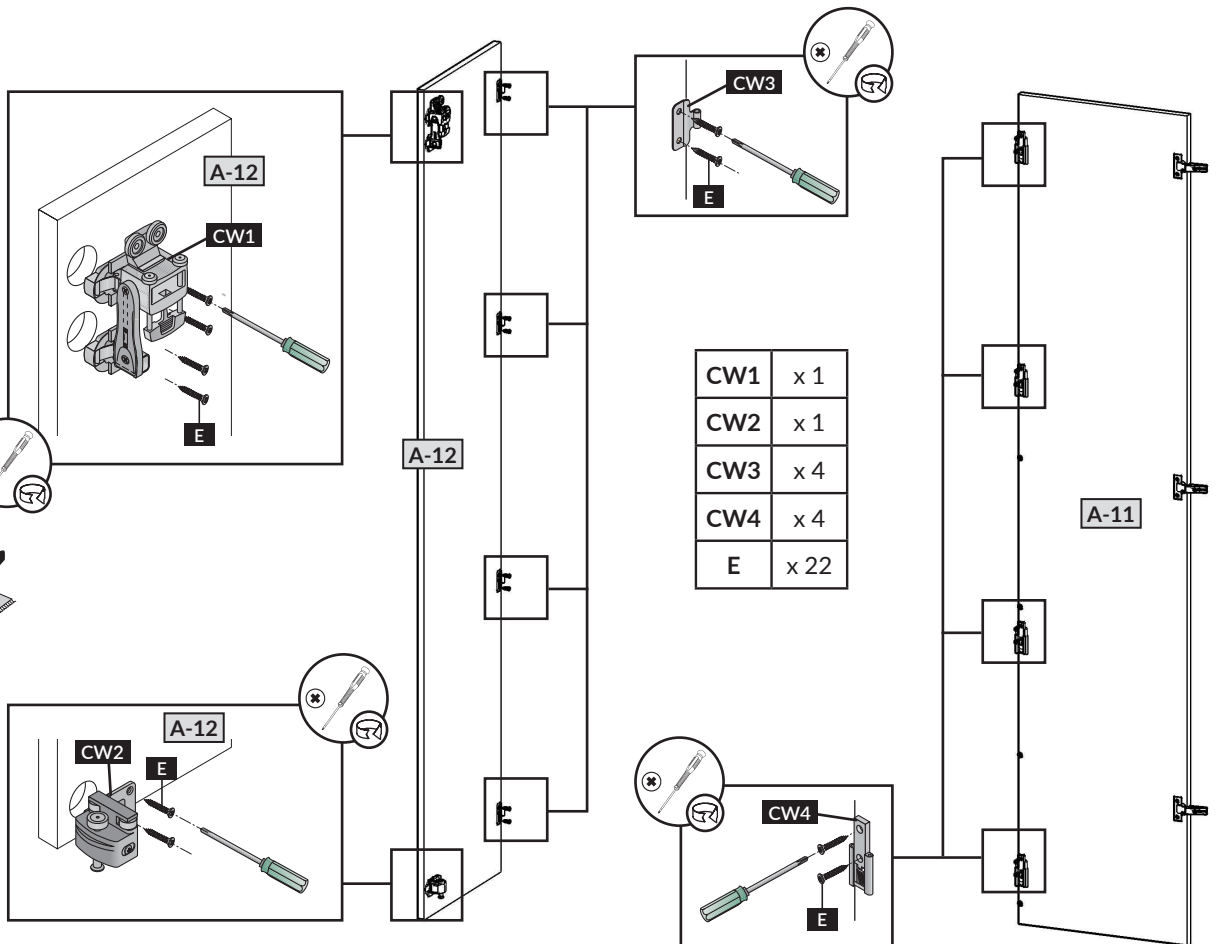
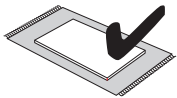
# A / 16

C	x 2
C2	x 6
E	x 16
E3	x 8
Md	x 2

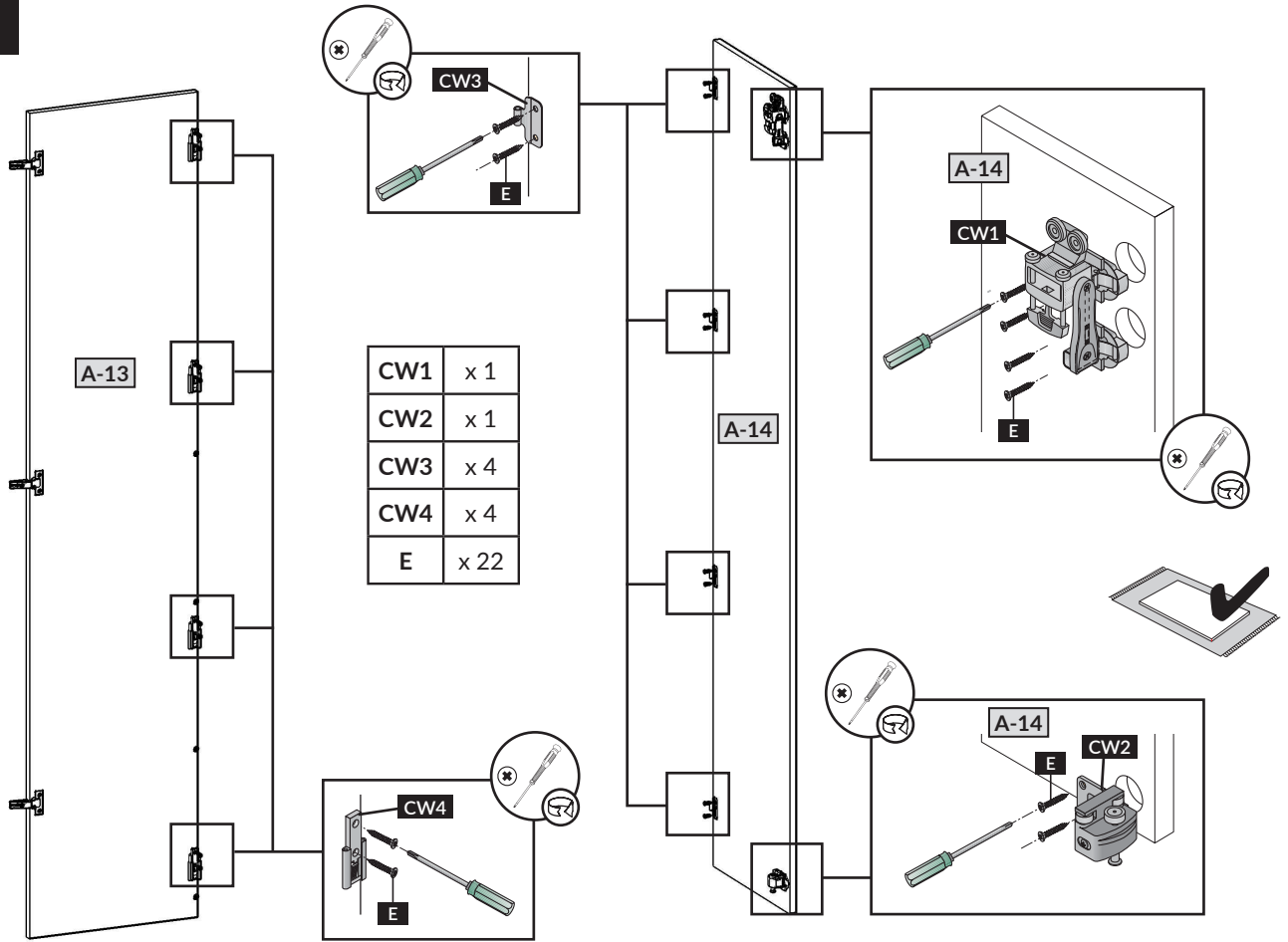


# A / 17

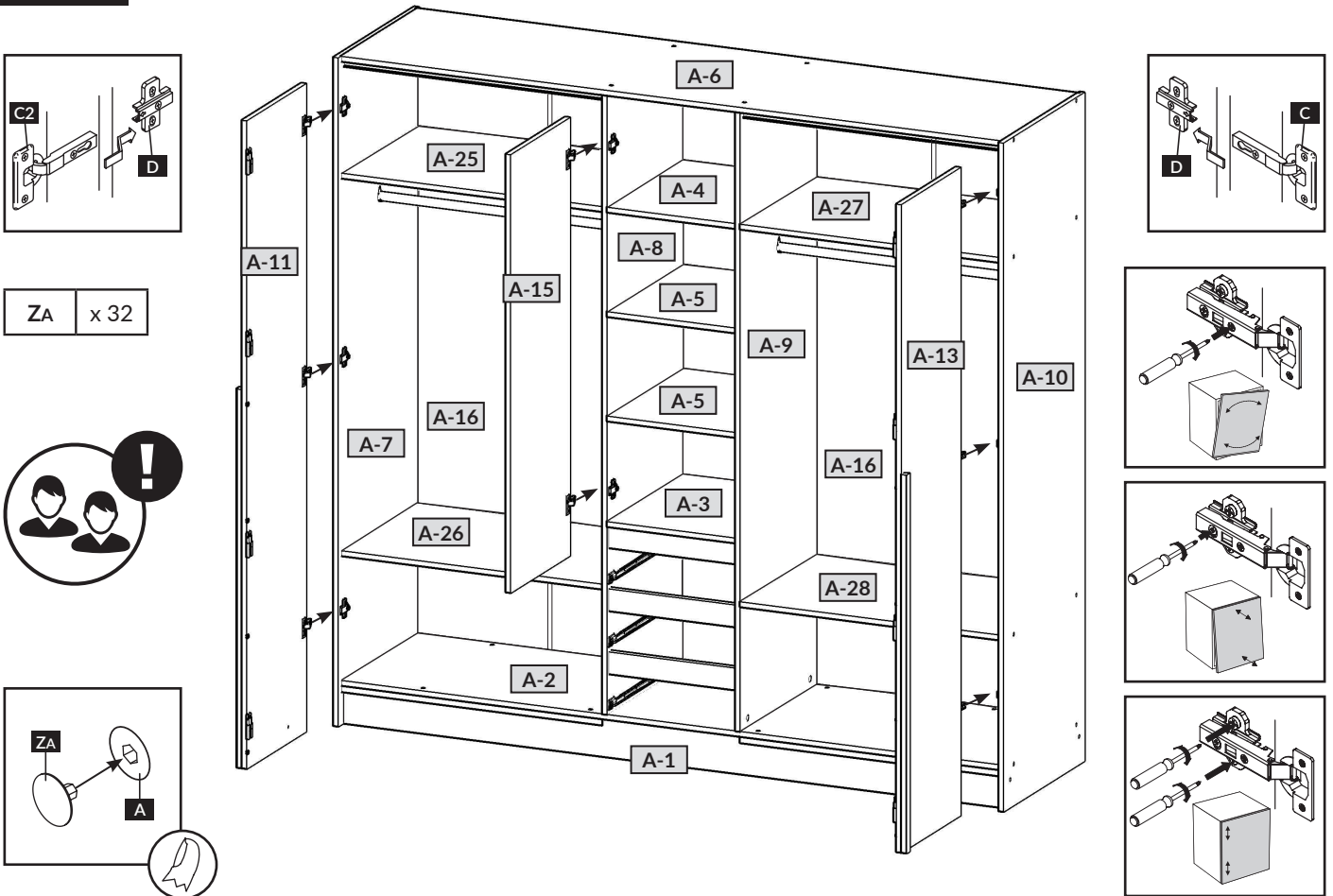
CW1	x 1
CW2	x 1
CW3	x 4
CW4	x 4
E	x 22



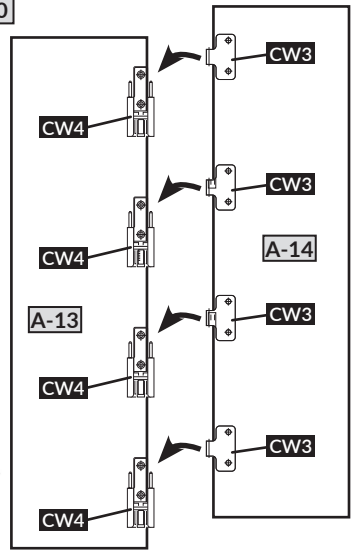
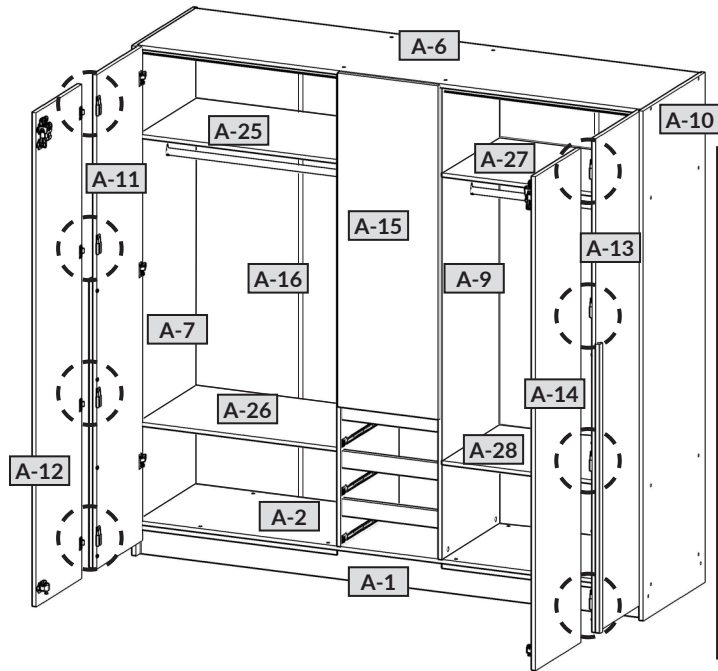
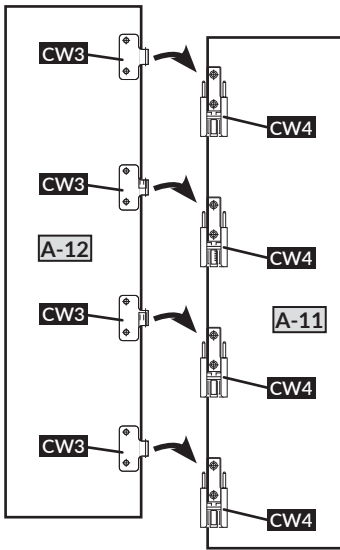
A / 18



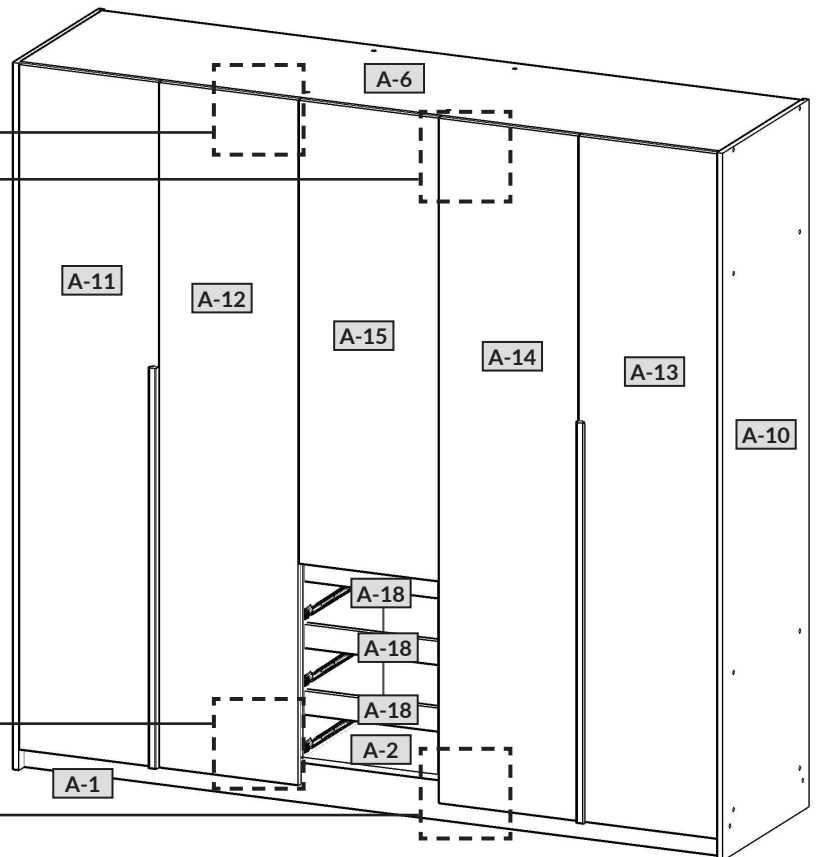
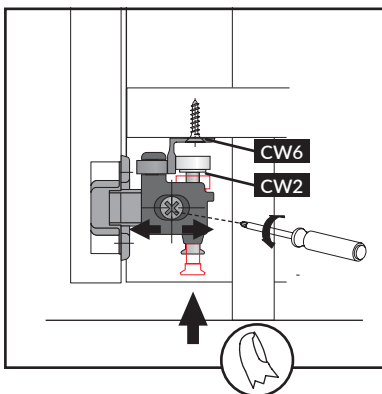
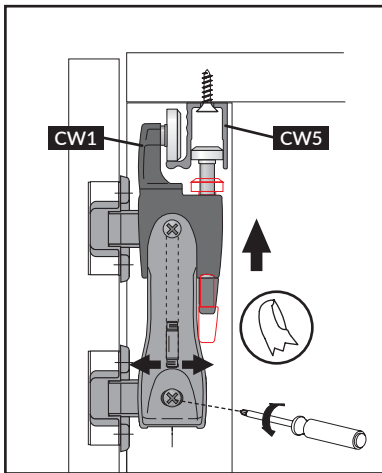
A / 19



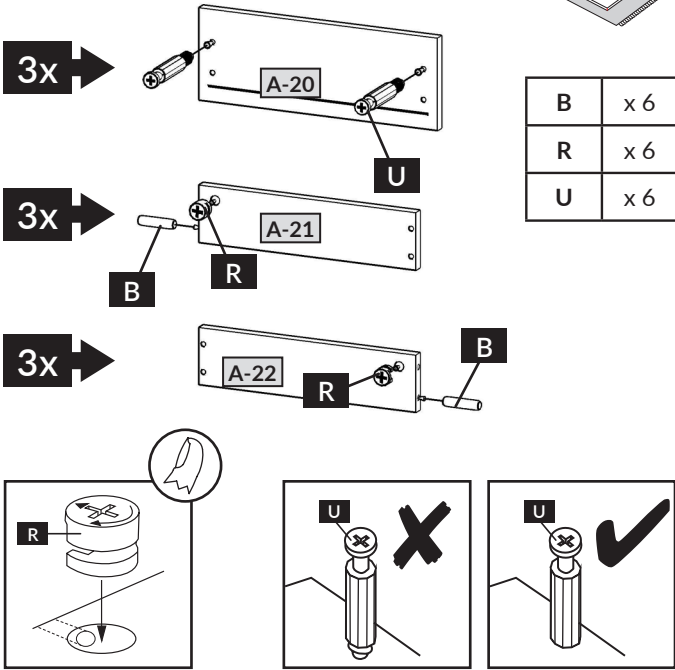
A / 20



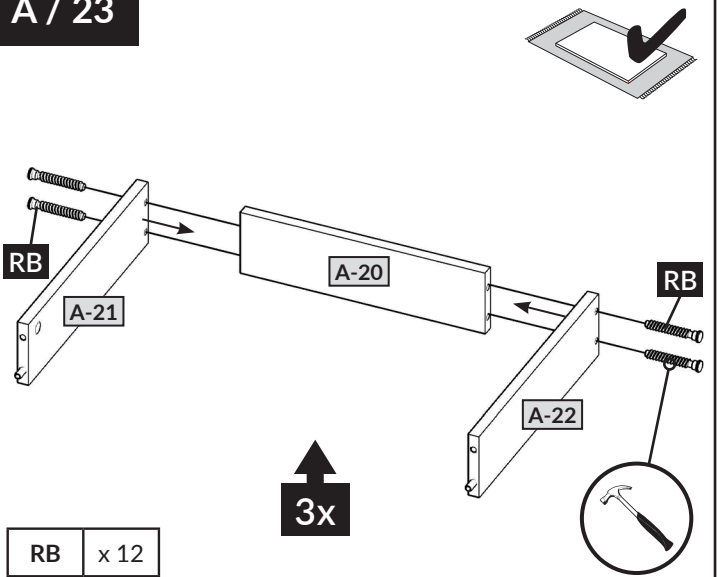
A / 21



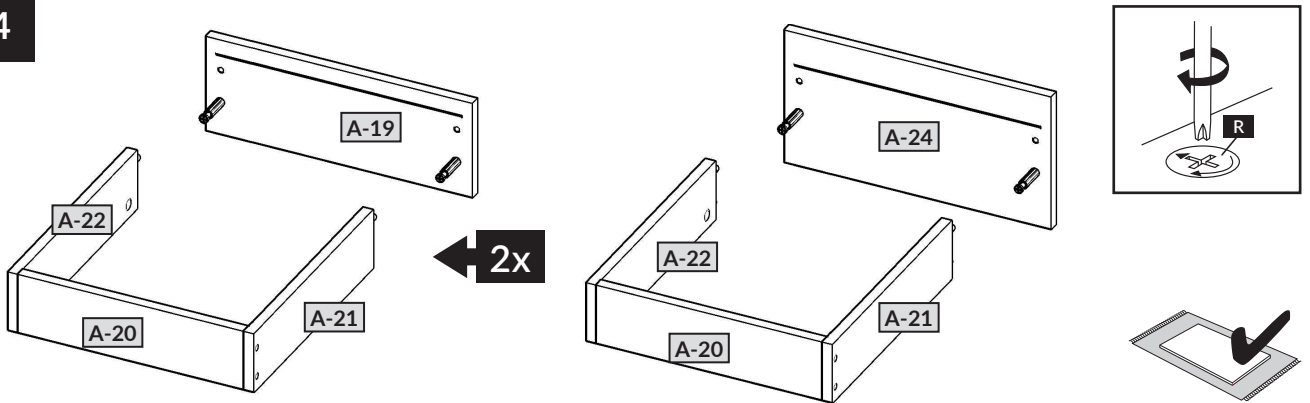
**A / 22**



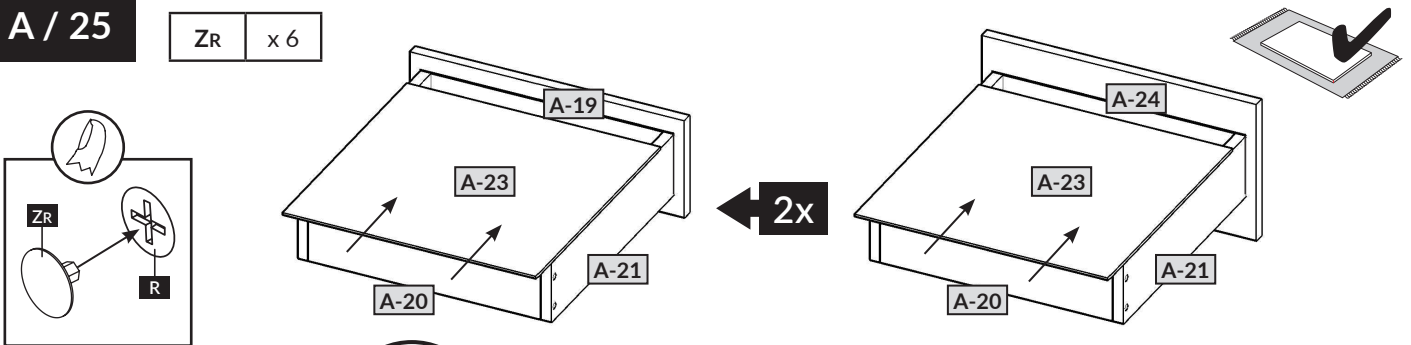
**A / 23**



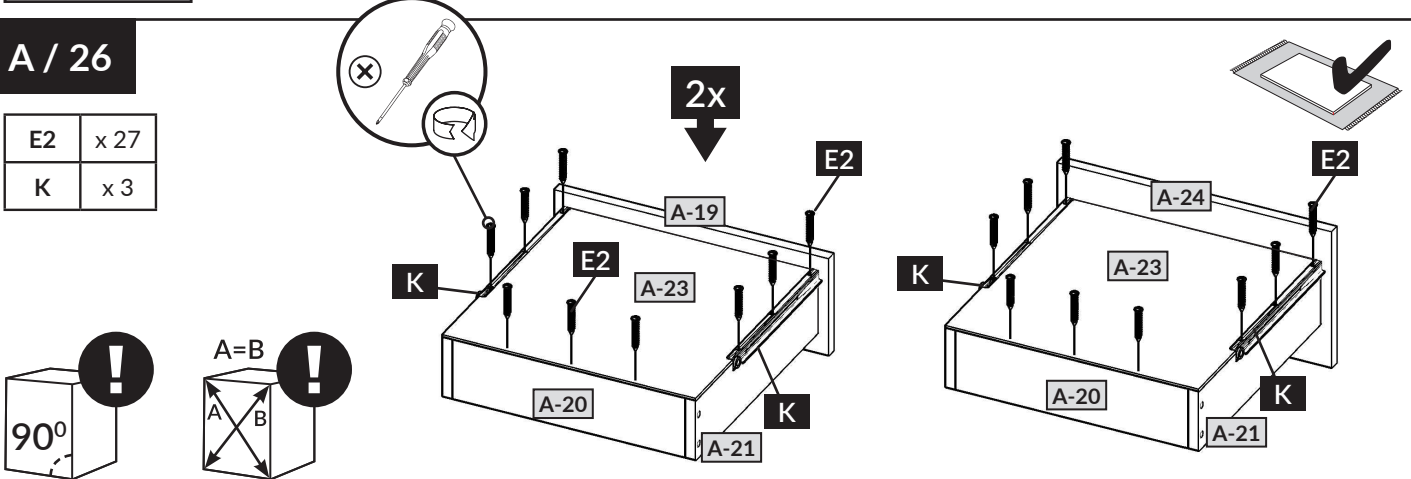
**A / 24**



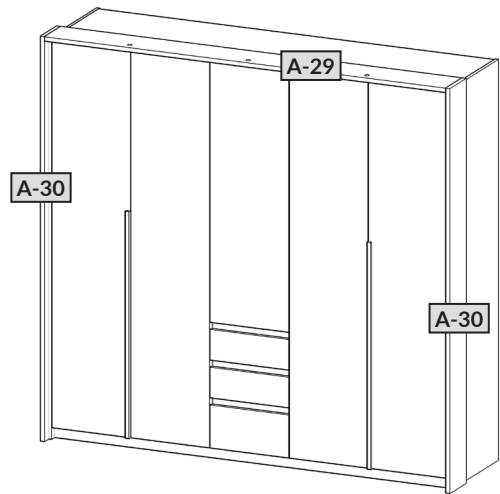
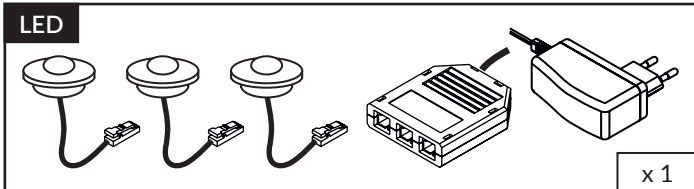
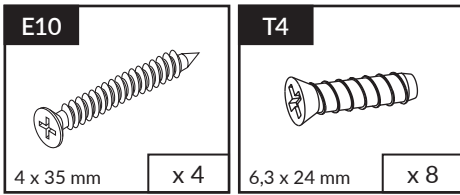
**A / 25**



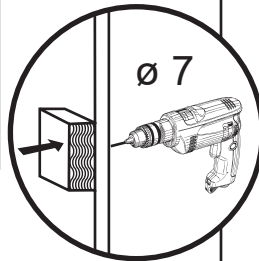
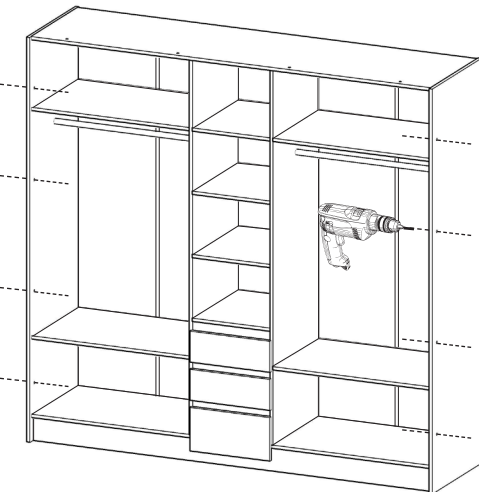
**A / 26**



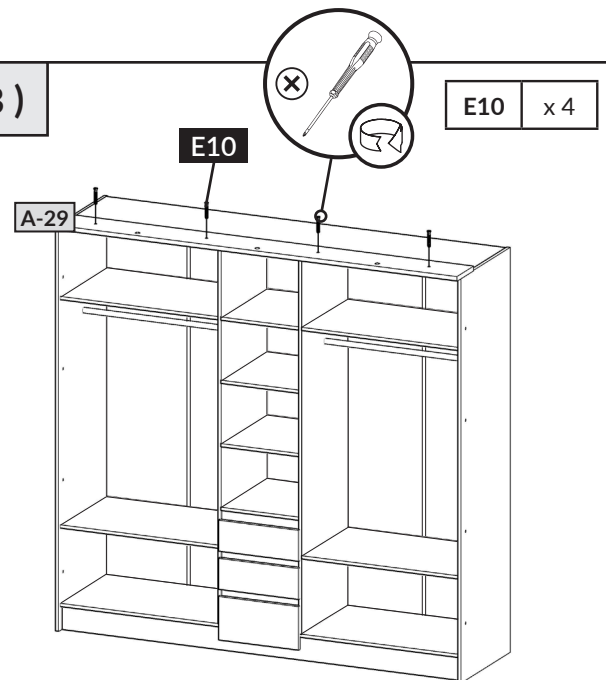
1	A-29	2251 / 185 / 22 mm	x 1
2	A-30	2152 / 185 / 22 mm	x 2



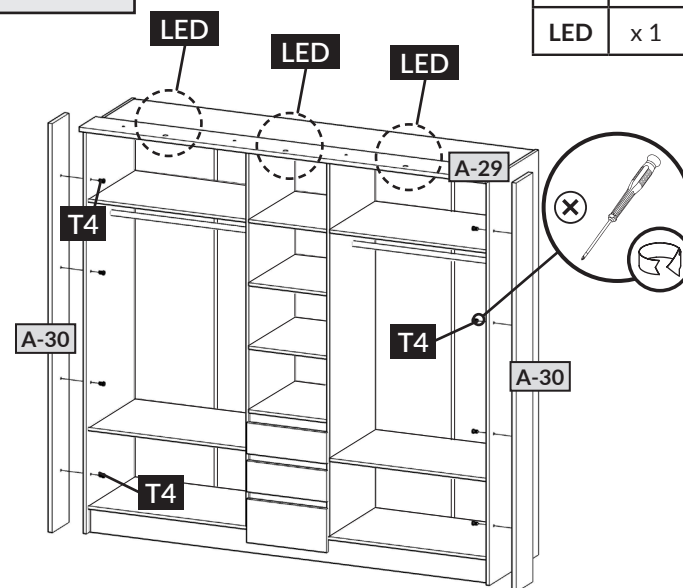
**A (A)**



**A (B)**

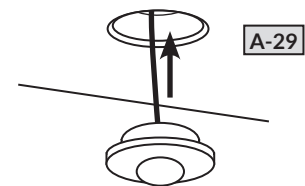


**A (C)**

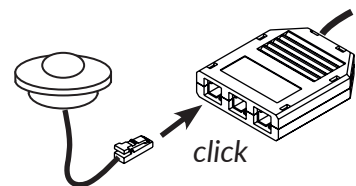


**LED / 1**

3x



**LED / 2**



**LED / 3**

