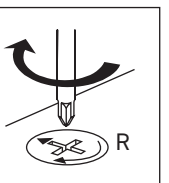
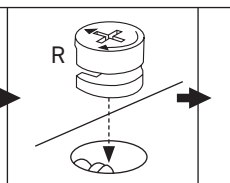
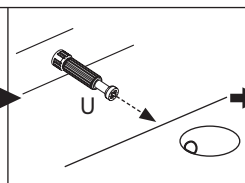
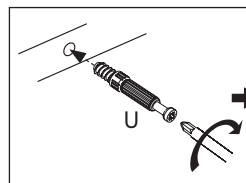
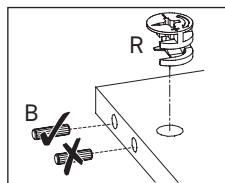
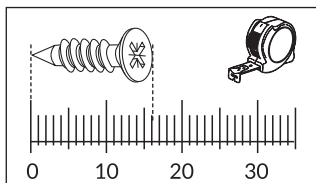
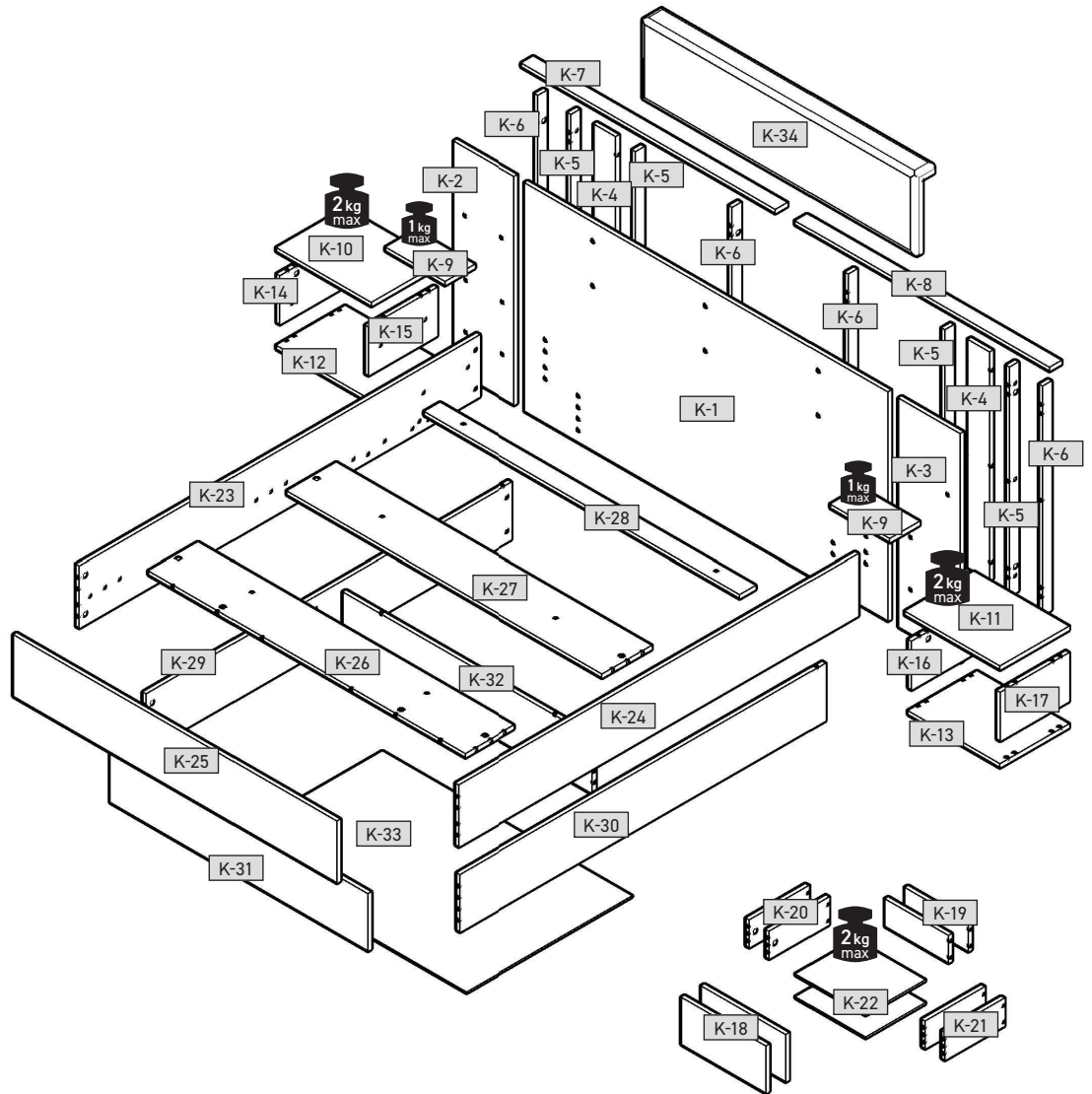
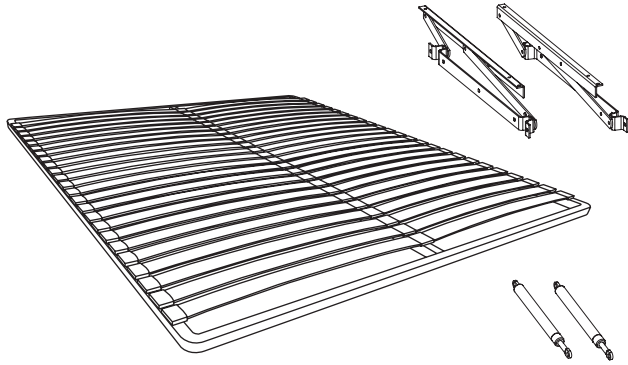


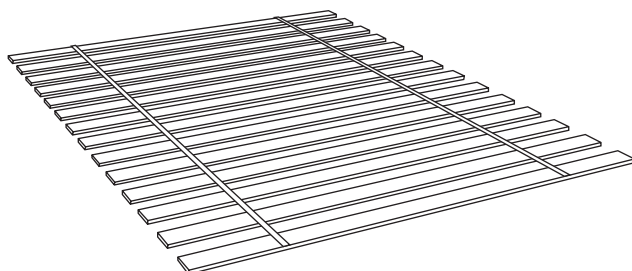
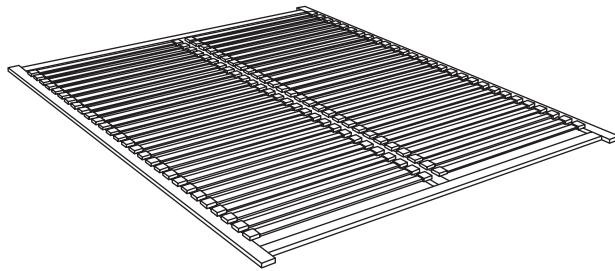
K-1	1832	1000	16	x 1	1/2
K-2	311	1000	16	x 1	1/2
K-3	311	1000	16	x 1	1/2
K-4	110	1000	16	x 2	1/2
K-5	1000	44	16	x 4	2/2
K-6	1000	44	16	x 4	2/2
K-7	1282	62	16	x 1	1/2
K-8	1282	62	16	x 1	1/2
K-9	300	150	16	x 2	1/2
K-10	480	348	16	x 1	1/2
K-11	480	348	16	x 1	1/2
K-12	464	348	16	x 1	1/2
K-13	464	348	16	x 1	1/2
K-14	212	347	16	x 1	2/2
K-15	212	347	16	x 1	2/2
K-16	212	347	16	x 1	2/2
K-17	212	347	16	x 1	2/2
K-18	426	206	16	x 2	2/2
K-19	376	120	16	x 2	1/2
K-20	300	120	16	x 2	2/2
K-21	300	120	16	x 2	2/2
K-22	406	306	3	x 2	1/2
K-23	2022	270	16	x 1	2/2
K-24	2022	270	16	x 1	2/2
K-25	1633	271	16	x 1	1/2
K-26	1600	250	16	x 1	2/2
K-27	1600	250	16	x 1	2/2
K-28	1600	80	16	x 1	2/2
K-29	1850	250	16	x 1	2/2
K-30	1850	250	16	x 1	2/2
K-31	1301	250	16	x 1	1/2
K-32	1268	250	16	x 1	1/2
K-33	1296	1002	3	x 1	1/2
K-34	1370	315	90	x 1	2/2



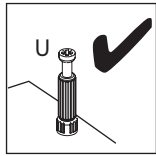
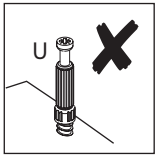
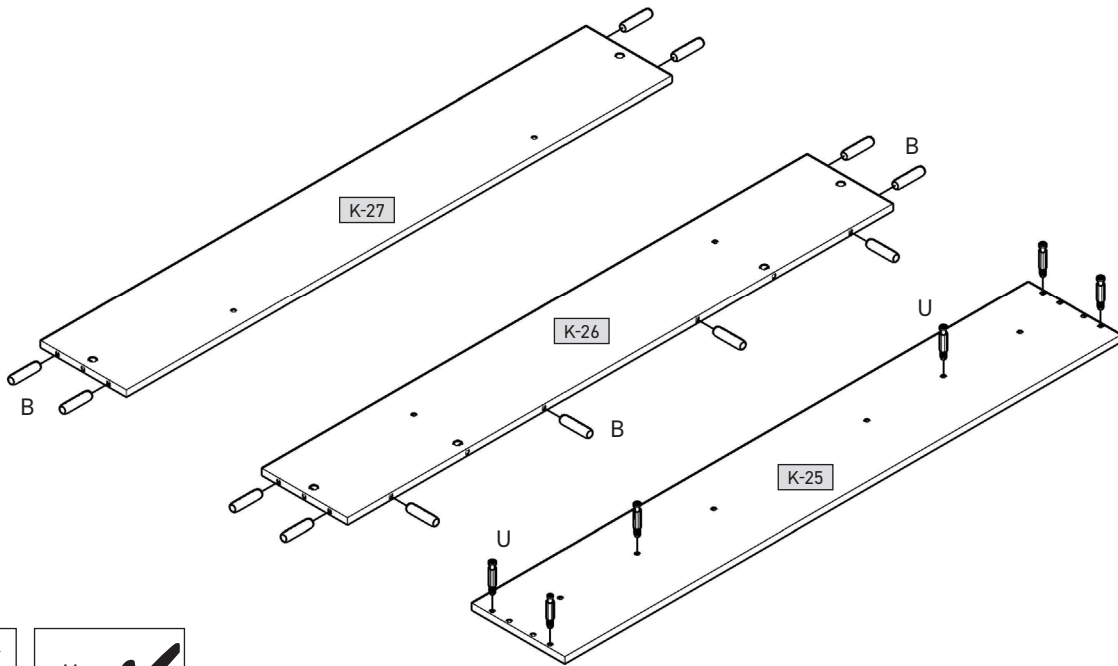
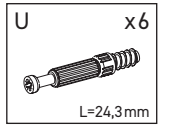
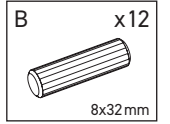


A

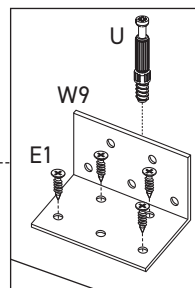
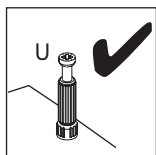
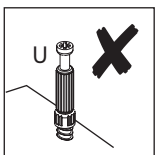
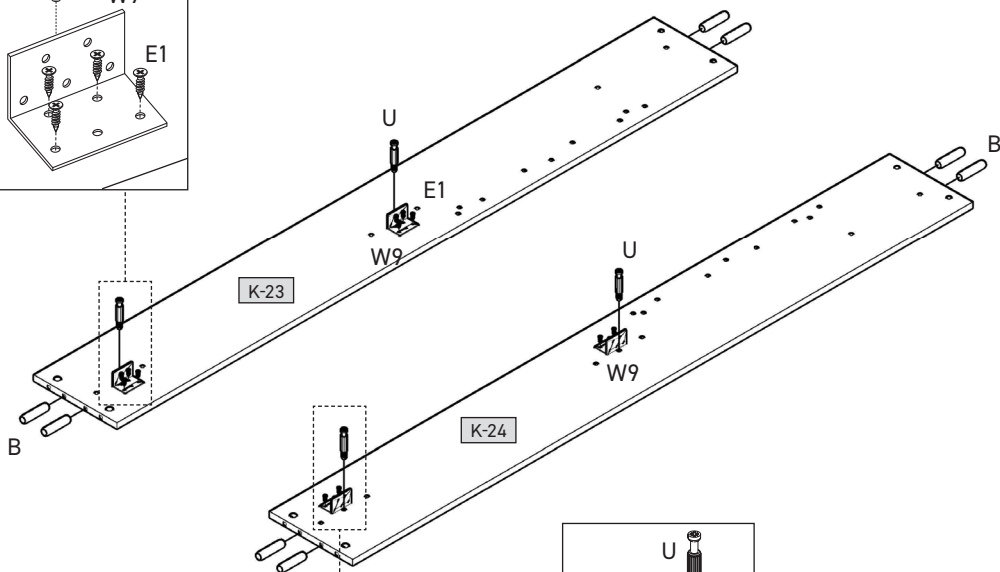
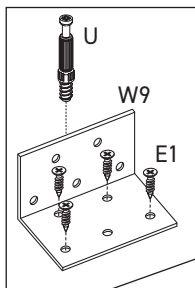
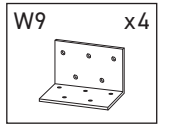
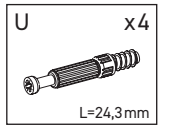
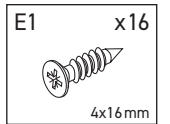
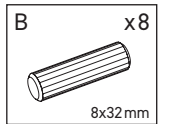
C



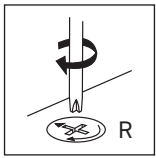
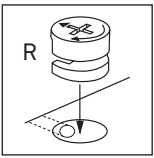
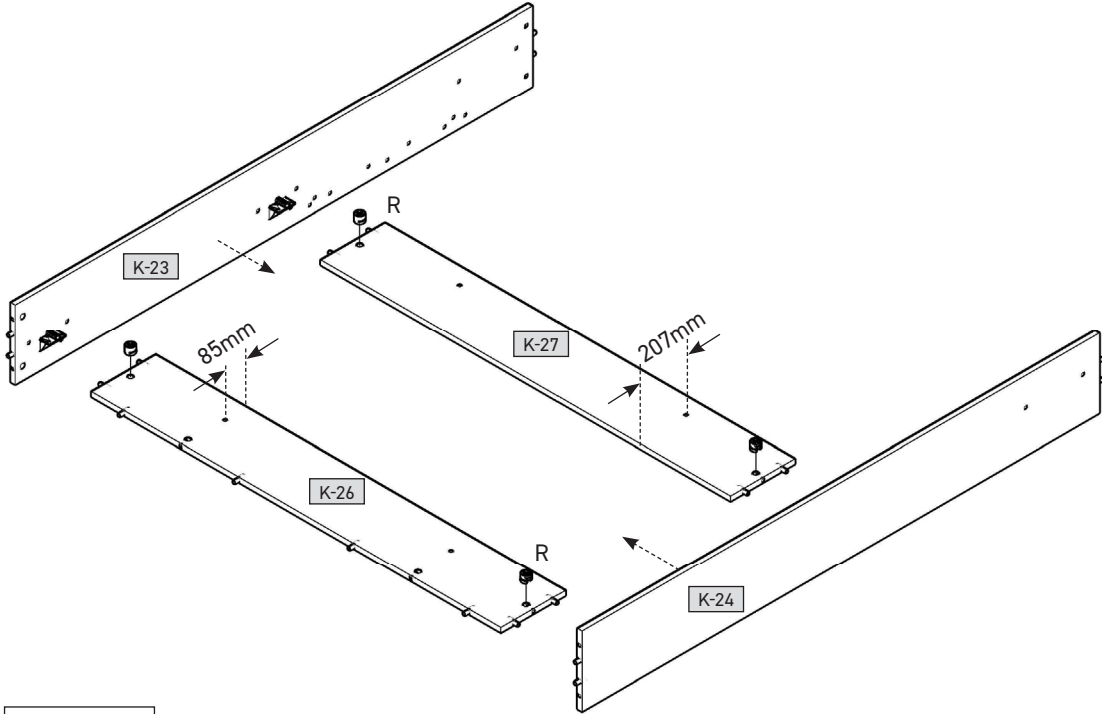
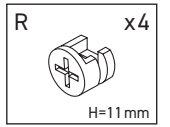
1



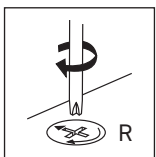
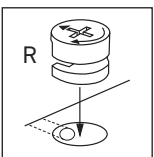
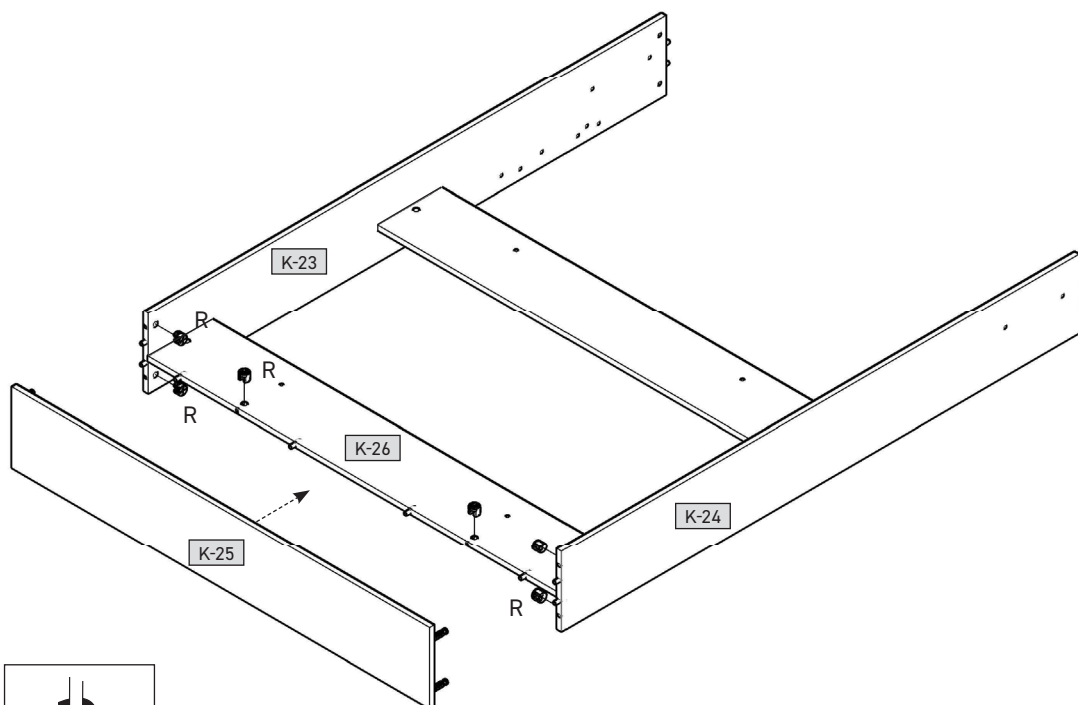
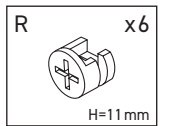
2



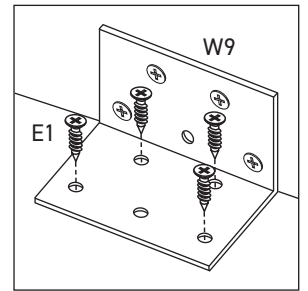
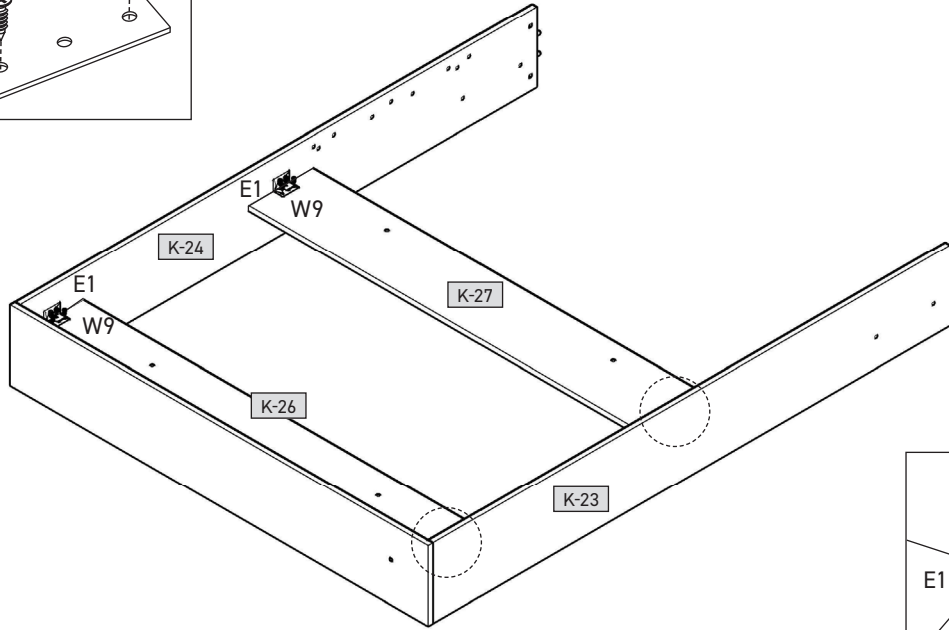
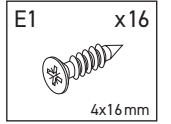
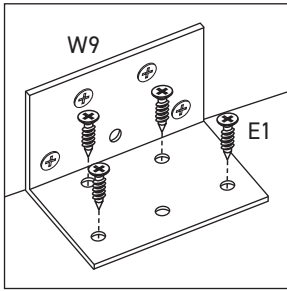
3



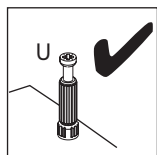
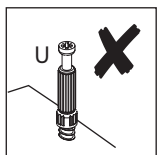
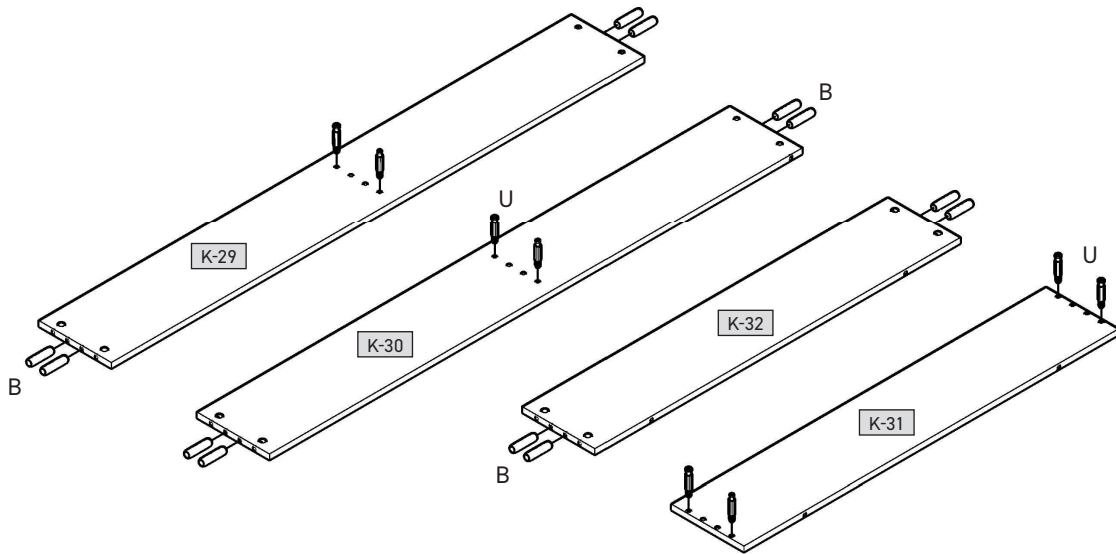
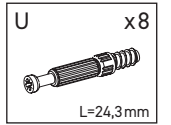
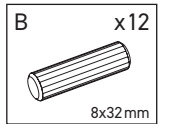
4



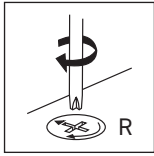
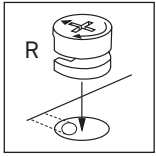
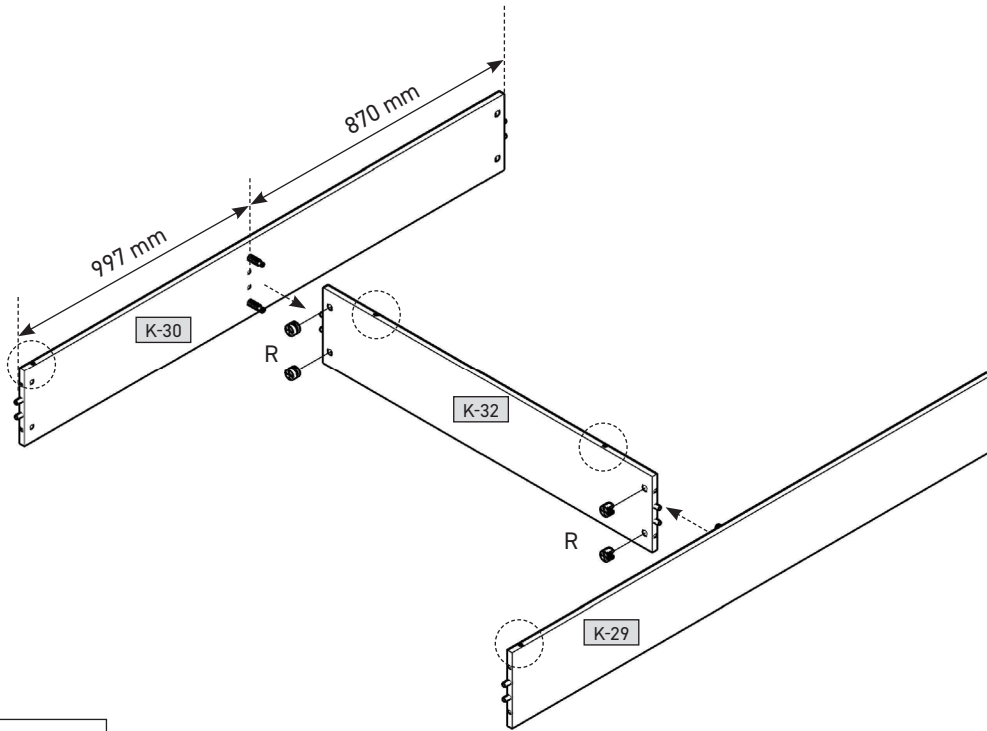
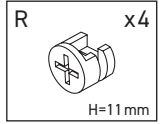
5



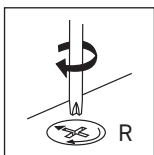
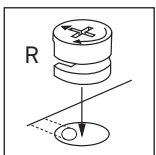
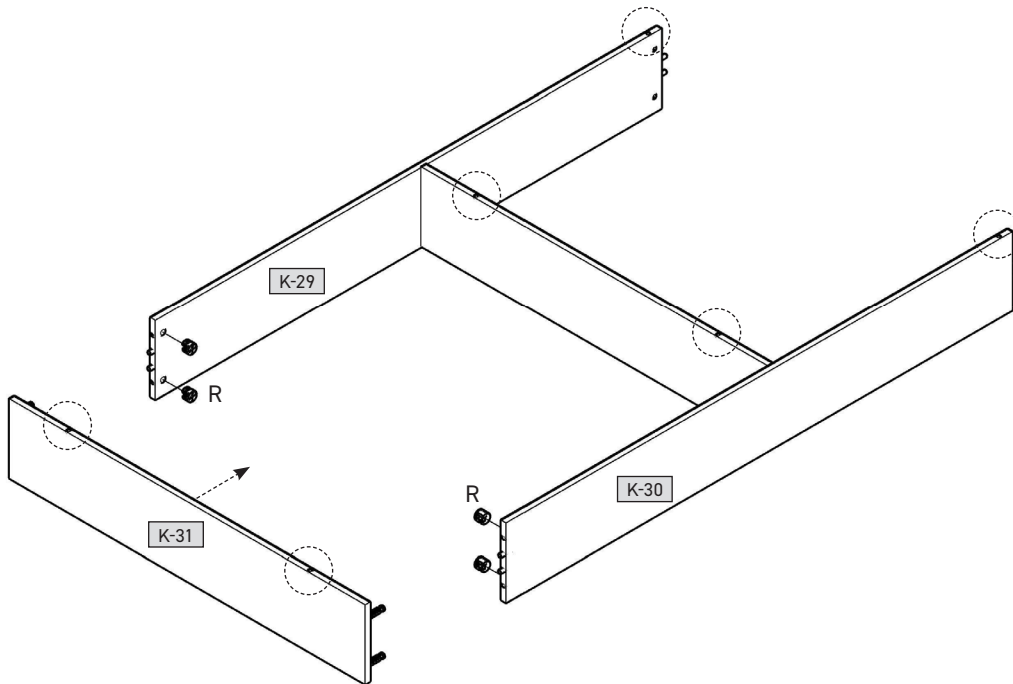
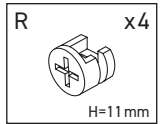
6



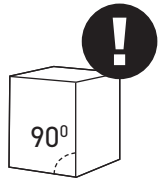
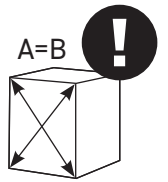
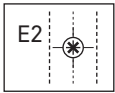
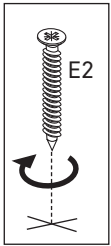
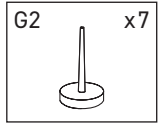
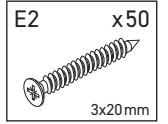
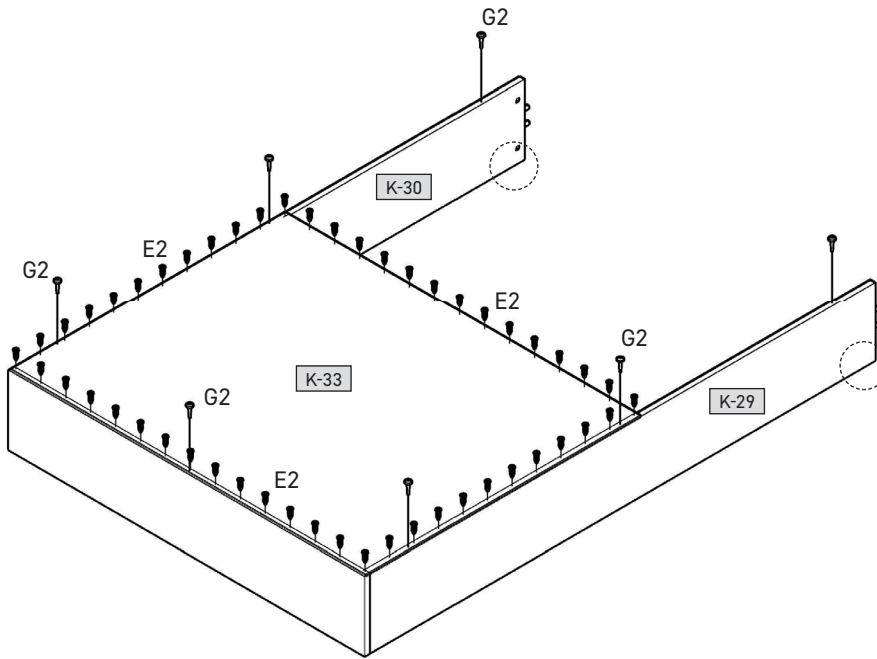
7



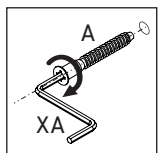
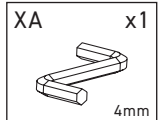
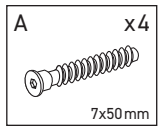
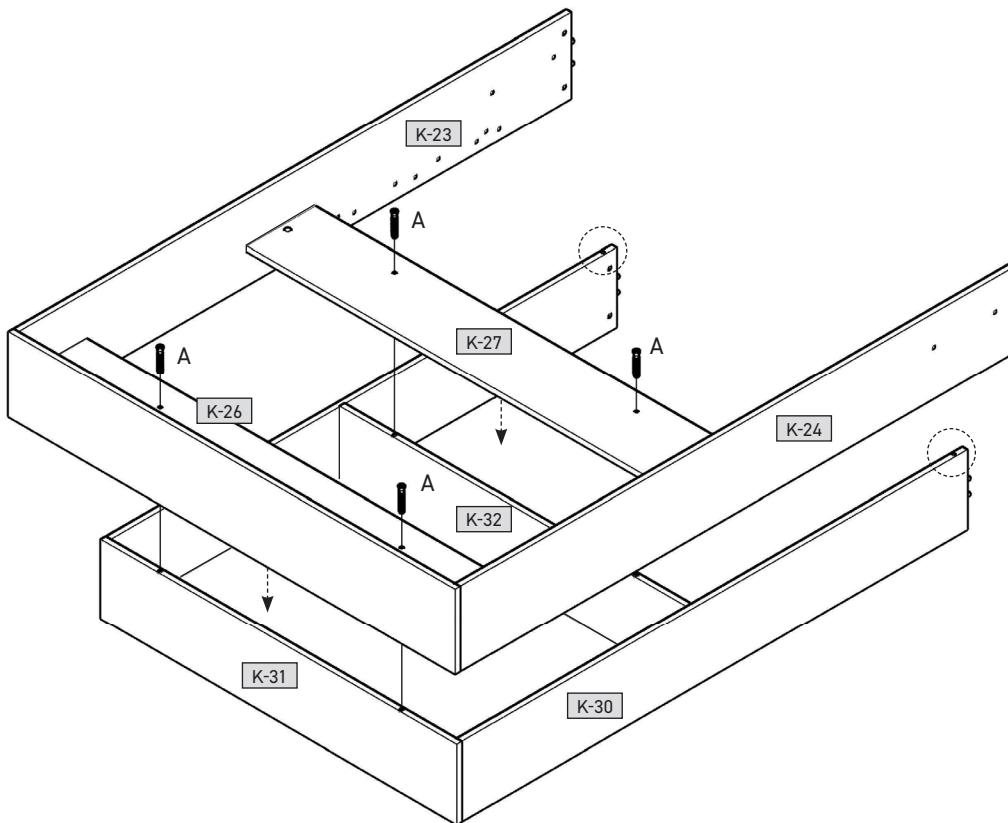
8



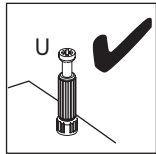
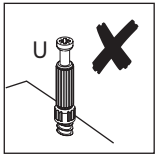
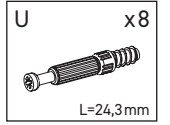
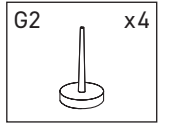
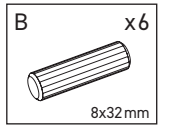
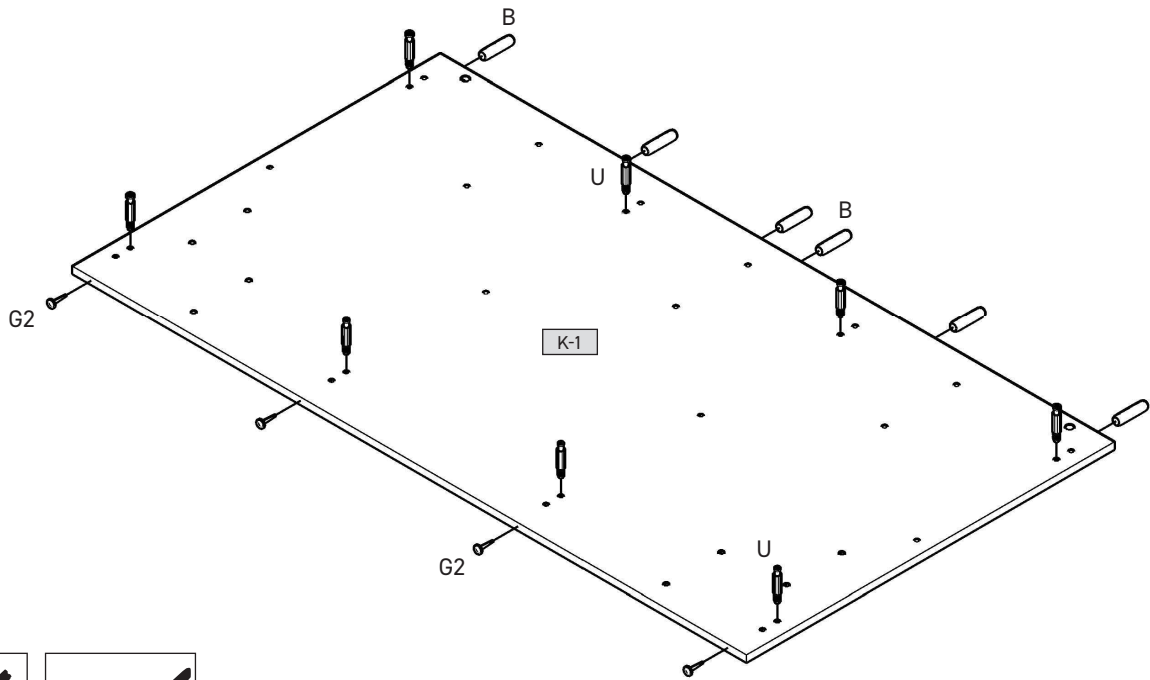
9



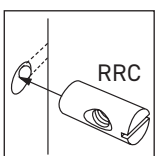
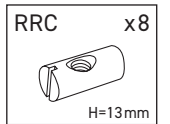
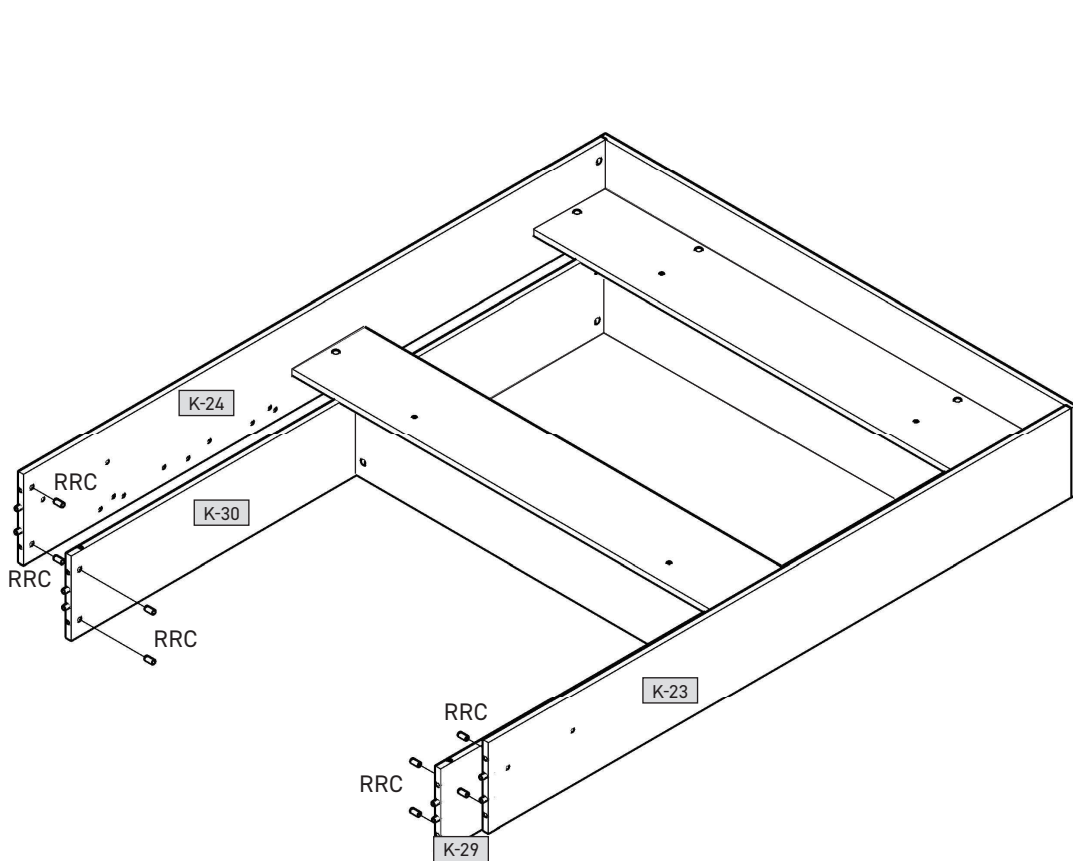
10



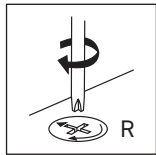
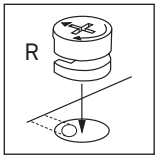
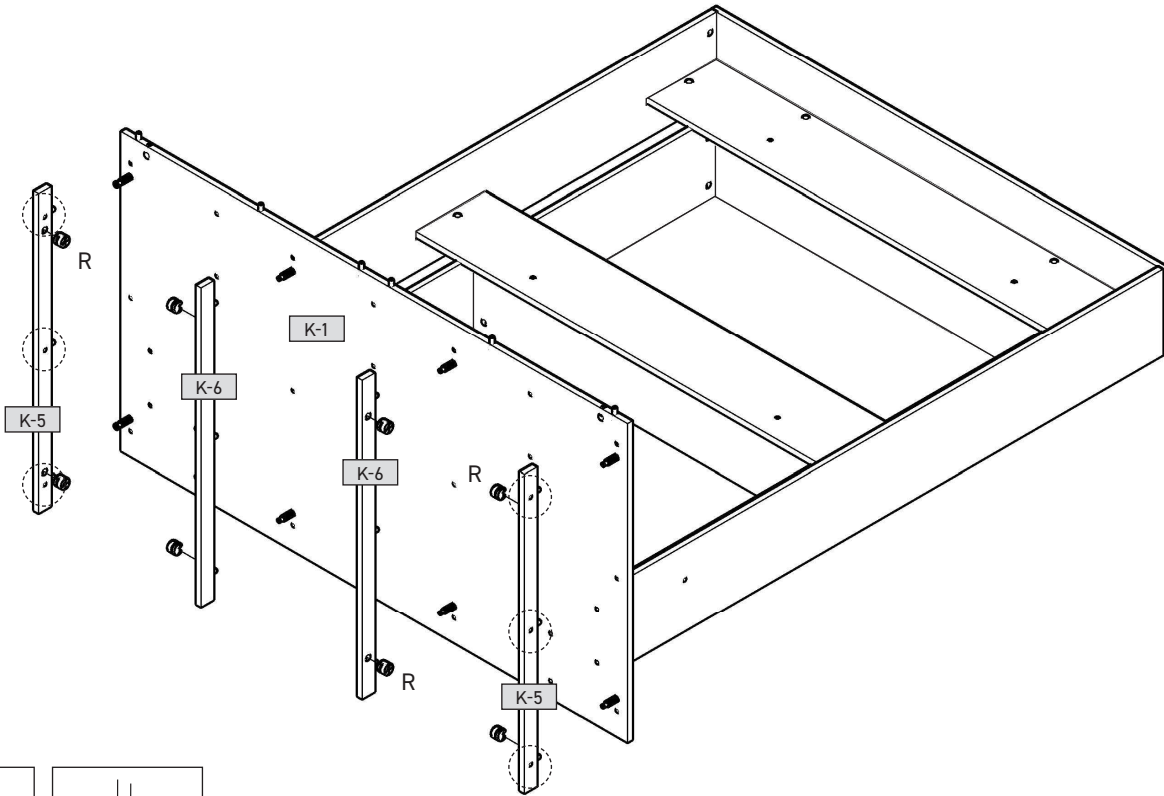
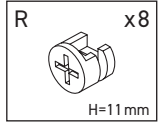
11



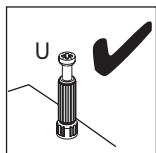
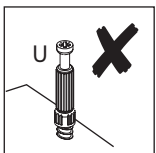
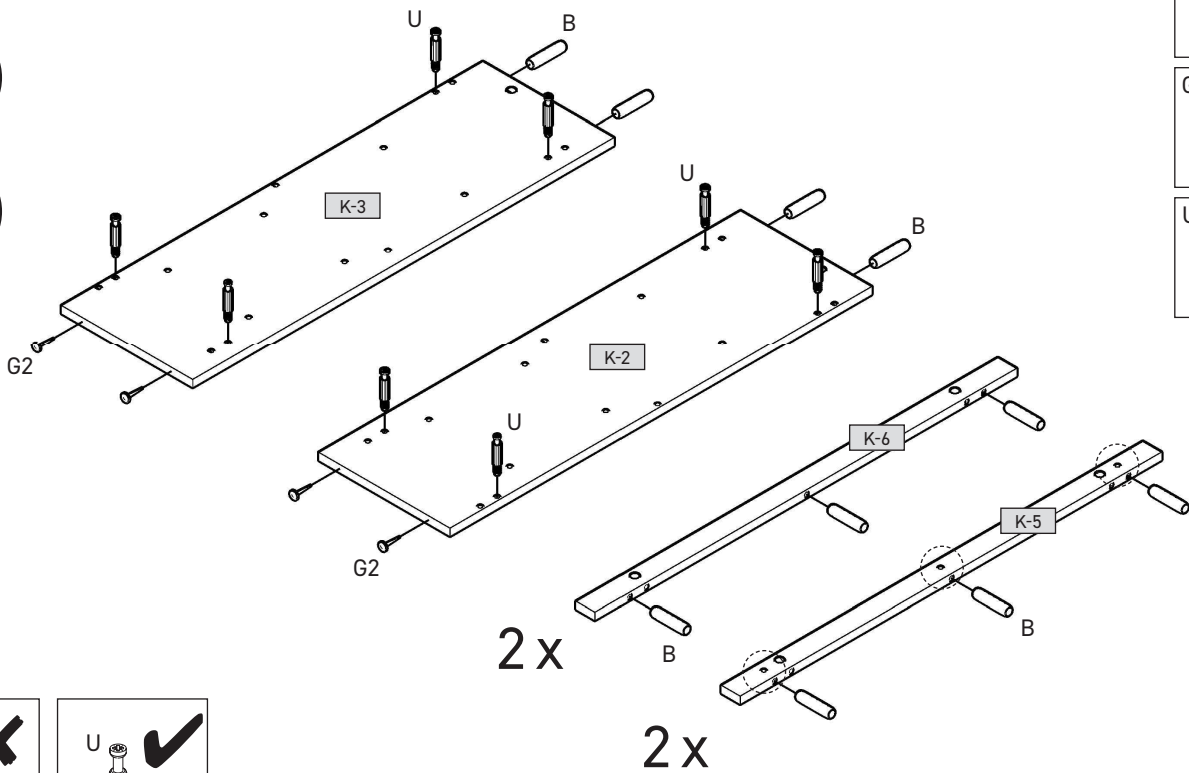
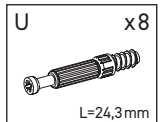
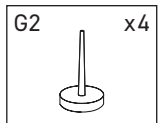
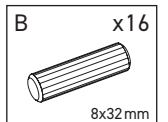
12



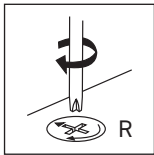
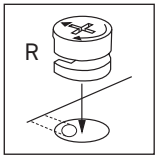
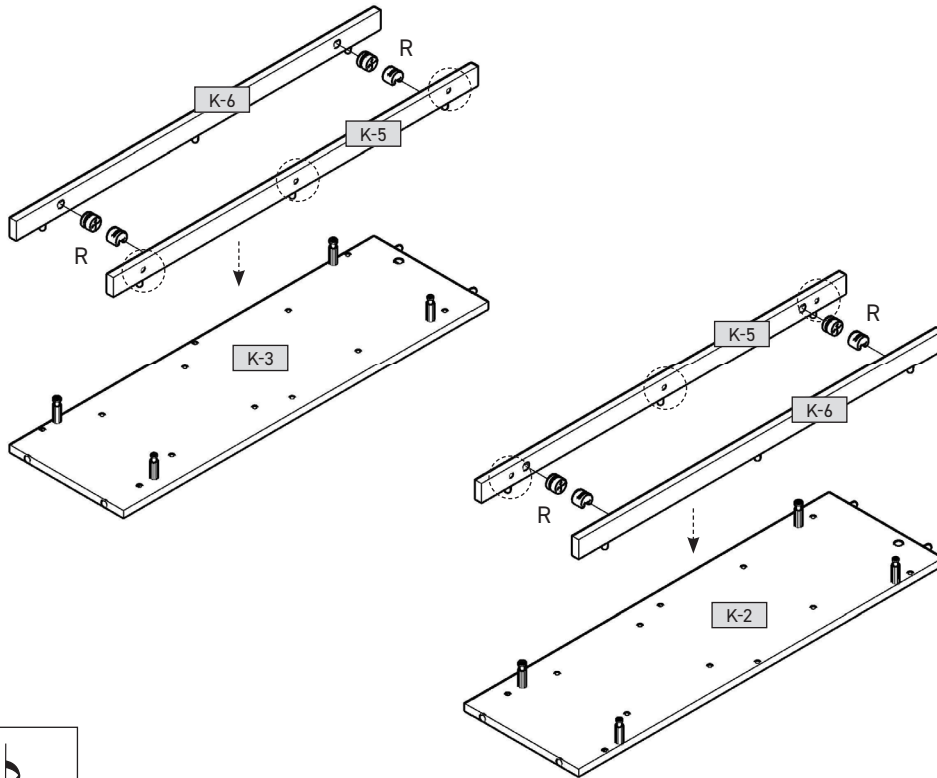
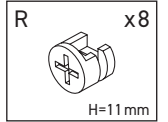
15



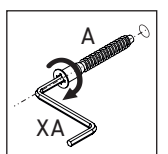
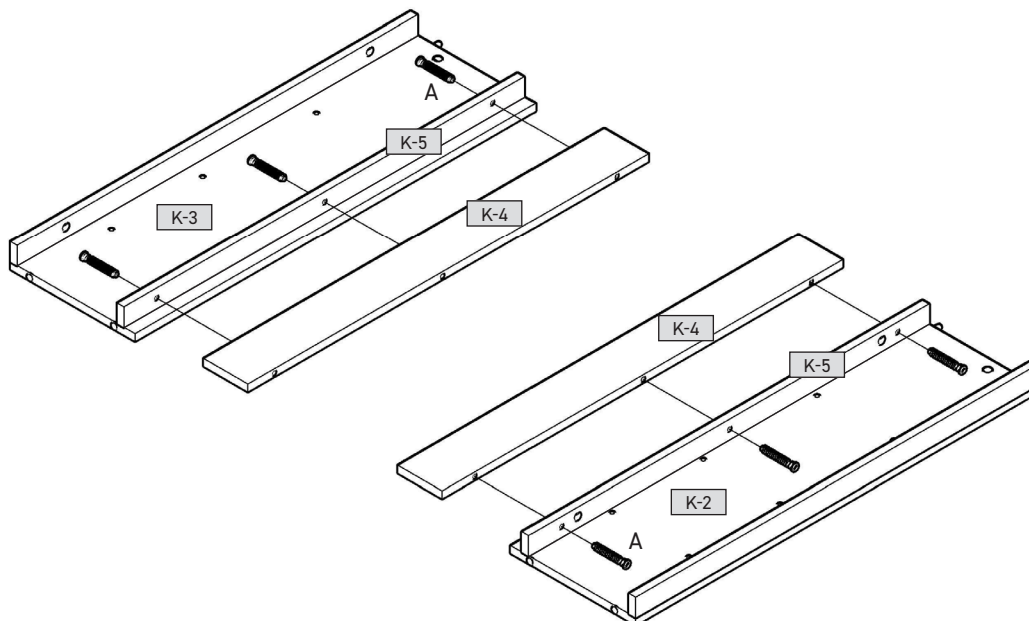
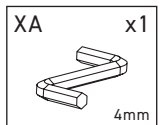
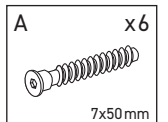
16

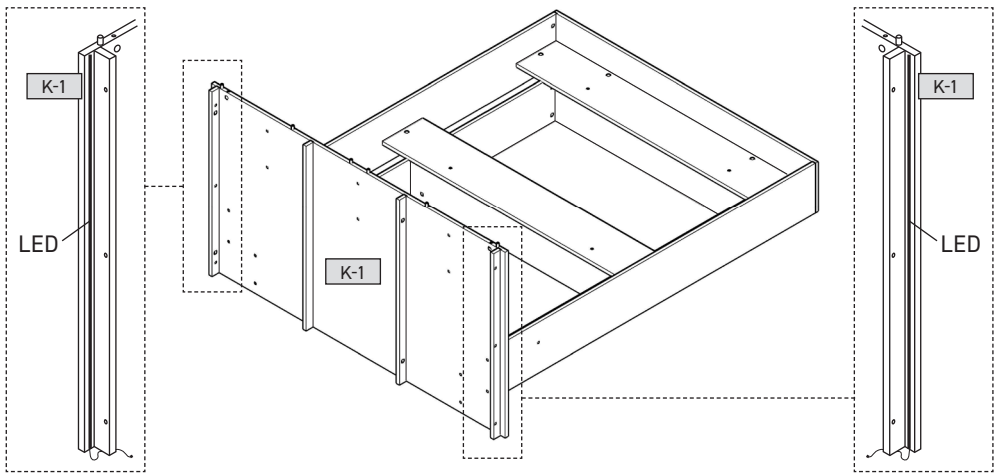


17

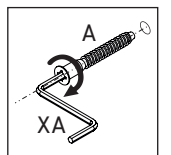
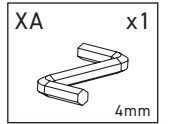
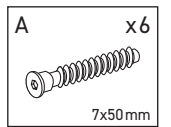
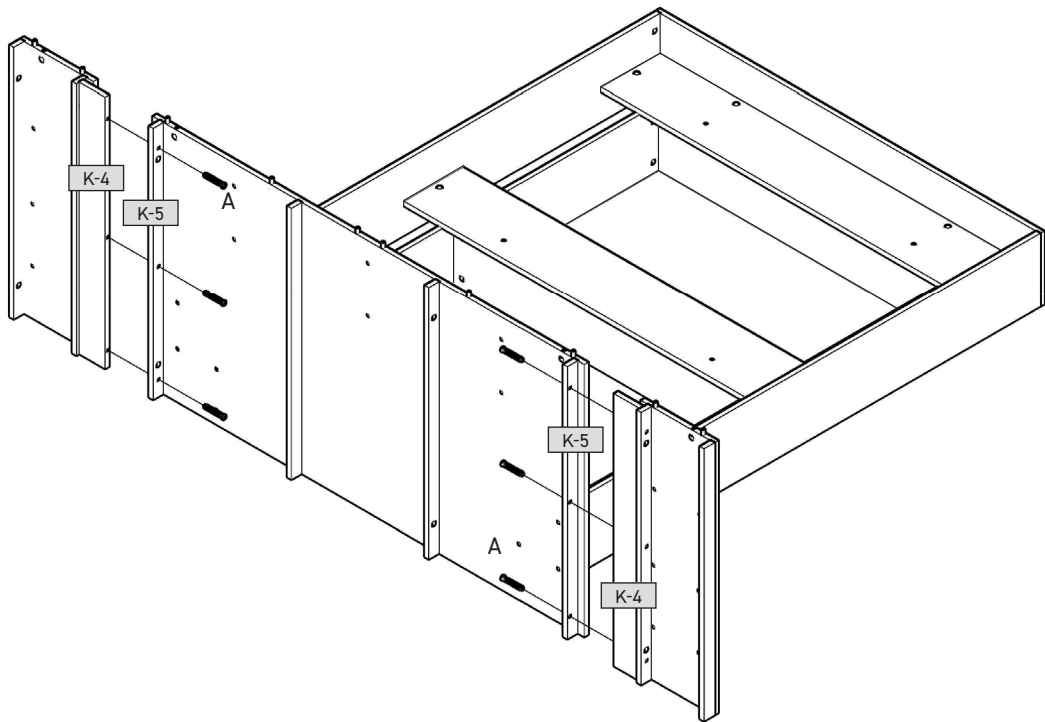


18

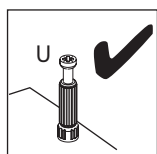
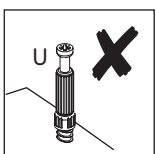
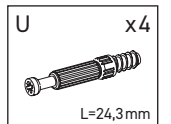
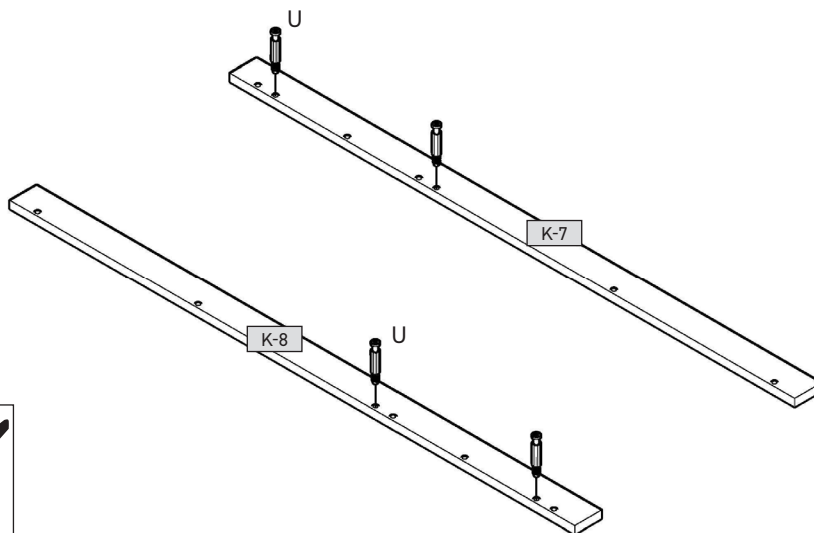




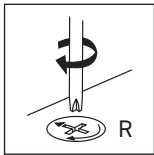
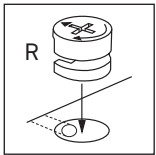
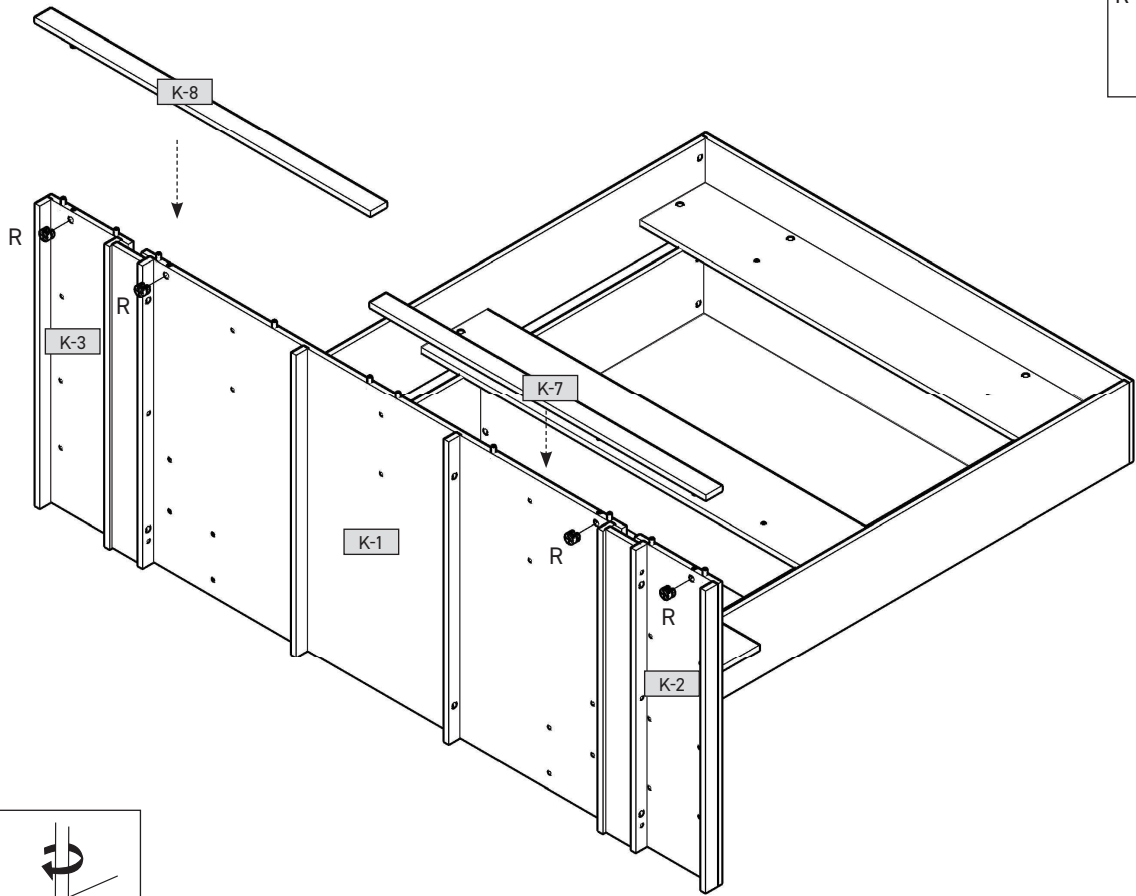
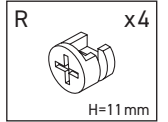
19



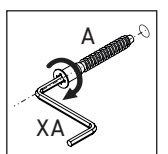
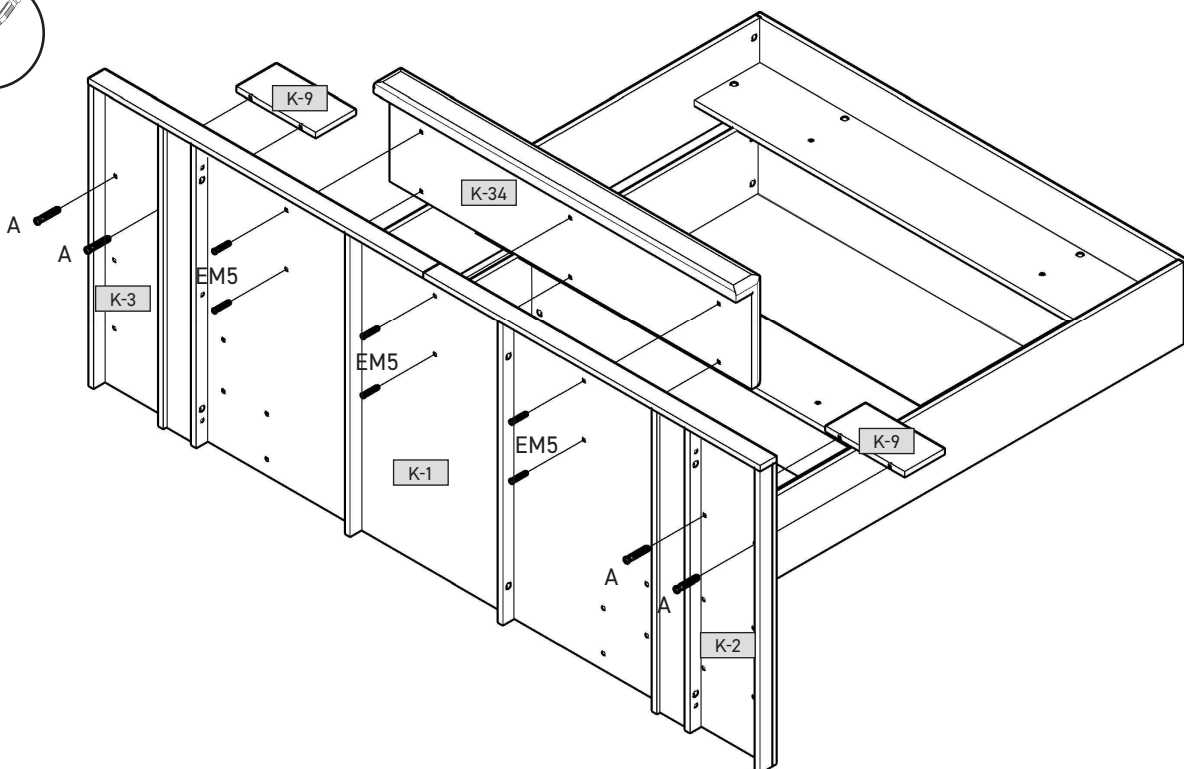
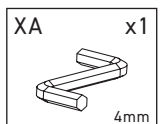
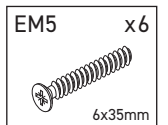
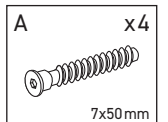
20



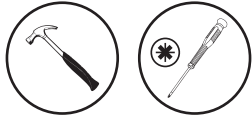
21



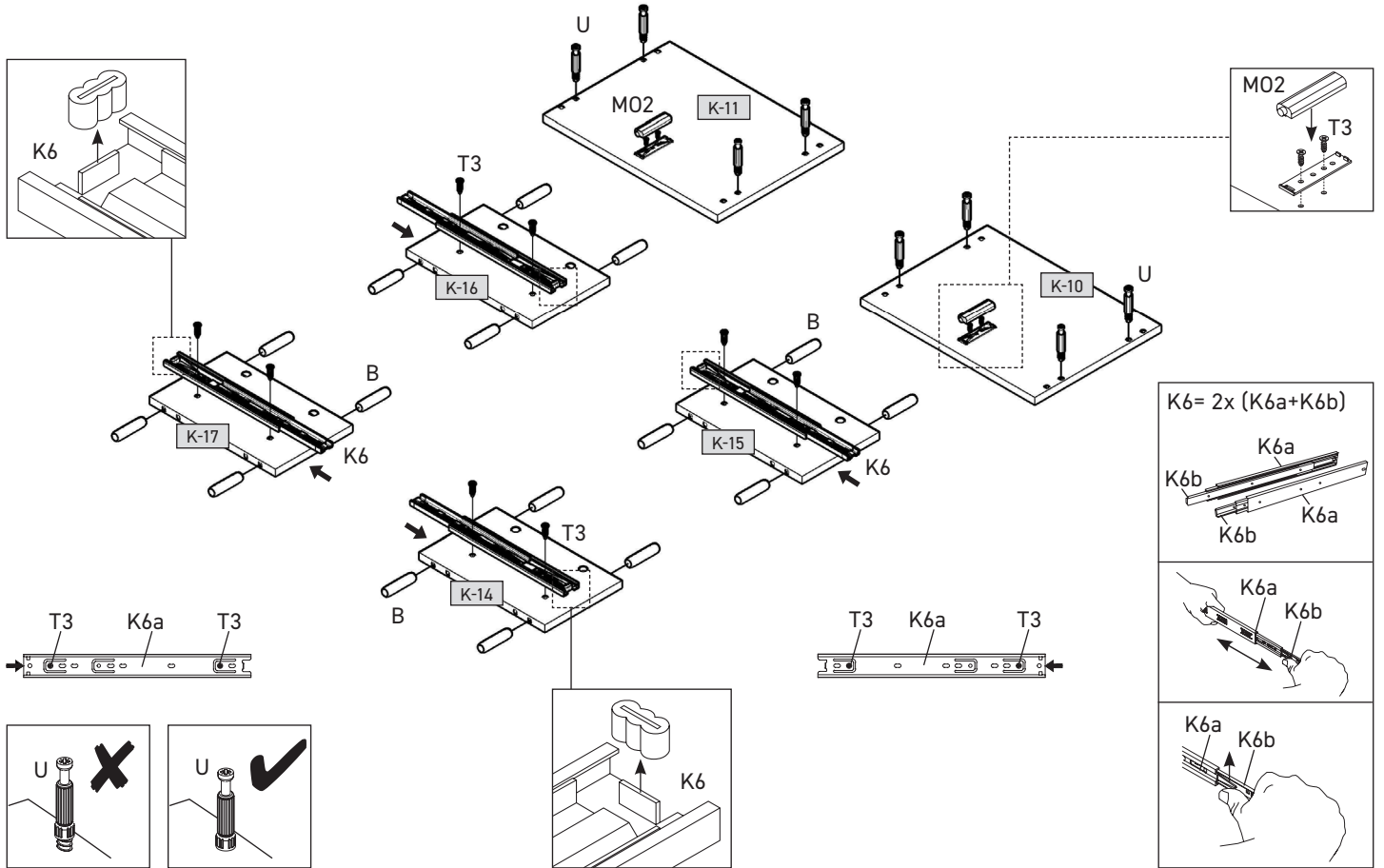
22



23



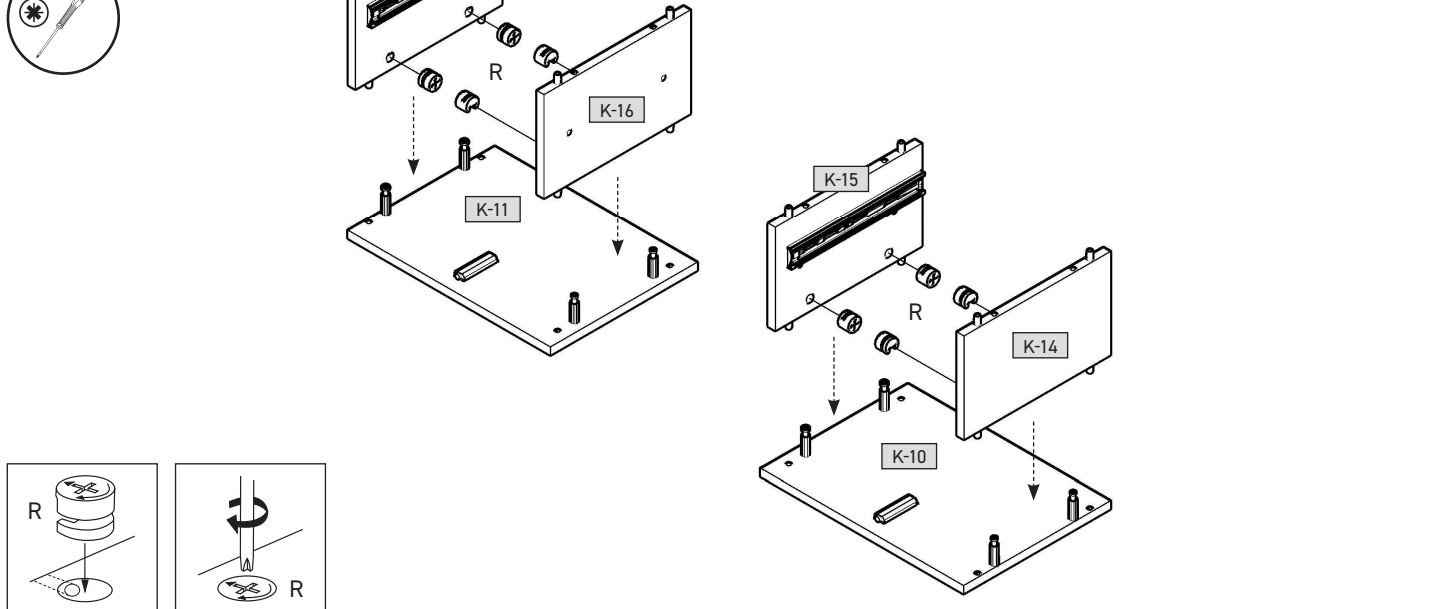
B x16 8x32mm	K6 x2 L=300mm	M02 x2	T3 x12 5x9mm	U x8 L=24,3mm
------------------------	-------------------------	---------------	------------------------	-------------------------



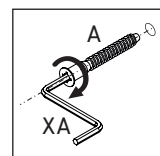
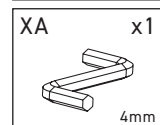
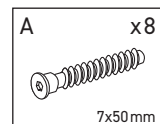
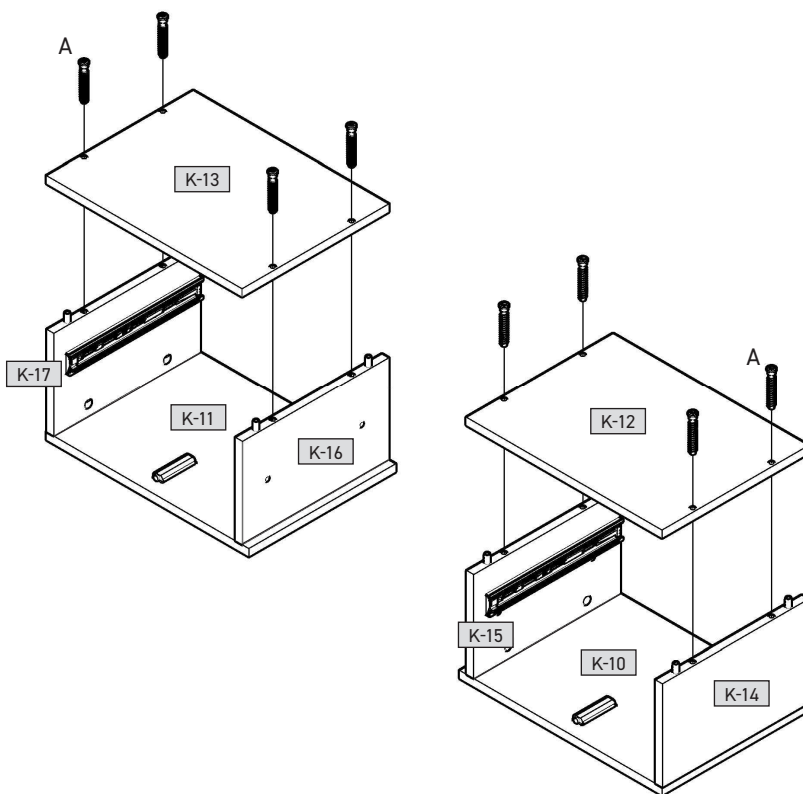
24



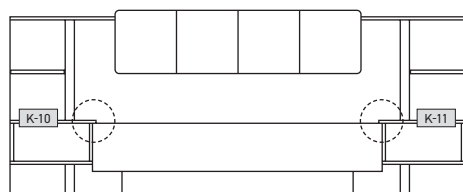
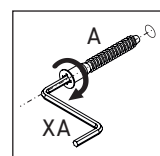
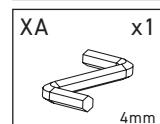
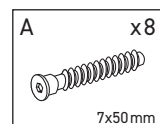
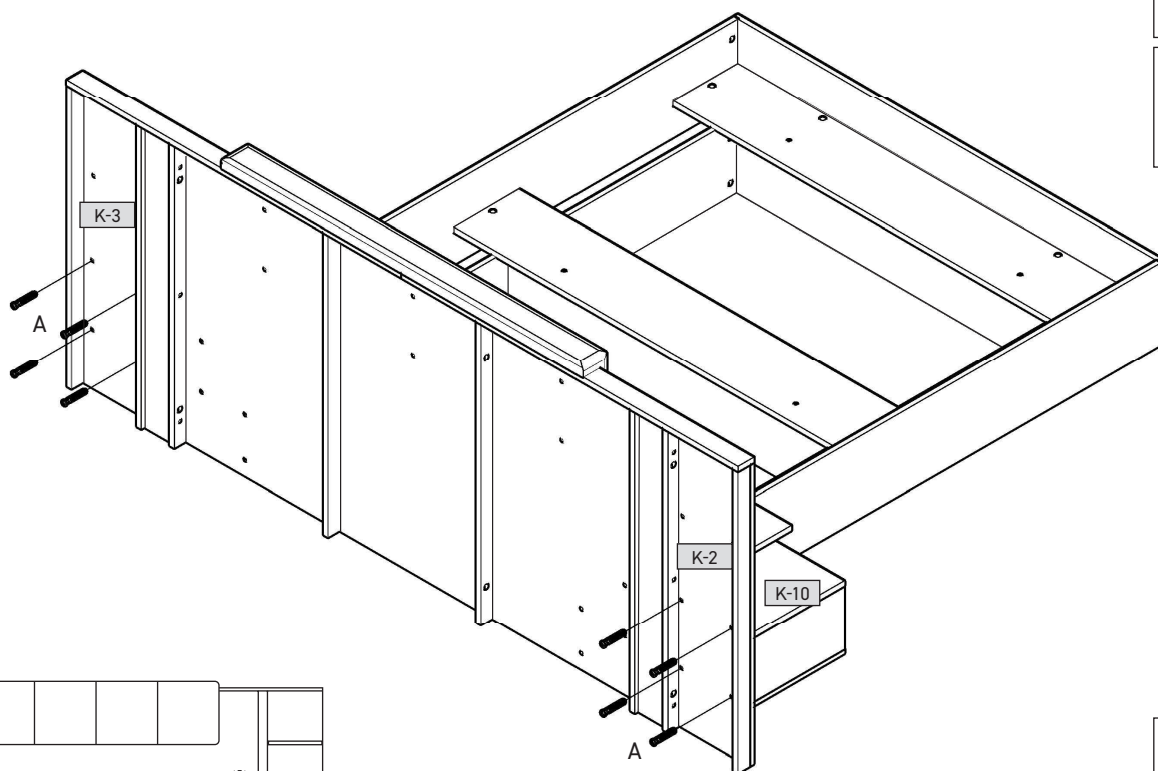
R x8 H=11mm



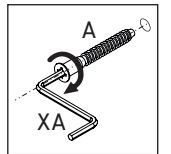
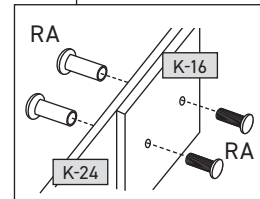
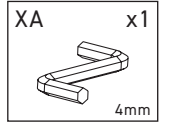
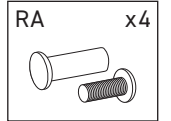
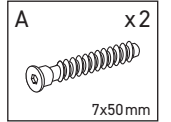
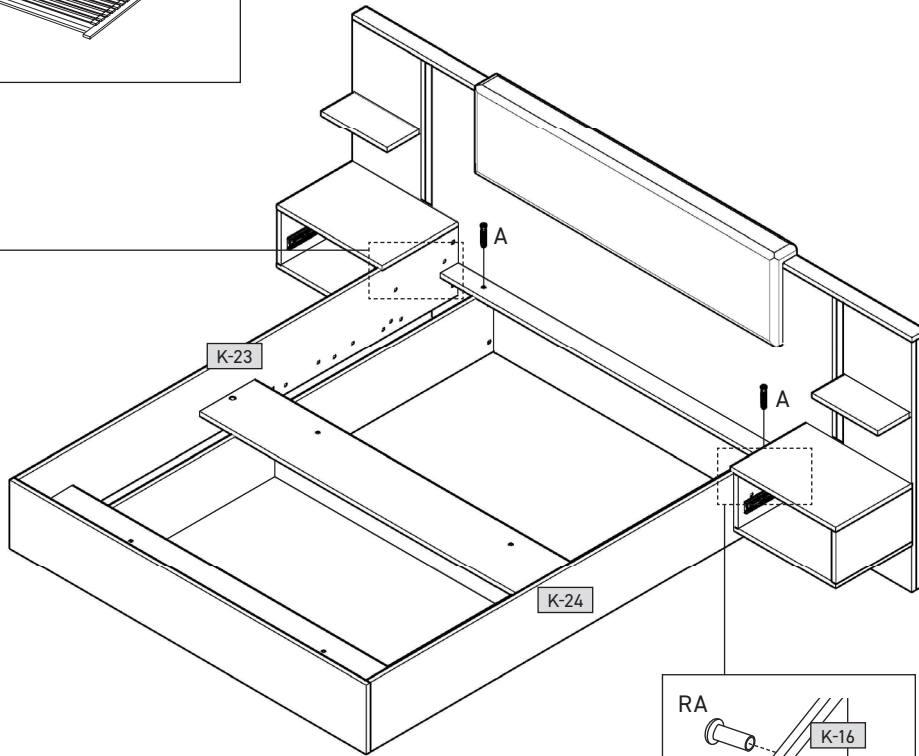
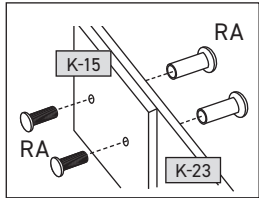
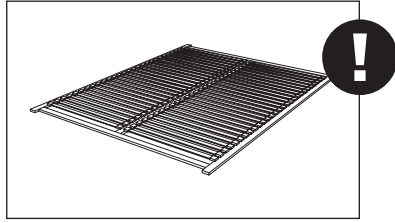
25



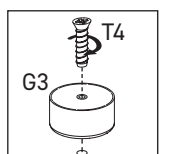
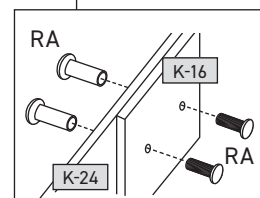
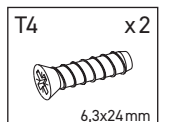
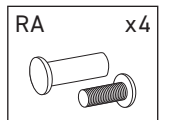
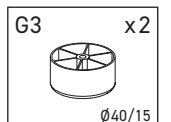
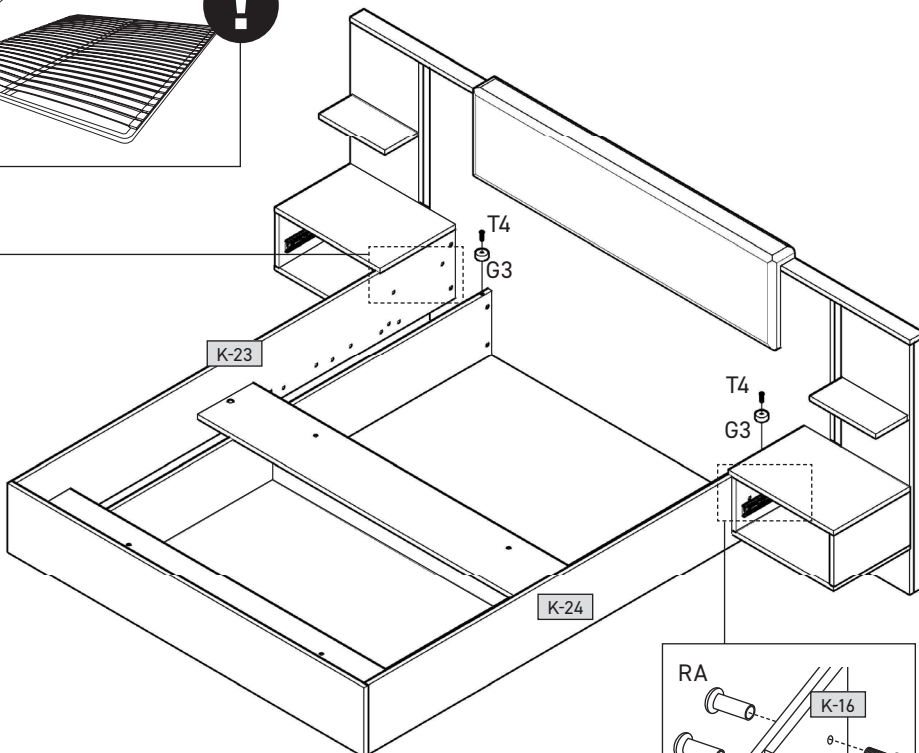
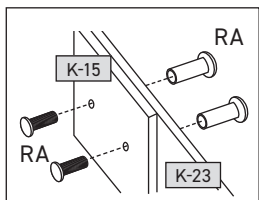
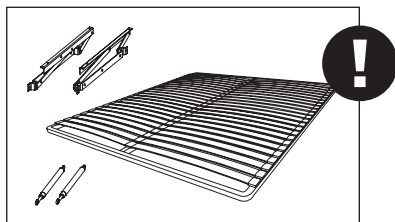
26



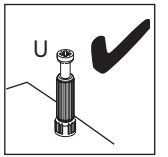
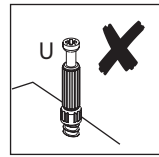
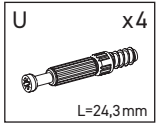
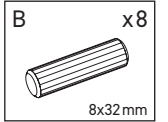
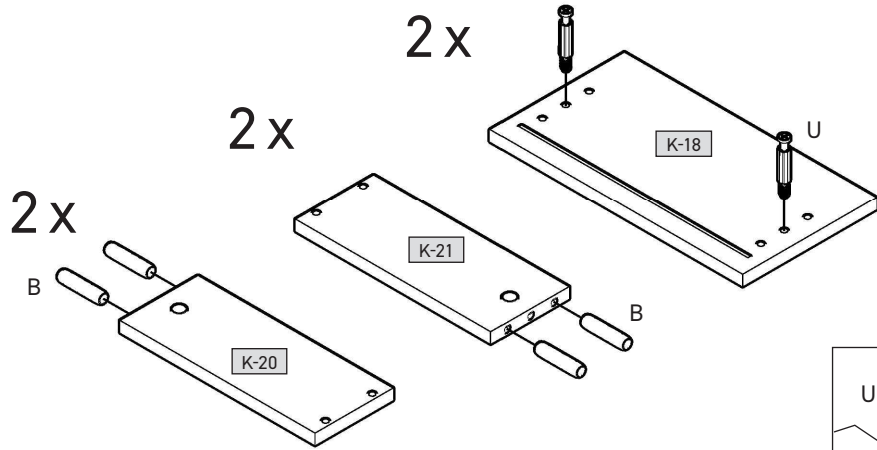
27



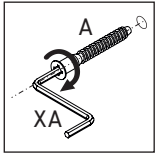
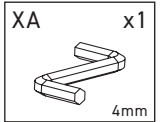
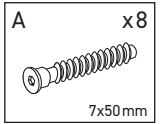
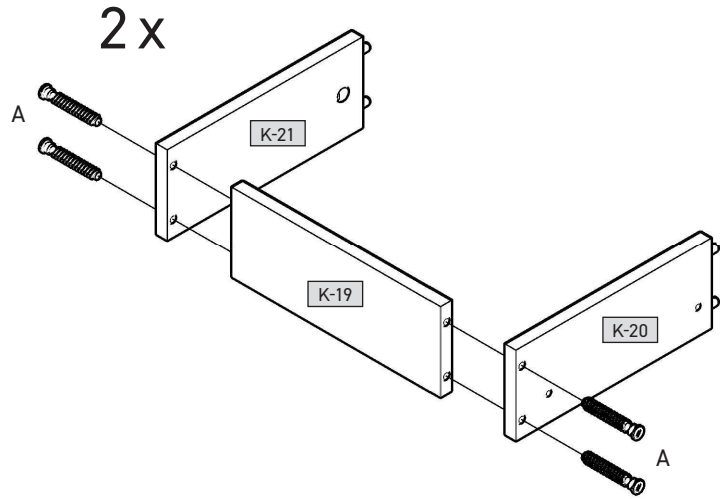
27



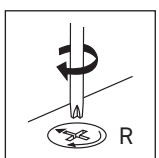
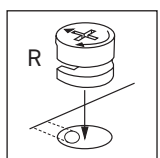
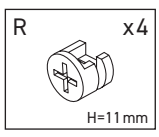
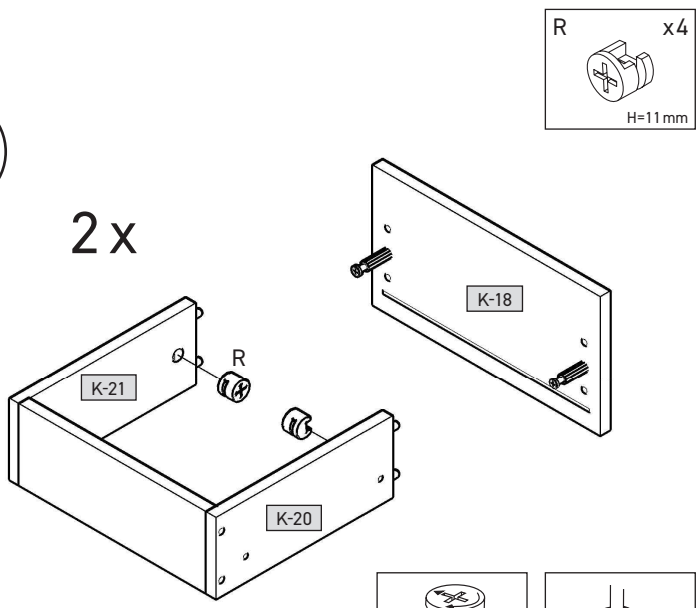
28



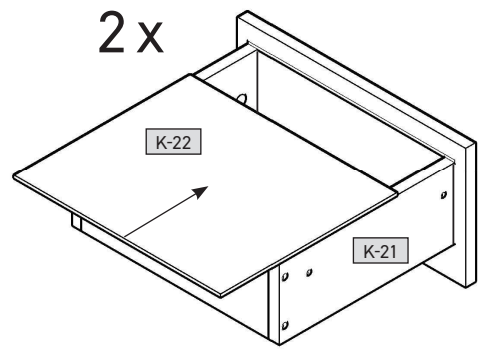
29



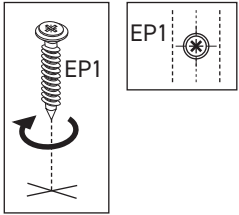
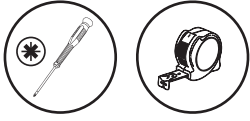
30



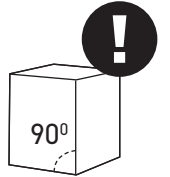
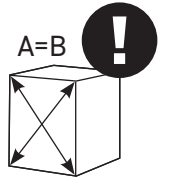
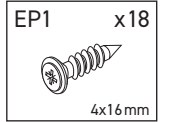
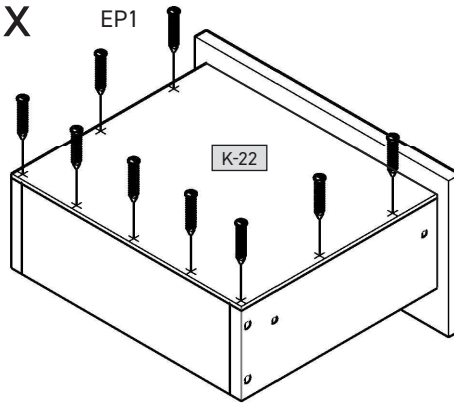
31



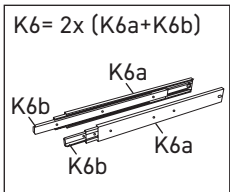
32



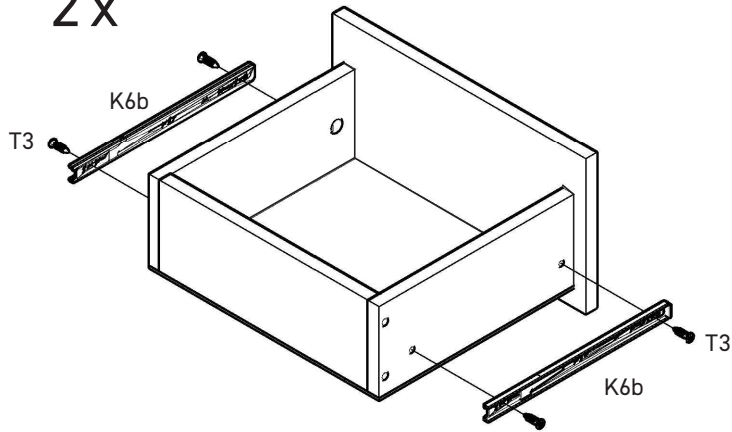
2 x



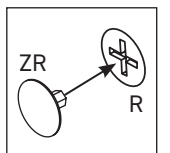
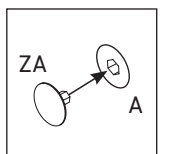
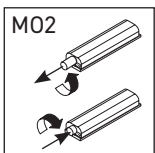
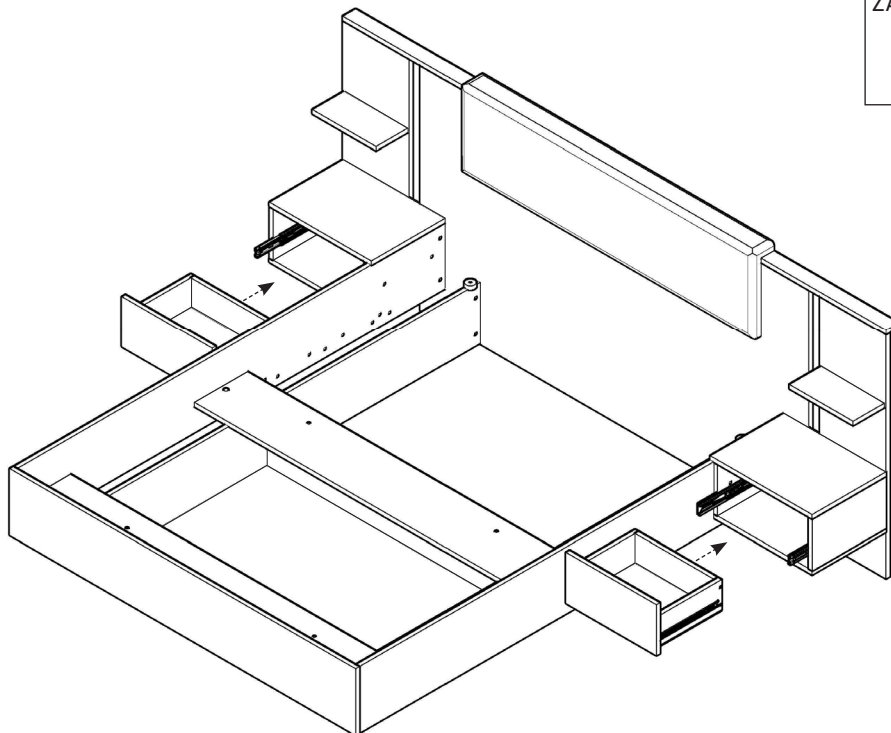
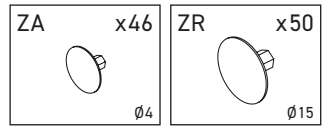
33



2 x

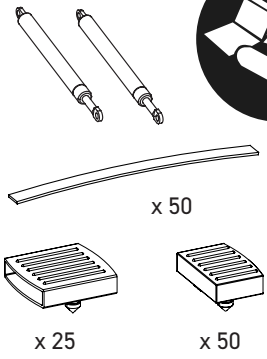
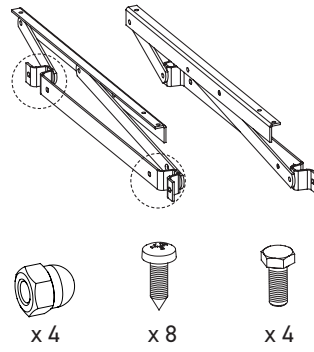
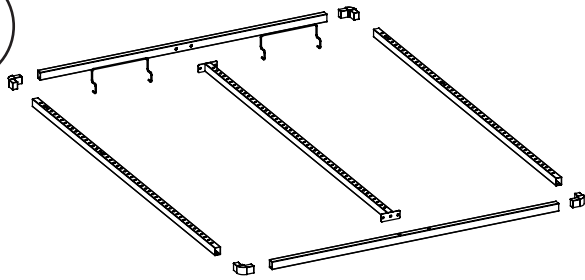


34

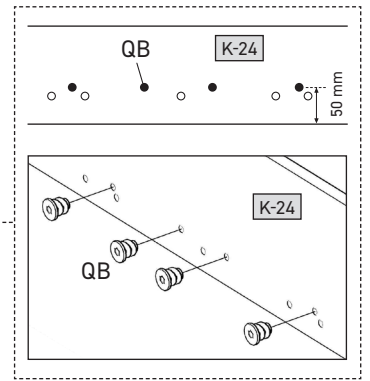
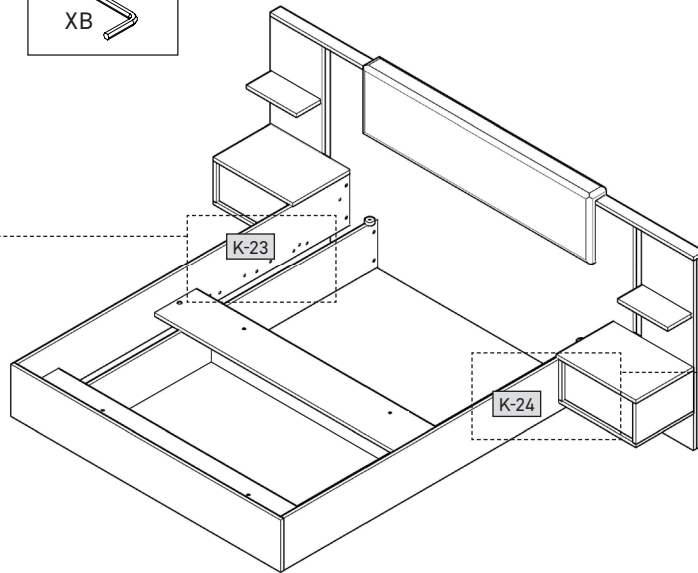
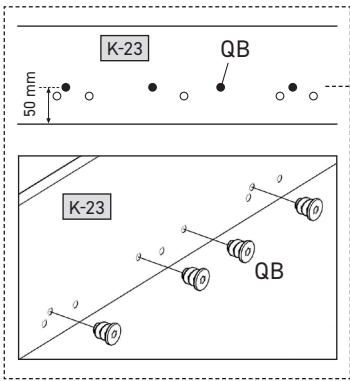
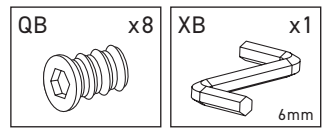
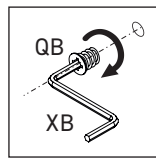


35

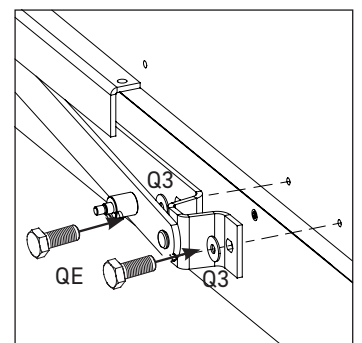
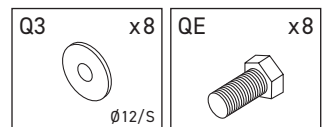
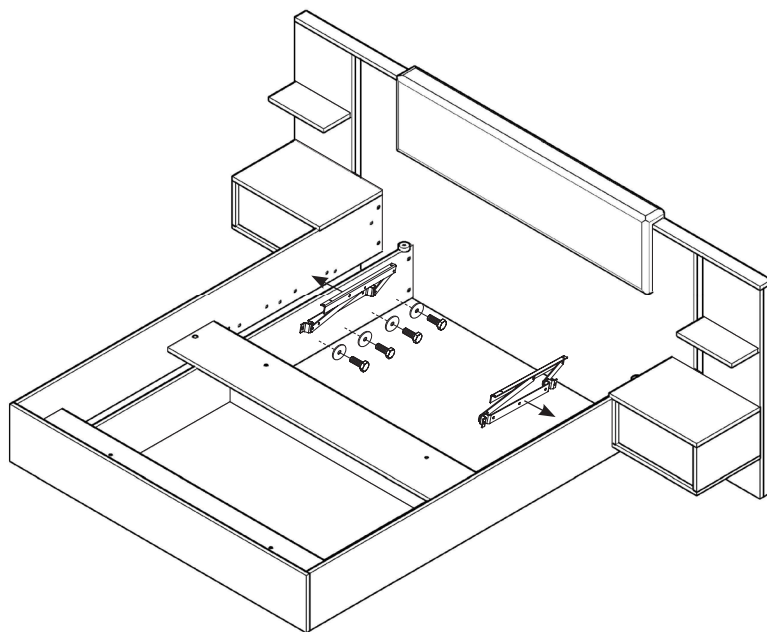
A



36

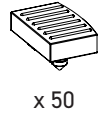
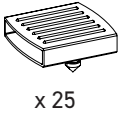
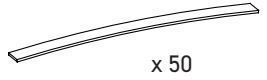
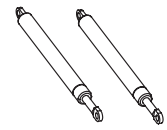
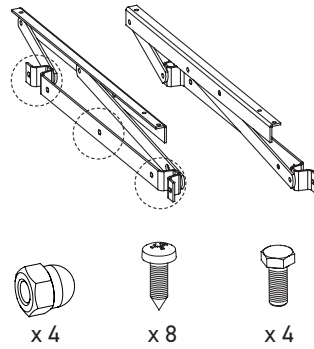
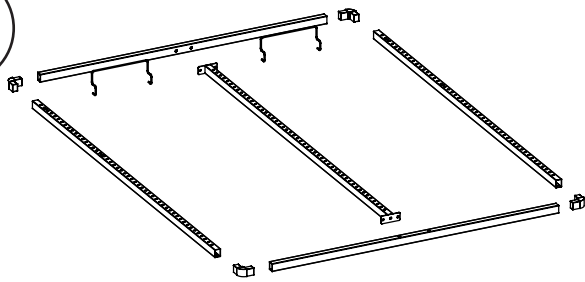


37

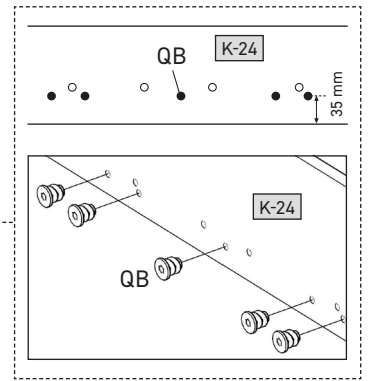
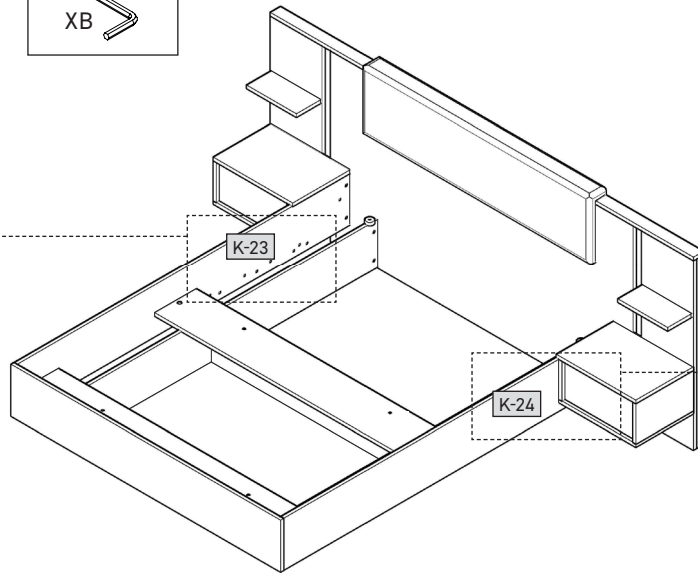
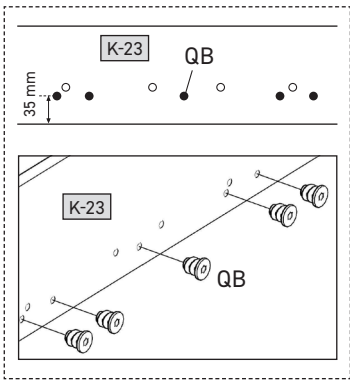
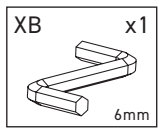
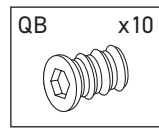
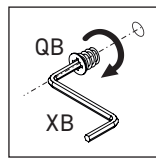


35

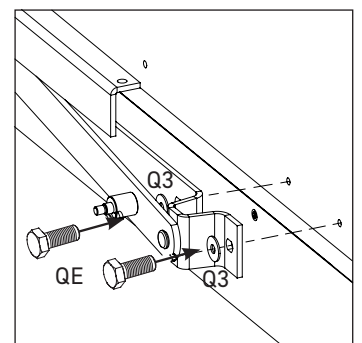
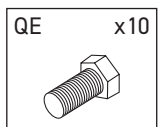
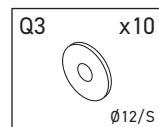
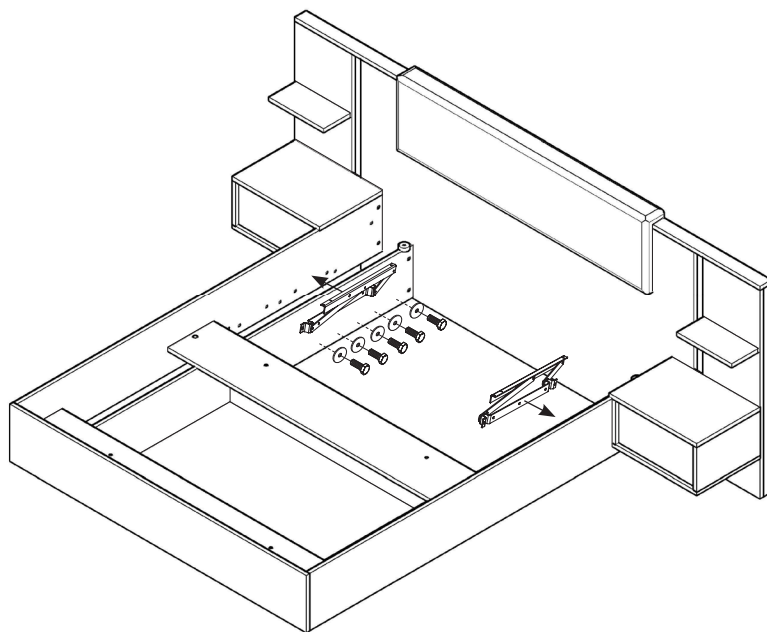
C

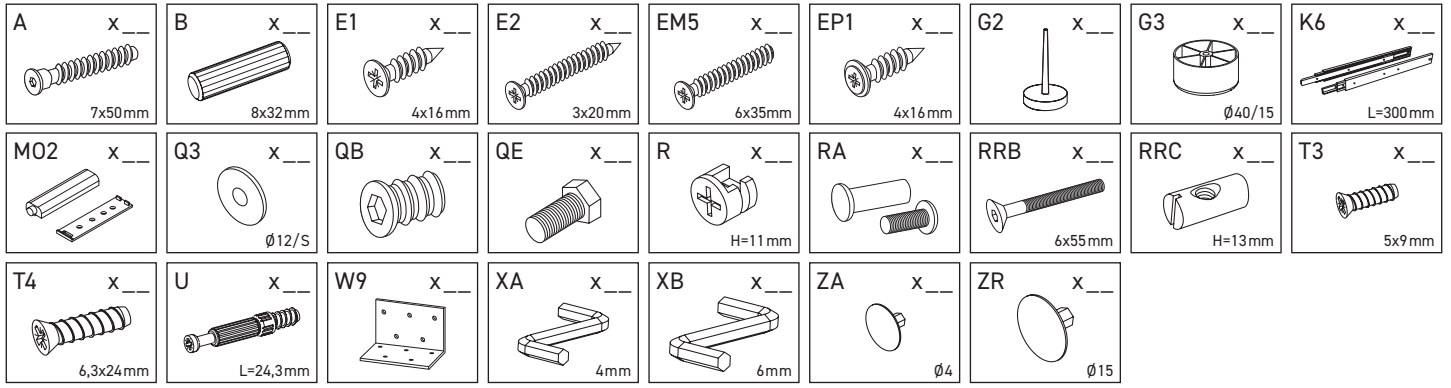


36



37





K-1	1832	1000	16	x 1	1/2
K-2	311	1000	16	x 1	1/2
K-3	311	1000	16	x 1	1/2
K-4	110	1000	16	x 2	1/2
K-5	1000	44	16	x 4	2/2
K-6	1000	44	16	x 4	2/2
K-7	1282	62	16	x 1	1/2
K-8	1282	62	16	x 1	1/2
K-9	300	150	16	x 2	1/2
K-10	480	348	16	x 1	1/2
K-11	480	348	16	x 1	1/2
K-12	464	348	16	x 1	1/2
K-13	464	348	16	x 1	1/2
K-14	212	347	16	x 1	2/2
K-15	212	347	16	x 1	2/2
K-16	212	347	16	x 1	2/2
K-17	212	347	16	x 1	2/2
K-18	426	206	16	x 2	2/2
K-19	376	120	16	x 2	1/2
K-20	300	120	16	x 2	2/2
K-21	300	120	16	x 2	2/2
K-22	406	306	3	x 2	1/2
K-23	2022	270	16	x 1	2/2
K-24	2022	270	16	x 1	2/2
K-25	1633	271	16	x 1	1/2
K-26	1600	250	16	x 1	2/2
K-27	1600	250	16	x 1	2/2
K-28	1600	80	16	x 1	2/2
K-29	1850	250	16	x 1	2/2
K-30	1850	250	16	x 1	2/2
K-31	1301	250	16	x 1	1/2
K-32	1268	250	16	x 1	1/2
K-33	1296	1002	3	x 1	1/2
K-34	1370	315	90	x 1	2/2

