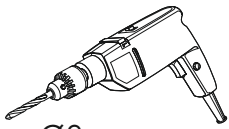
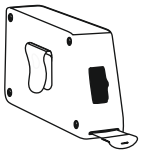
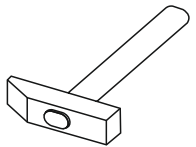
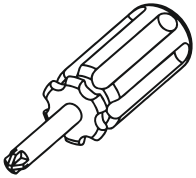
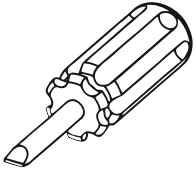
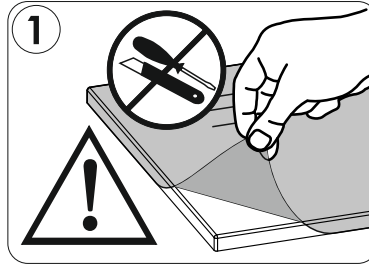
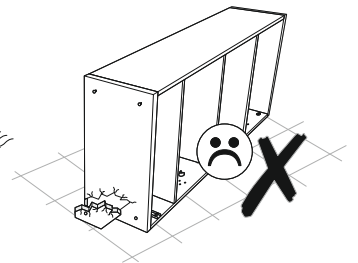
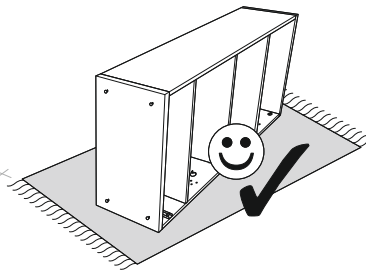
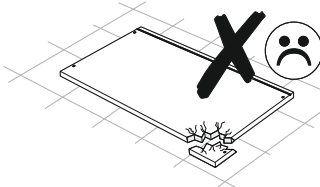
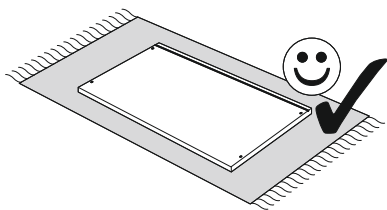
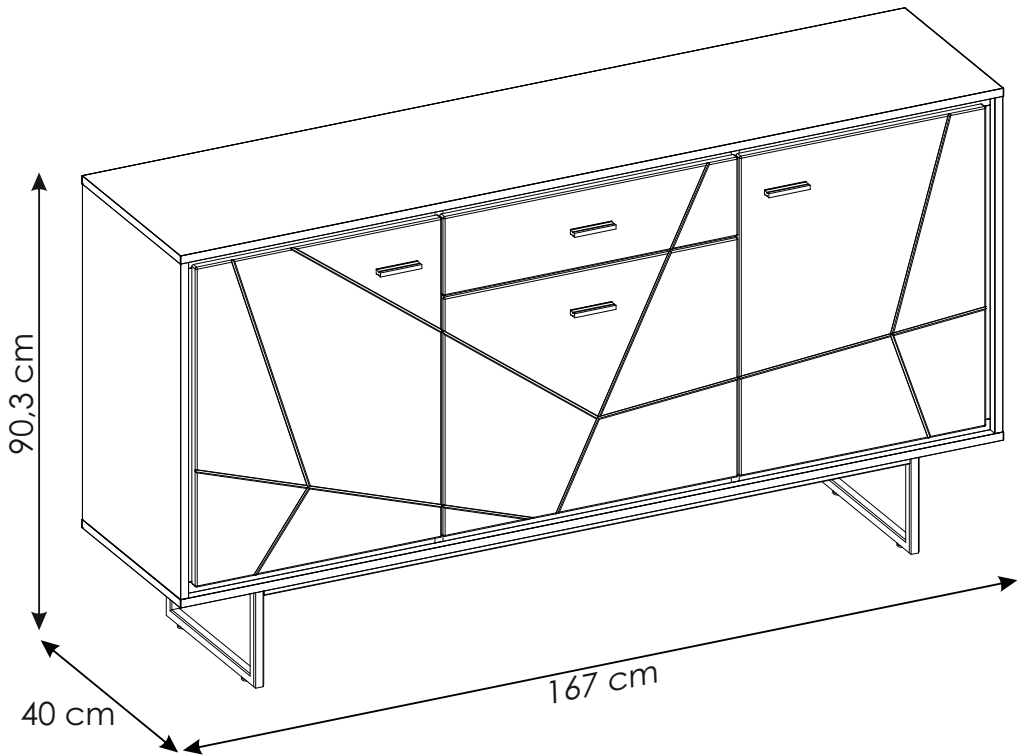
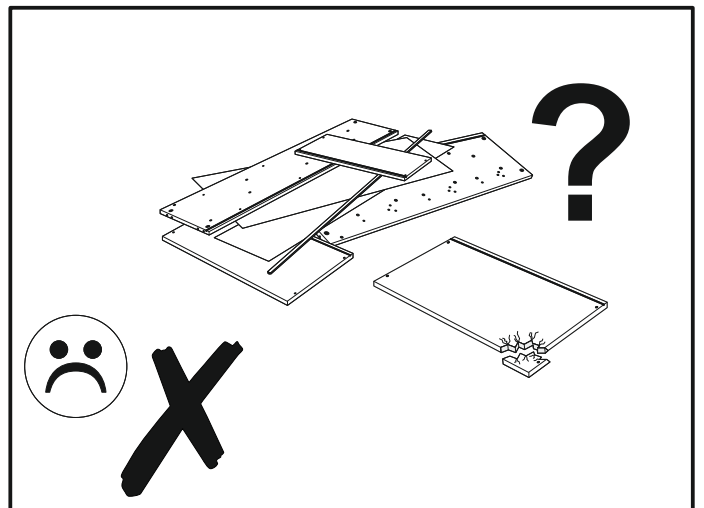
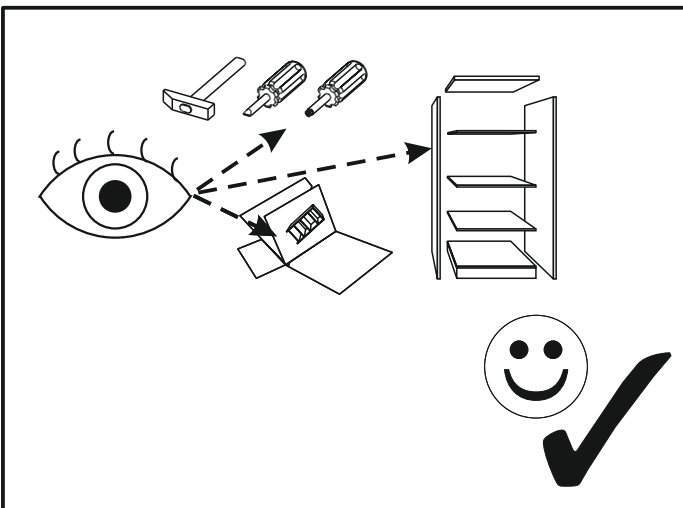
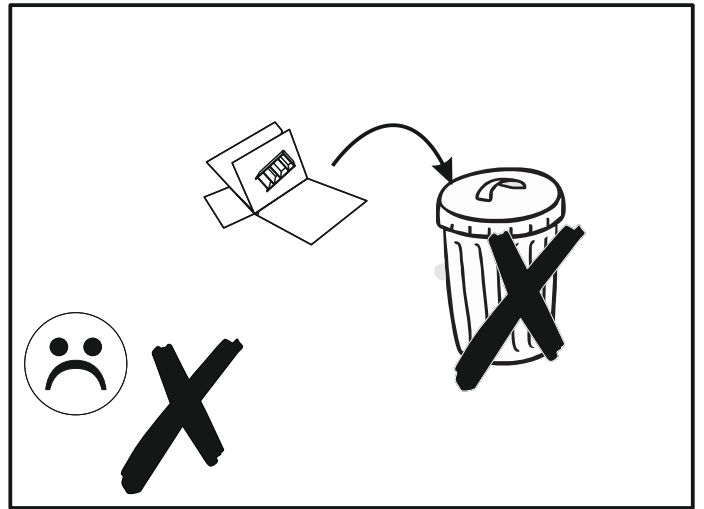
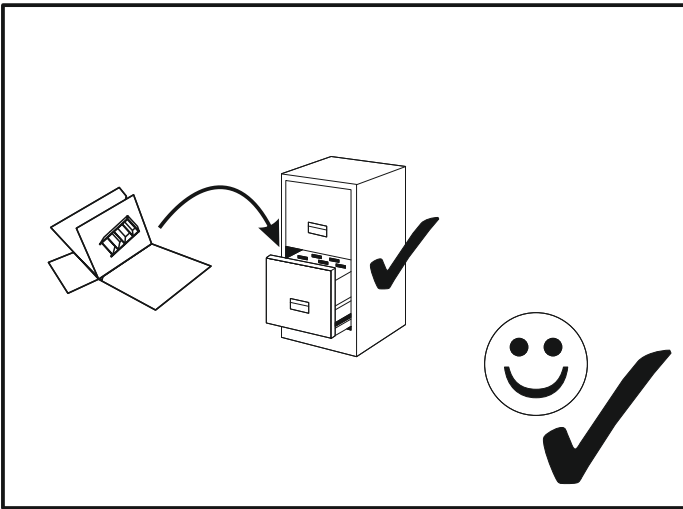
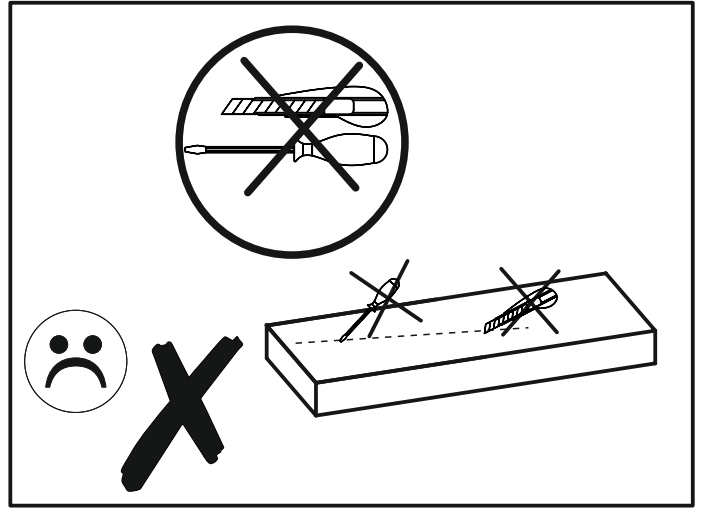
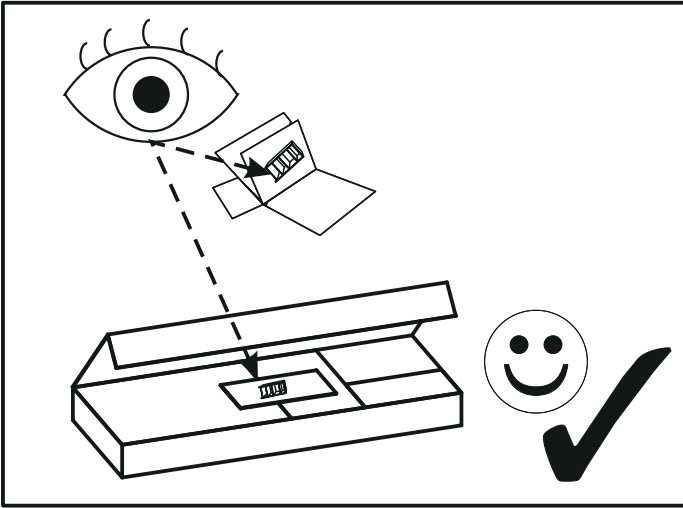


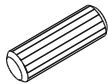









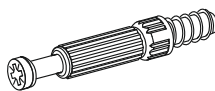
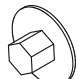



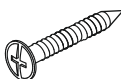

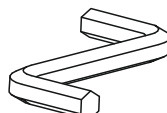
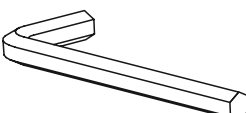
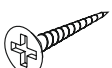
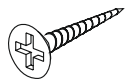
70 MIN

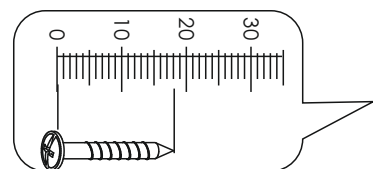
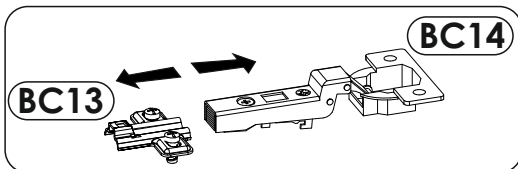
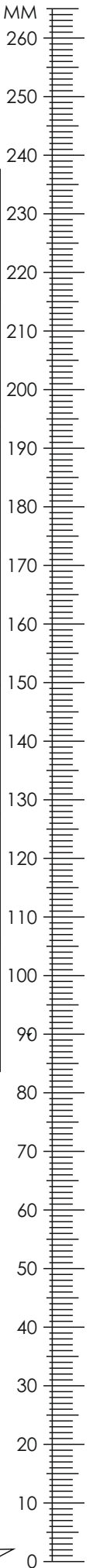


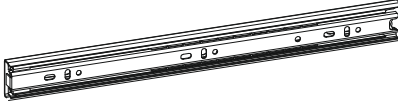
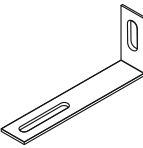
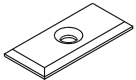
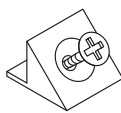

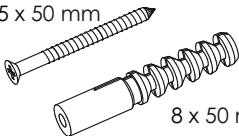
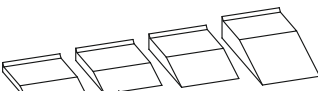
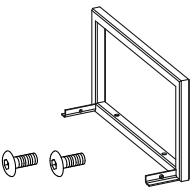
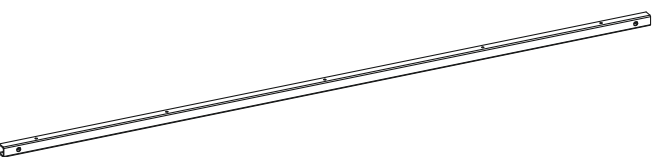
Ø8

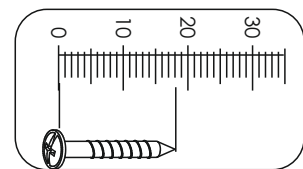
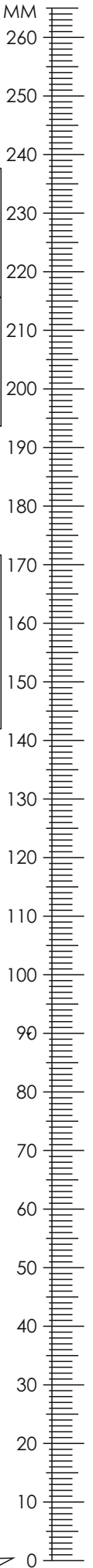


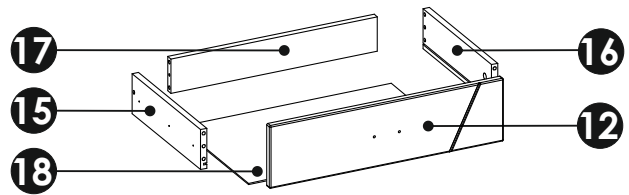
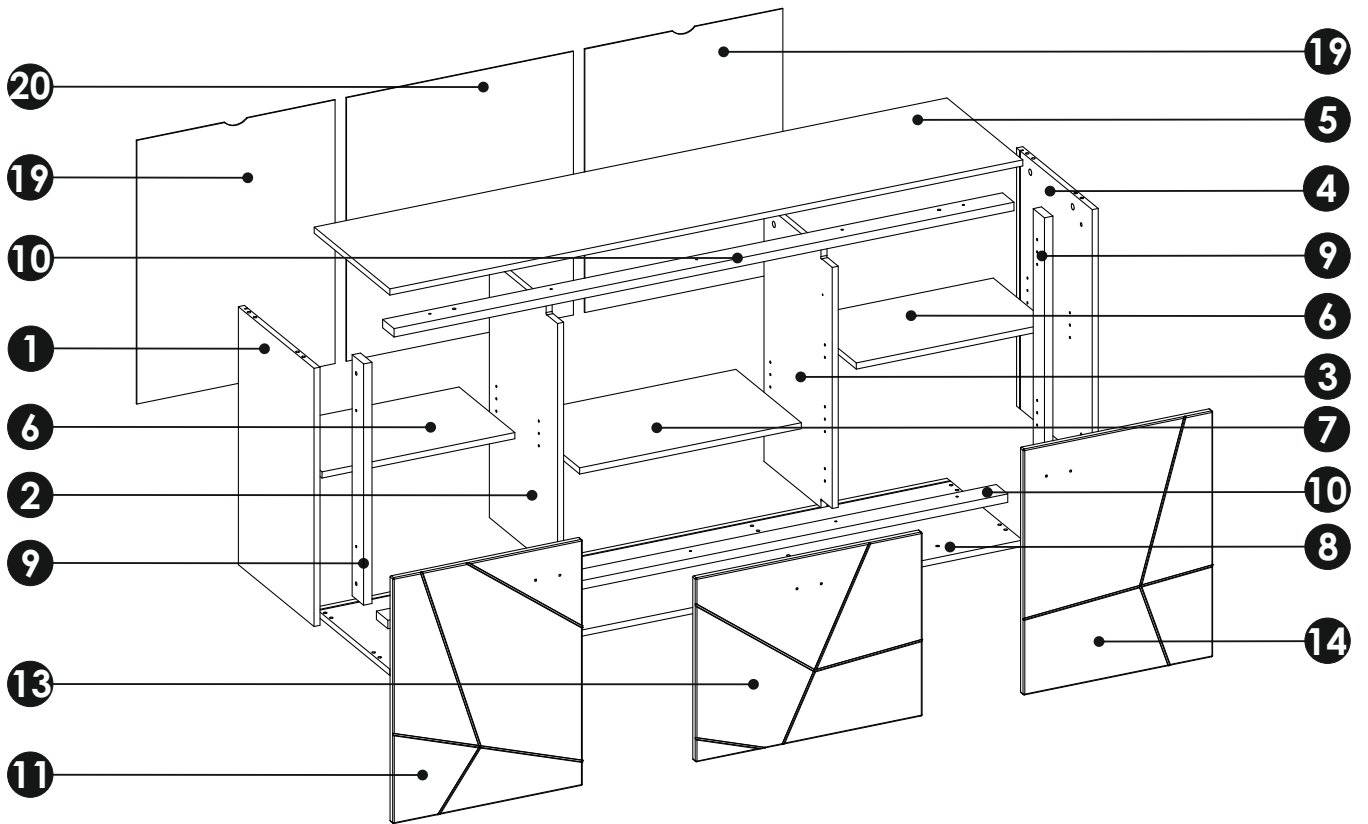
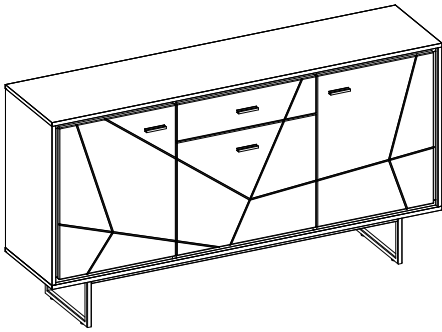


A0 8 x 24 mm x8 	A1 8 x 35 mm x24 	BC13 + BC14 x6 
C1 4 x 13 mm x12 	C2 5 x 13 mm x4 	D2 x12 
E1 15 x 12 mm x10 	E5a 20 mm x4 	E5b 20 mm x6 
E6 14 mm x16 	F1 6 x 34 mm x10 	G0 x8 
G1 7 x 50 mm x10 	H1 L - 84 x4 	I2 4 x 16 mm x2 
I5 3,5 x 27 mm x8 	I7 4 x 35mm x14 	M x1 
M1 x1 	N1 3 X 16 mm x15 	N2 3,5 X 16 mm x20 



PW L - 350 x2 	Q9 x2 	R1 x8 
R4 x13 	R11 20 mm x4 	S13 5 x 50 mm x2 
Z x1 		
V1 x2 	V2 x2 	

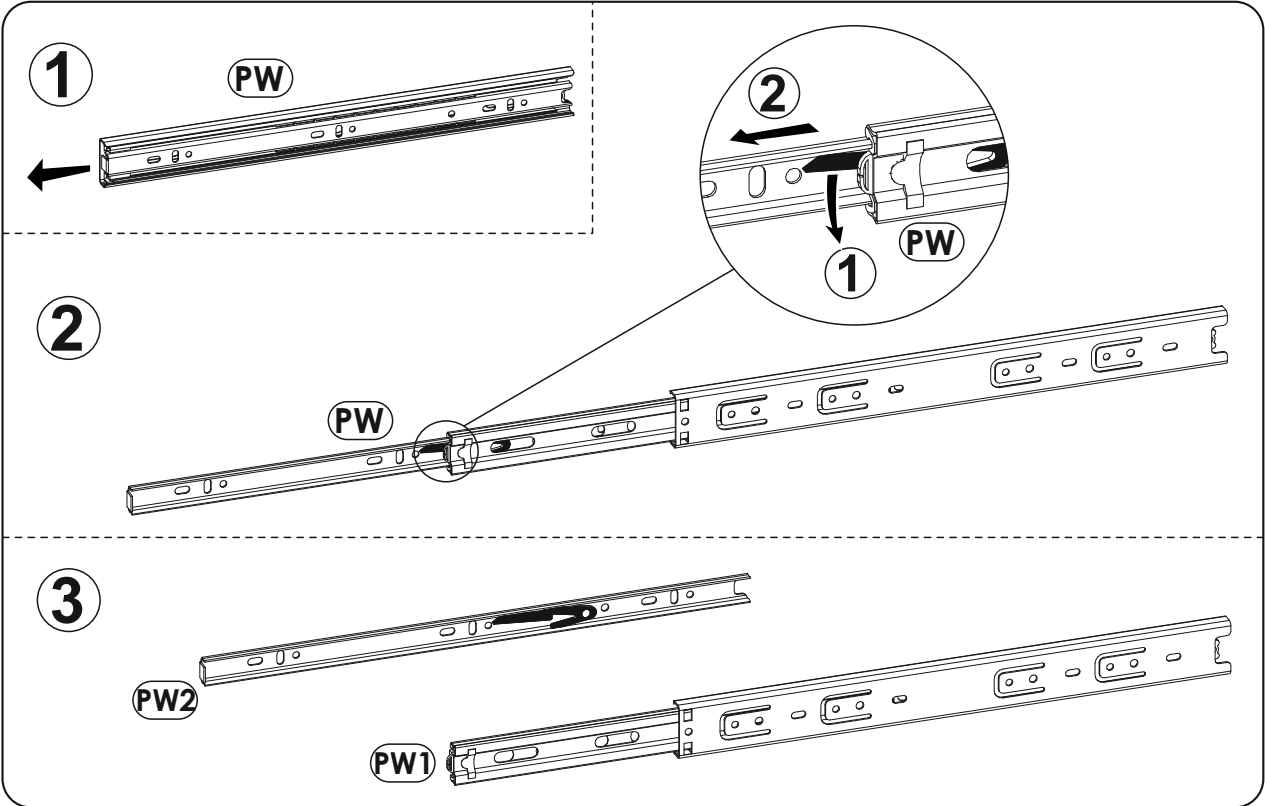
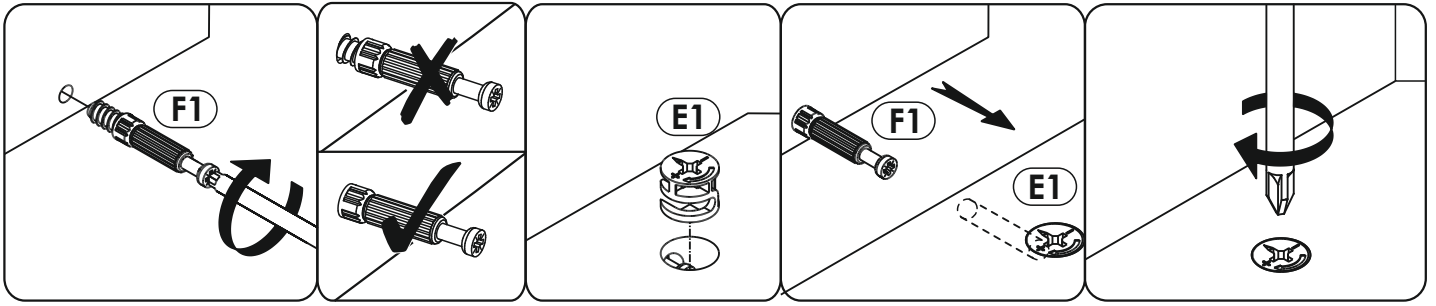




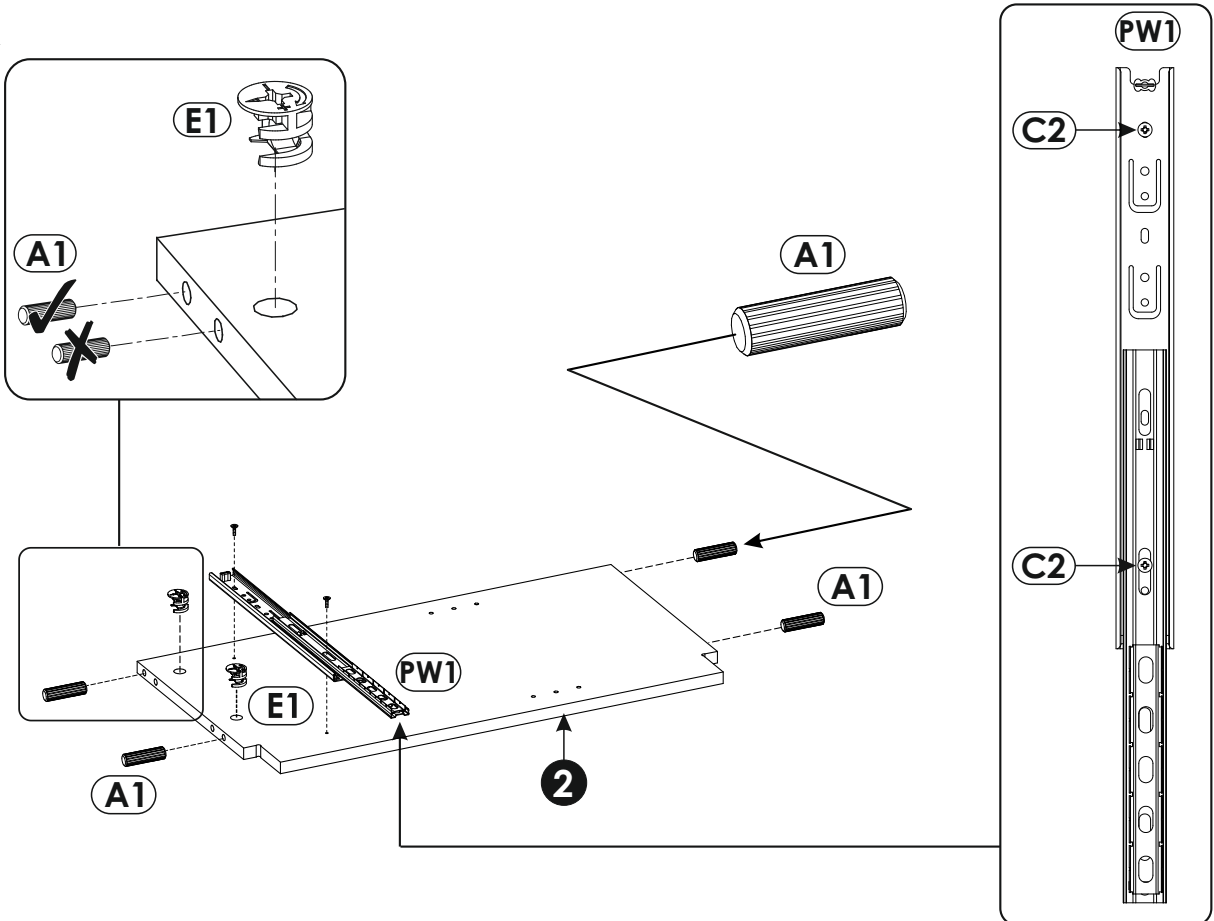
1	668	399	16 x 1	1/2
2	668	360	16 x 1	2/2
3	668	360	16 x 1	2/2
4	668	399	16 x 1	1/2
5	1670	400	16 x 1	2/2
6	509	295	16 x 2	1/2
7	585	345	16 x 1	1/2

8	1670	400	16 x 1	2/2
9	624	60	22 x 2	2/2
10	1636	60	22 x 2	2/2
11	636	500	16 x 1	1/2
12	598	157	16 x 1	1/2
13	598	476	16 x 1	1/2
14	636	500	16 x 1	1/2

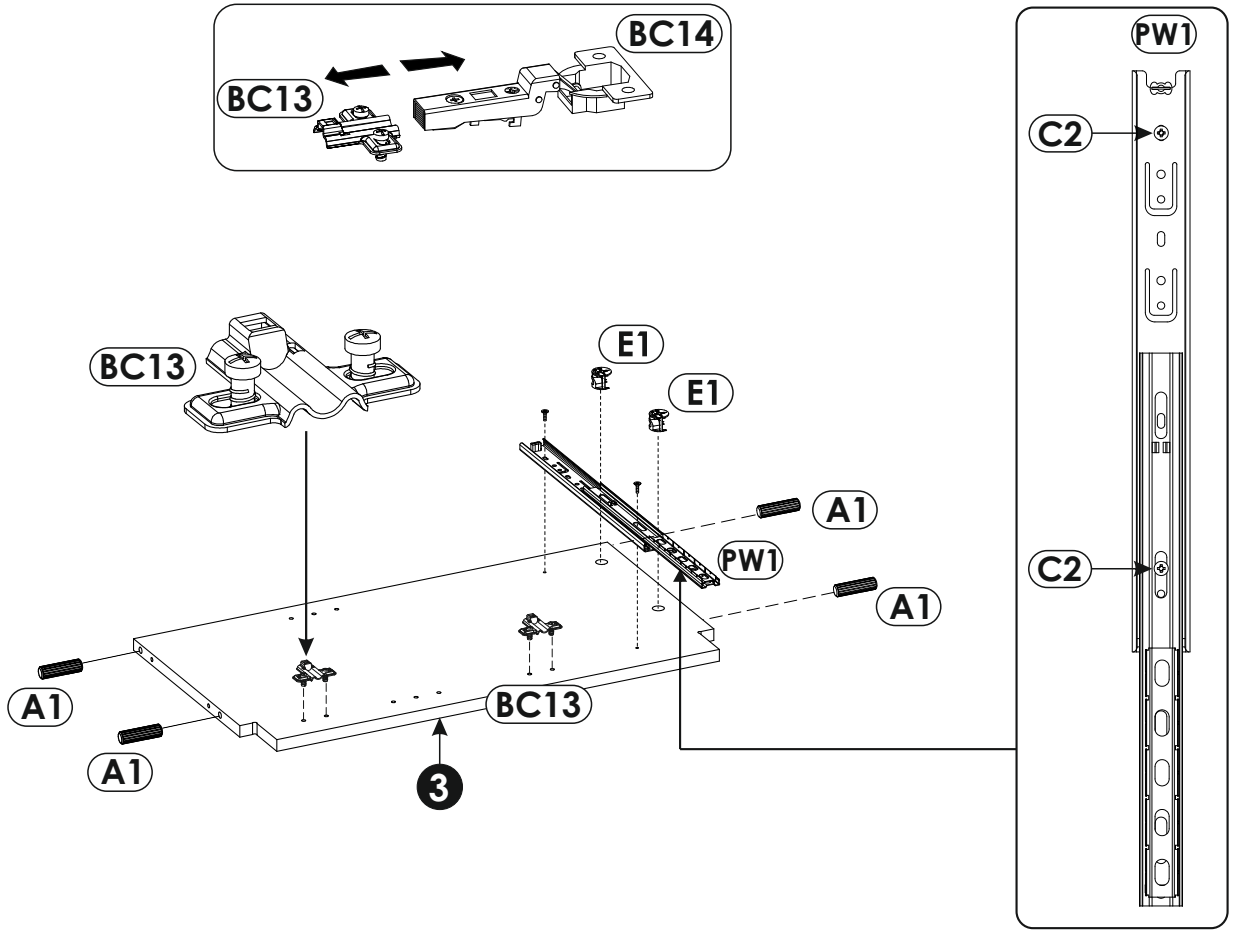
15	350	100	16 x 1	2/2
16	350	100	16 x 1	2/2
17	528	86	16 x 1	2/2
18	542	355	3 x 1	1/2
19	682	525	3 x 2	1/2
20	682	600	3 x 1	1/2



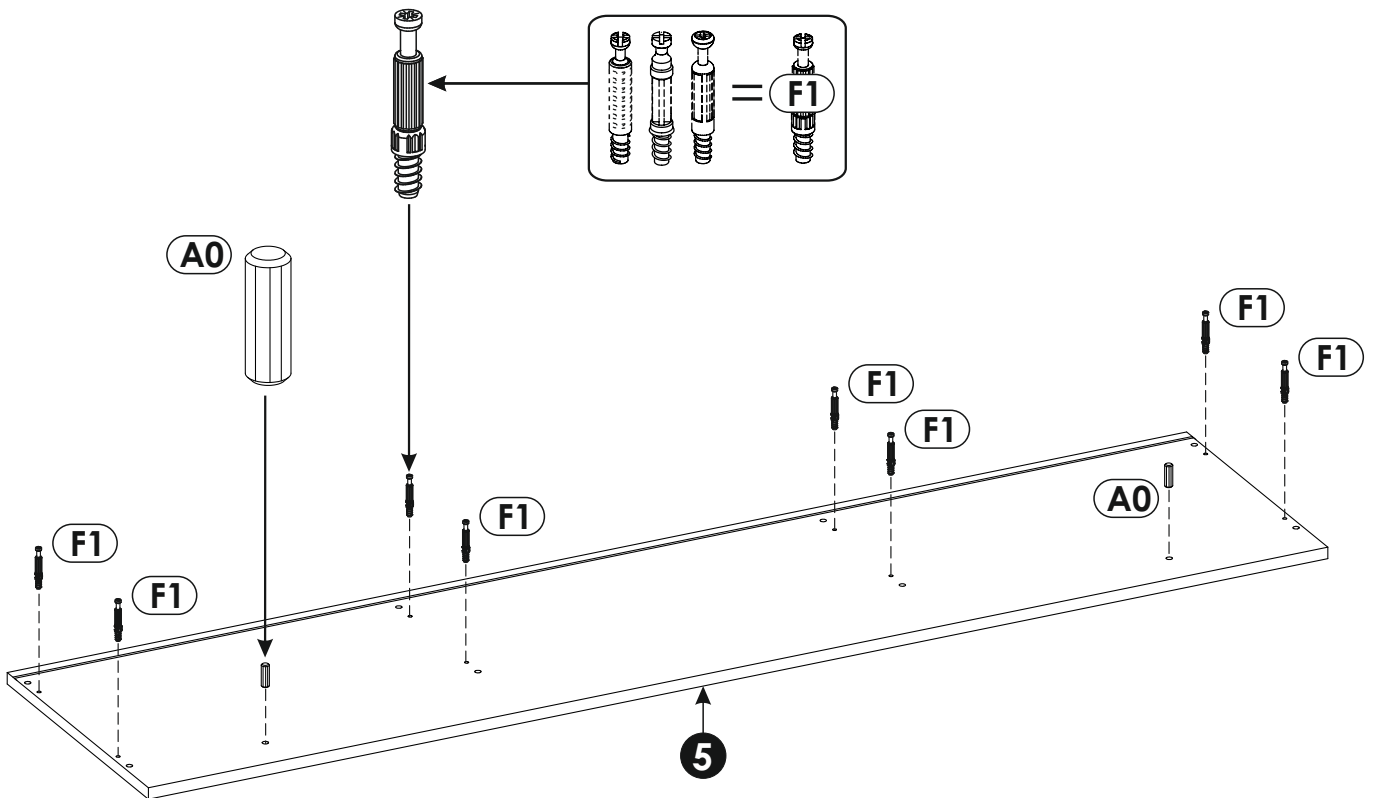
1 ▶



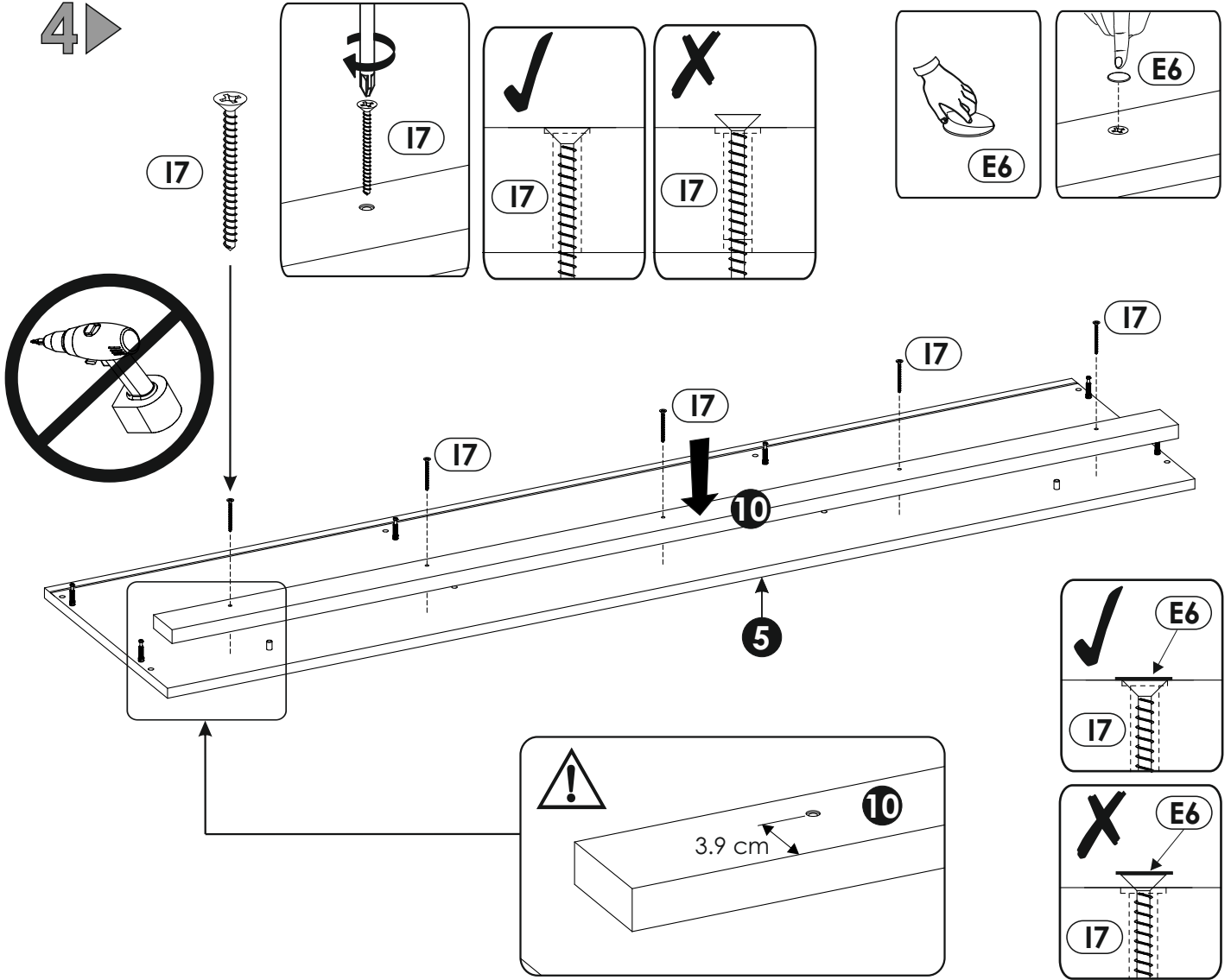
2 ▶



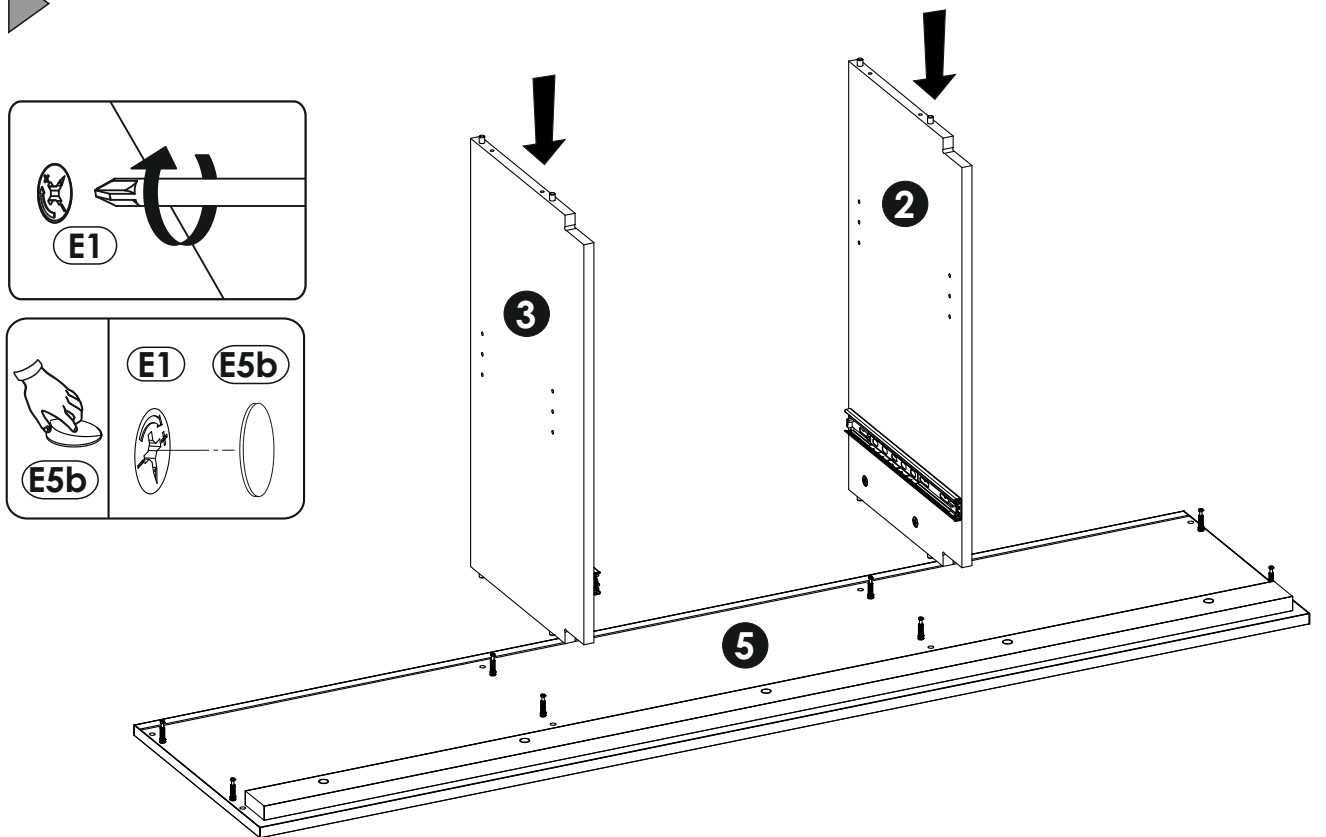
3 ▶



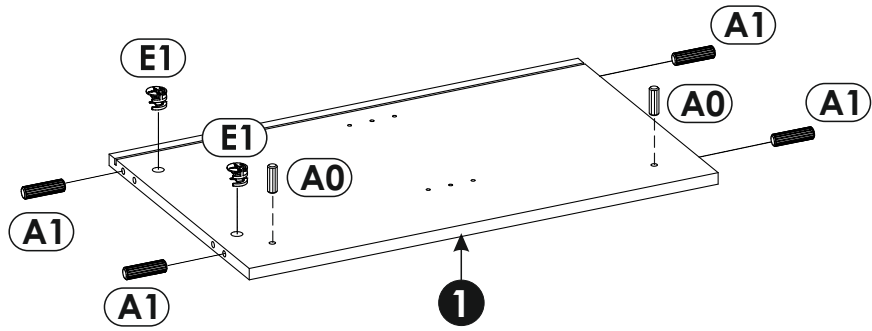
4 ▶



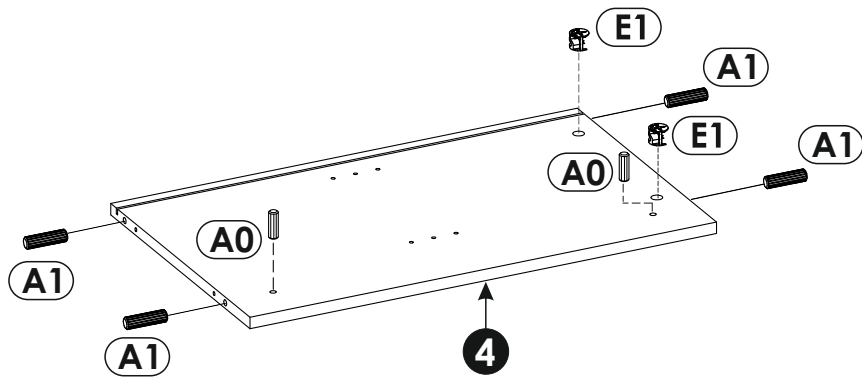
5 ▶



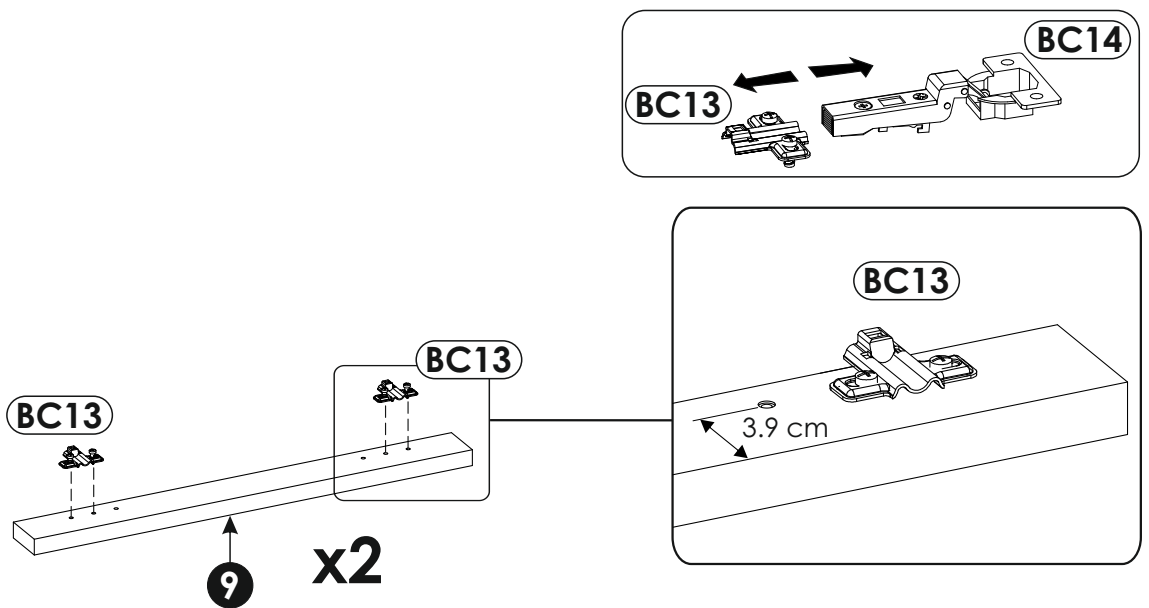
6 ▶



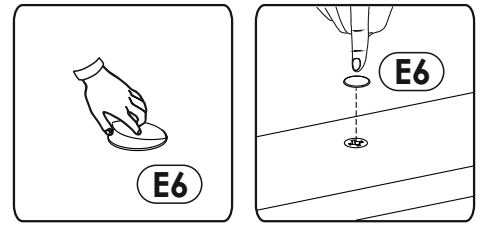
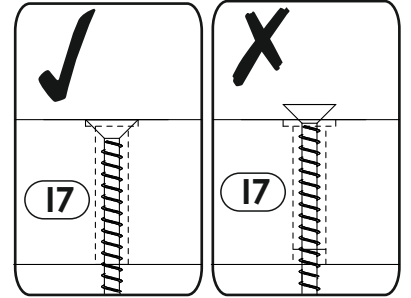
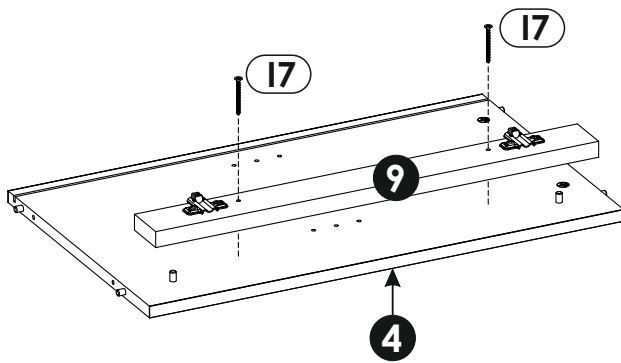
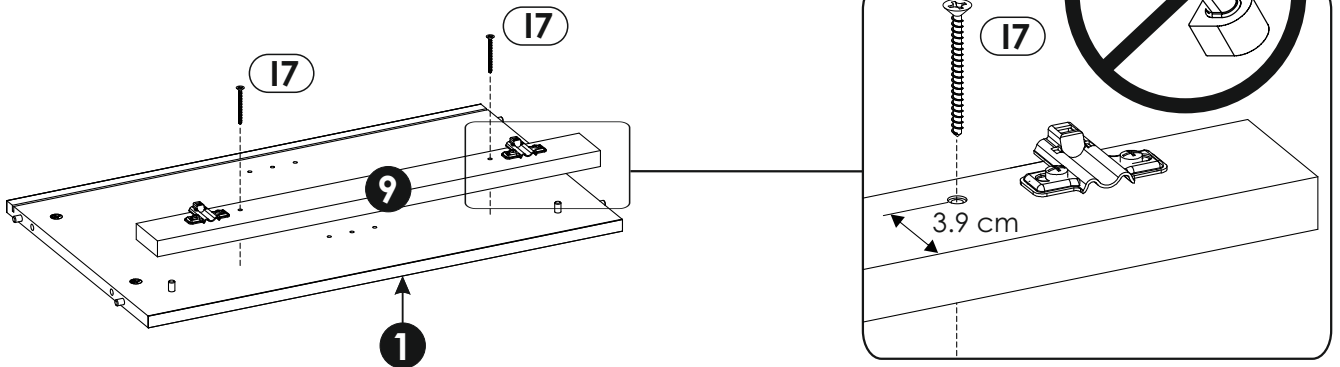
7 ▶



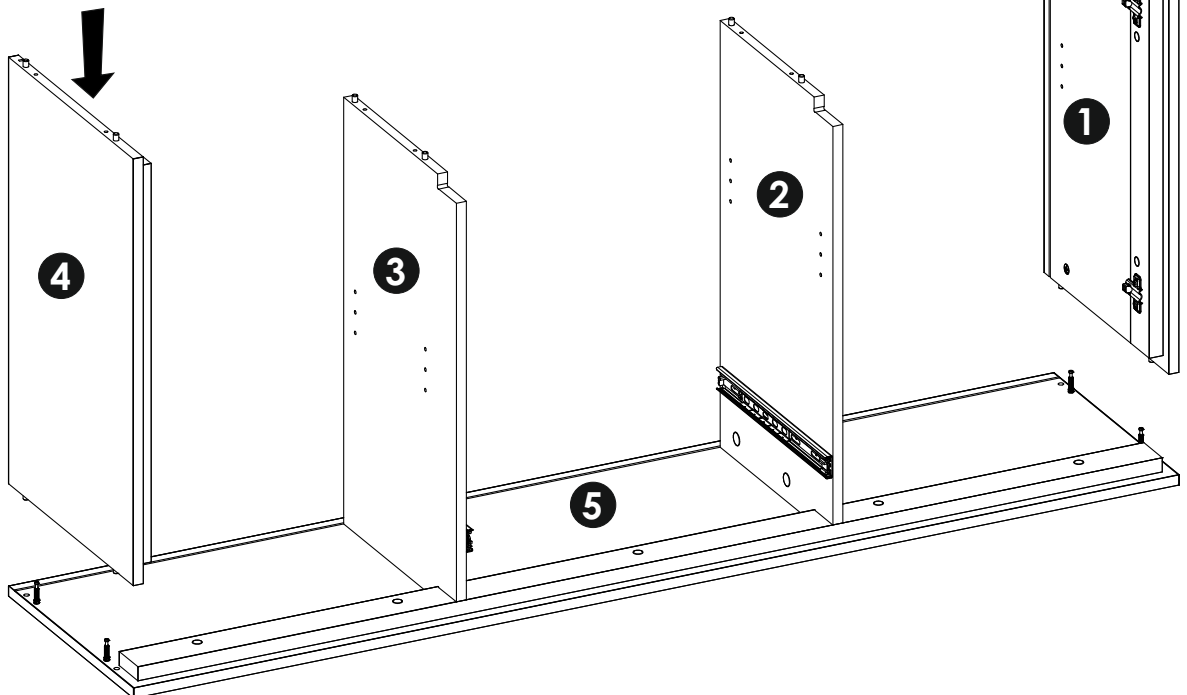
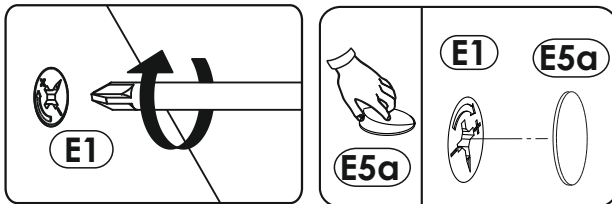
8 ▶



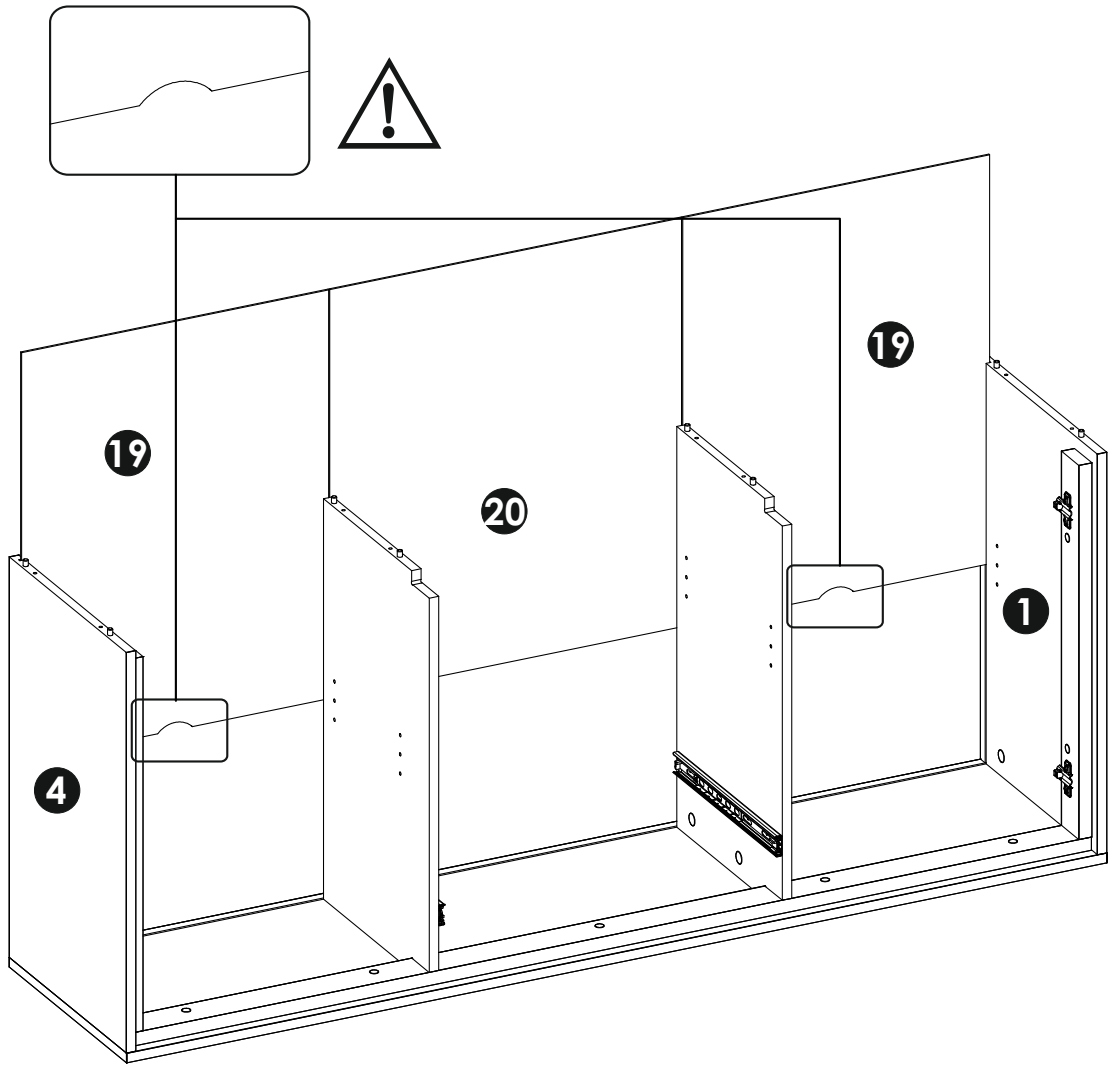
9 ▶



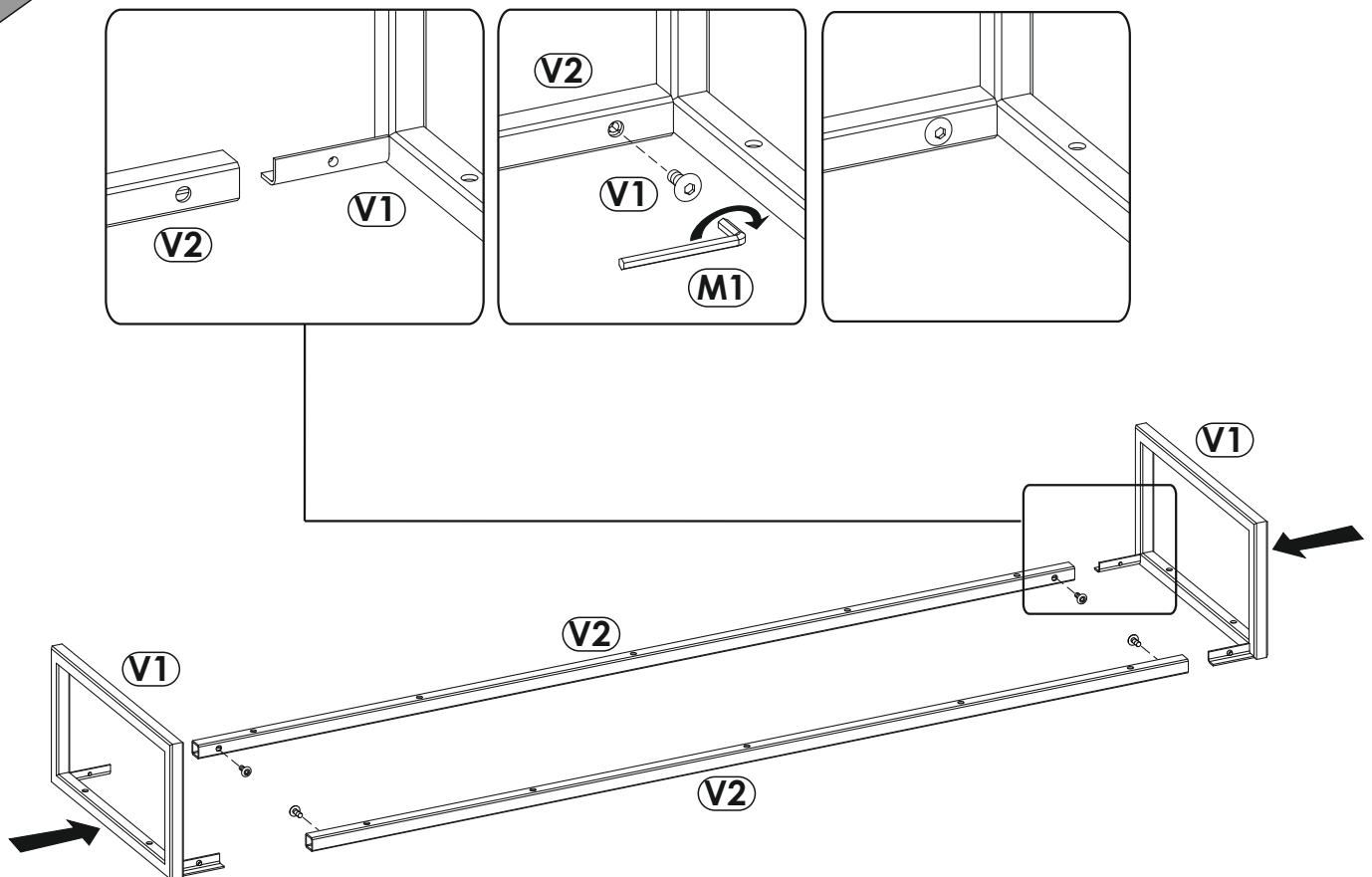
10 ▶



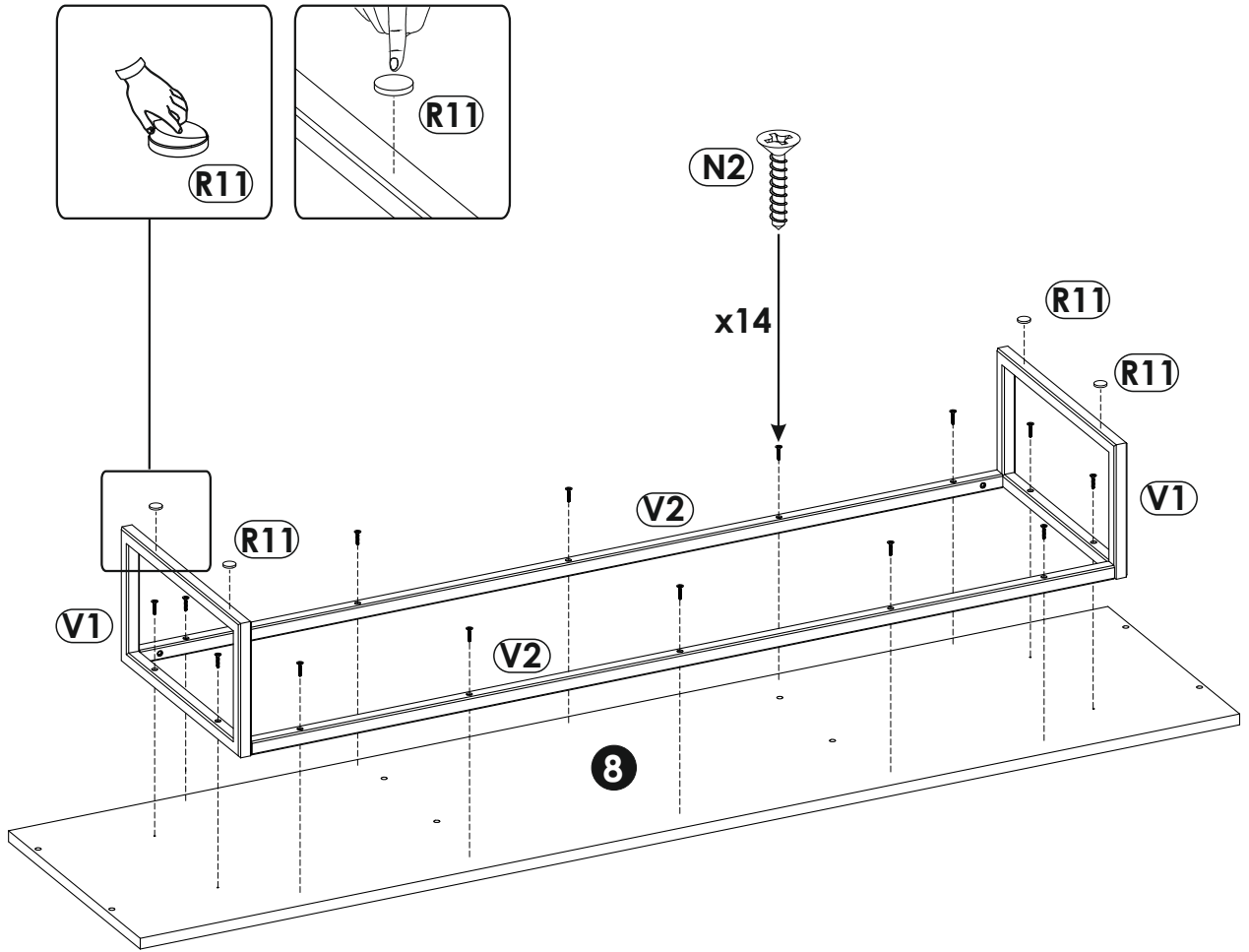
11 ▶



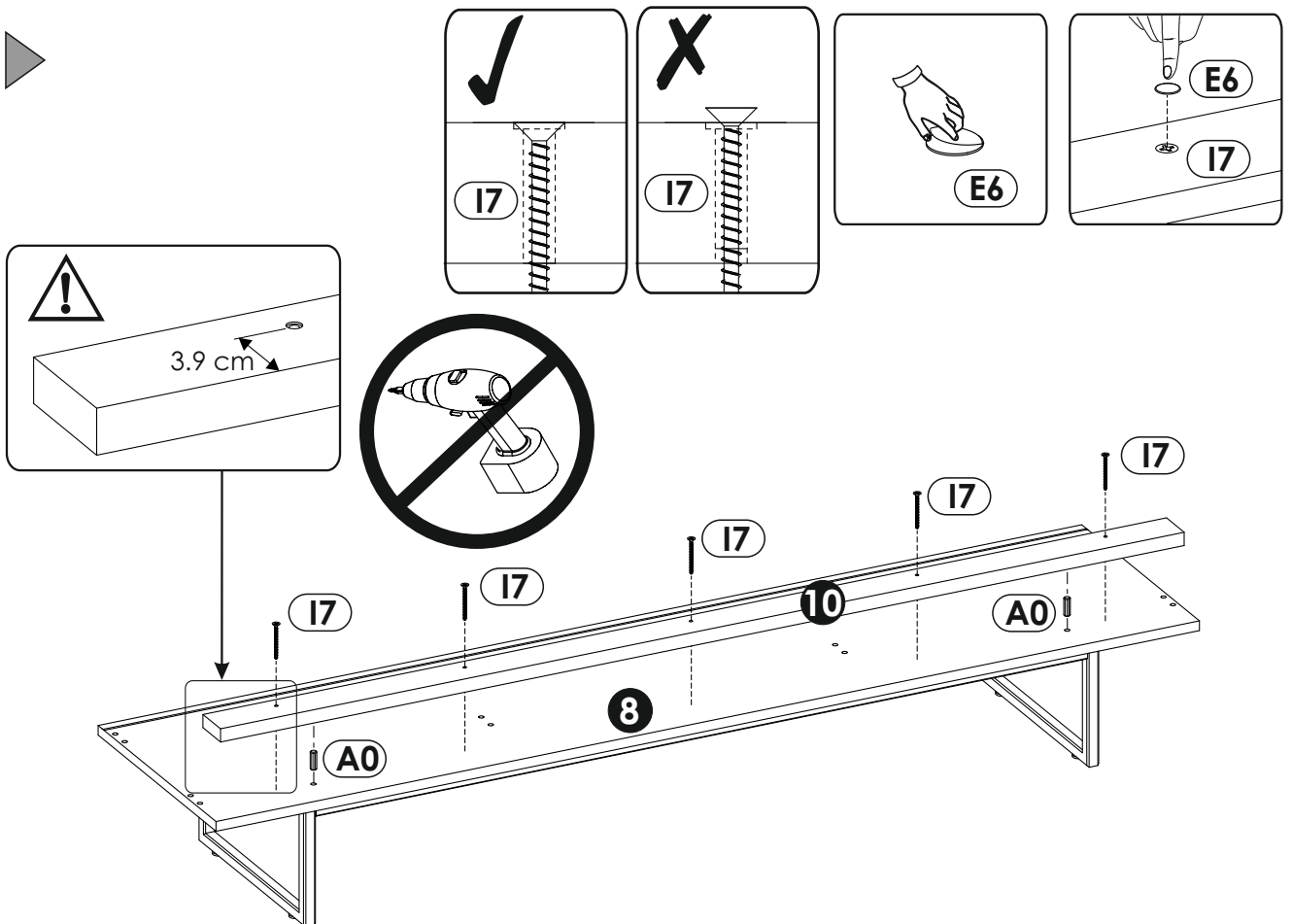
12 ▶



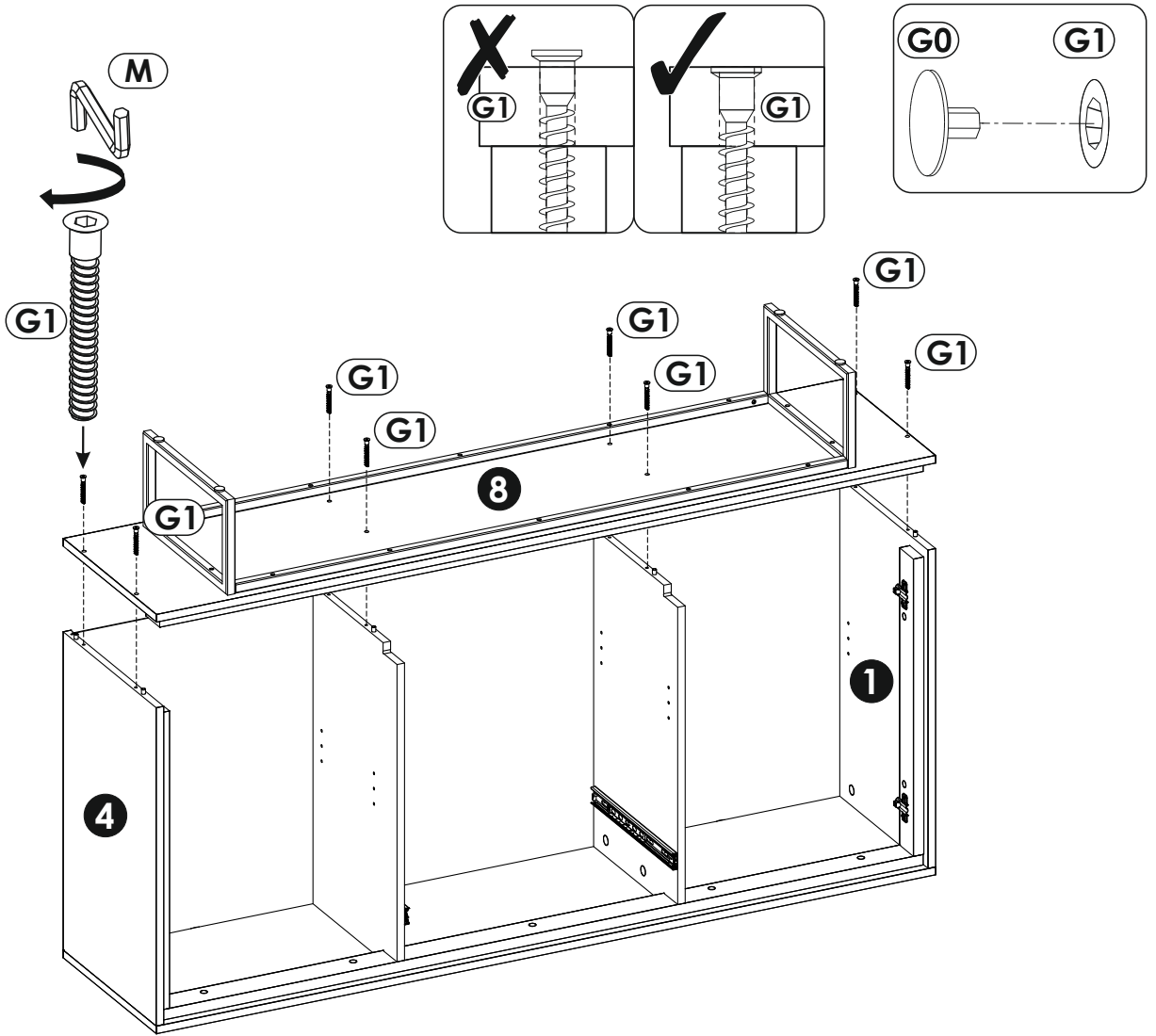
13 ▶



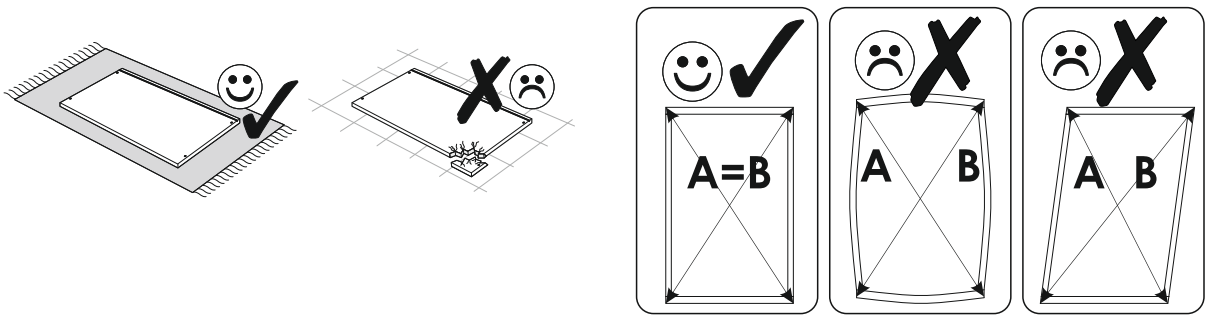
14 ▶



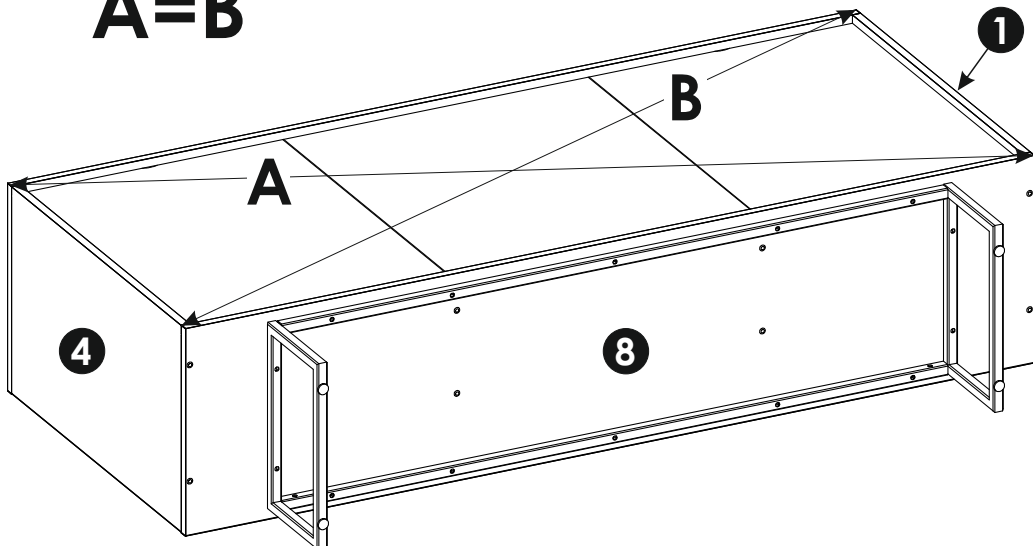
15 ▶



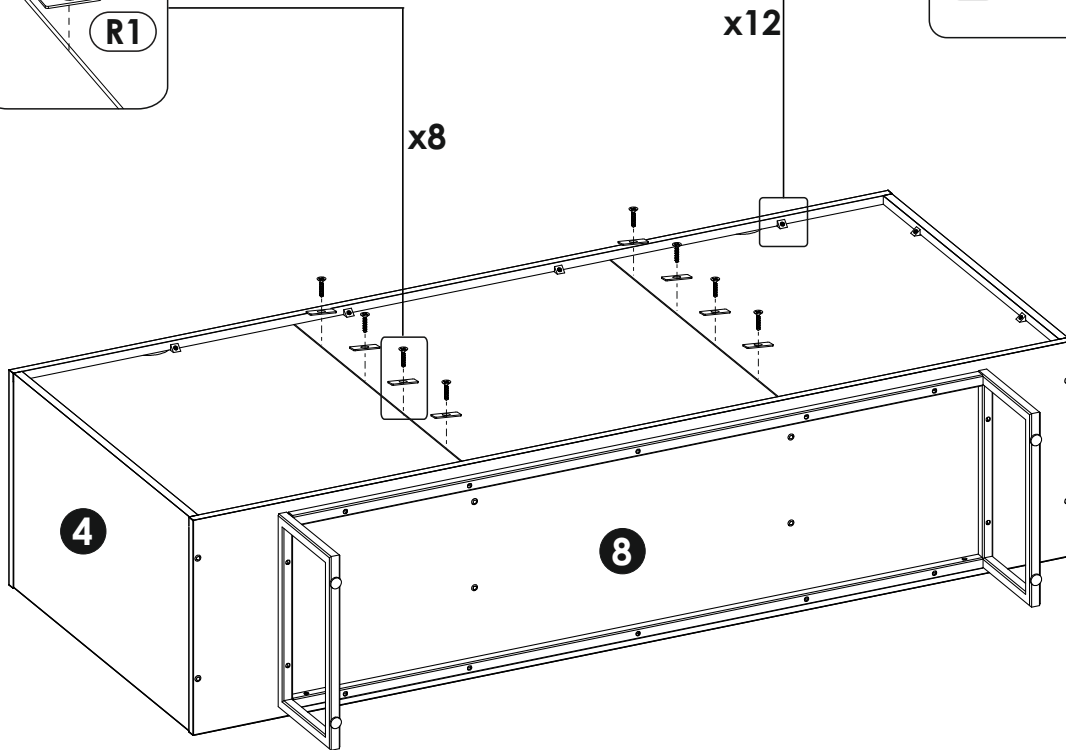
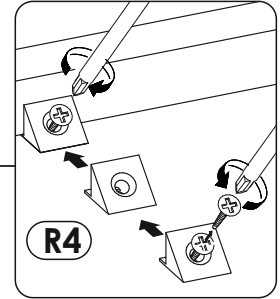
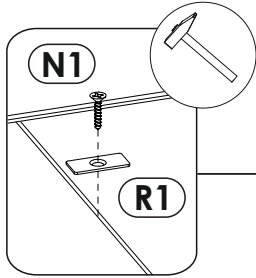
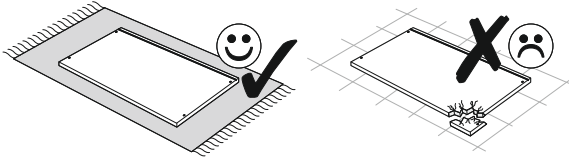
16 ▶



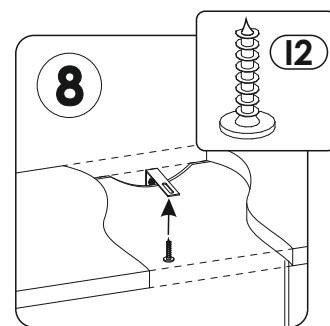
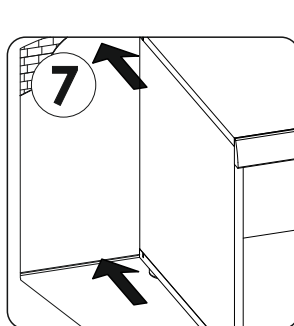
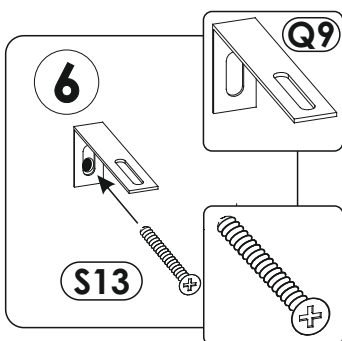
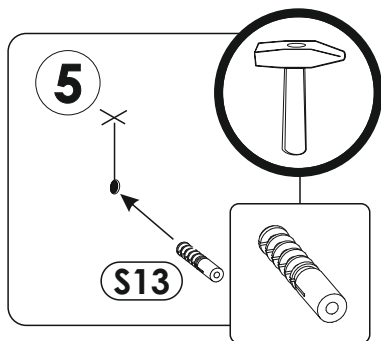
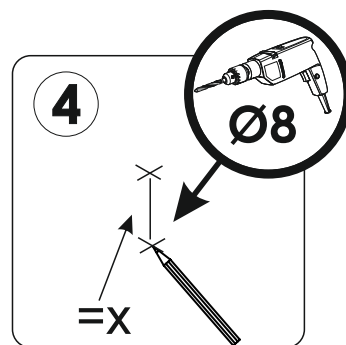
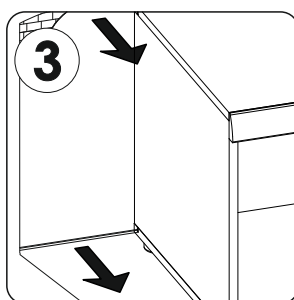
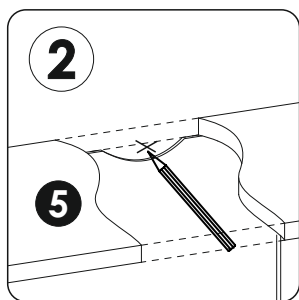
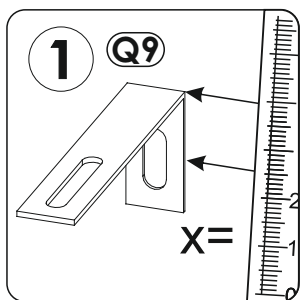
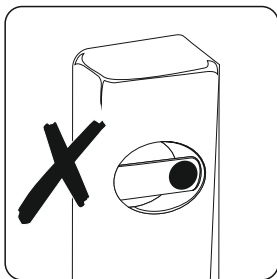
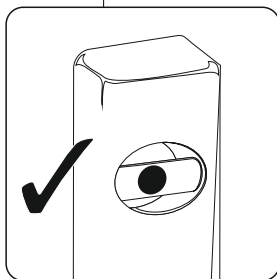
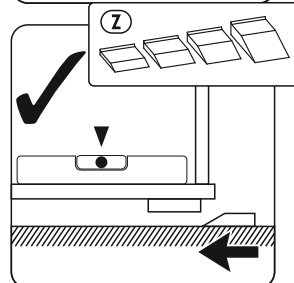
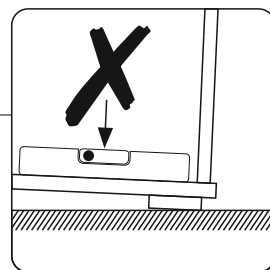
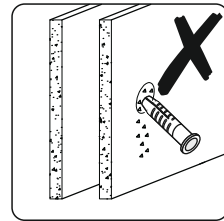
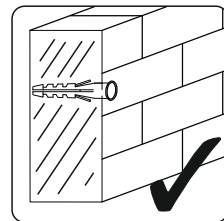
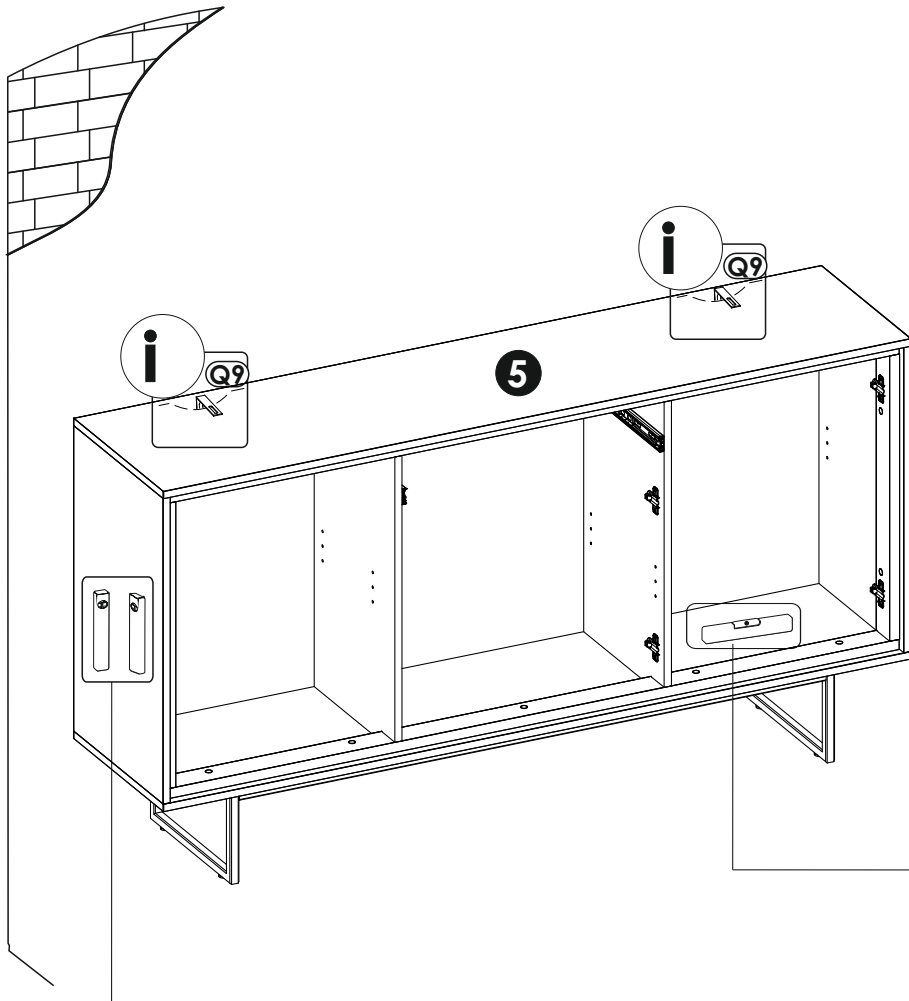
A=B



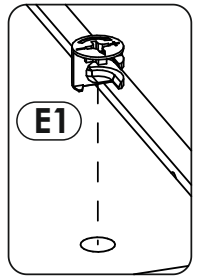
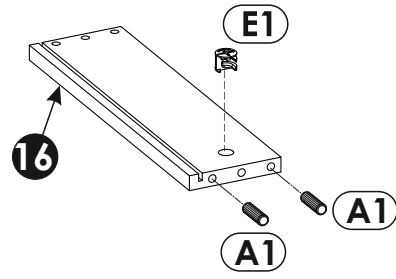
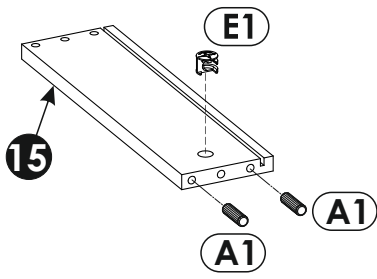
17▶



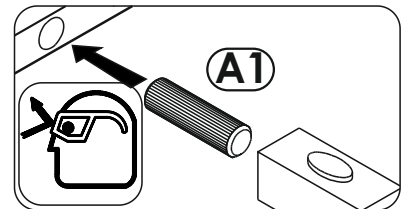
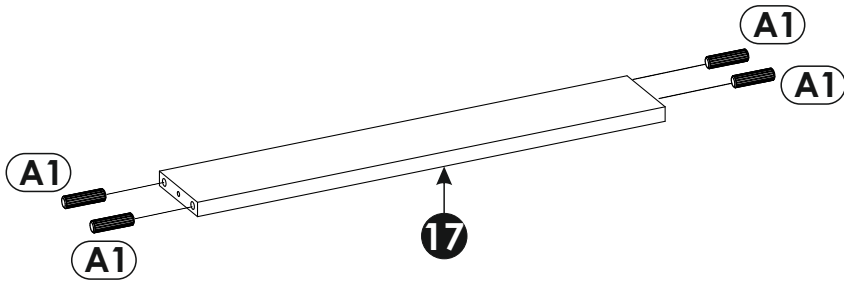
18 ▶



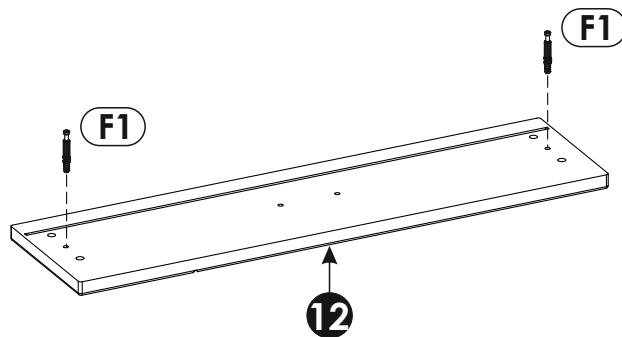
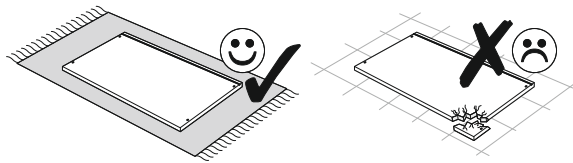
19▶



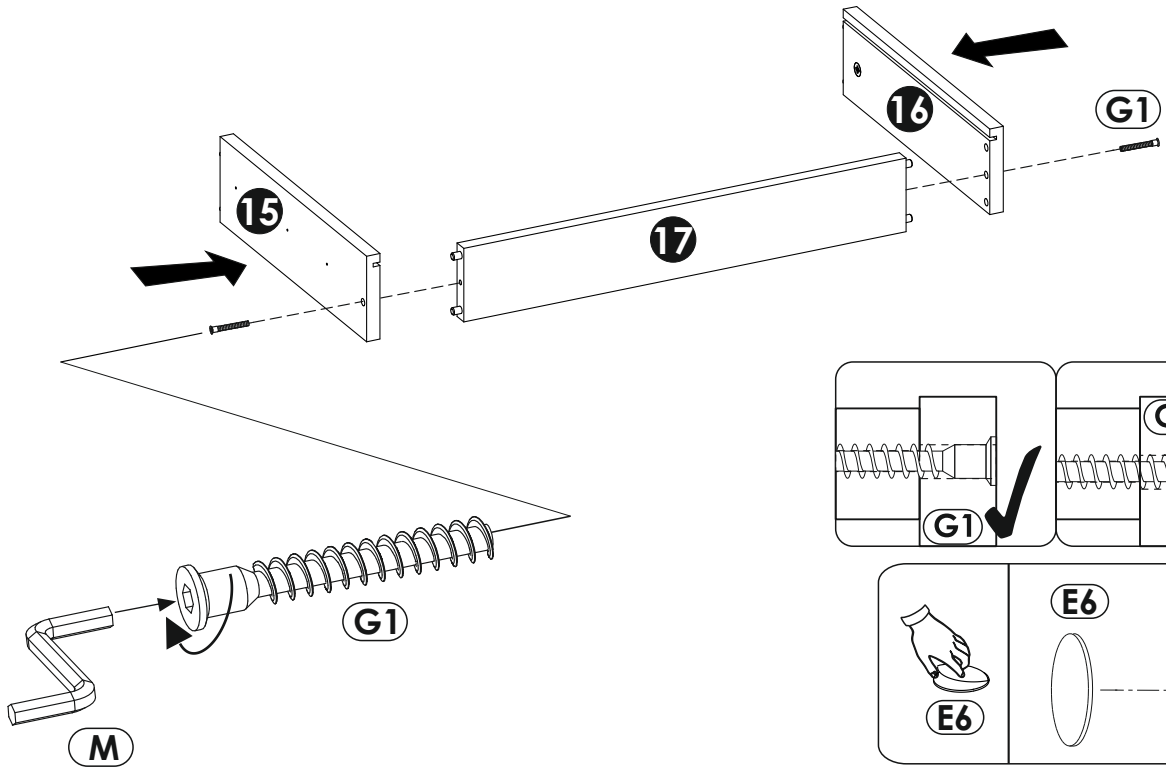
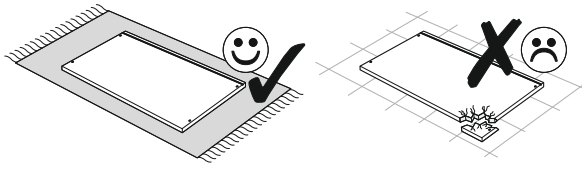
20▶



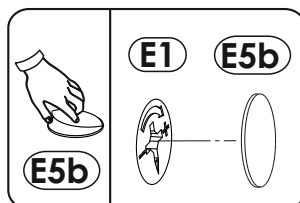
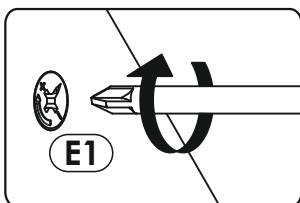
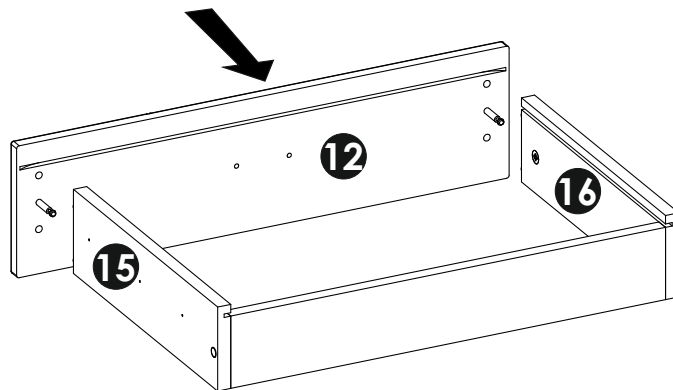
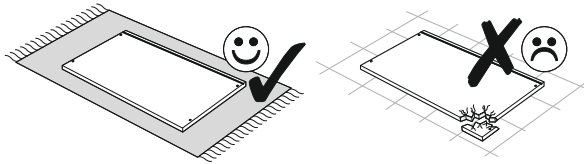
21▶



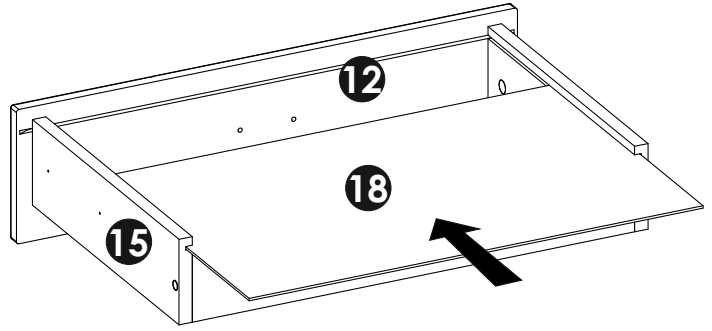
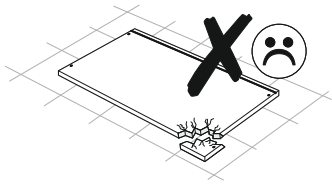
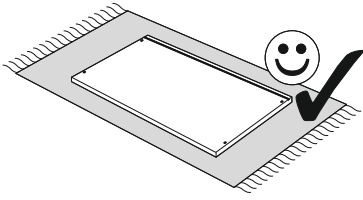
22 ▶



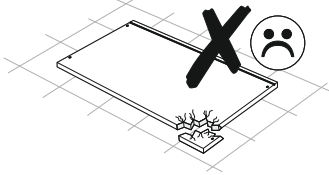
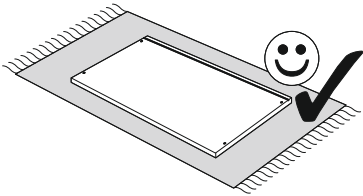
23 ▶



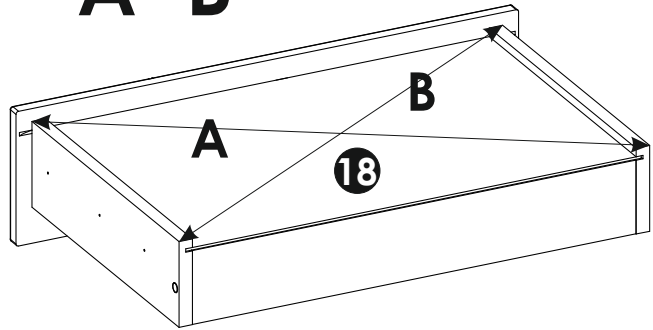
24▶



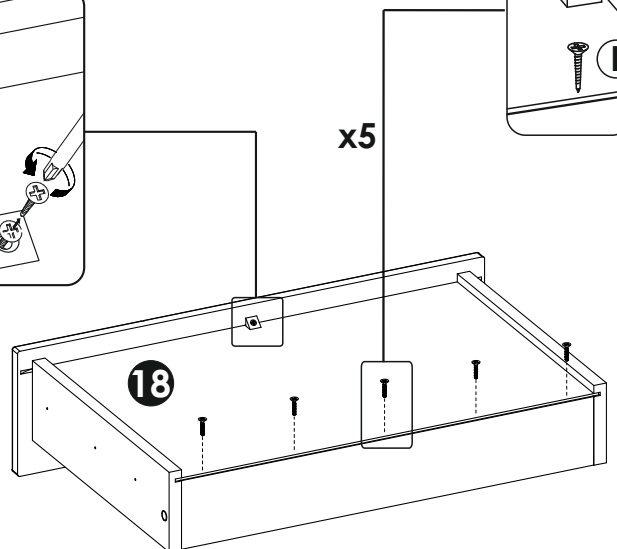
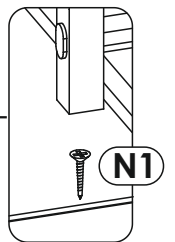
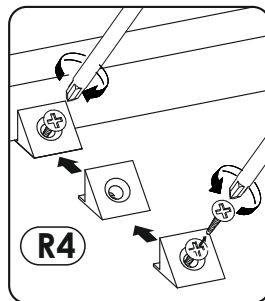
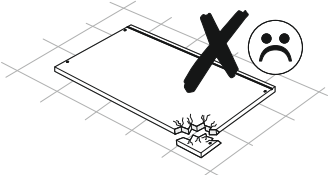
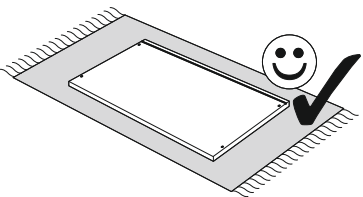
25▶



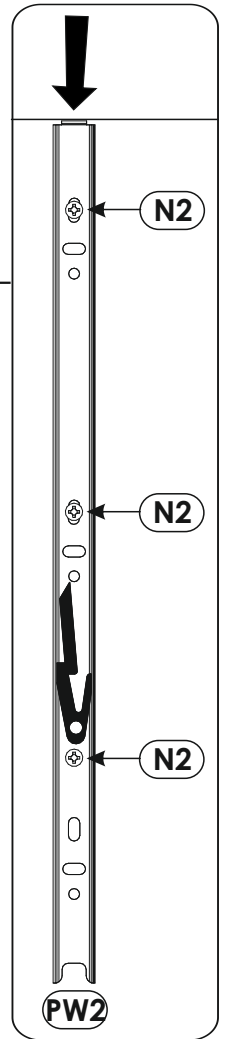
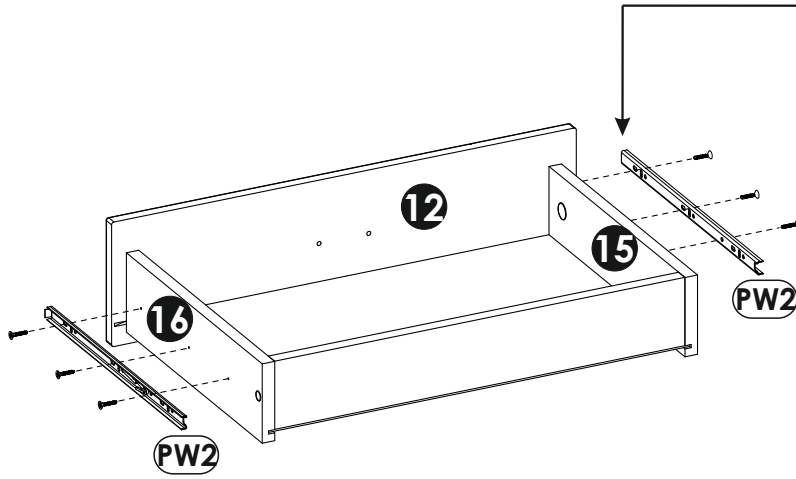
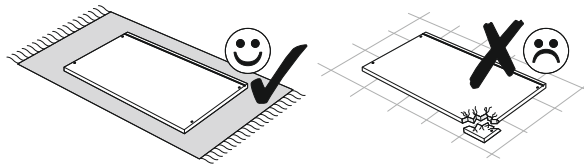
$A=B$



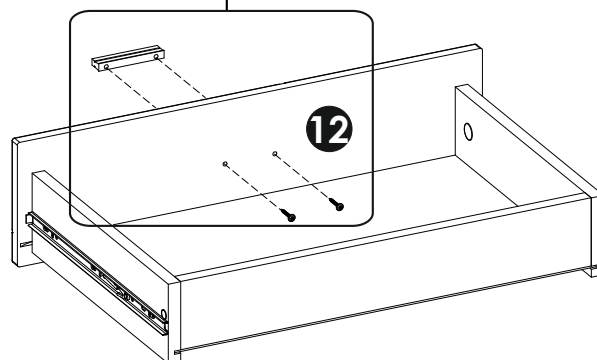
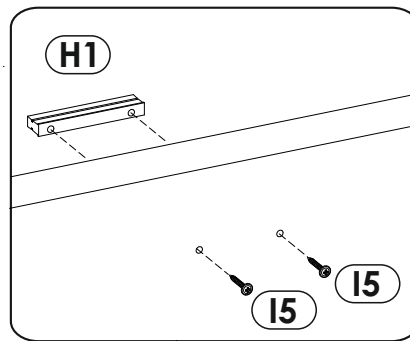
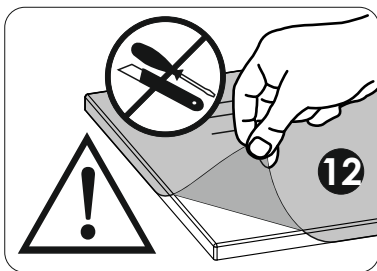
26▶



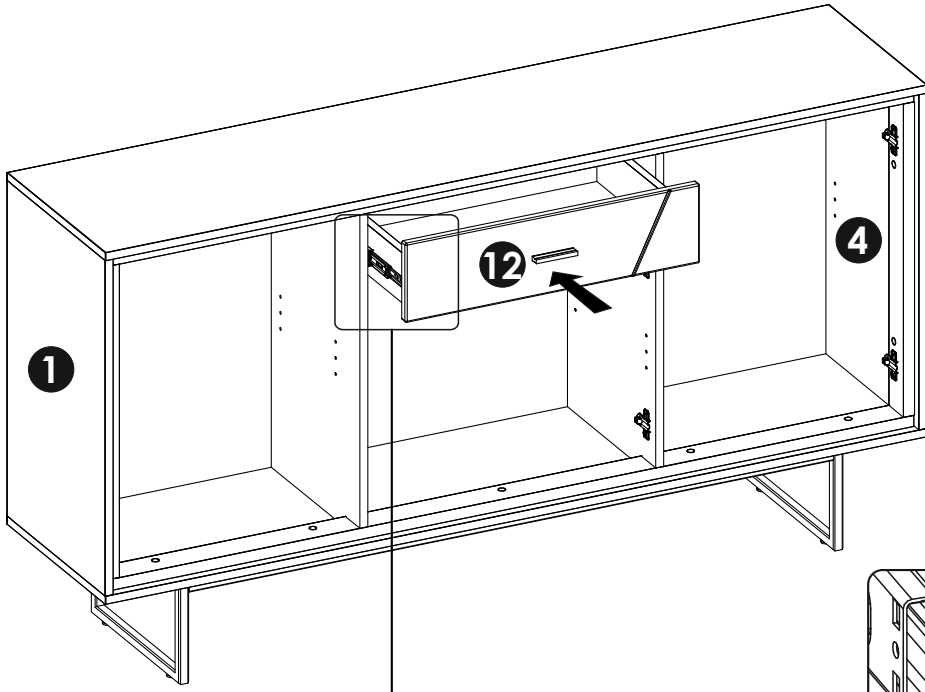
27 ▶



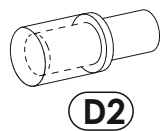
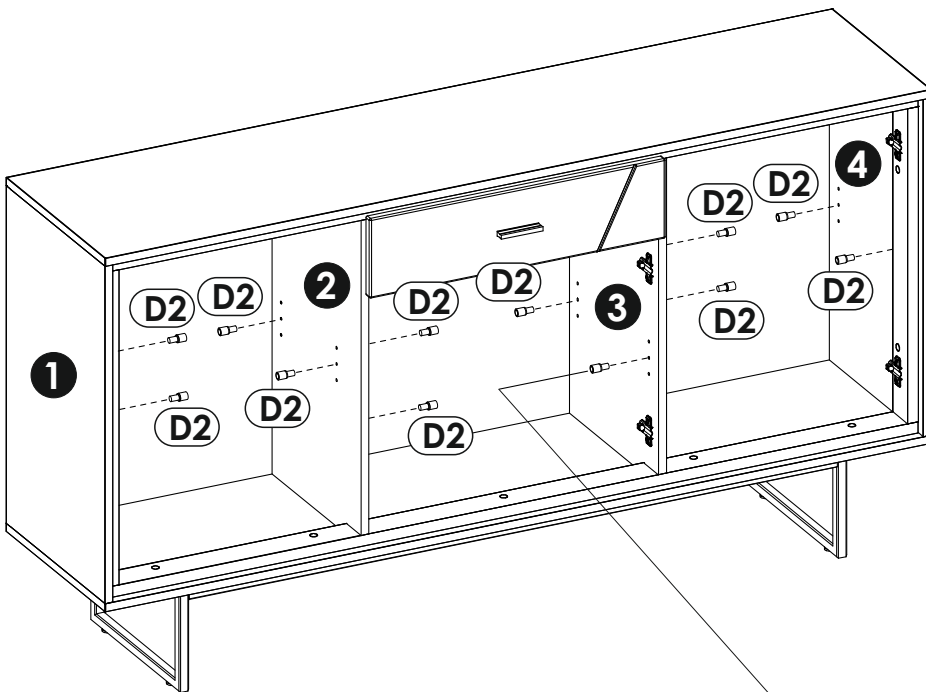
28 ▶



29 ▶



30 ▶



31 ▶

