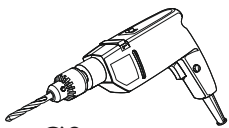
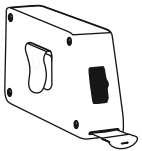
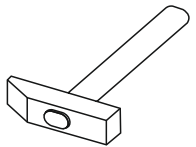
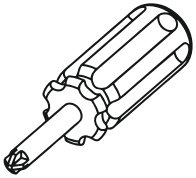
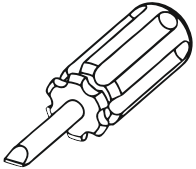
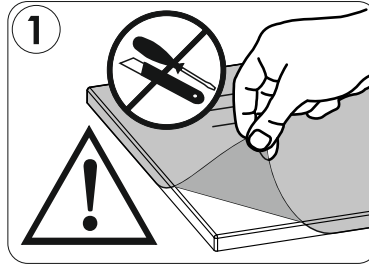
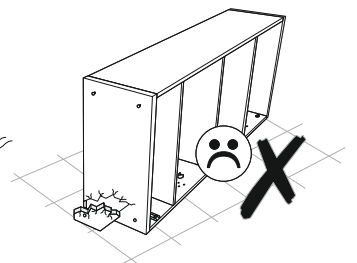
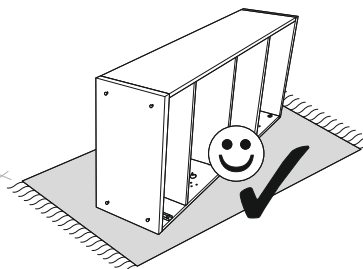
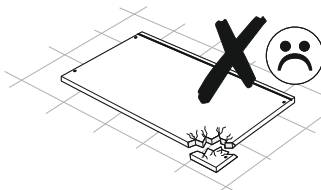
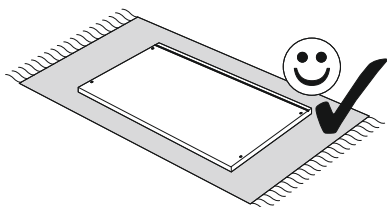
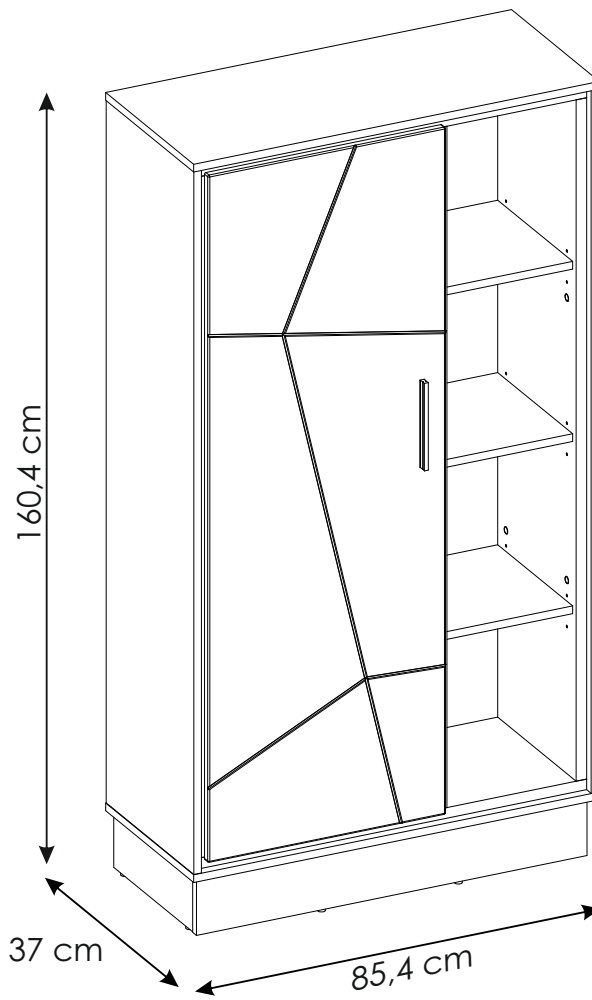
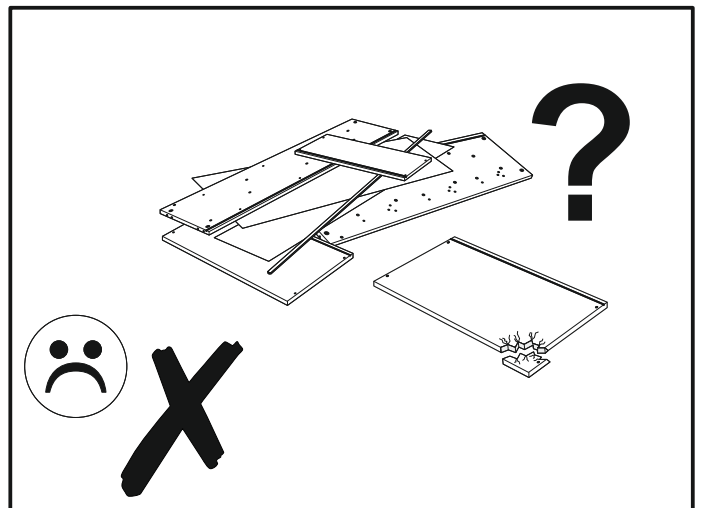
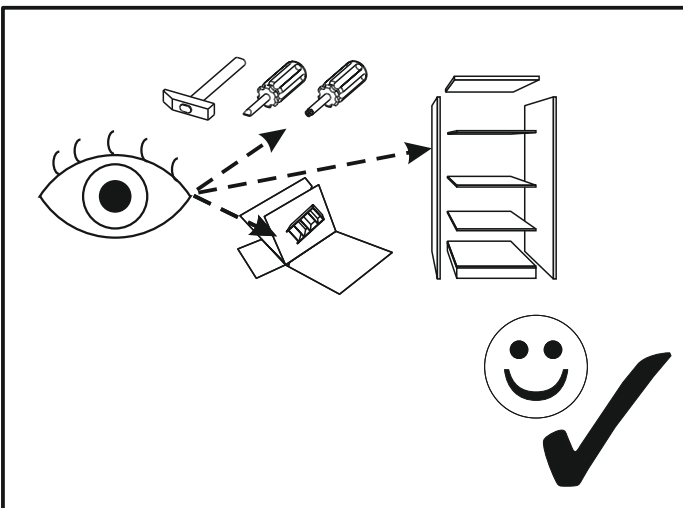
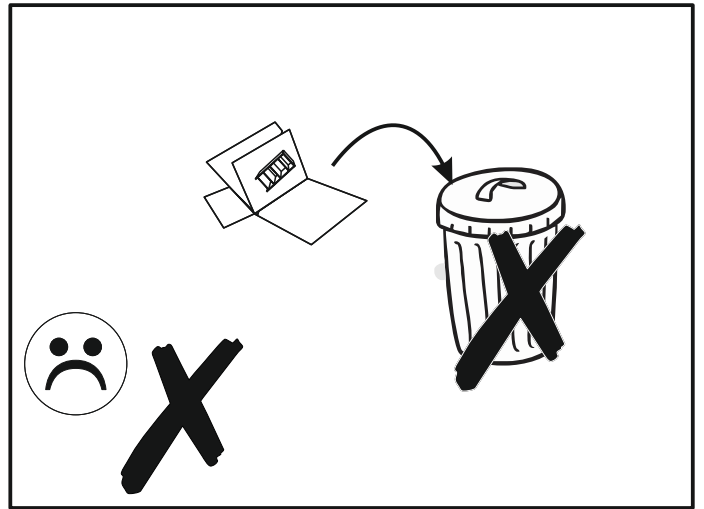
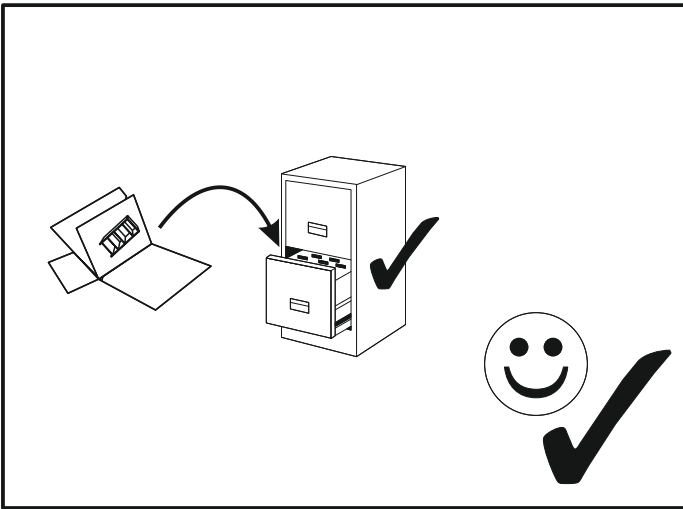
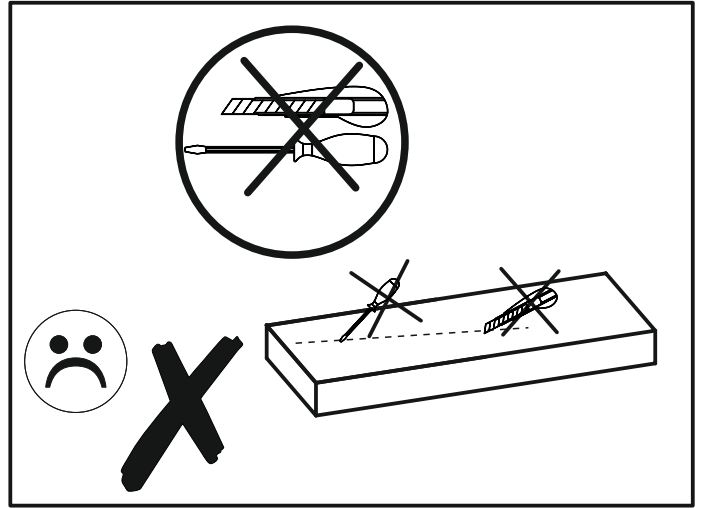
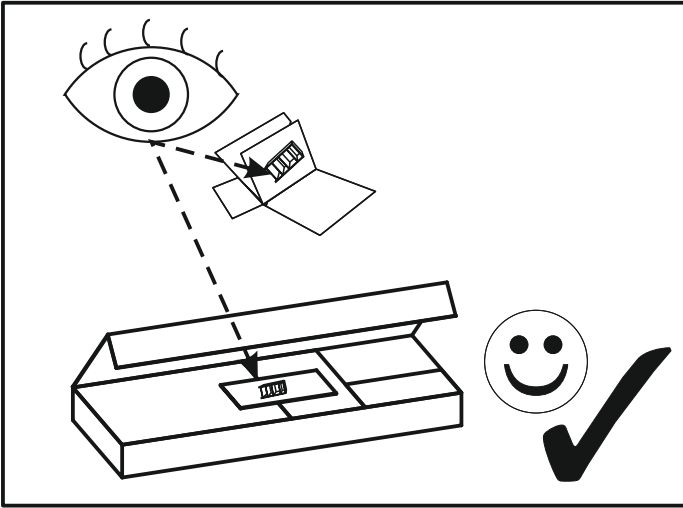


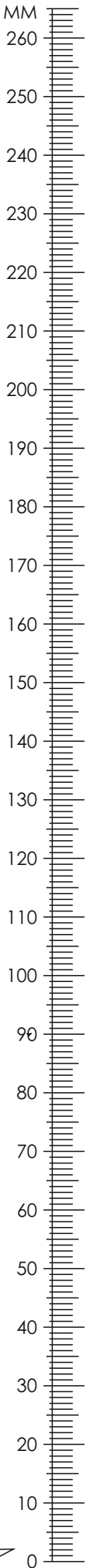
90 MIN



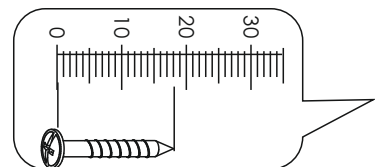
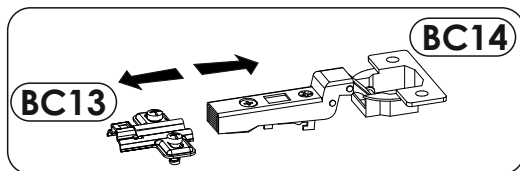
Ø8

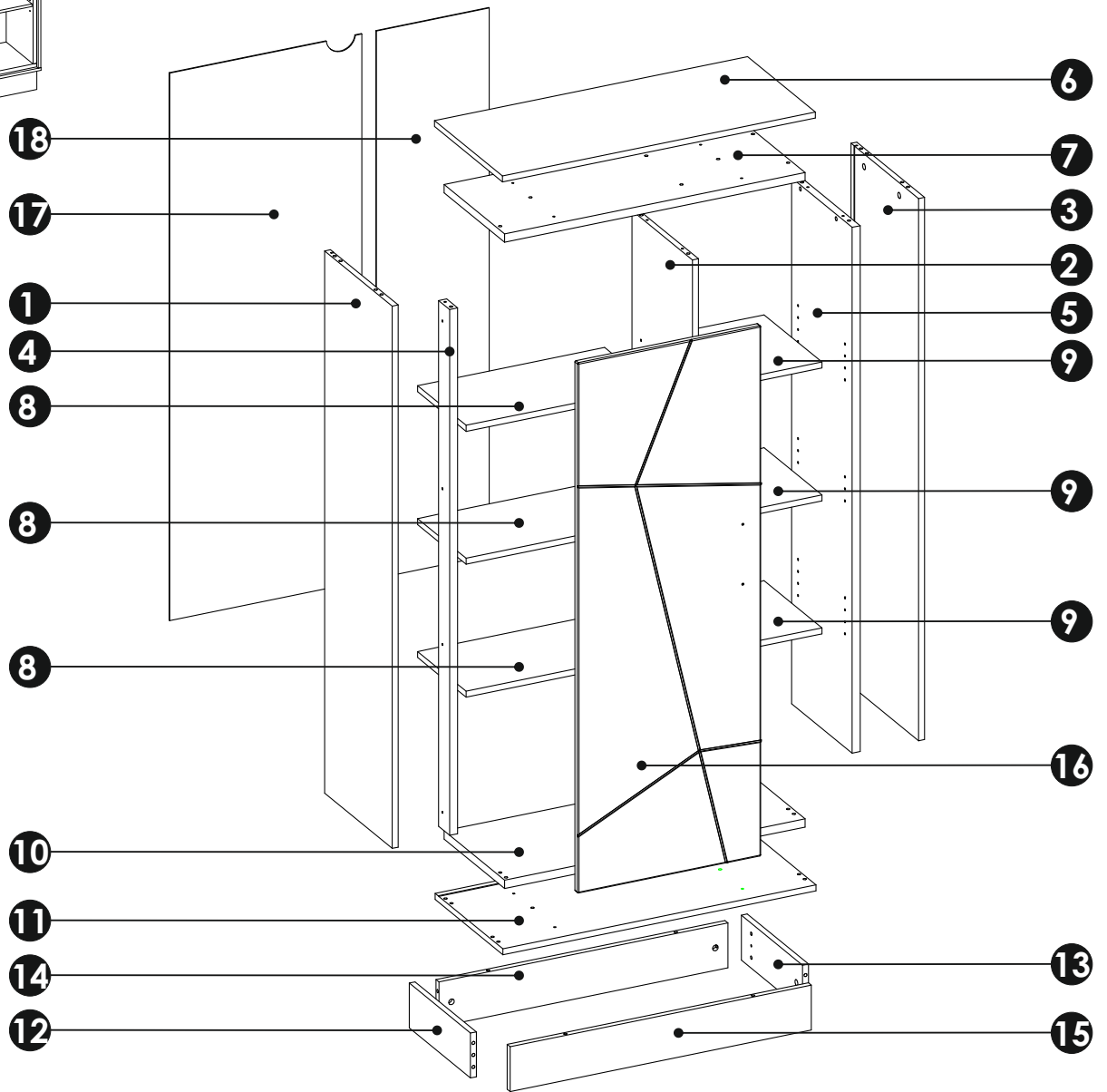
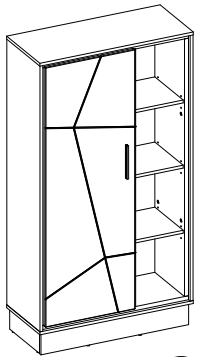






A0	8 x 24 mm	x4	A1	8 x 35 mm	x30	BC13 + BC14	x3	
C1	4 x 13 mm	x6	D2		x12	D5	x12	
E1	15 x 12 mm	x8	E5a	20 mm	x4	E5b	20 mm	x2
E6a	14 mm	x14	E6b	14 mm	x4	F1	6 x 34 mm	x8
G0		x4	G1	7 x 50 mm	x14	H1	L - 180	x1
I2	4 x 16 mm	x1	I5	3,5 x 27 mm	x2	I7	4 x 35mm	x16
M		x1	N1	3 X 16 mm	x10	N2	3,5 X 16 mm	x12
O2		x8	Q9		x1	R1		x9
R4		x12	S13	5 x 50 mm	x1	W		x6
Z		x1		8 x 50 mm				

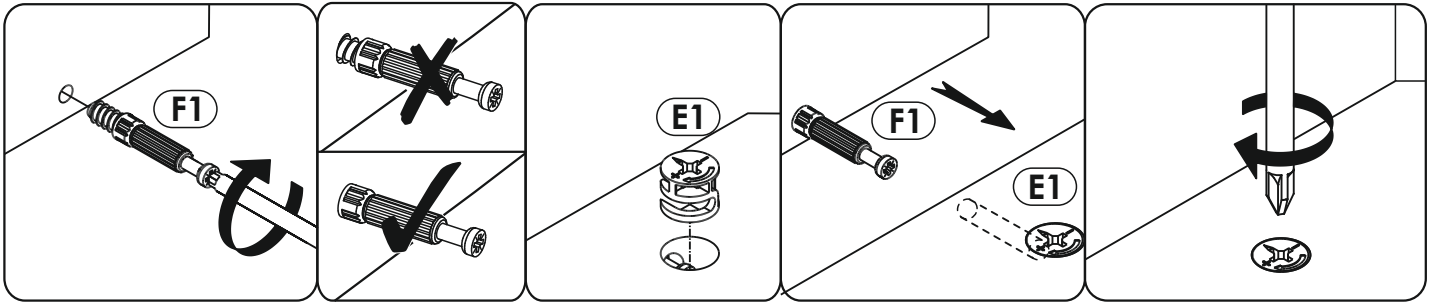




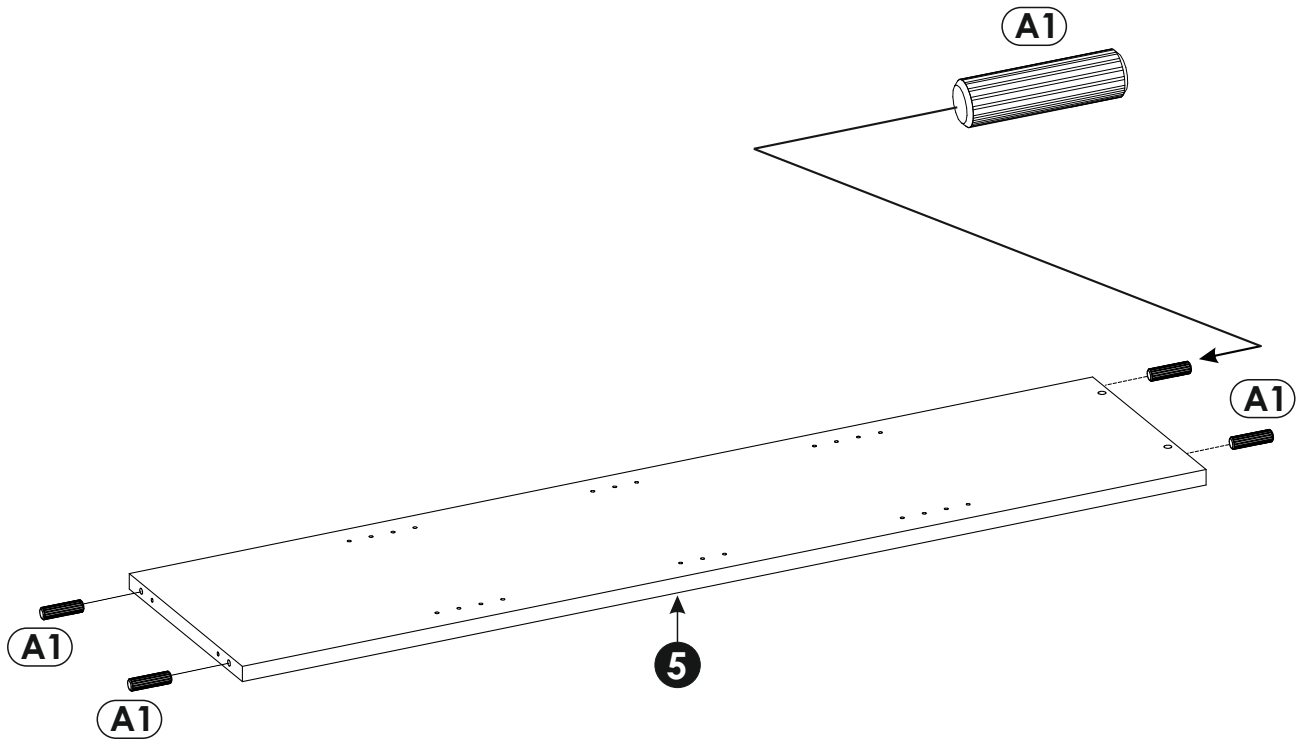
1	1448	369	16 x1	2/3
2	1404	330	16 x1	2/3
3	1448	369	16 x1	2/3
4	1404	60	22 x1	2/3
5	1404	330	22 x1	2/3
6	854	370	16 x1	1/3

7	820	330	22 x1	1/3
8	510	265	16 x3	1/3
9	272	315	16 x3	1/3
10	820	330	22 x1	1/3
11	854	370	16 x1	1/3
12	334	120	16 x1	1/3

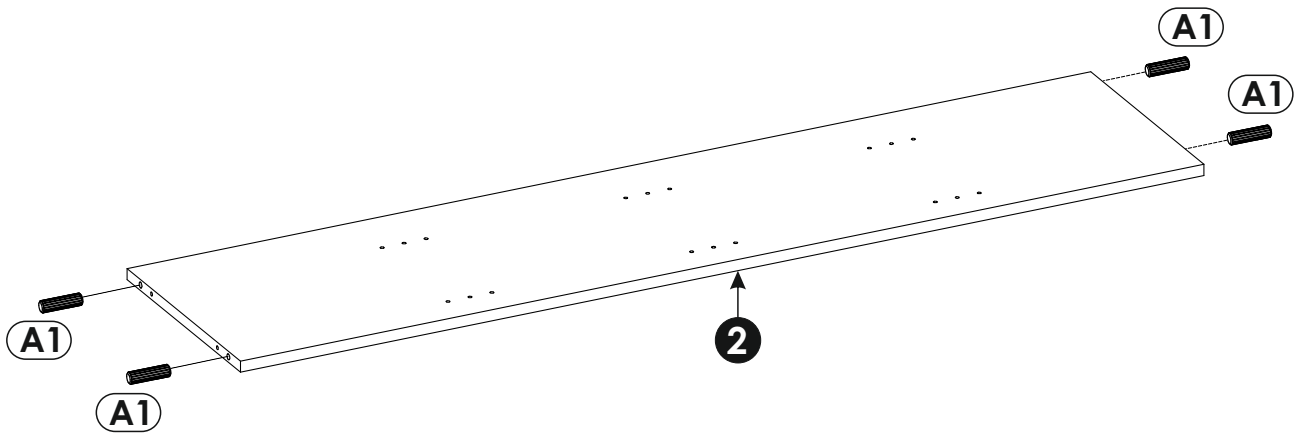
13	334	120	16 x1	1/3
14	788	120	16 x1	1/3
15	822	120	16 x1	1/3
16	1416	500	16 x1	3/3
17	1462	524	3 x1	3/3
18	1462	308	3 x1	3/3



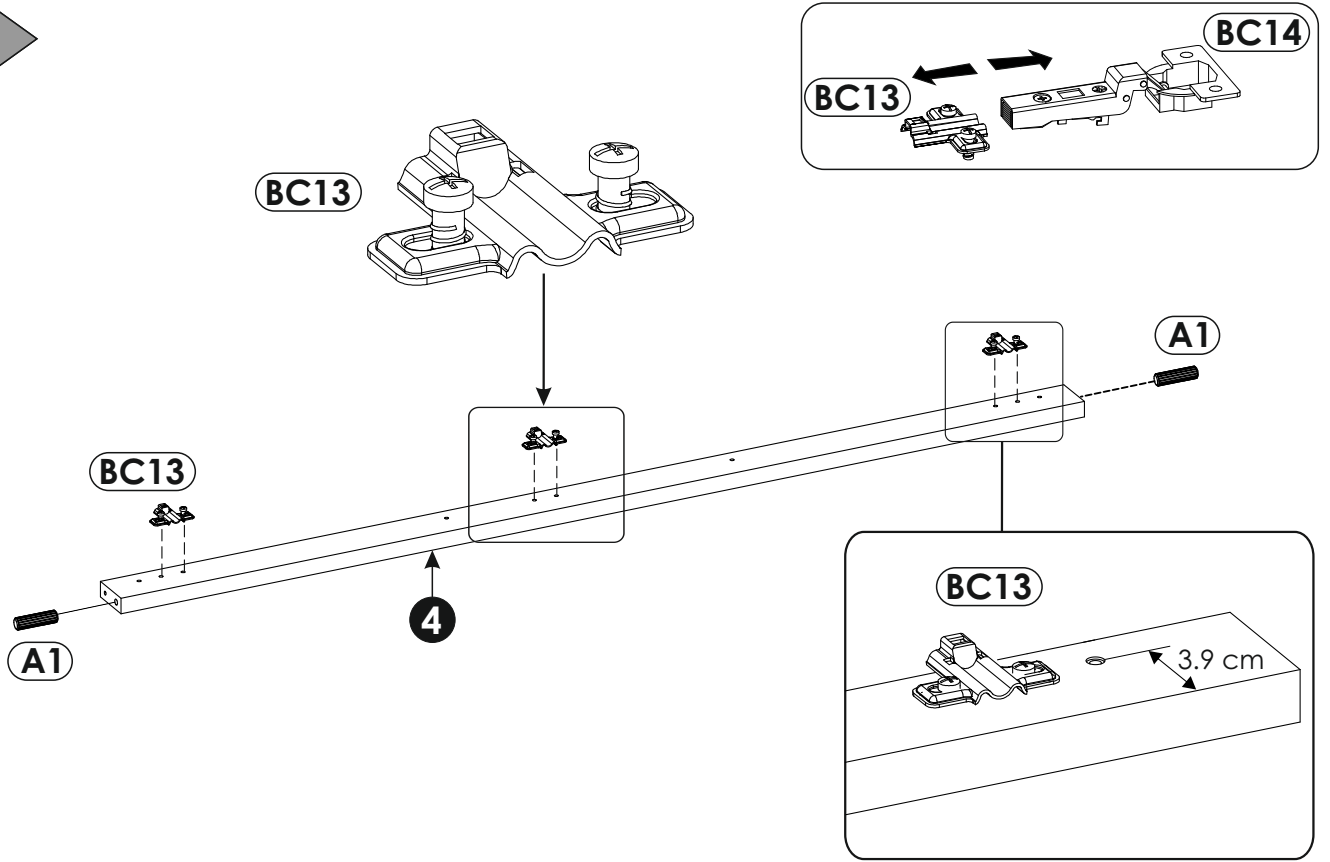
1▶



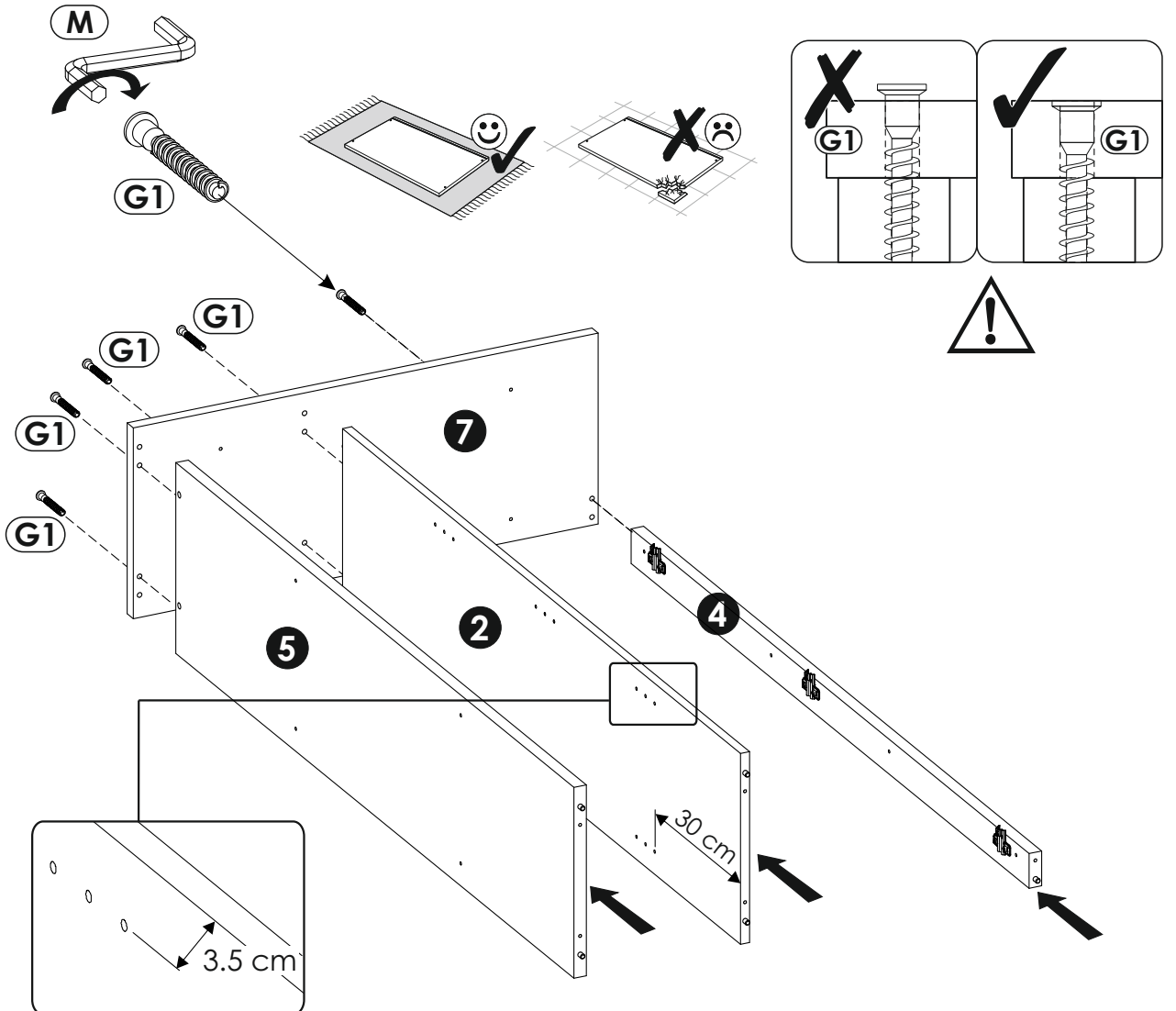
2▶



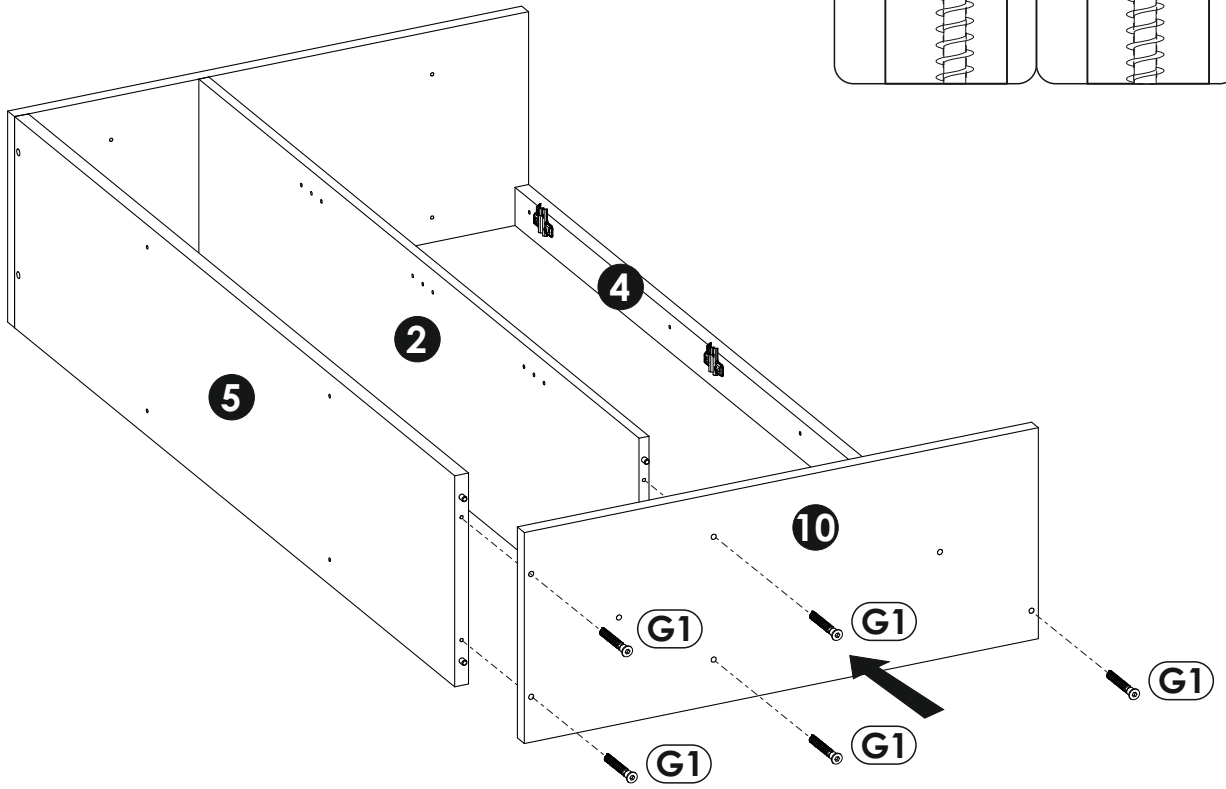
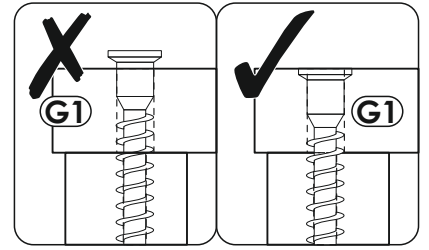
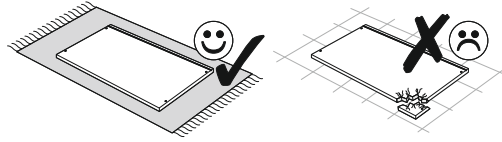
3 ▶



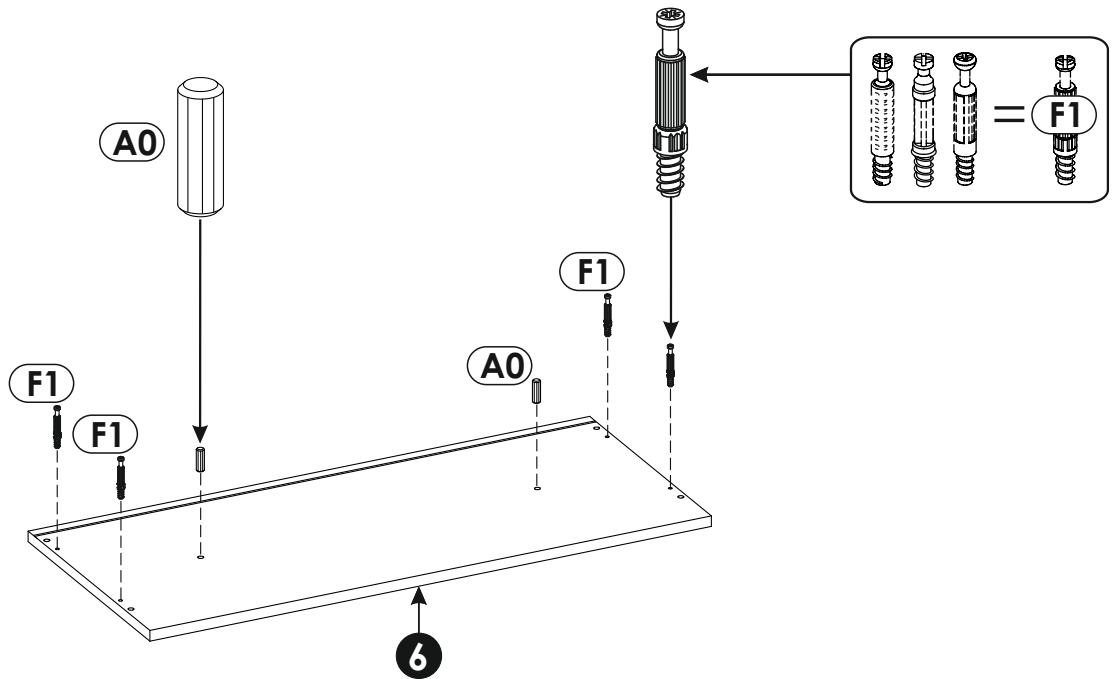
4 ▶



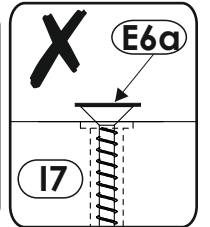
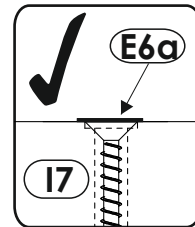
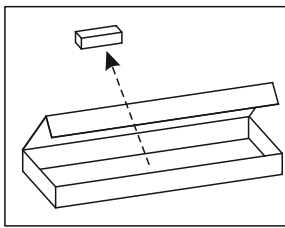
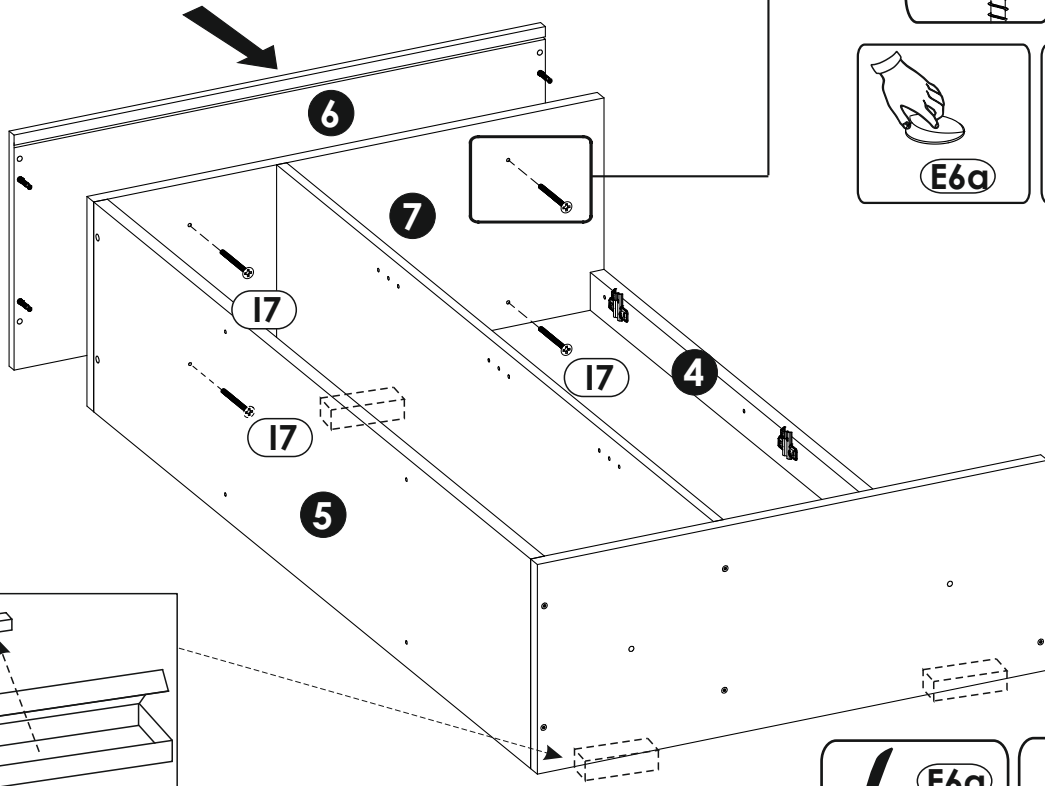
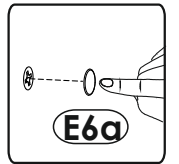
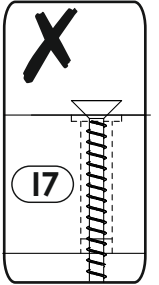
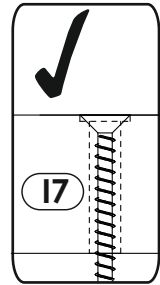
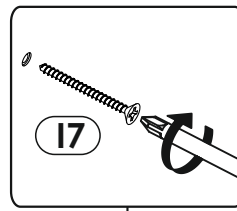
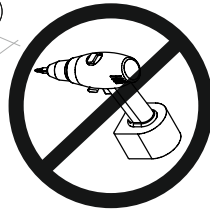
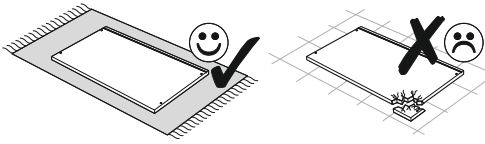
5 ▶



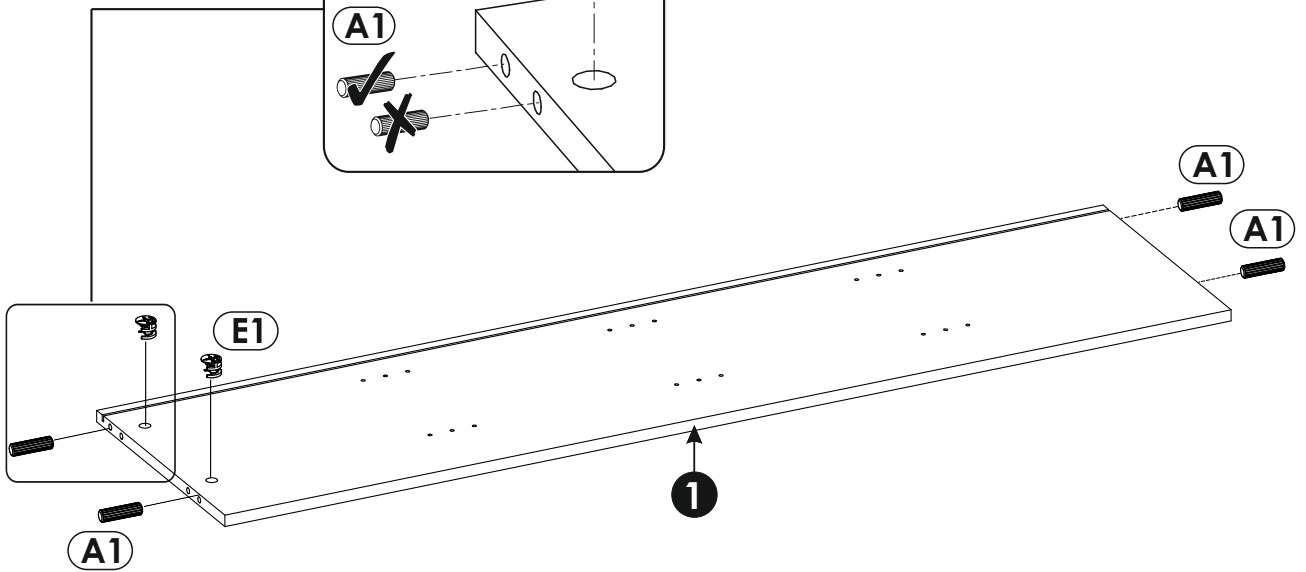
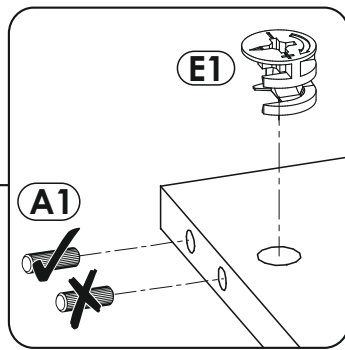
6 ▶



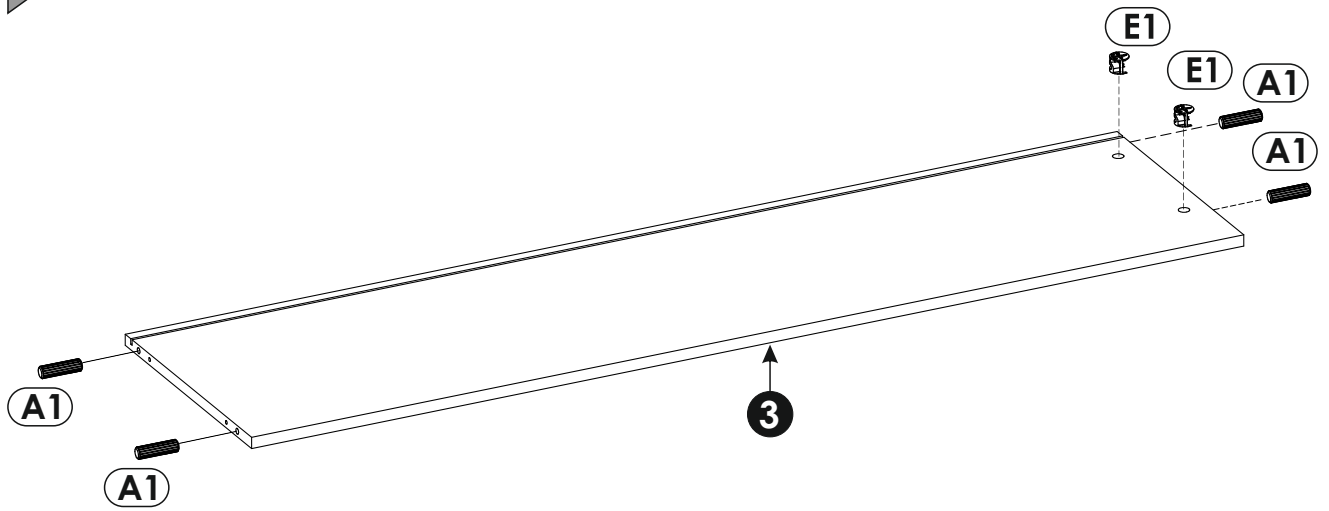
7 ▶



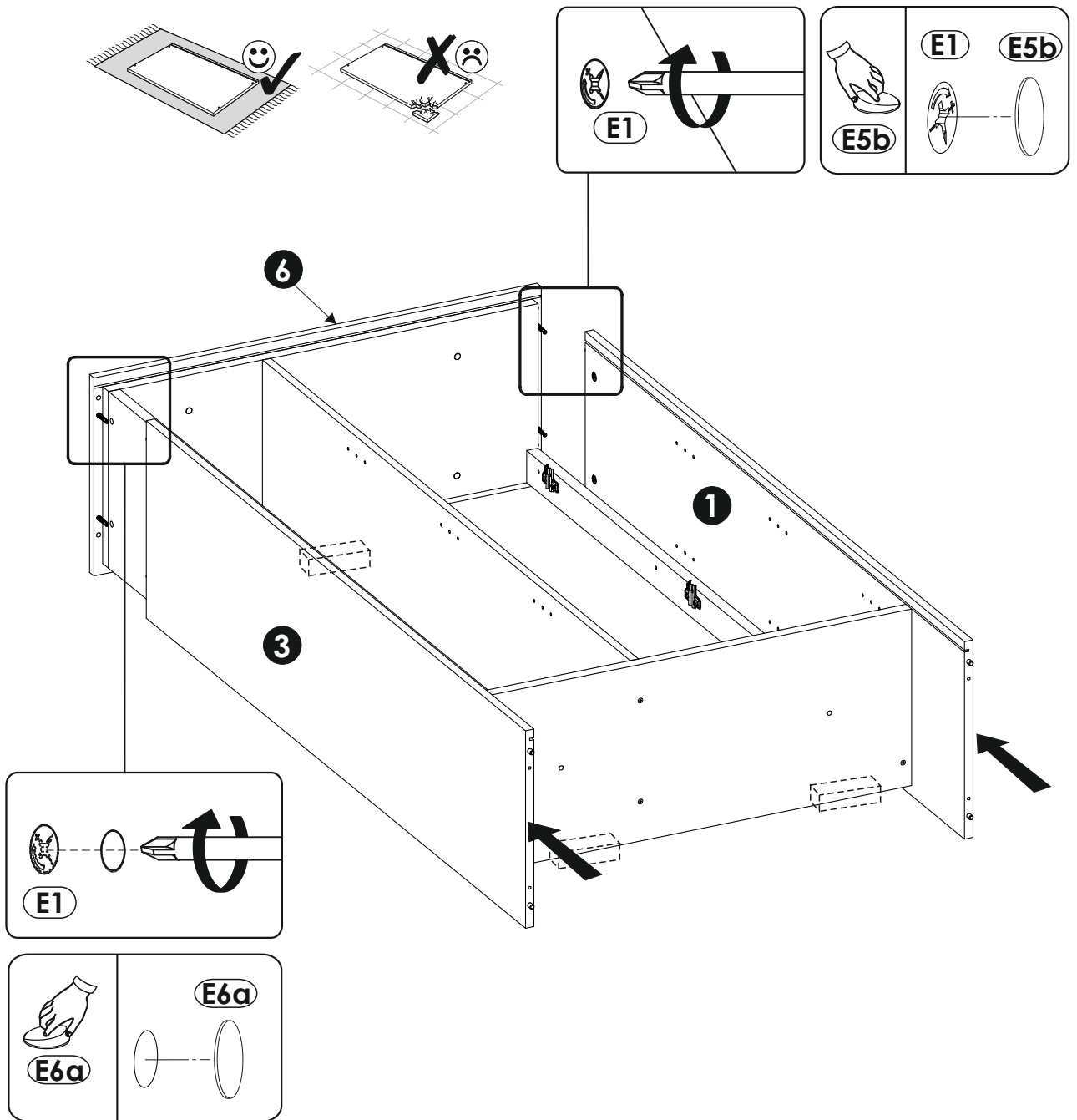
8 ▶



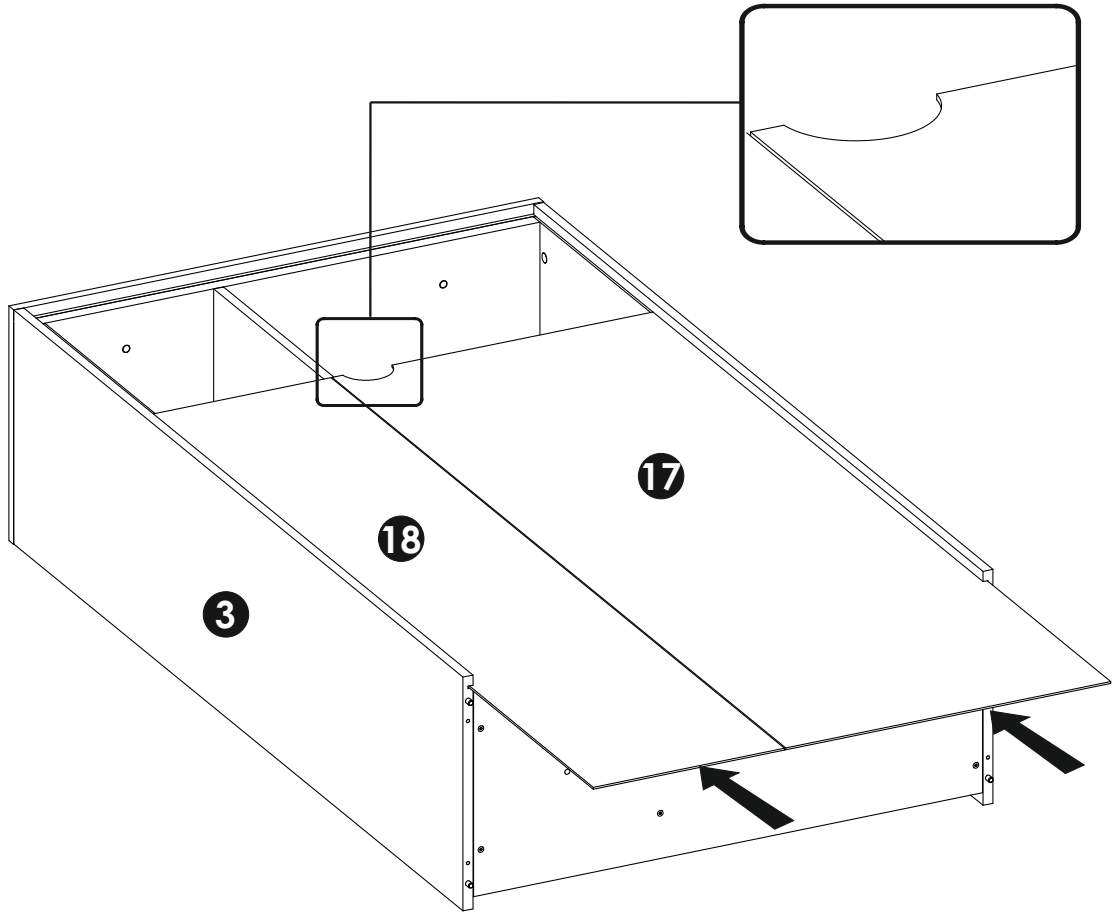
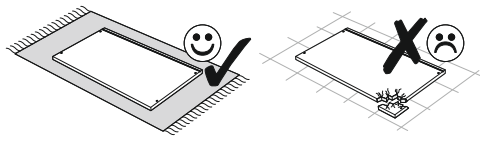
9 ▶



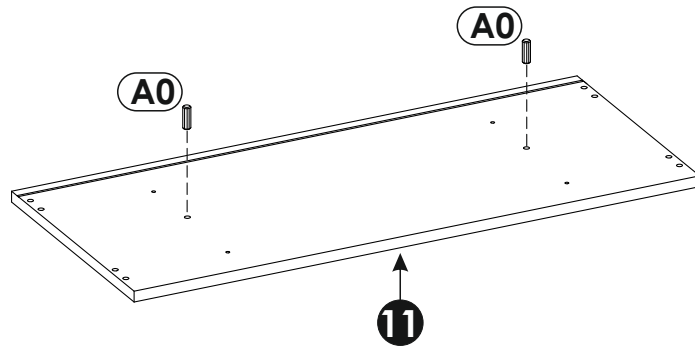
10 ▶



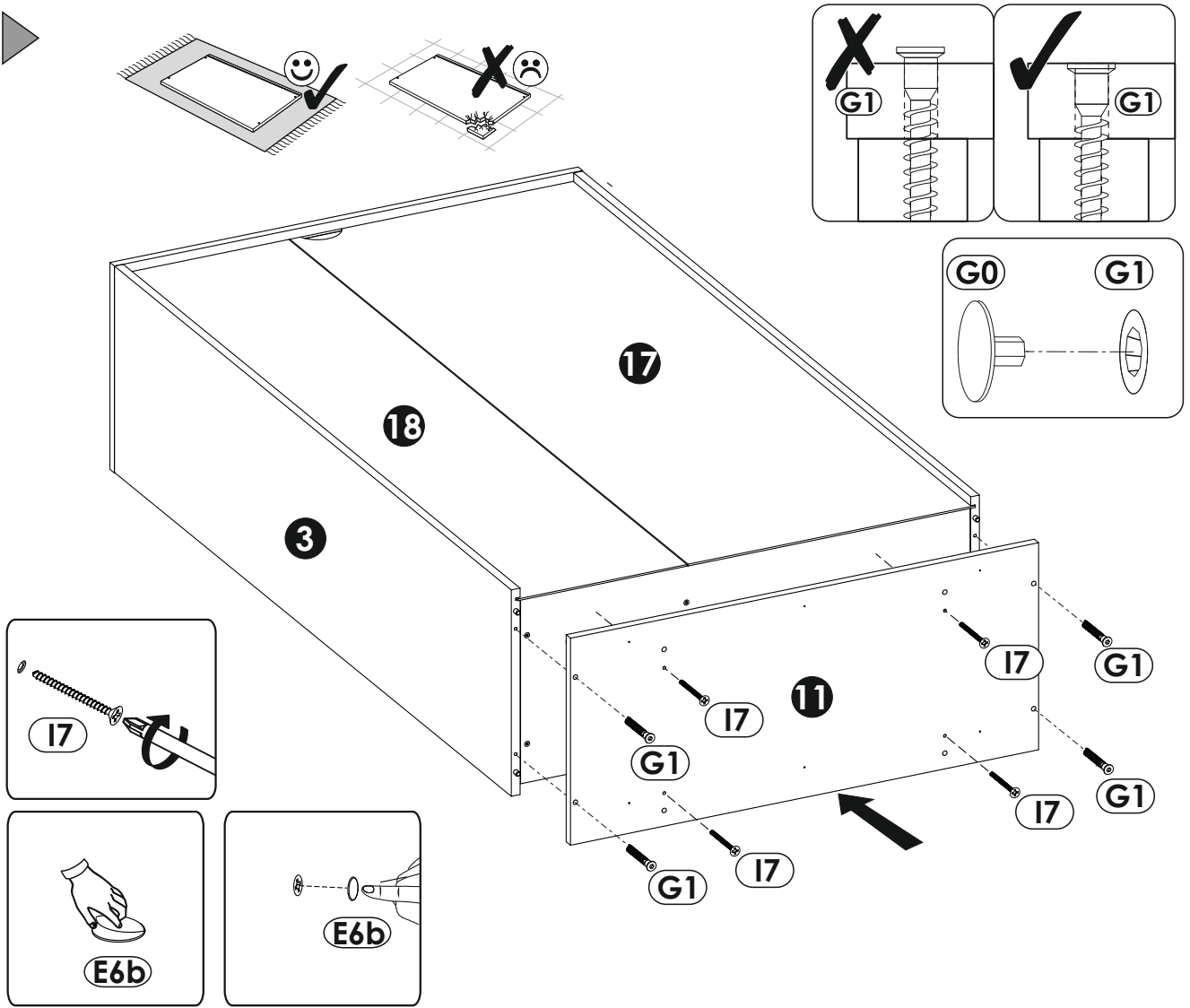
11 ▶



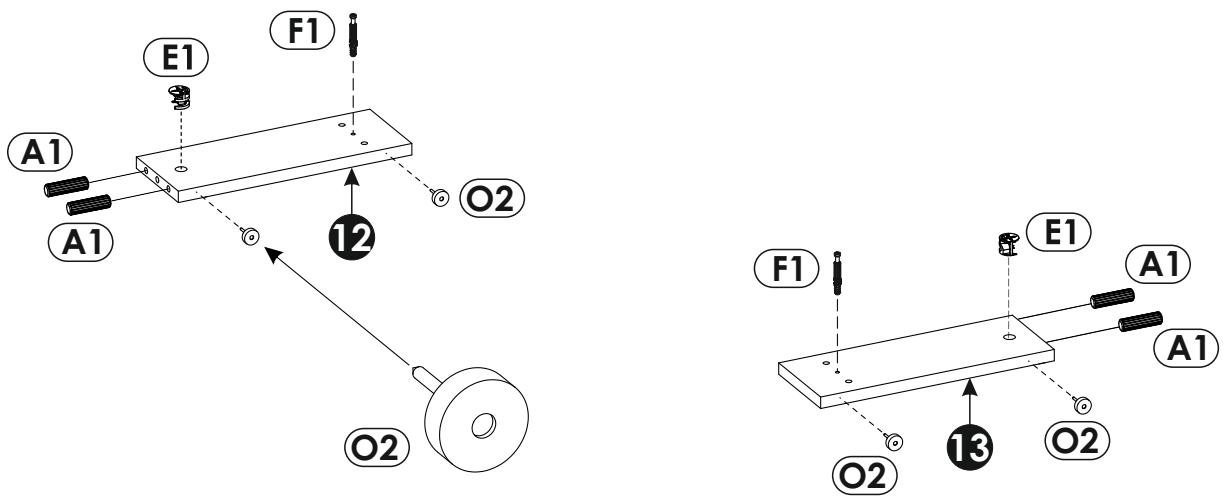
12 ▶



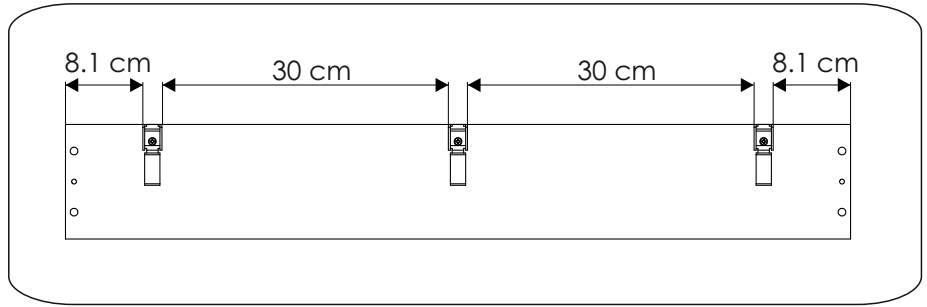
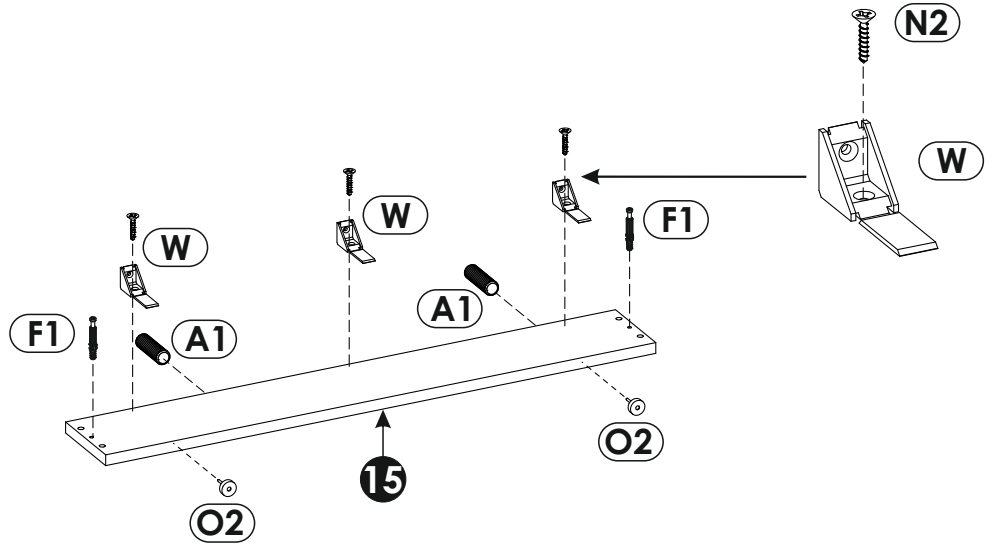
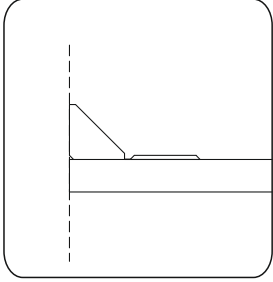
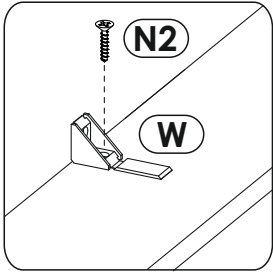
13 ▶



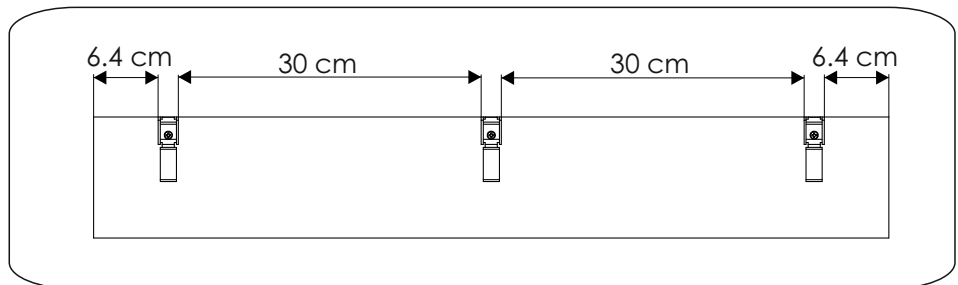
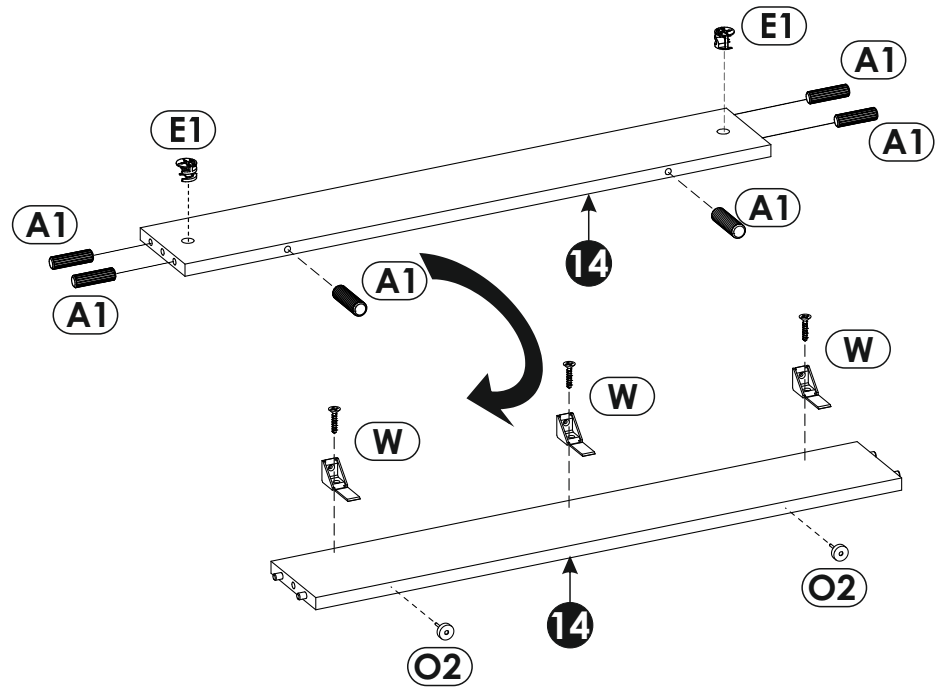
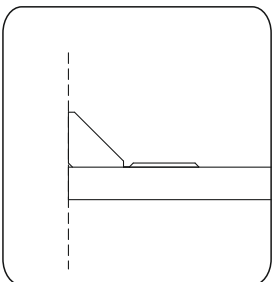
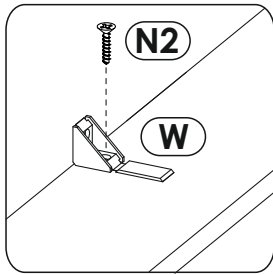
14 ▶



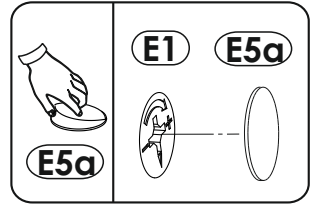
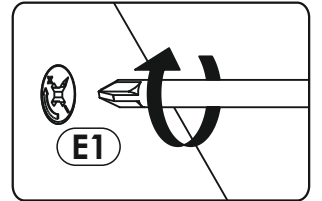
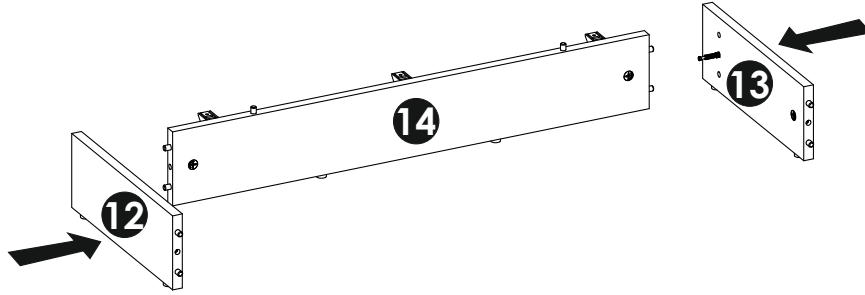
15 ▶



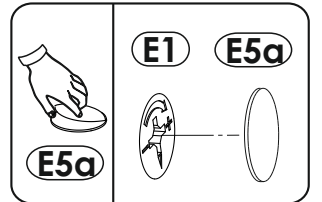
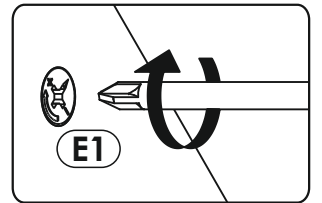
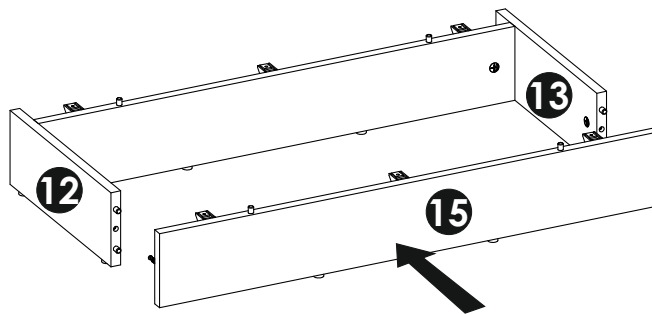
16 ▶



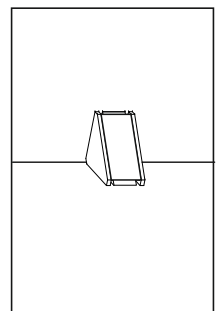
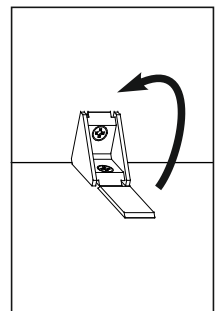
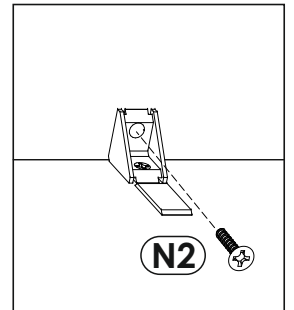
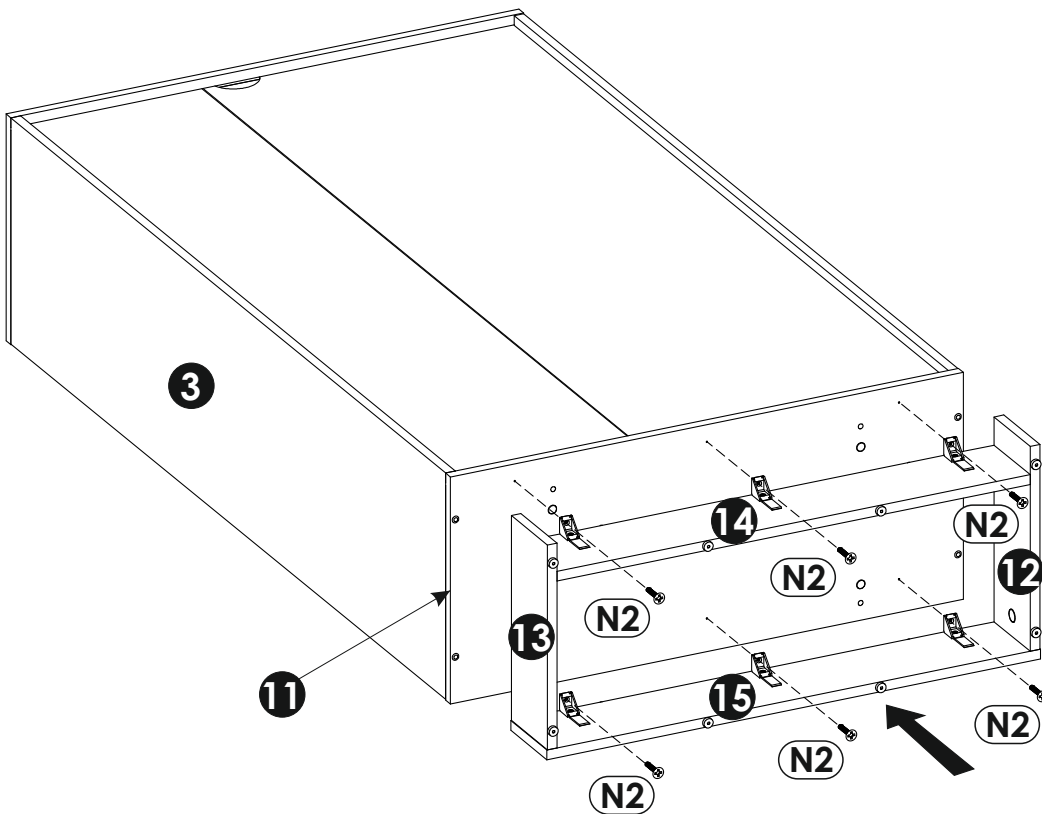
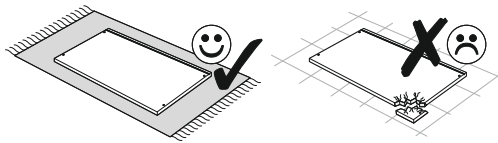
17 ▶



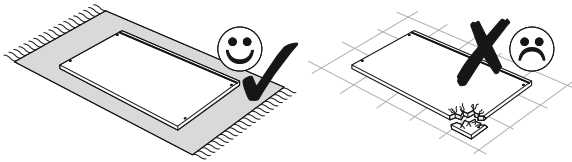
18 ▶



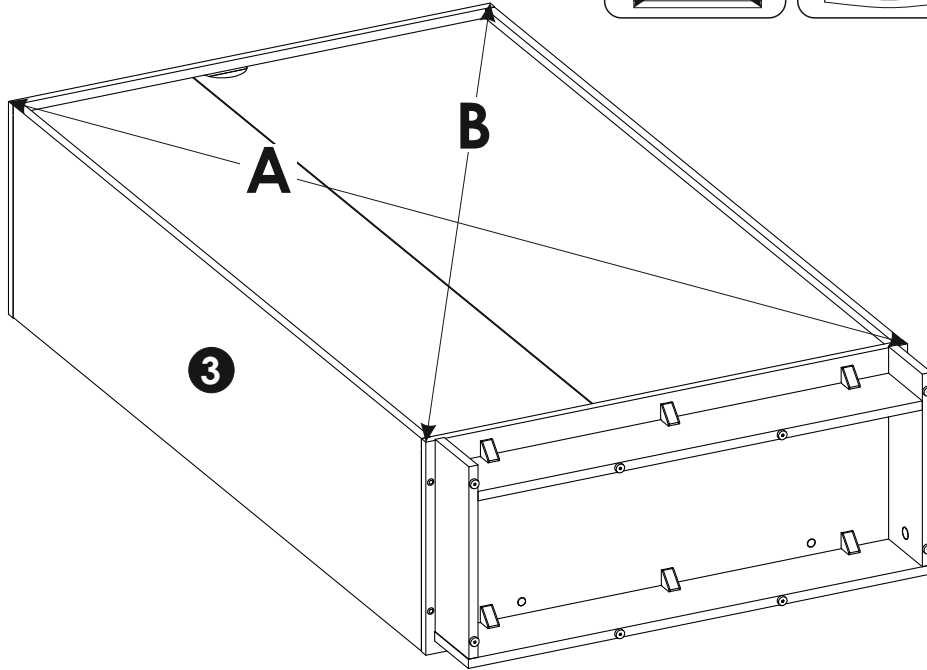
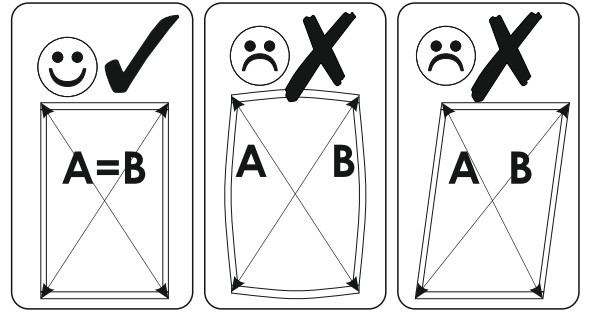
19 ▶



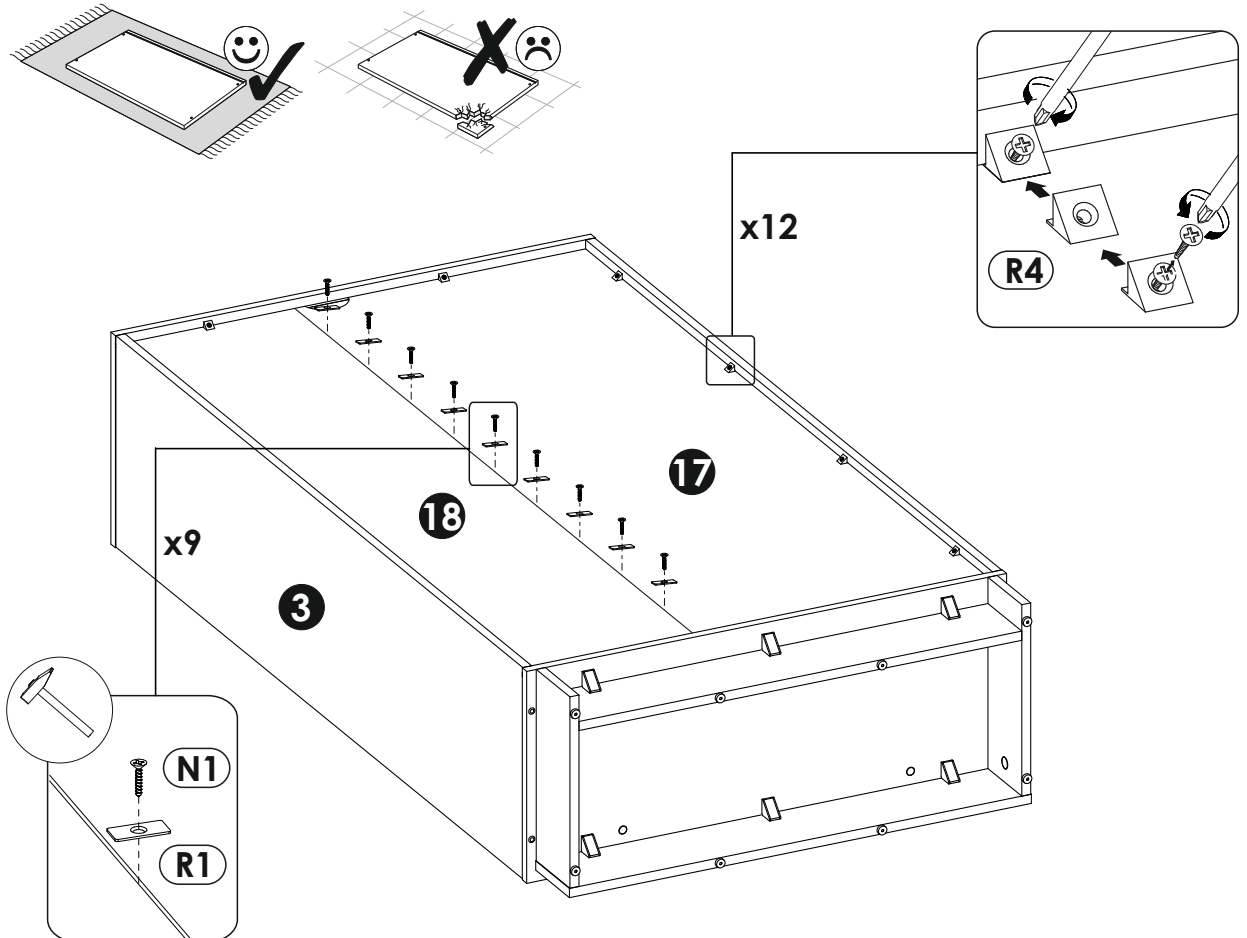
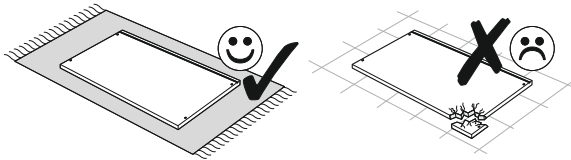
20 ▶

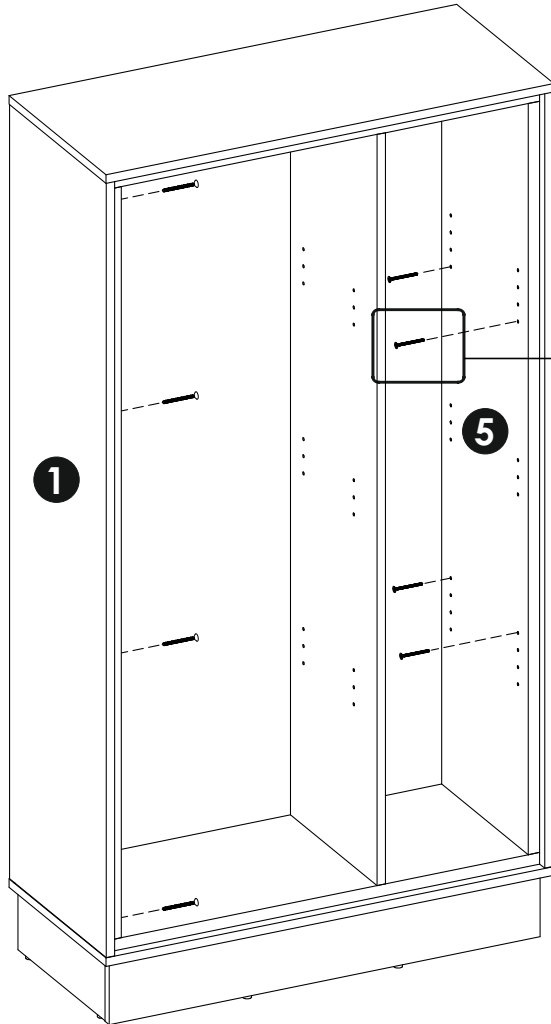


A=B

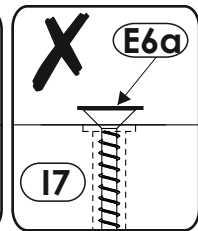
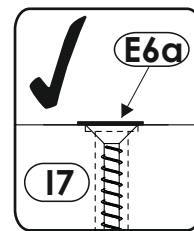
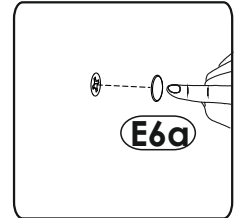
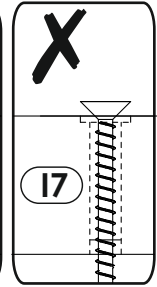
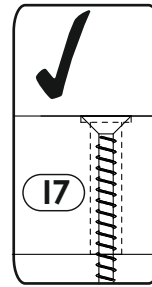
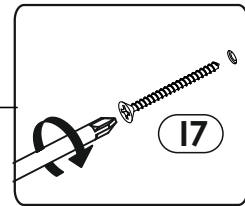


21 ▶

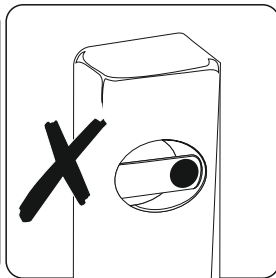
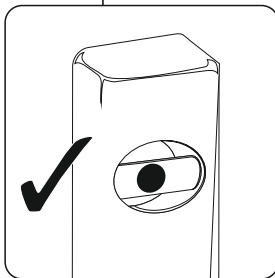
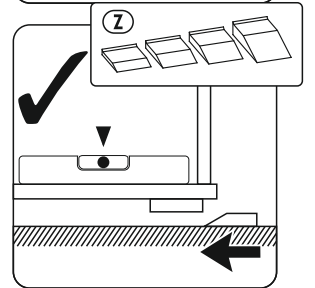
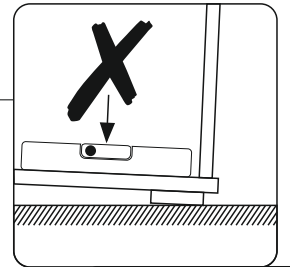
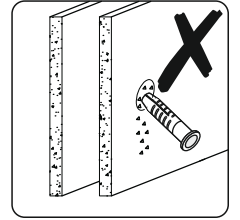
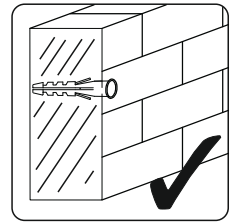
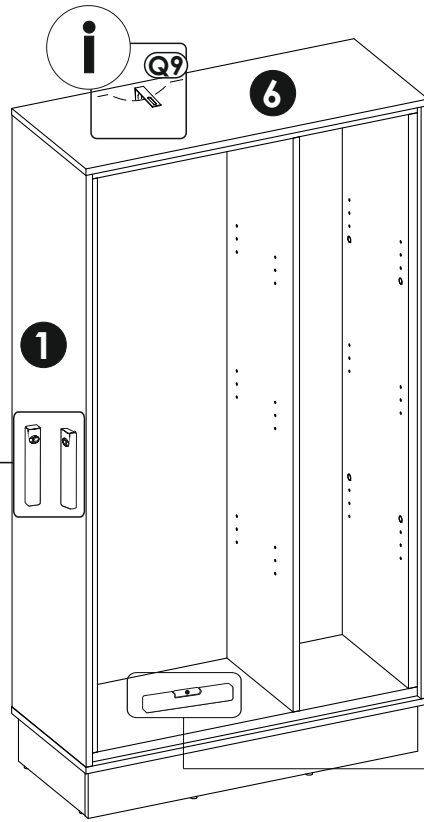
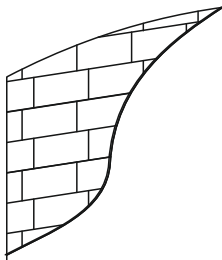




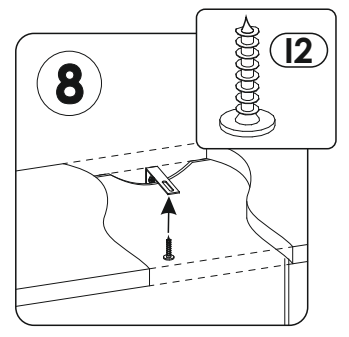
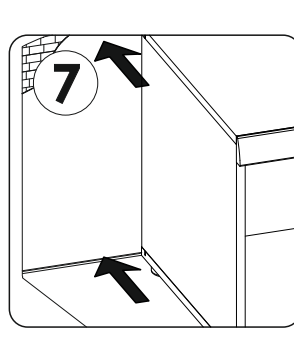
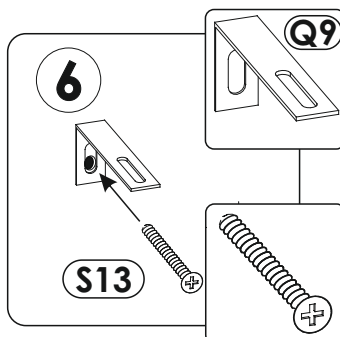
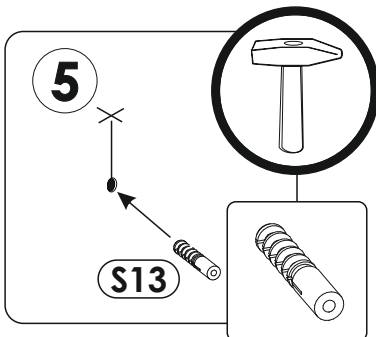
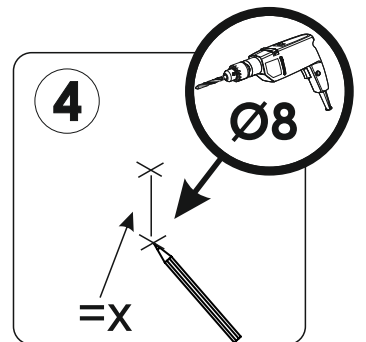
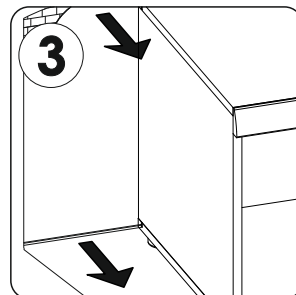
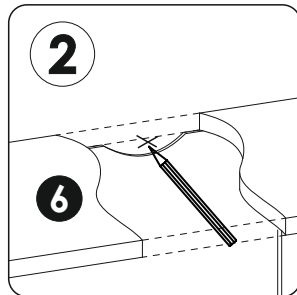
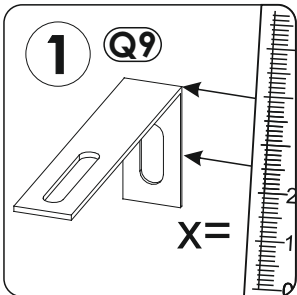
x8



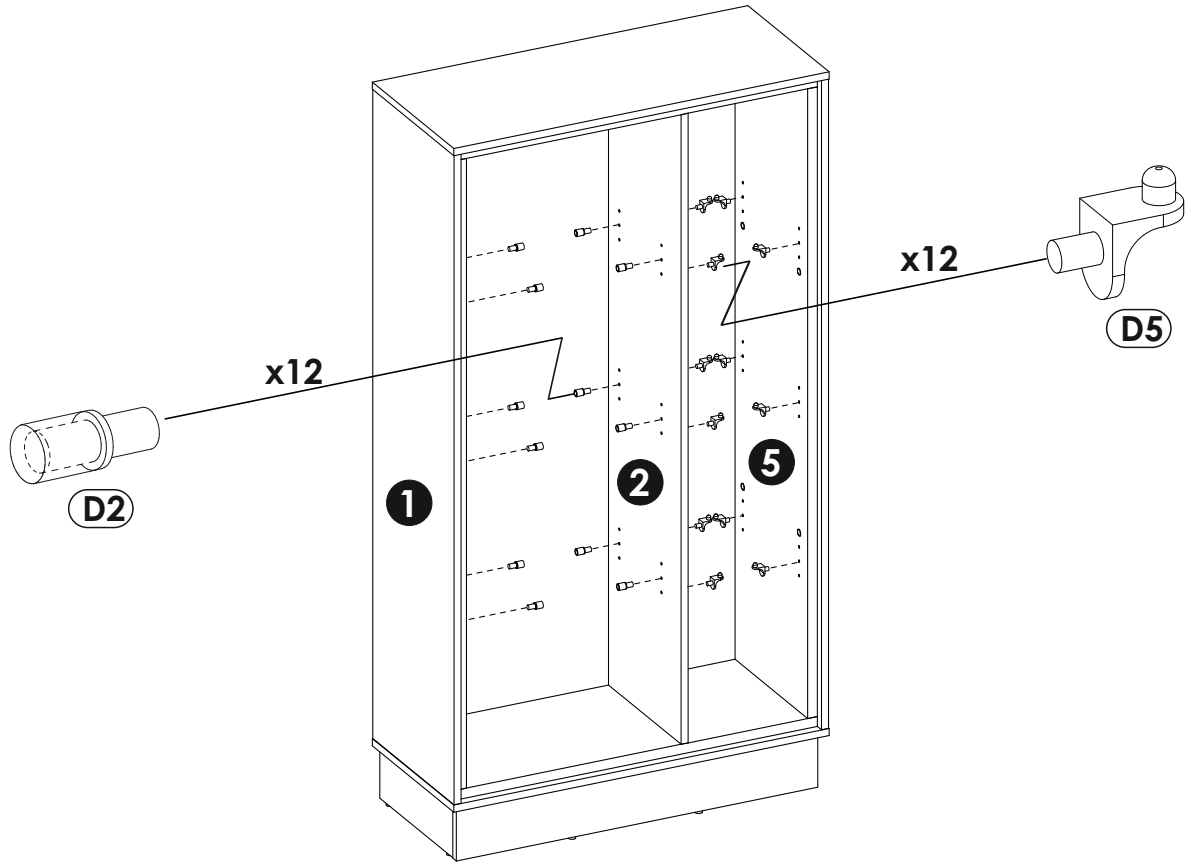
23 ▶



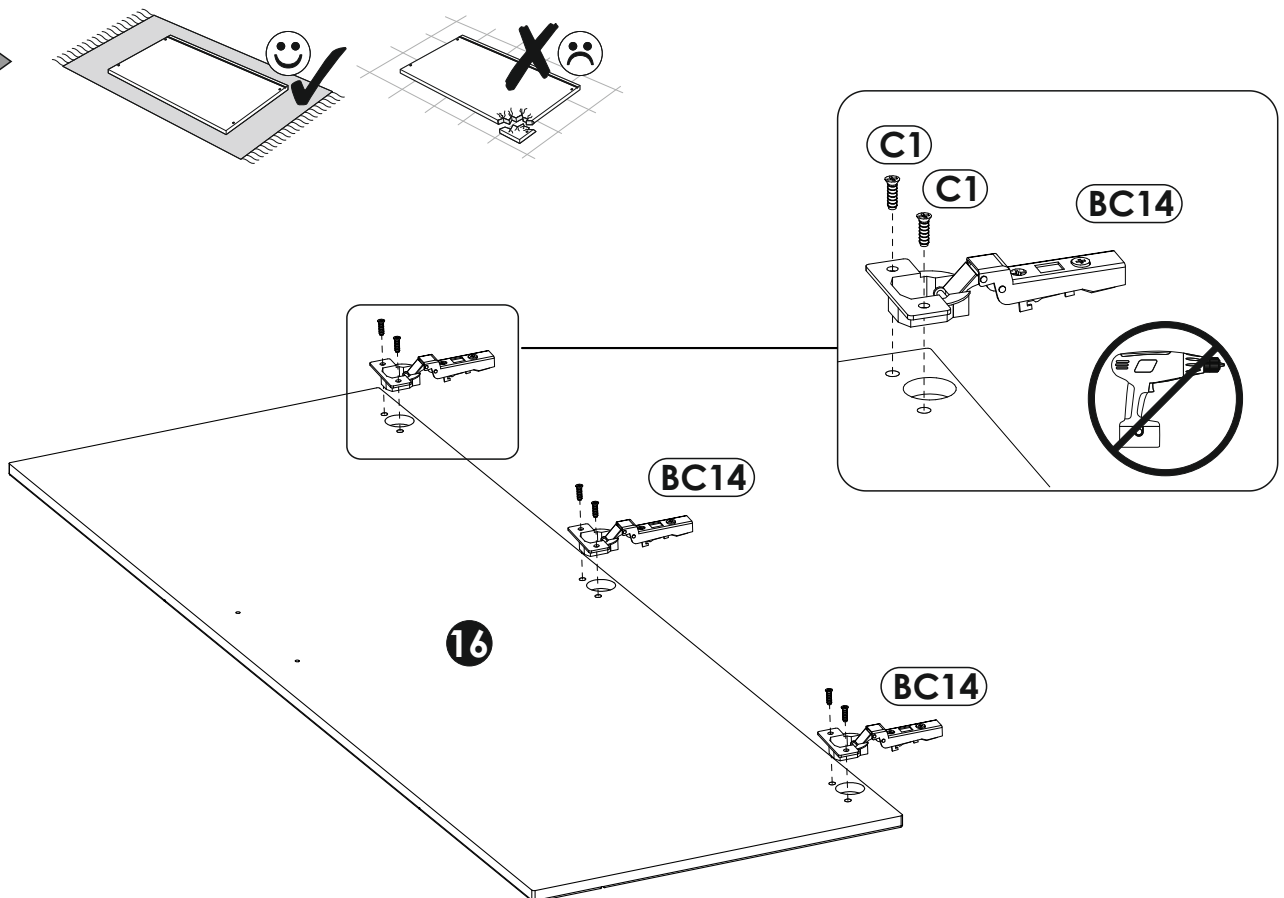
i



24▶



25▶



26 ▶

