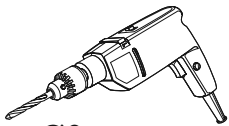
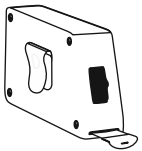
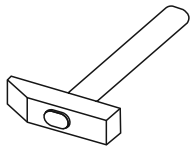
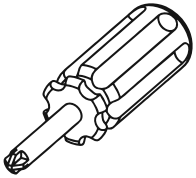
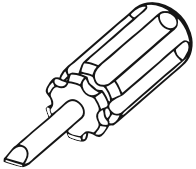
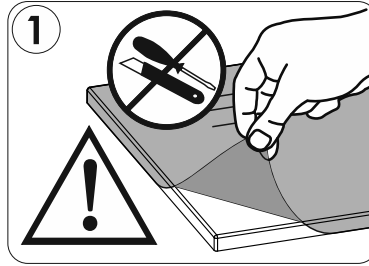
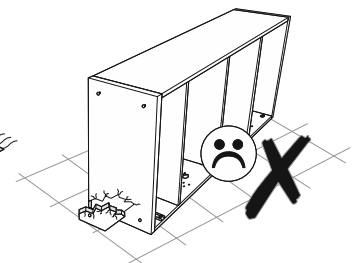
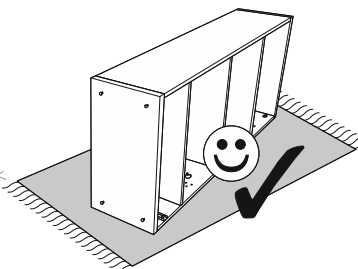
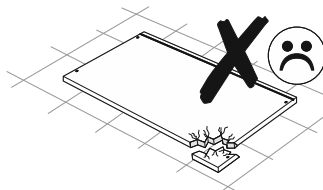
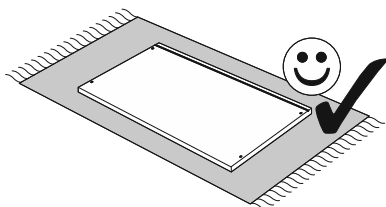
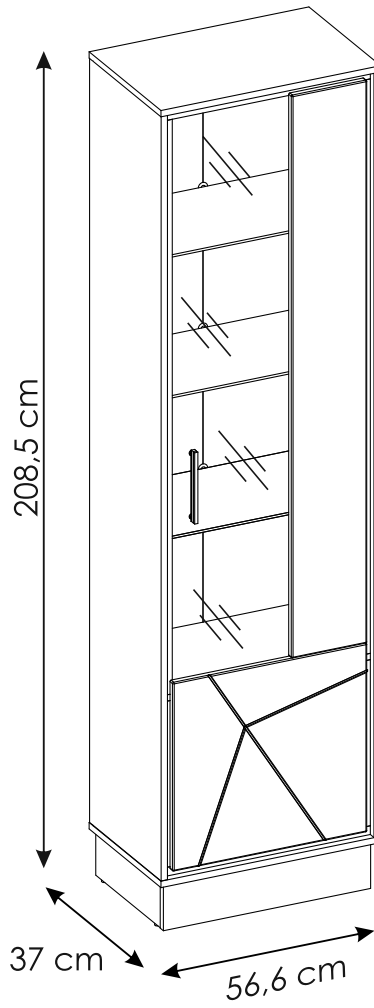
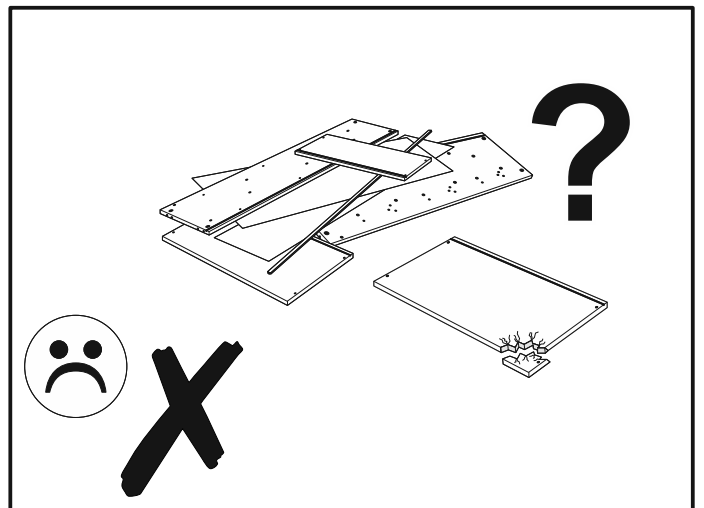
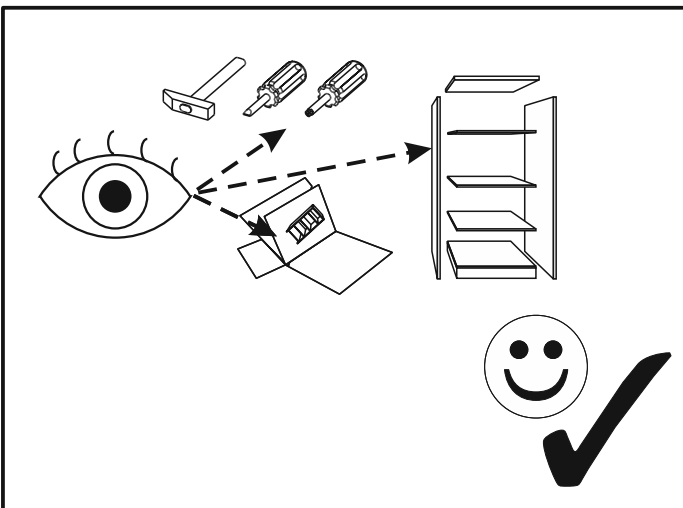
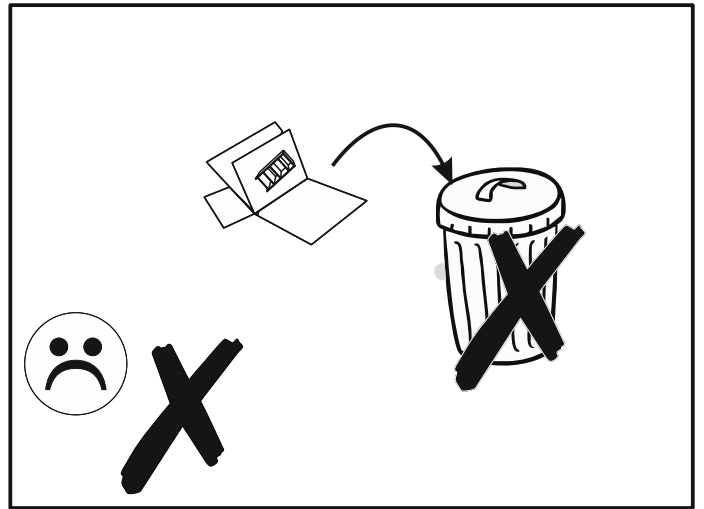
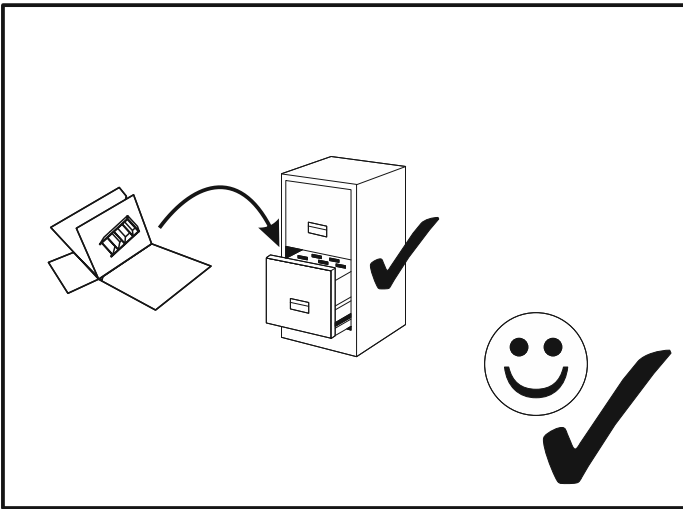
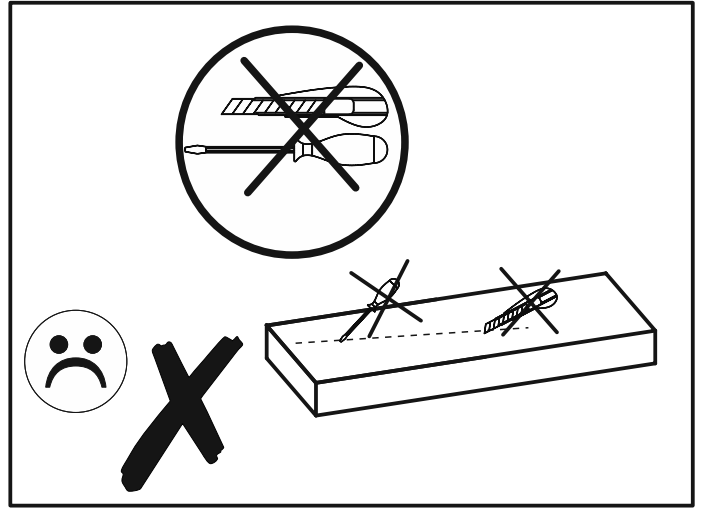
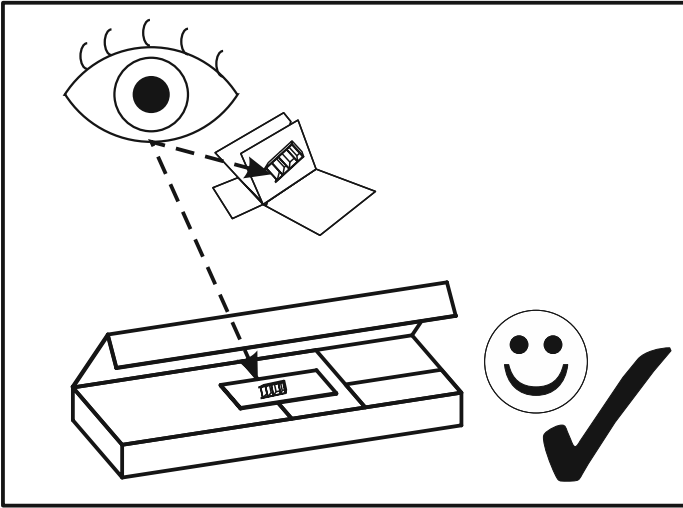


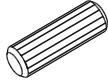
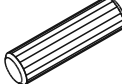
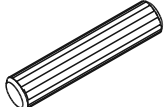
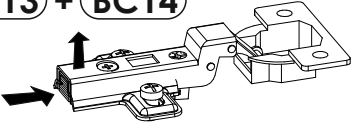






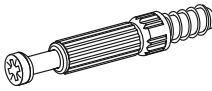
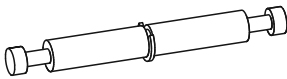

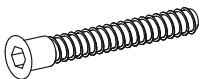




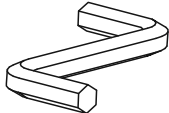
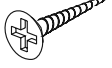
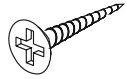
90 MIN

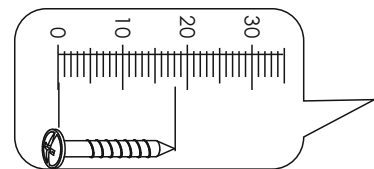
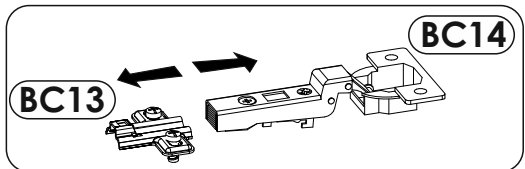
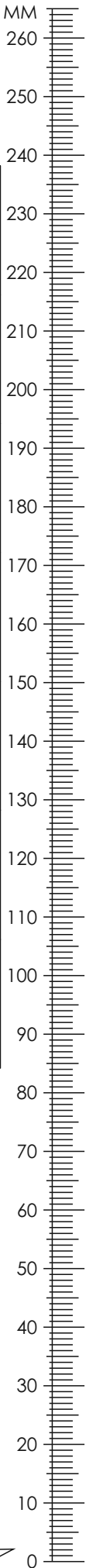


Ø8

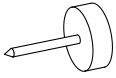

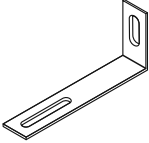

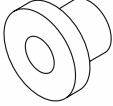
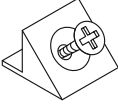
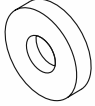

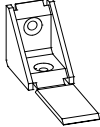
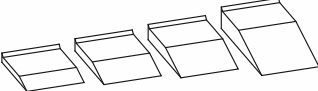




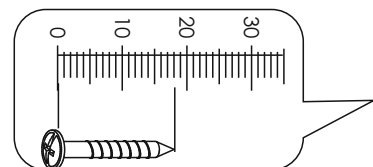
A0 8 x 24 mm x8 	A1 8 x 35 mm x32 	A2 8 x 45 mm x2 
BC13 + BC14 x5 	C1 4 x 13 mm x10 	D2 x16 
E1 15 x 12 mm x16 	E5a 20 mm x8 	E5b 20 mm x4 
E6 14 mm x27 	F1 6 x 34 mm x12 	F2 7 x 58 x2 
G0 x4 	G1 7 x 50 mm x12 	H1 L - 180 x1 
I1 3,5 x 16 mm x2 	I2 4 x 16 mm x4 	I7 4 x 35mm x19 
M x1 	N1 3 X 16 mm x5 	N2 3,5 X 16 mm x8 

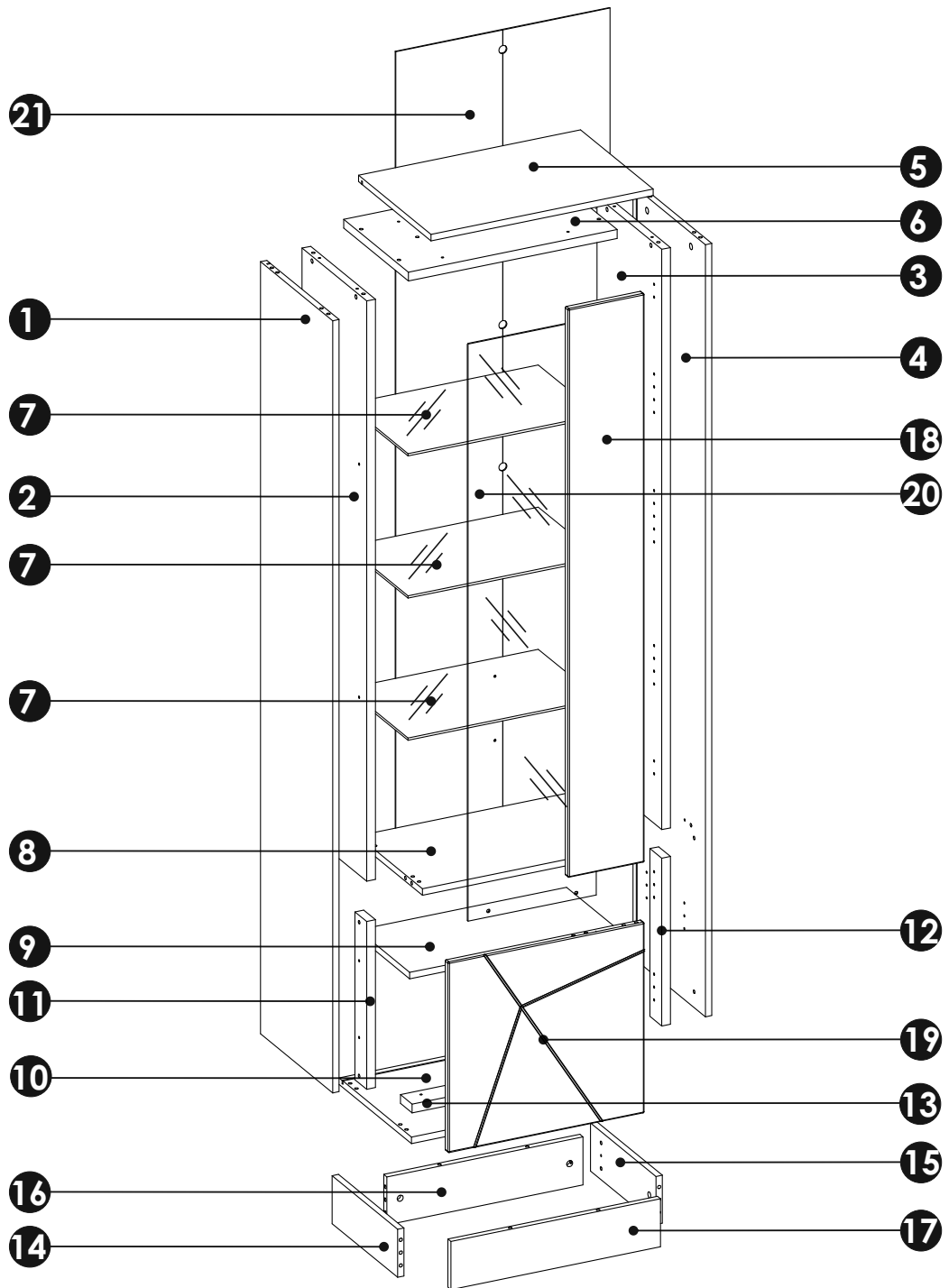
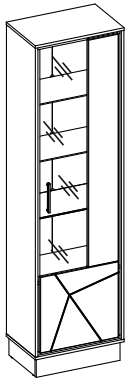


MM
260
250

O2  x4	P13  x4	Q9  x1
R2  x4	R3  x3	R4  x12
R16  x2	S13 5 x 50 mm  x1	W  x4
Z  x1		

90
80
70
60
50
40
30
20
10
0

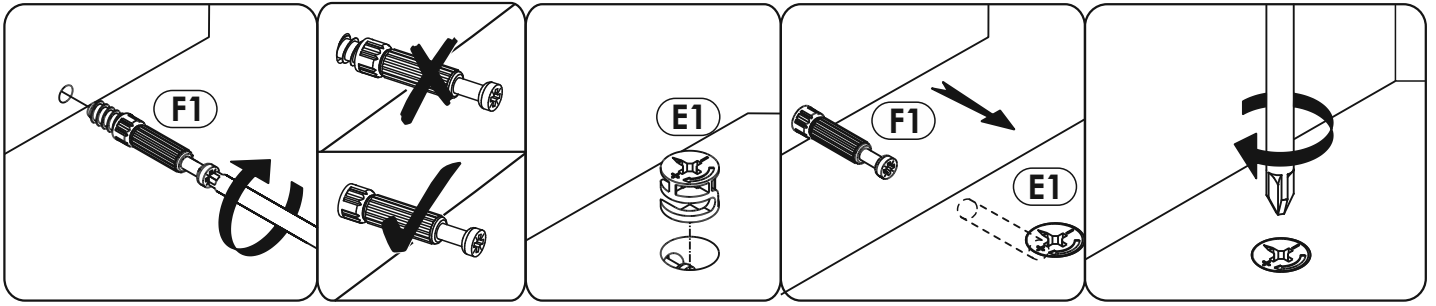




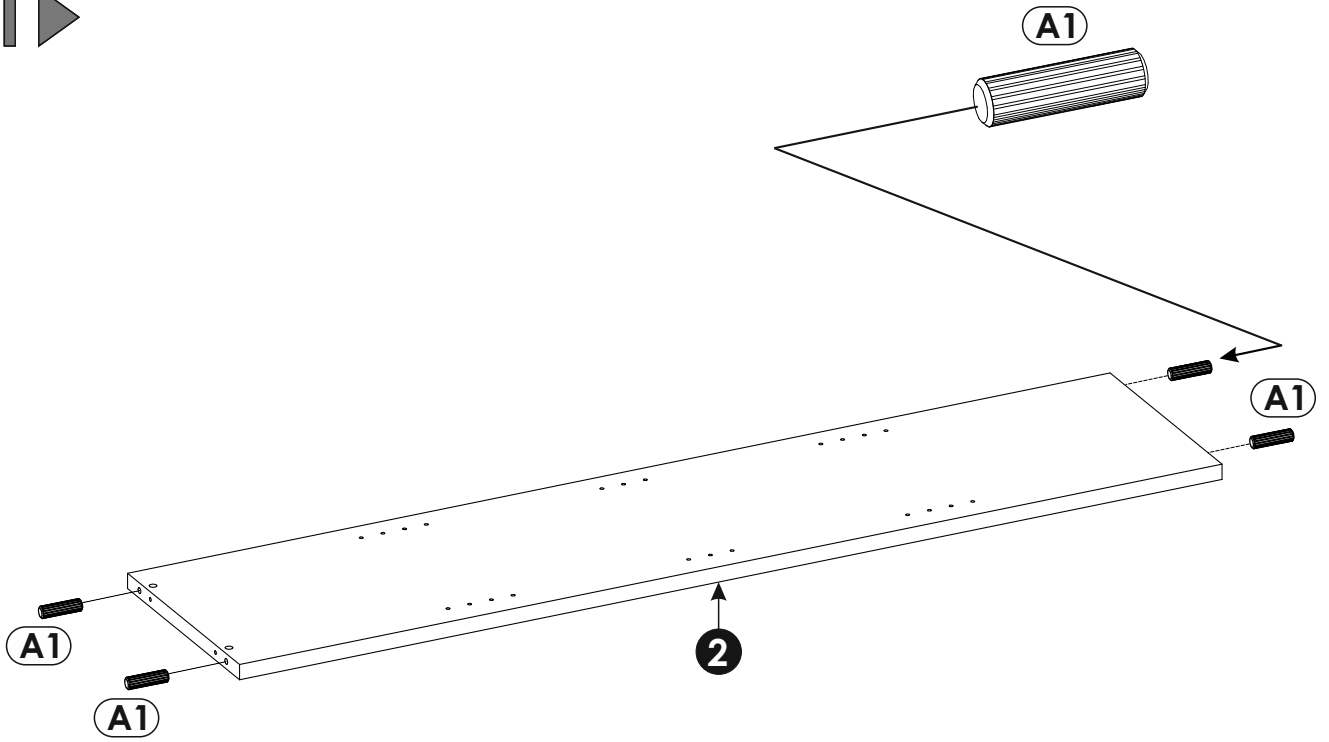
1	1928	369	16 x1	3/3
2	1449	330	22 x1	2/3
3	1449	330	22 x1	2/3
4	1928	369	16 x1	3/3
5	566	370	16 x1	1/3
6	532	330	22 x1	1/3
7	487	310	6 x3	1/3

8	532	330	16 x1	1/3
9	532	265	16 x1	1/3
10	566	370	16 x1	1/3
11	419	60	22 x1	1/3
12	419	60	22 x1	1/3
13	532	60	22 x1	1/3
14	334	120	16 x1	3/3

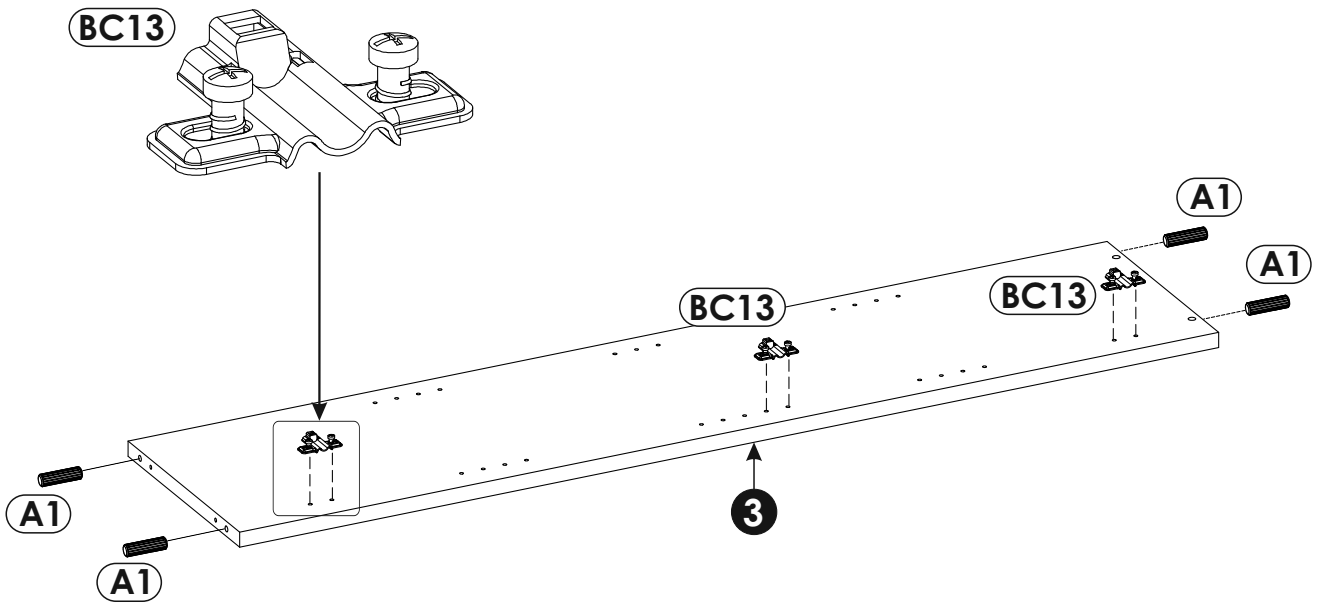
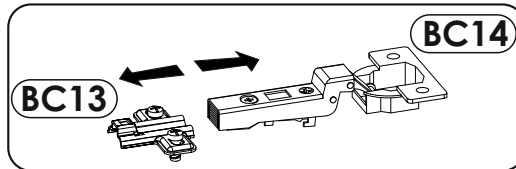
15	344	120	16 x1	3/3
16	500	120	16 x1	1/3
17	534	120	16 x1	1/3
18	1420	194	16 x1	3/3
19	476	500	16 x1	1/3
20	1441	327	4 x1	2/3
21	1942	546	3 x1	3/3



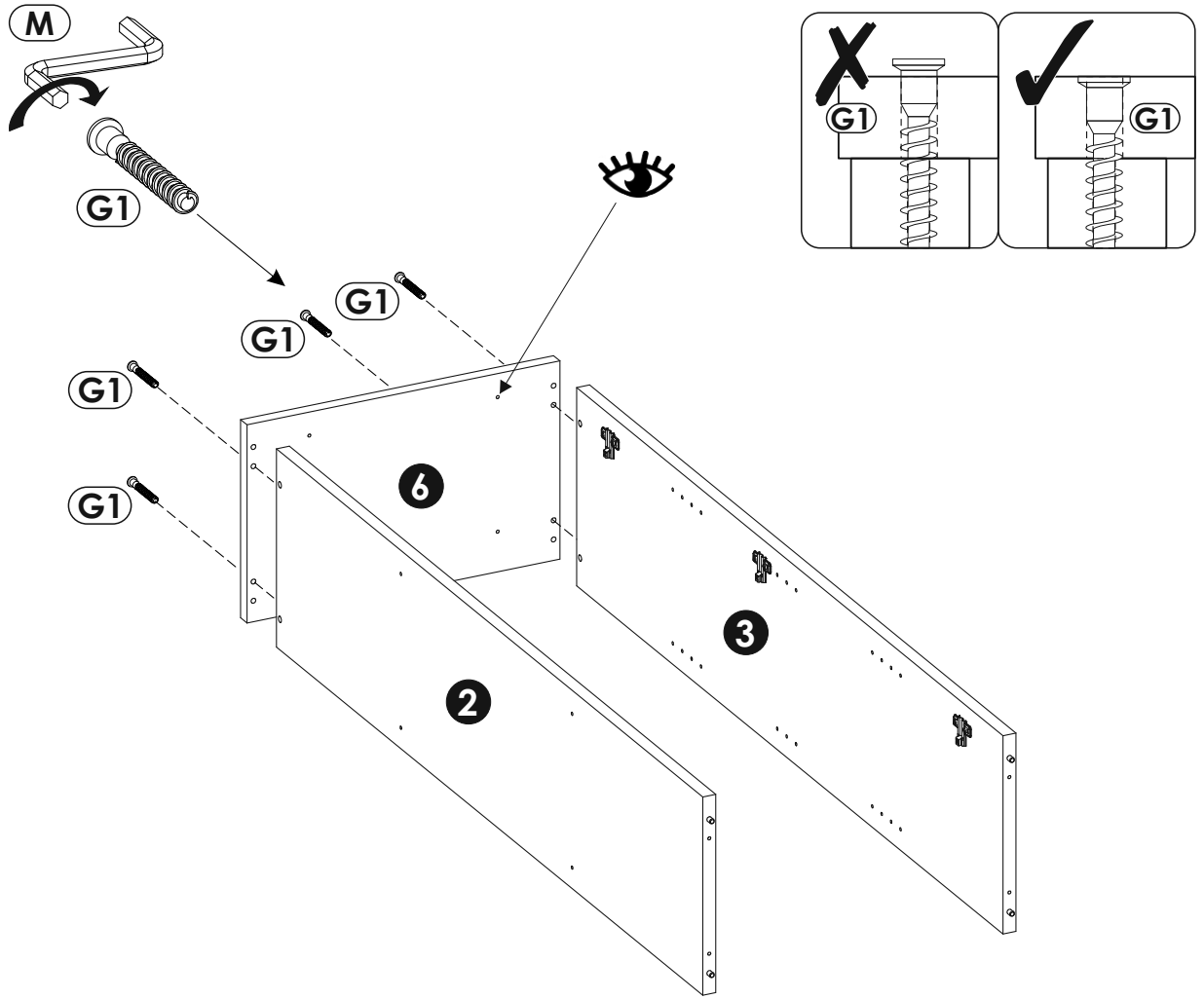
1 ▶



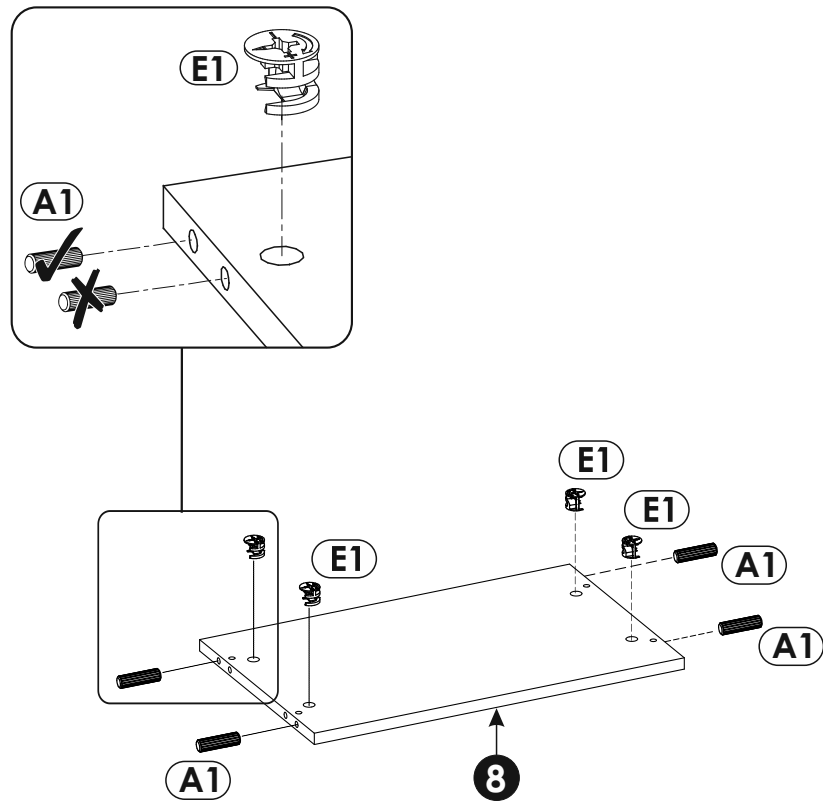
2 ▶



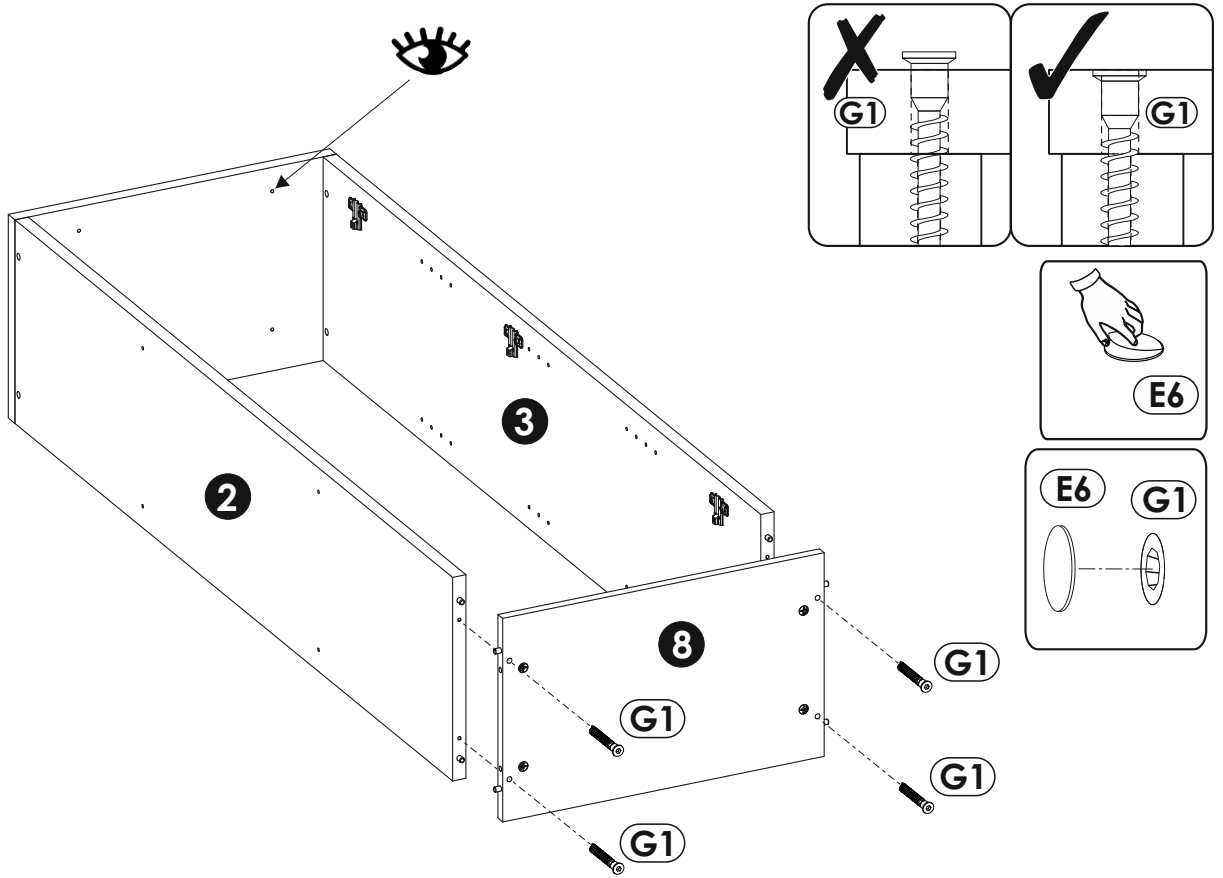
3 ▶



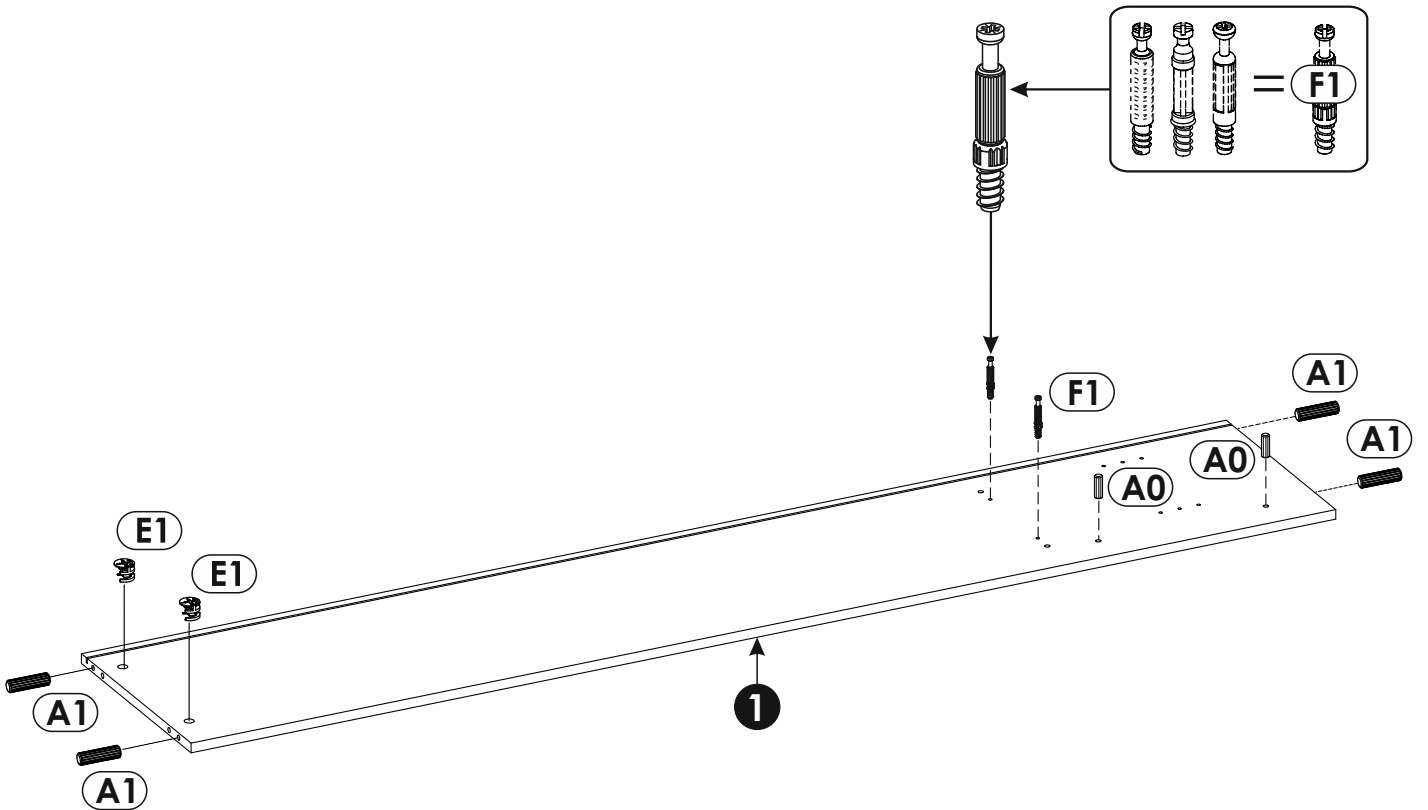
4 ▶



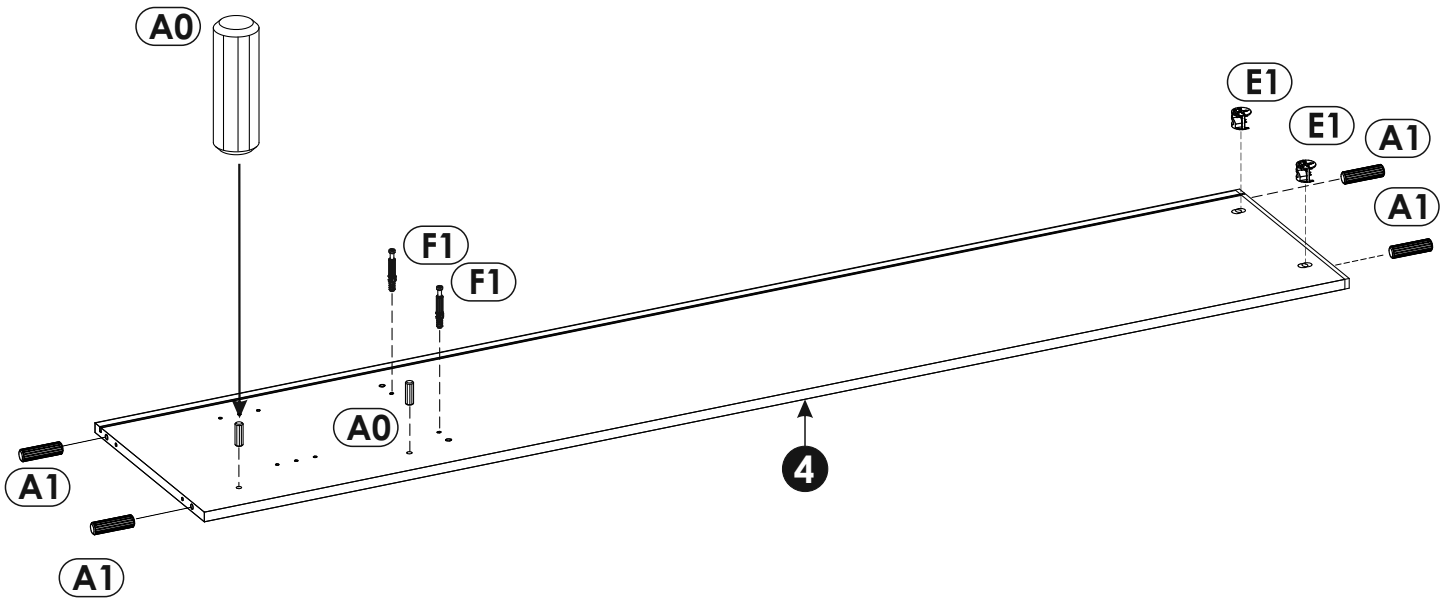
5 ▶



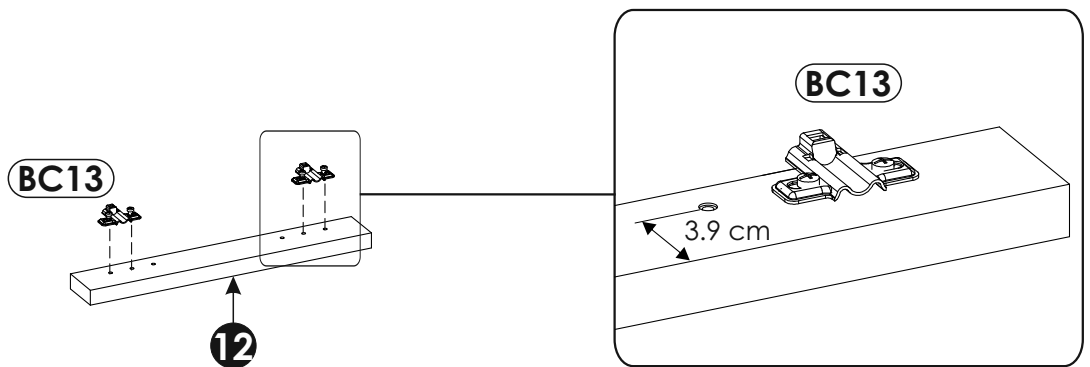
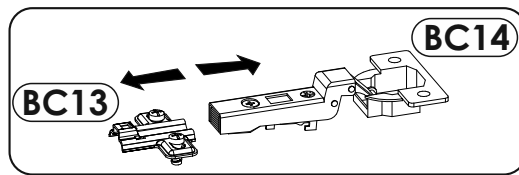
6 ▶



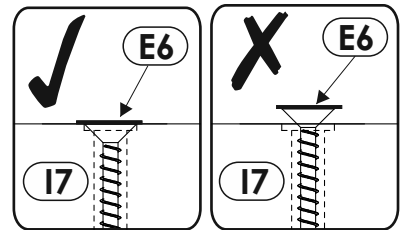
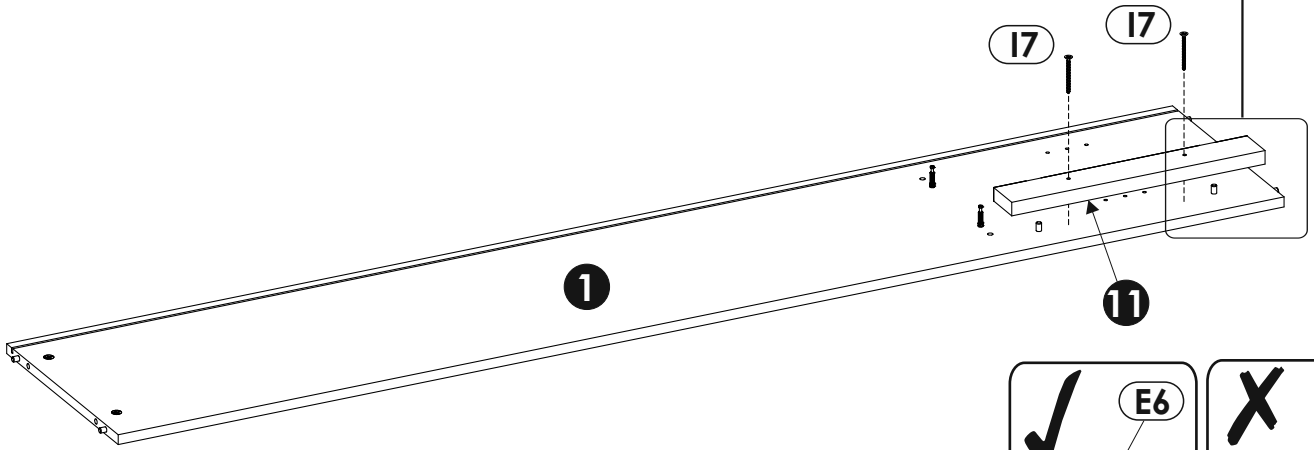
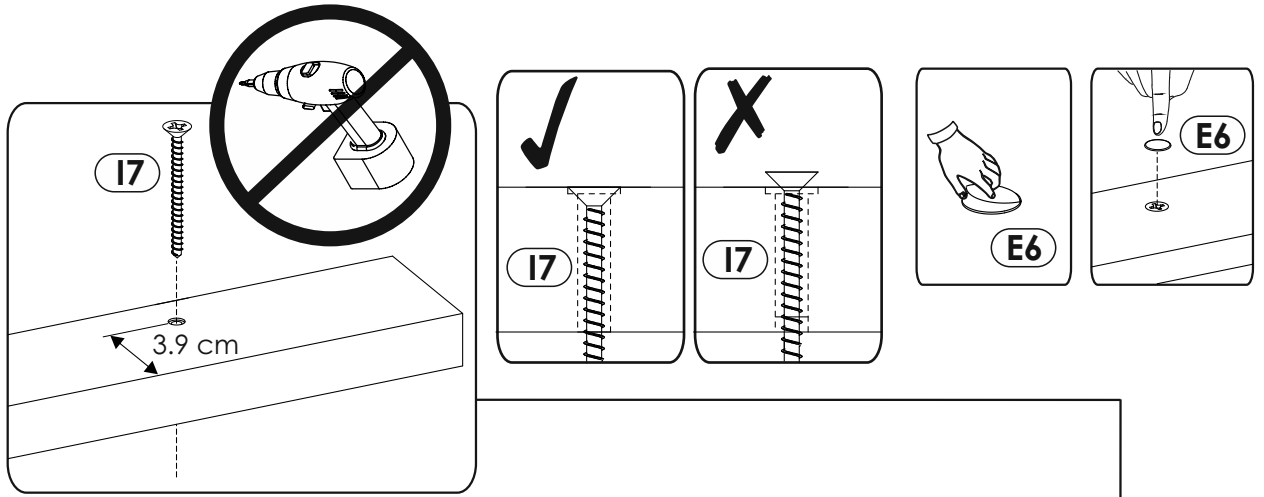
7 ▶



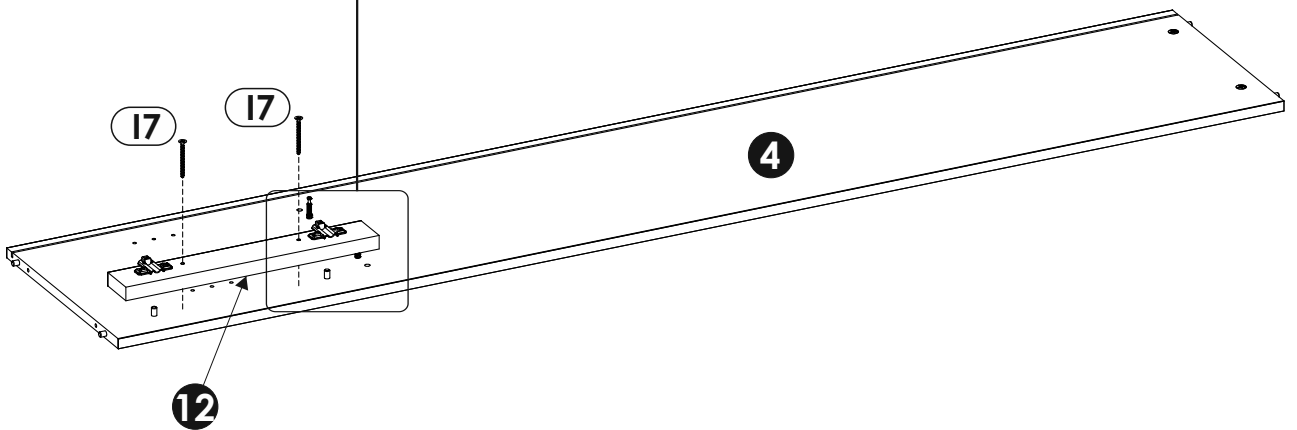
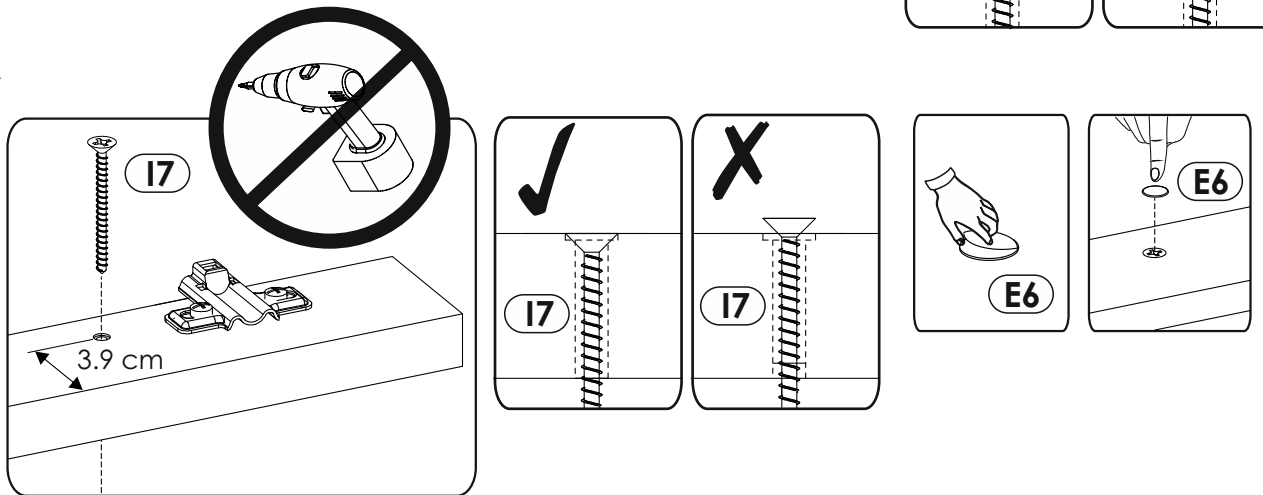
8 ▶



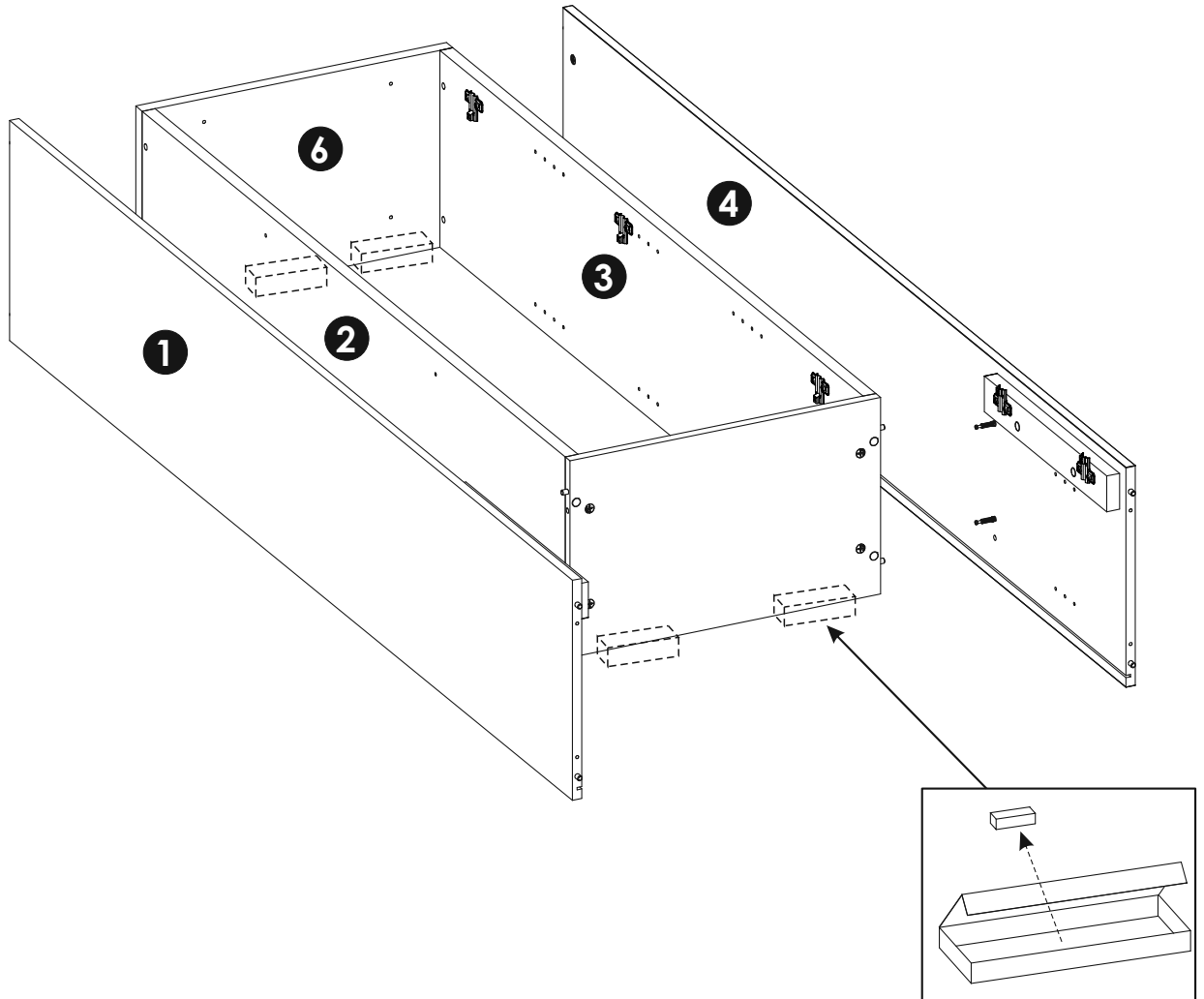
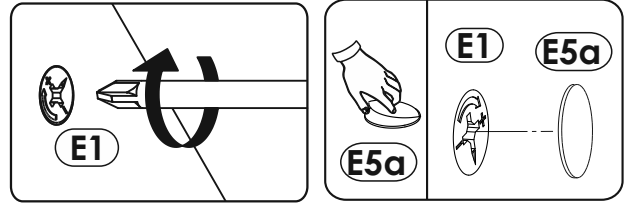
9 ▶



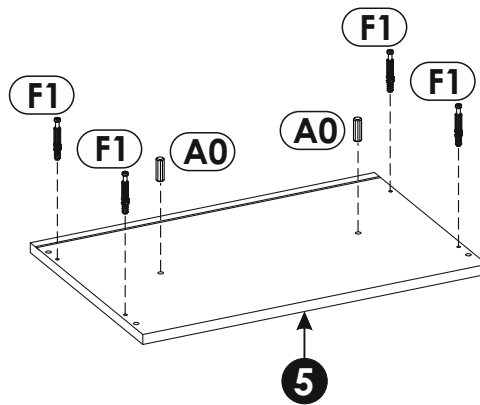
10 ▶



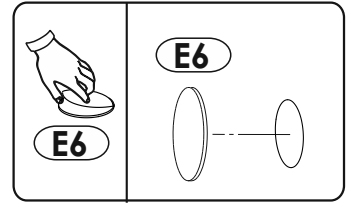
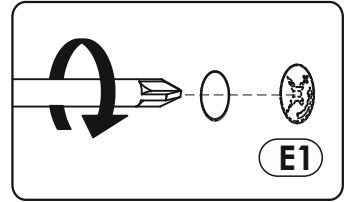
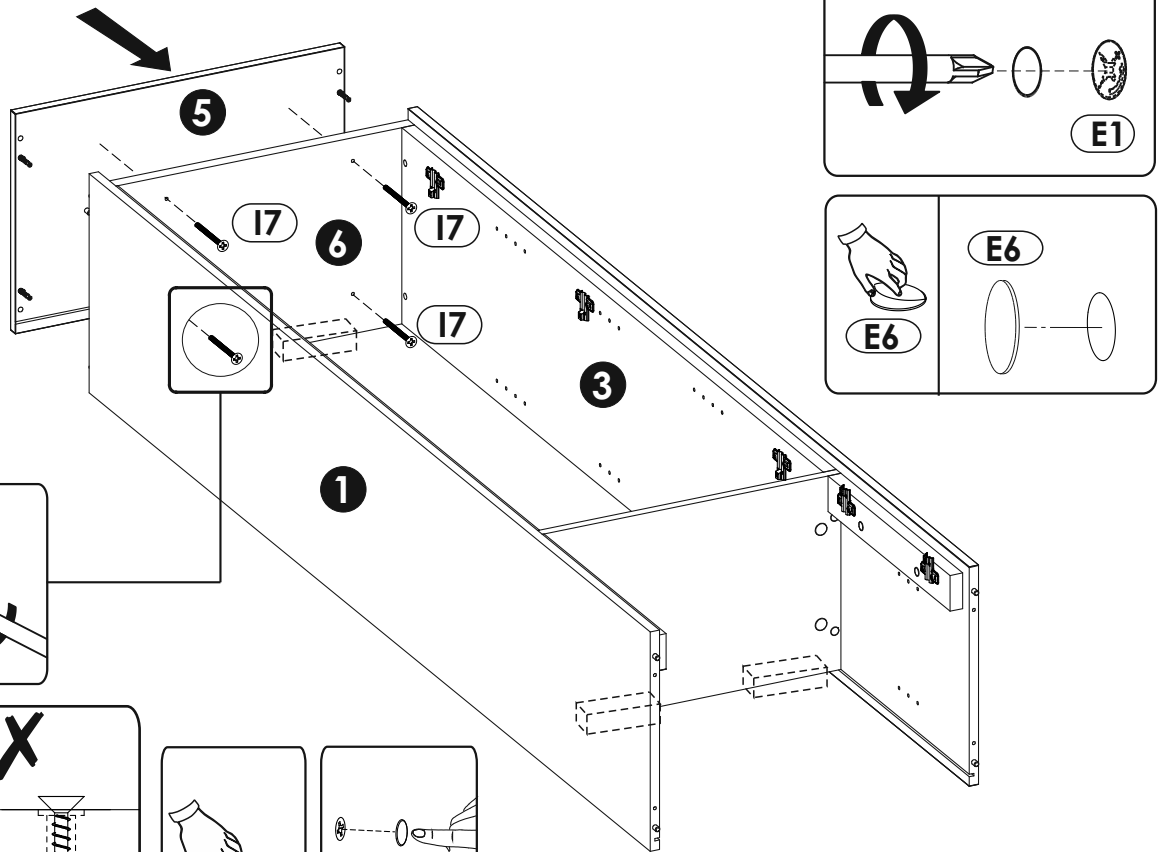
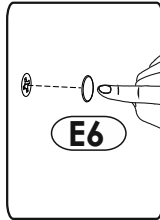
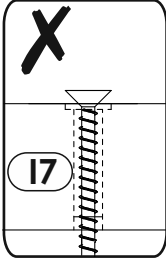
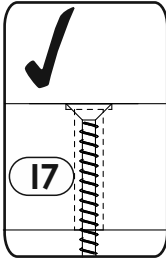
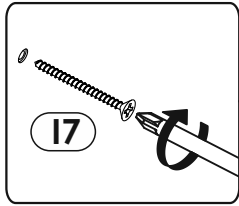
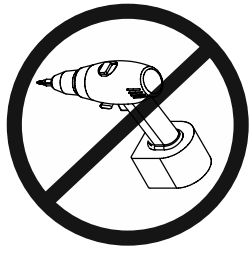
11▶



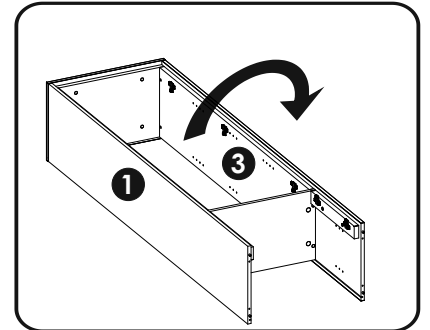
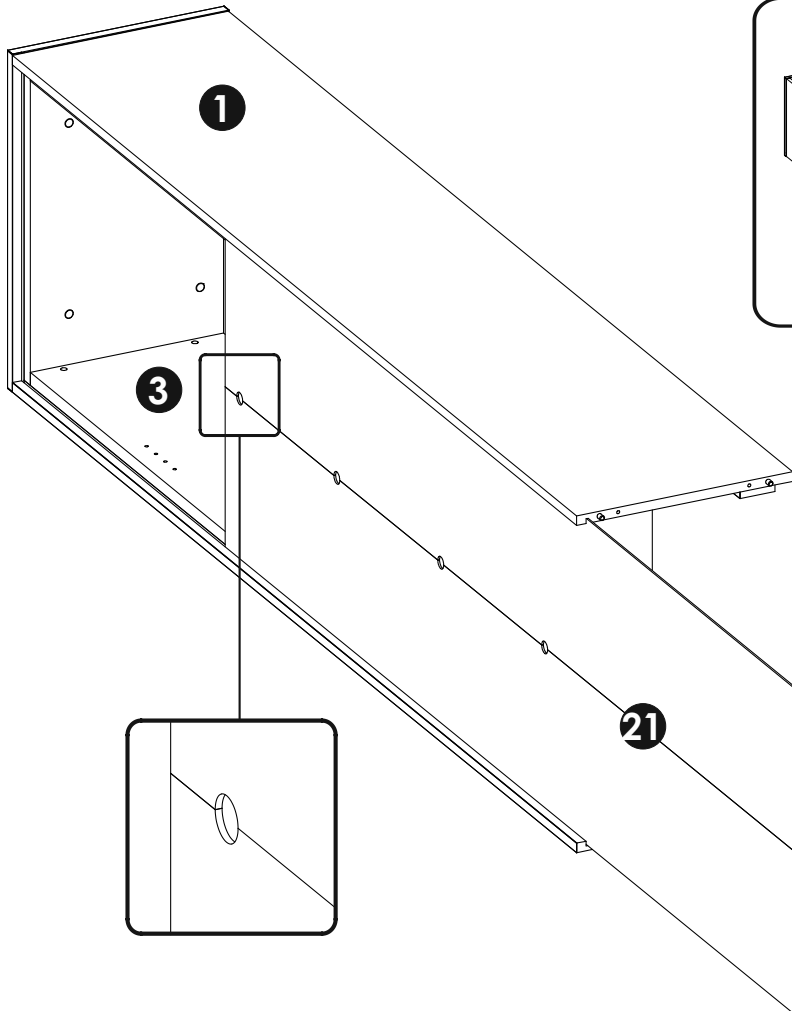
12▶



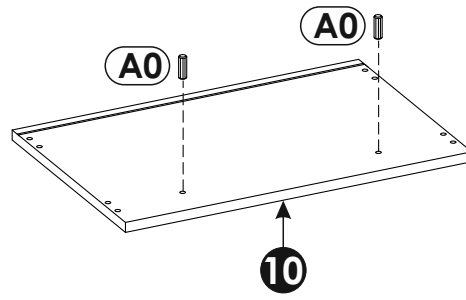
13 ▶



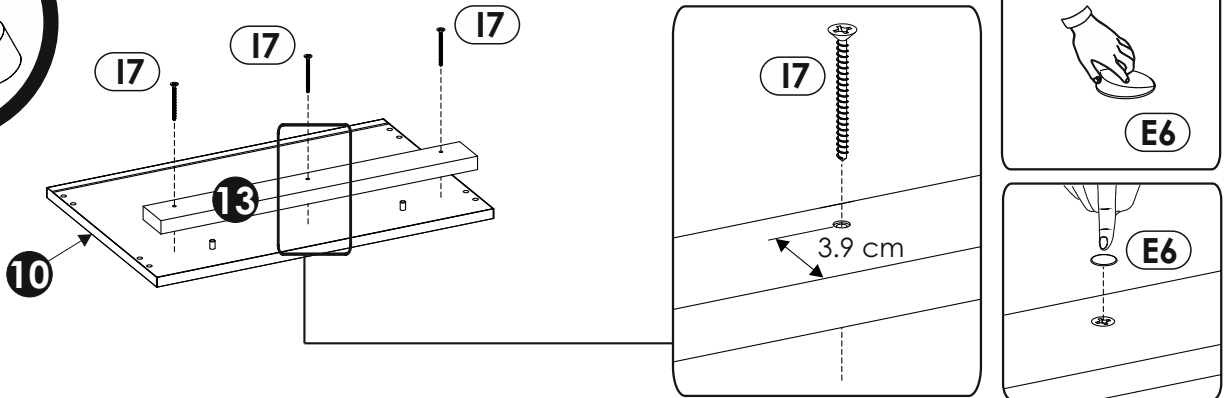
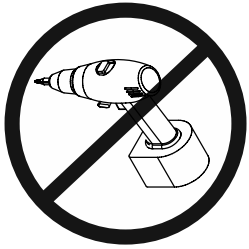
14 ▶



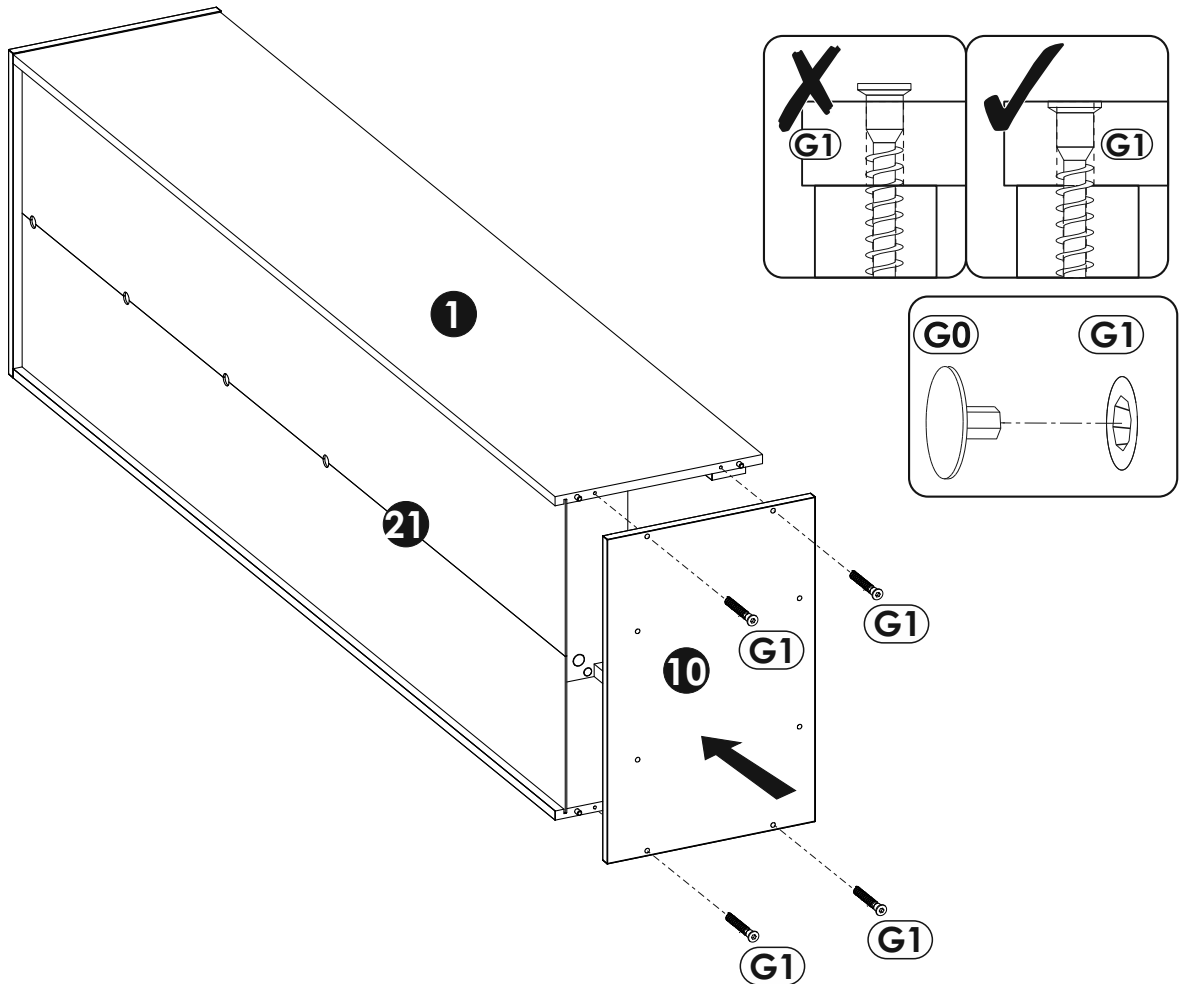
15 ▶



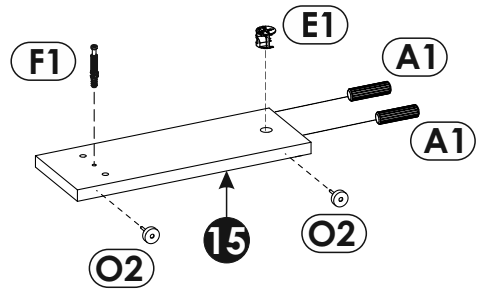
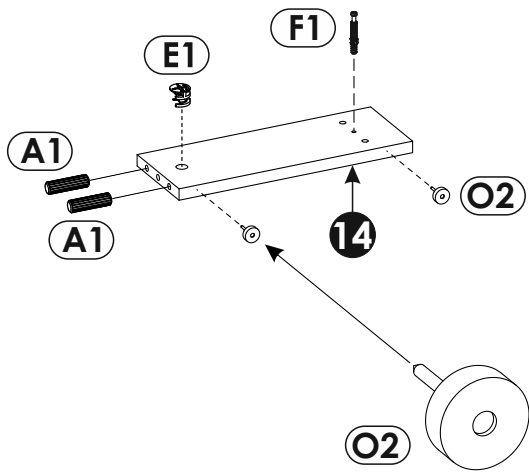
16 ▶



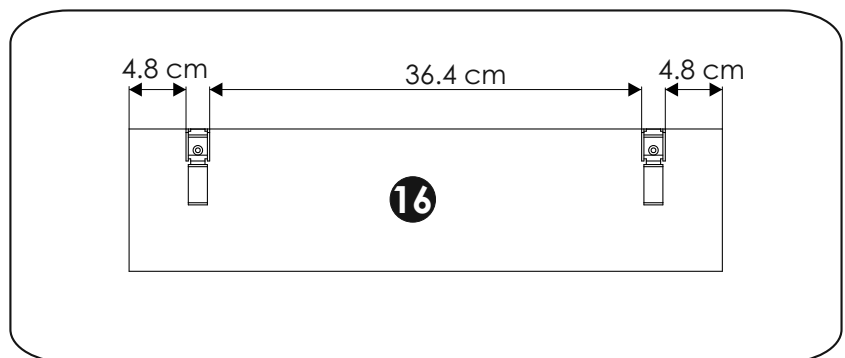
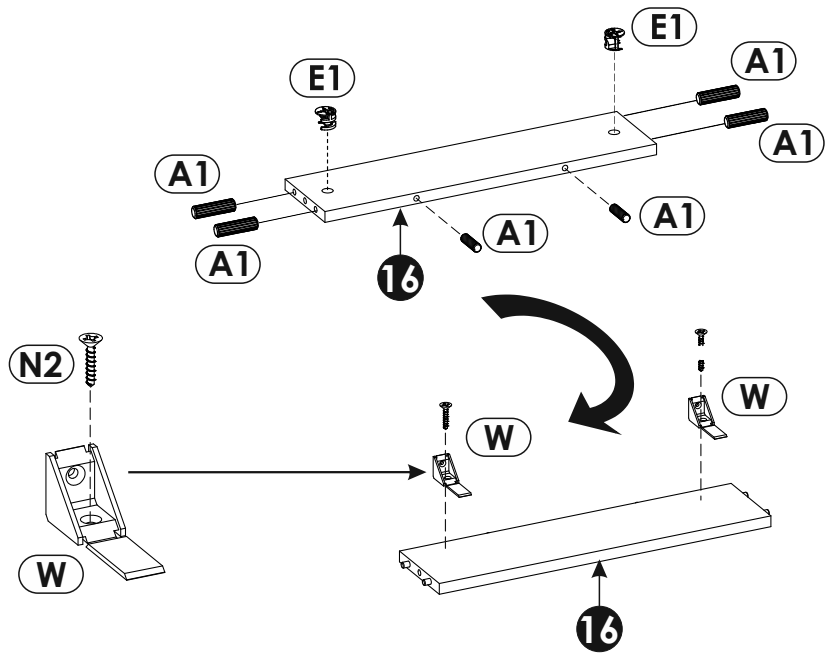
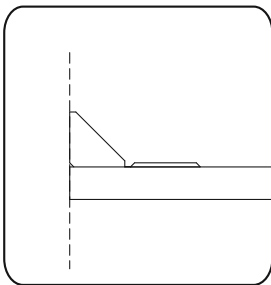
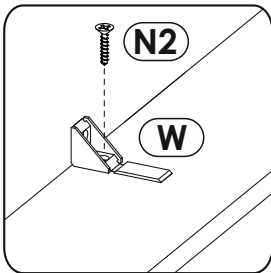
17 ▶



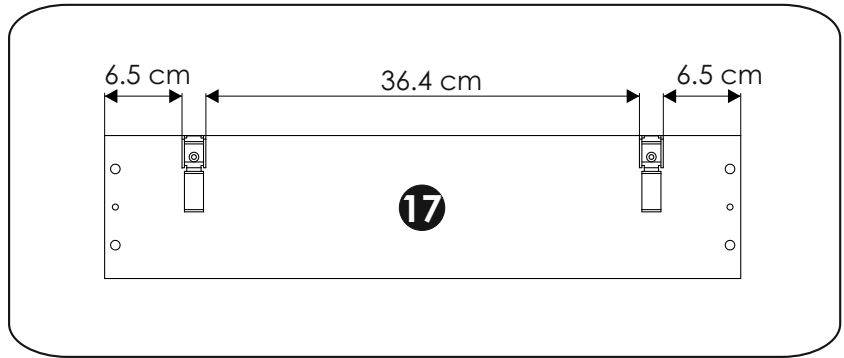
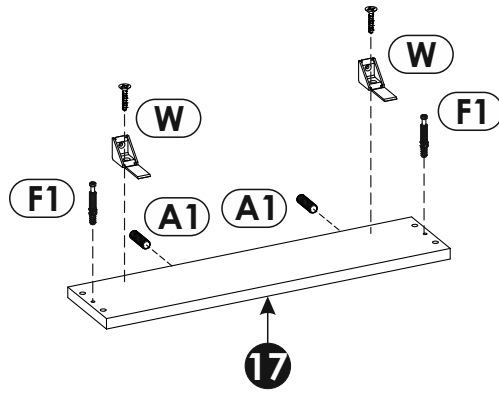
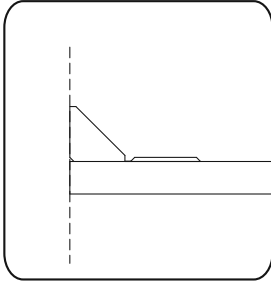
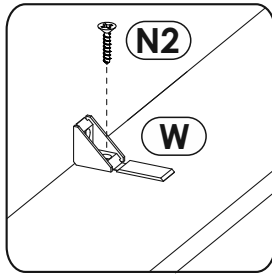
18 ▶



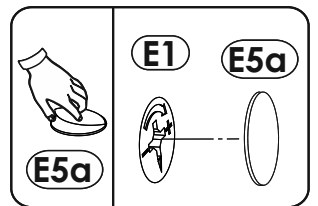
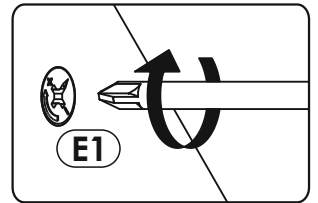
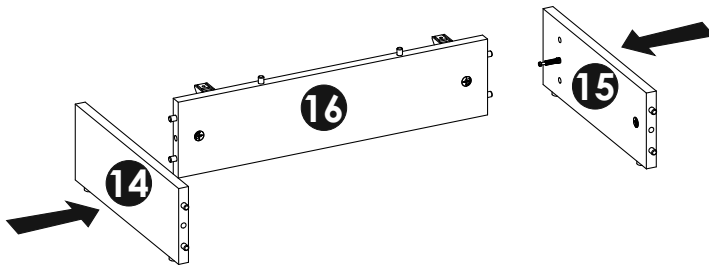
19 ▶



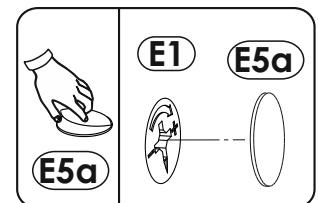
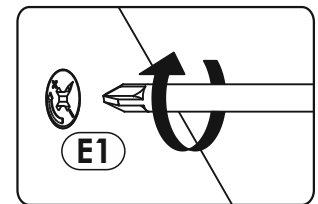
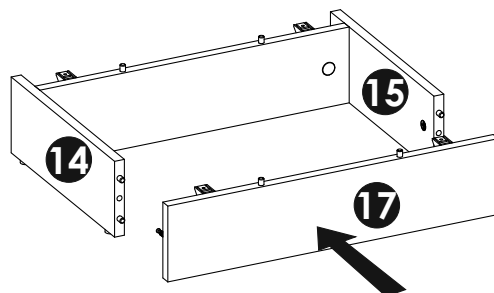
20 ▶



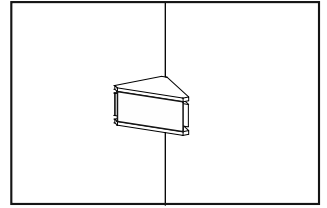
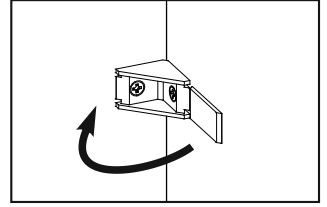
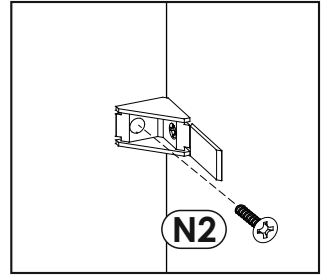
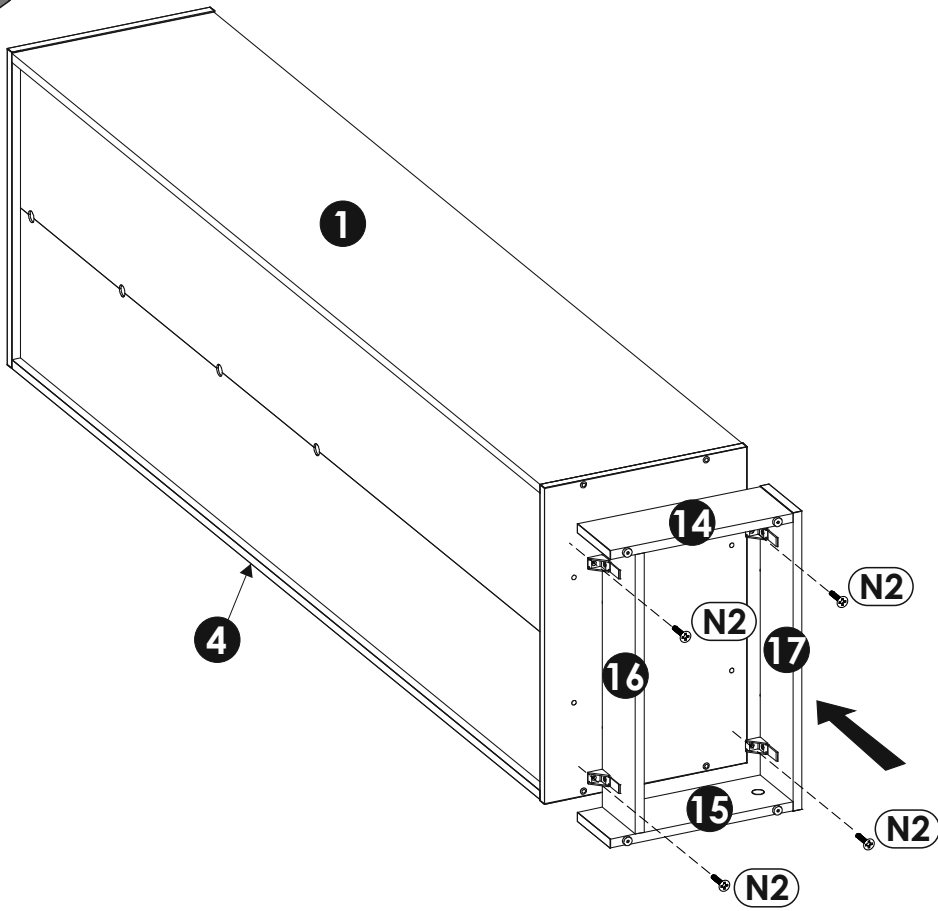
21 ▶



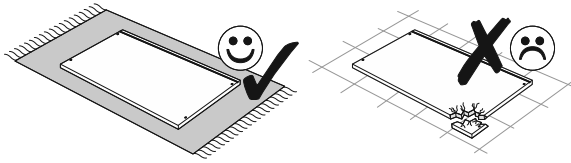
22 ▶



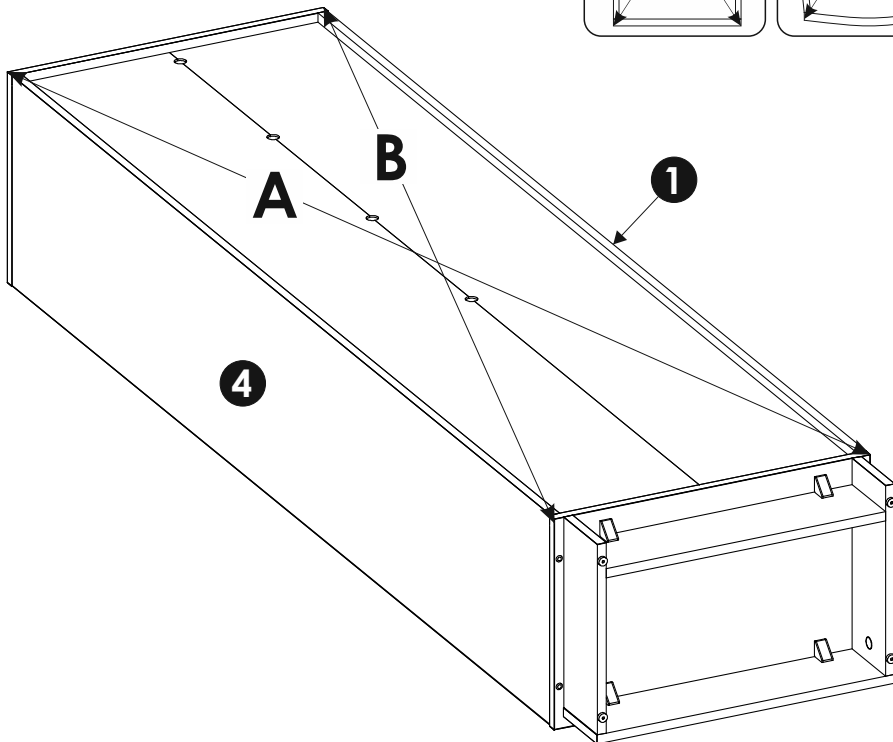
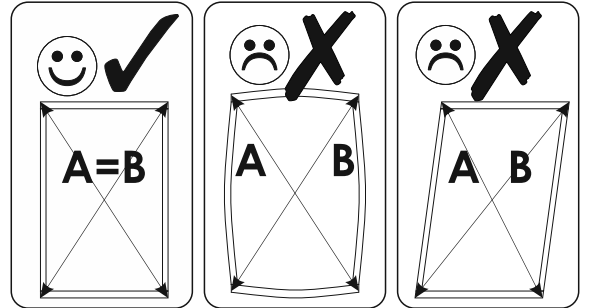
23 ▶



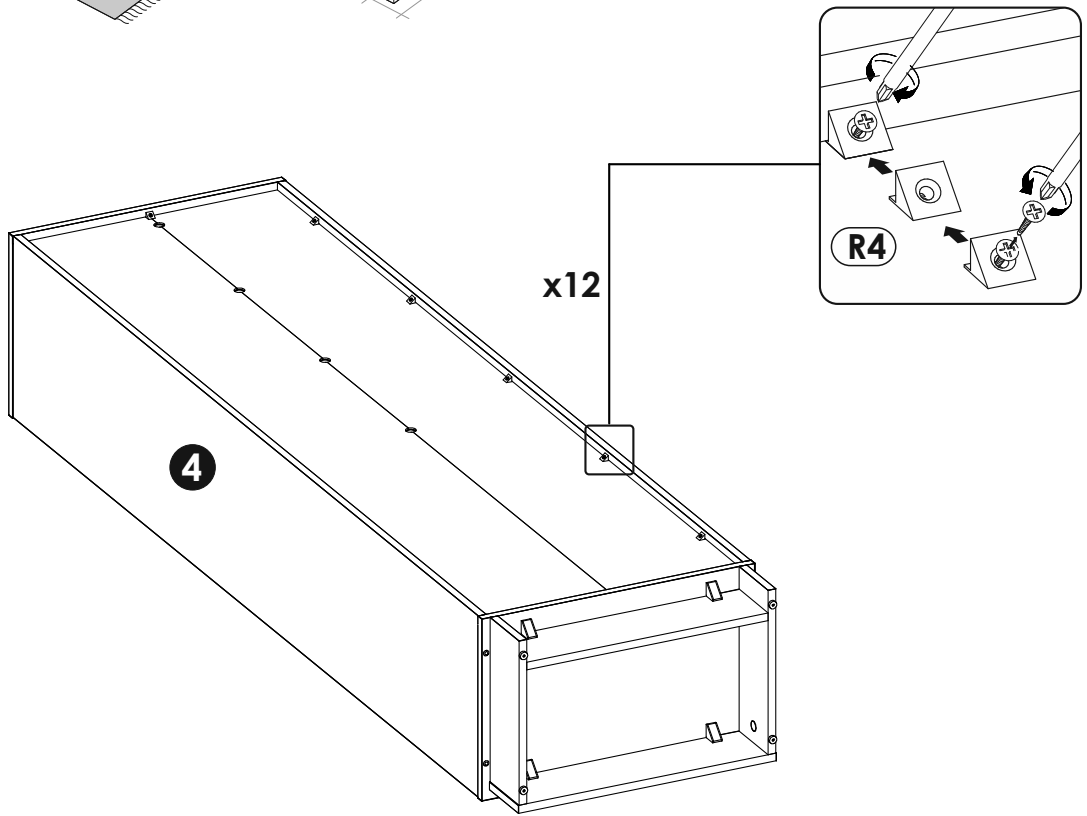
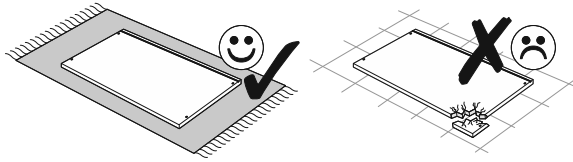
24 ▶



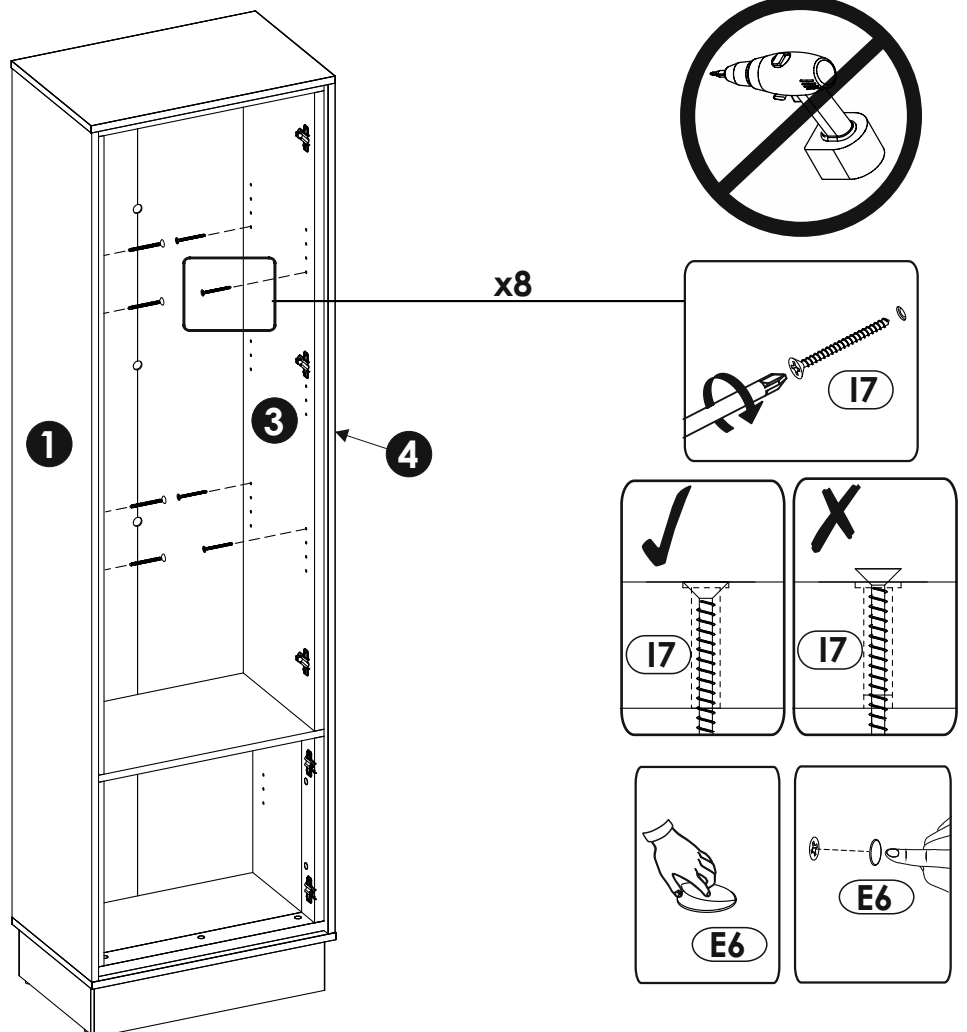
A=B

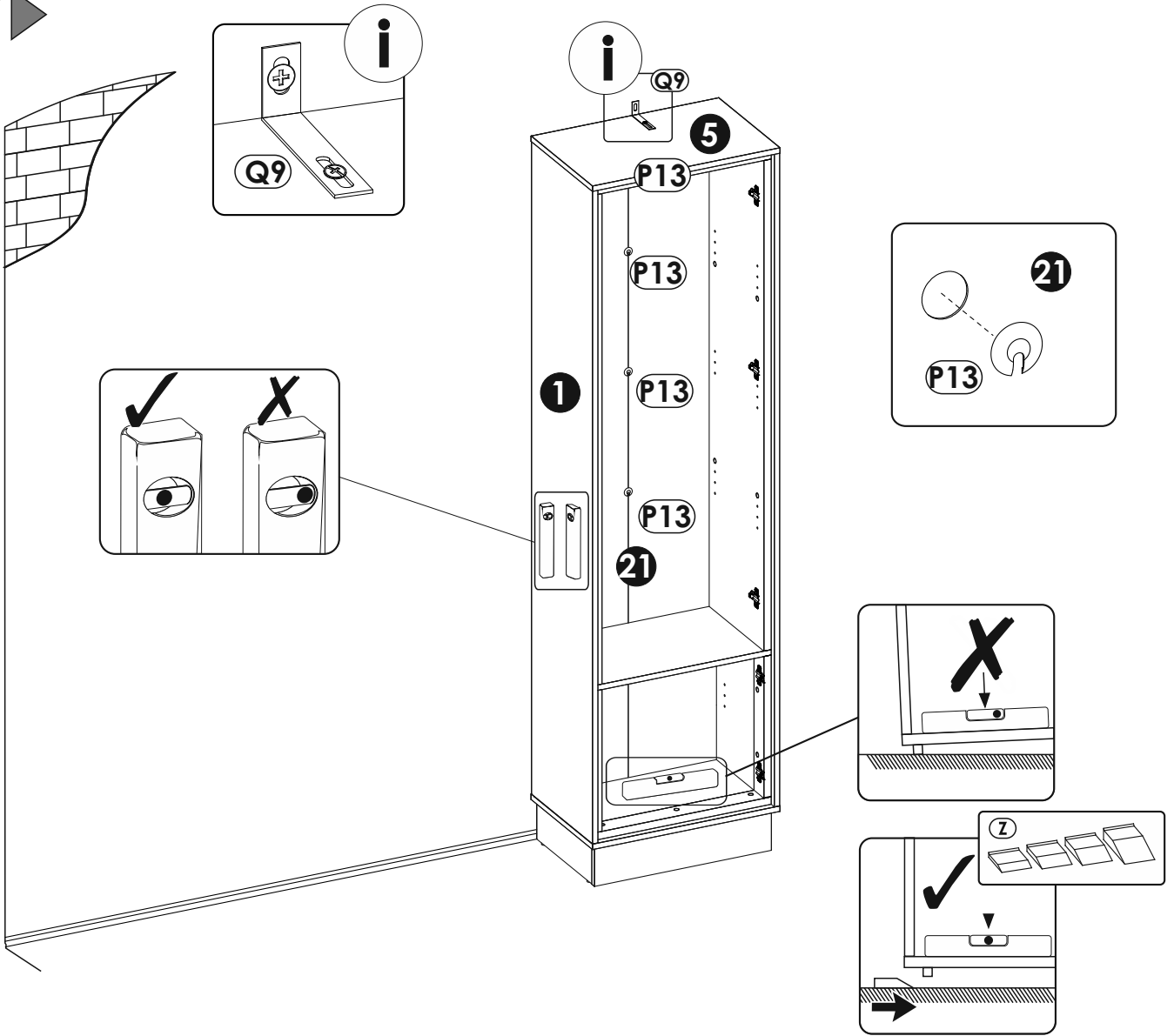


25 ▶▶

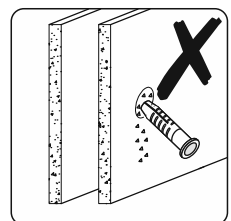
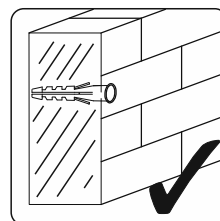
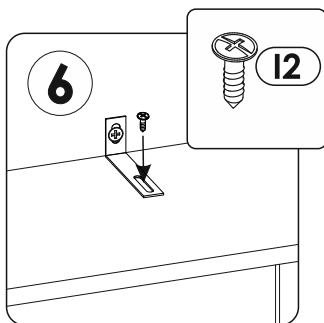
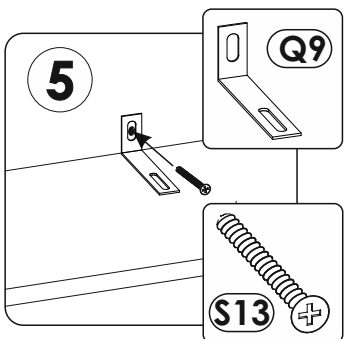
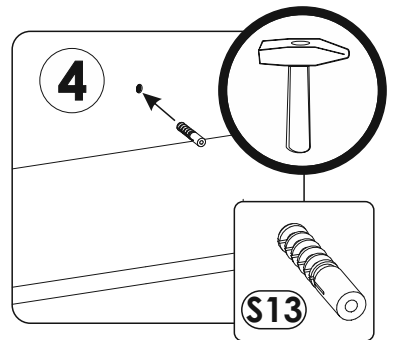
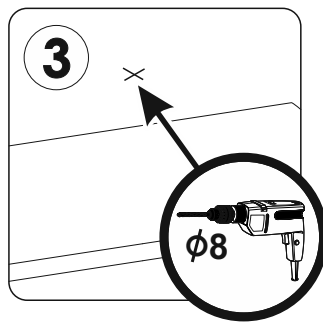
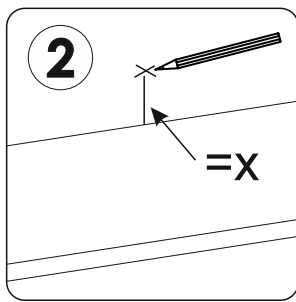
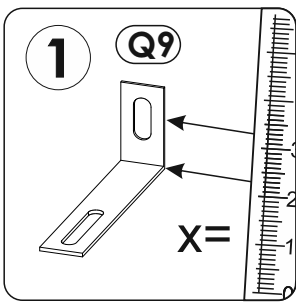


26 ▶▶

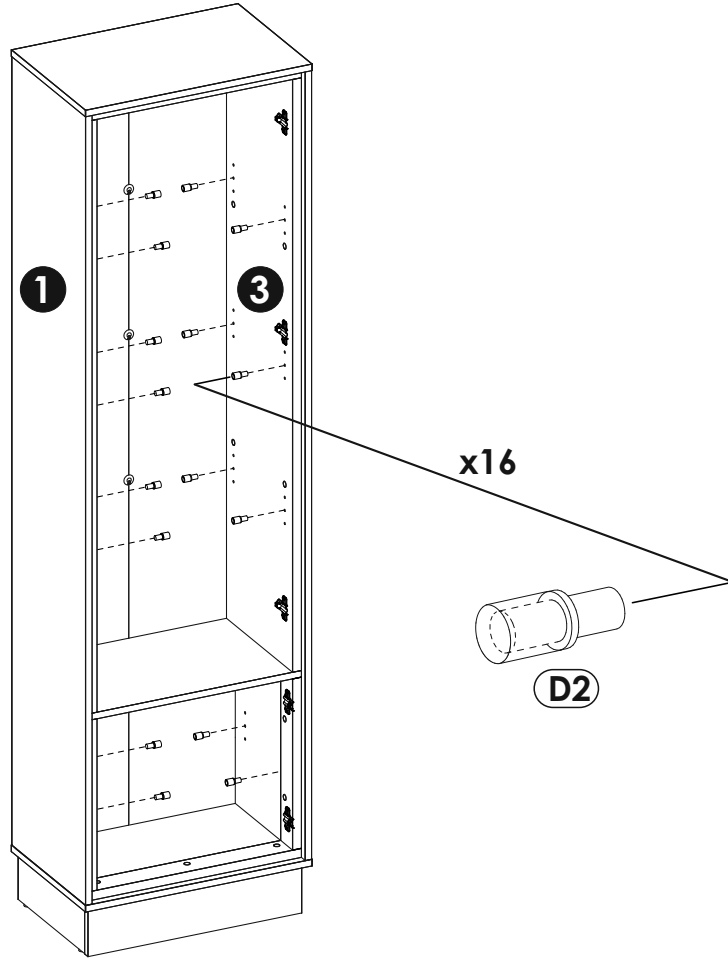




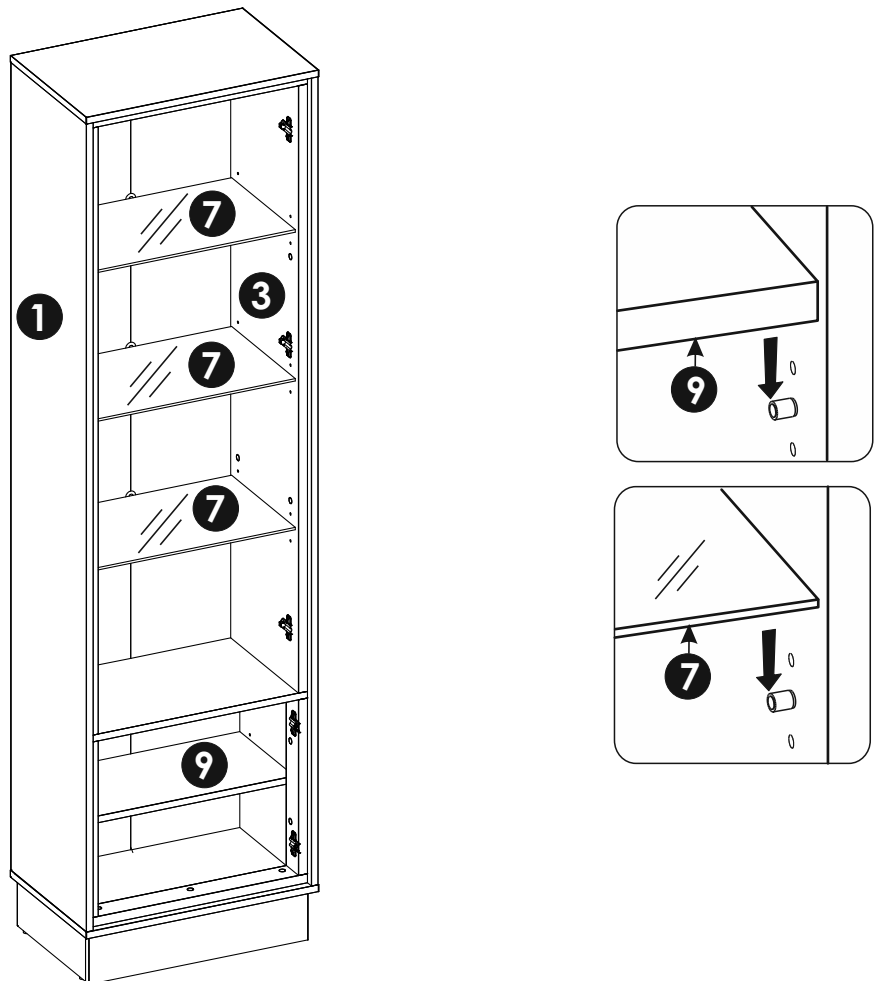
i



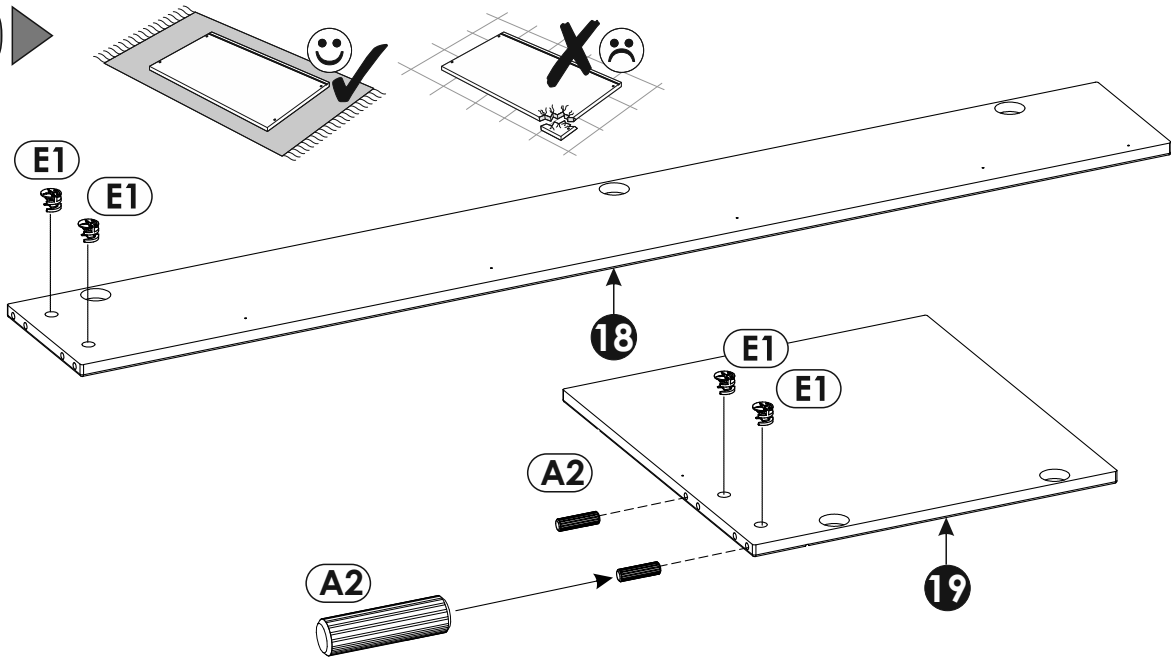
28▶



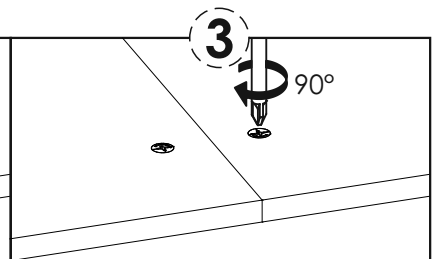
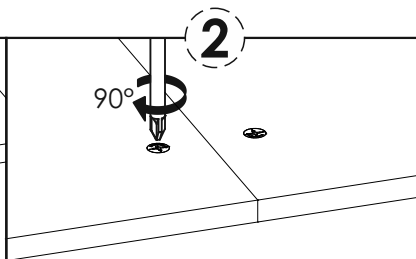
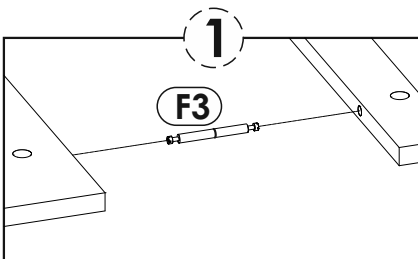
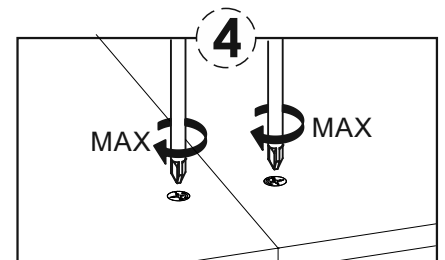
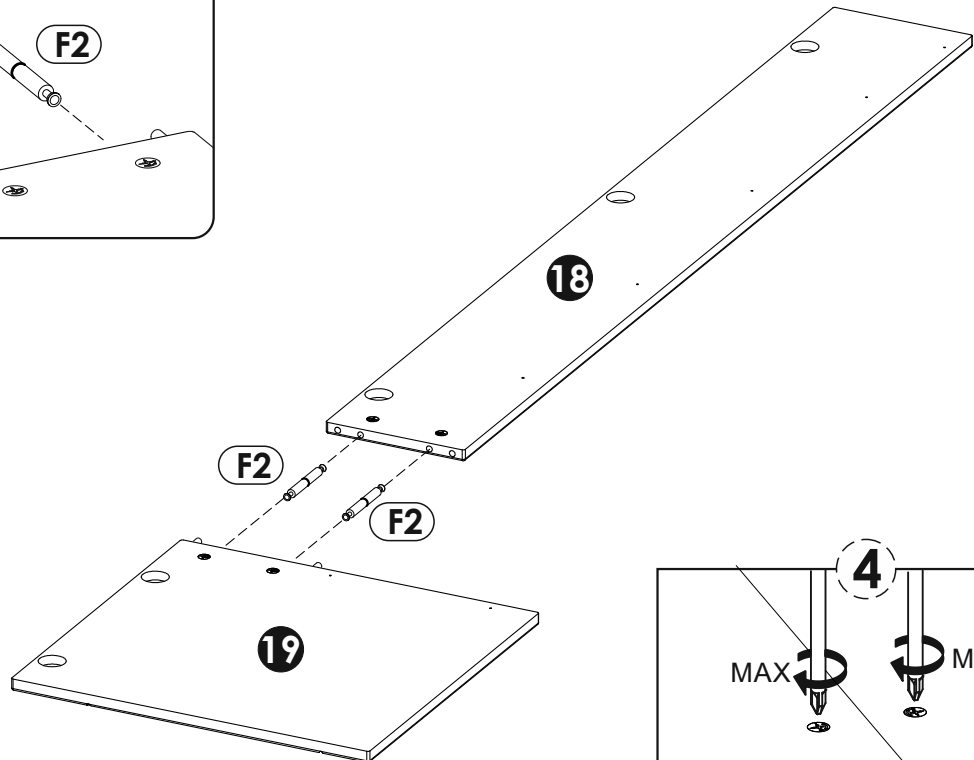
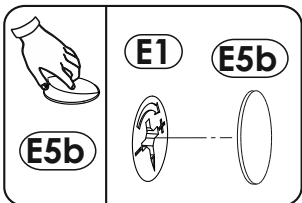
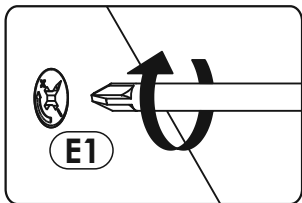
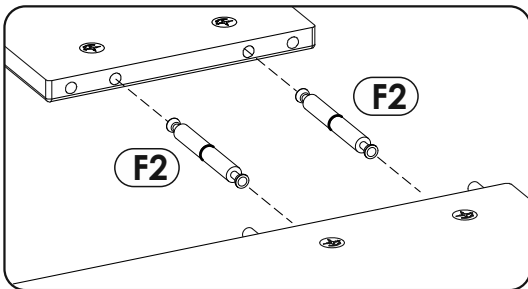
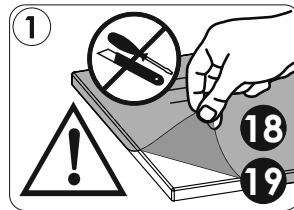
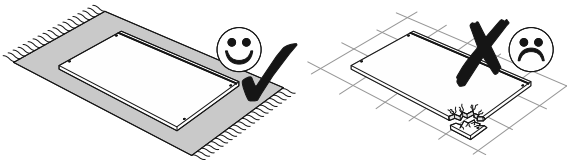
29▶



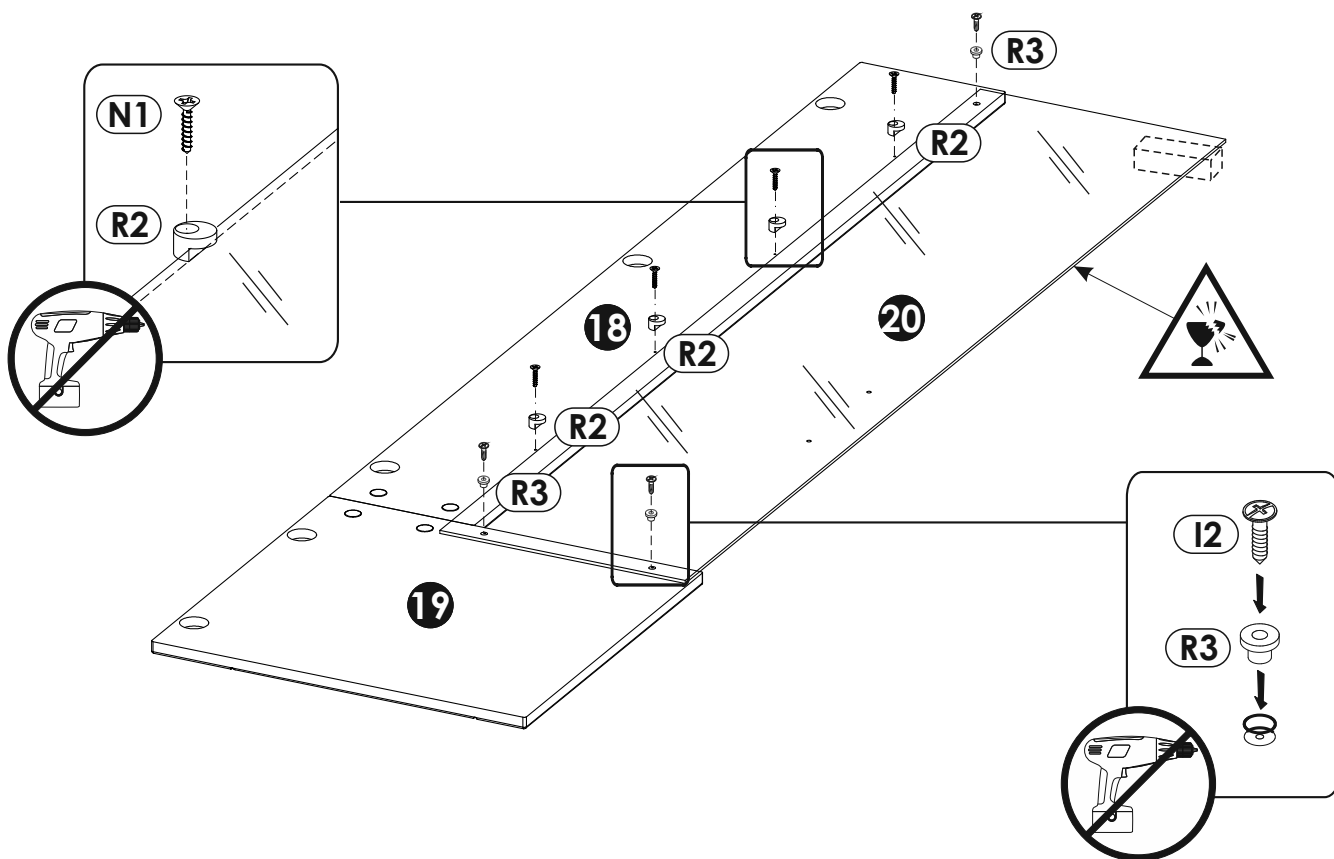
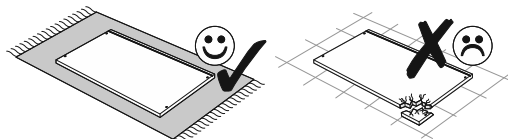
30 ▶



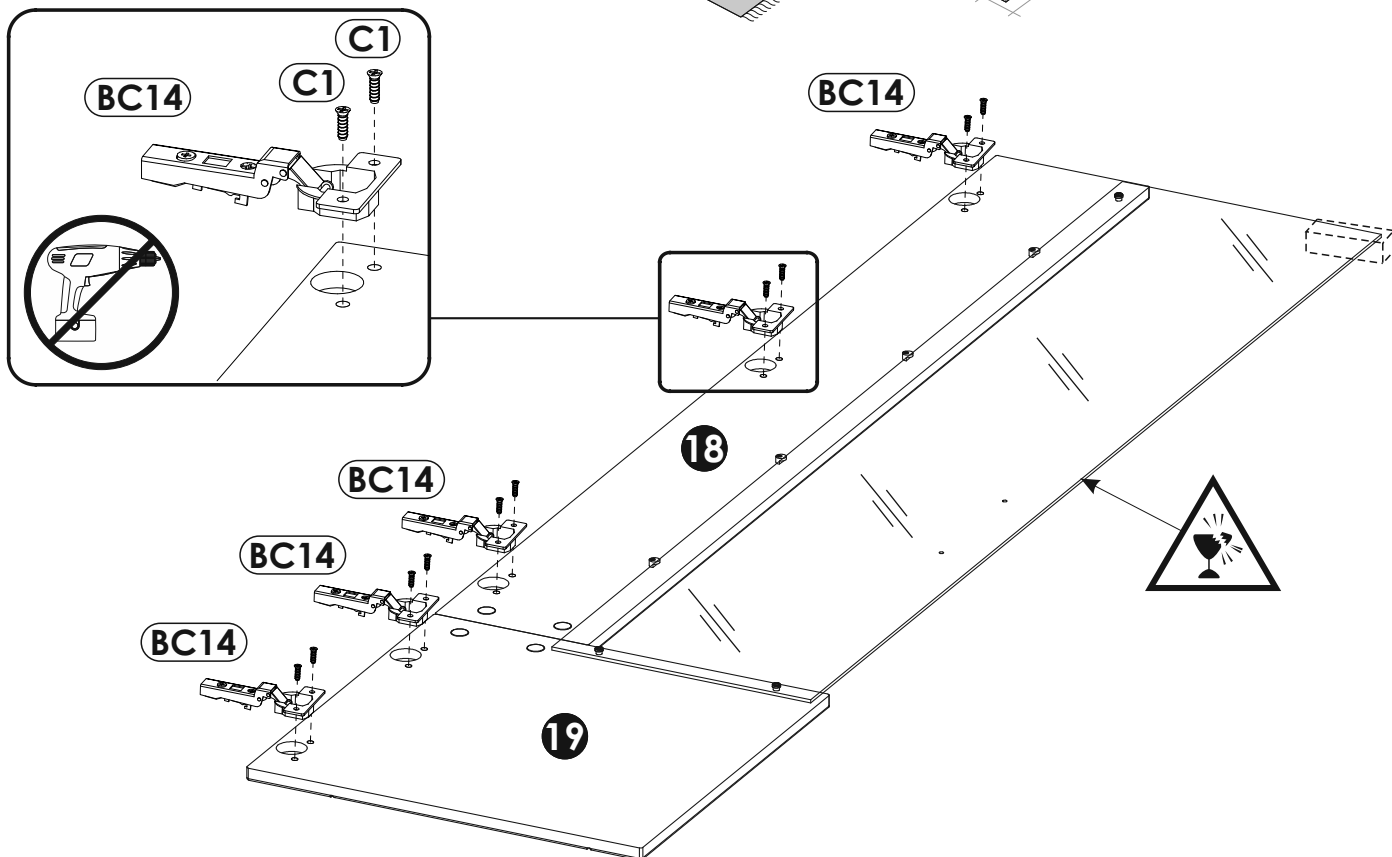
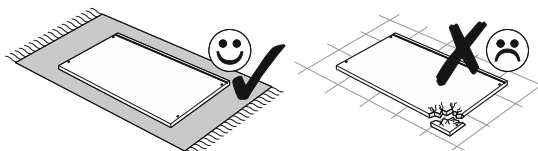
31 ▶



32 ▶



33 ▶



34▶

