
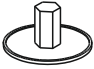


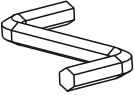
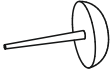
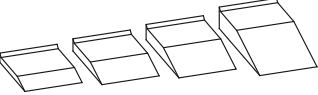
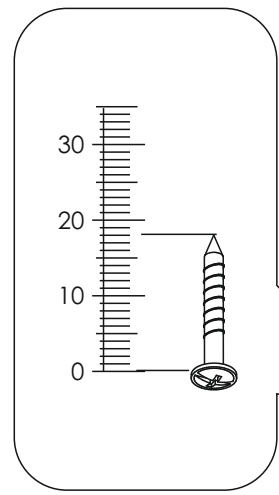
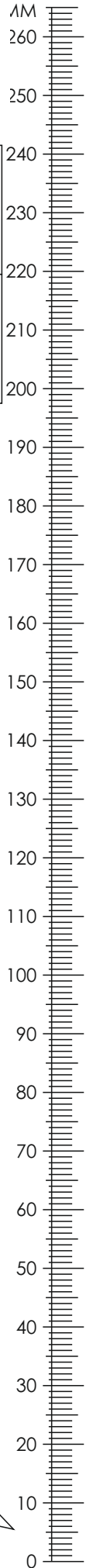
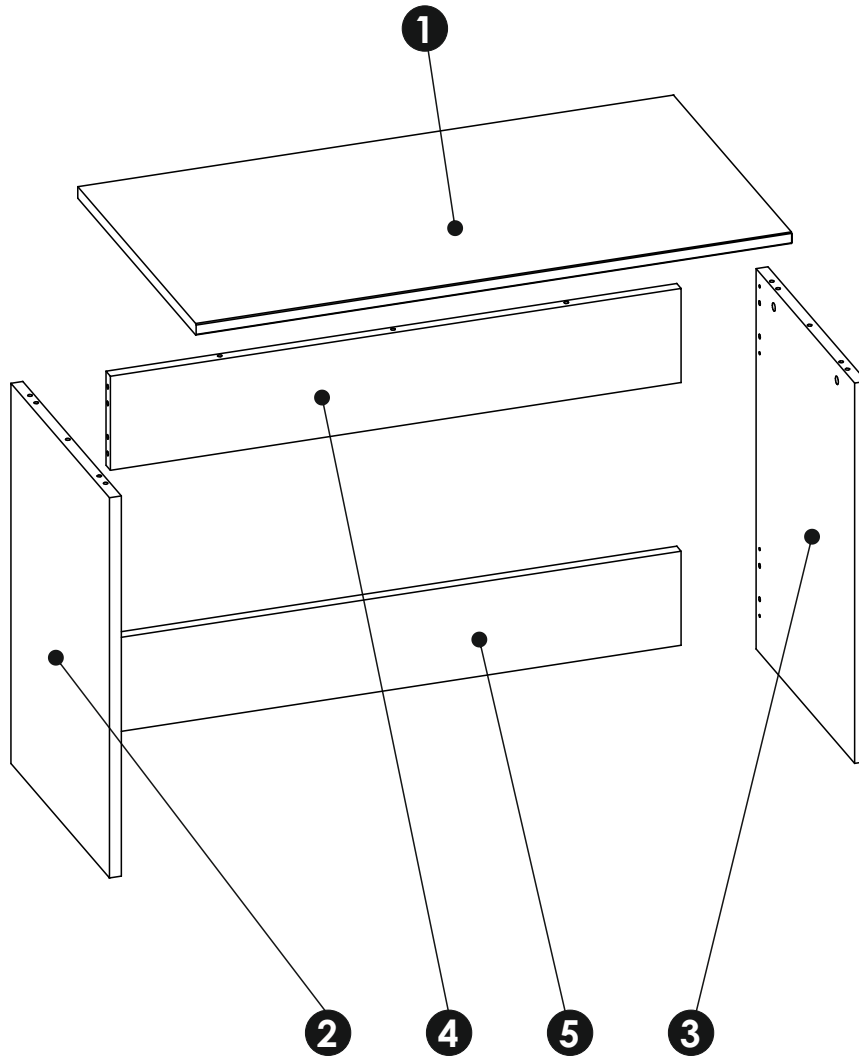
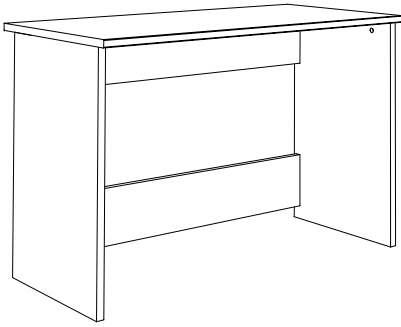
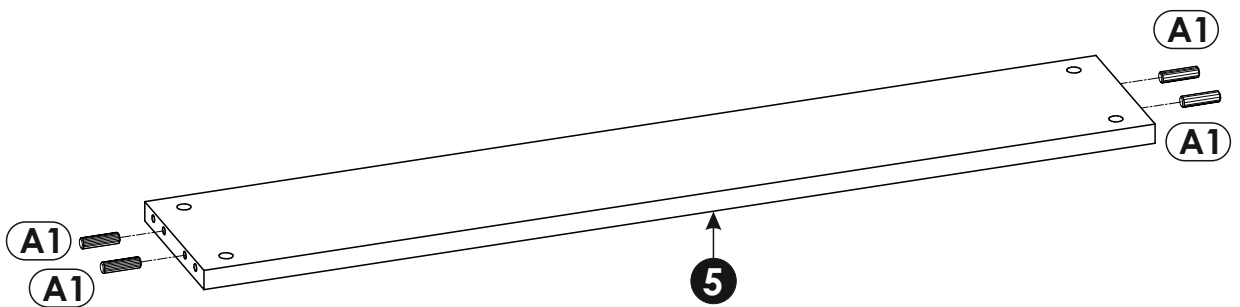
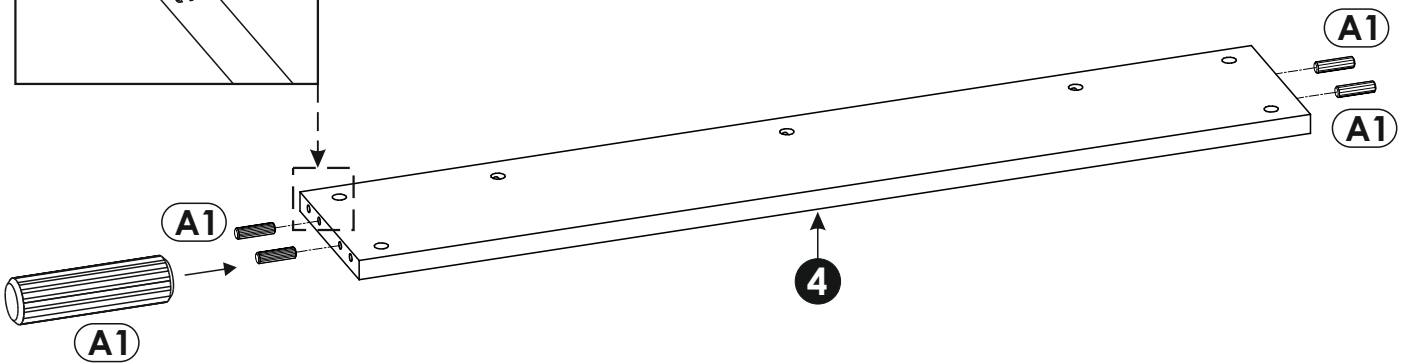
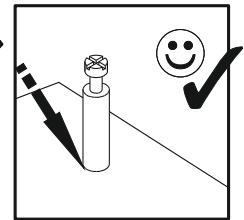
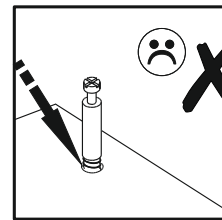
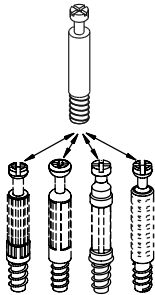
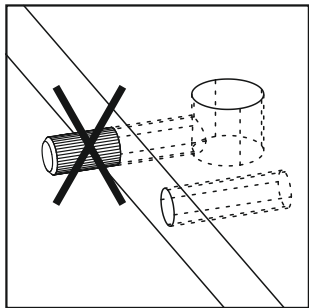
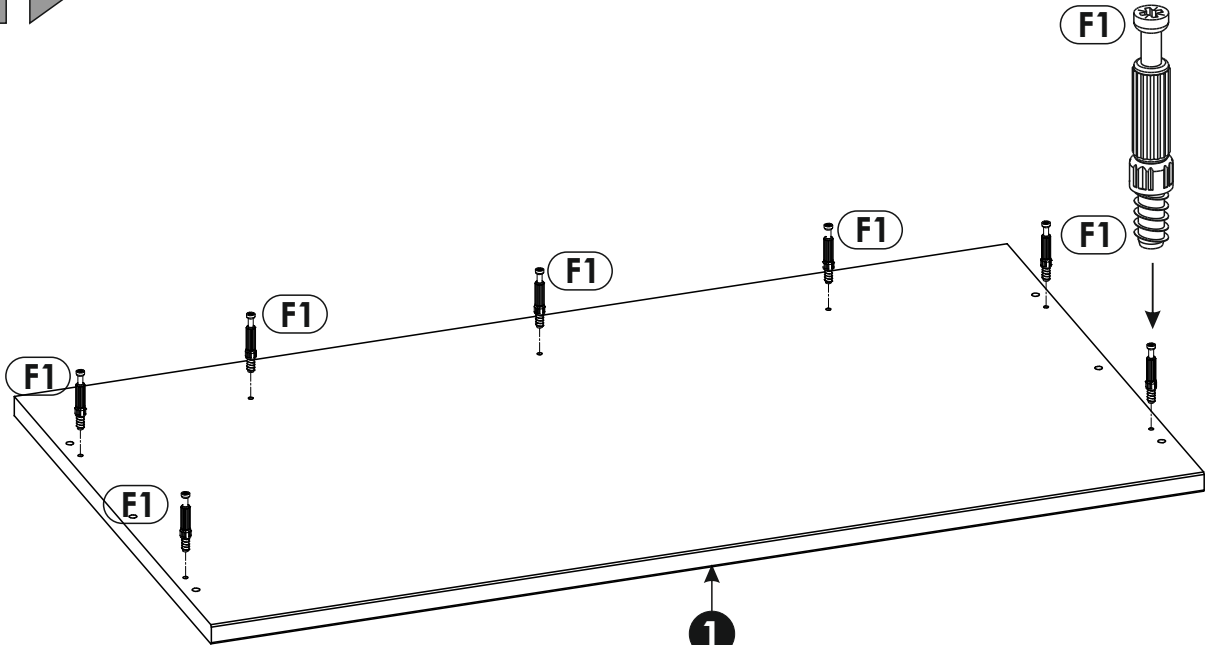
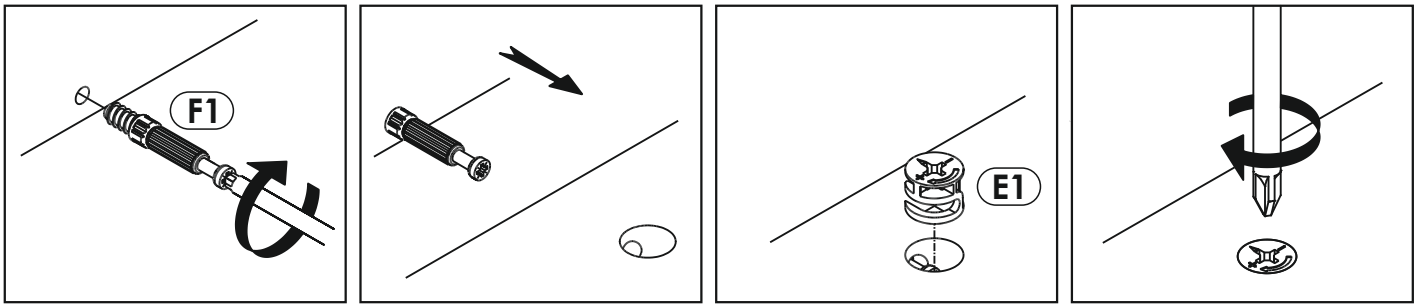


A1 x14 $\varnothing 8 \times 35$ mm 	E0 x15 	E1 x15 $\varnothing 15 \times 12$ mm 
F1 x15 	M x1 	O2 x4 
Z x1 		

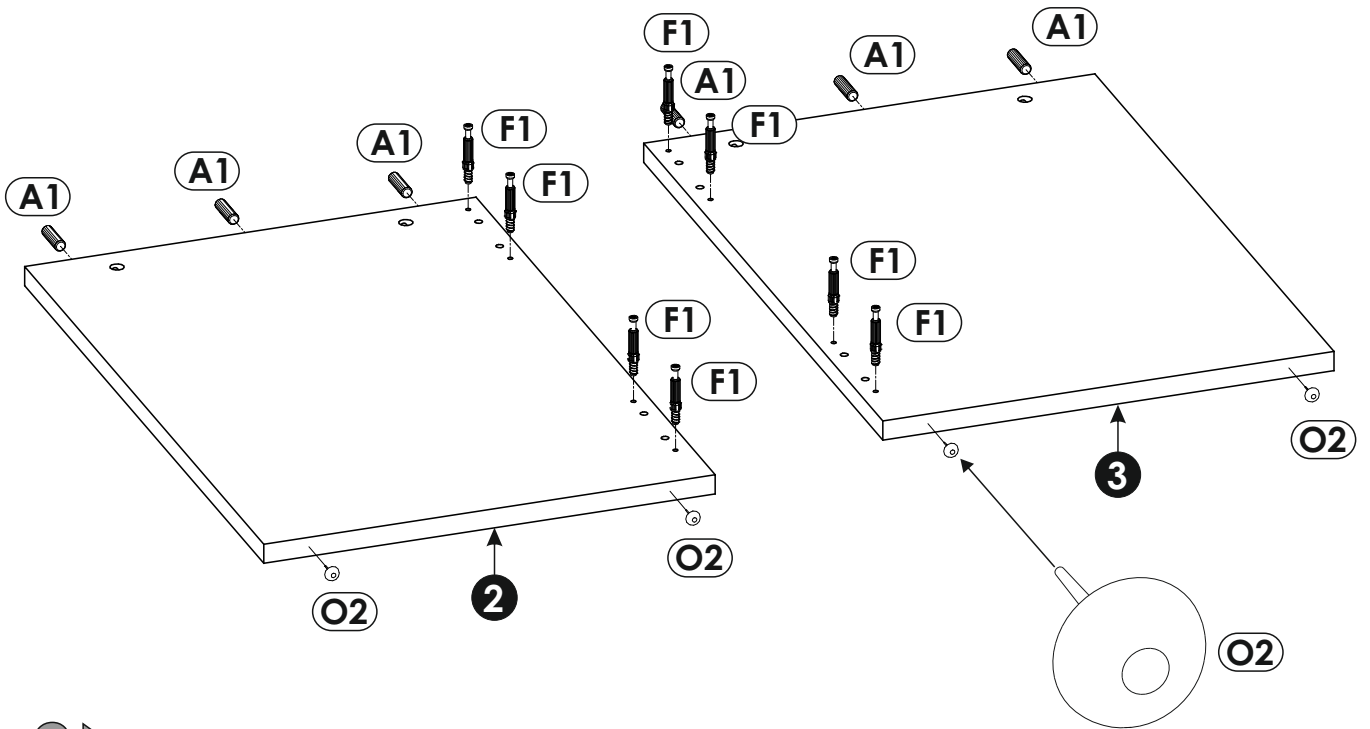




1	1100	600	22	x1	1/1
2	728	500	22	x1	1/1
3	728	500	22	x1	1/1
4	1054	180	22	x1	1/1
5	1054	180	22	x1	1/1



2 ▶



3 ▶

