
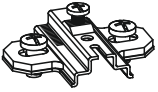



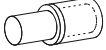
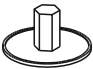






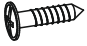


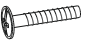
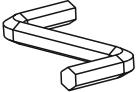

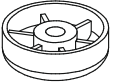

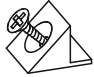



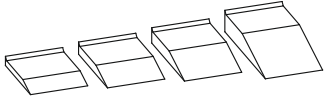
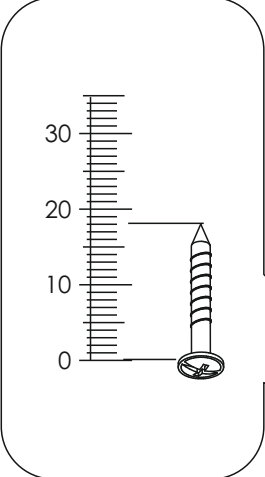
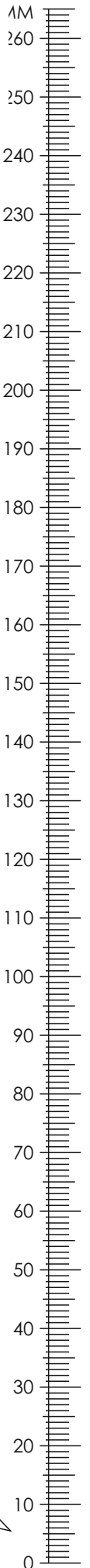
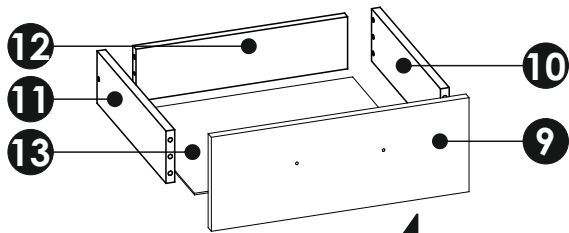
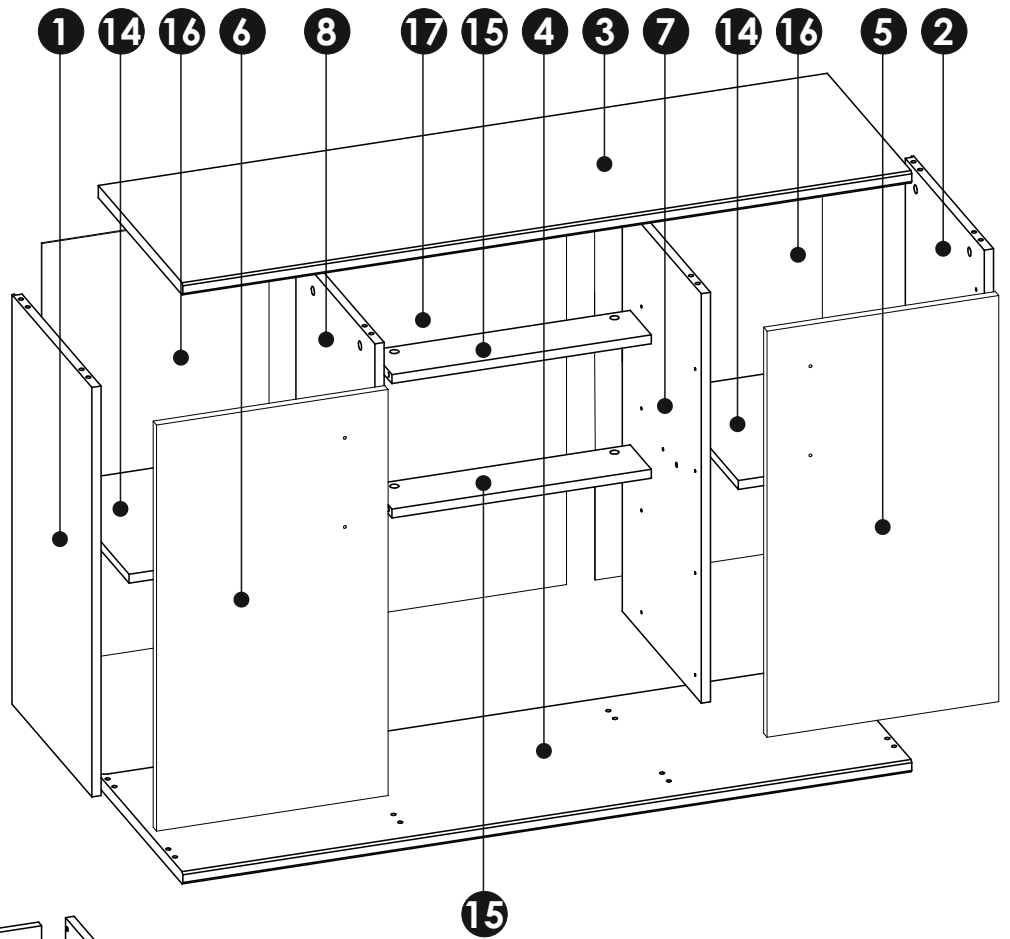
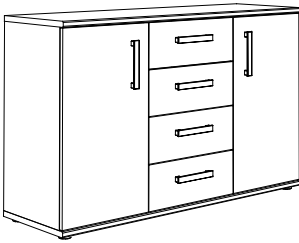




A1 x52 	B0 x4 	B1 x4 
C1 x8 EURO 4 x 13 mm 	C2 x16 EURO 5 x 13 mm 	D2 x8 
E0 x20 	E1 x20 	F1 x20 
G0 x16 	G1 x8 $\phi 7 \times 50$ mm 	G2 x8 $\phi 7 \times 60$ mm 
H1 x6 	I2 x2 4 x 16 mm 	I10 x6 3,5 x 22 mm 
J1 x24 3 x 20 mm 	K3 x12 M4 x 22 mm 	M x1 
N1 x70 3 x 16 mm 	O1 x6 	R1 x10 
R4 x4 	Q9 x2 	R8 x12 
T3 x4 L-350 	Z x1 	

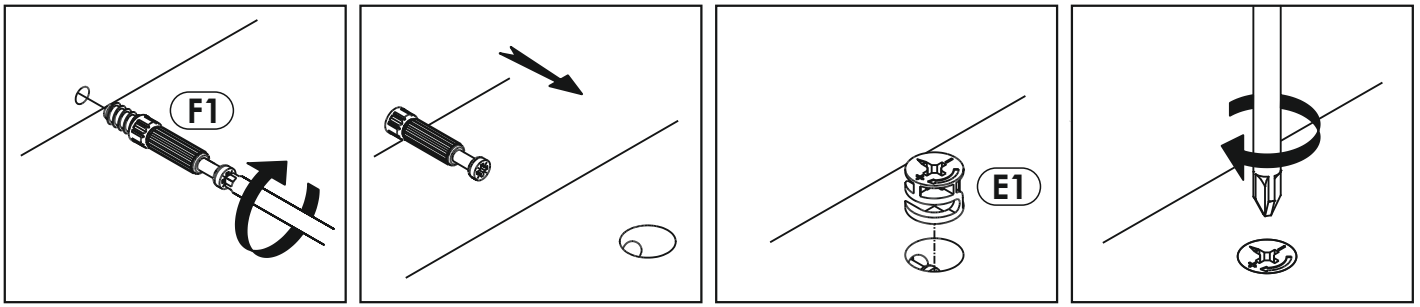




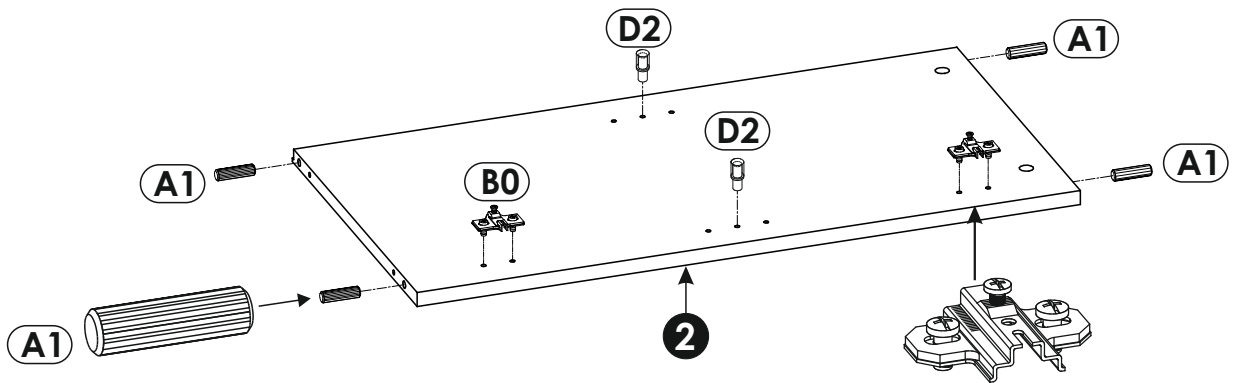
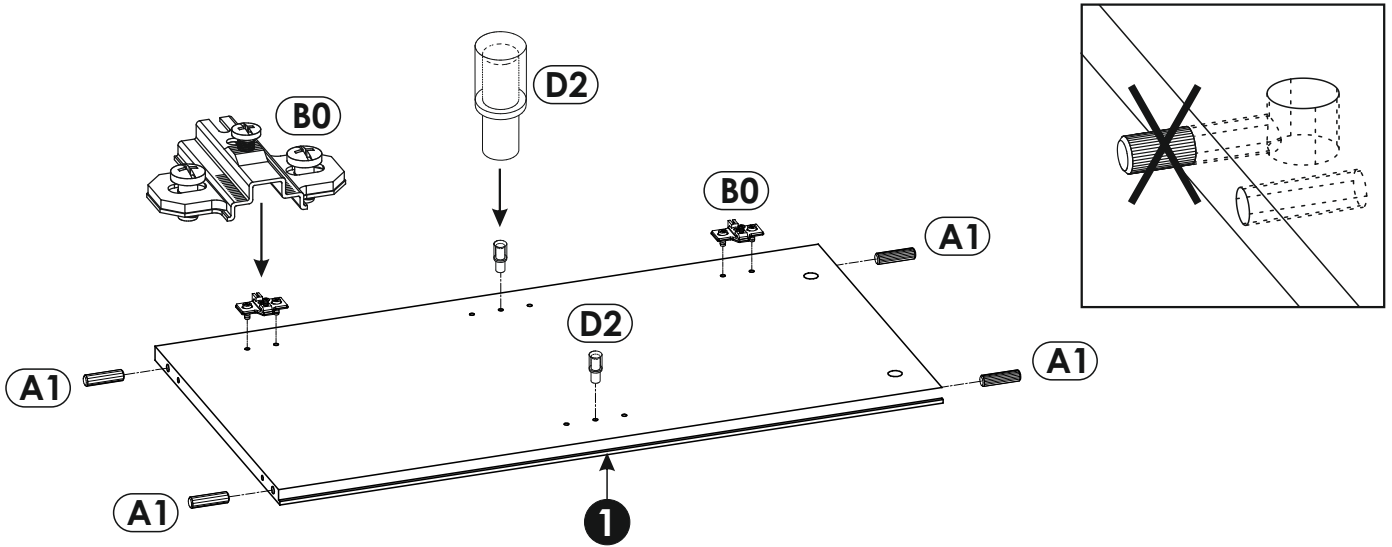
x4

1	735	380	16	x1	1/2
2	735	380	16	x1	1/2
3	1262	402	22	x1	1/2
4	1262	402	22	x1	1/2
5	729	401	16	x1	2/2
6	729	401	16	x1	2/2
7	735	376	16	x1	1/2
8	735	376	16	x1	1/2

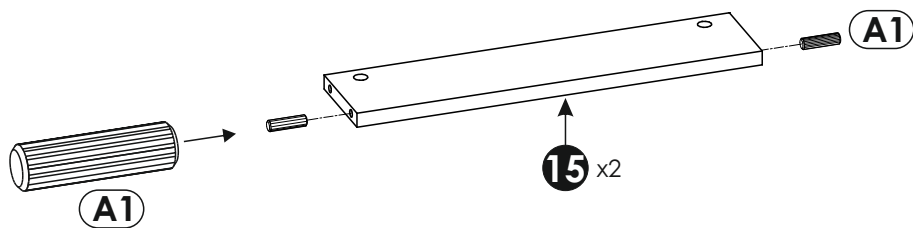
9	450	180	16	x4	2/2
10	350	100	16	x4	2/2
11	350	100	16	x4	2/2
12	393	100	16	x4	2/2
13	423	355	3	x4	2/2
14	374	371	16	x2	2/2
15	449	80	16	x2	2/2
16	757	393	3	x2	2/2
17	757	465	3	x1	2/2



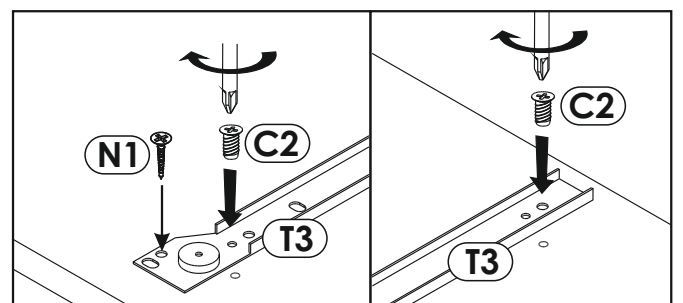
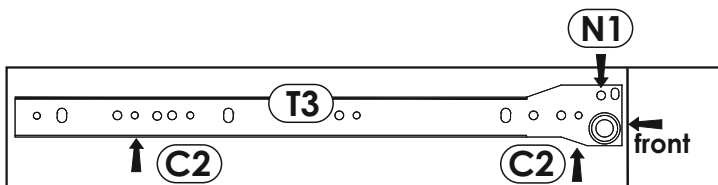
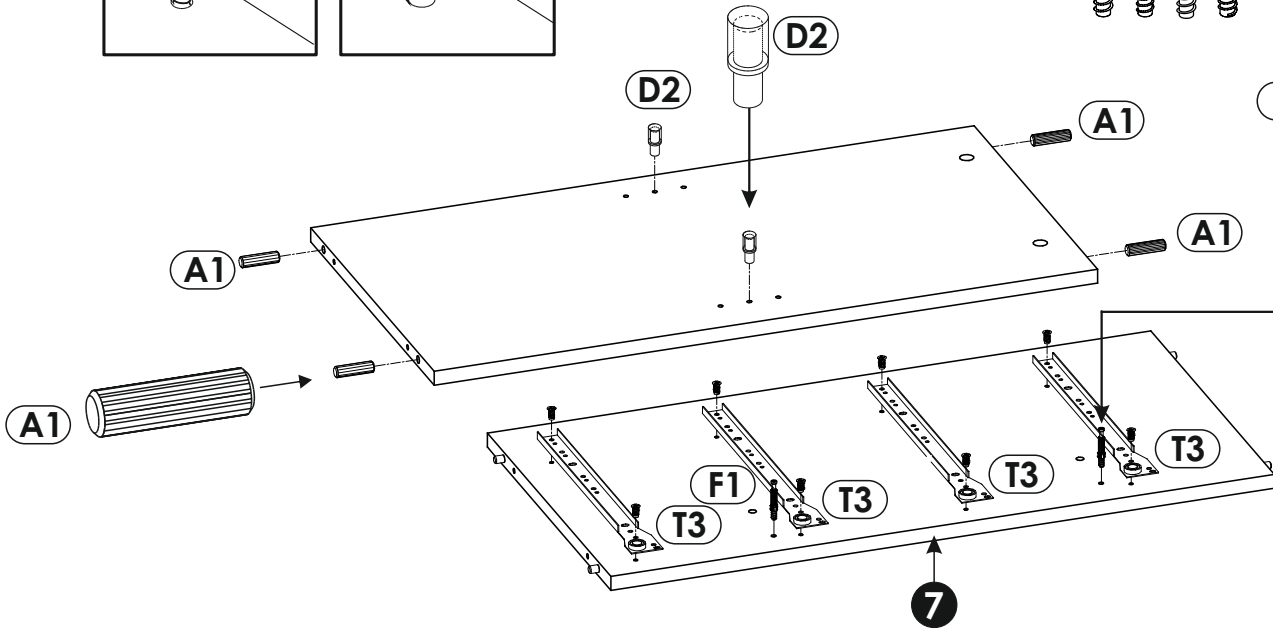
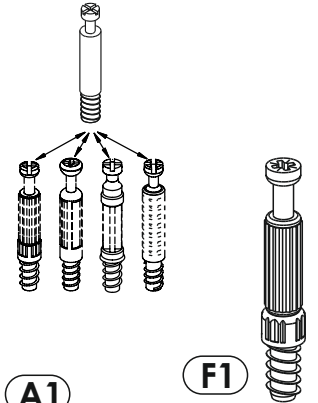
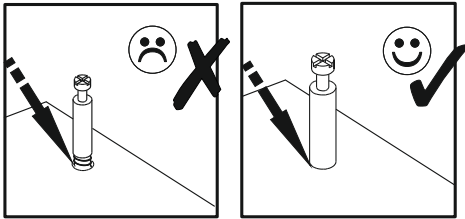
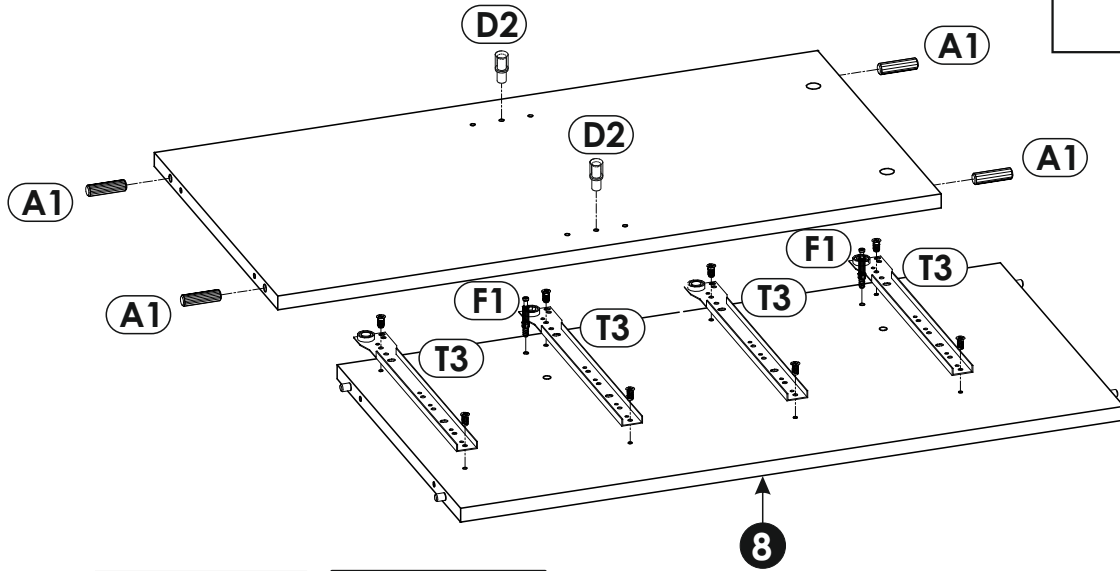
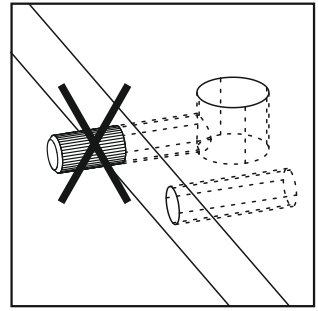
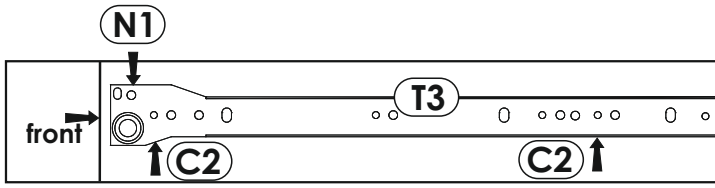
1 ▶



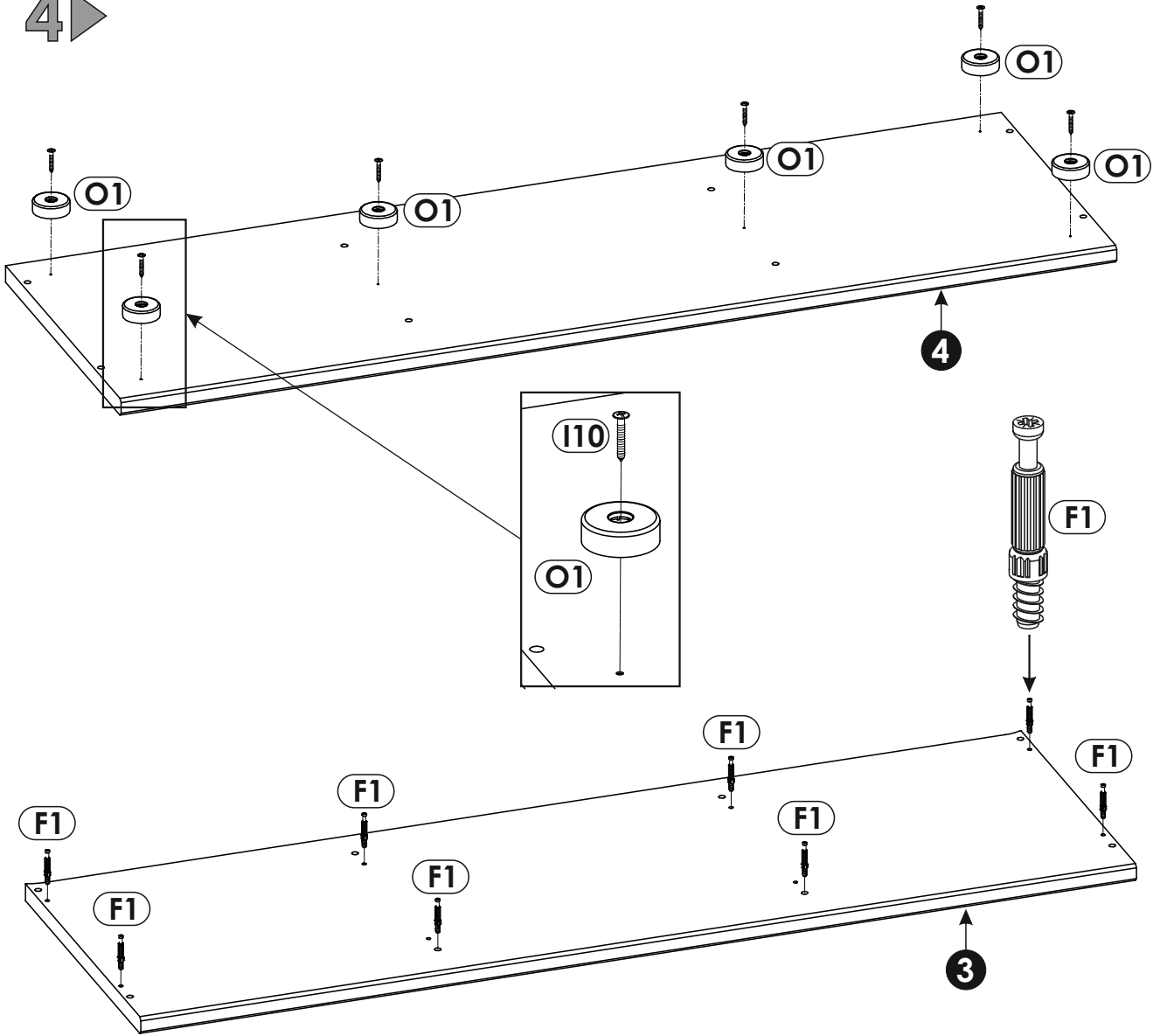
2 ▶



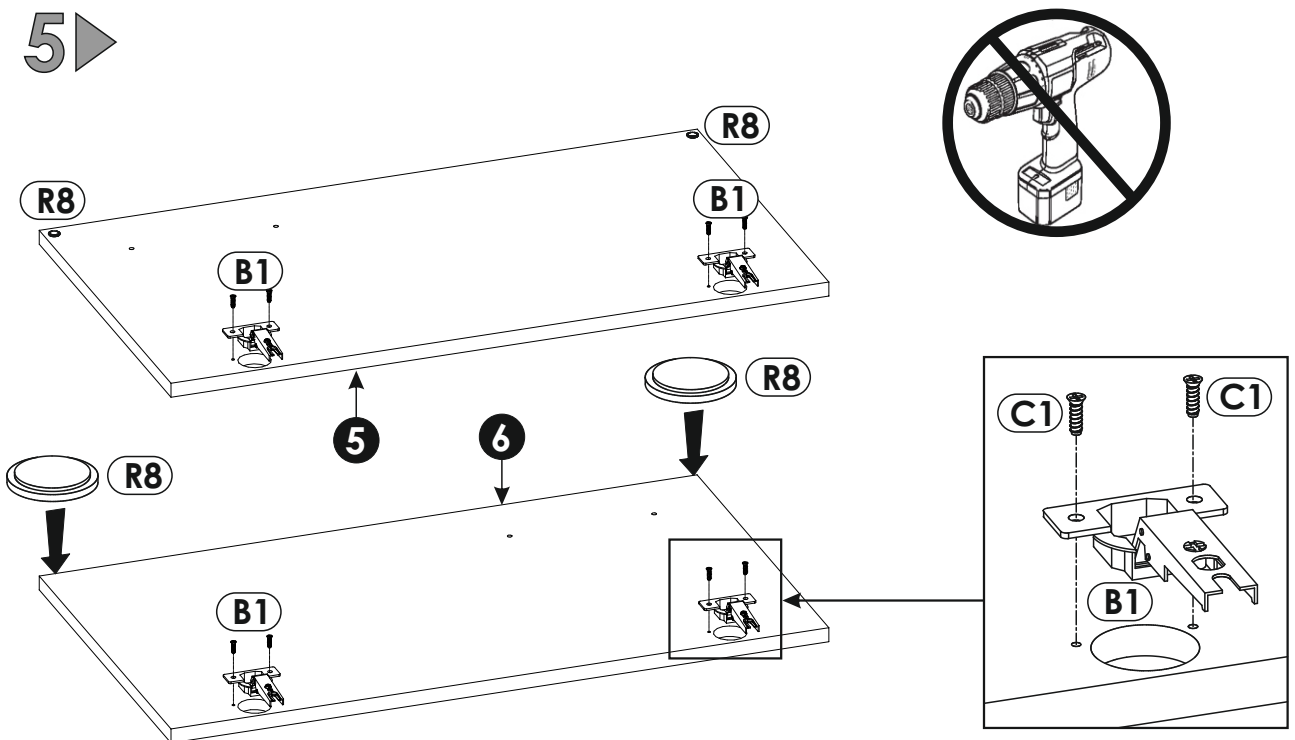
3 ▶



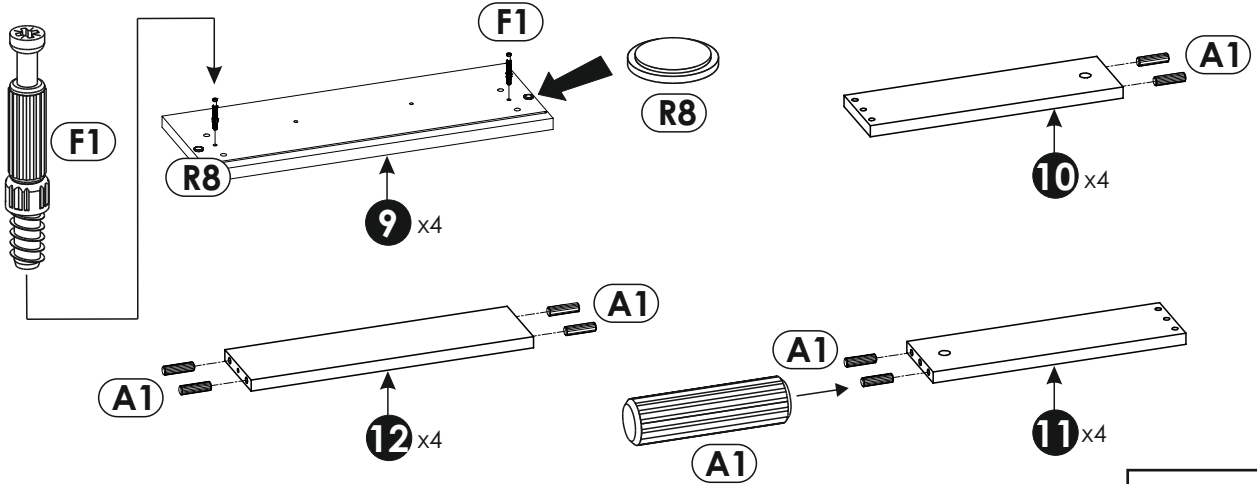
4 ▶



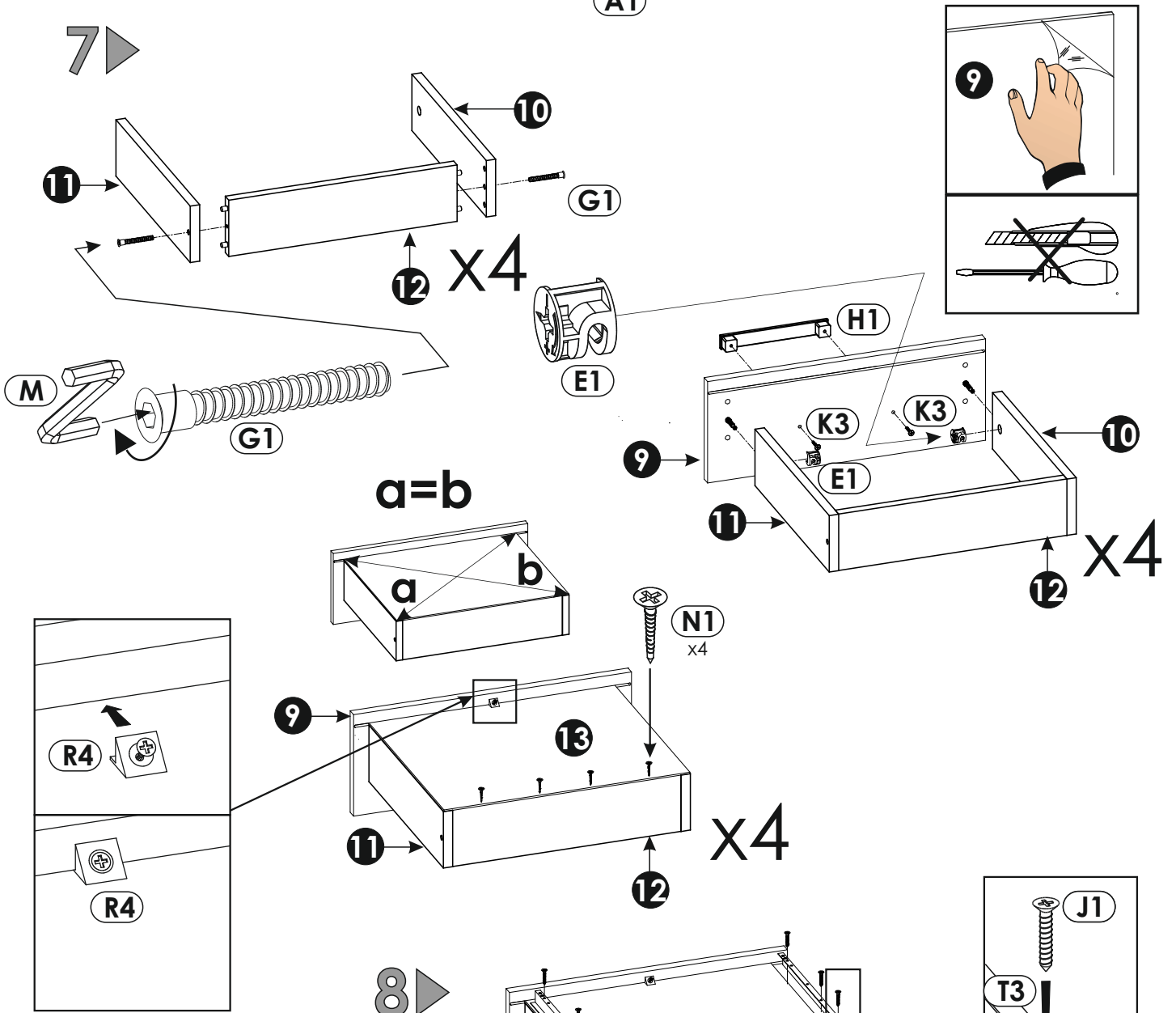
5 ▶



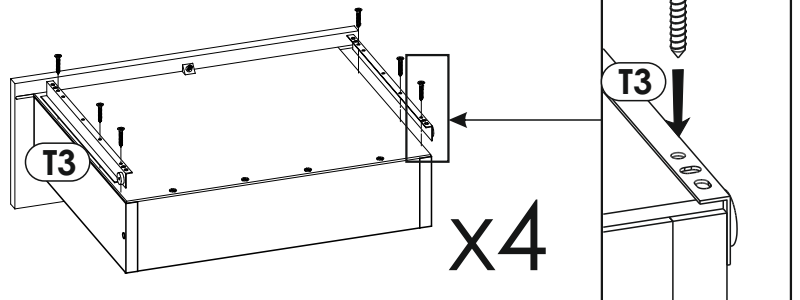
6 ▶



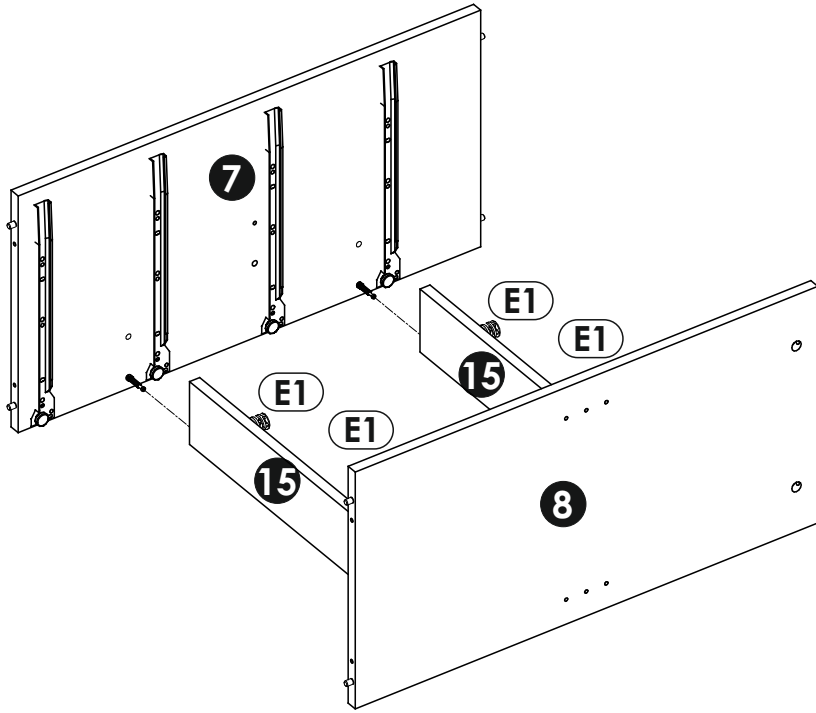
7 ▶



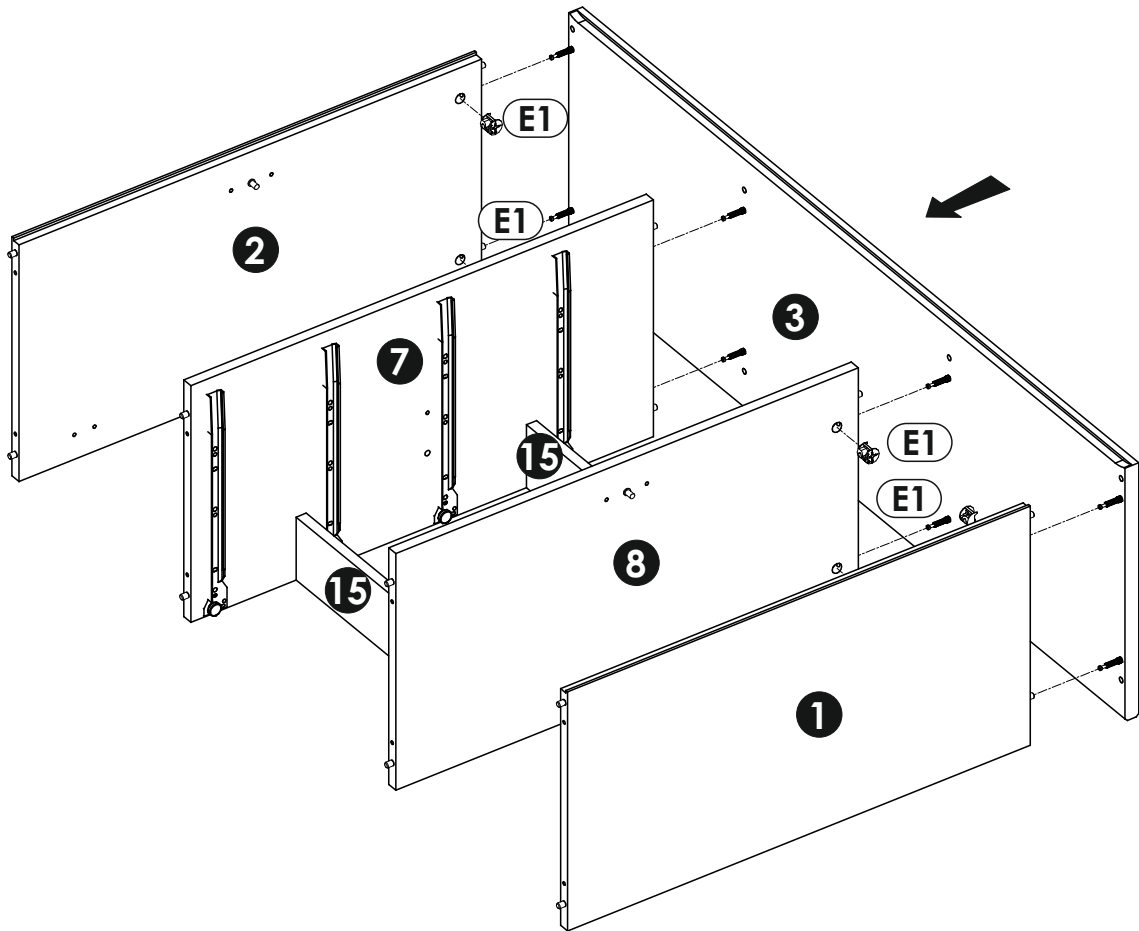
8 ▶



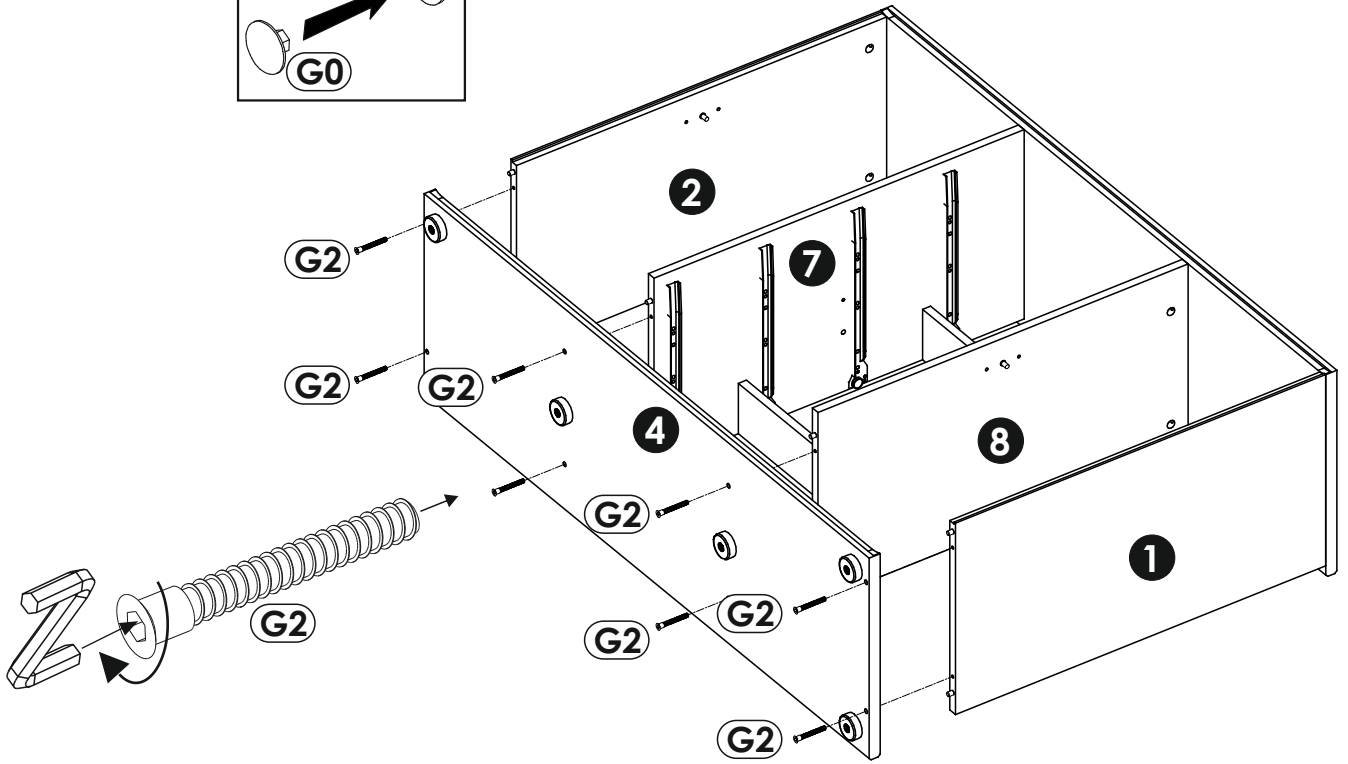
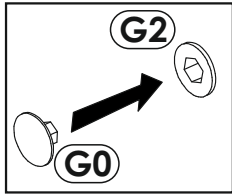
9 ▶



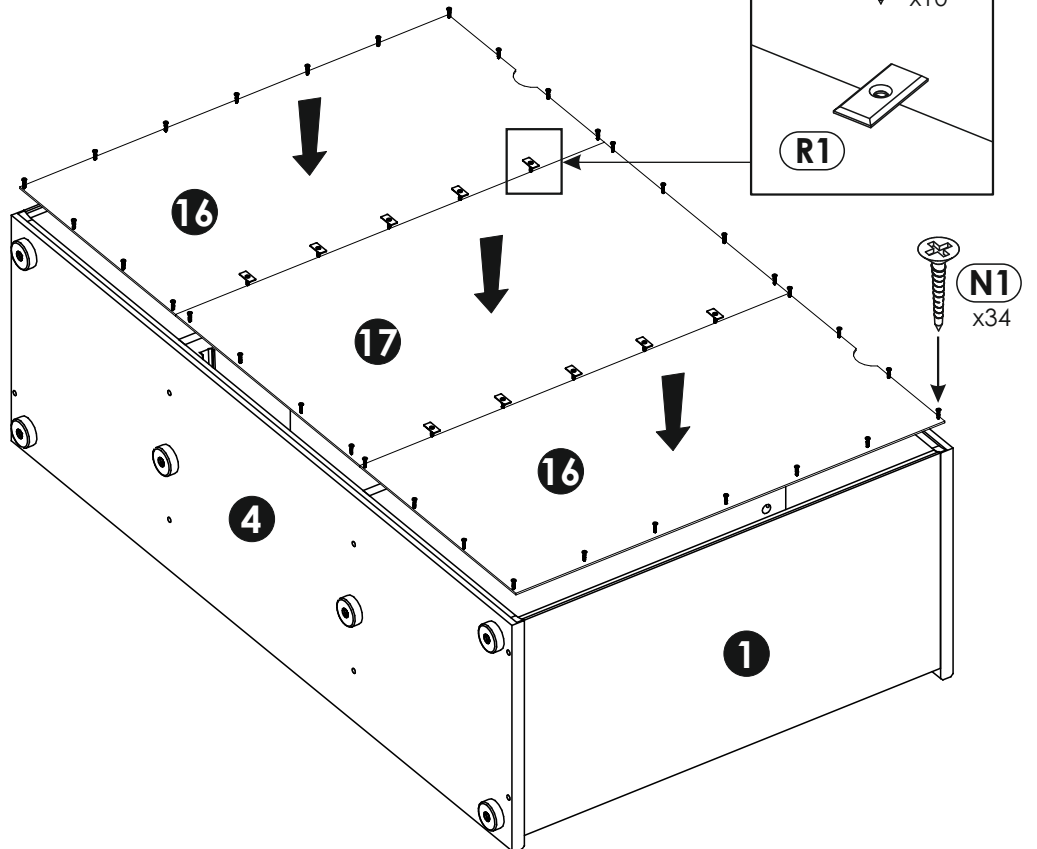
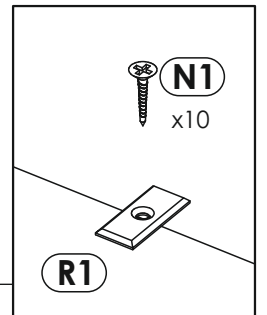
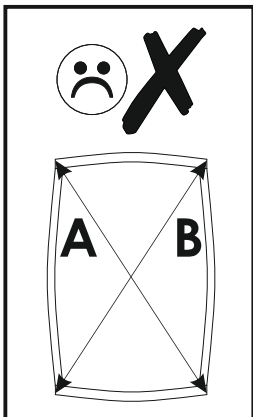
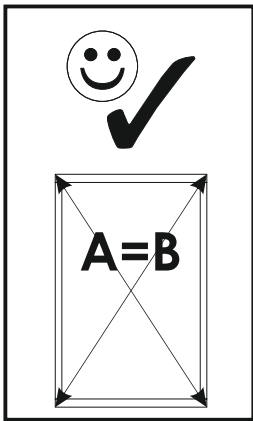
10 ▶



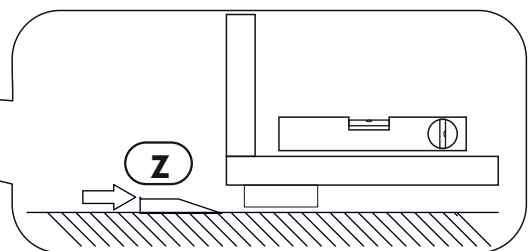
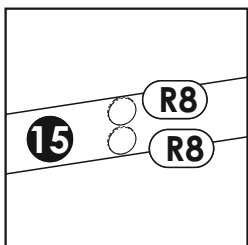
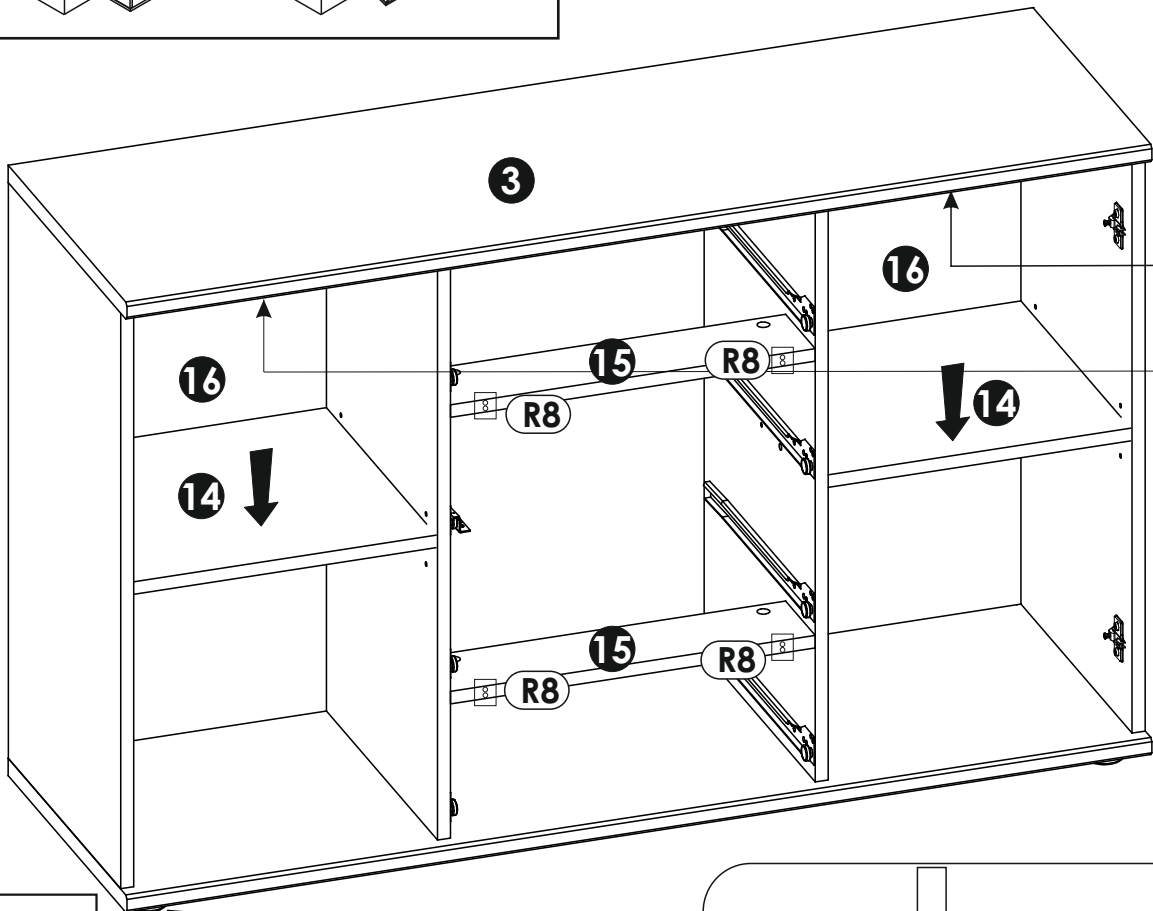
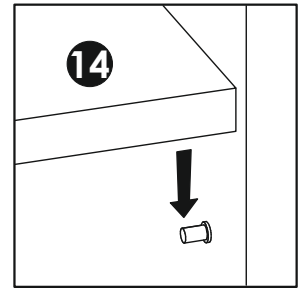
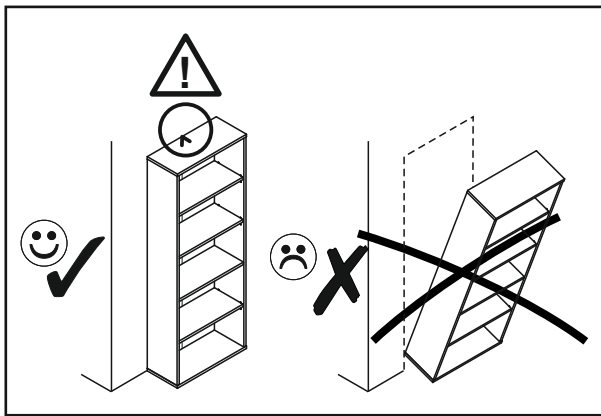
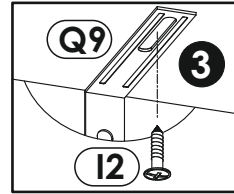
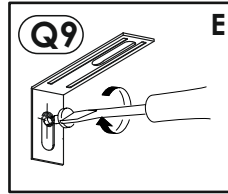
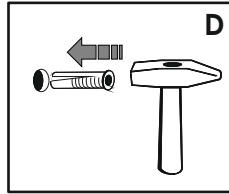
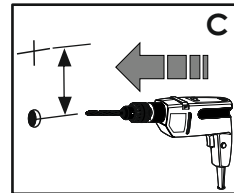
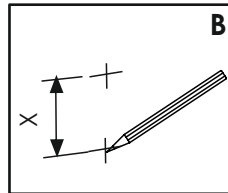
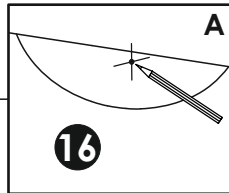
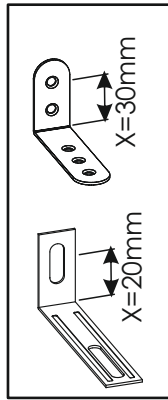
11 ▶



12 ▶



13 ▶



14 ▶

