

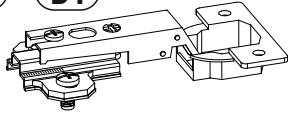
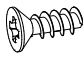
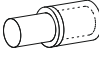
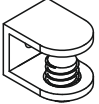
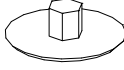

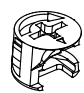
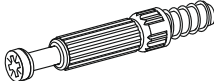
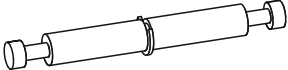
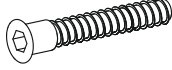



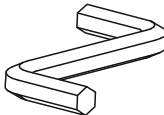
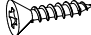
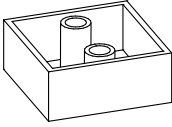

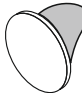
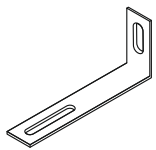
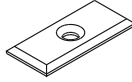
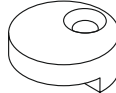
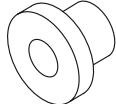

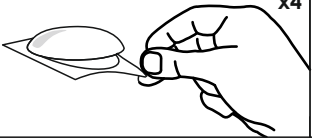
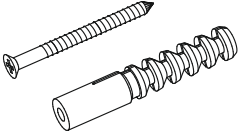
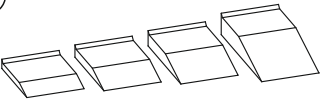
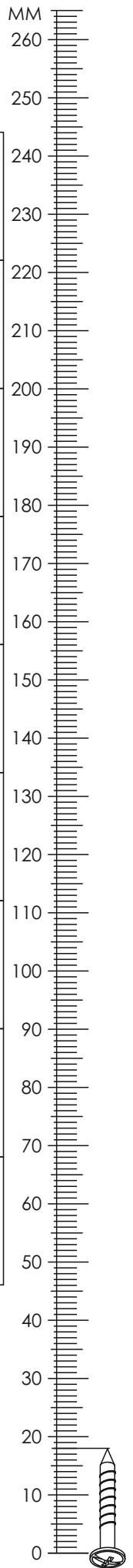
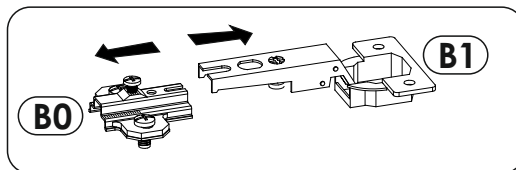
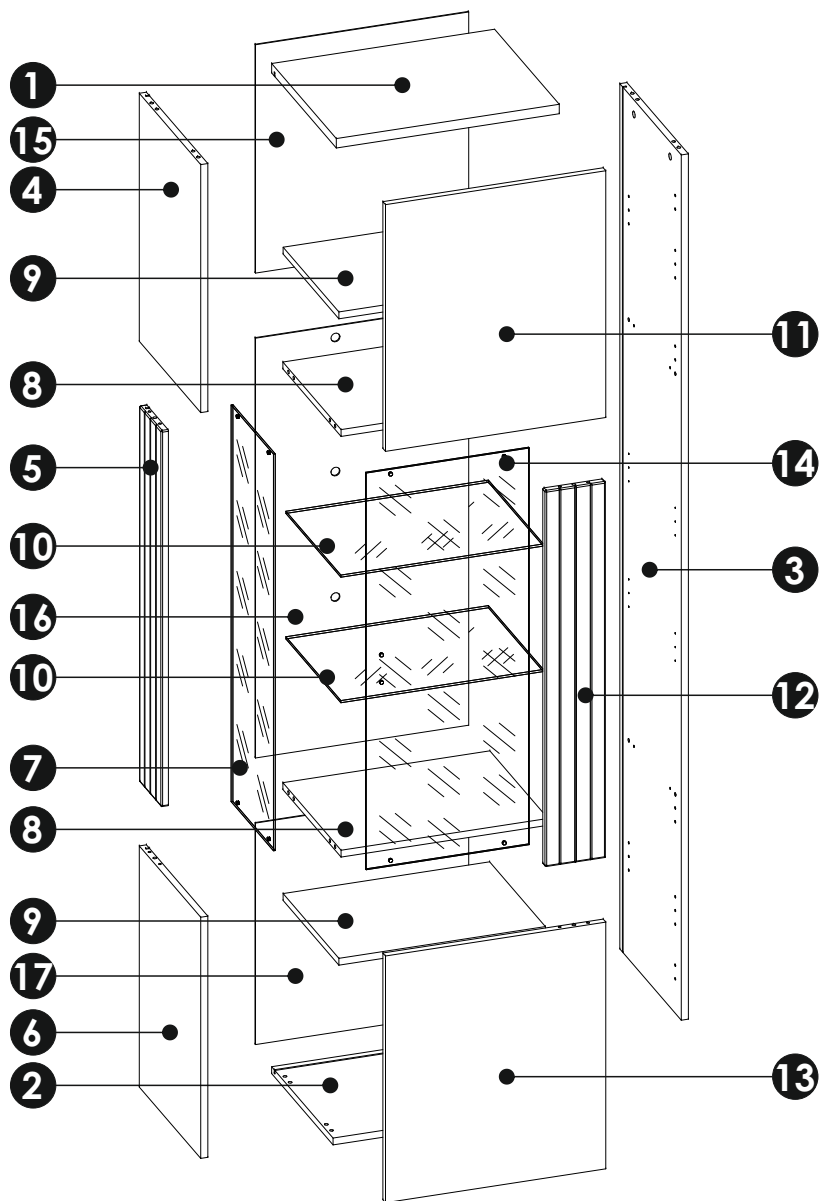
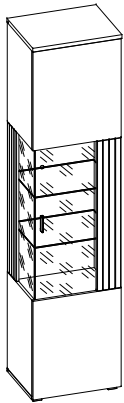


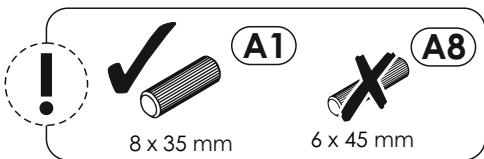
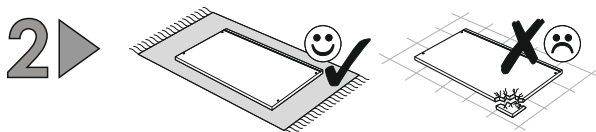
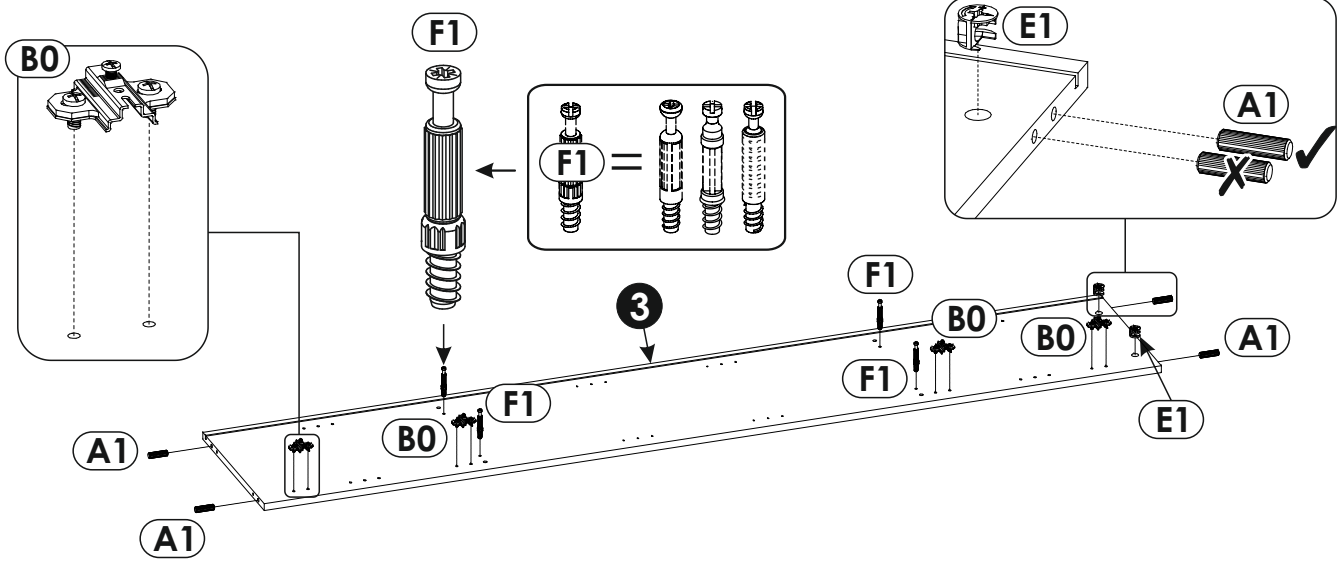
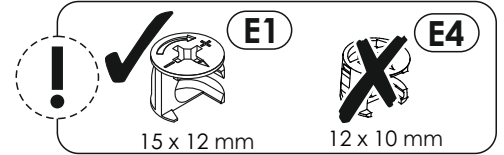
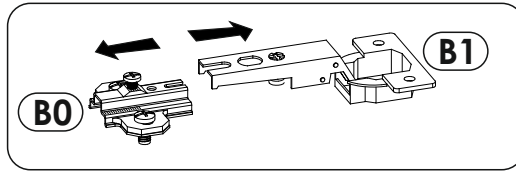
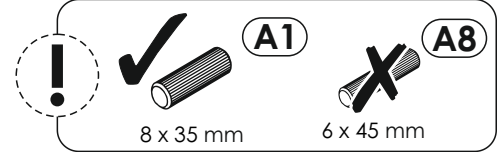
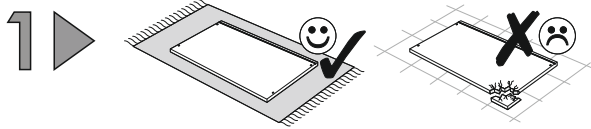
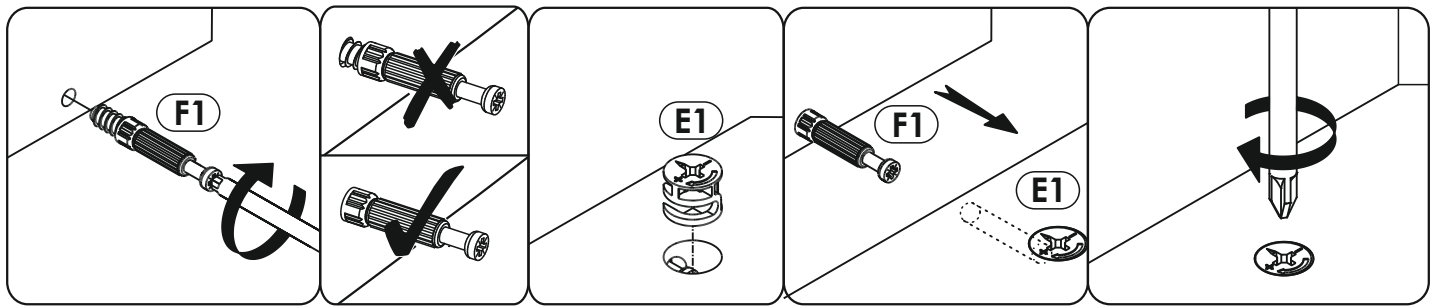
A1 8 x 35 mm x16 	A8 6 x 45 mm x8 	B0 + B1 x4 
C2 5 x 13 mm x14 	D2 x8 	D5 x6 
E0 Ø16 x12 	E1 15 x 12 mm x12 	E4 12 x 10 mm x8 
F1 6 x 34 mm x12 	F3 7 x 64 mm x4 	G1 7 x 50 mm x4 
H1 x1  L - 84 mm	I2 4 x 16 mm x11 	I4 3,5 x 27 mm x8 
M x1 	N1 3 x 16 mm x15 	O4 x4 
P15 x3 	P16 x8 	Q9 x2 
R1 x6 	R2 x6 	R3 x10 
R4 x10 	R8 x4 	S13 x1  Ø8
Z x1 		



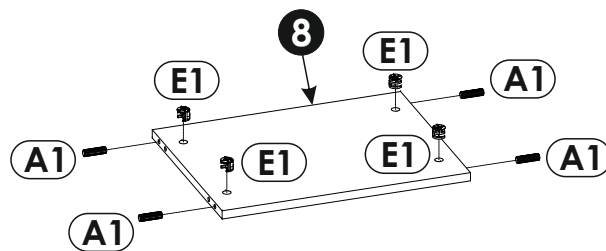
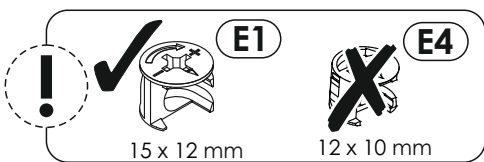


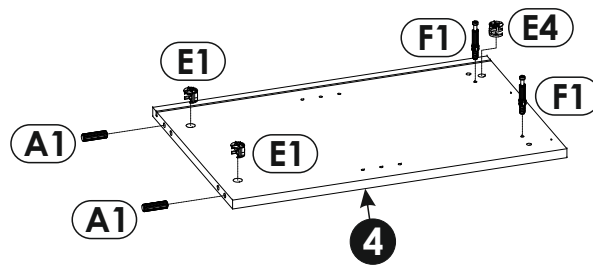
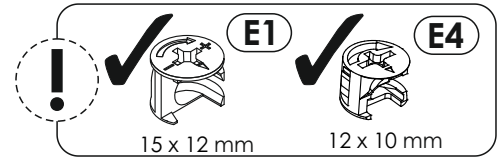
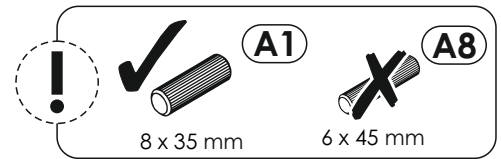
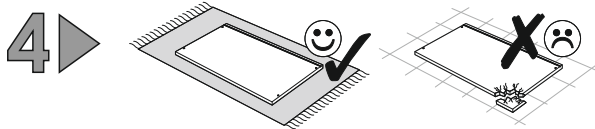
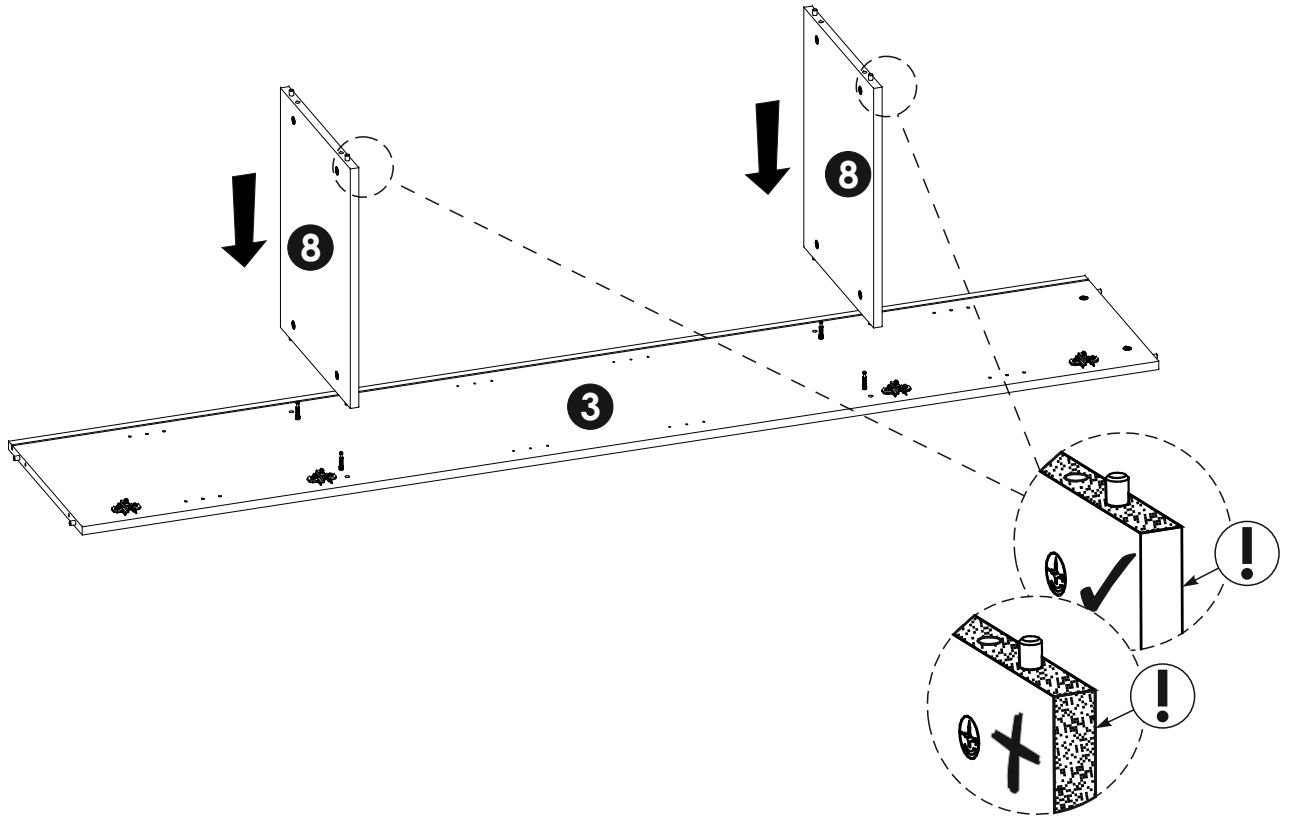
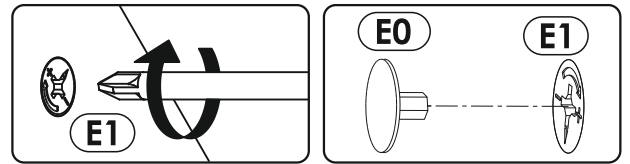
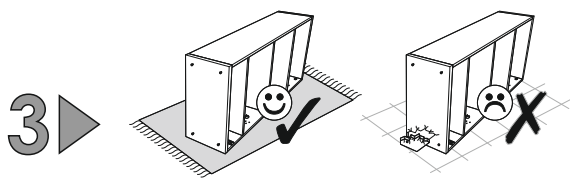
1	502	400	22	x1	1/2
2	500	380	16	x1	2/2
3	2020	380	16	x1	2/2
4	579	380	16	x1	2/2
5	878	136	16	x1	1/2
6	563	380	16	x1	2/2
7	926	262	4	x1	2/2
8	466	360	16	x2	1/2
9	465	345	16	x2	2/2

10	456	340	5	x2	1/2
11	576	496	16	x1	1/2
12	878	136	16	x1	1/2
13	576	496	16	x1	1/2
14	926	367	4	x1	2/2
15	533	480	3	x1	1/2
16	980	480	3	x1	1/2
17	517	480	3	x1	1/2

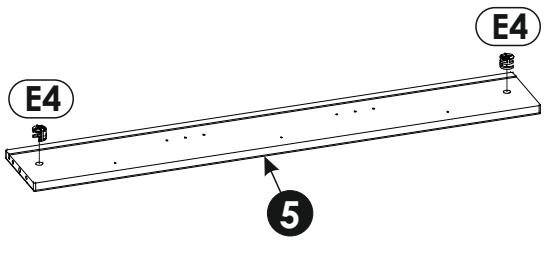
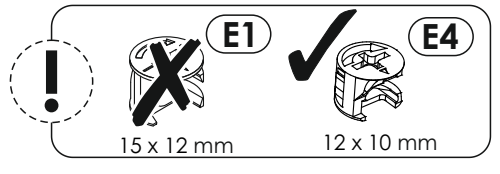
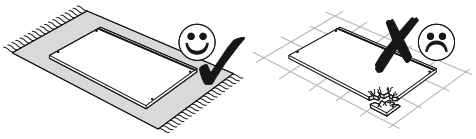


x2

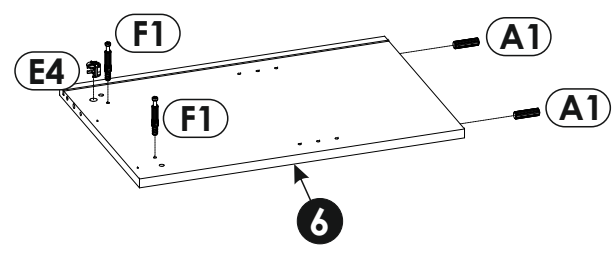
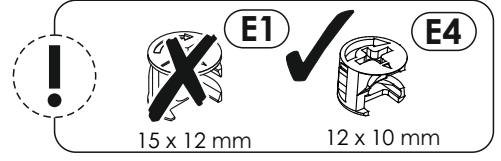
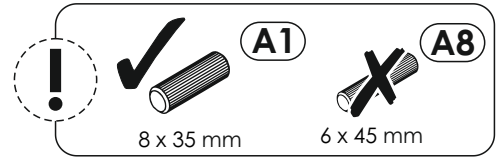
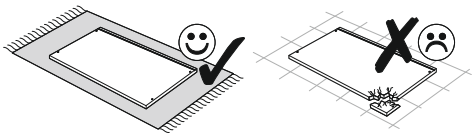


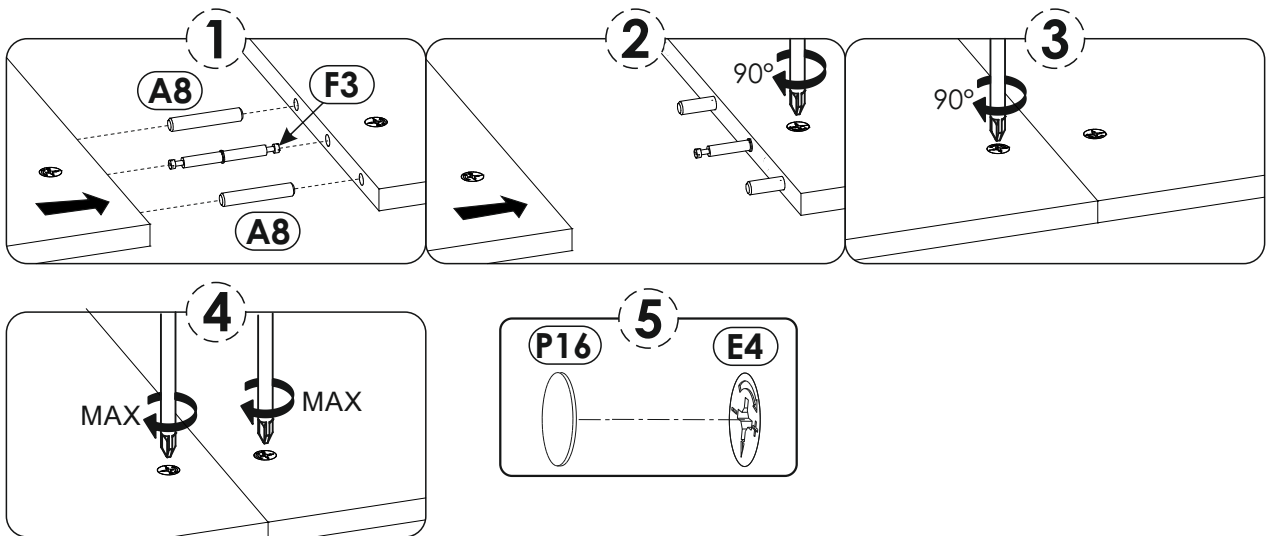
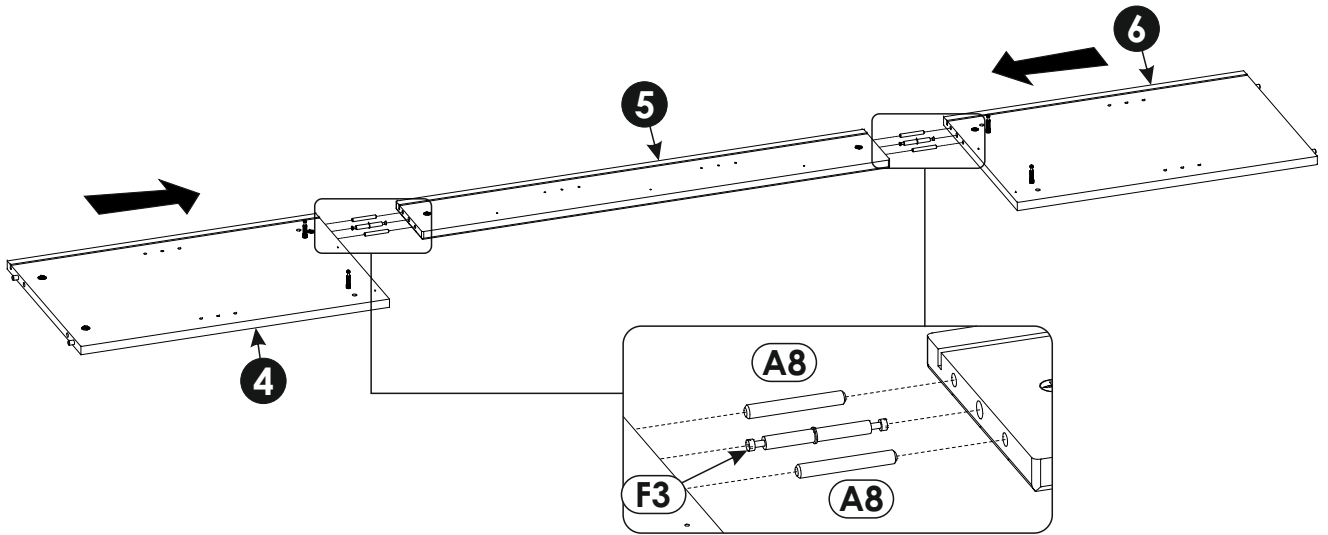
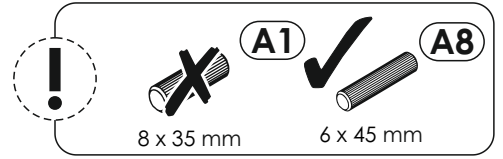
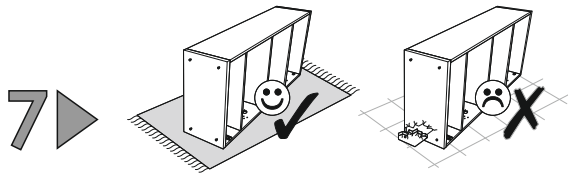


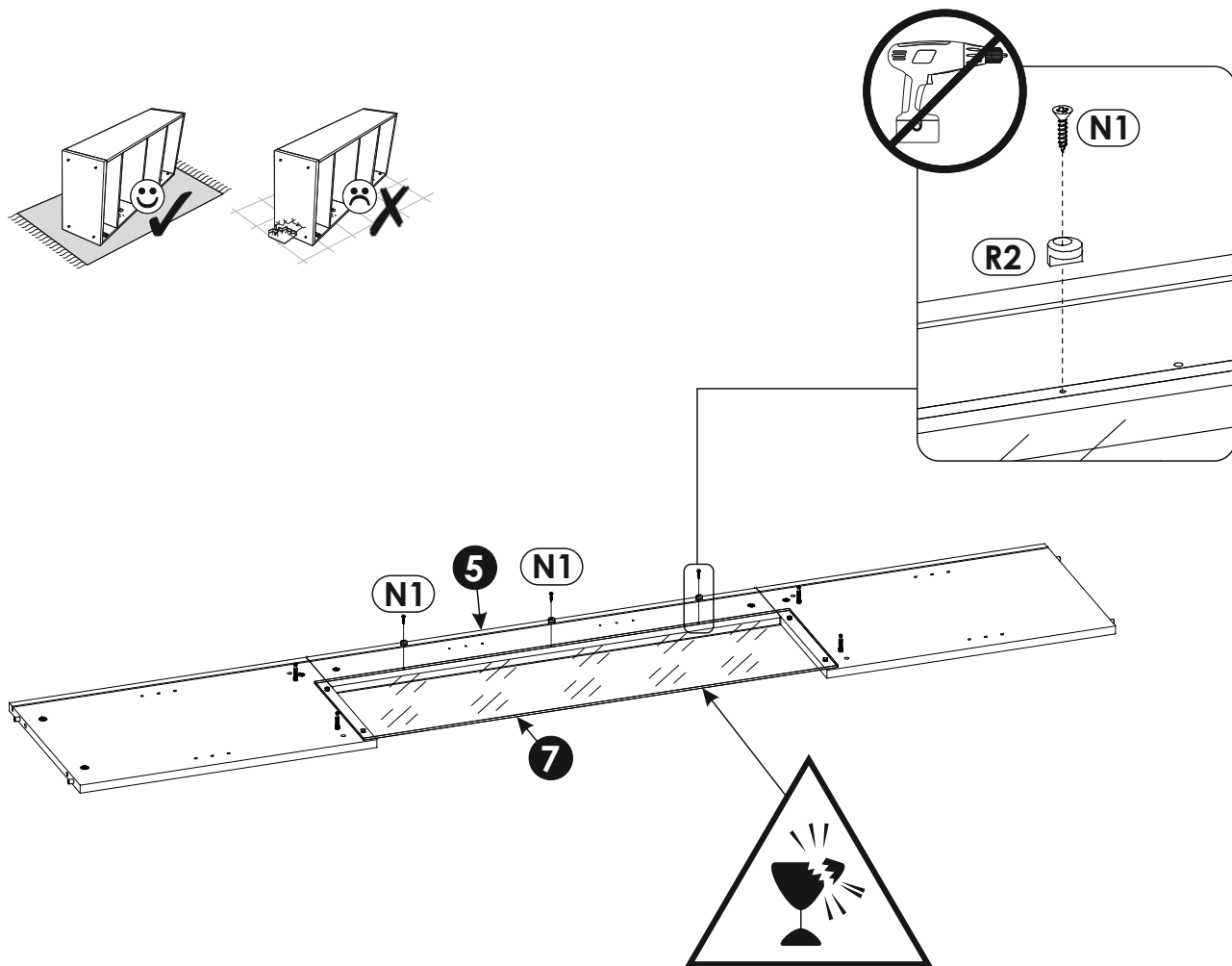
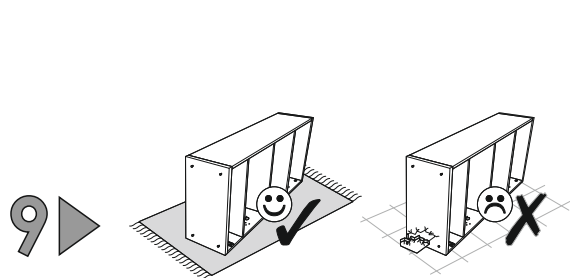
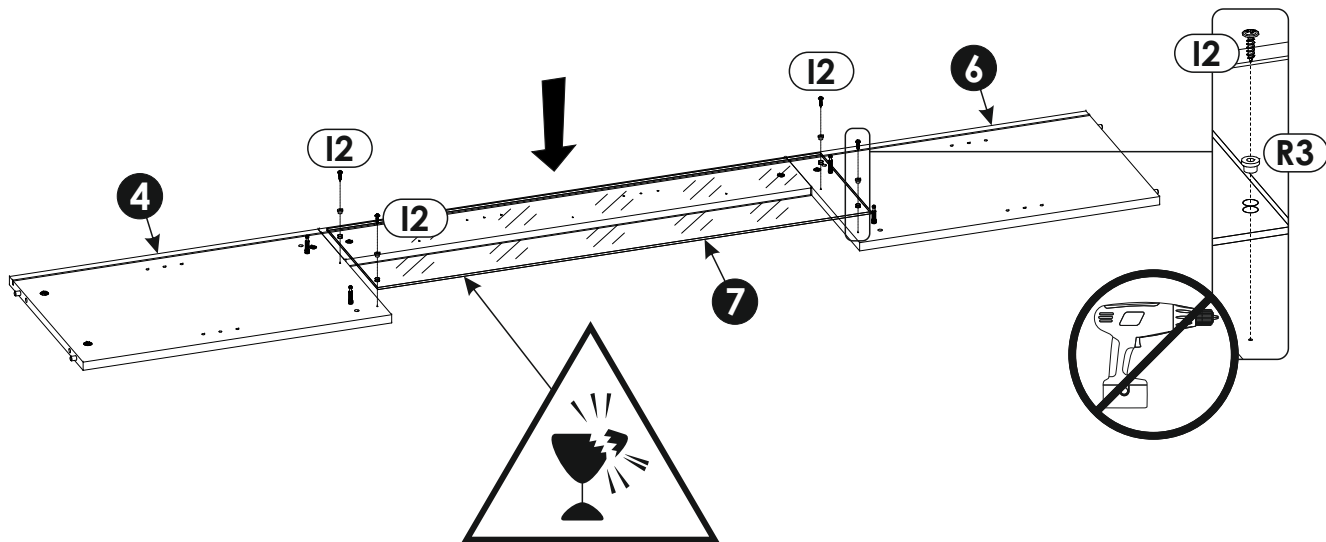
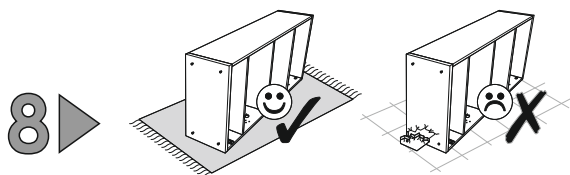
5 ▶



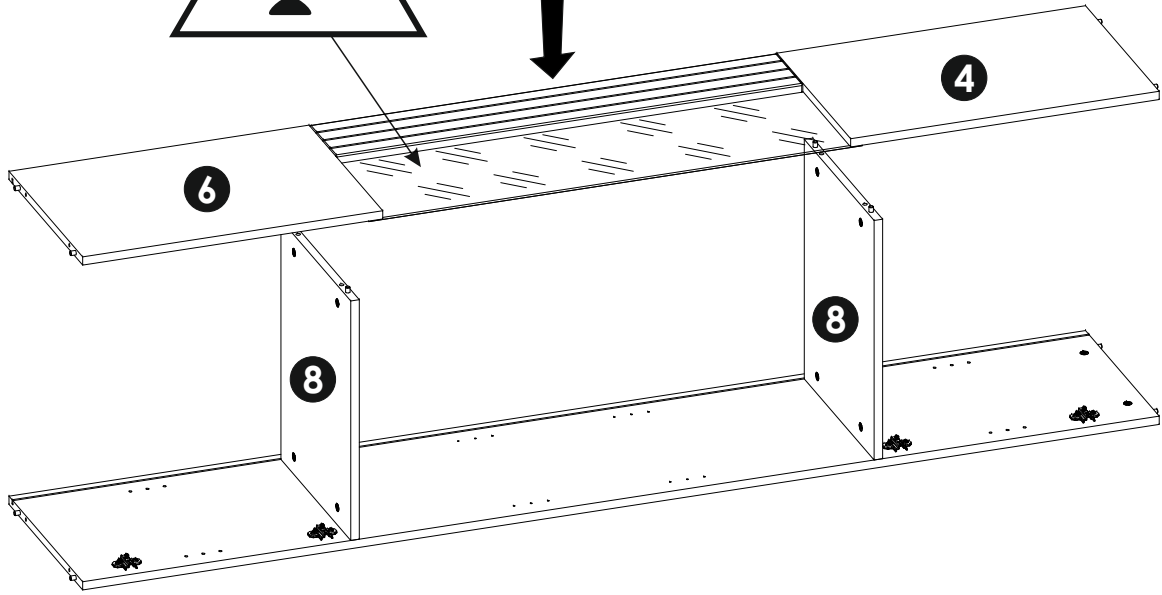
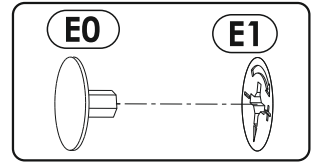
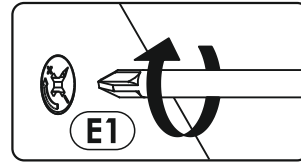
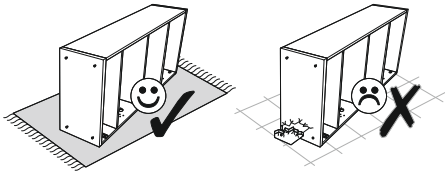
6 ▶



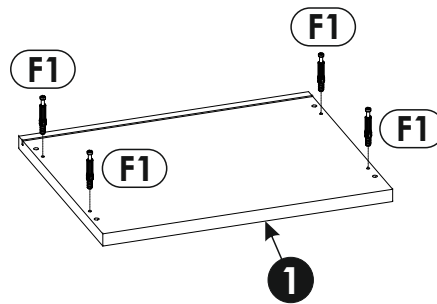
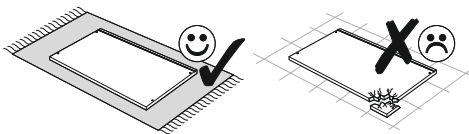




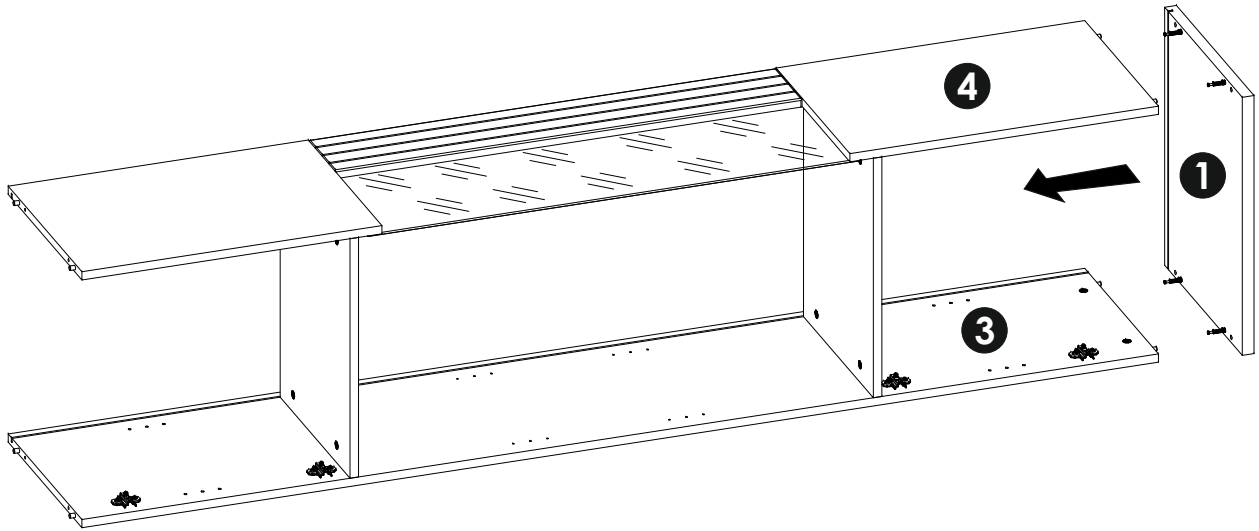
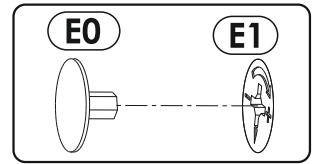
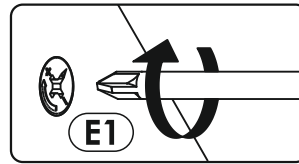
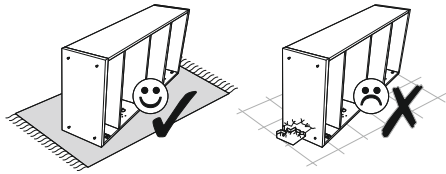
10 ▶



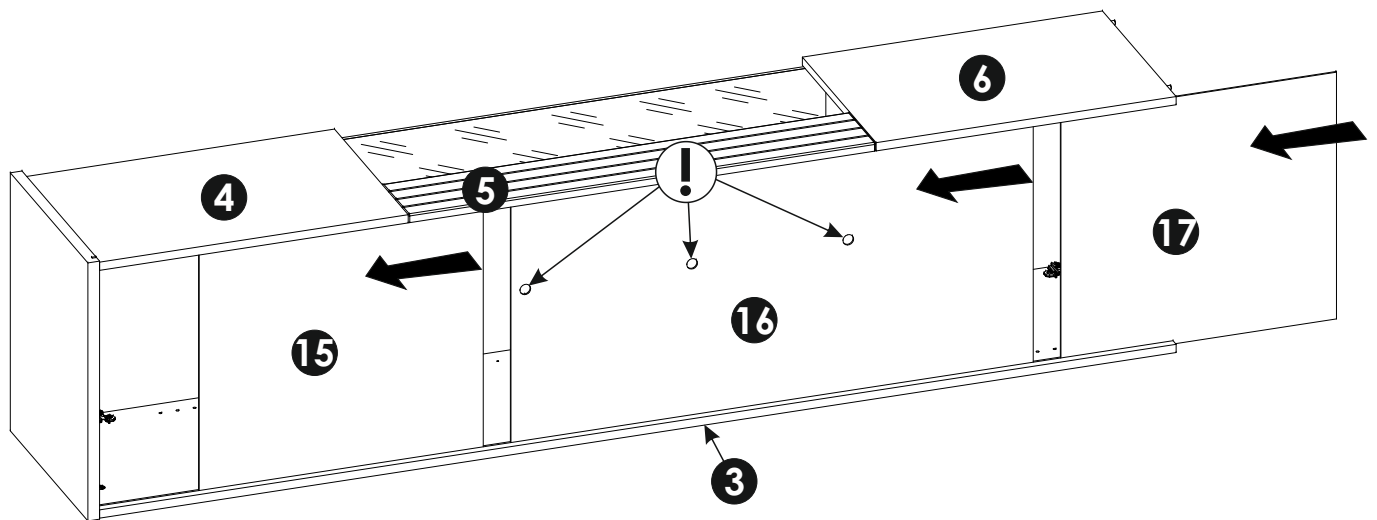
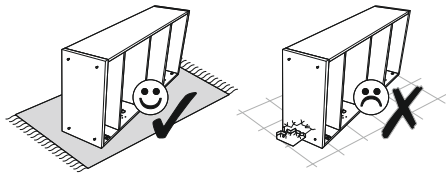
11 ▶

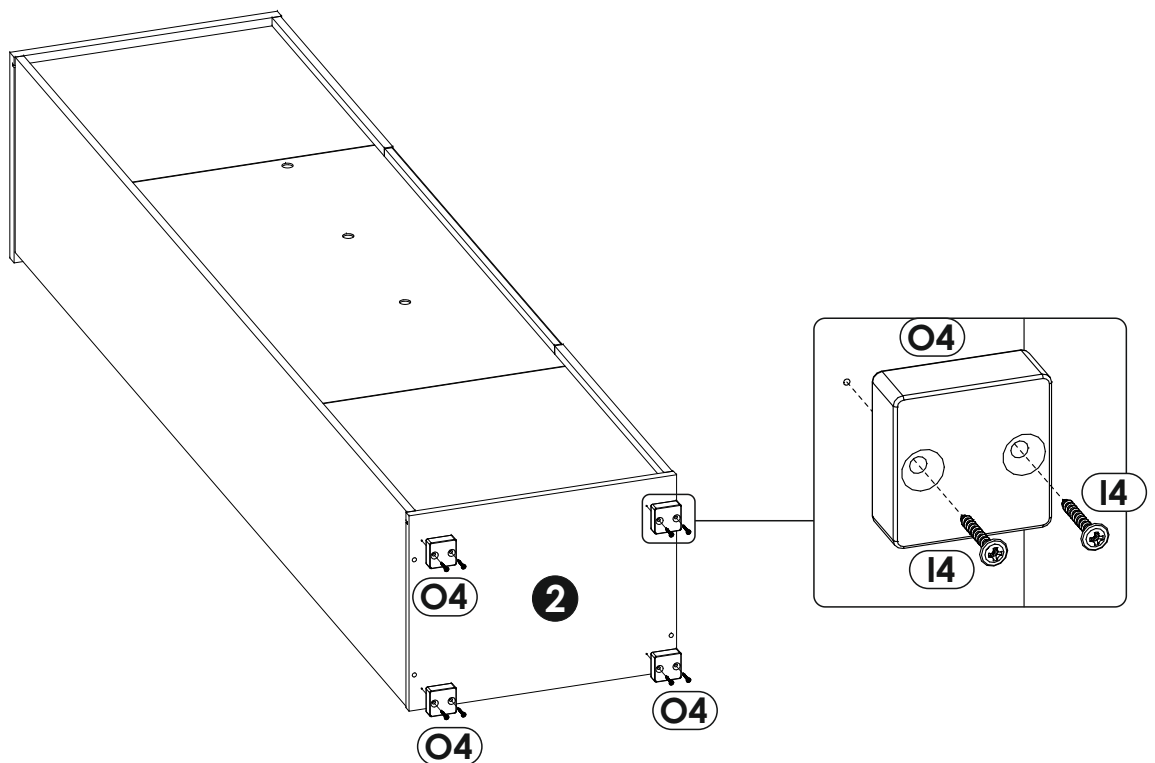
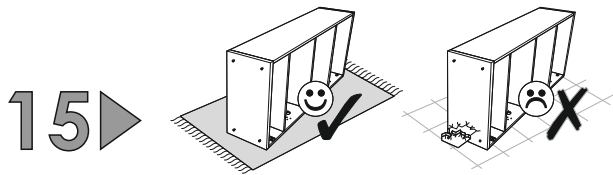
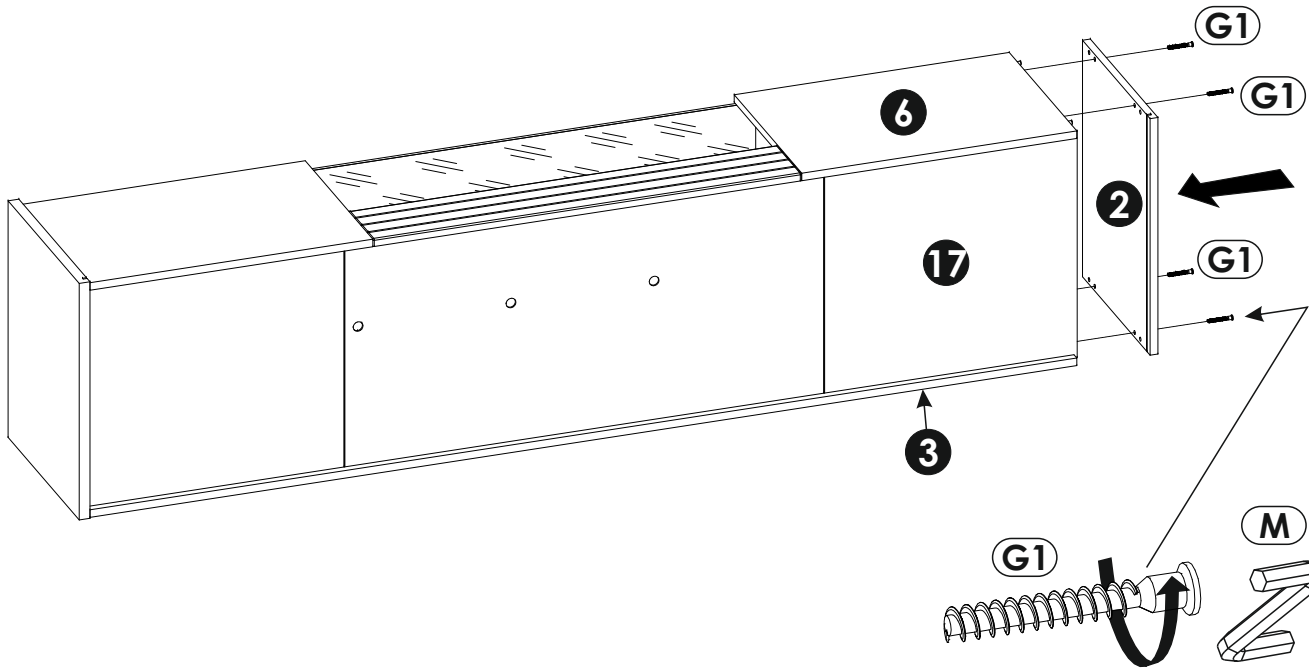
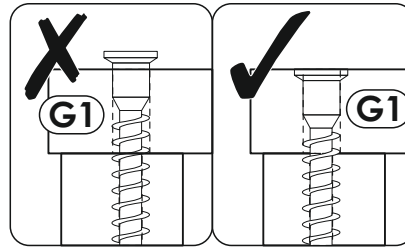
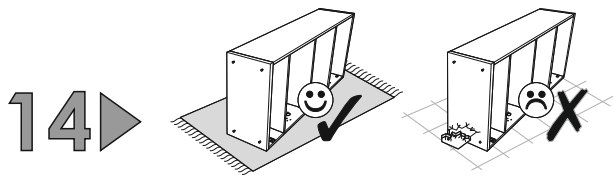


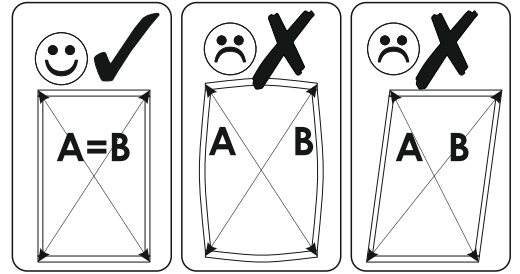
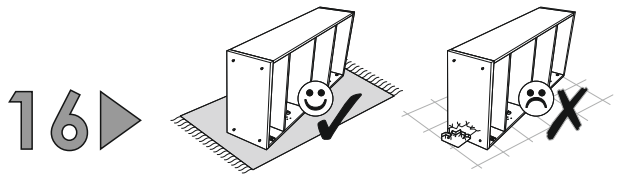
12 ▶▶



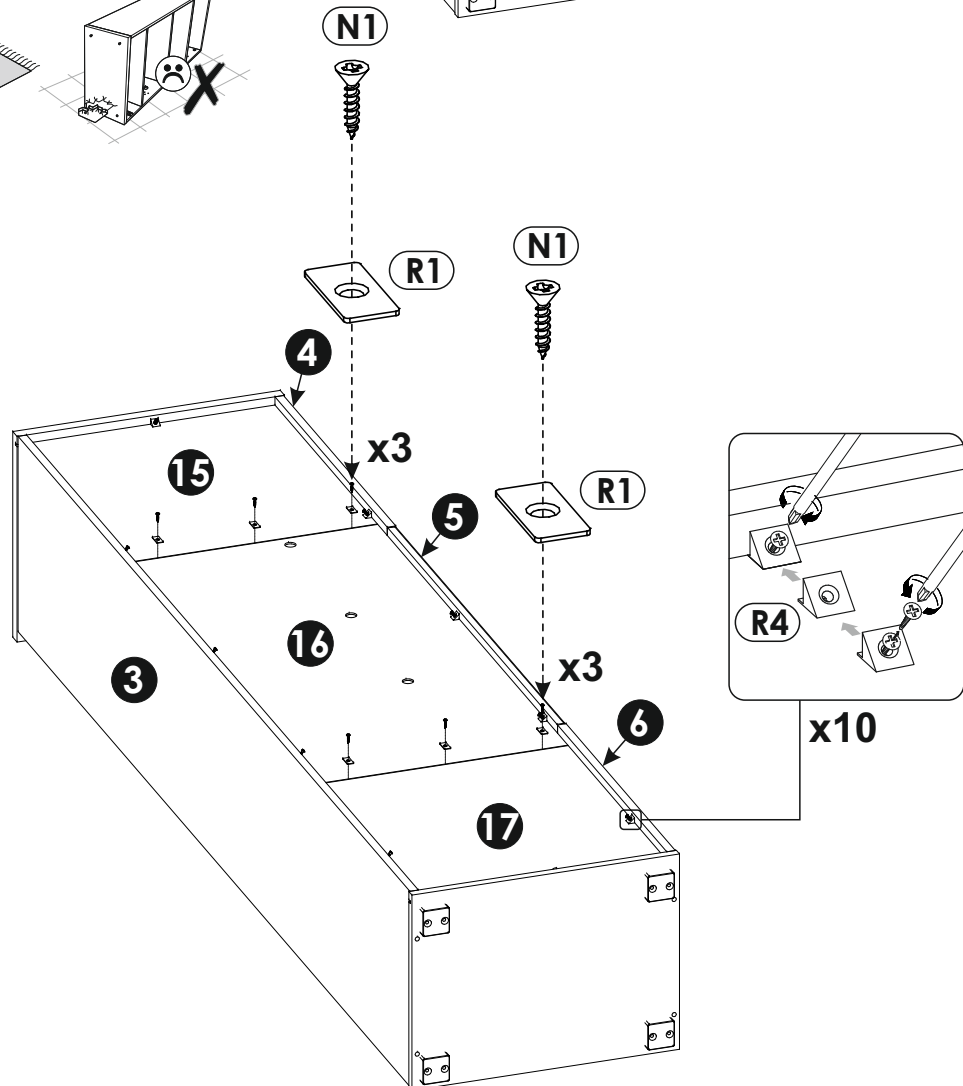
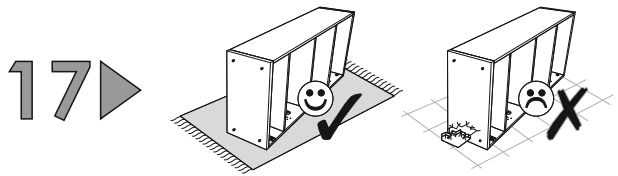
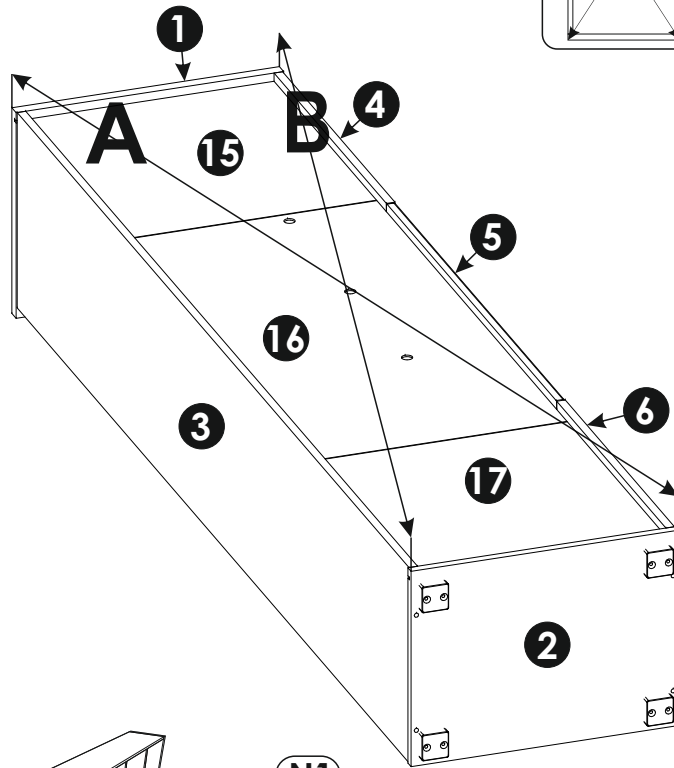
13 ▶▶



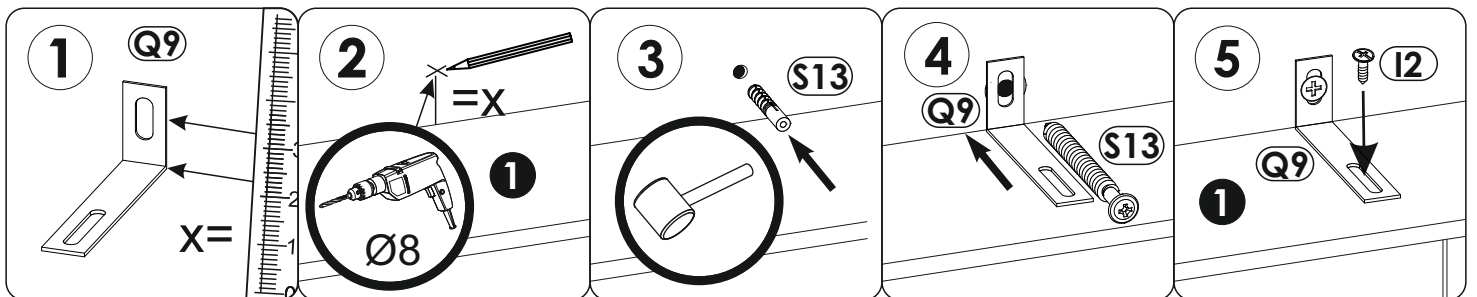
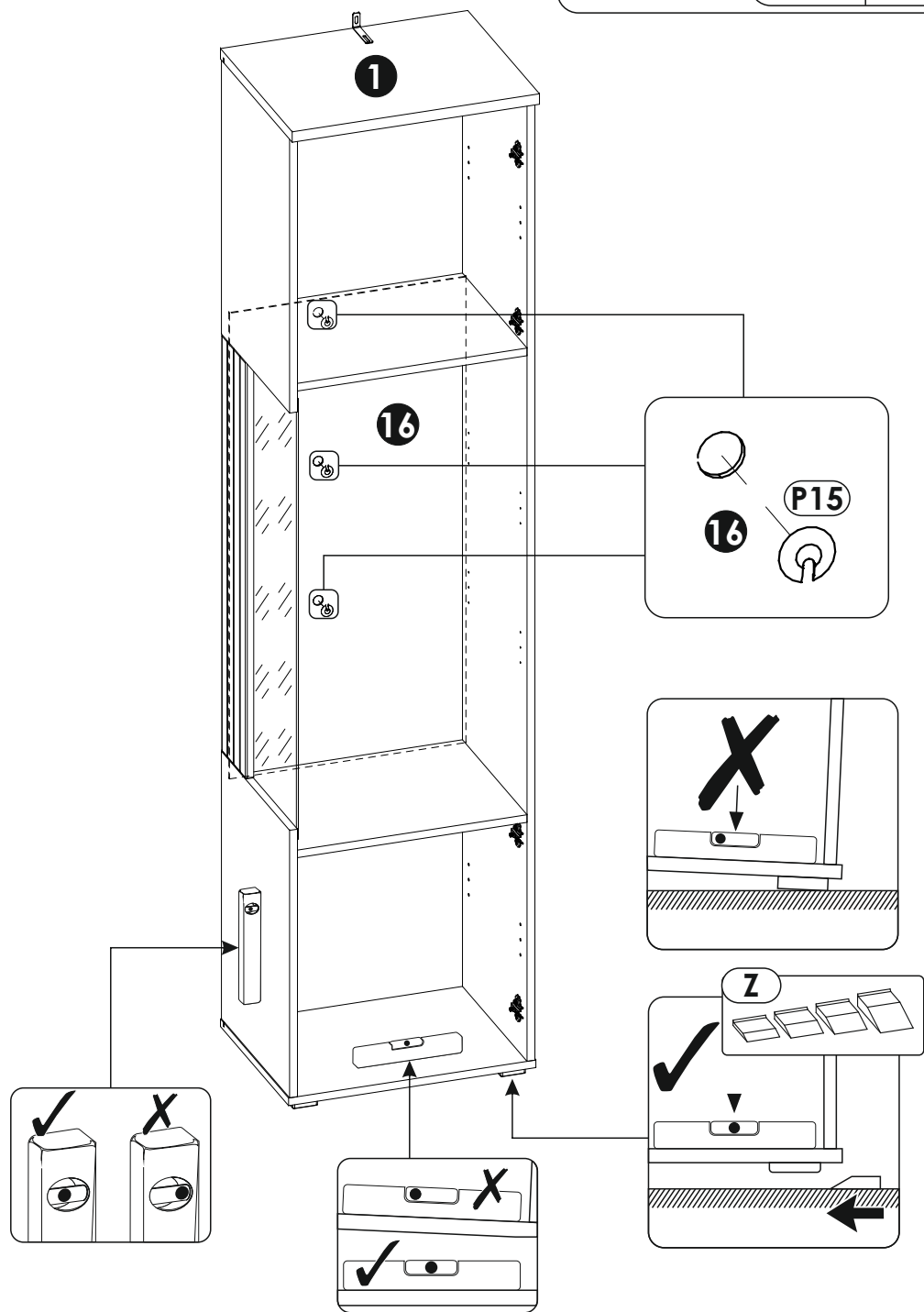
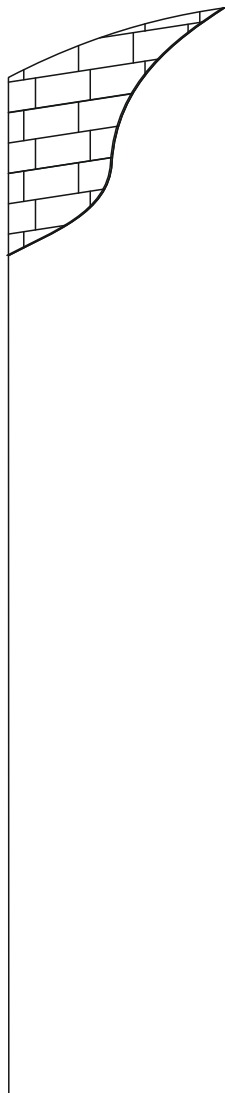
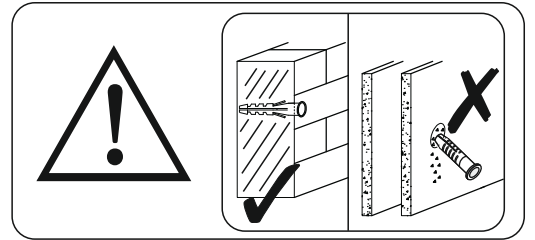




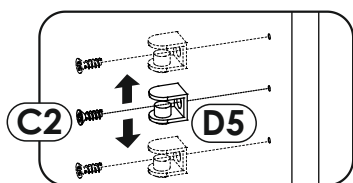
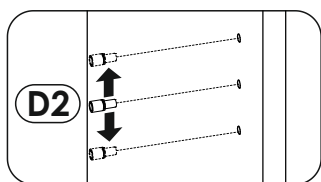
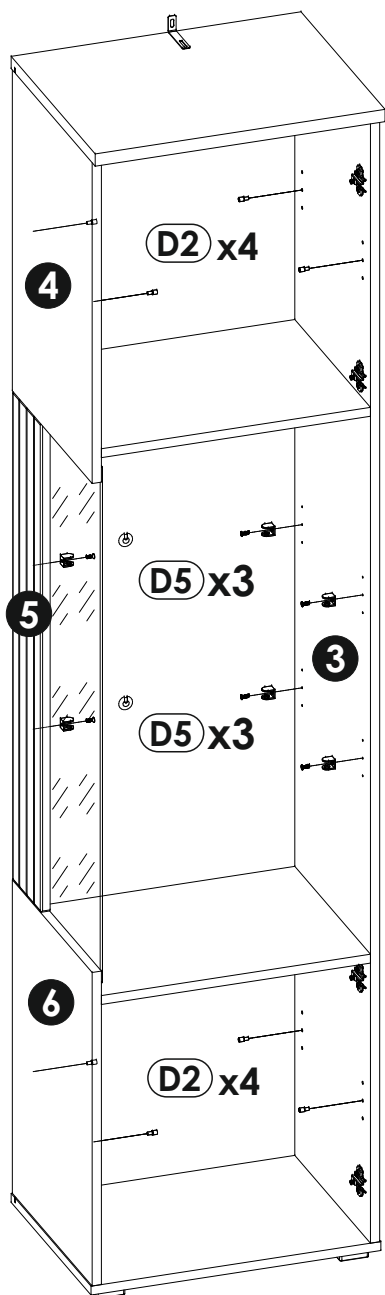
A=B



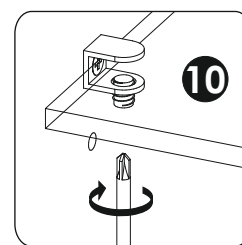
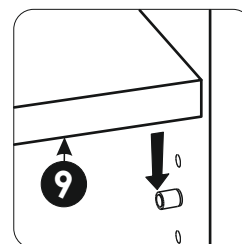
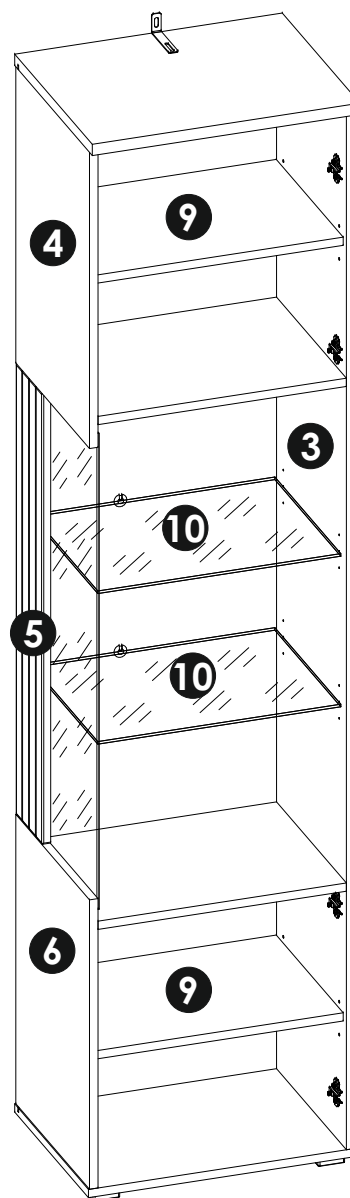
18 ▶

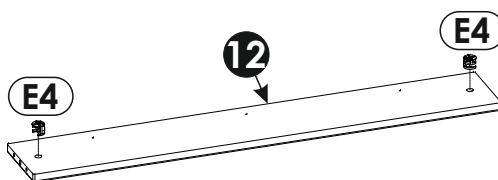
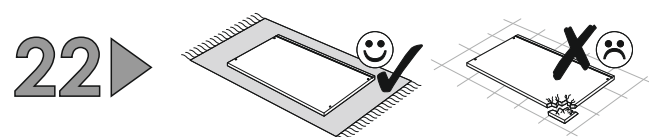
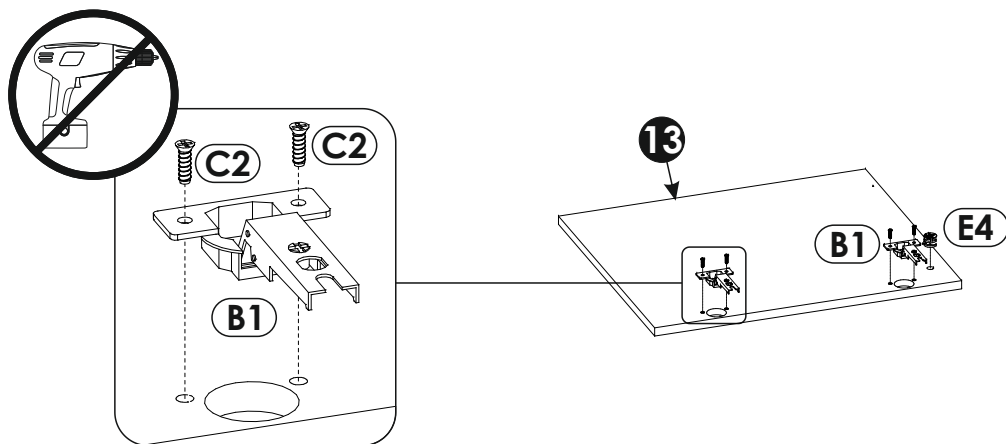
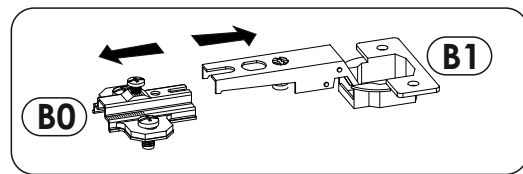
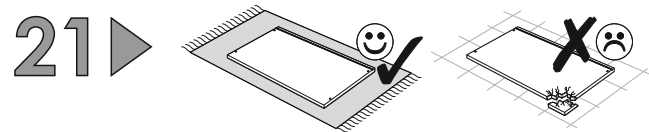


19▶

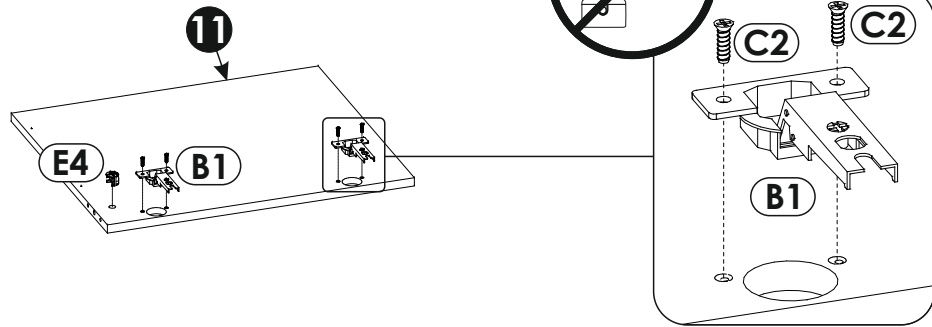
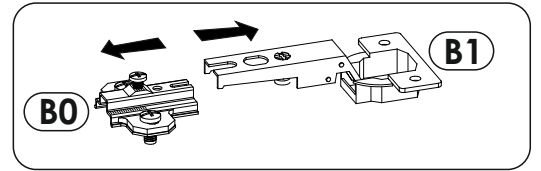
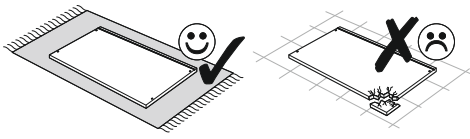


20▶

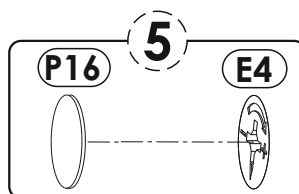
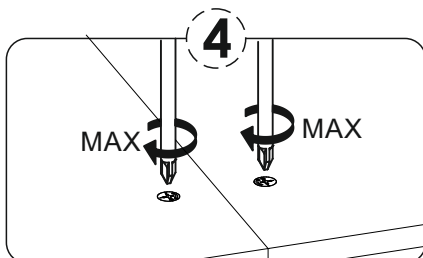
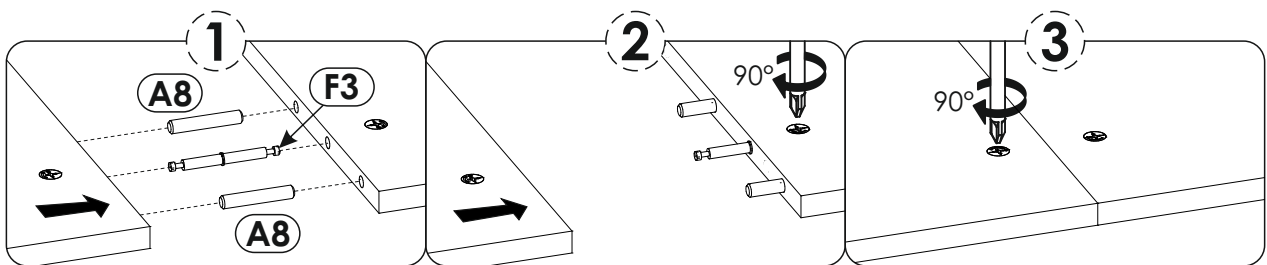
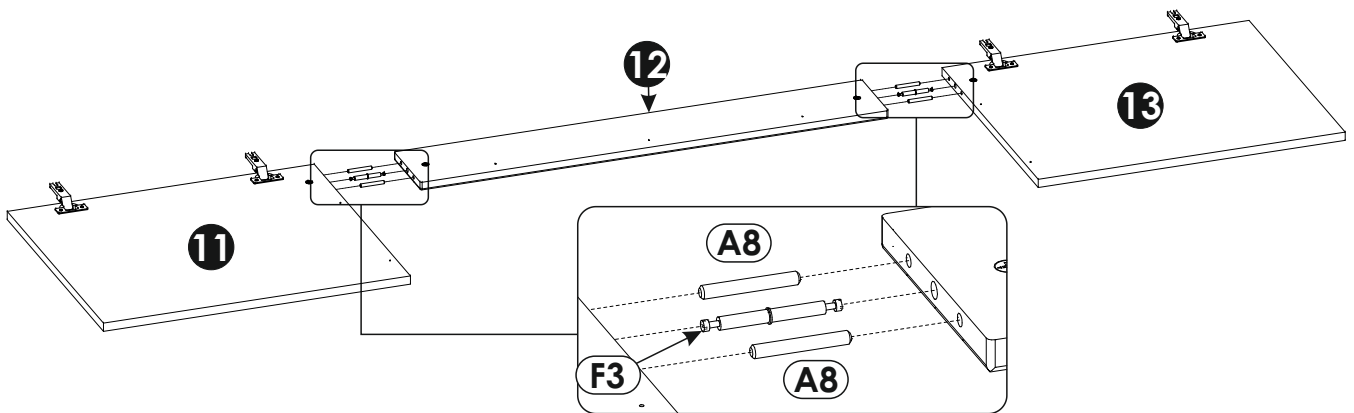
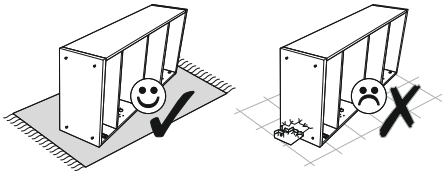


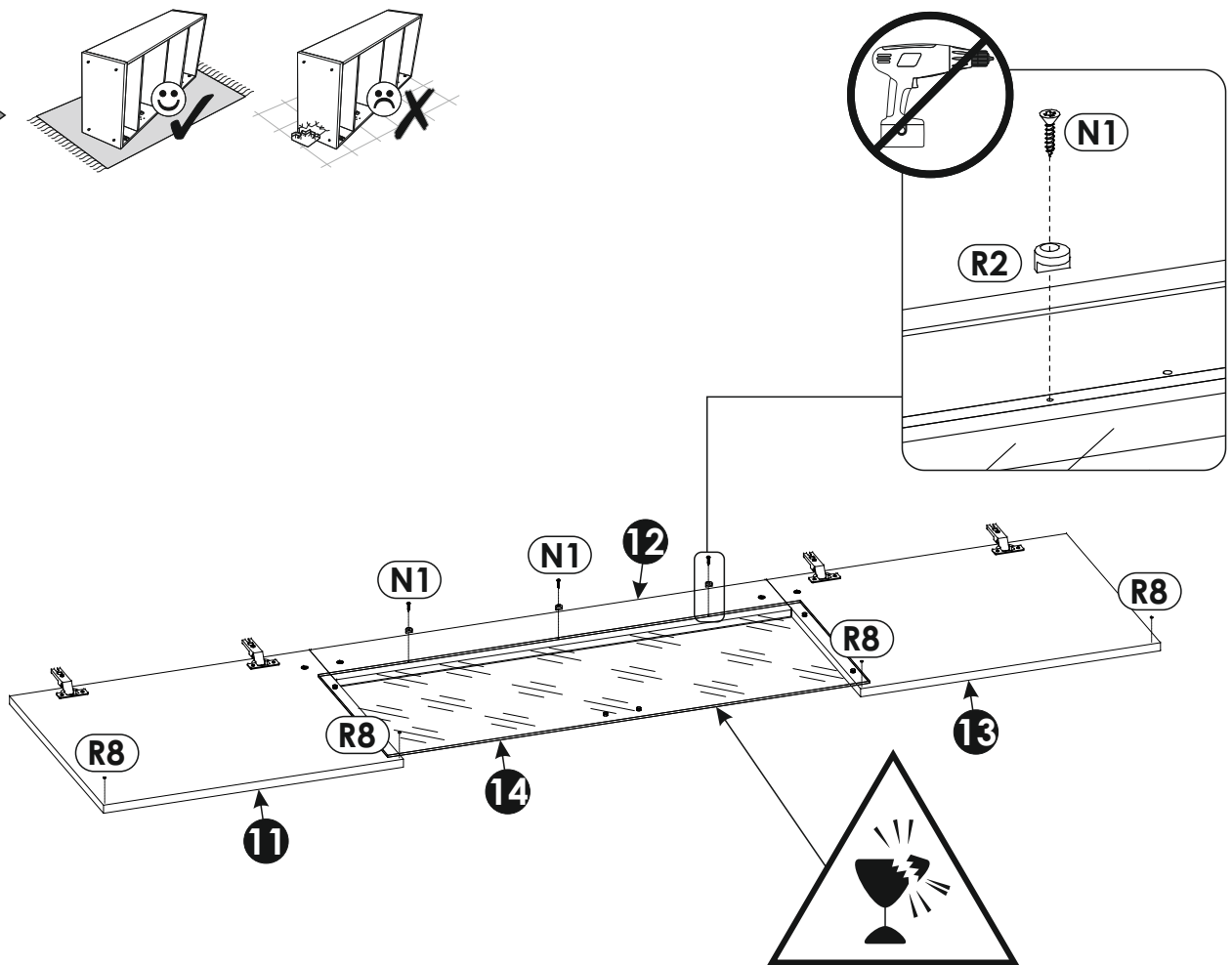
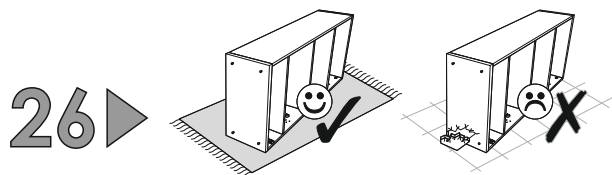
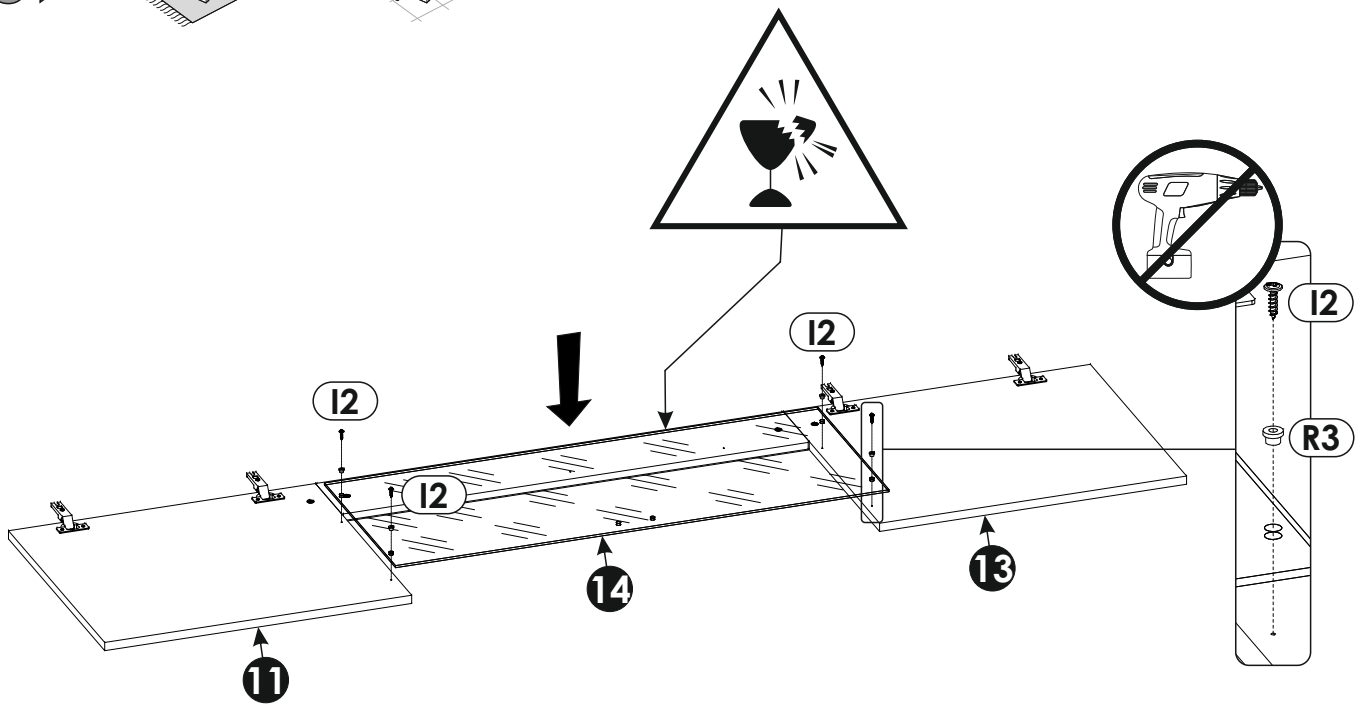
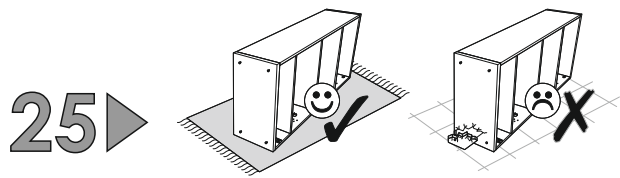


23 ▶

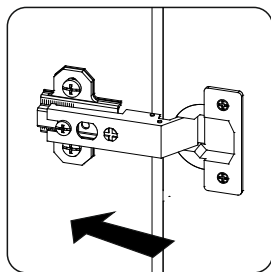
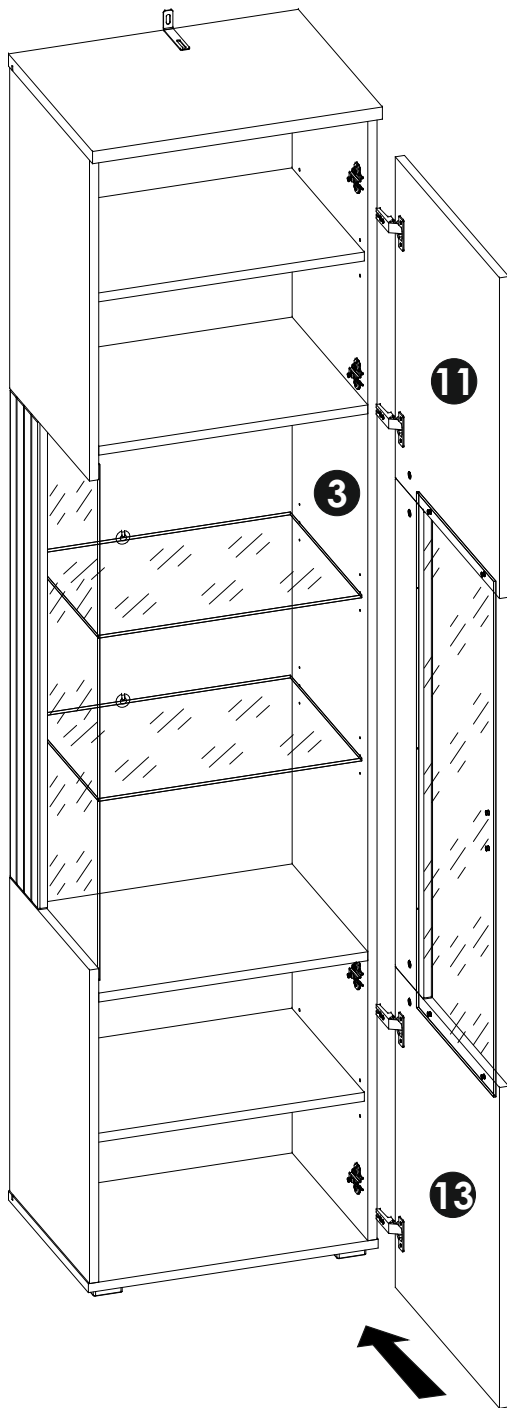


24 ▶

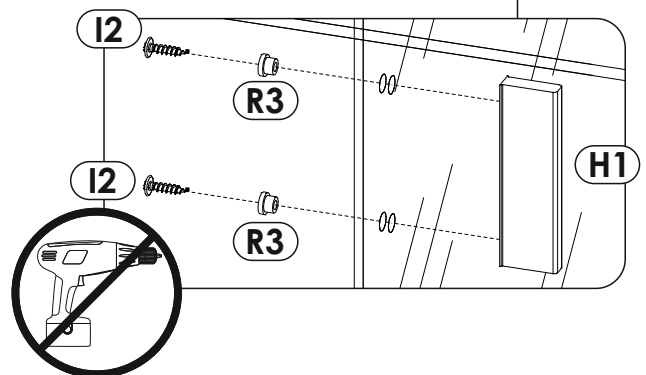
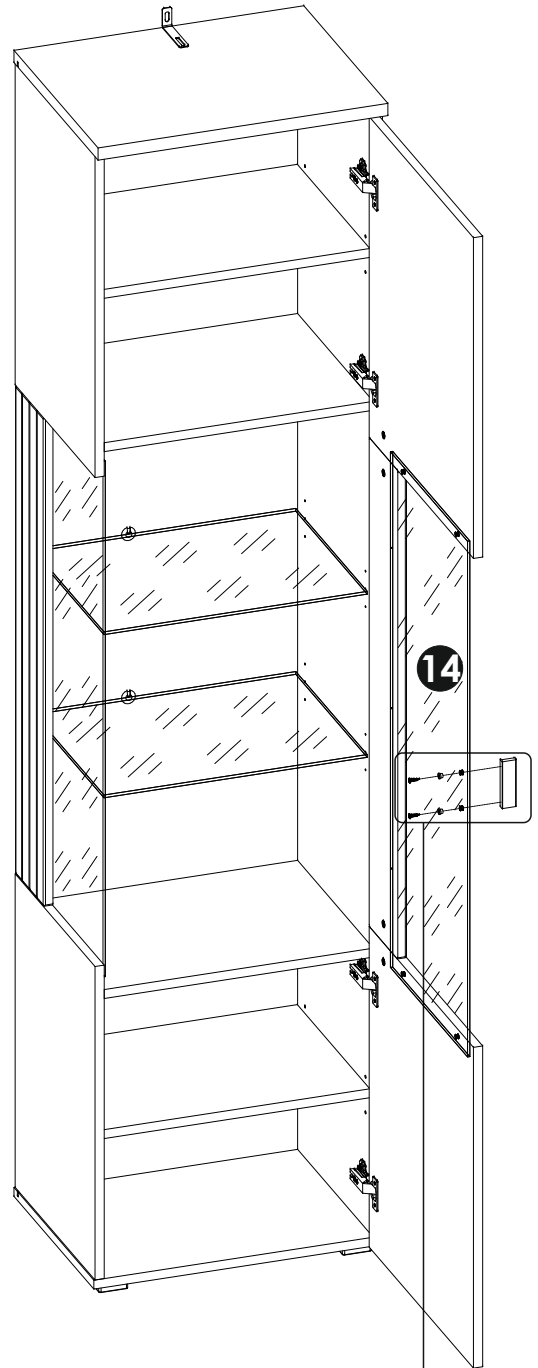




27 ▶



28 ▶



29 ▶

