
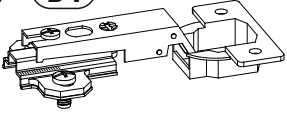
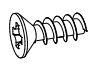



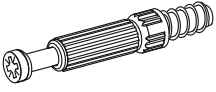

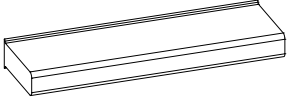

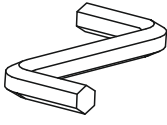

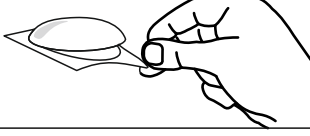
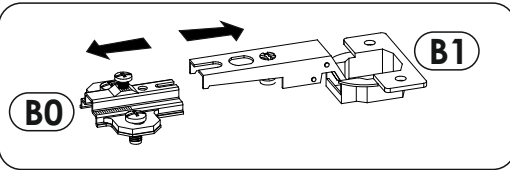
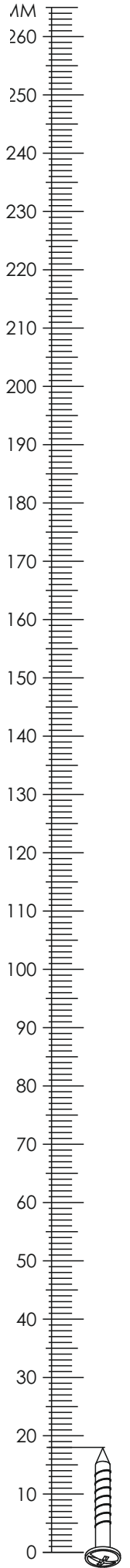
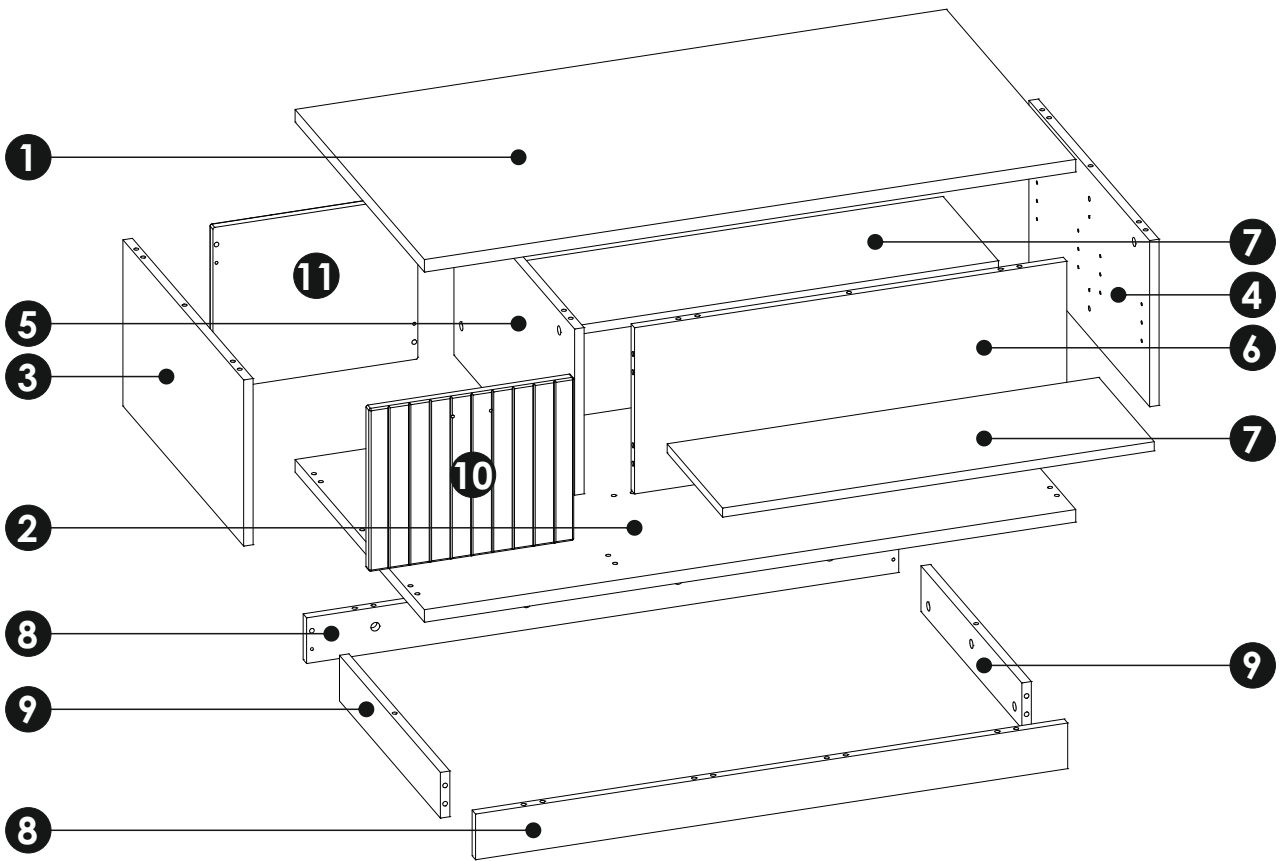
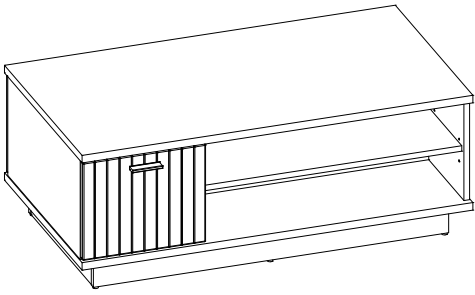


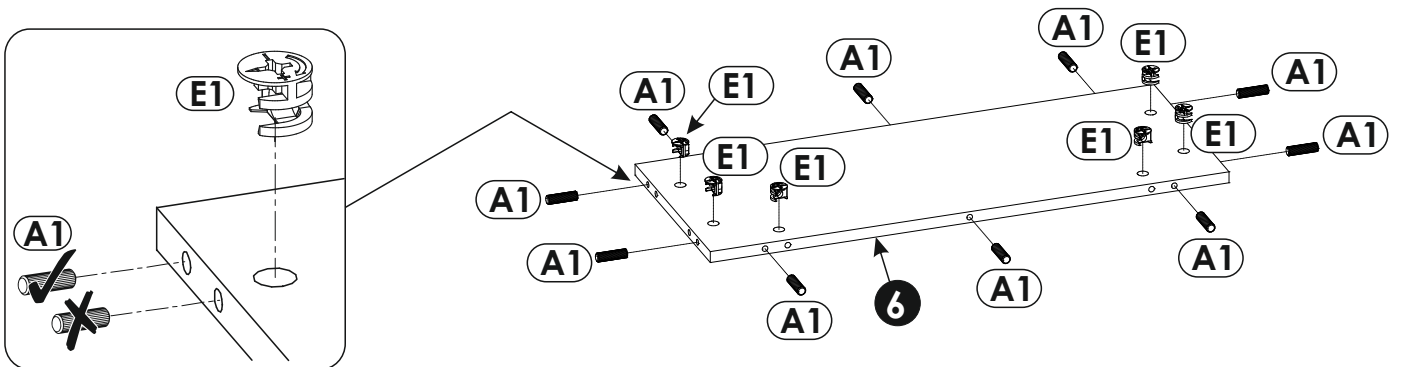
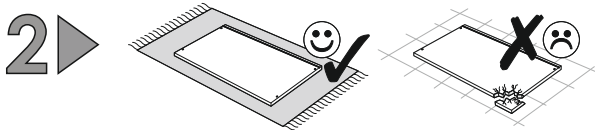
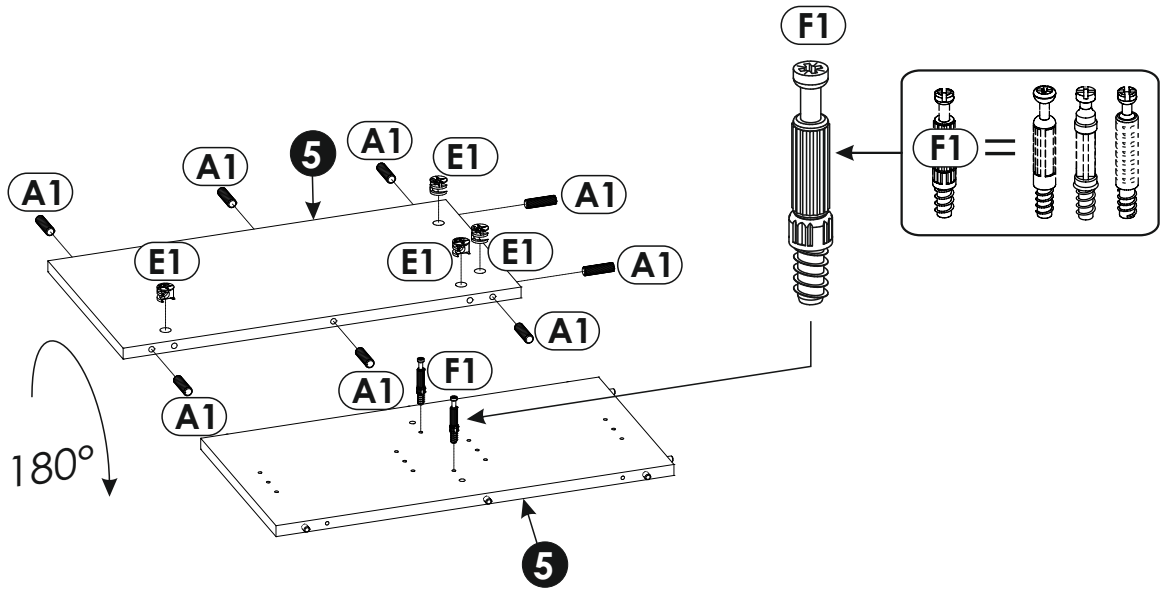
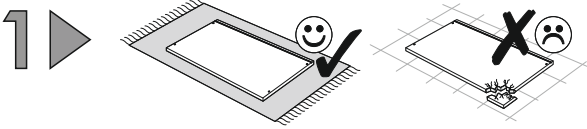
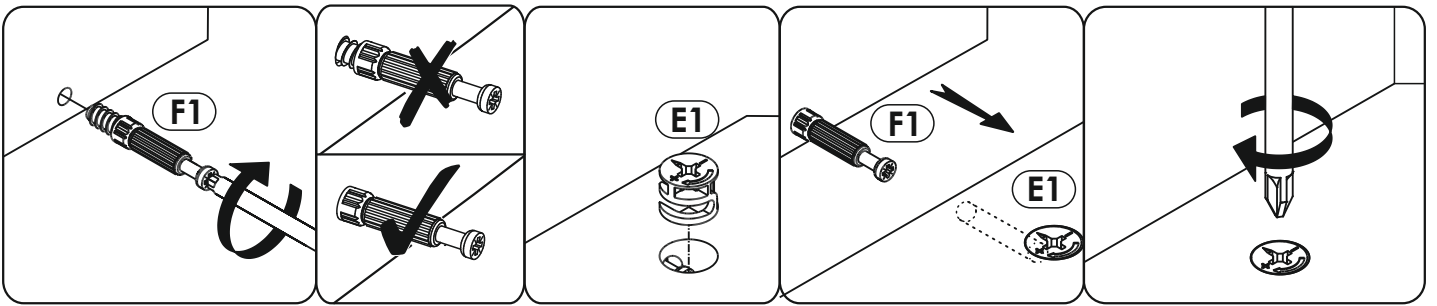
A1 8 x 35 mm x44 	B0 + B1 x2 	C2 5 x 13 mm x4 
D6 x8 	E0 Ø16 x16 	E1 15 x 12 mm x30 
F1 6 x 34 mm x30 	G1 7 x 50 mm x8 	H1 x1 L - 84 mm 
I5 3,5 x 27 mm x2 	M x1 	O2 x6 
R8 x2 		

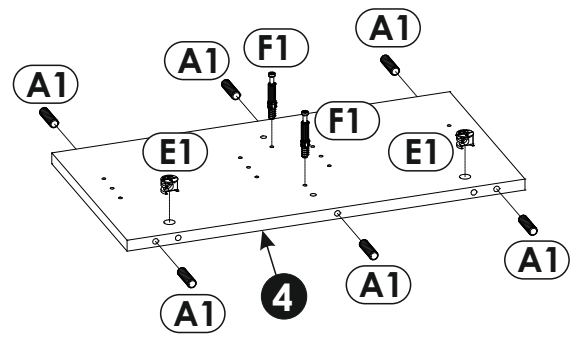
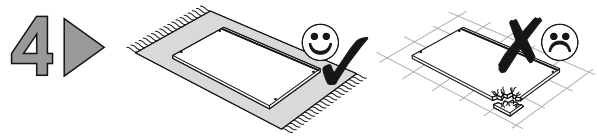
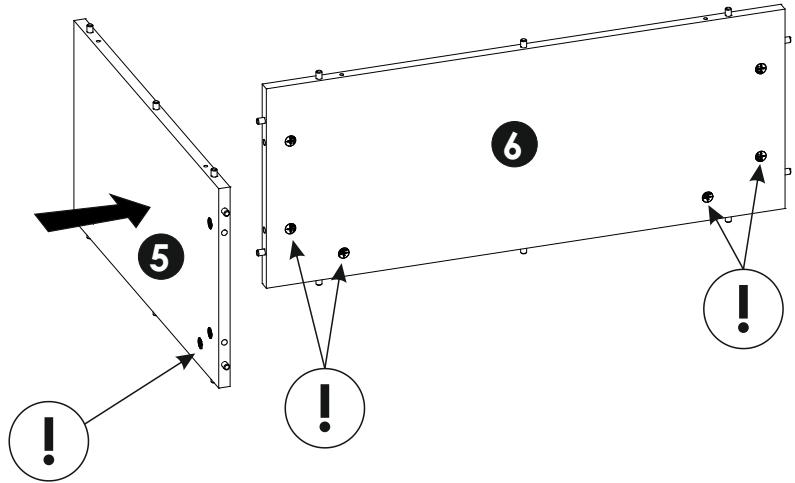
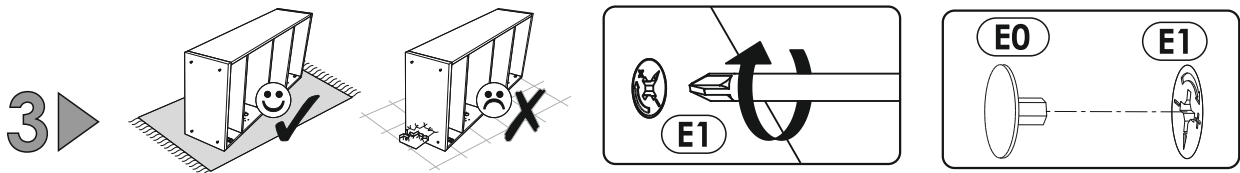


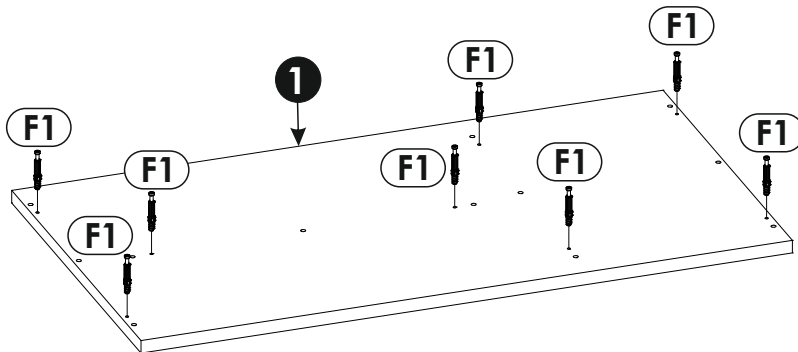
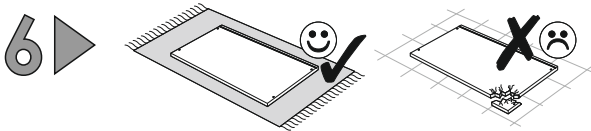
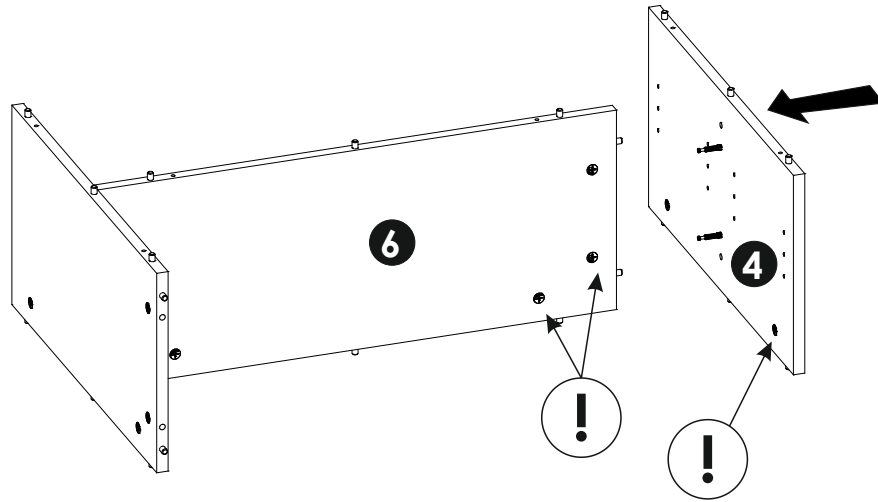
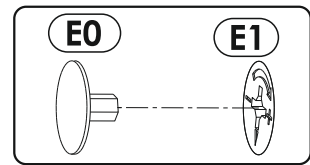
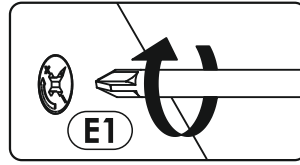
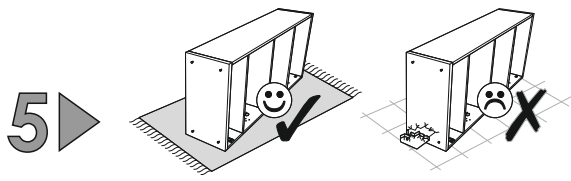


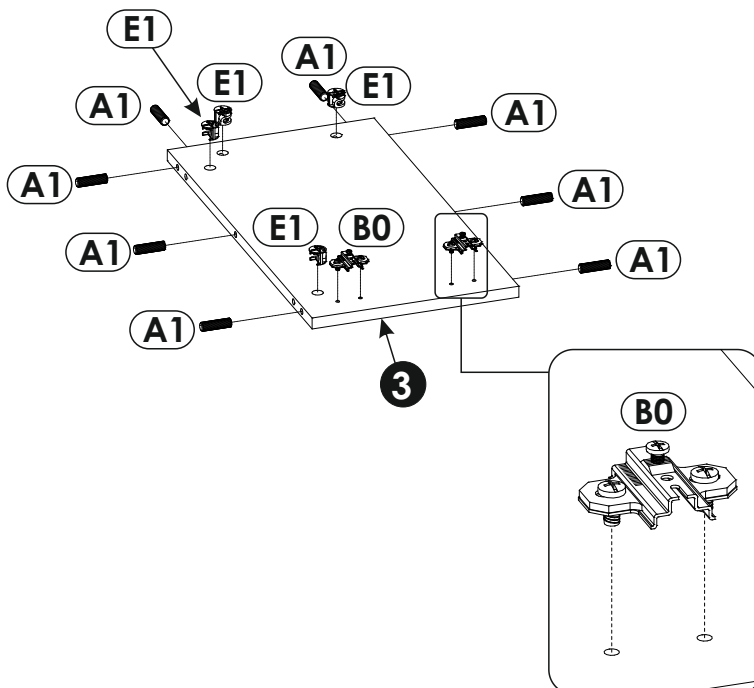
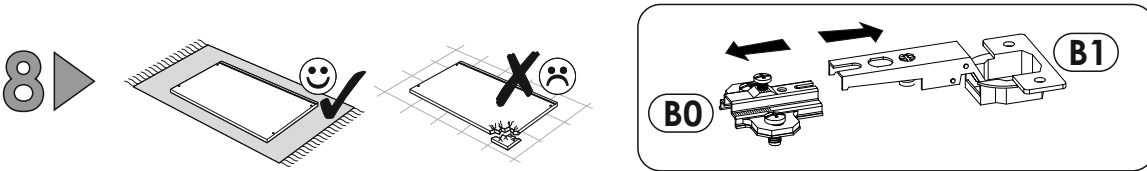
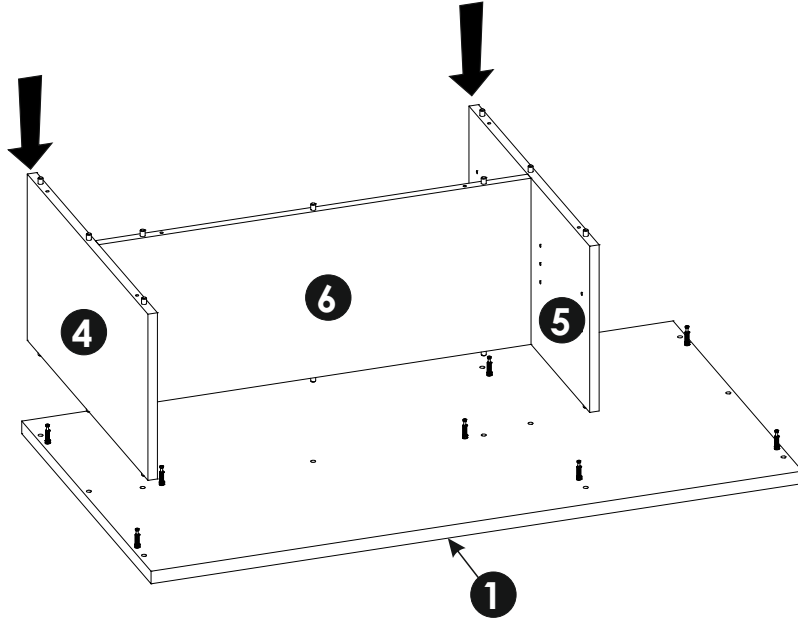
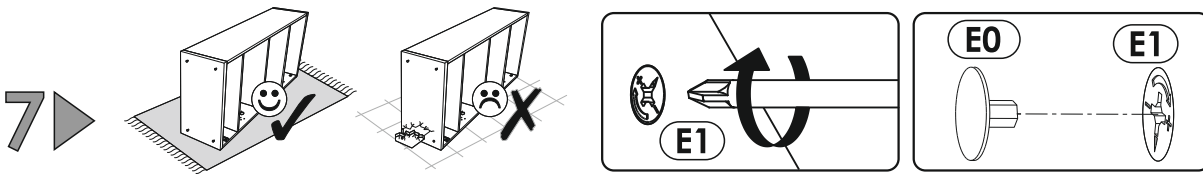
1	1100	600	22	x1	2/2
2	1100	600	22	x1	2/2
3	291	560	16	x1	1/2
4	291	560	16	x1	1/2
5	291	560	16	x1	1/2
6	291	730	16	x1	2/2

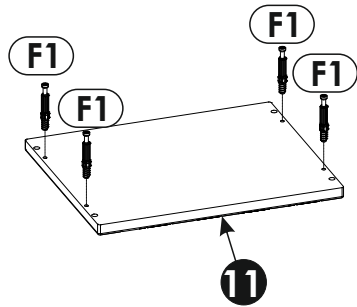
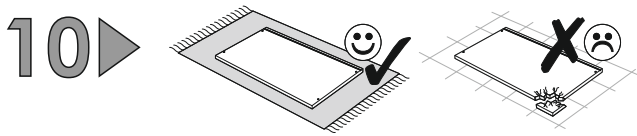
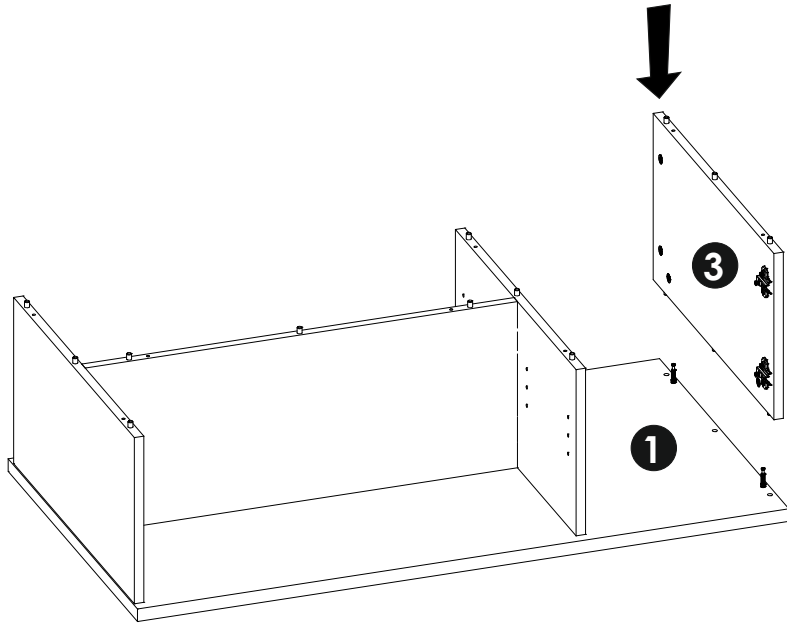
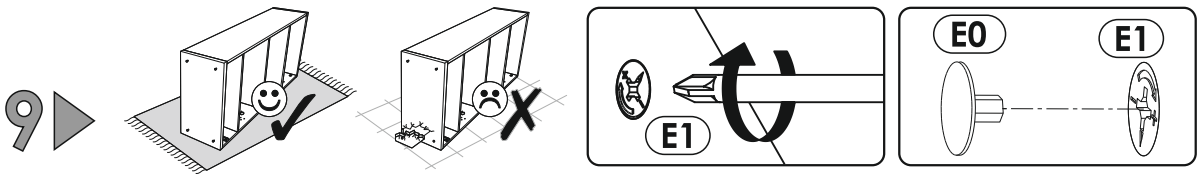
7	729	257	16	x2	1/2
8	1000	80	16	x2	2/2
9	468	80	16	x2	2/2
10	285	346	16	x1	1/2
11	285	346	16	x1	1/2



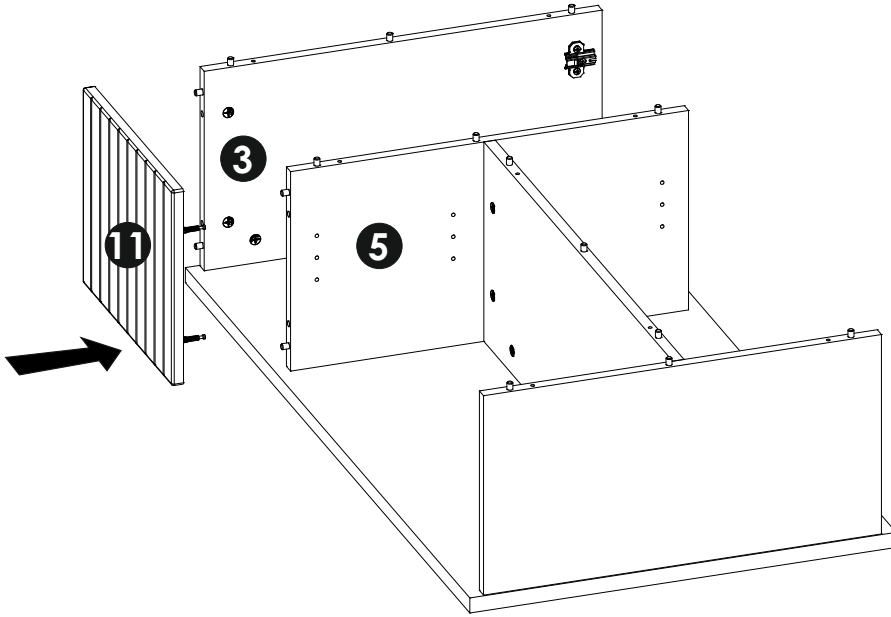
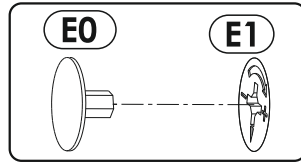
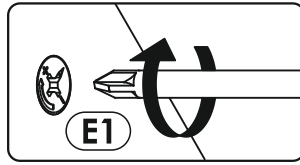
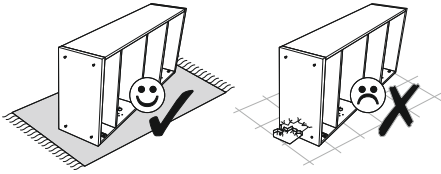




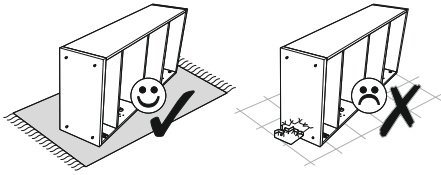




11 ▶



12 ▶



G1

G1

G1

G1

G1

G1

G1

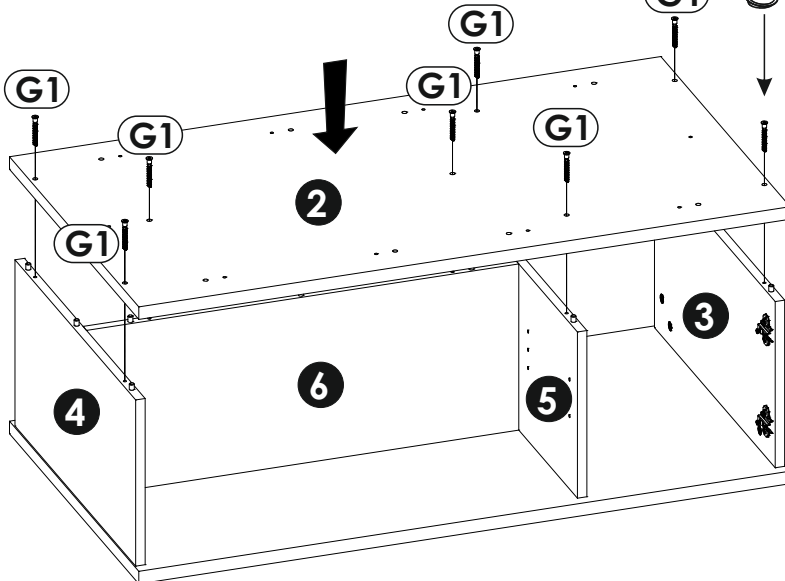
2

4

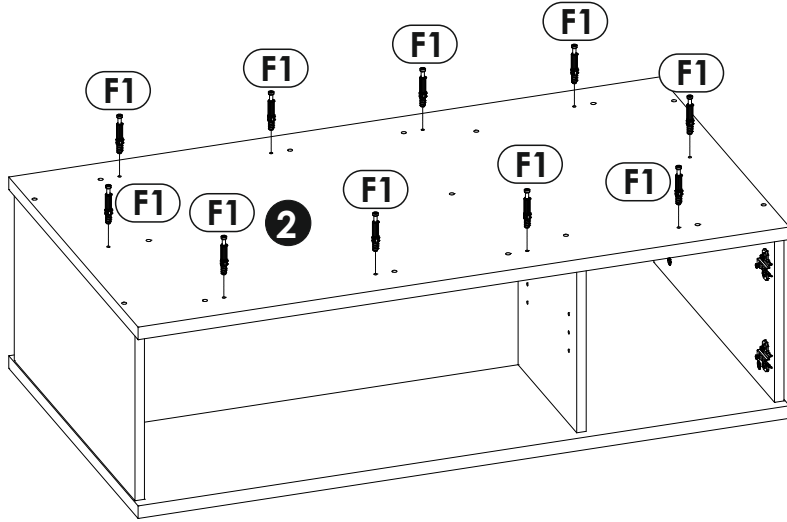
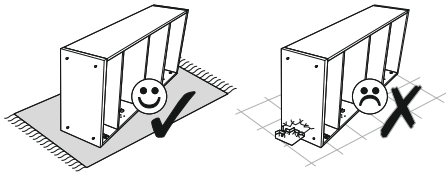
6

5

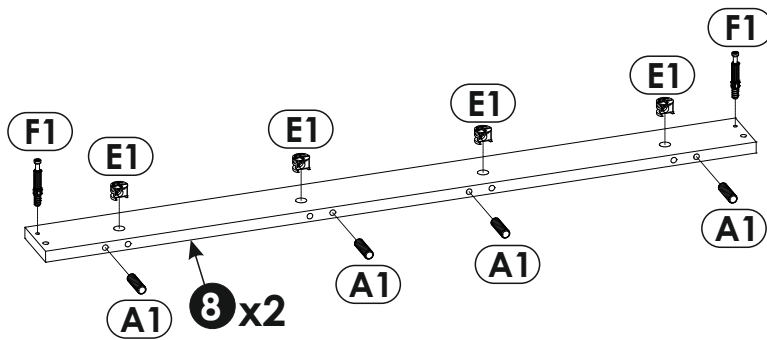
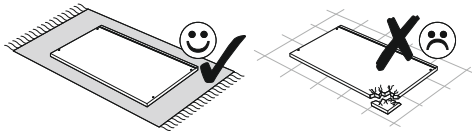
3



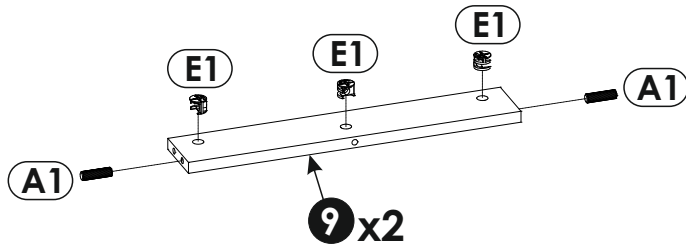
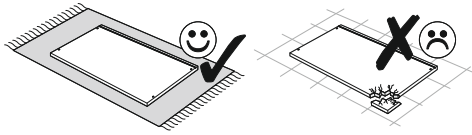
13▶



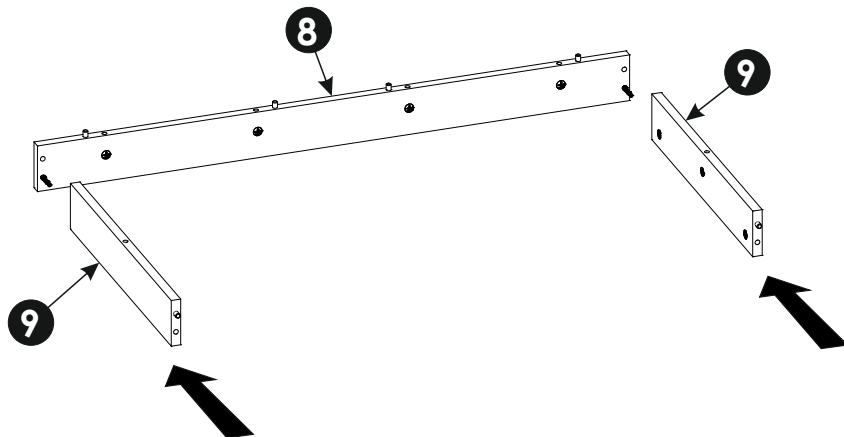
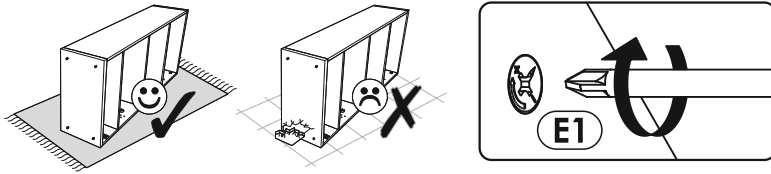
14▶



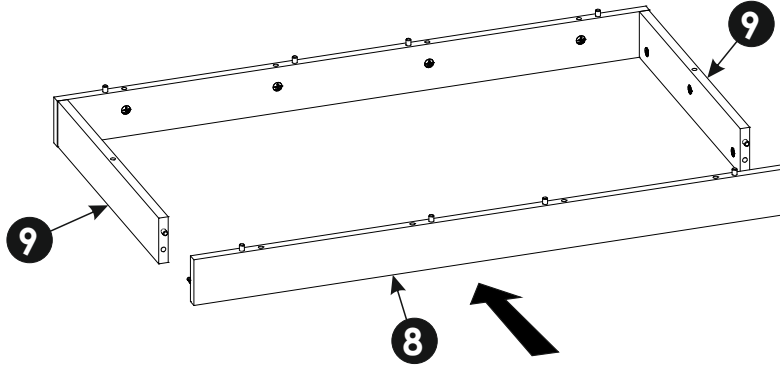
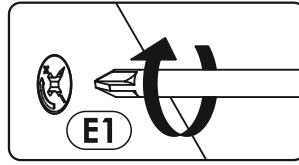
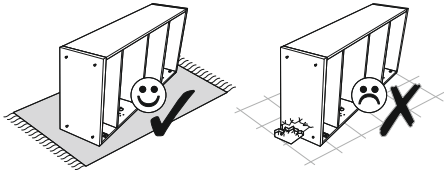
15▶



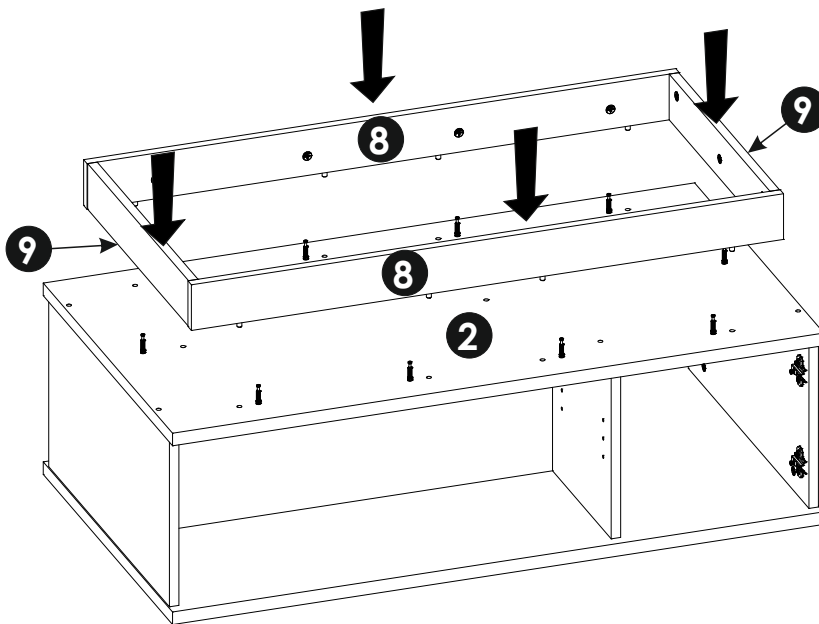
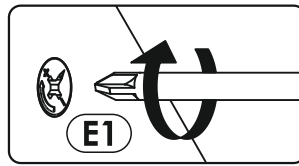
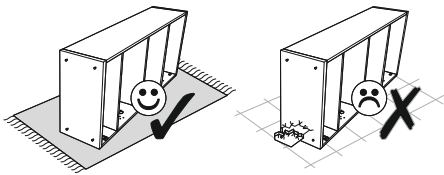
16▶



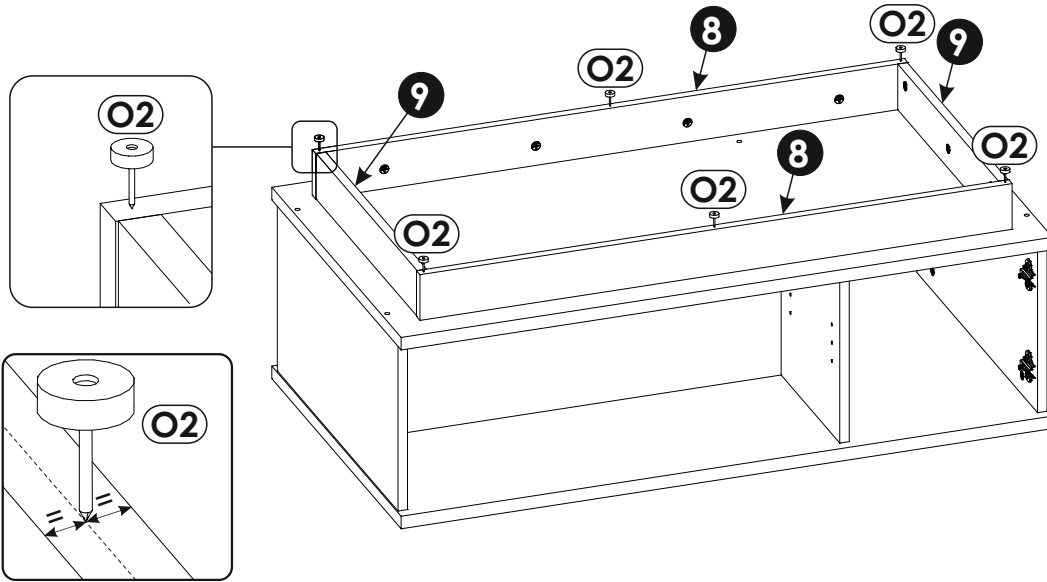
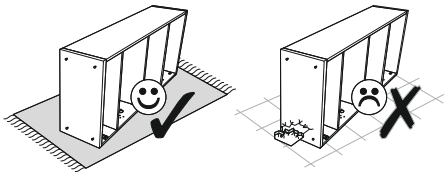
17 ▶



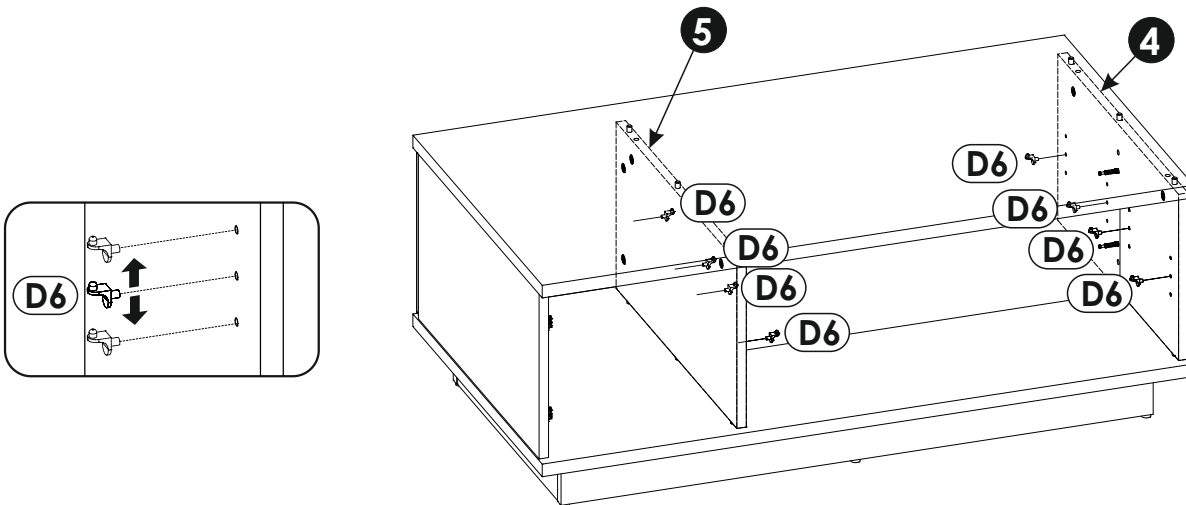
18 ▶

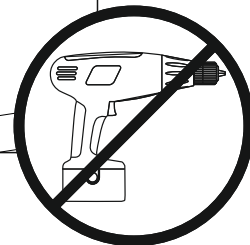
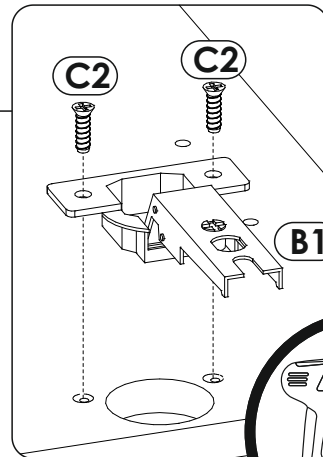
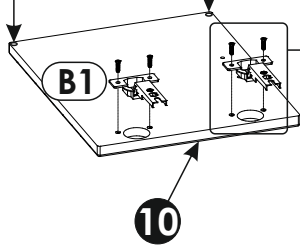
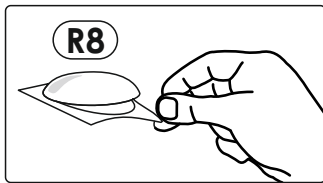
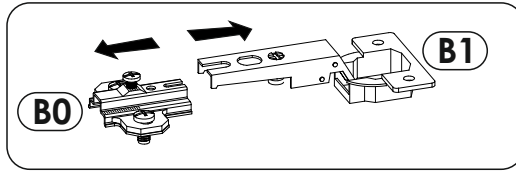
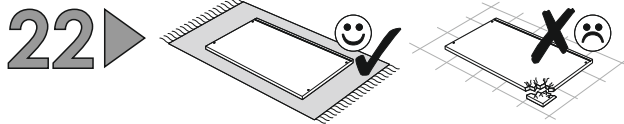
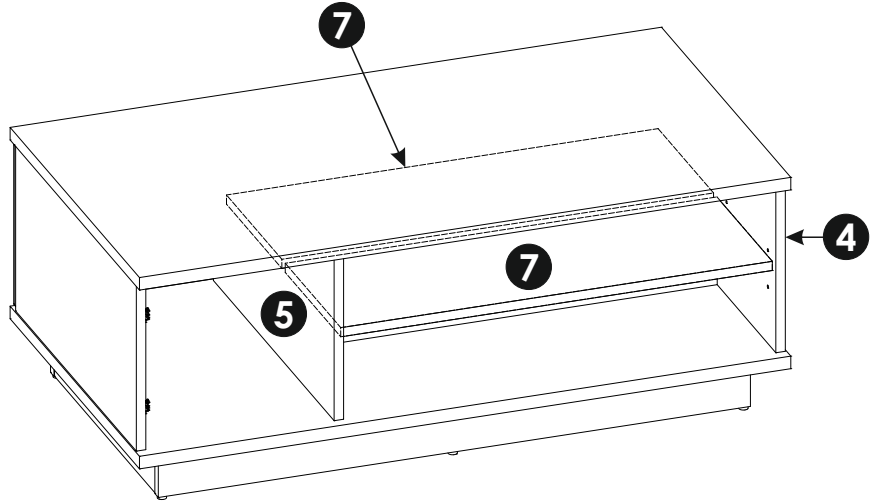
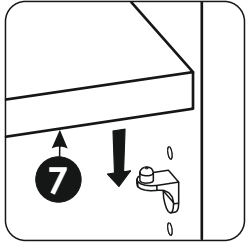
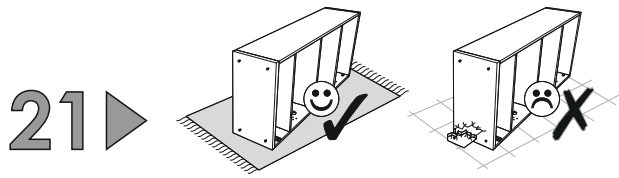


19▶

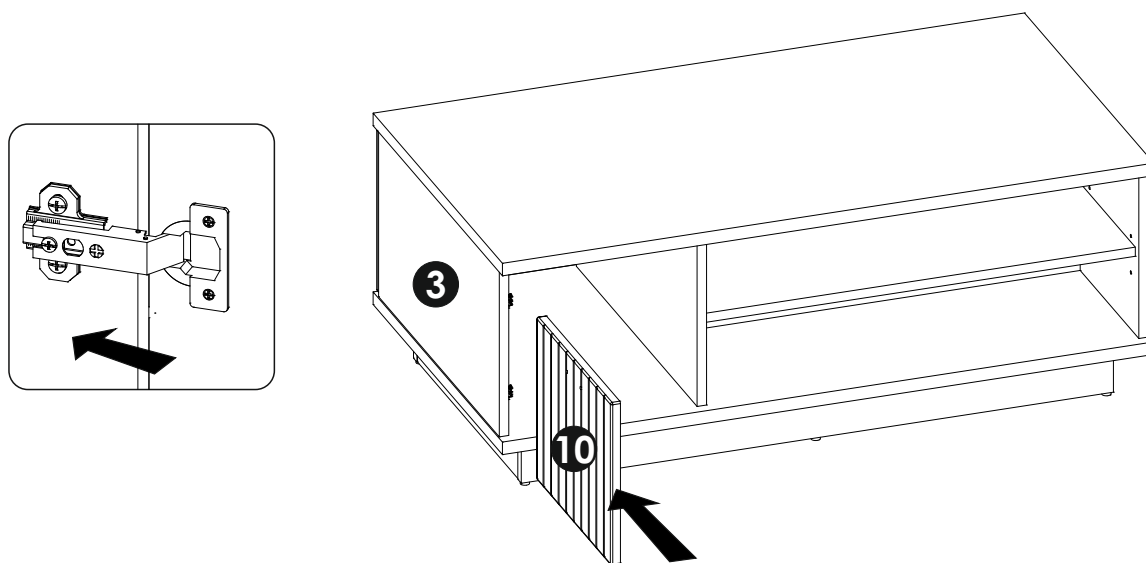


20▶

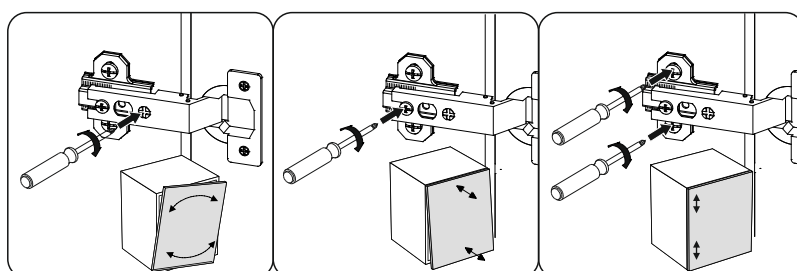
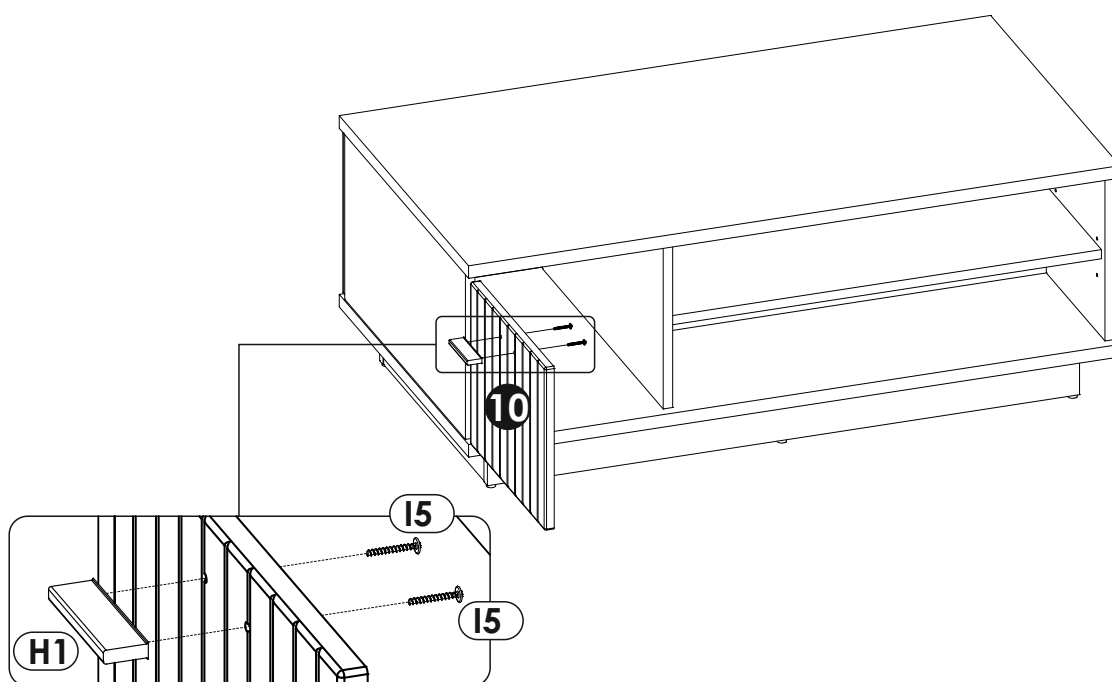




23▶



24▶



25▶

