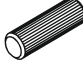
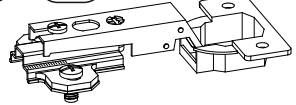
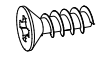
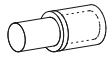
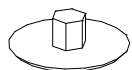


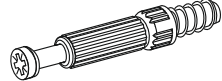
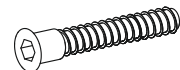

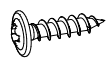

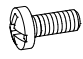
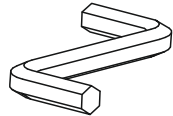

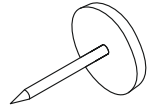
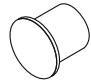

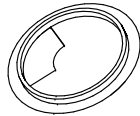
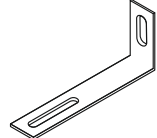
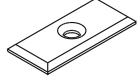
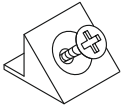
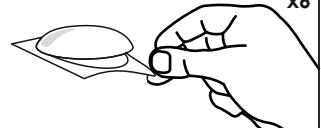
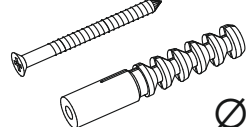
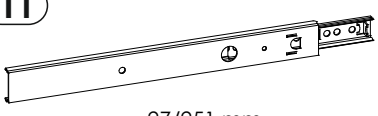
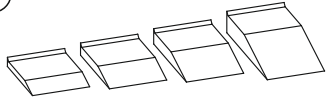
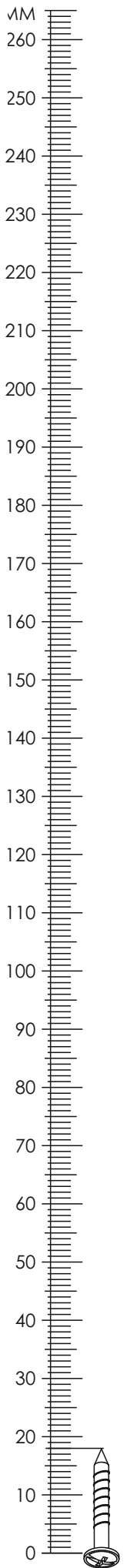
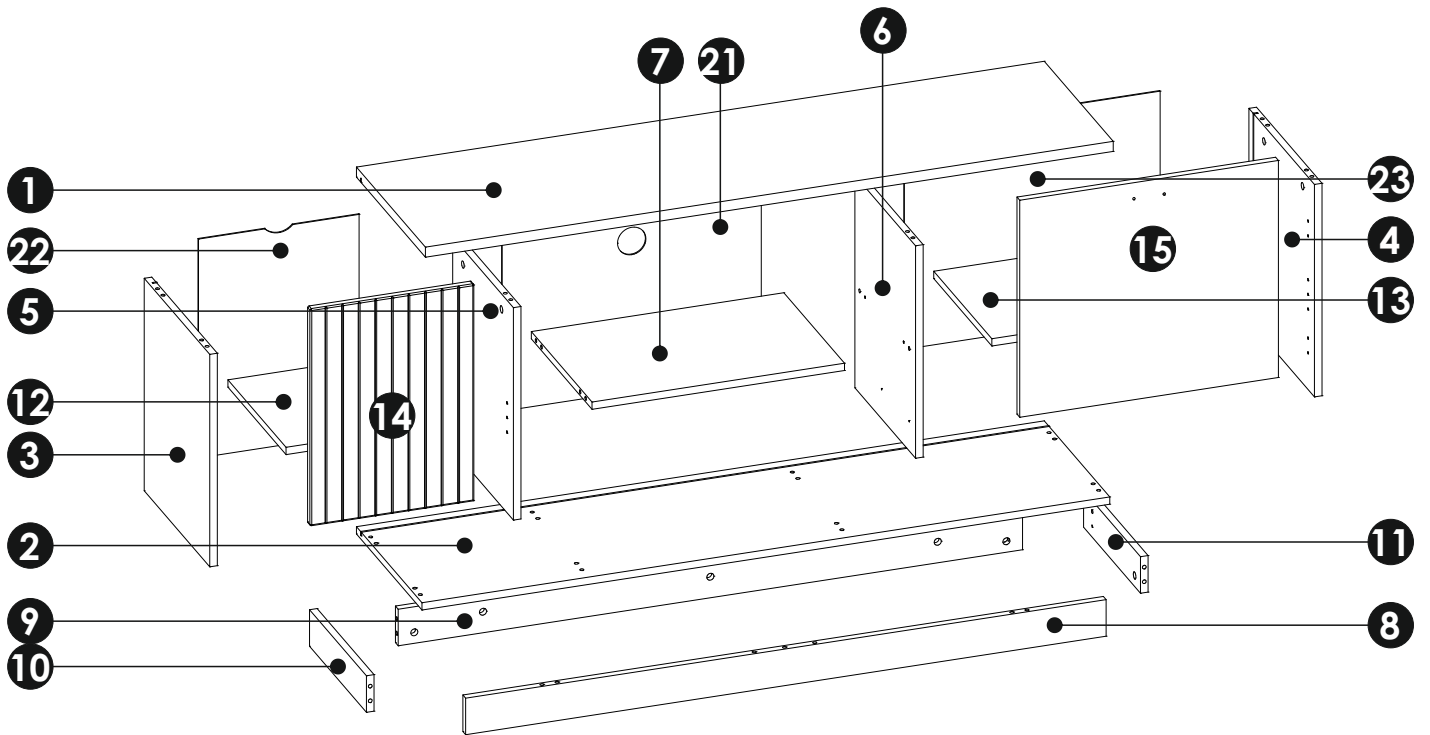
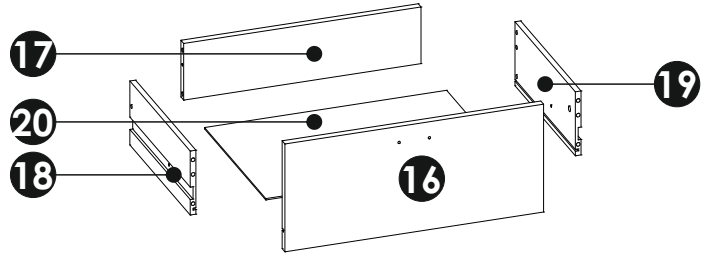
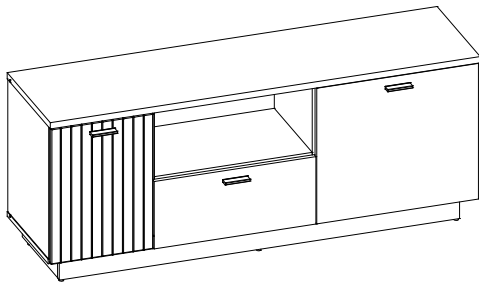


A1 8 x 35 mm x36 	B0 + B1 x4 	C2 5 x 13 mm x12 
D2 x8 	E0 Ø16 x8 	E1 15 x 12 mm x22 
E3 12 x 10 mm x2 	F1 6 x 34 mm x24 	G1 7 x 50 mm x10 
H1 x3  L - 84 mm	I2 4 x 16 mm x2 	I5 3,5 x 27 mm x6 
K1 4 x 9 mm x2 	M x1 	N1 3 x 16 mm x15 
O2 x6 	P0 x2 	P15 x1 
P24 x1 	Q9 x2 	R1 x6 
R4 x8 	R8 x6 	S13 x2  Ø8
T1 x2  27/251 mm	Z x1 	

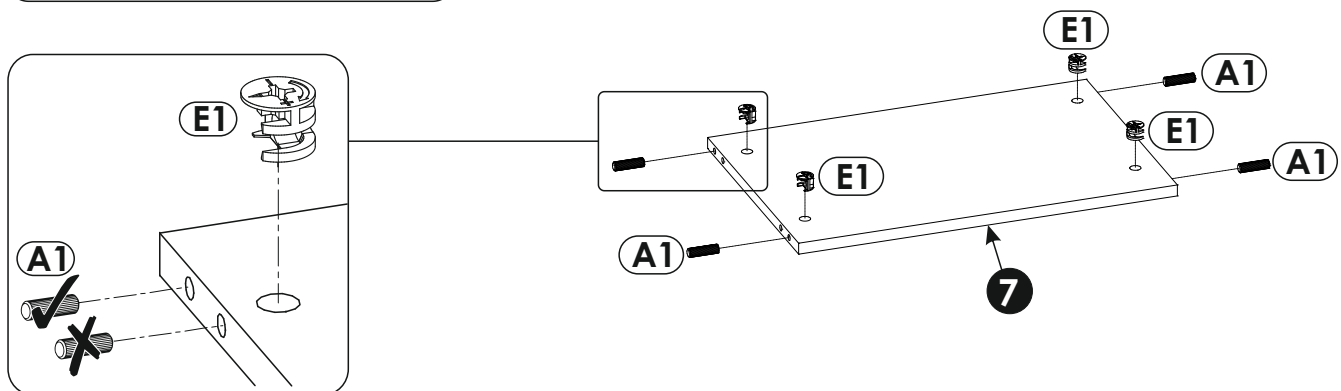
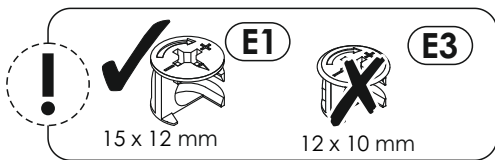
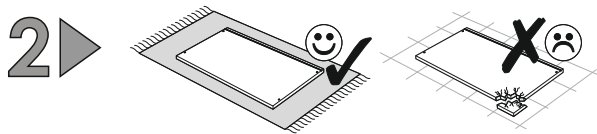
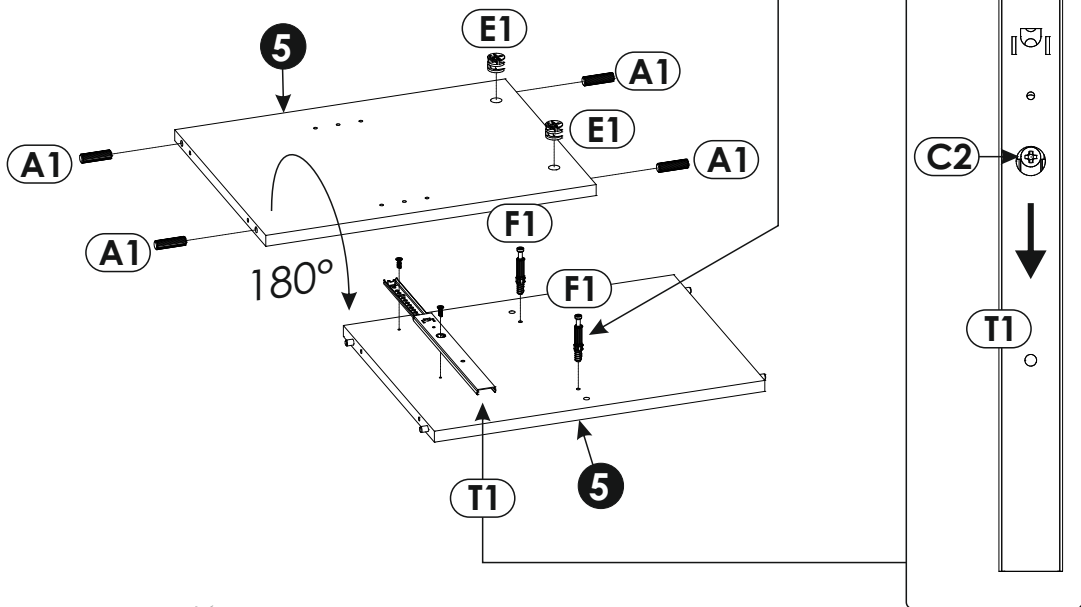
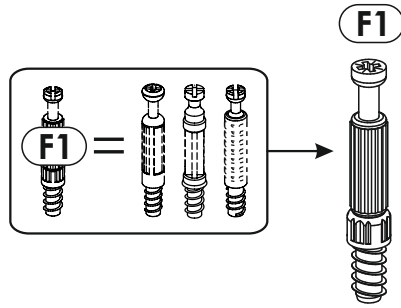
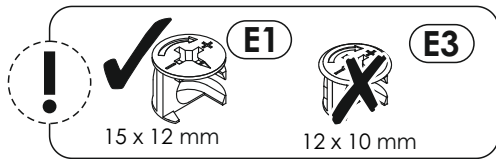
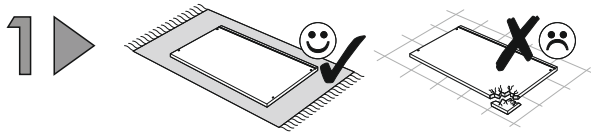
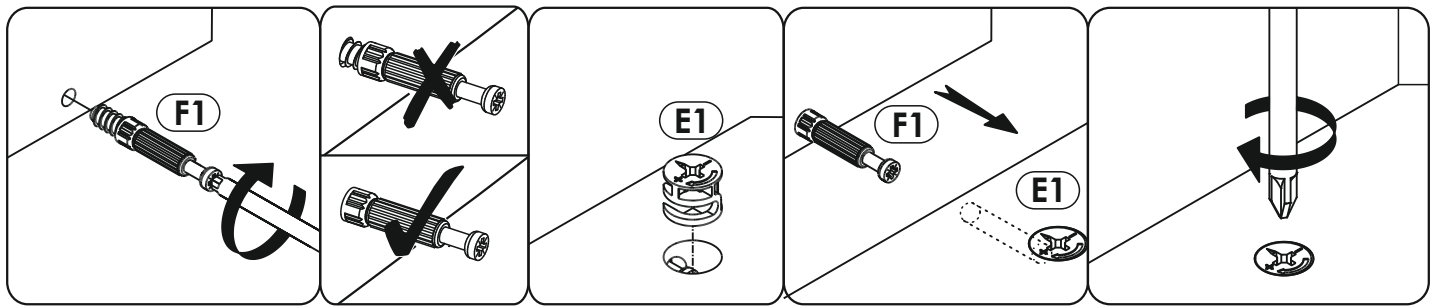


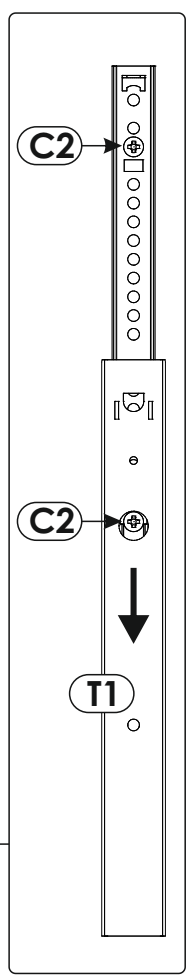
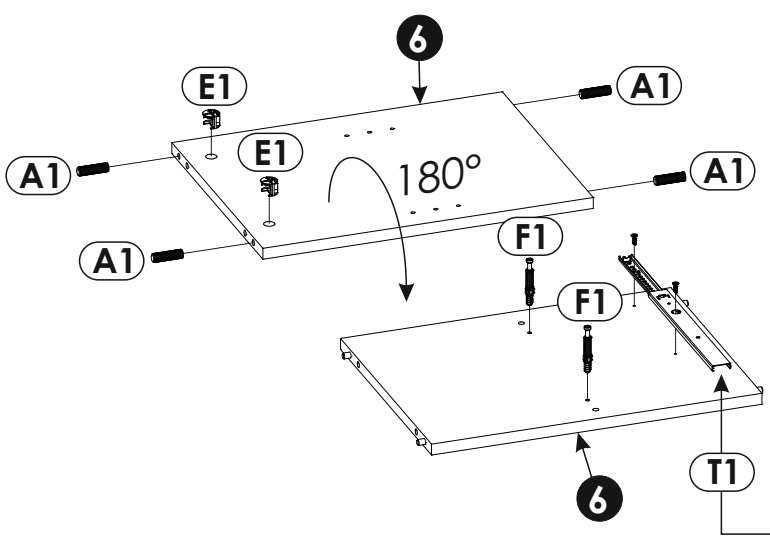
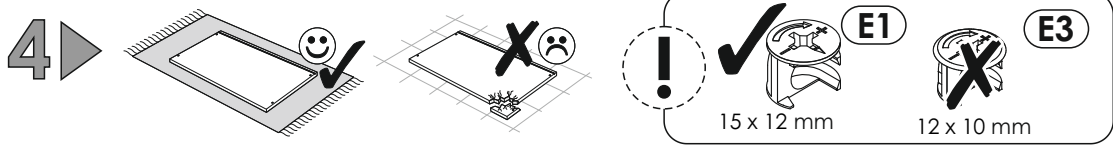
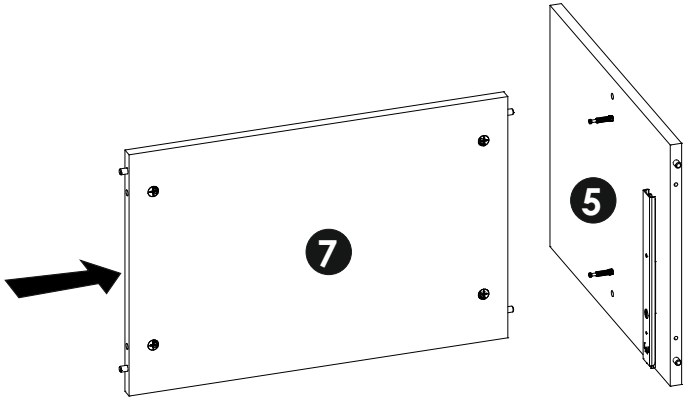
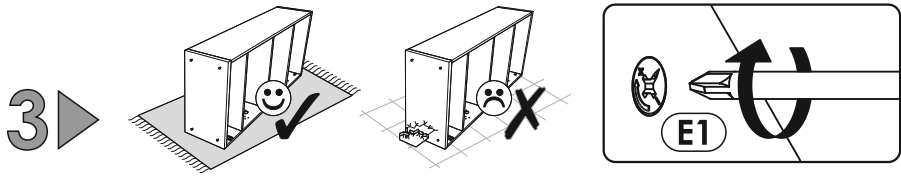


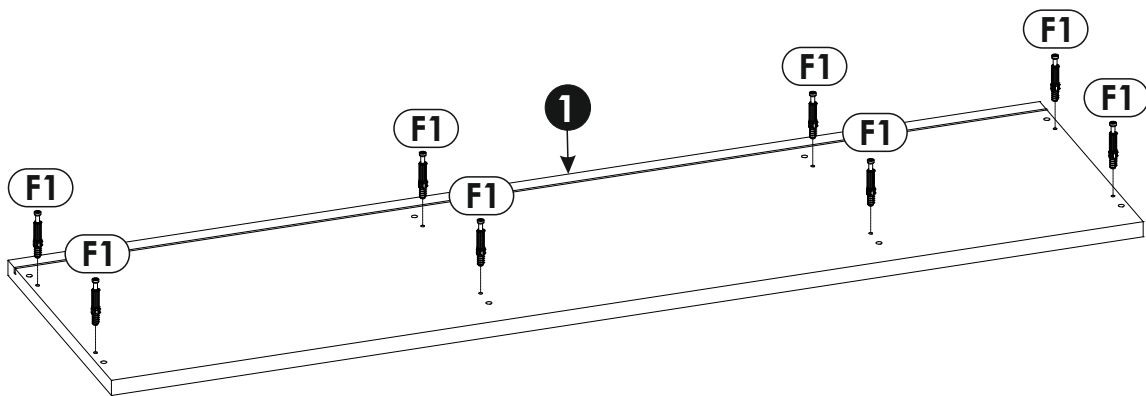
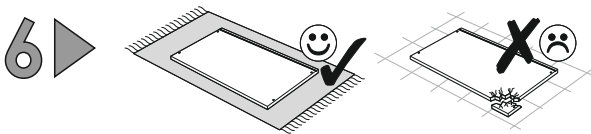
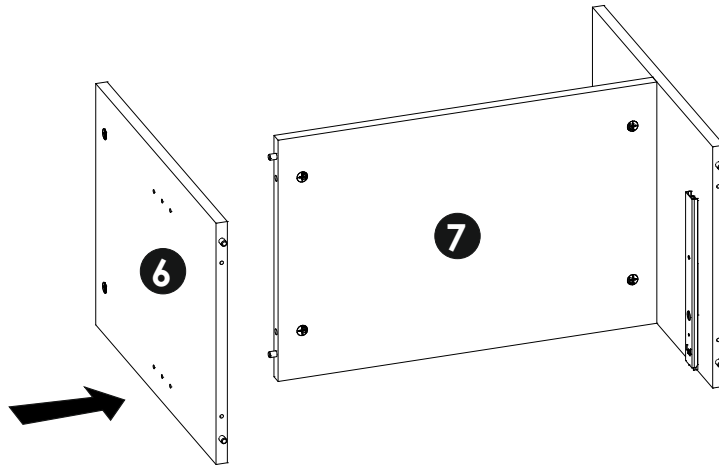
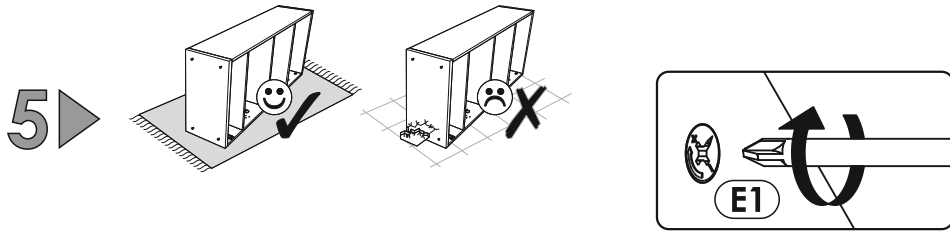
1	1452	400	22	x1	2/2
2	1450	380	16	x1	2/2
3	465	380	16	x1	1/2
4	465	380	16	x1	1/2
5	465	352	16	x1	1/2
6	465	352	16	x1	1/2
7	533	352	16	x1	1/2
8	1352	80	16	x1	2/2

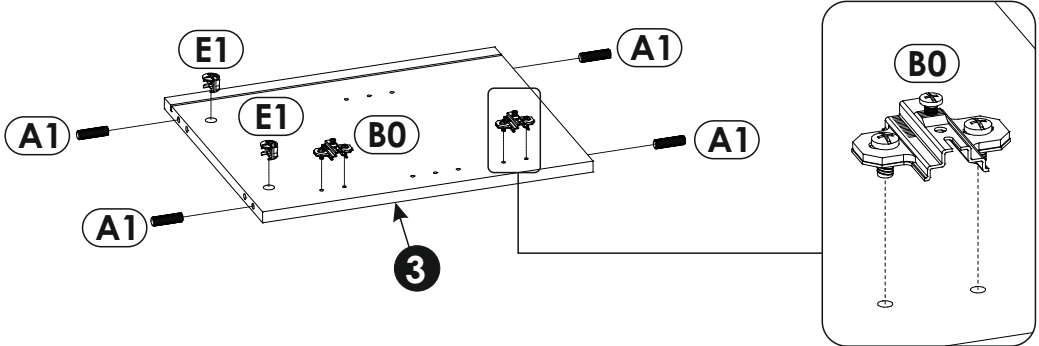
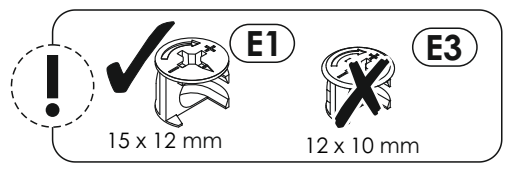
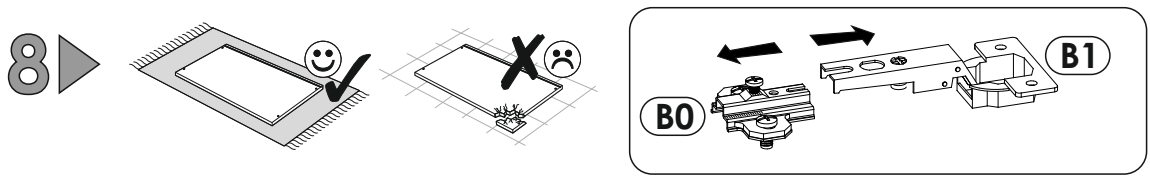
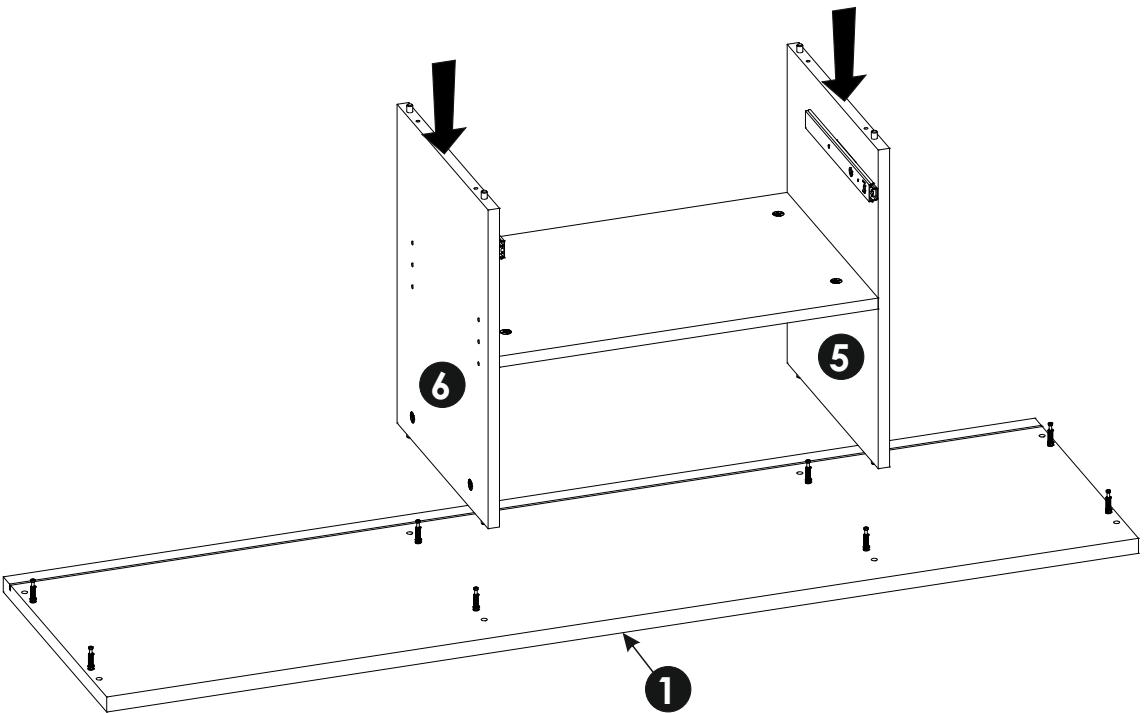
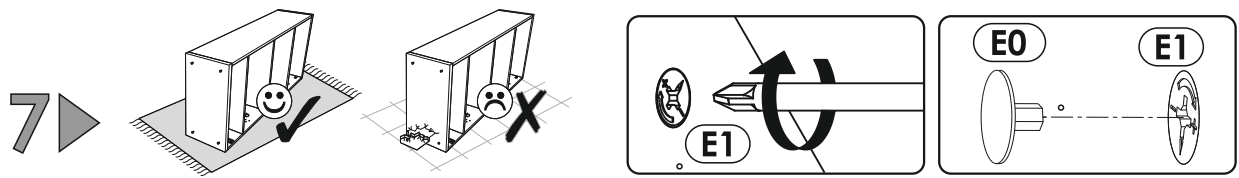
9	1318	80	16	x1	2/2
10	330	80	16	x1	2/2
11	330	80	16	x1	2/2
12	324	337	16	x1	1/2
13	525	337	16	x1	1/2
14	475	346	16	x1	1/2
15	475	546	16	x1	1/2
16	546	236	16	x1	2/2

17	501	124	16	x1	2/2
18	350	140	12	x1	1/2
19	350	140	12	x1	1/2
20	511	355	3	x1	1/2
21	479	549	3	x1	1/2
22	479	339	3	x1	1/2
23	479	540	3	x1	1/2

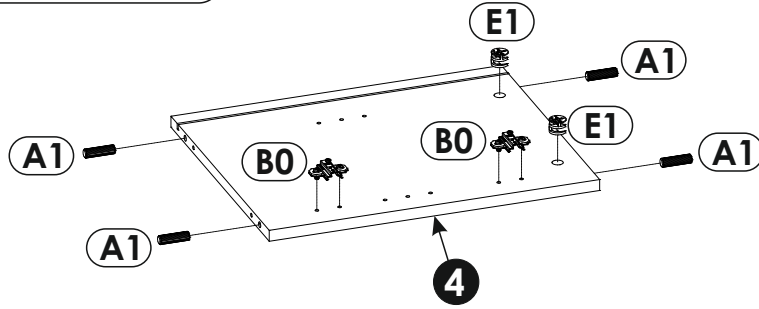
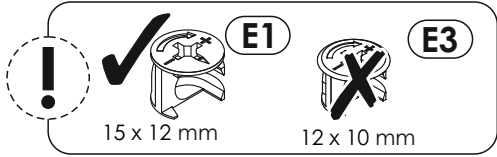
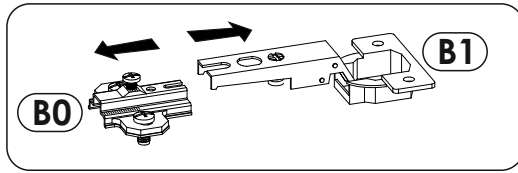
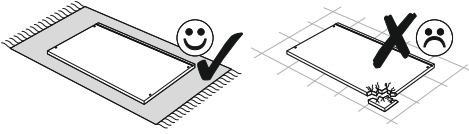




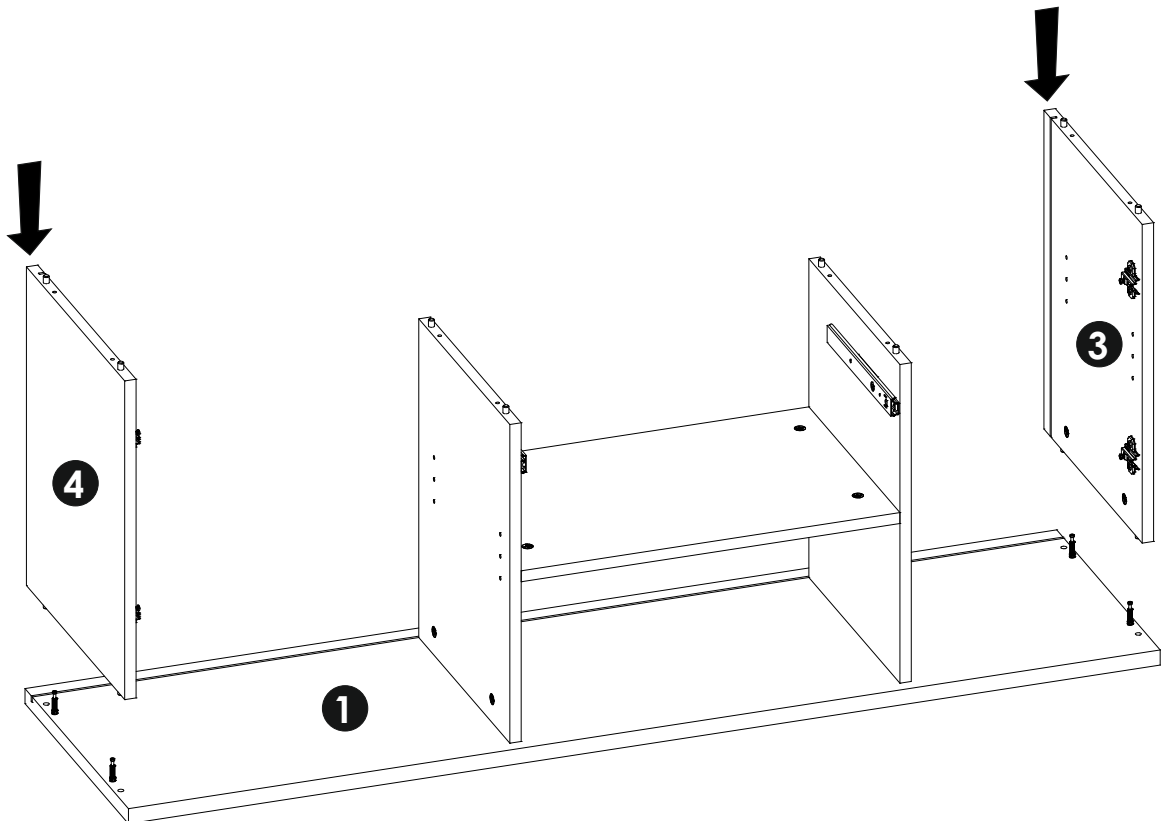
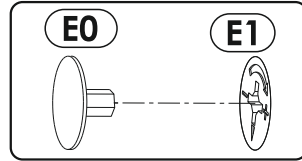
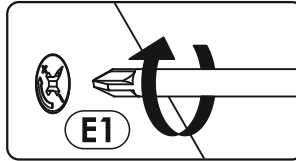
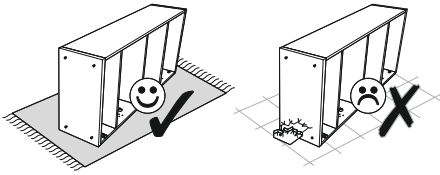




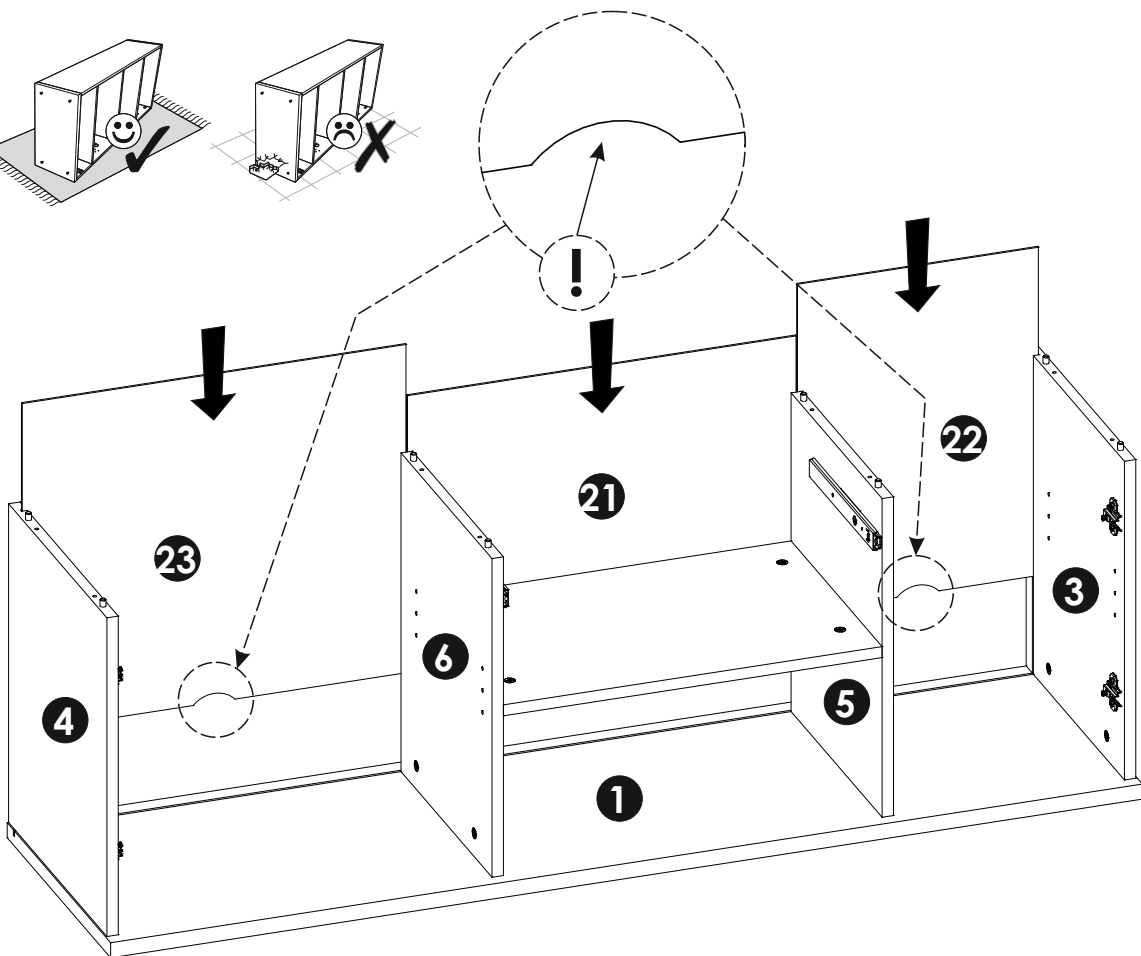
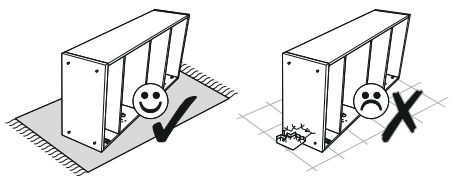
9 ▶



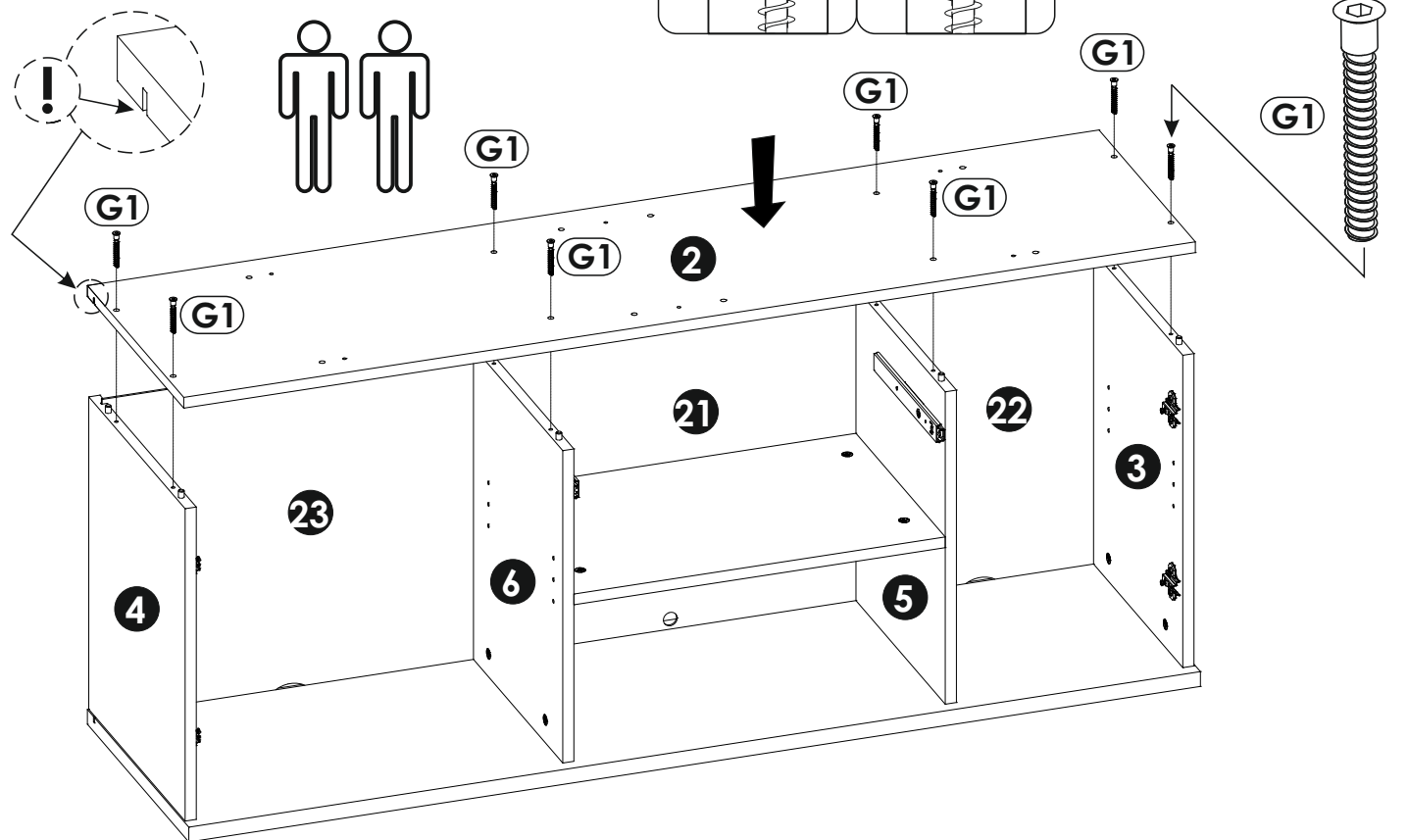
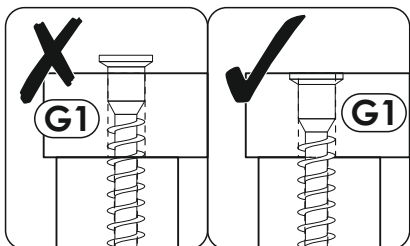
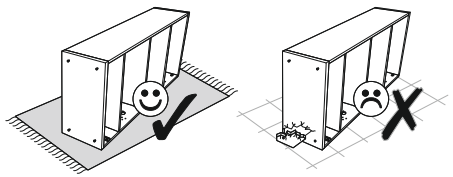
10 ▶

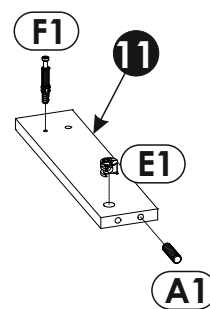
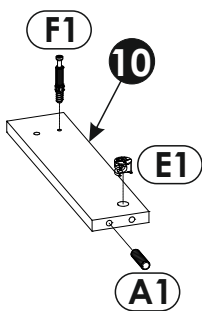
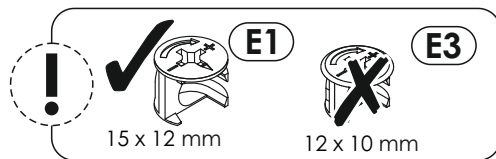
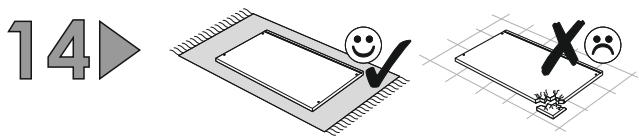
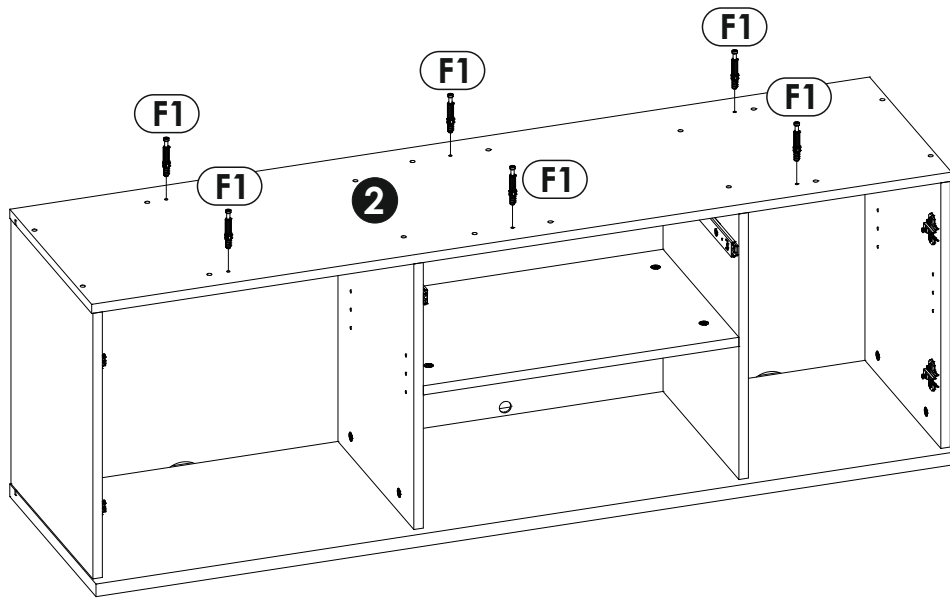
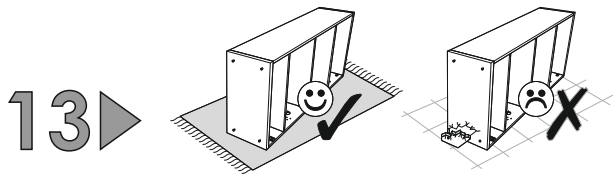


11 ▶

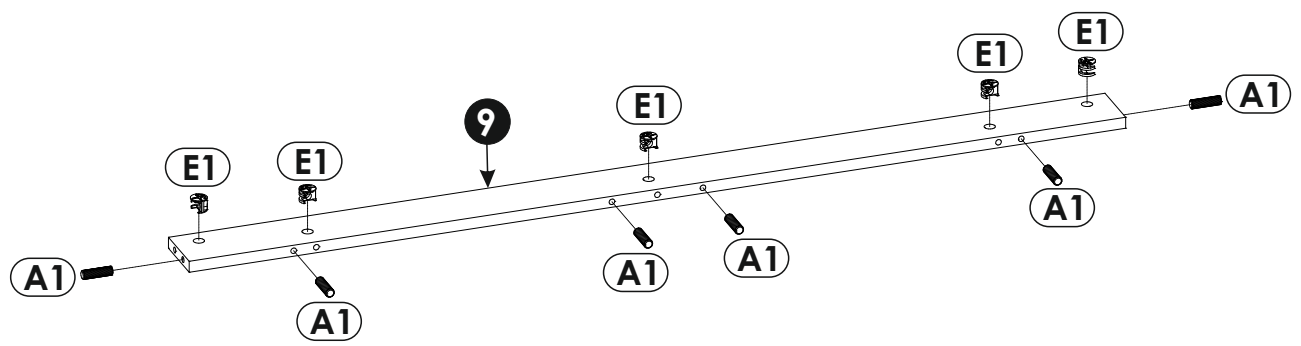
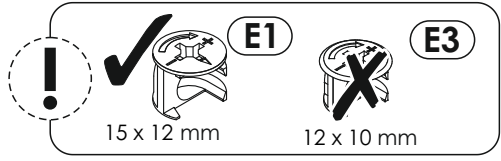
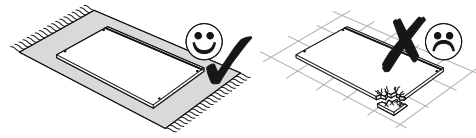


12 ▶

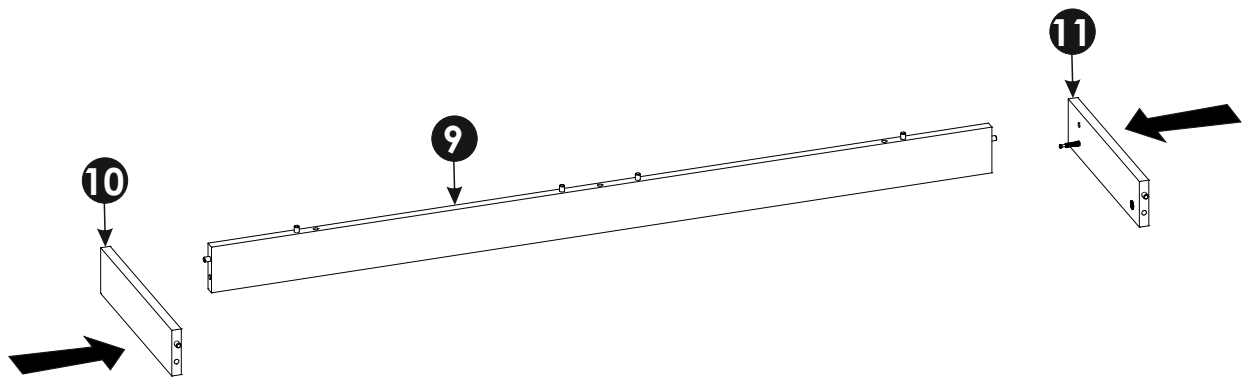
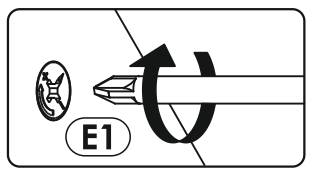
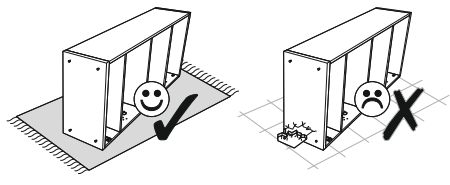




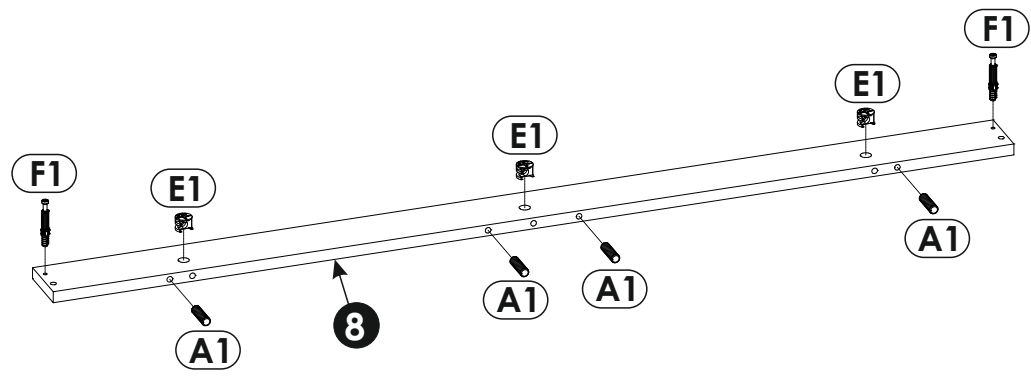
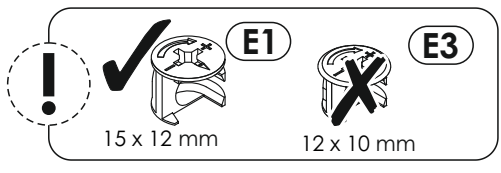
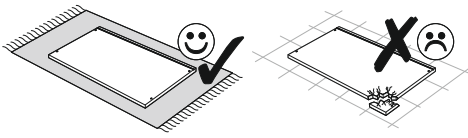
15 ▶



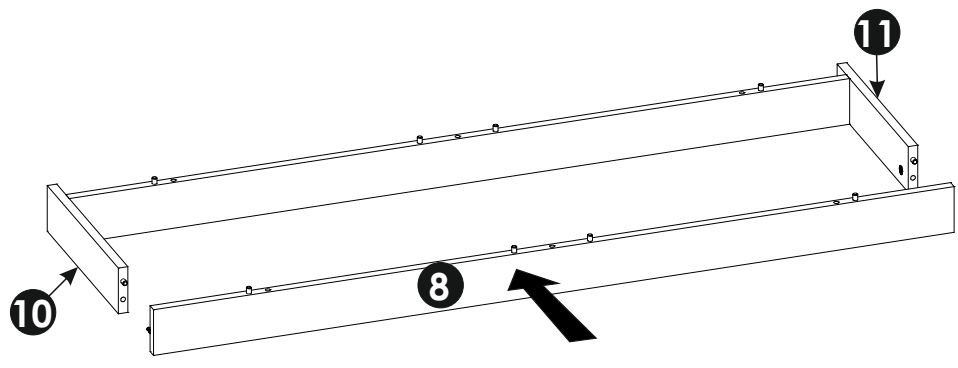
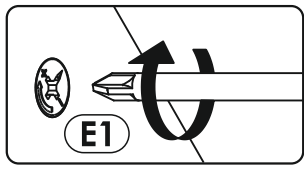
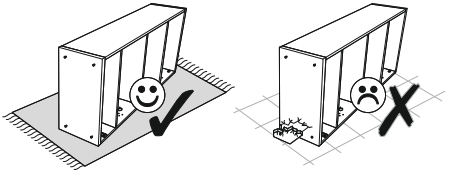
16 ▶

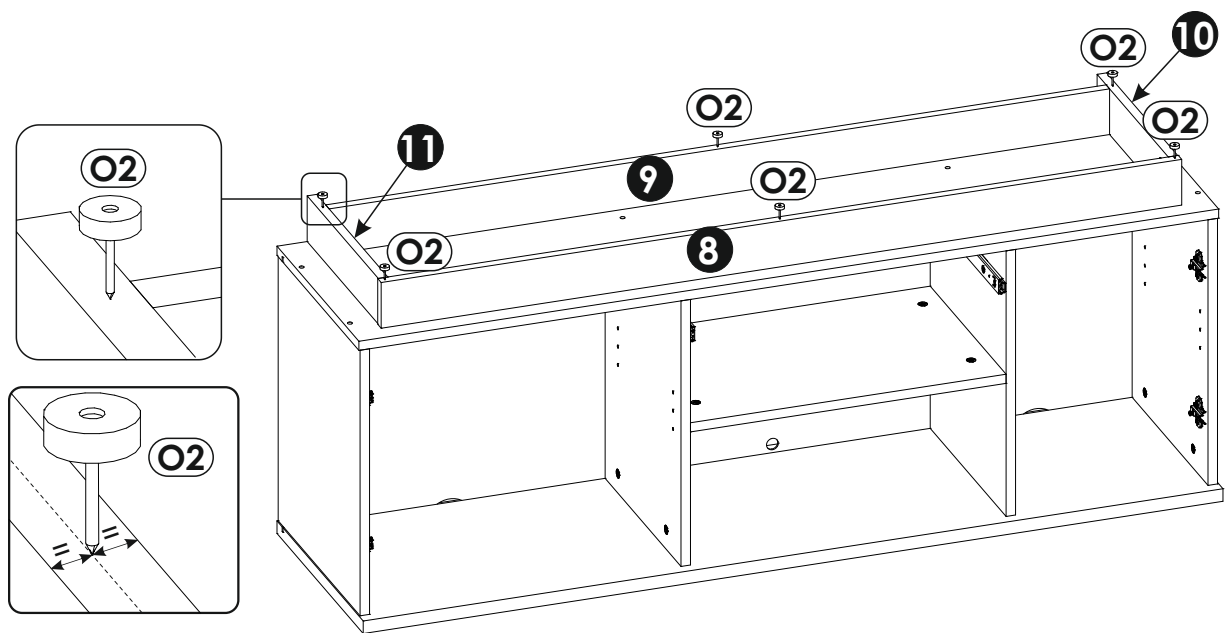
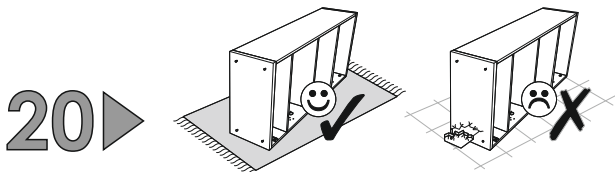
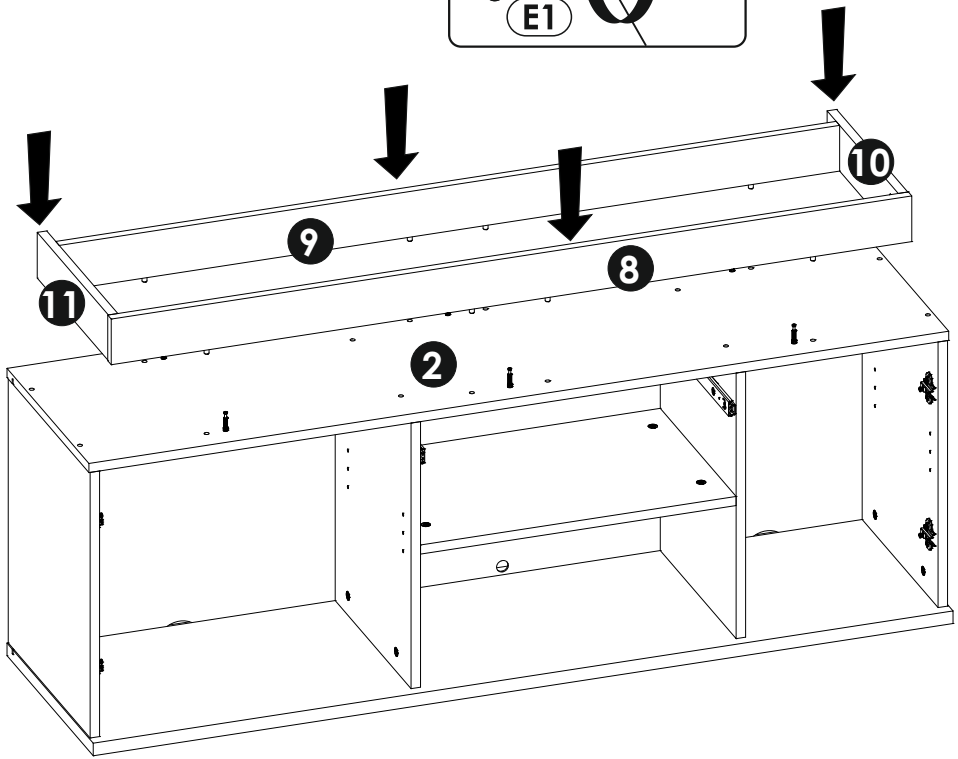
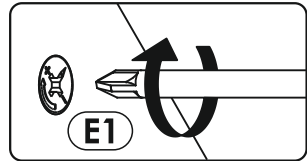
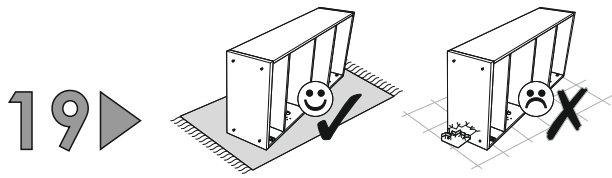


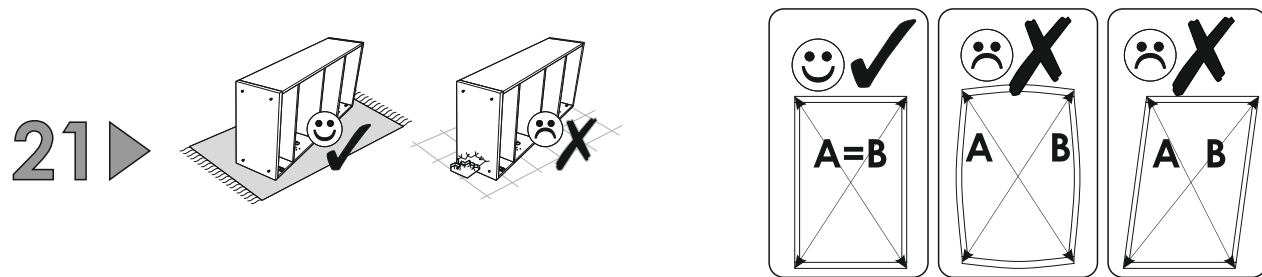
17▶



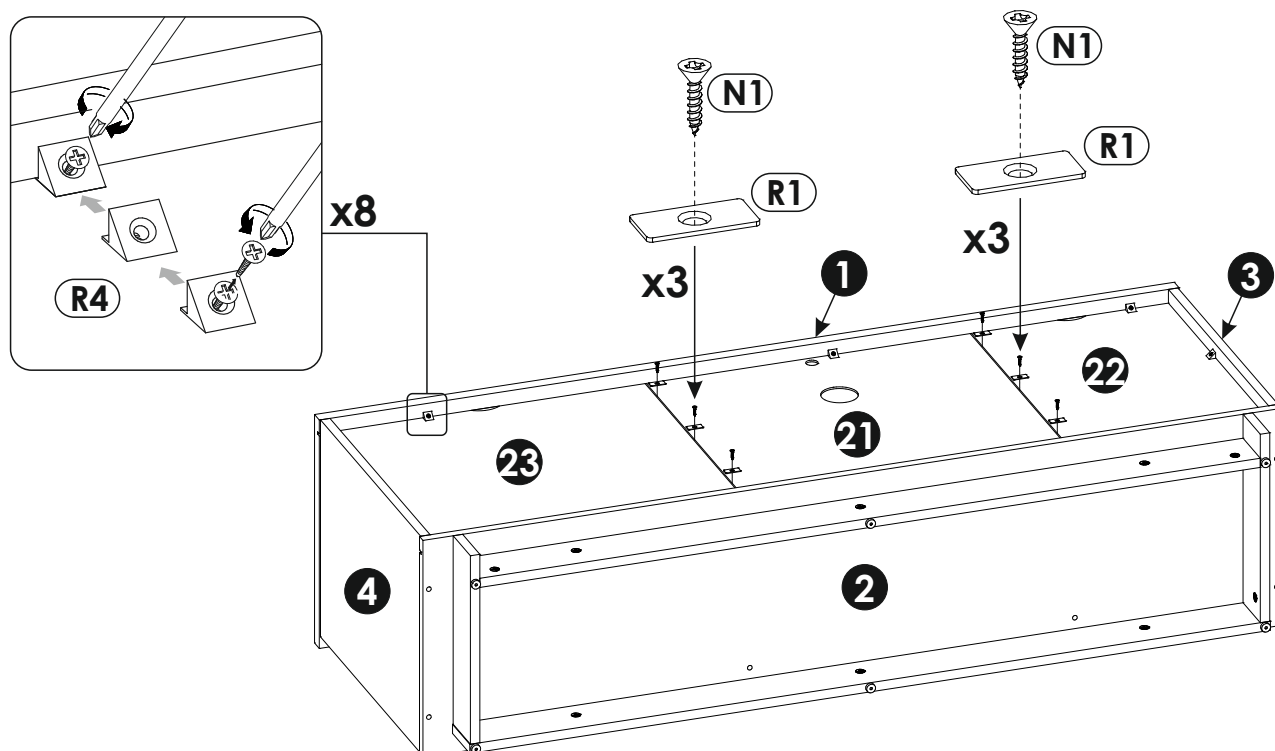
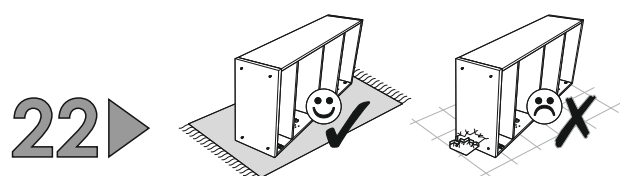
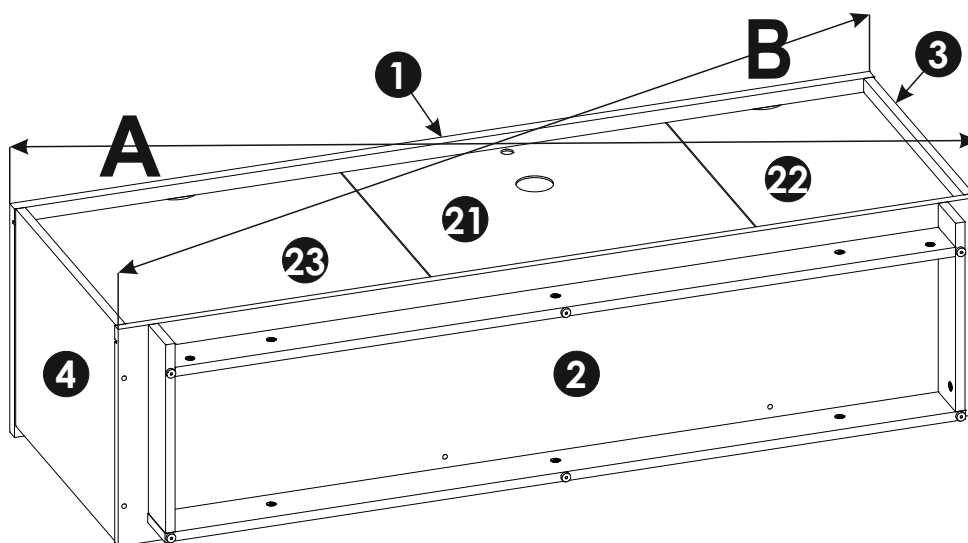
18▶



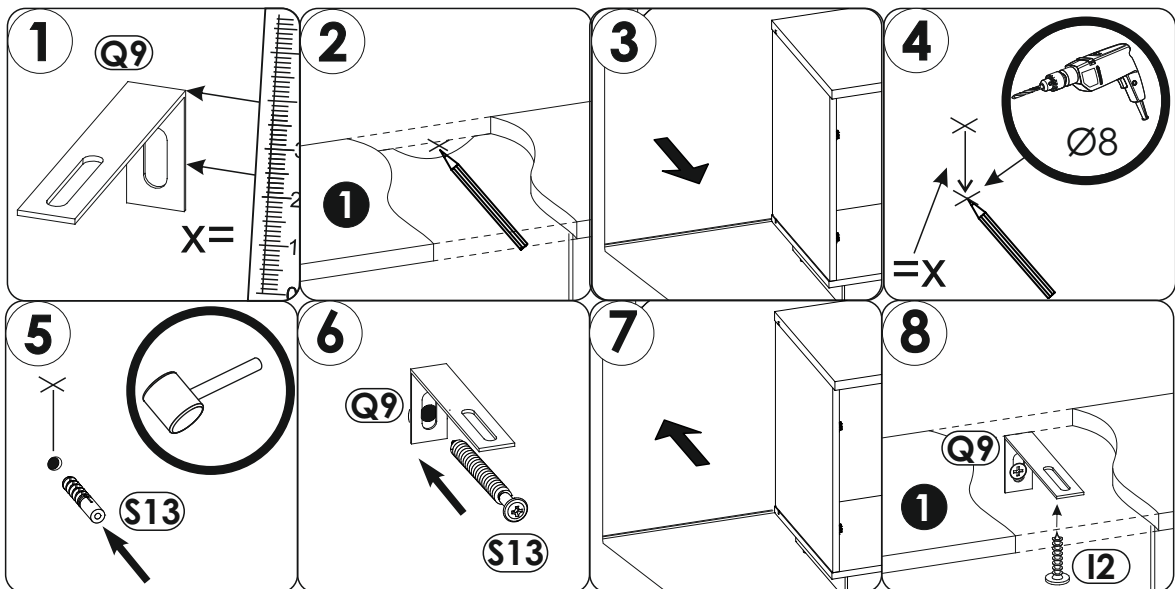
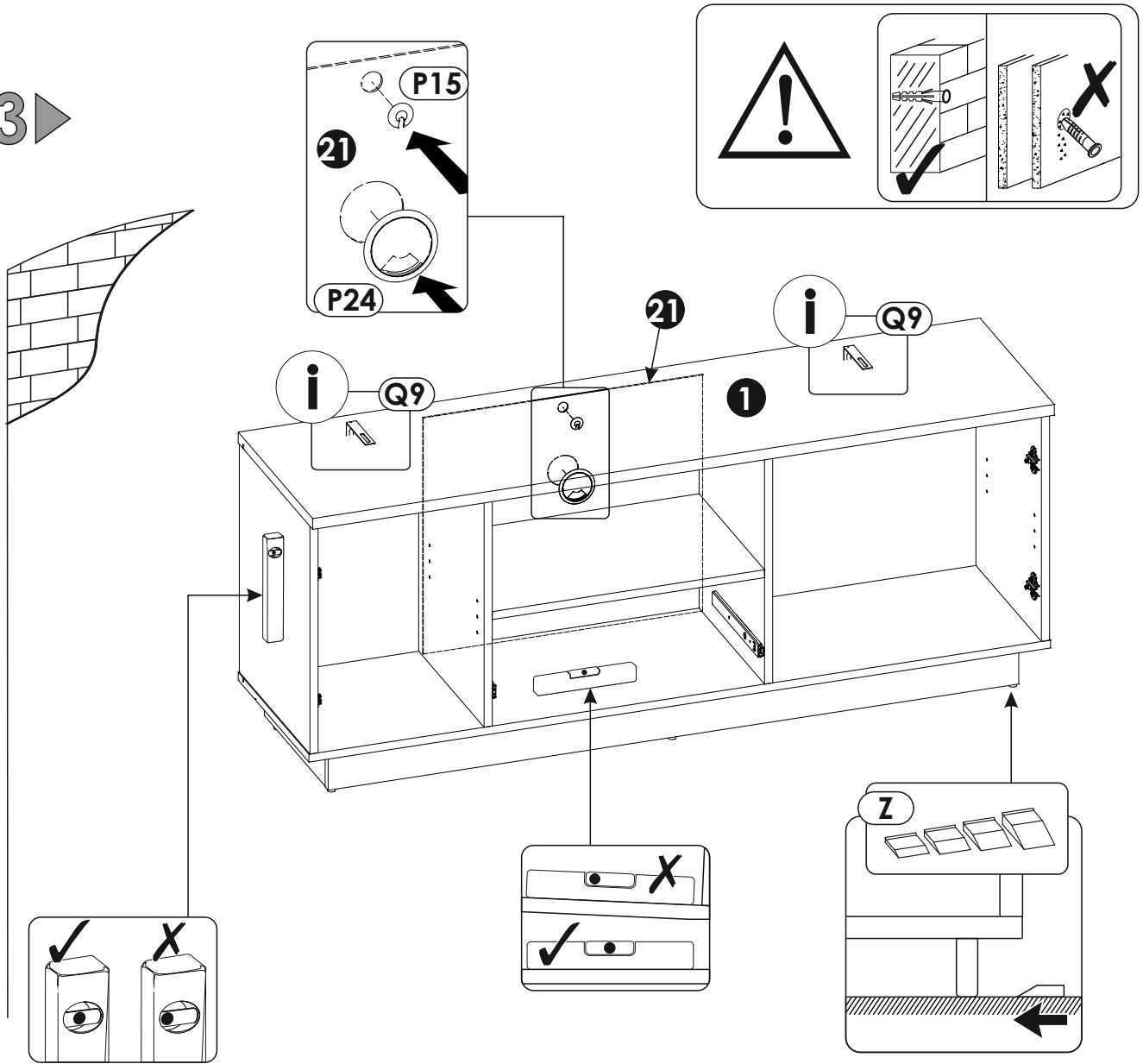




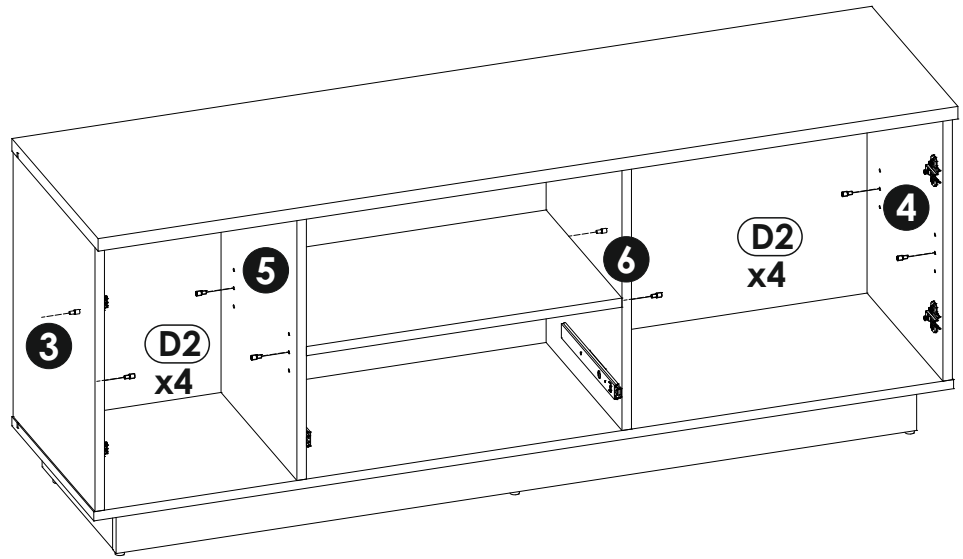
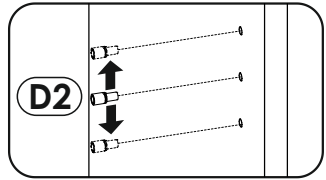
A=B



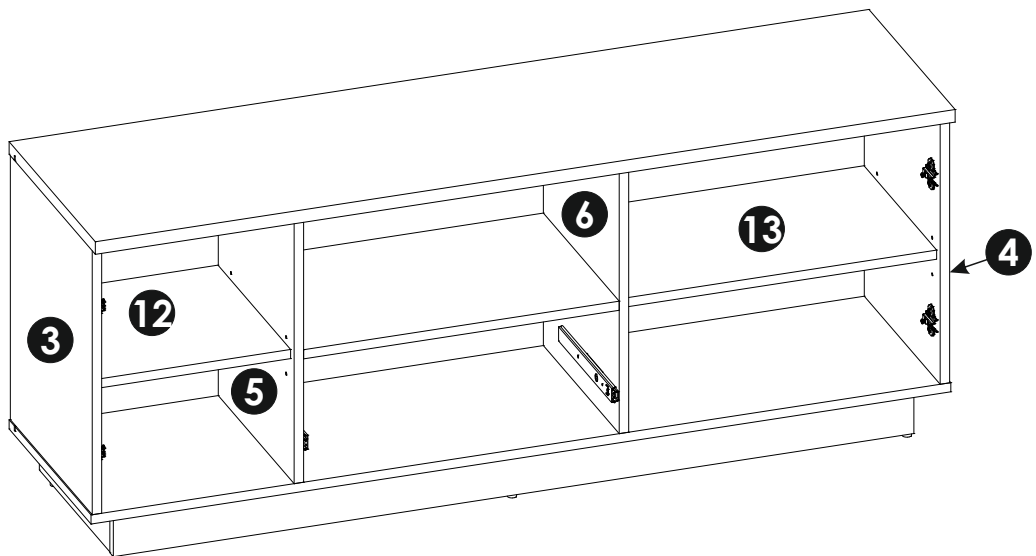
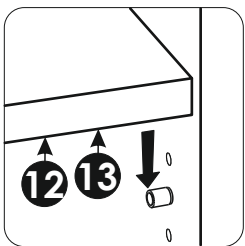
23 ▶



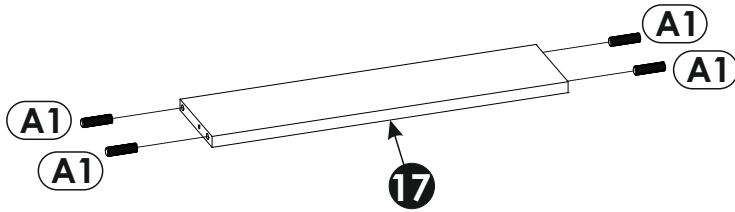
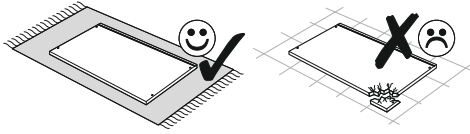
24▶



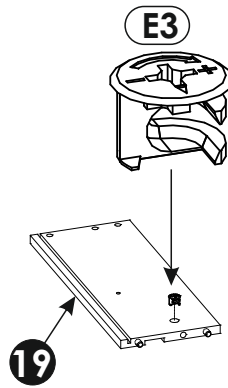
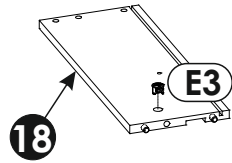
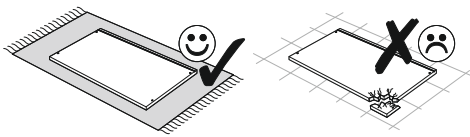
25▶



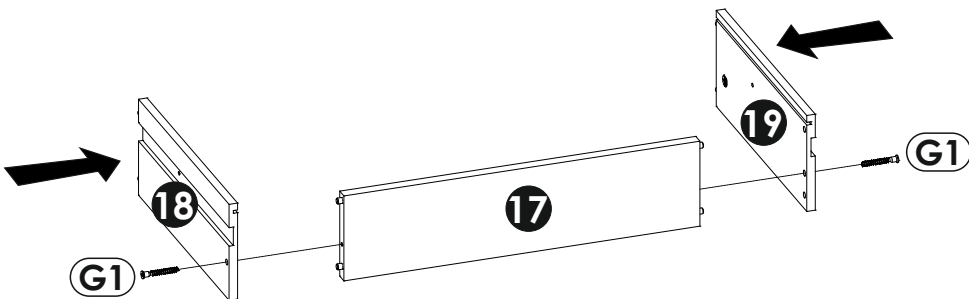
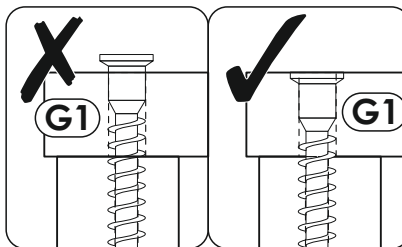
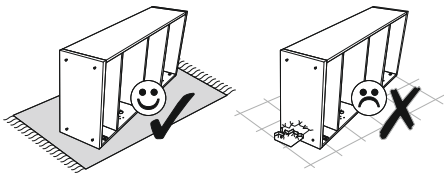
26 ▶

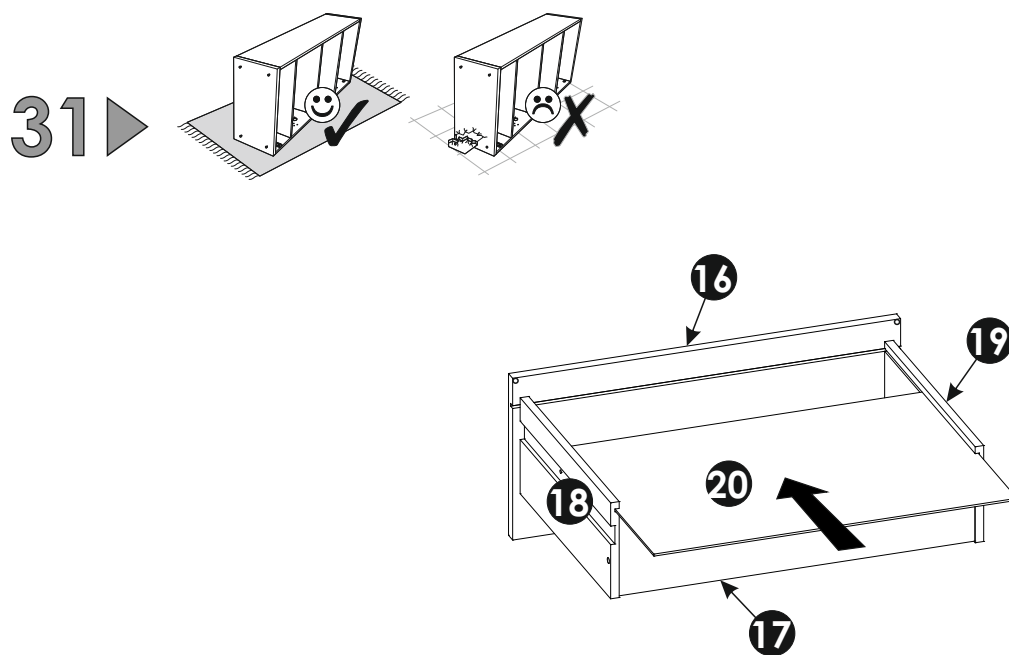
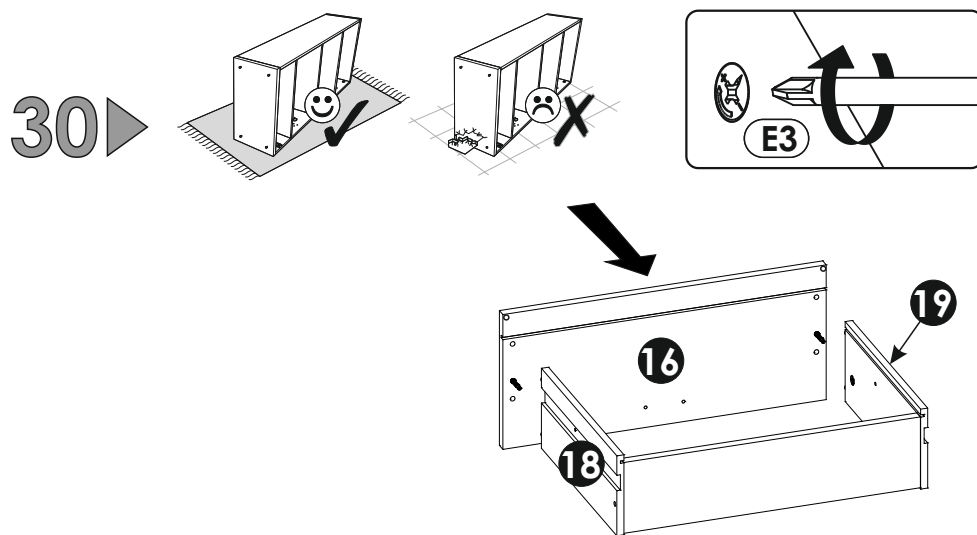
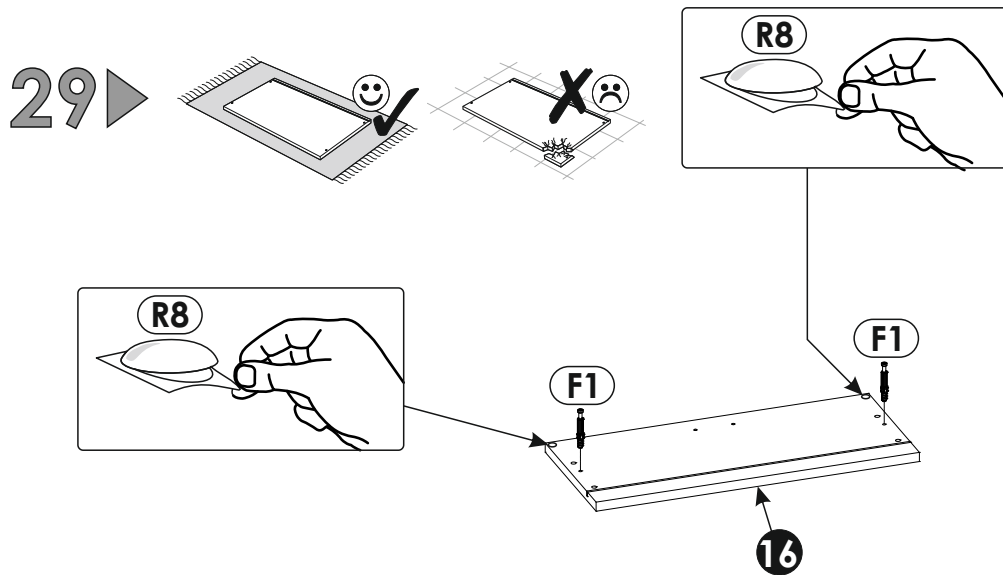


27 ▶

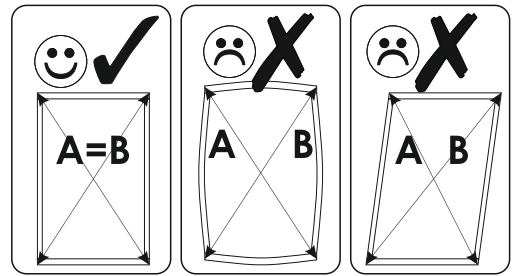
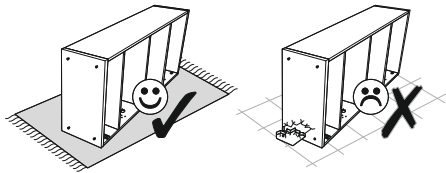


28 ▶

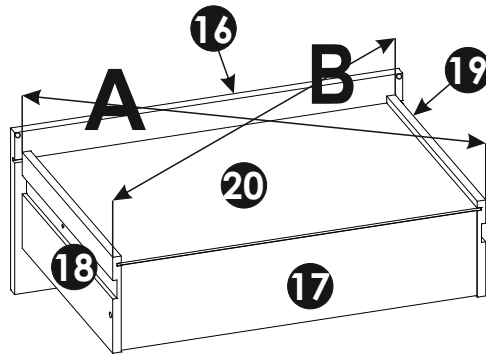




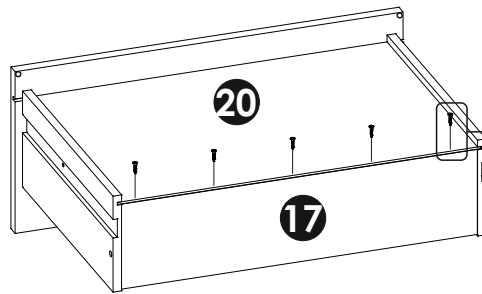
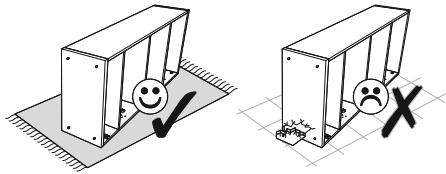
32 ▶



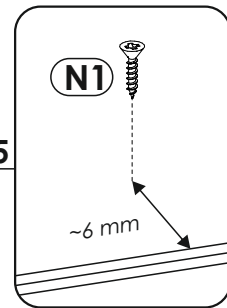
A=B



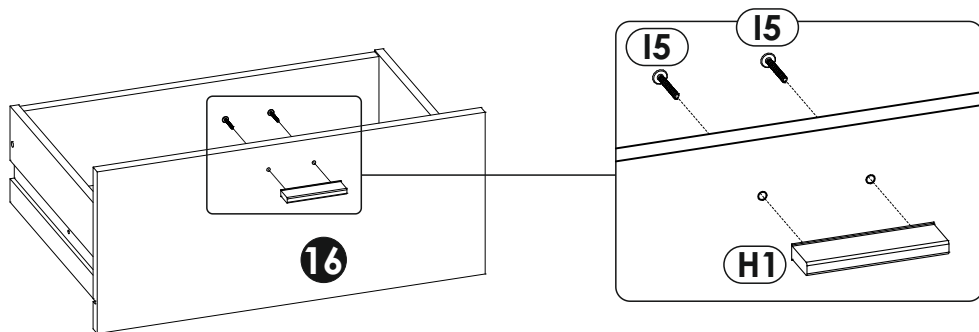
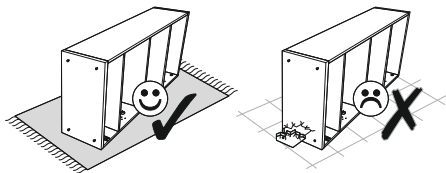
33 ▶



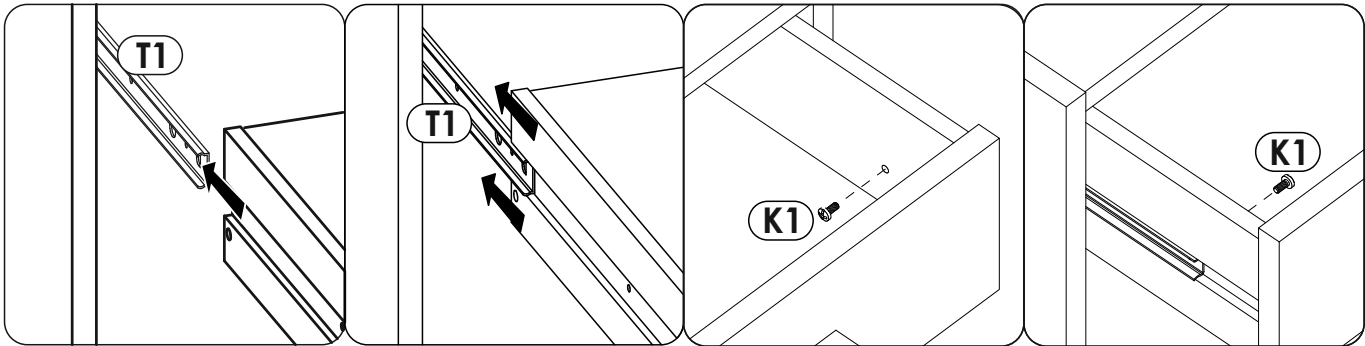
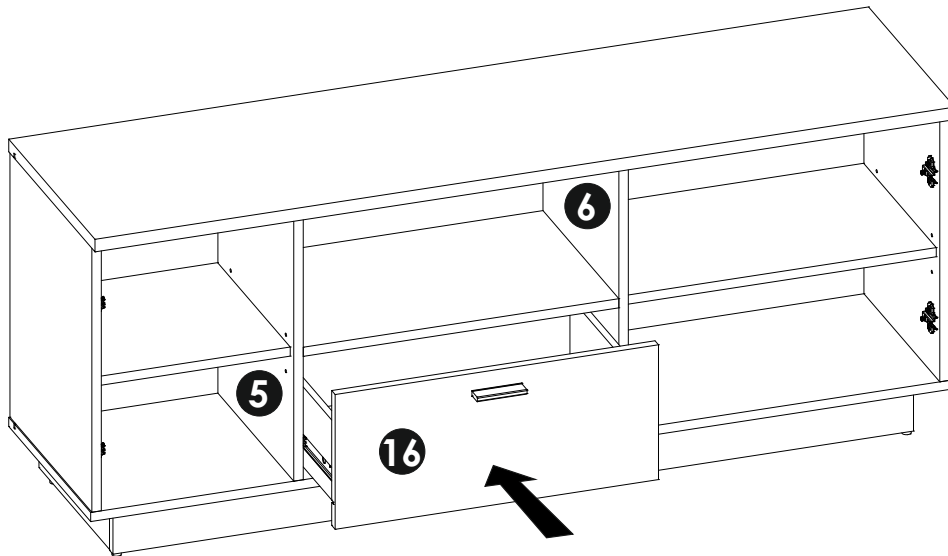
x5



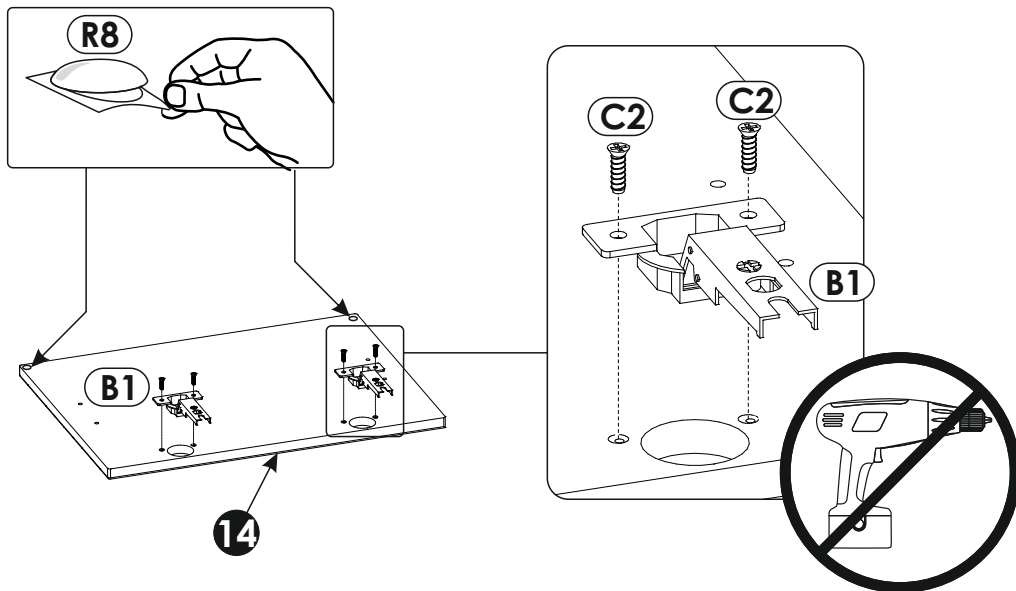
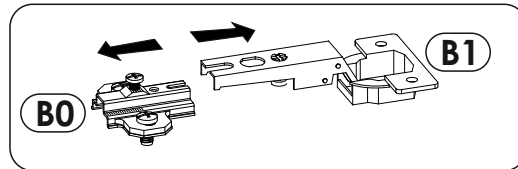
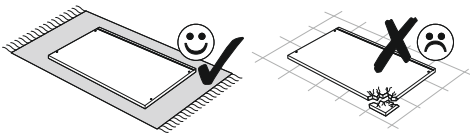
34 ▶



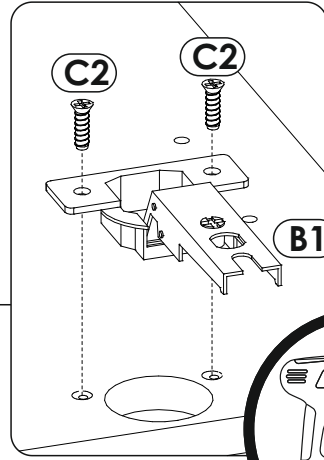
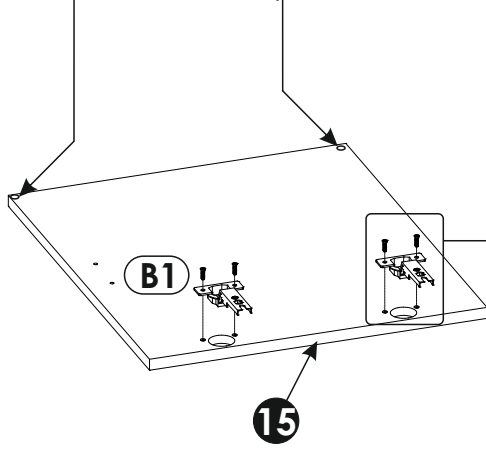
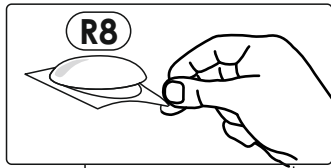
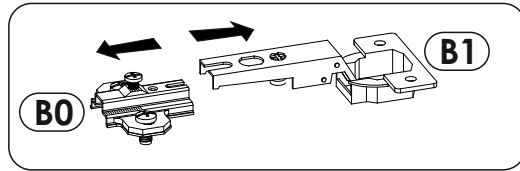
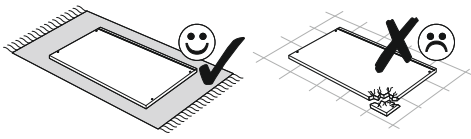
35 ▶



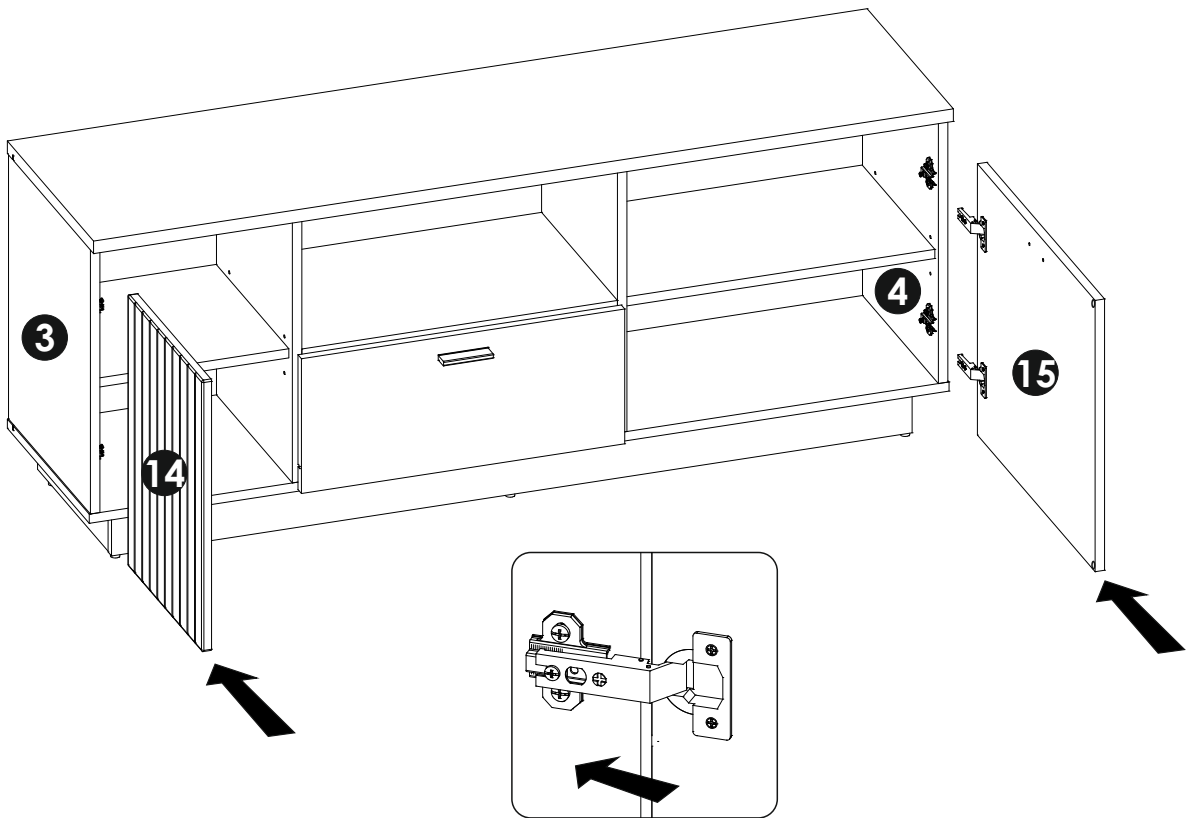
36 ▶

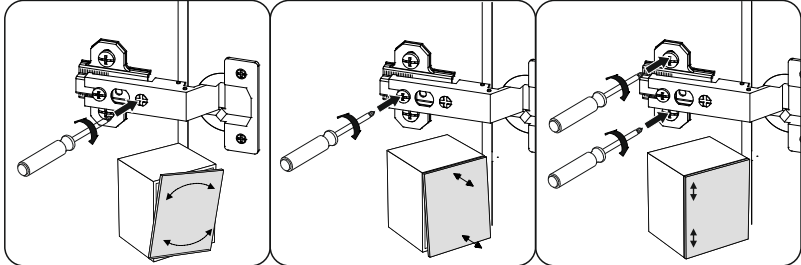
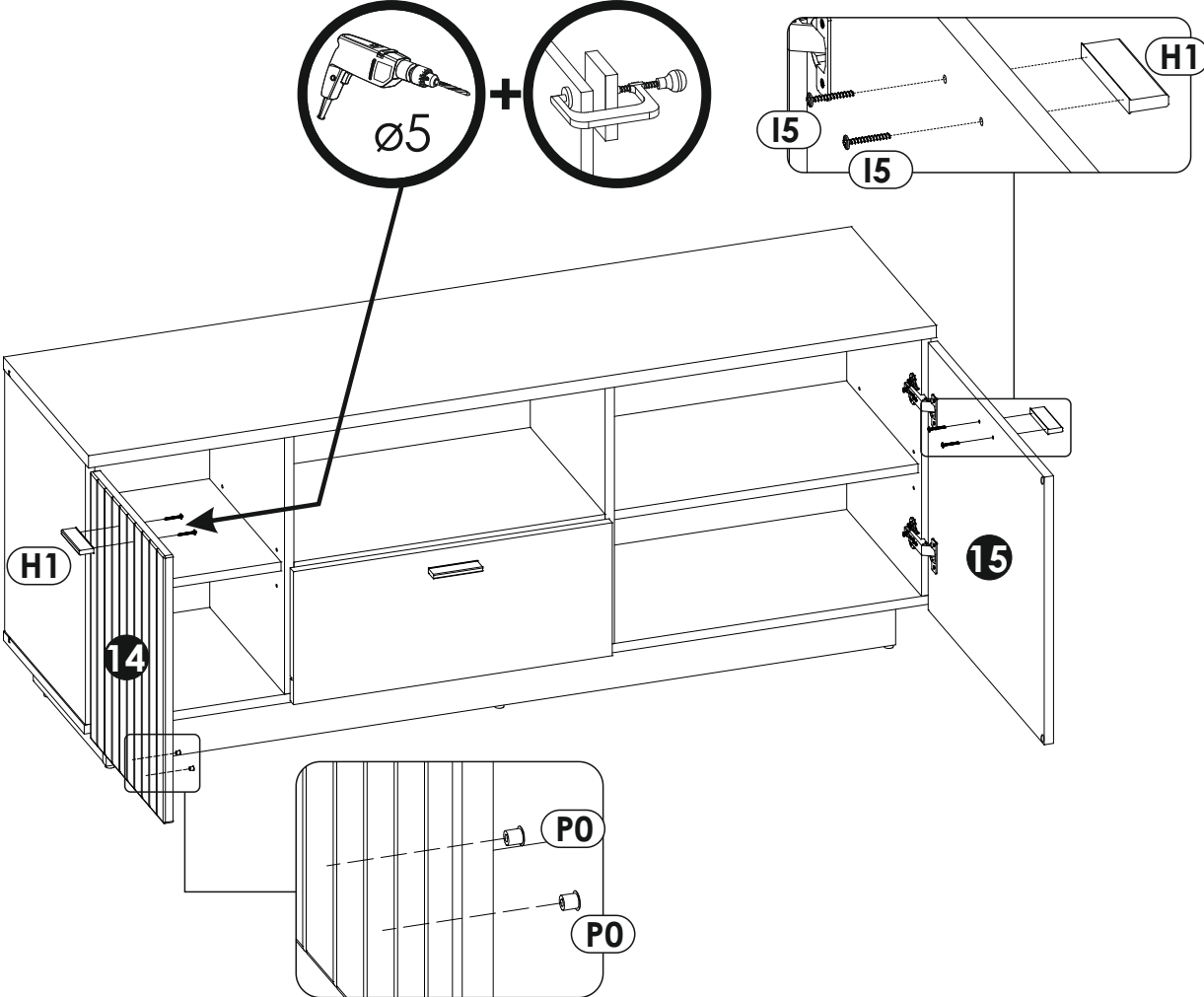


37▶



38▶





40▶

