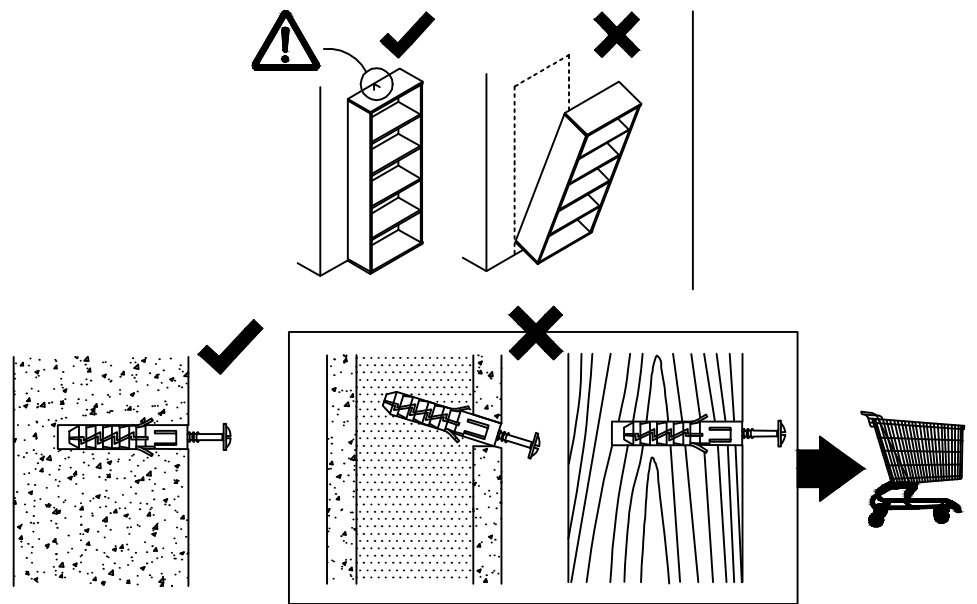
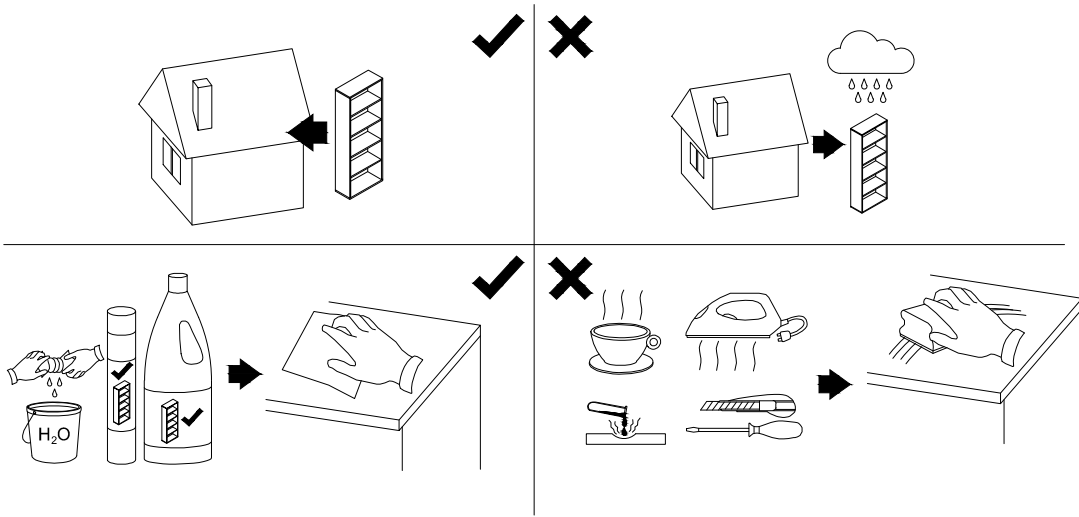
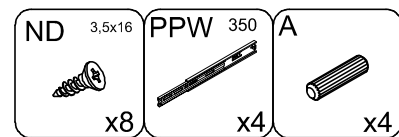
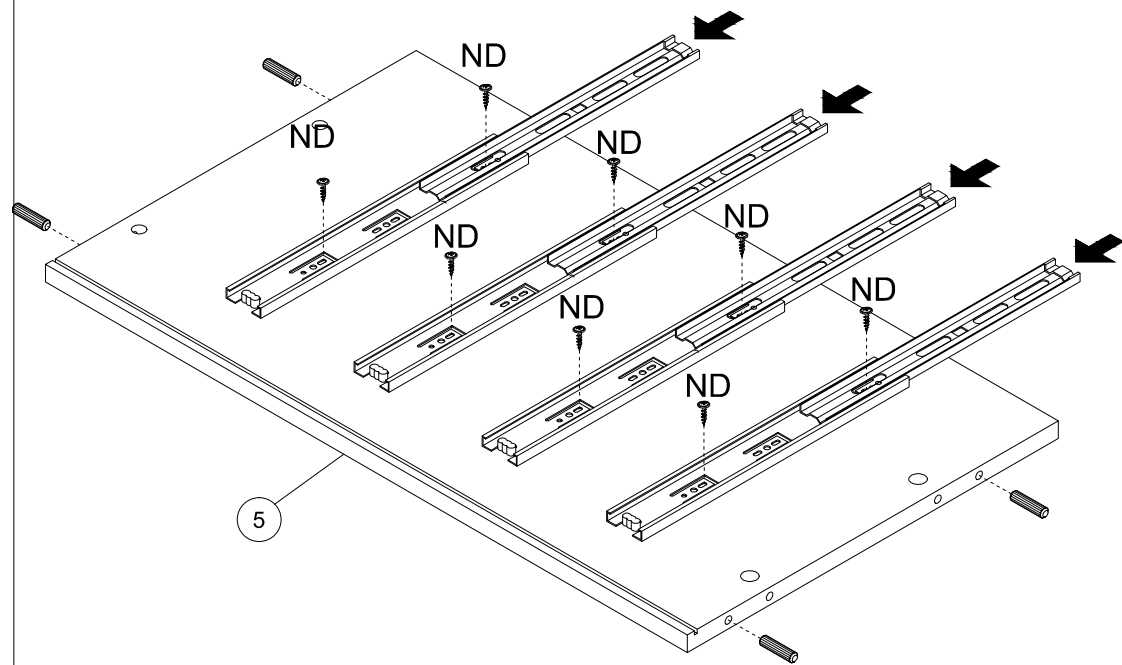
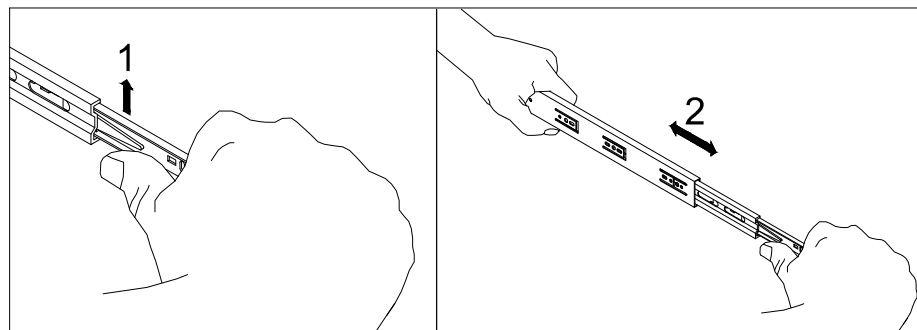
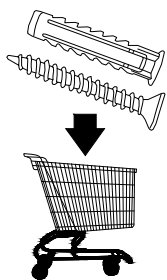


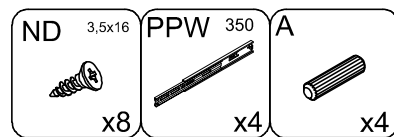
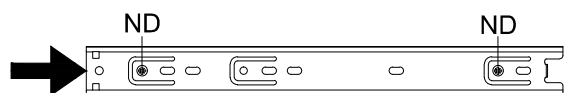
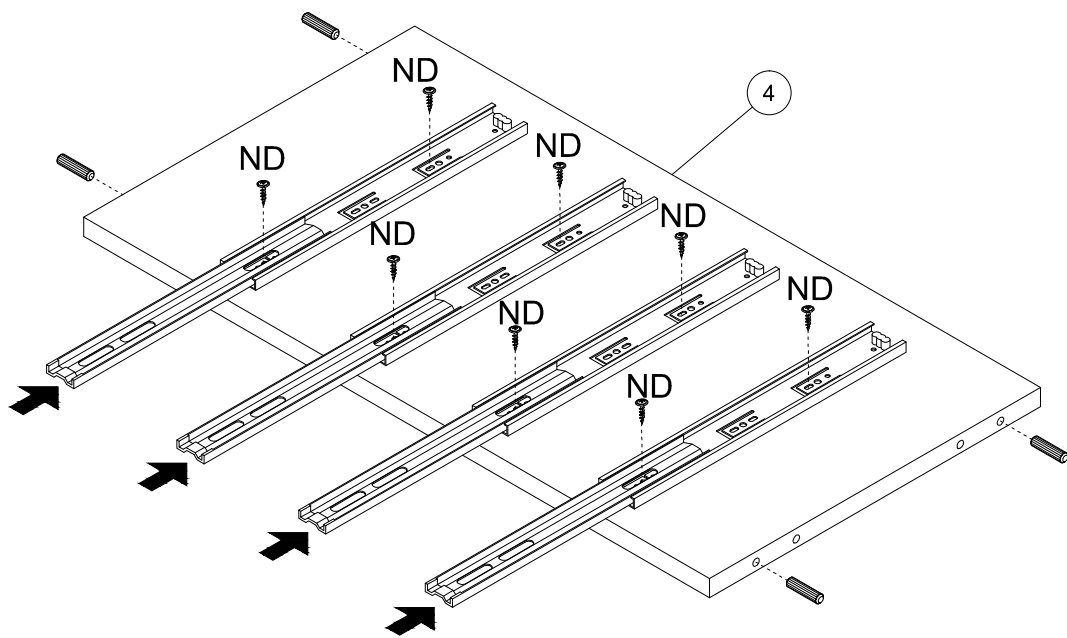
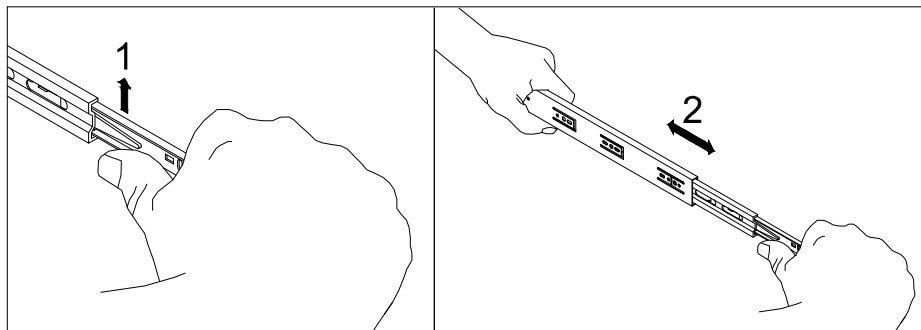
N	3x20	R5	GLUE	W+H2	Z	ND	3,5x16	X
x6	x5	x1	x2	x8	x27	x12		
B	A	TA	H	C	PPW 350	ZZ	V	
x12	8x32	x1	6,3x13	x12	x8	x4	3x13	x34



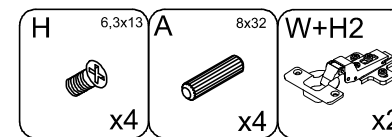
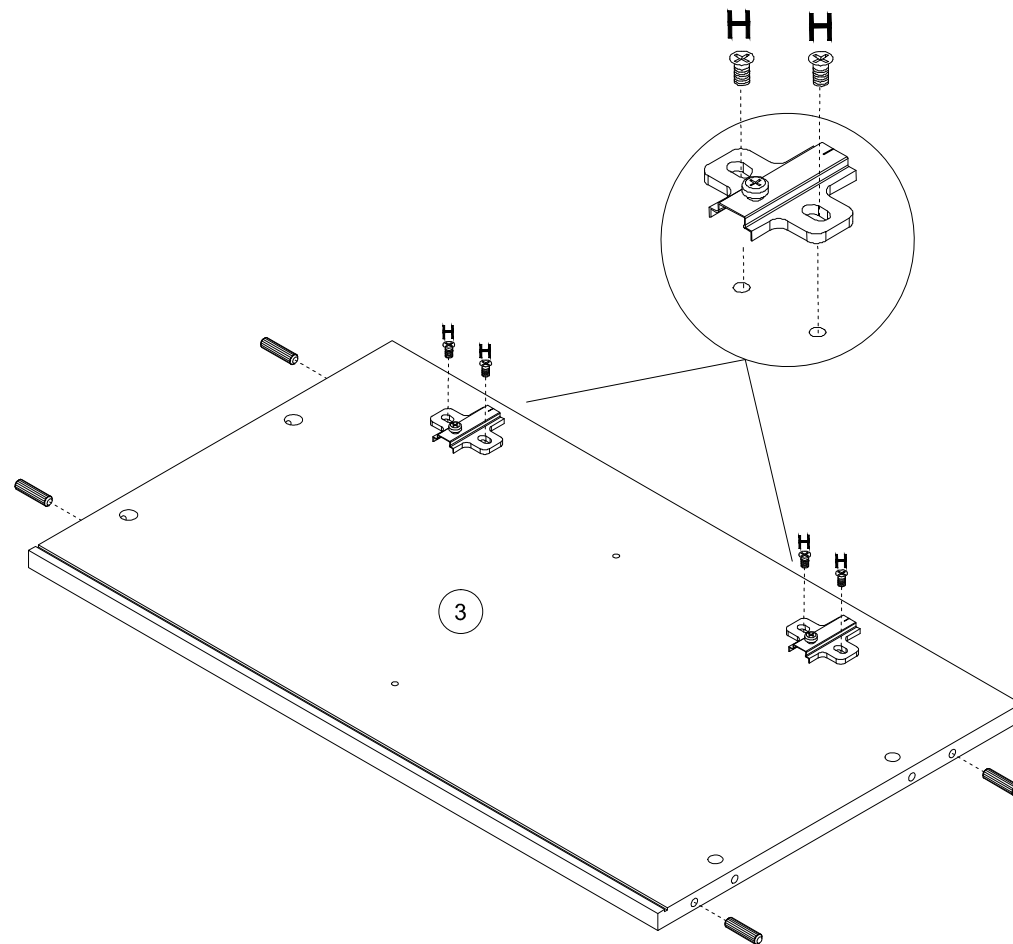
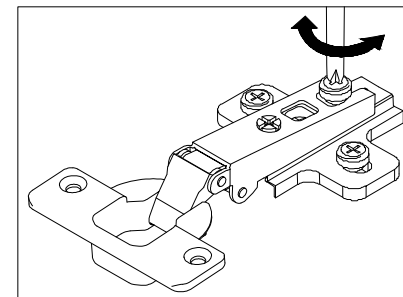
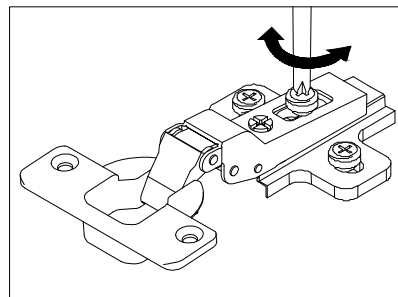
1	1034	390	16	x1	2 / 2
2	1034	390	16	x1	2 / 2
3	675	390	16	x1	2 / 2
4	675	357	16	x1	2 / 2
5	675	390	16	x1	2 / 2
6	493	350	16	x1	2 / 2
7	668	496	16	x1	2 / 2
8	164	496	16	x4	2 / 2
9	347	454	3	x4	2 / 2
10L	350	100	12	x4	2 / 2
10R	350	100	12	x4	2 / 2
11	445	100	12	x4	2 / 2
12	1014	687	3	x1	2 / 2



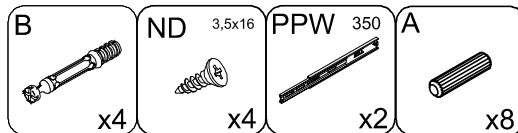
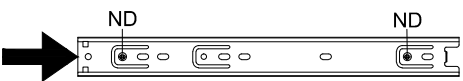
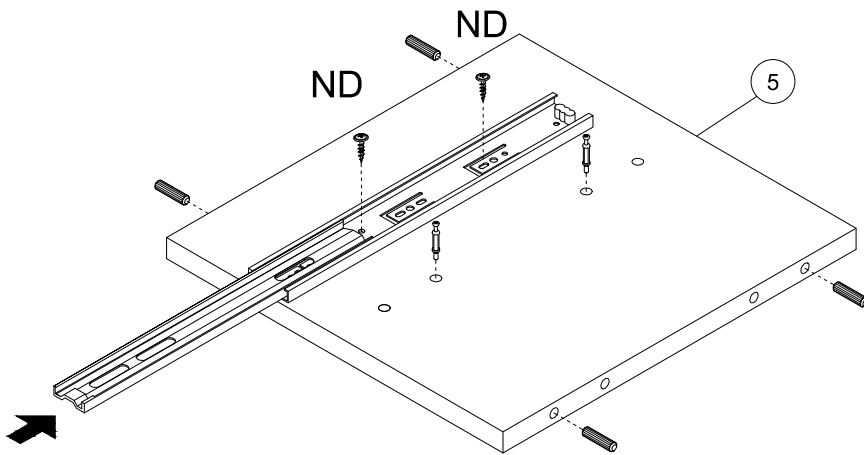
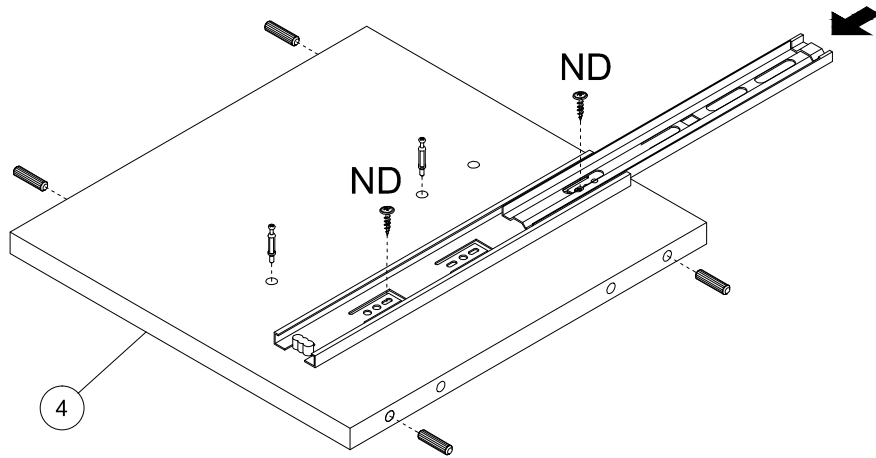
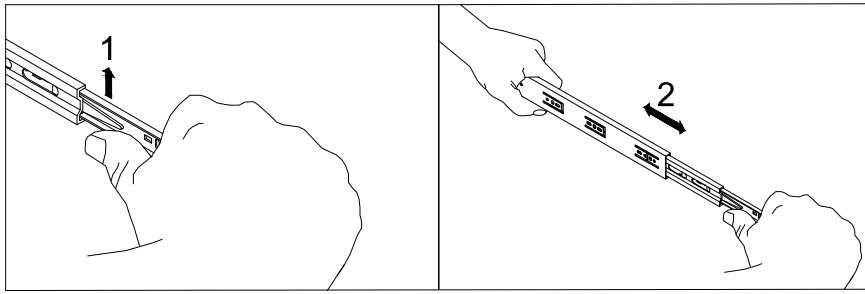
2



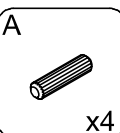
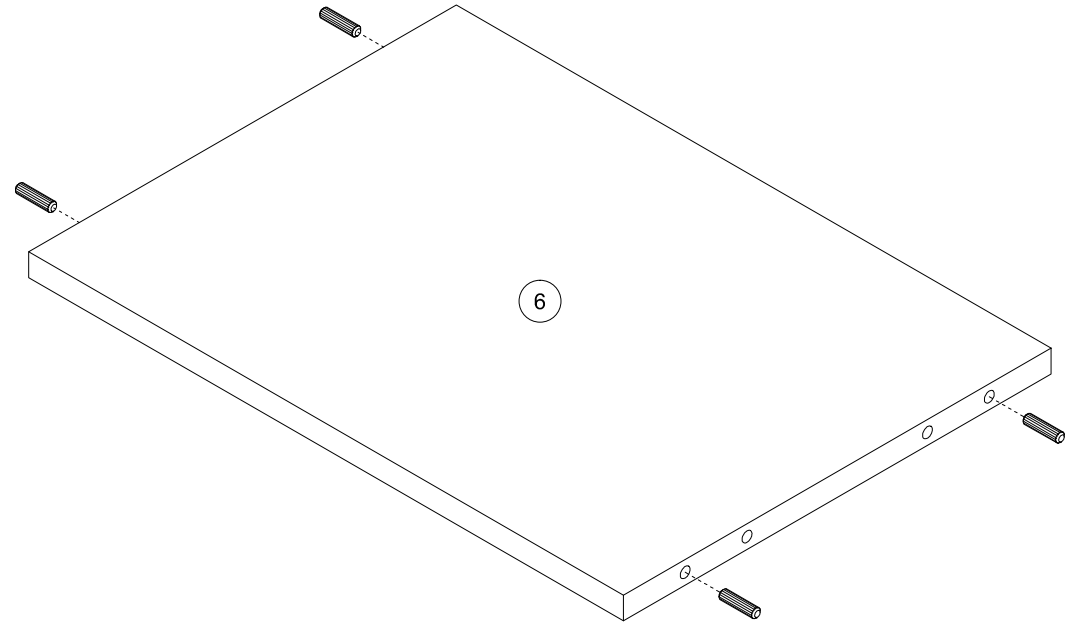
3

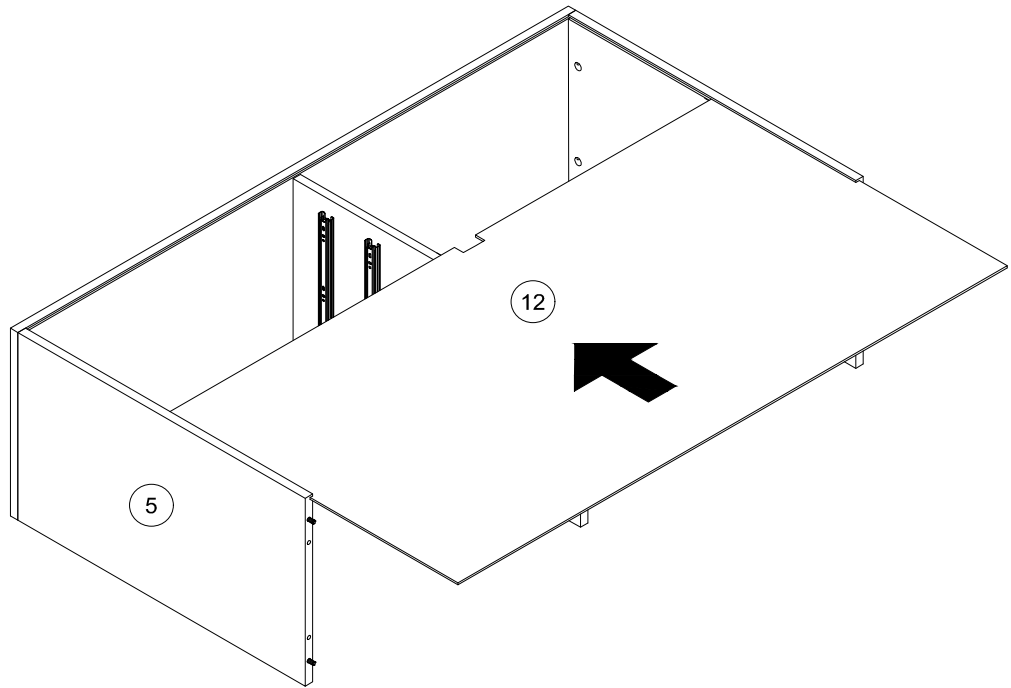
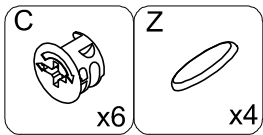
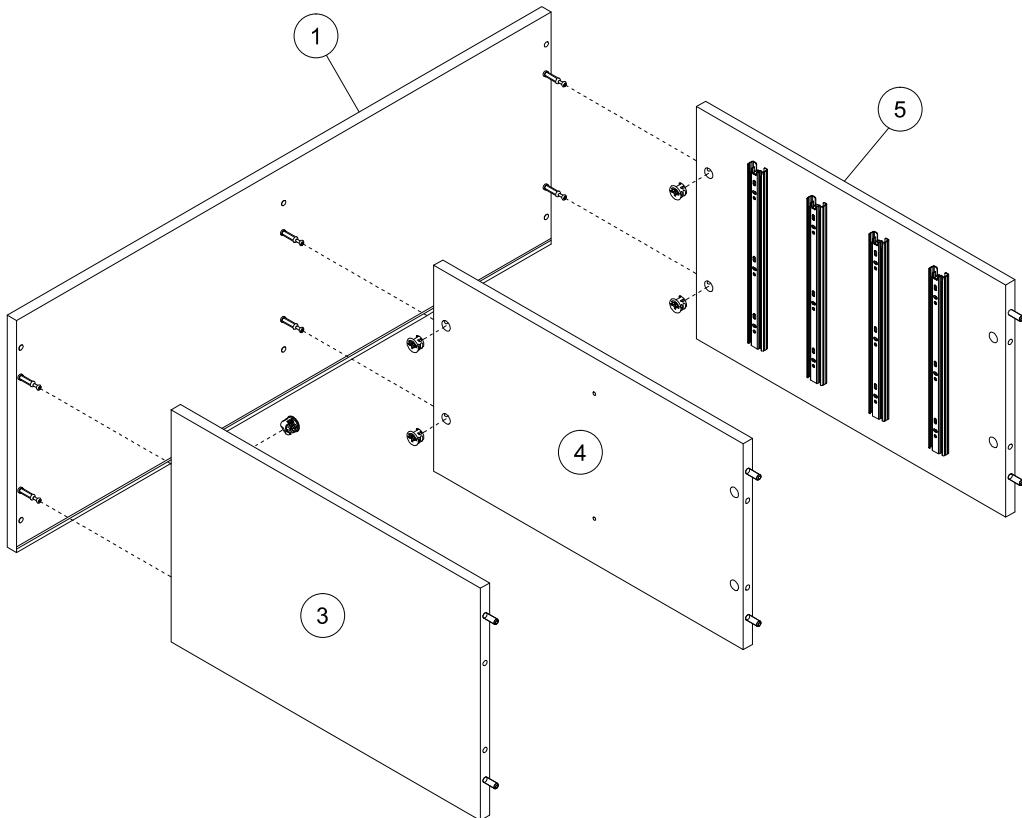
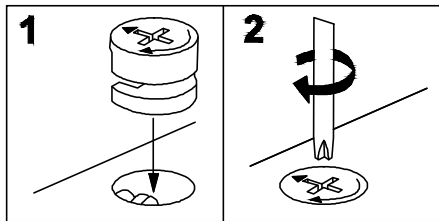


4

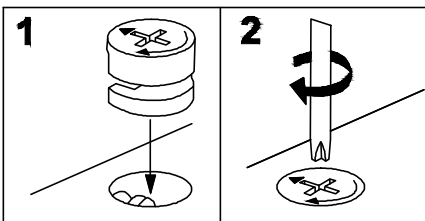
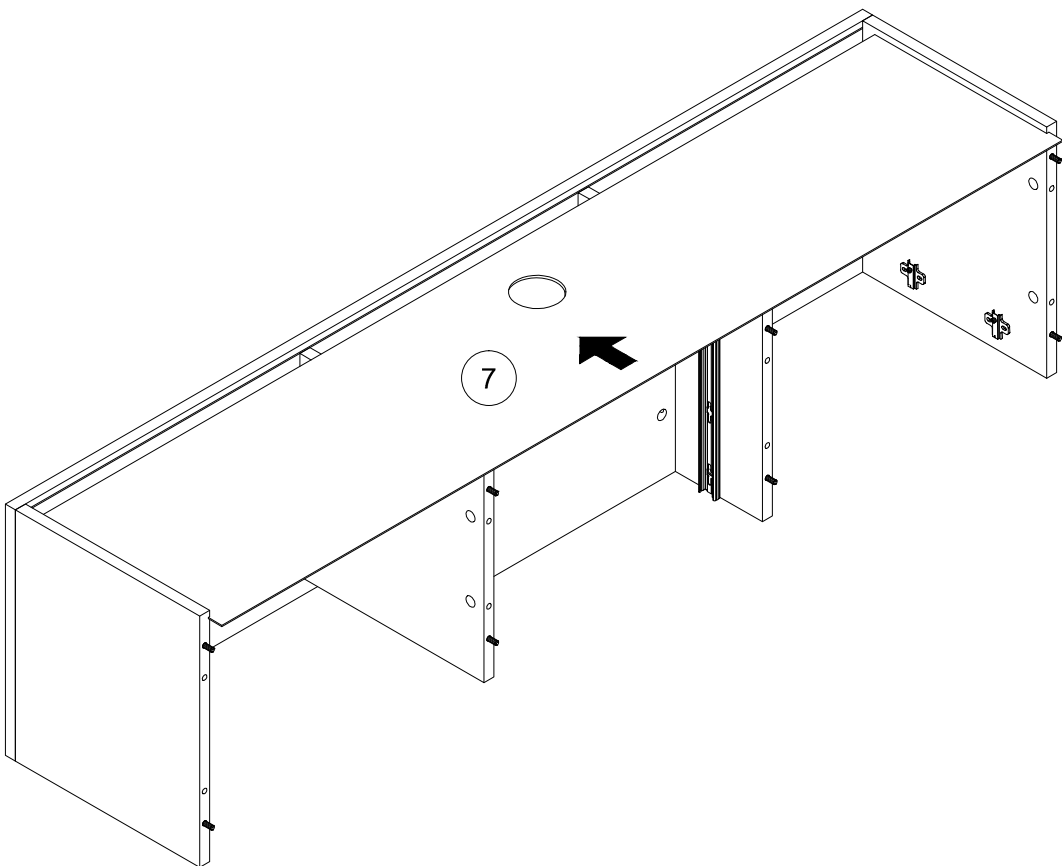


5

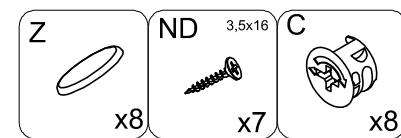
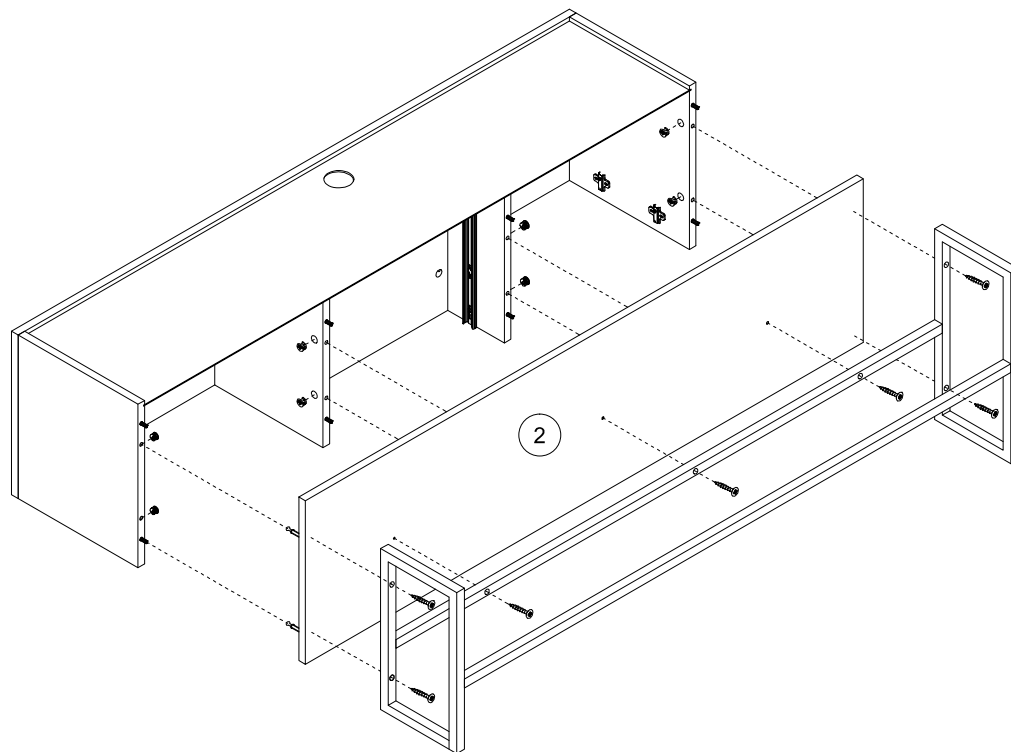




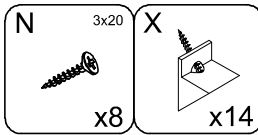
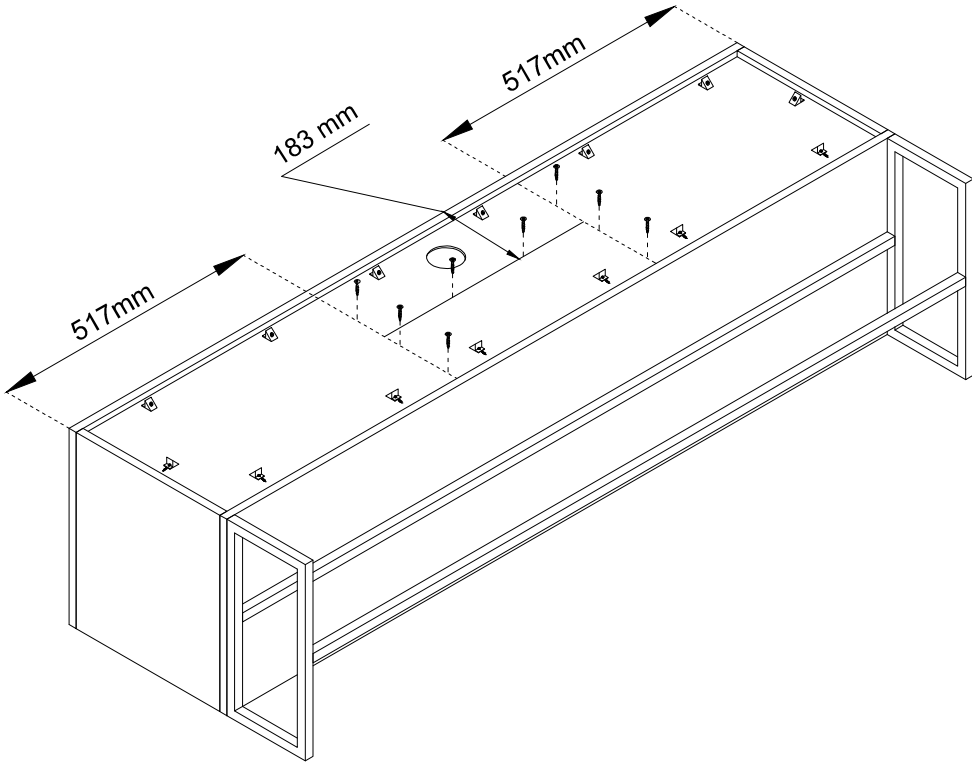
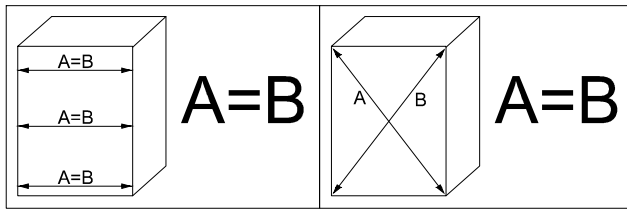
8



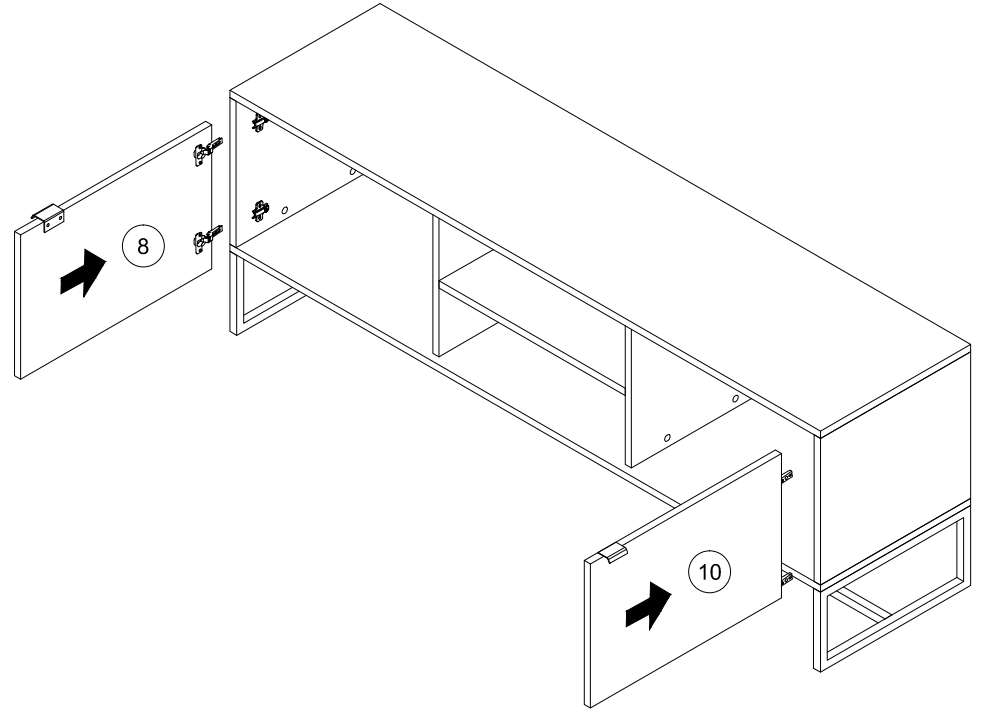
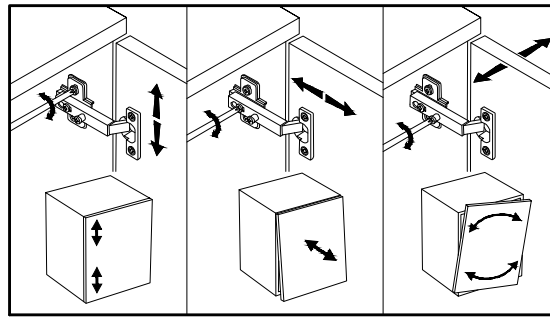
9

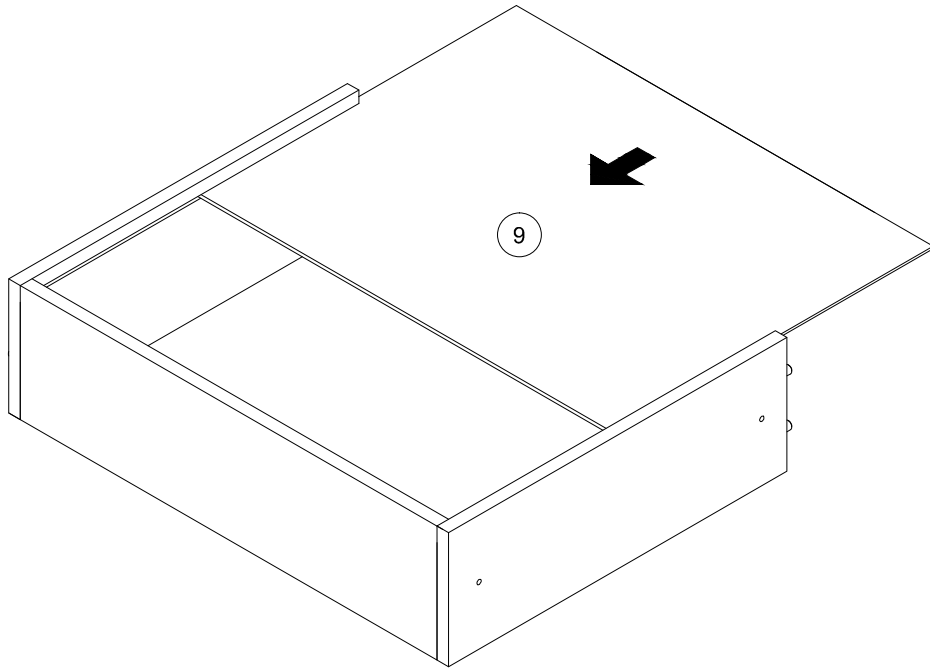


10

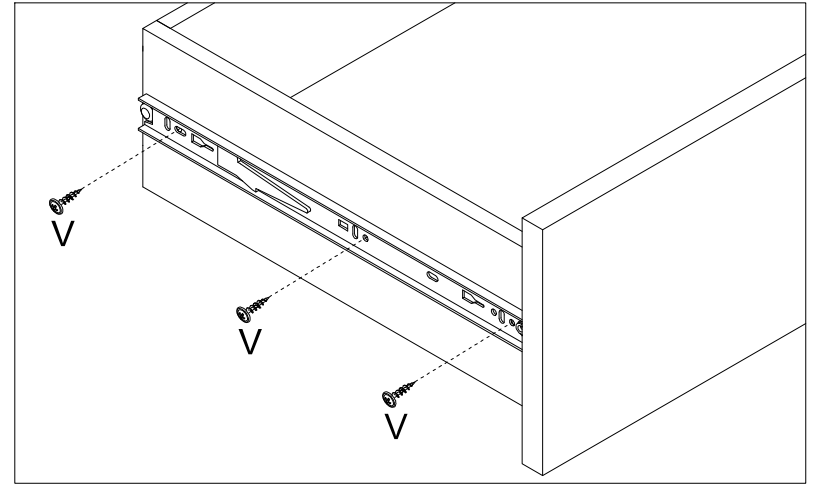


11

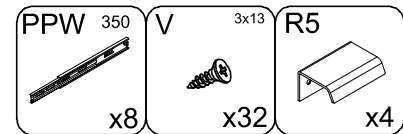
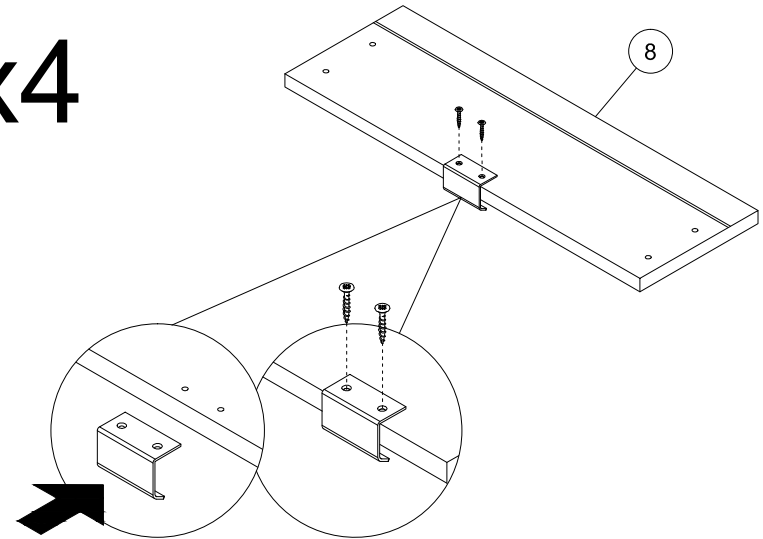




x4



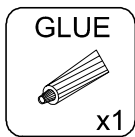
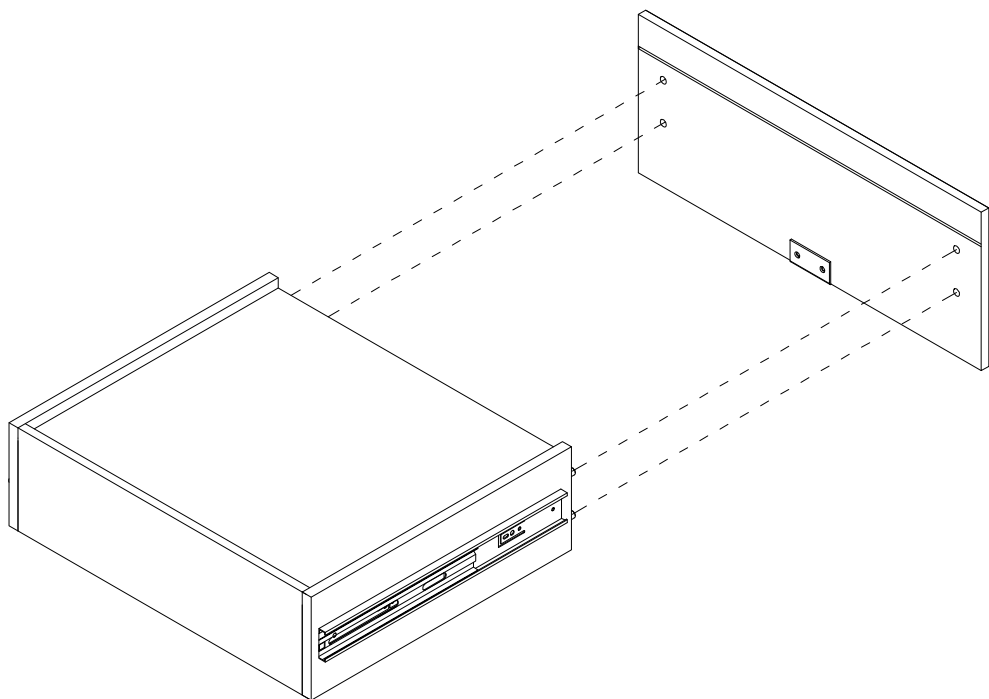
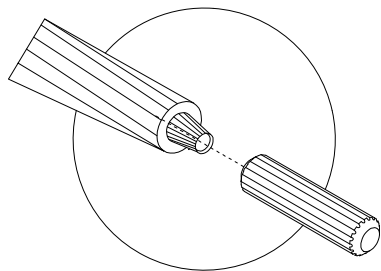
x4



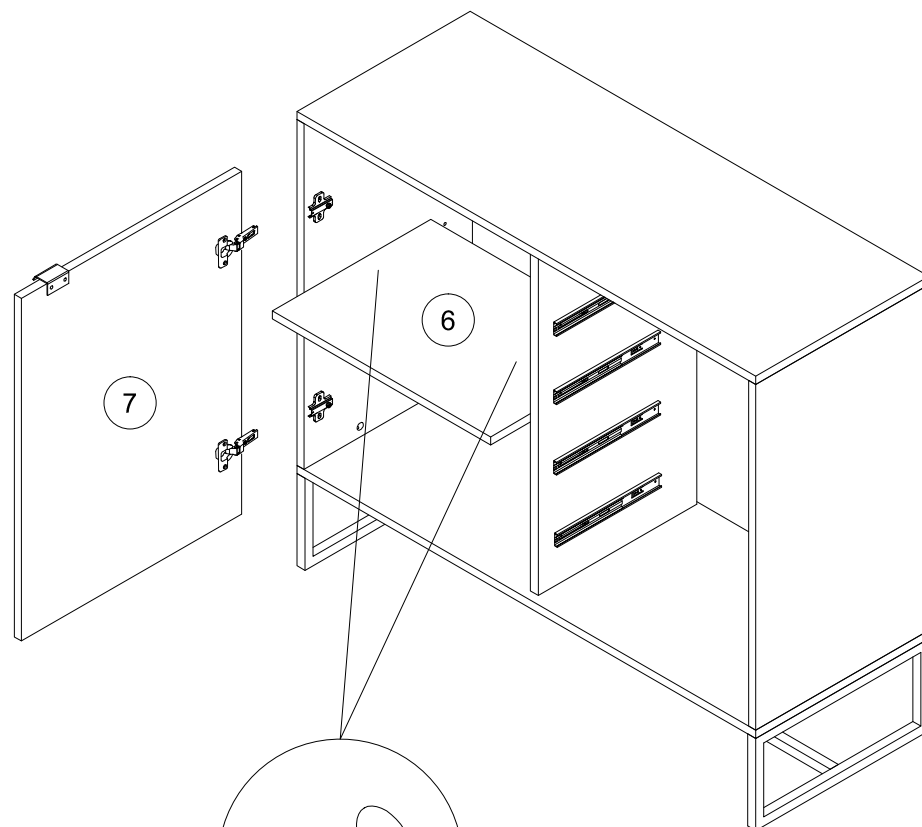
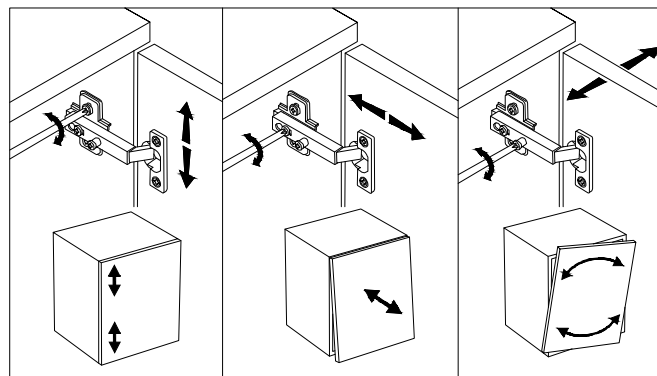
14

x4

30 min



15



ZZ

