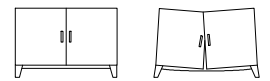
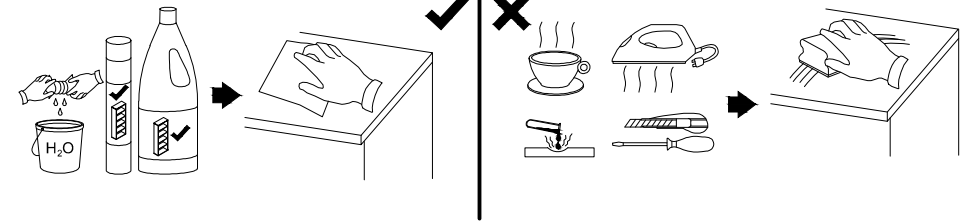
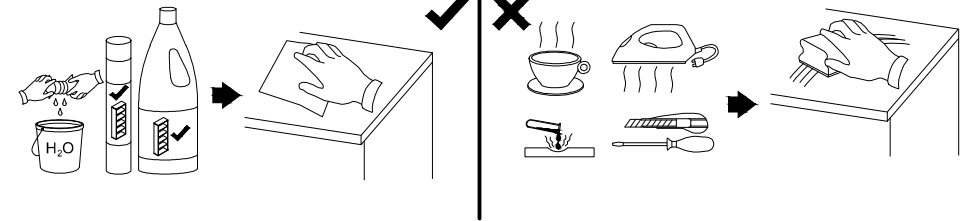
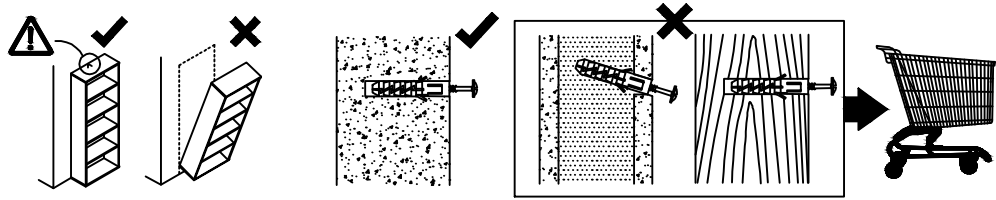
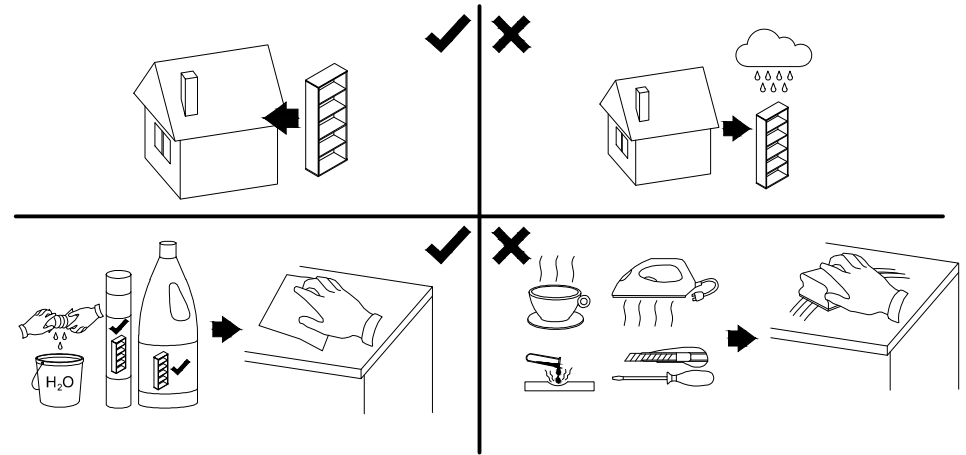
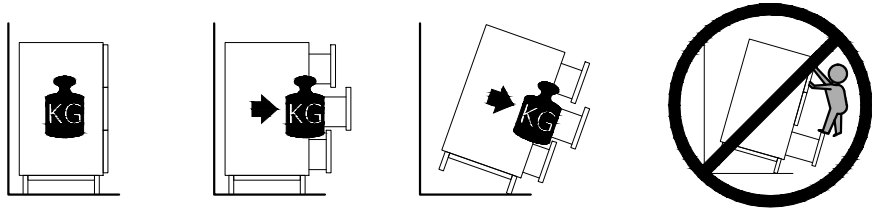


max. = 25 kg.

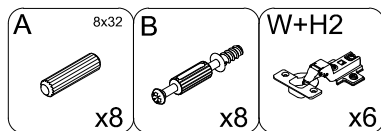
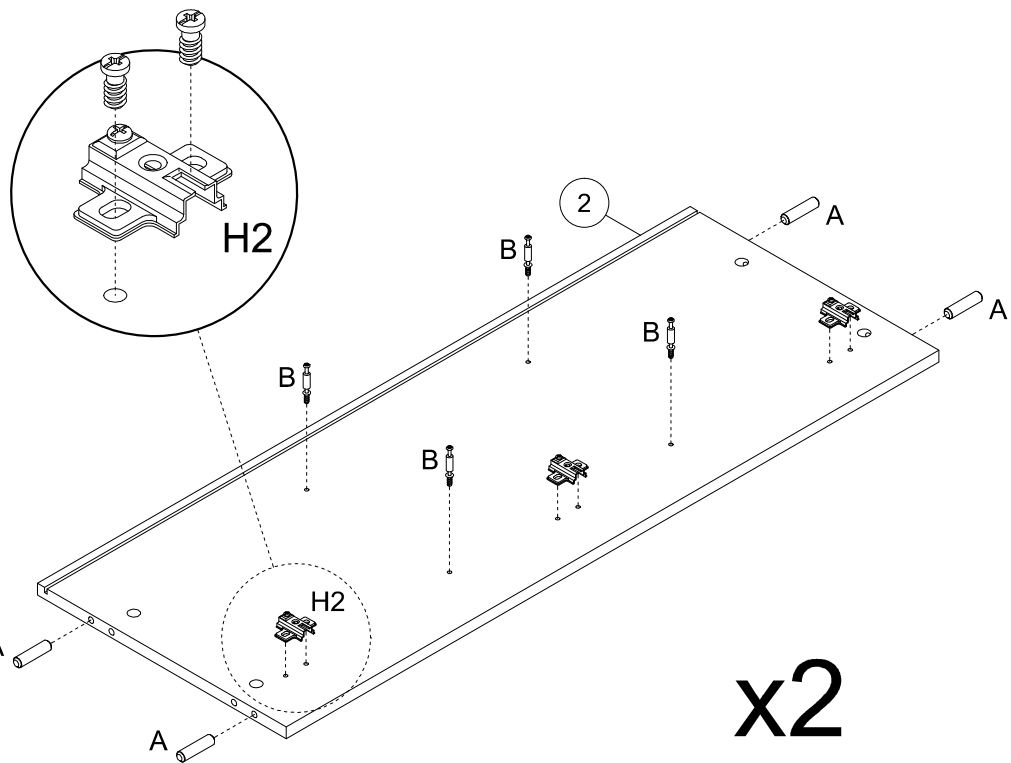
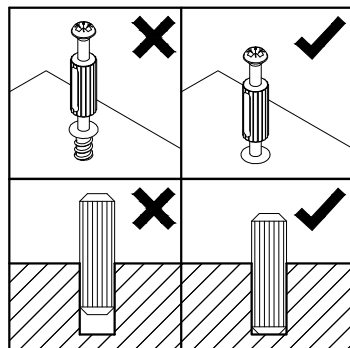
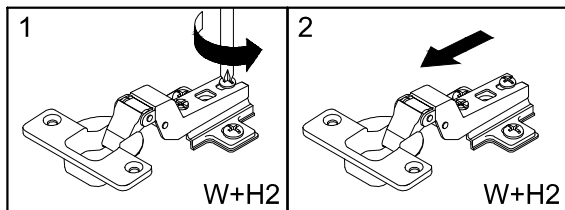


A 8x32 x12	B x20	B1 x4	C x28
KG x2	N 3x20 x22	ND 3,5x16 x13	NF 4,5x16 x20
TA x1	W+H2 x6	X x14	ZC x16
			Z x12
			NS 3,5x13 x4

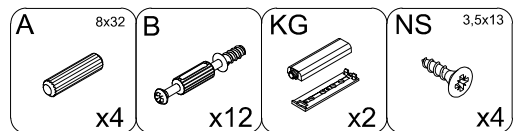
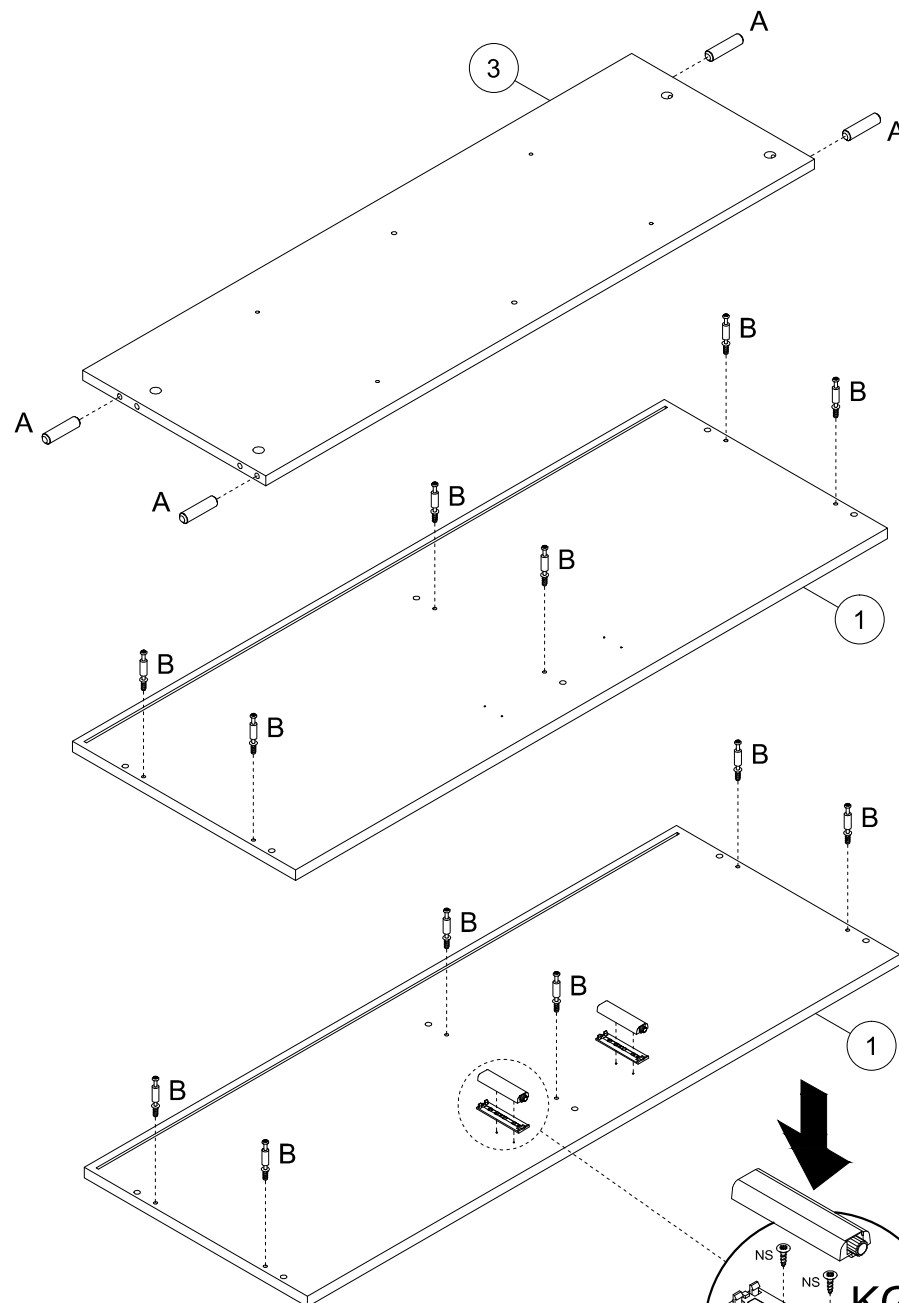
1	1035	390	16	x2	2 / 3
2	1023	390	16	x2	2 / 3
3	1023	341	16	x1	3 / 3
4	493	341	16	x4	3 / 3
5	1017	496	16	x1	3 / 3
6	1017	496	16	x1	3 / 3
7	1014	345	2.5	x2	2 / 3
8	1014	345	2.5	x1	2 / 3

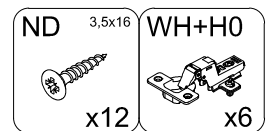
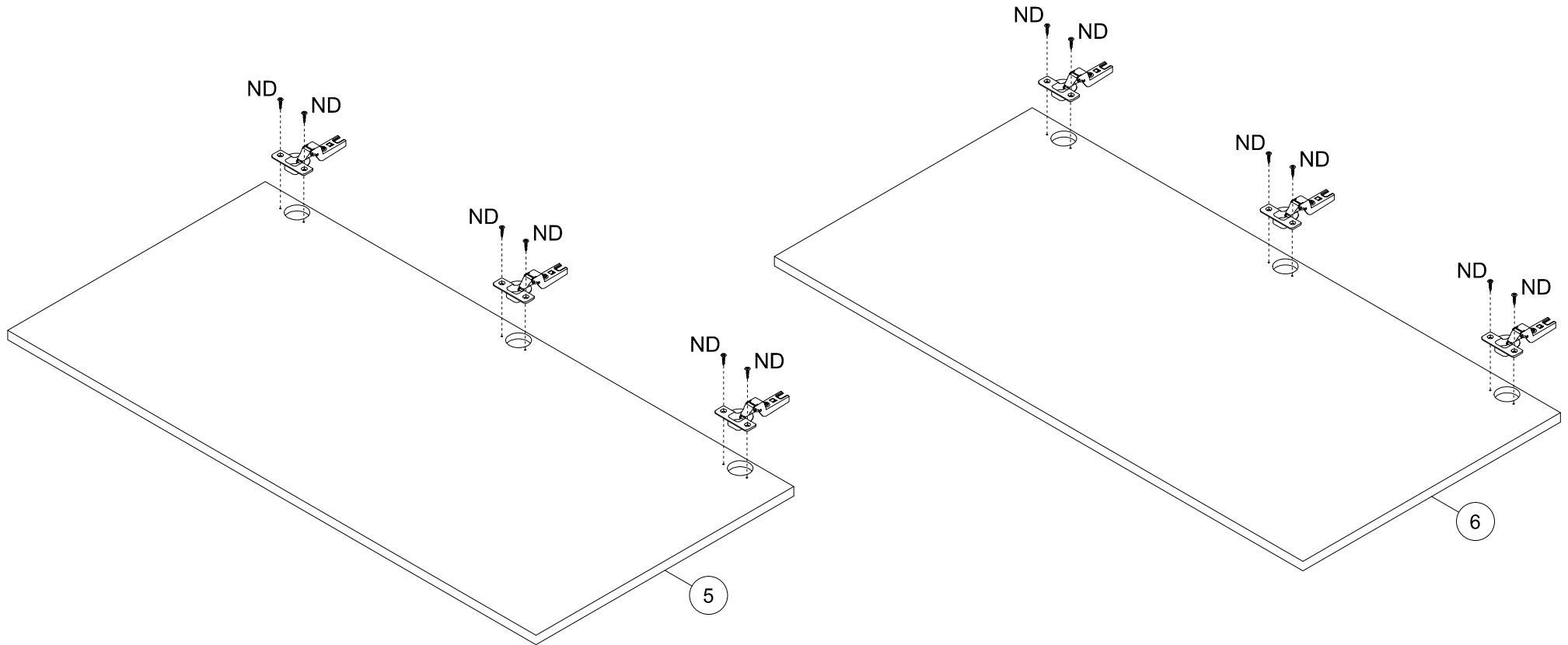
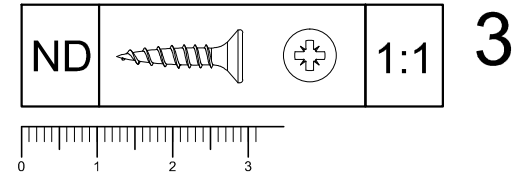
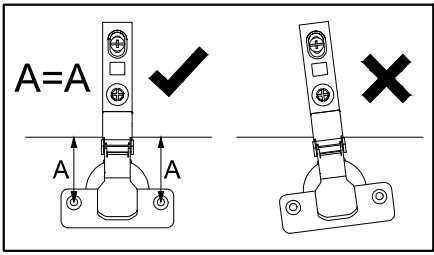


1



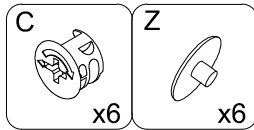
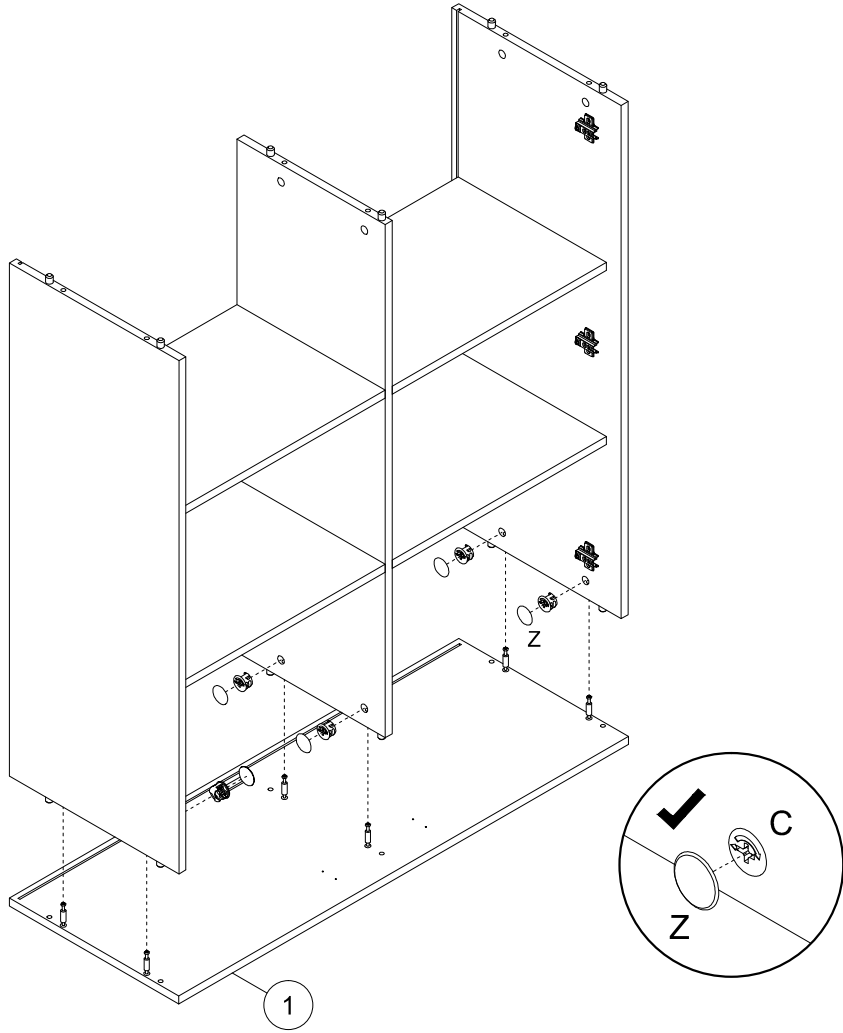
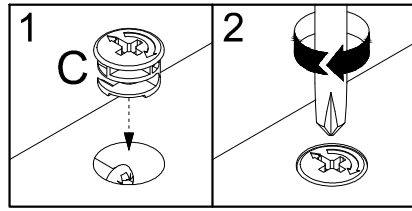
2



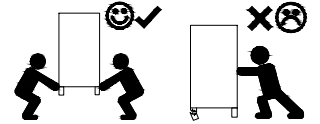
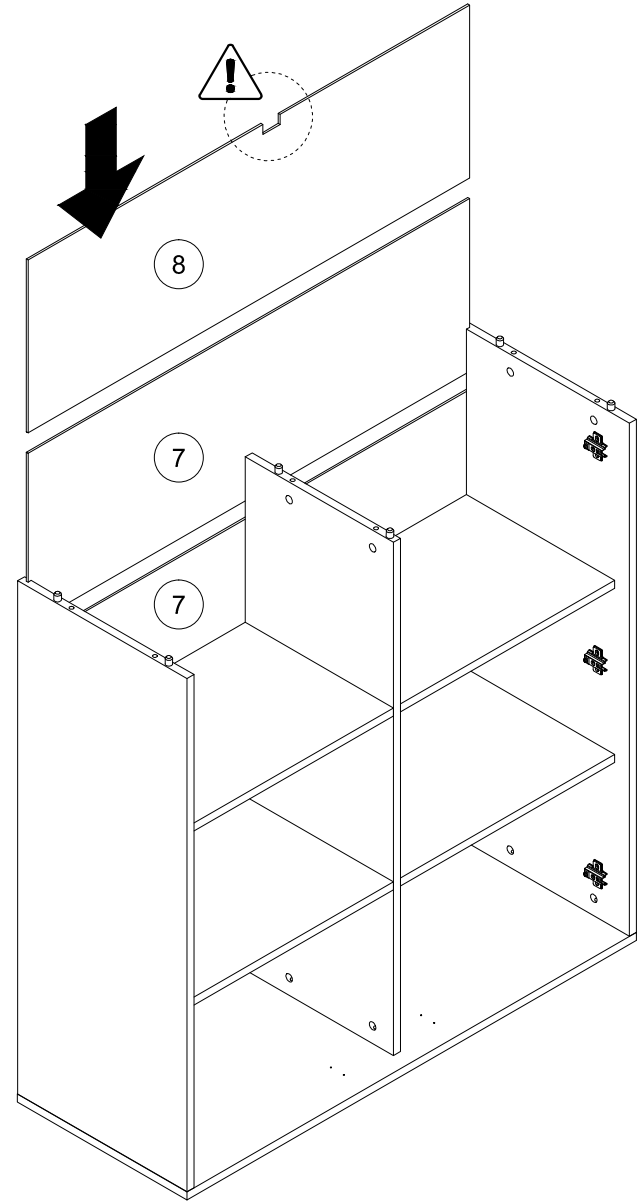




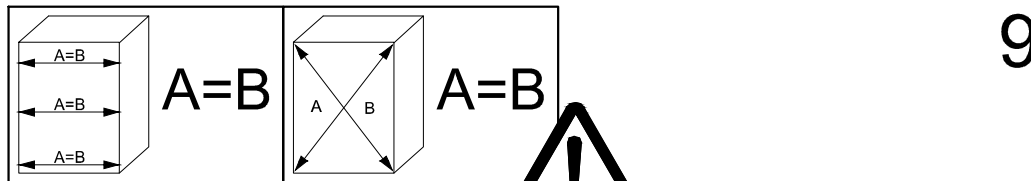
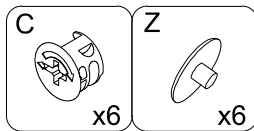
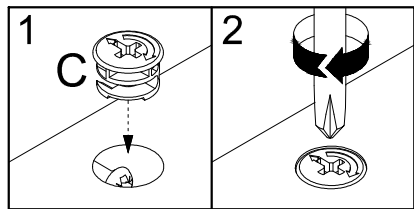
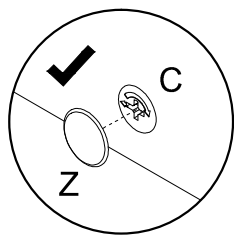
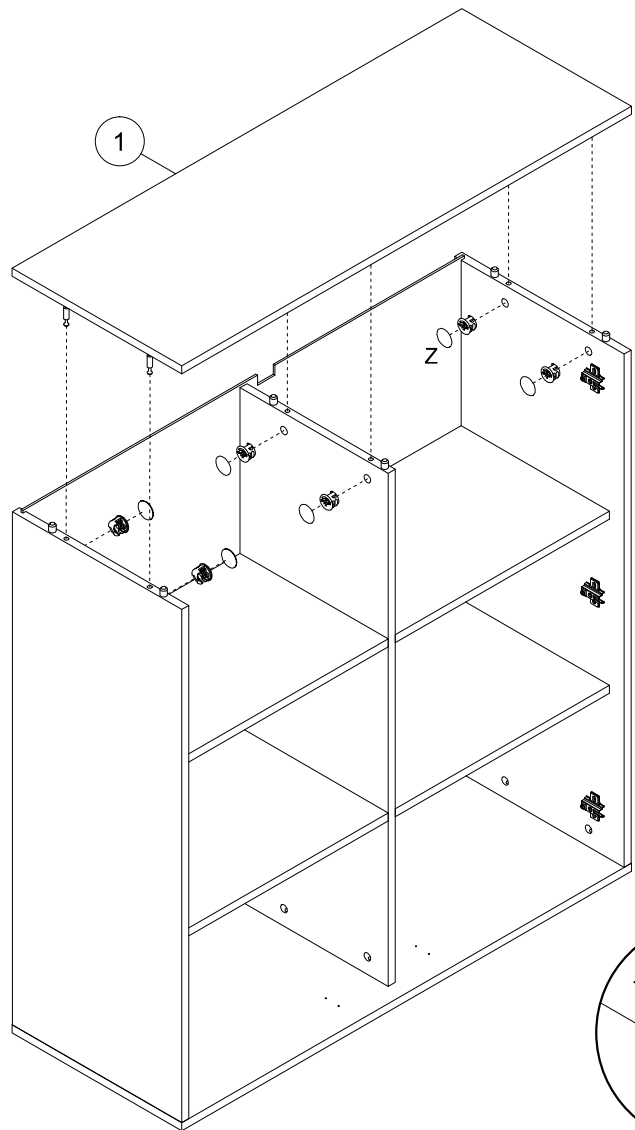
6



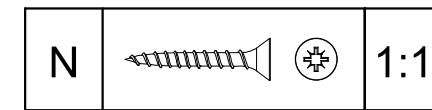
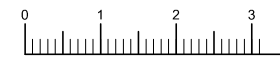
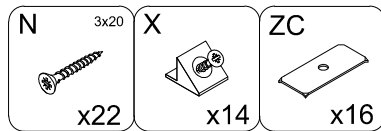
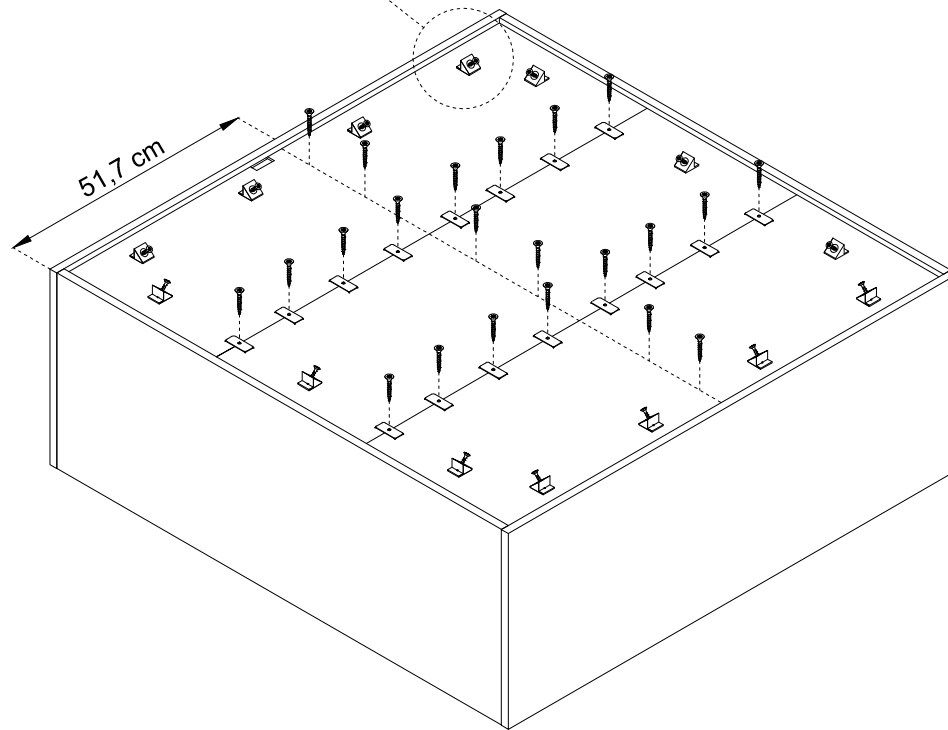
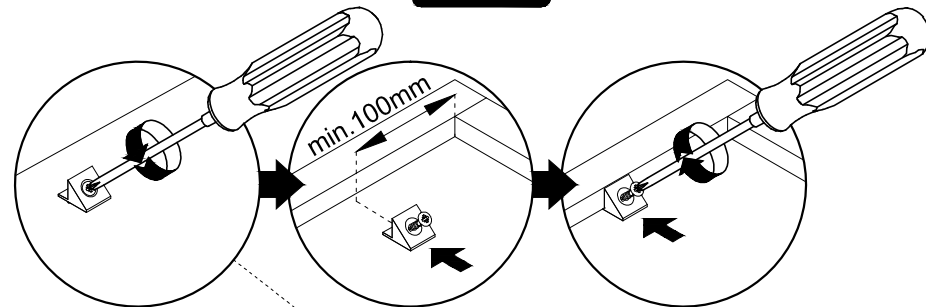
7



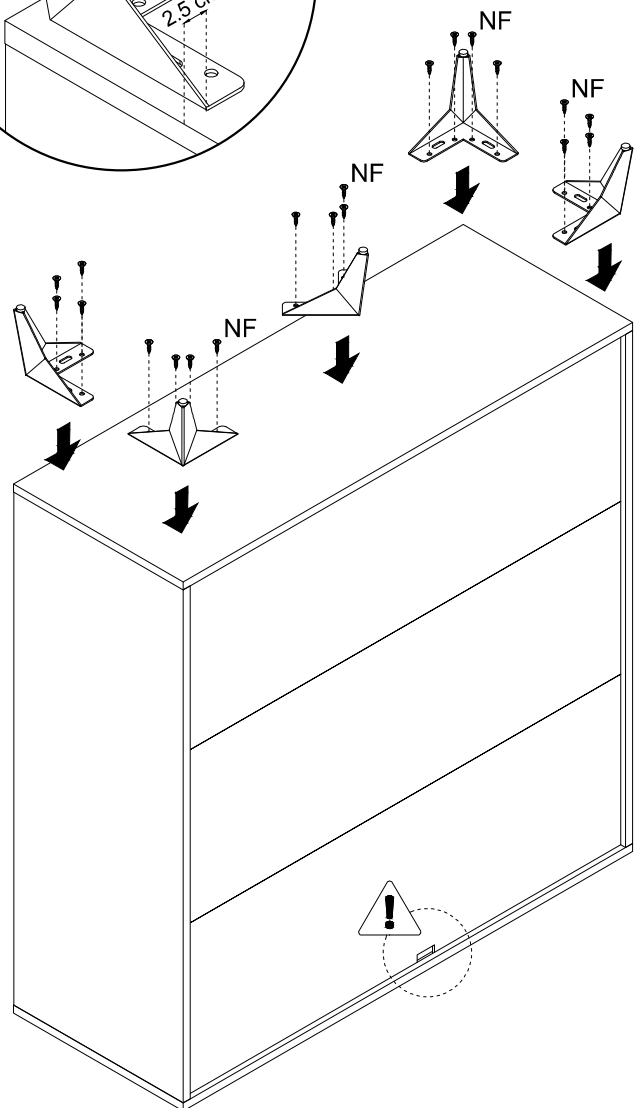
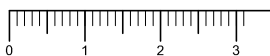
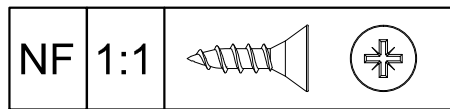
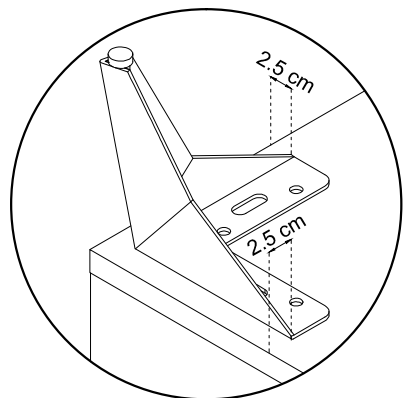
8



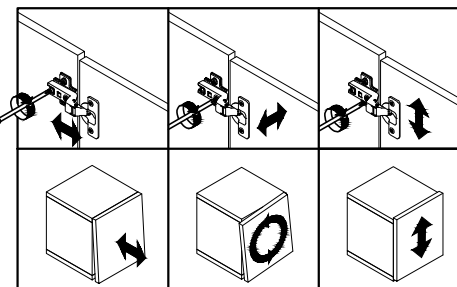
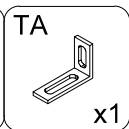
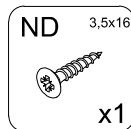
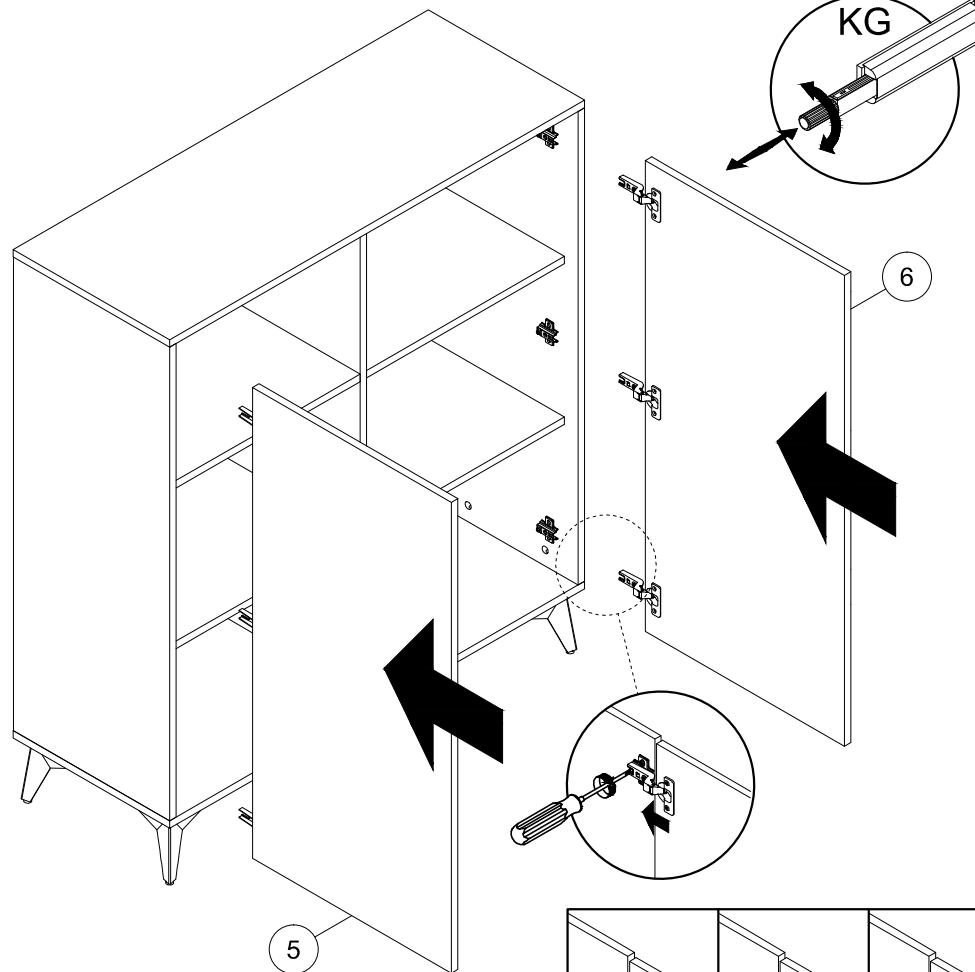
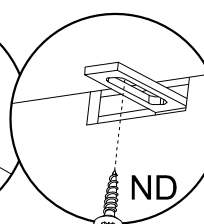
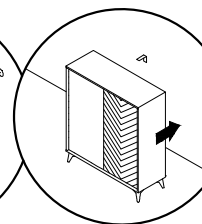
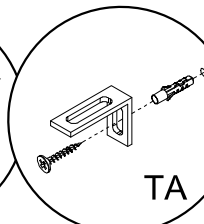
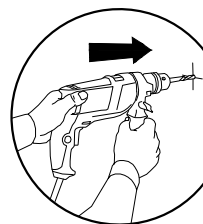
9



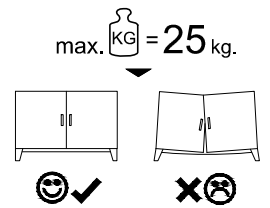
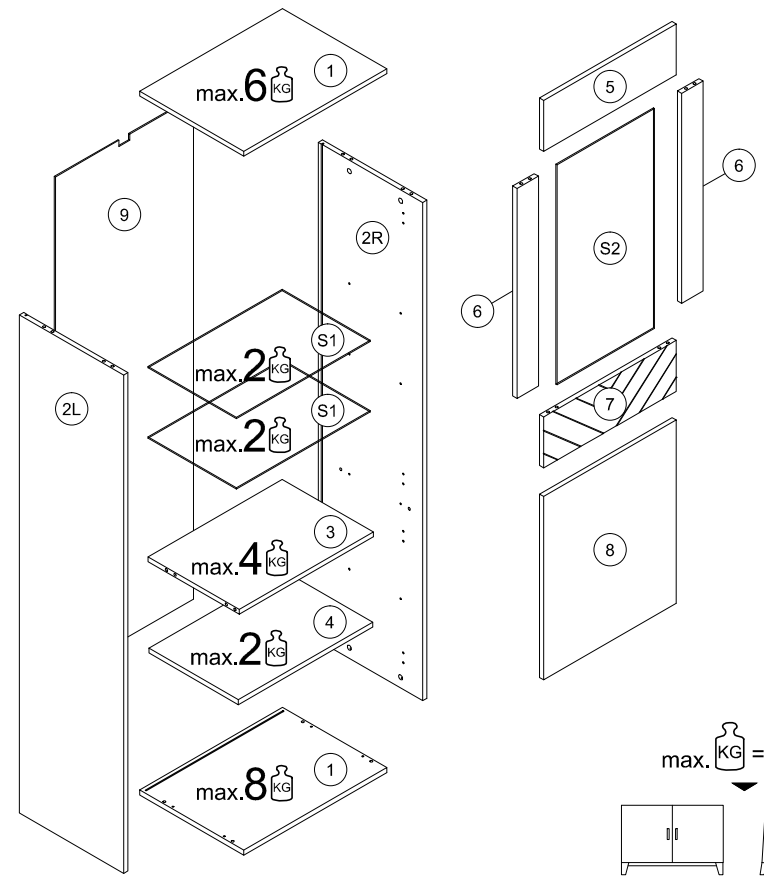
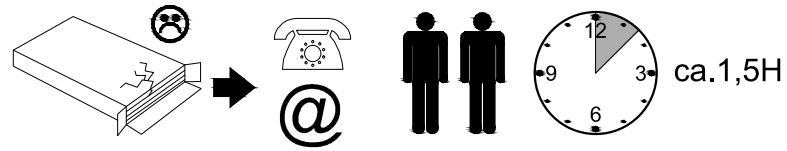
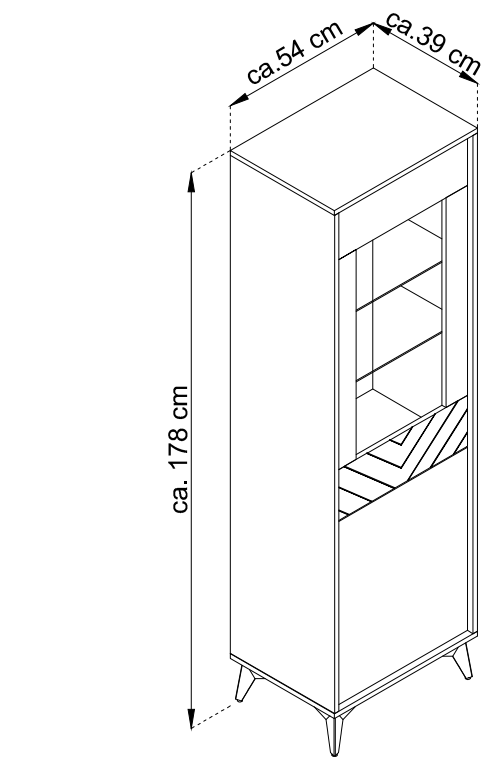
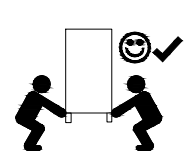
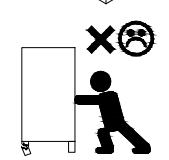
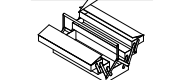
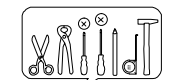
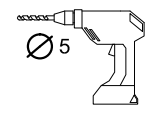
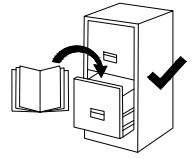
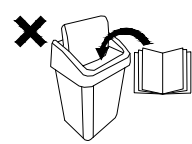
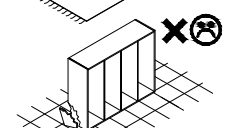
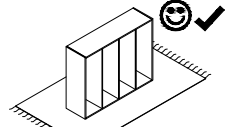
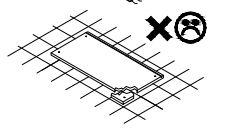
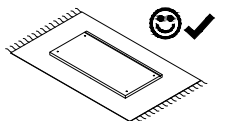
10



11

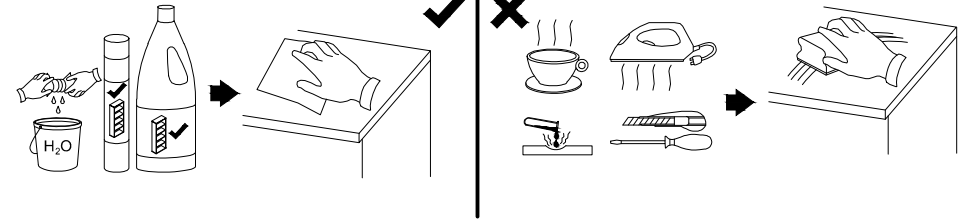
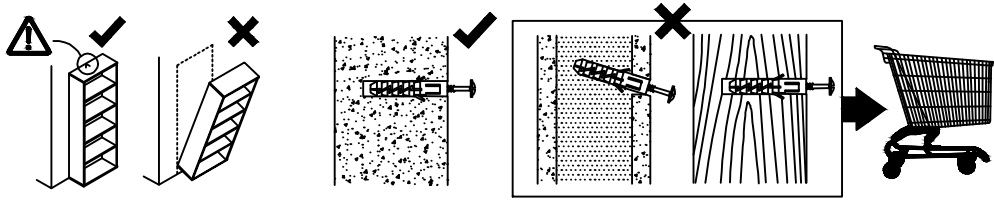
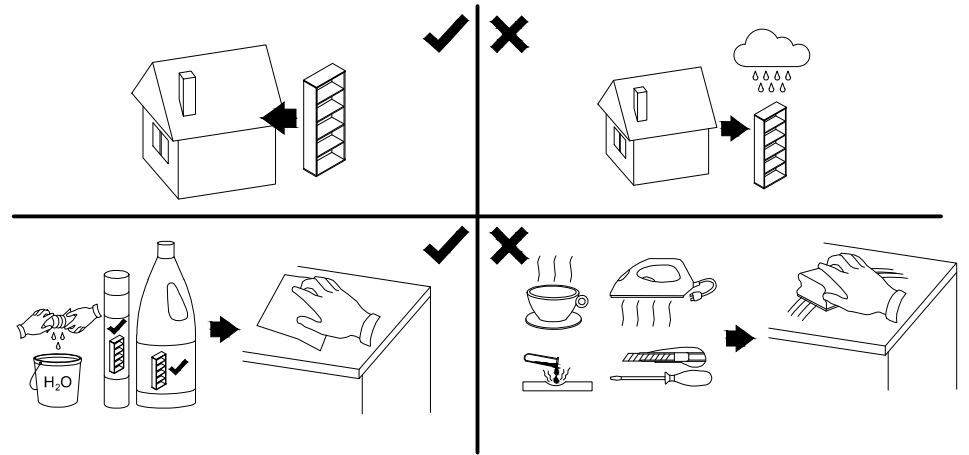
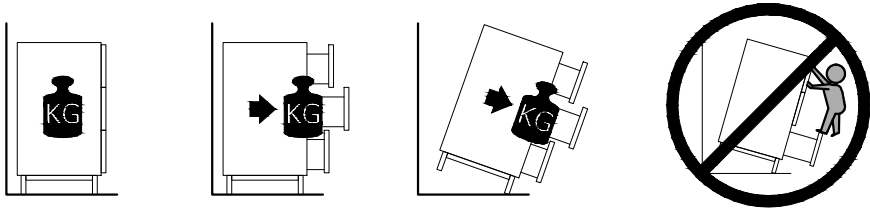




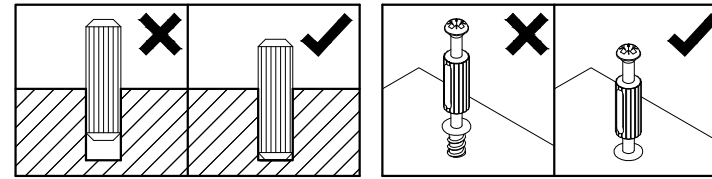
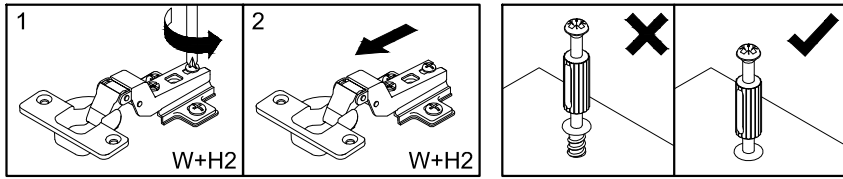


A	8x32	AB	8x38		
	x12		x8		
B		C	GLUE	KG	N
	x12		x1	x2	x5
ND	3,5x16	NS	3,5x13	NF	4,5x16
	x17		x4		x16
X		X1	Z	ZE	ZZ
	x12		x8	x8	x4

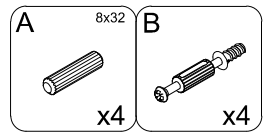
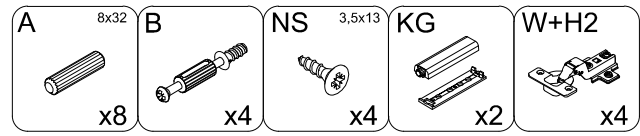
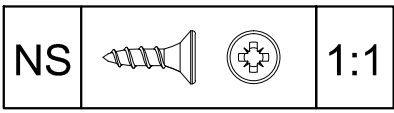
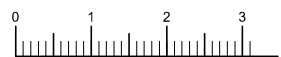
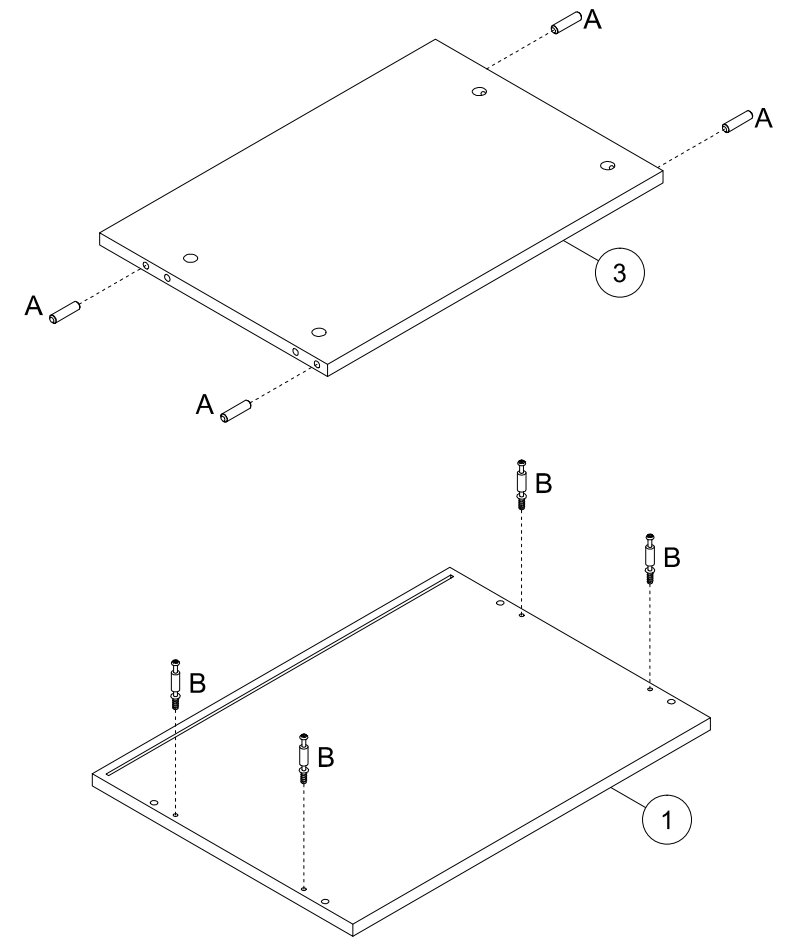
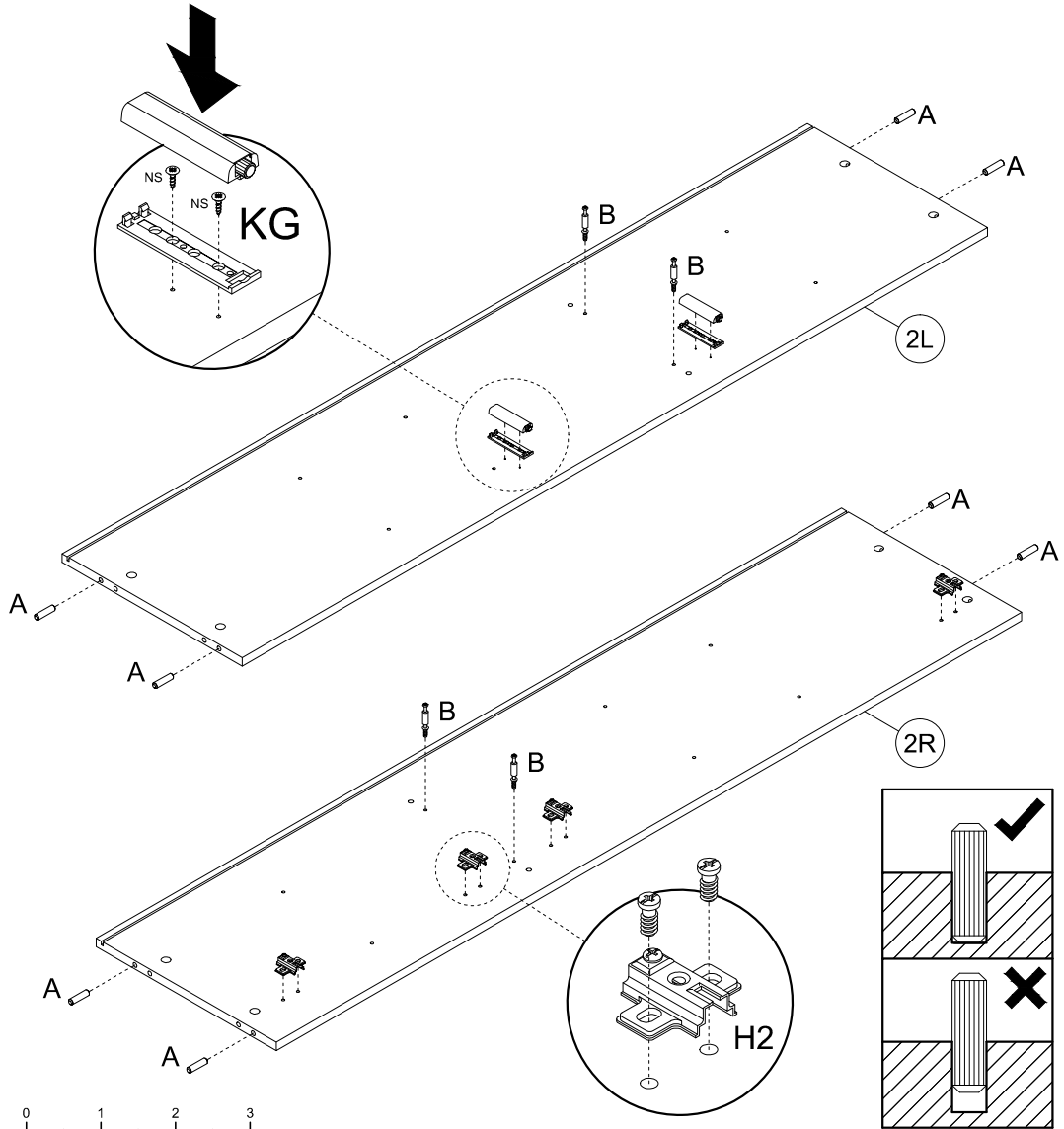
1	535	390	16	x2	2 / 2
2L	1614	390	16	x1	2 / 2
2R	1614	390	16	x1	2 / 2
3	502	341	16	x1	2 / 2
4	502	320	16	x1	2 / 2
5	496	165	16	x1	2 / 2
6	680	80	16	x2	2 / 2
7	496	165	16	x1	2 / 2
8	496	594	16	x1	2 / 2
9	1626	515	2.5	x1	2 / 2
S1	501	320	4	x2	2 / 2
S2	712	365	4	x1	2 / 2



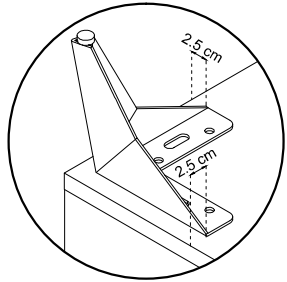
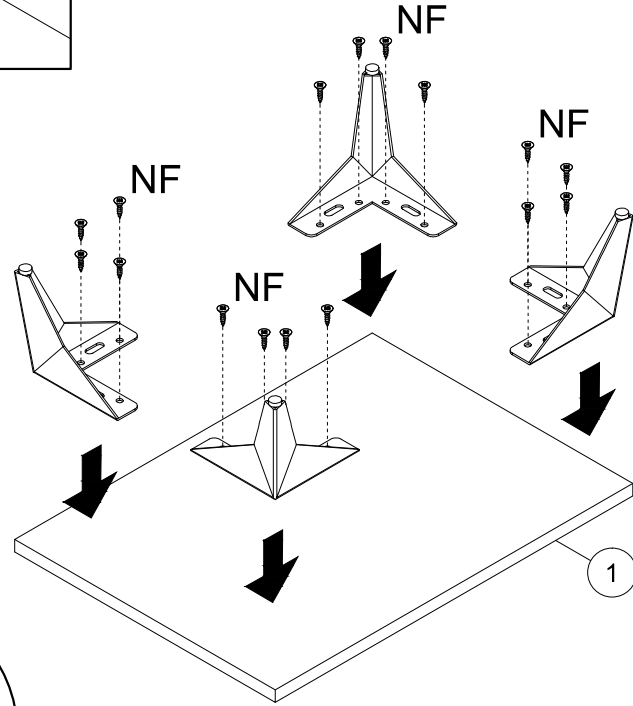
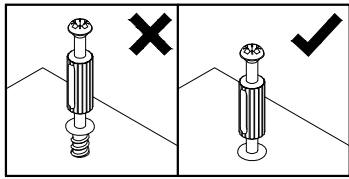
1



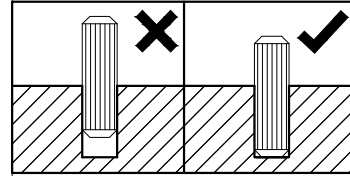
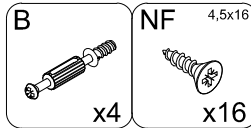
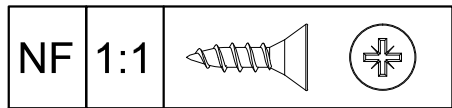
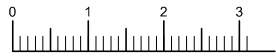
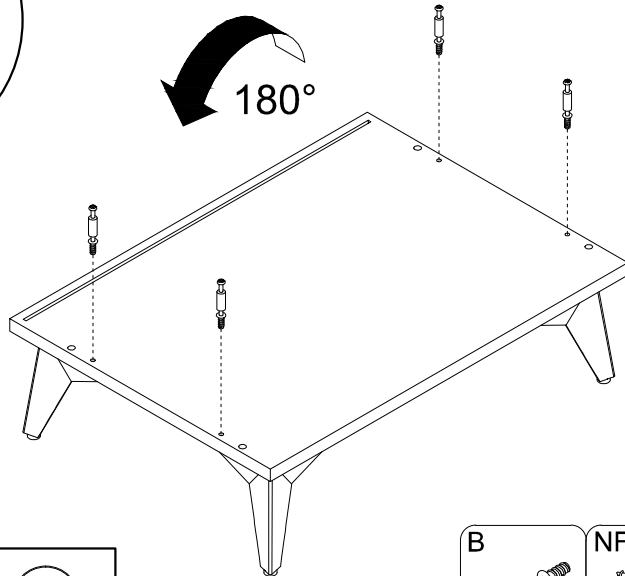
2



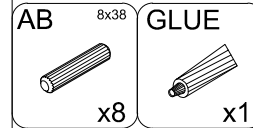
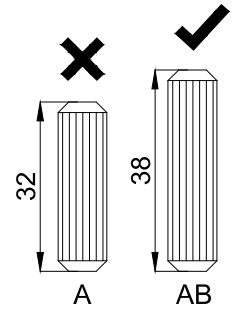
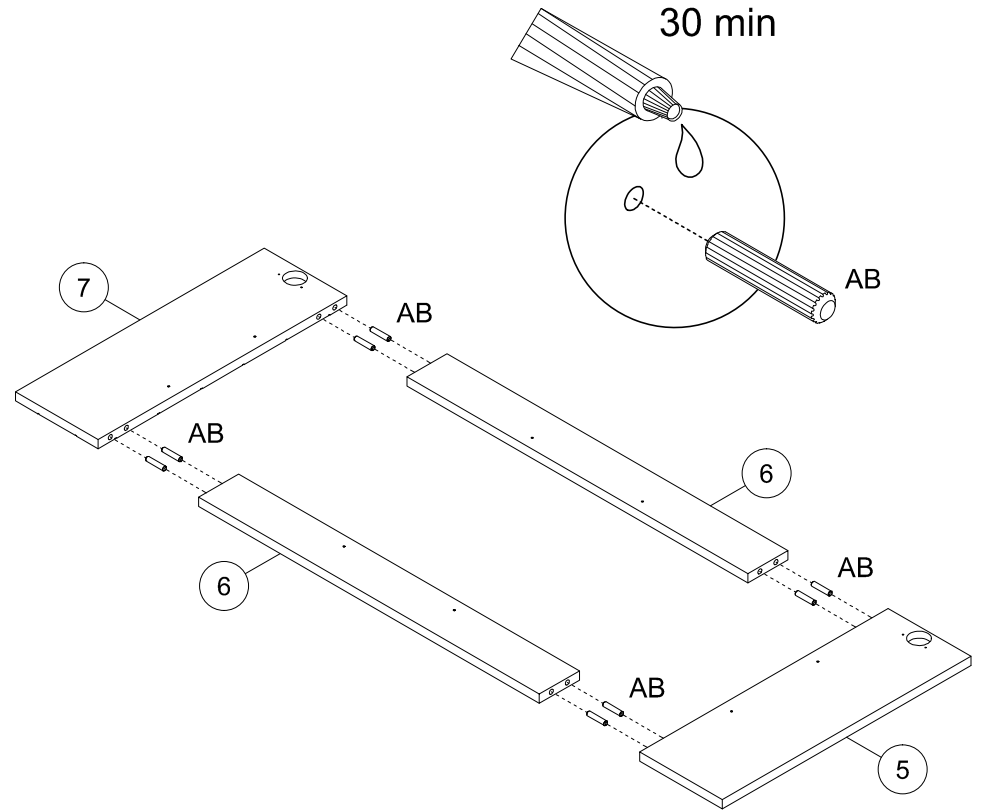
3



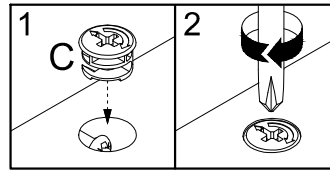
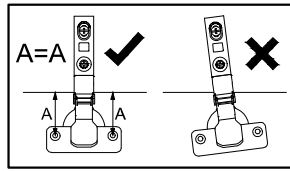
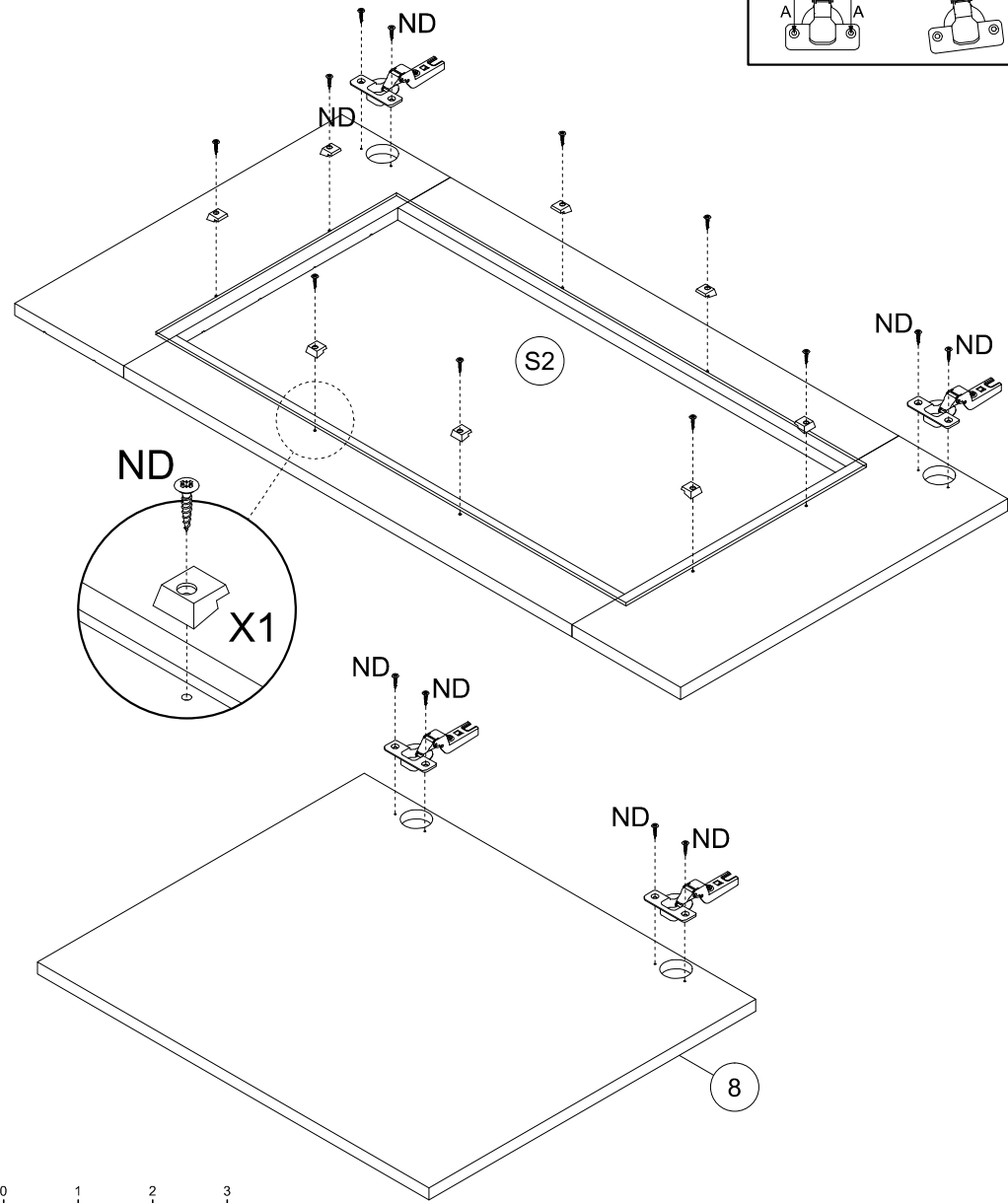
180°



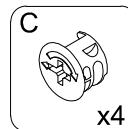
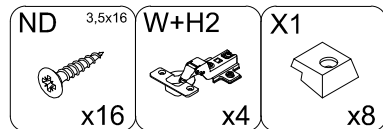
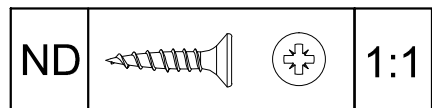
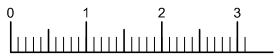
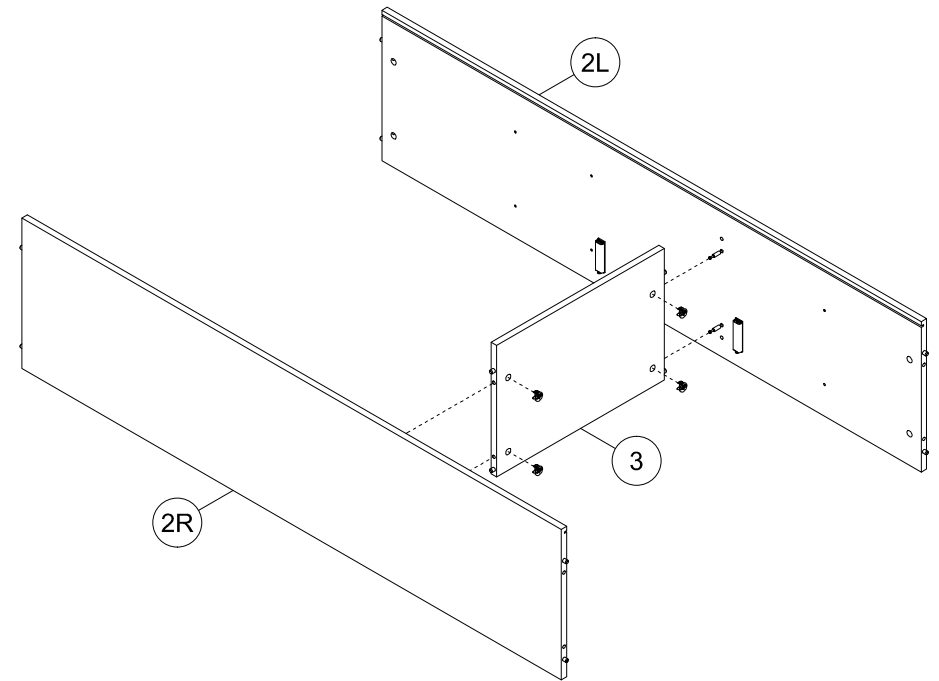
4



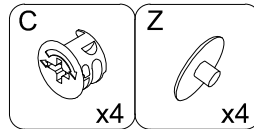
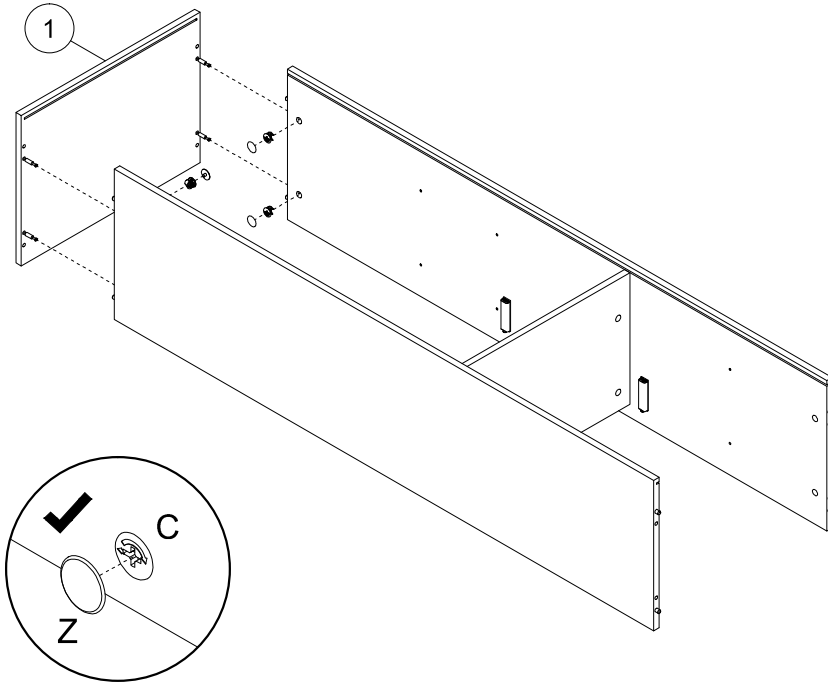
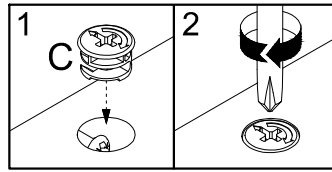
5



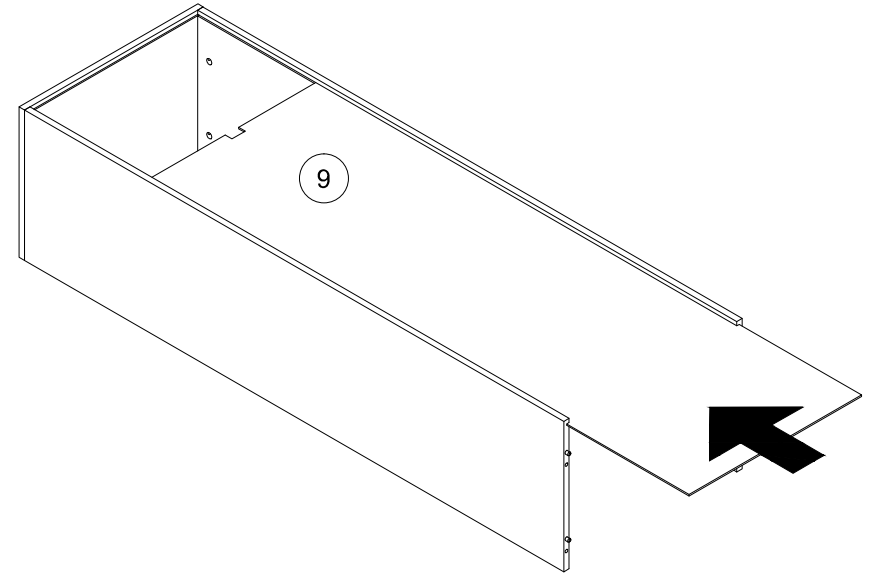
6

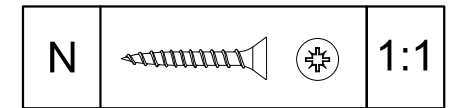
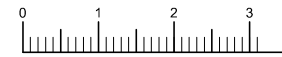
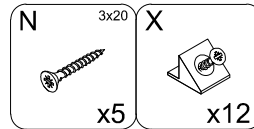
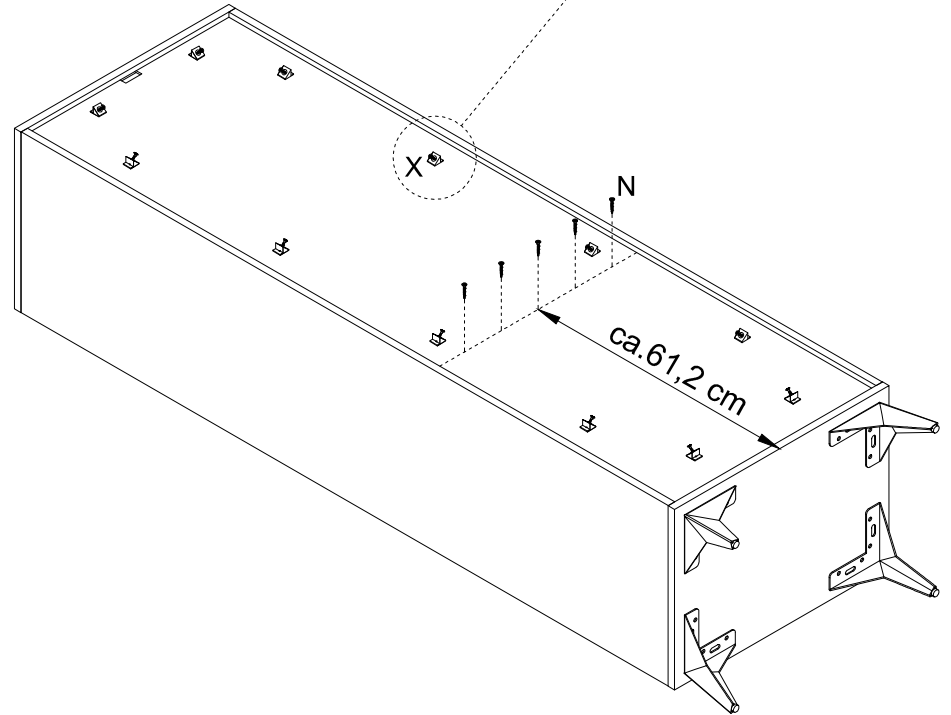
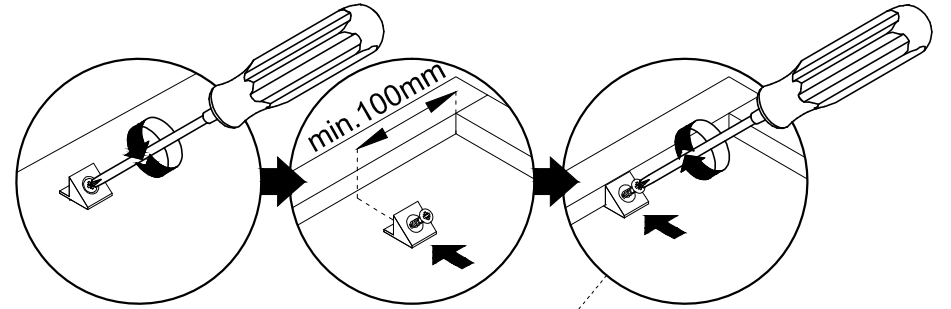
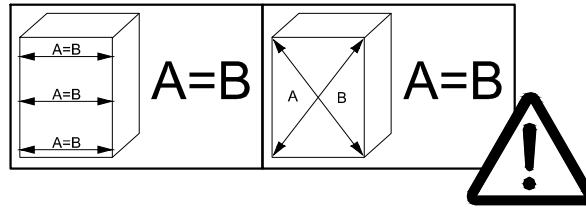
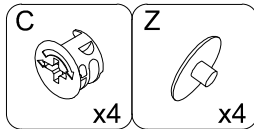
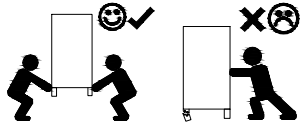
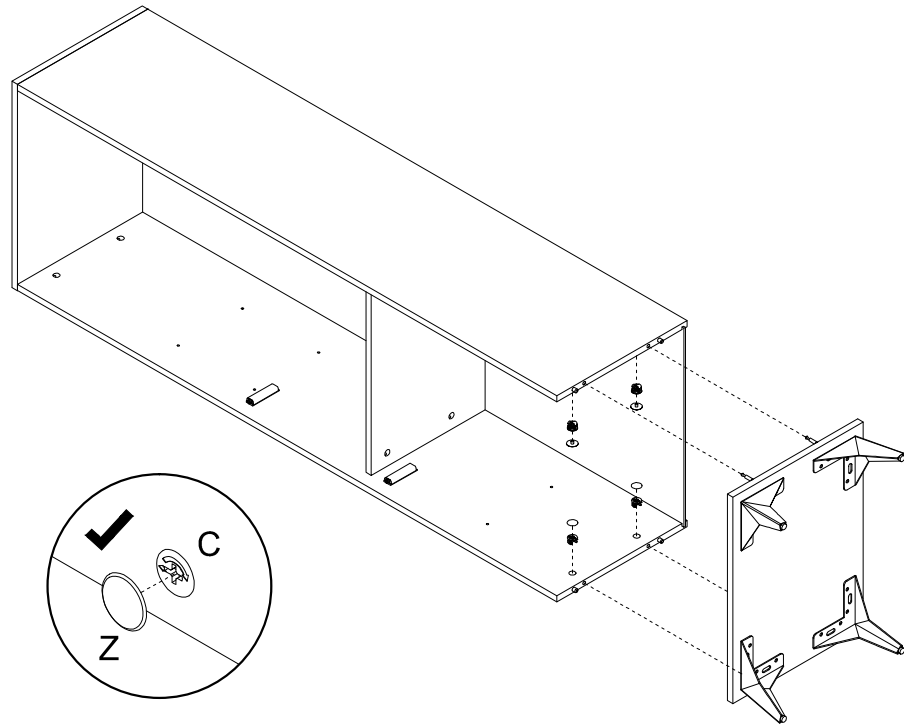
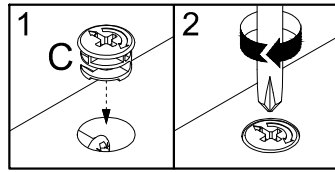


7

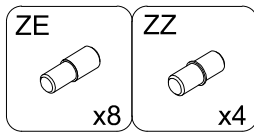
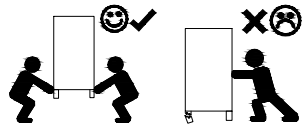
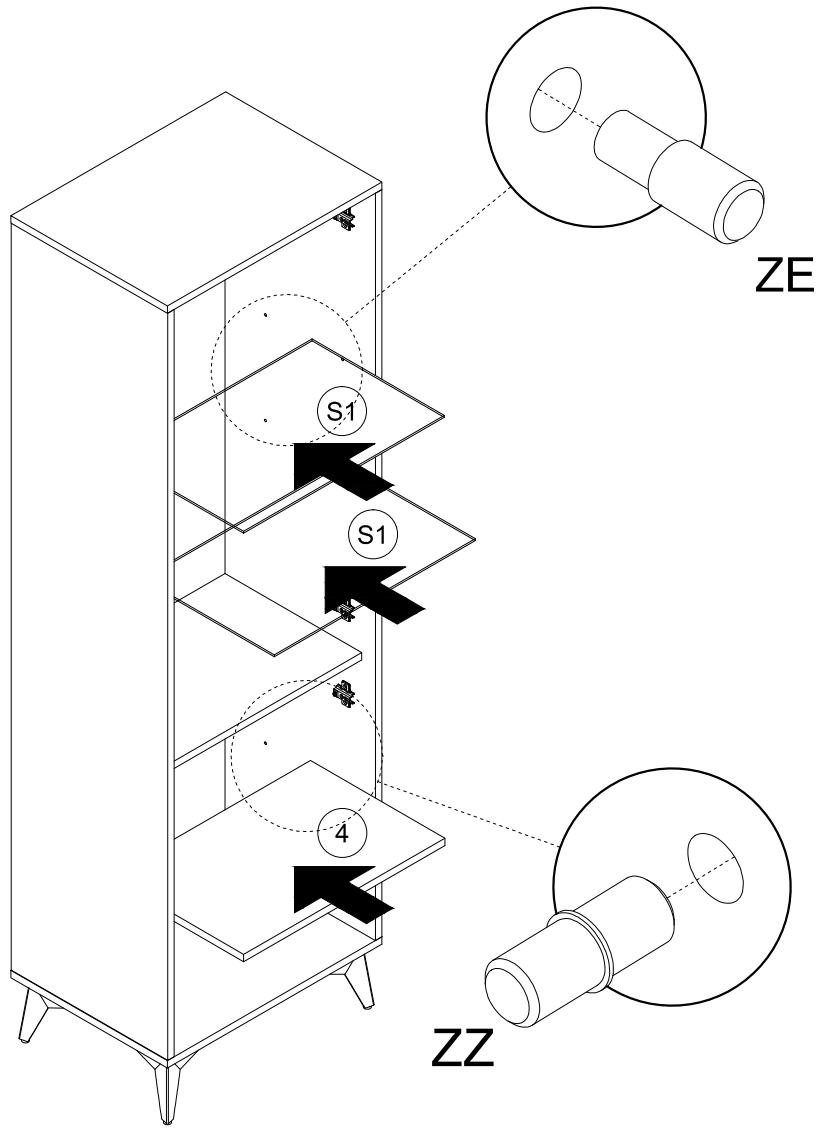


8





11



12

