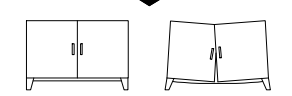
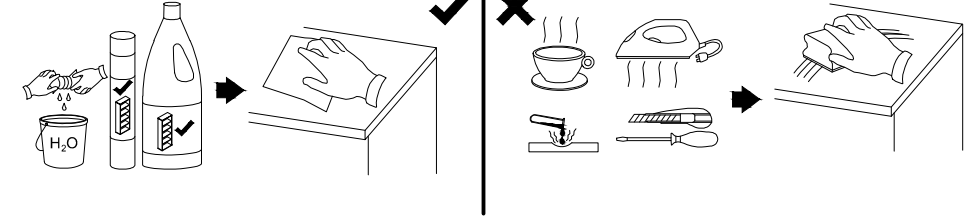
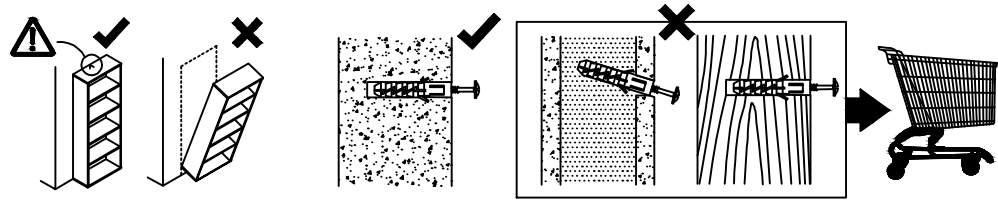
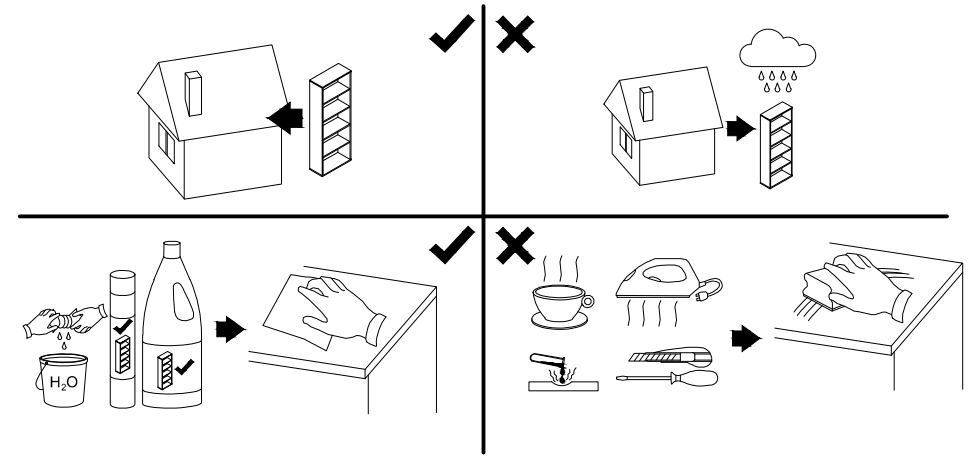
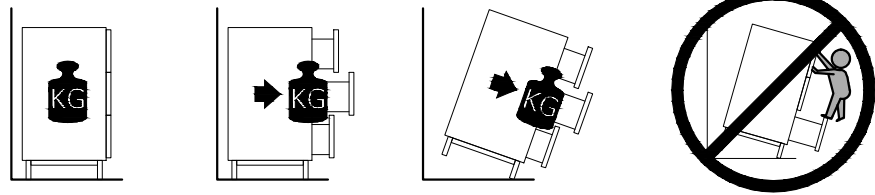


A	8x32	B	x16	C	x16	KG	x2
N	3x20	ND	3,5x16	NS	3,5x13	NF	4,5x16
TA	x1	W+H2	x4	X	x14	Z	x16

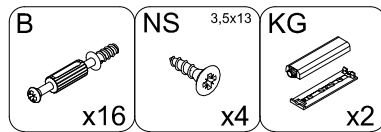
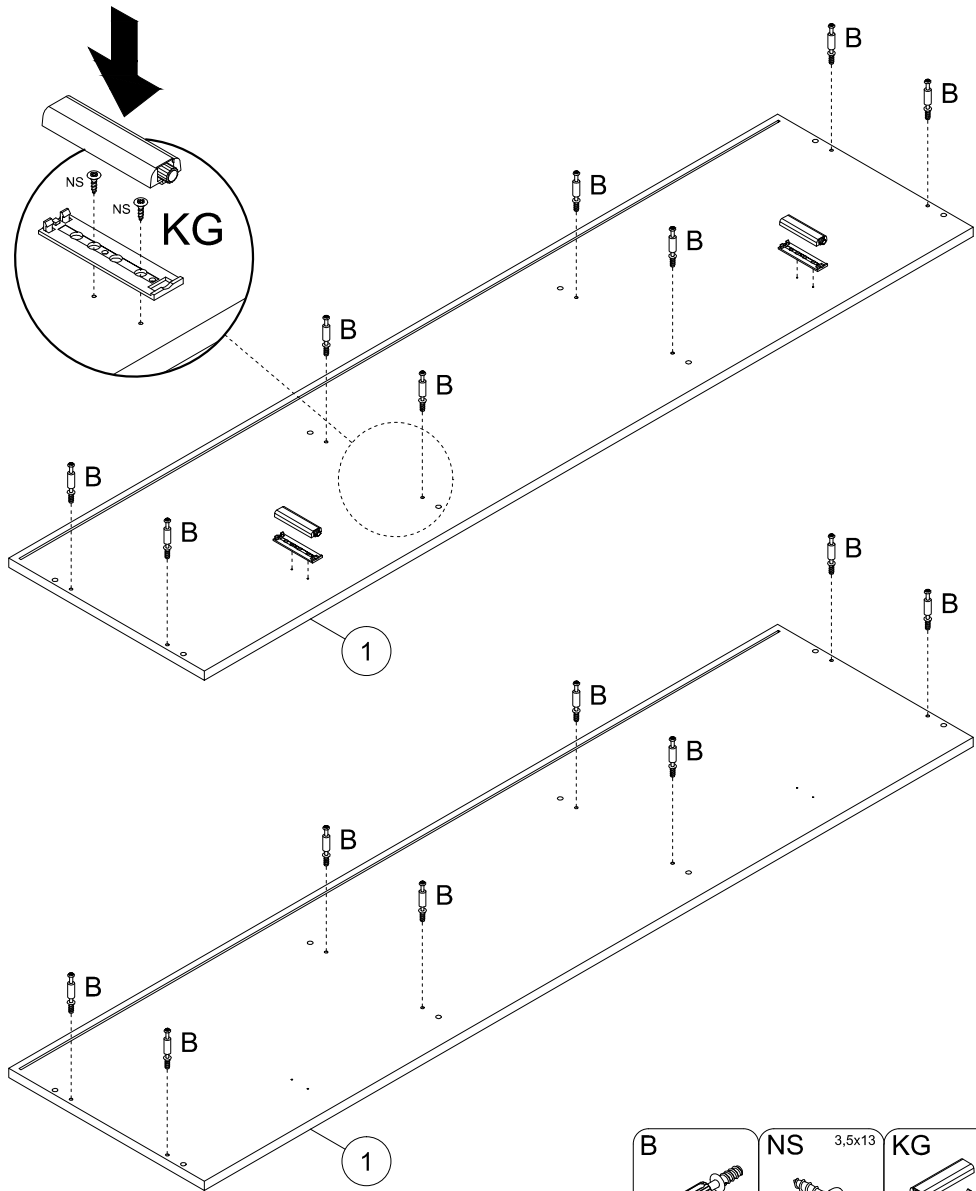
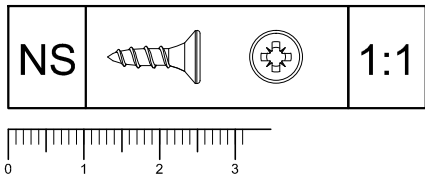
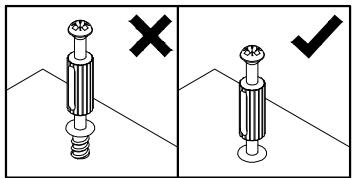
max. KG = 25 kg.



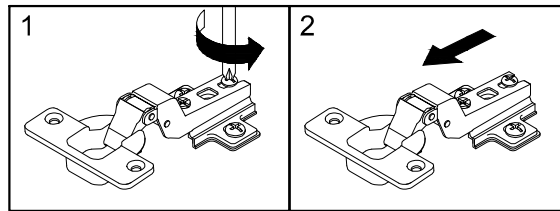
1	1534	390	16	x2	2 / 2
2	330	390	16	x2	2 / 2
3	330	341	16	x2	2 / 2
4	483	341	16	x1	2 / 2
5	496	324	16	x1	2 / 2
5A	496	324	16	x1	2 / 2
6	1513	342	3	x1	2 / 2



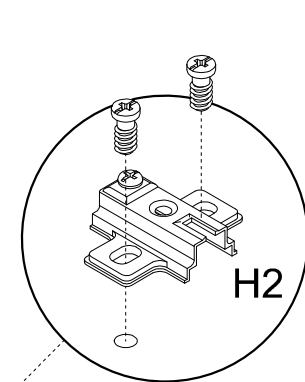
1



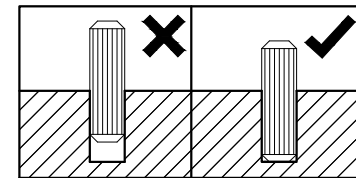
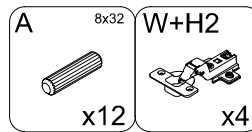
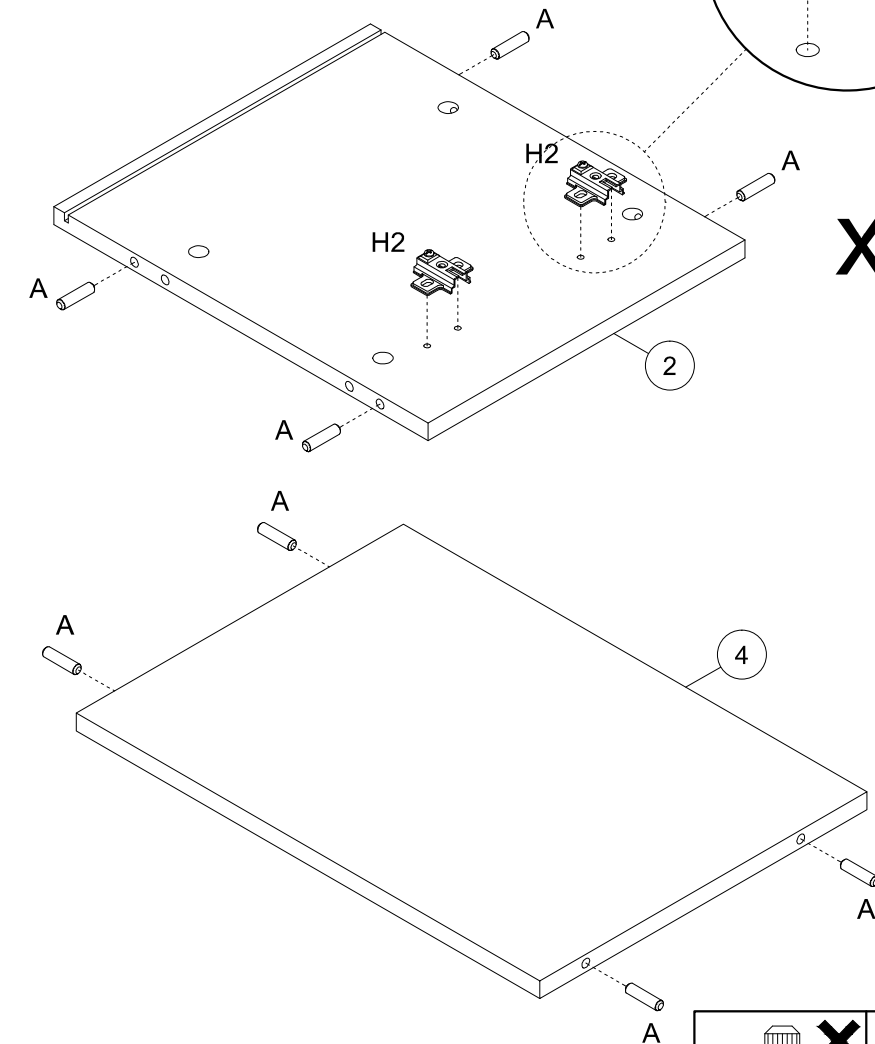
1



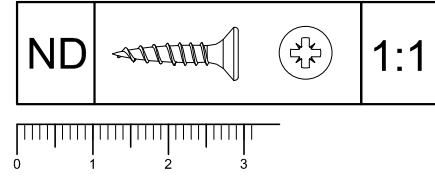
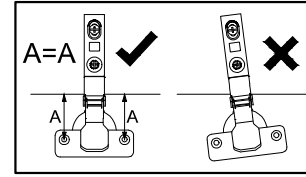
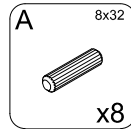
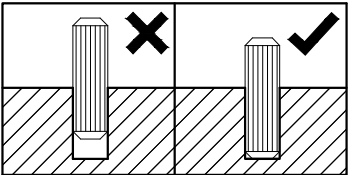
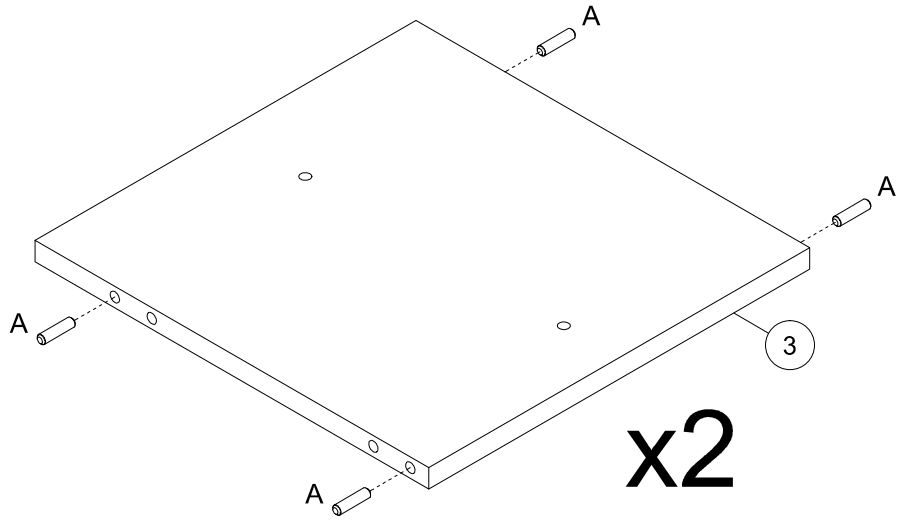
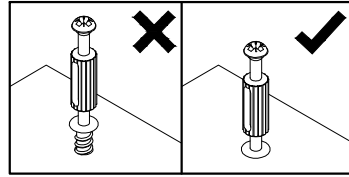
2



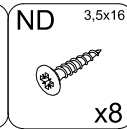
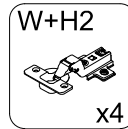
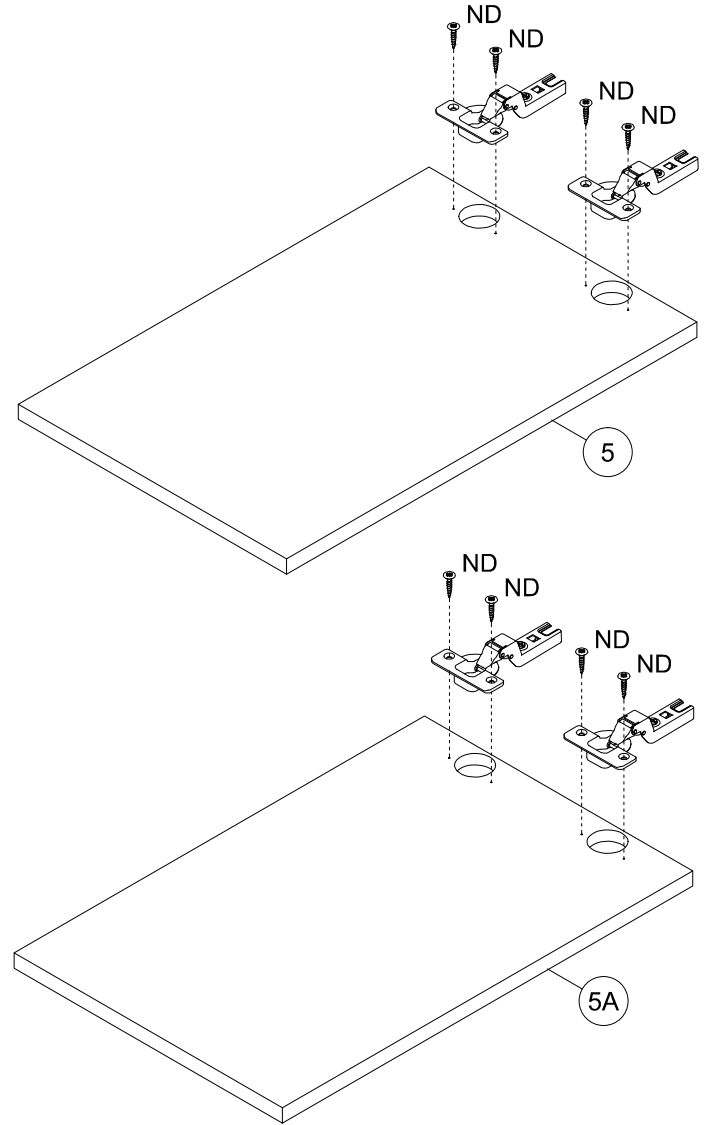
2



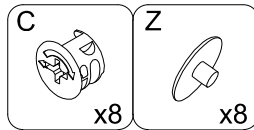
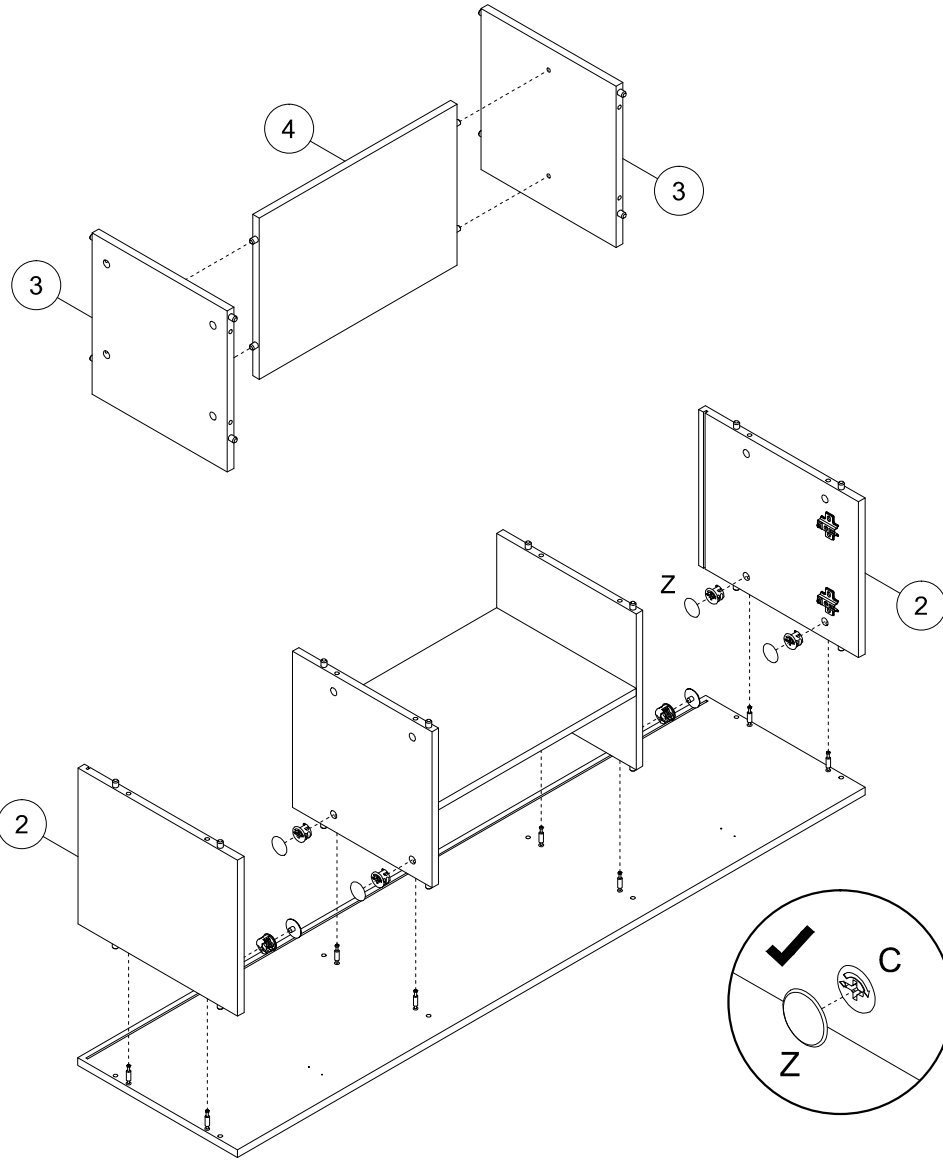
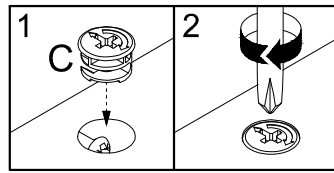
3



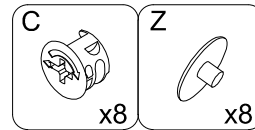
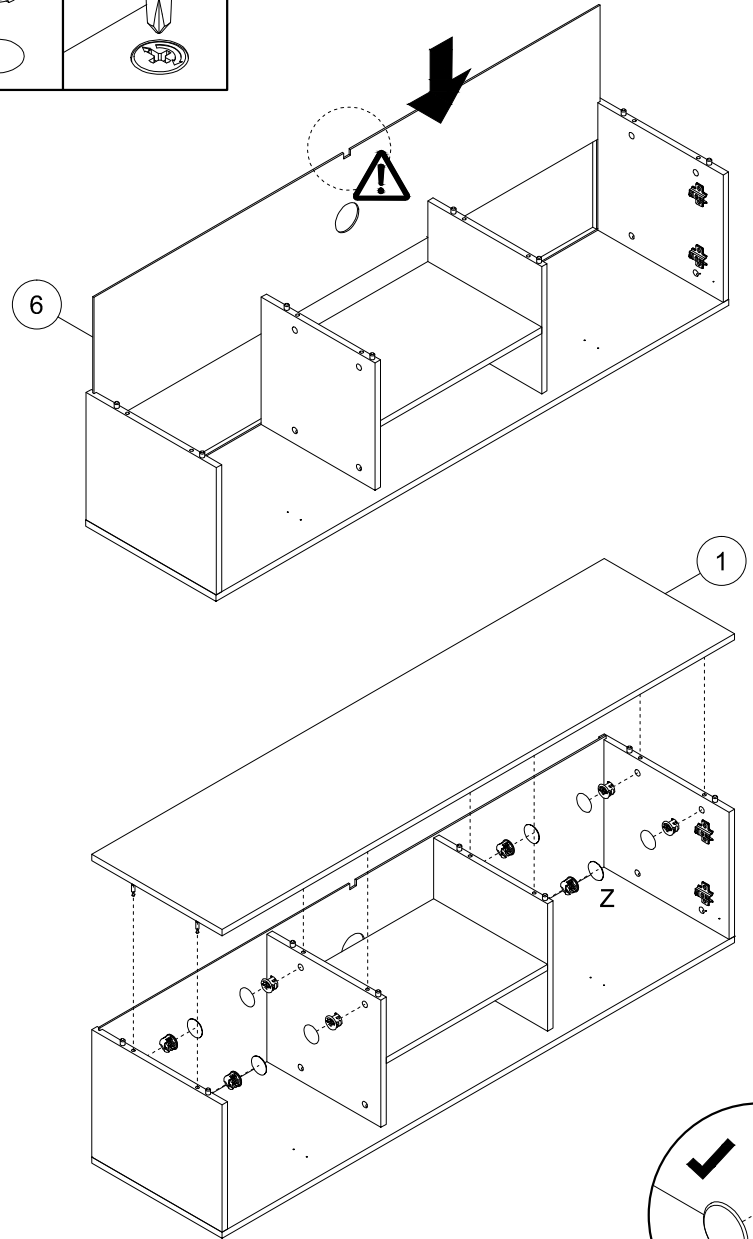
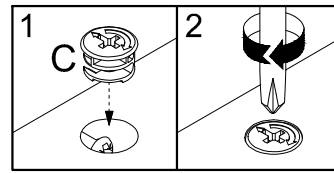
4



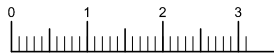
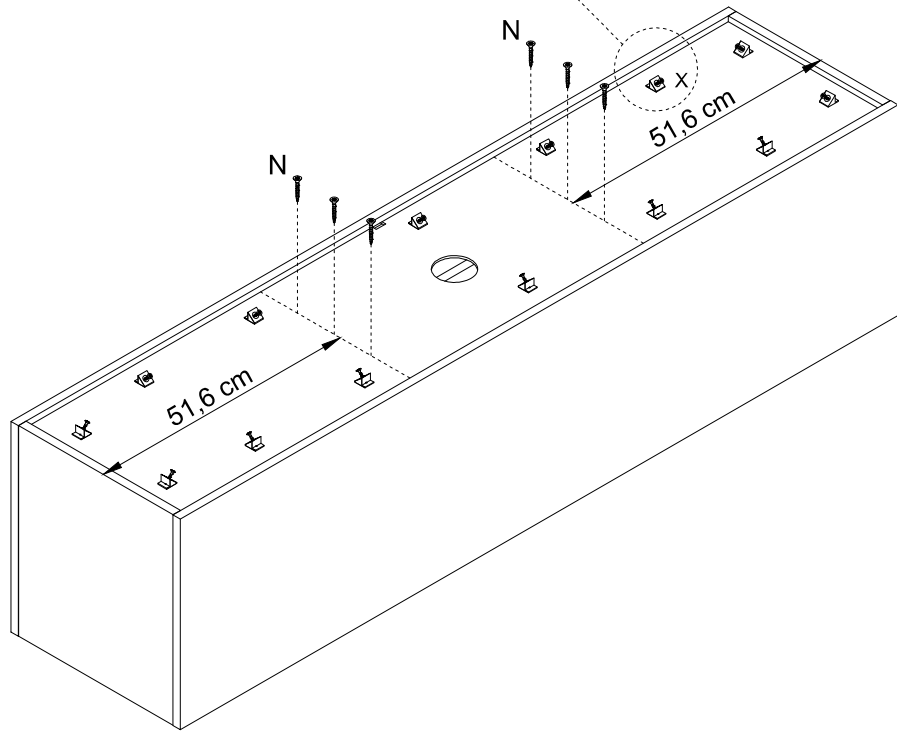
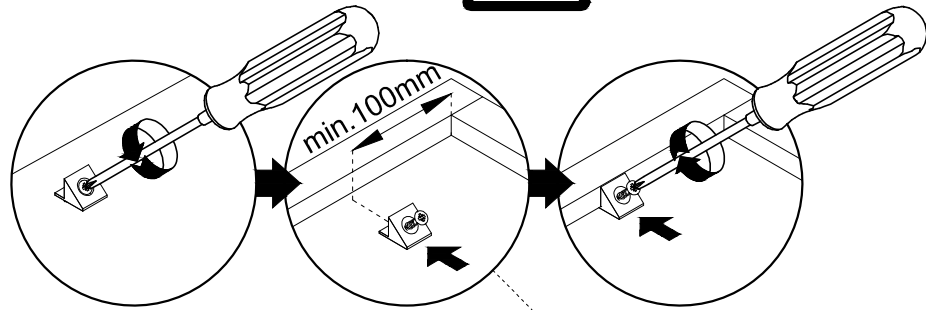
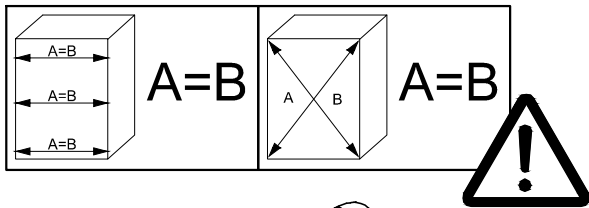
5



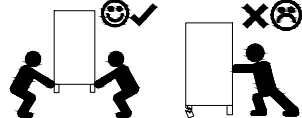
6



7

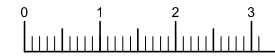
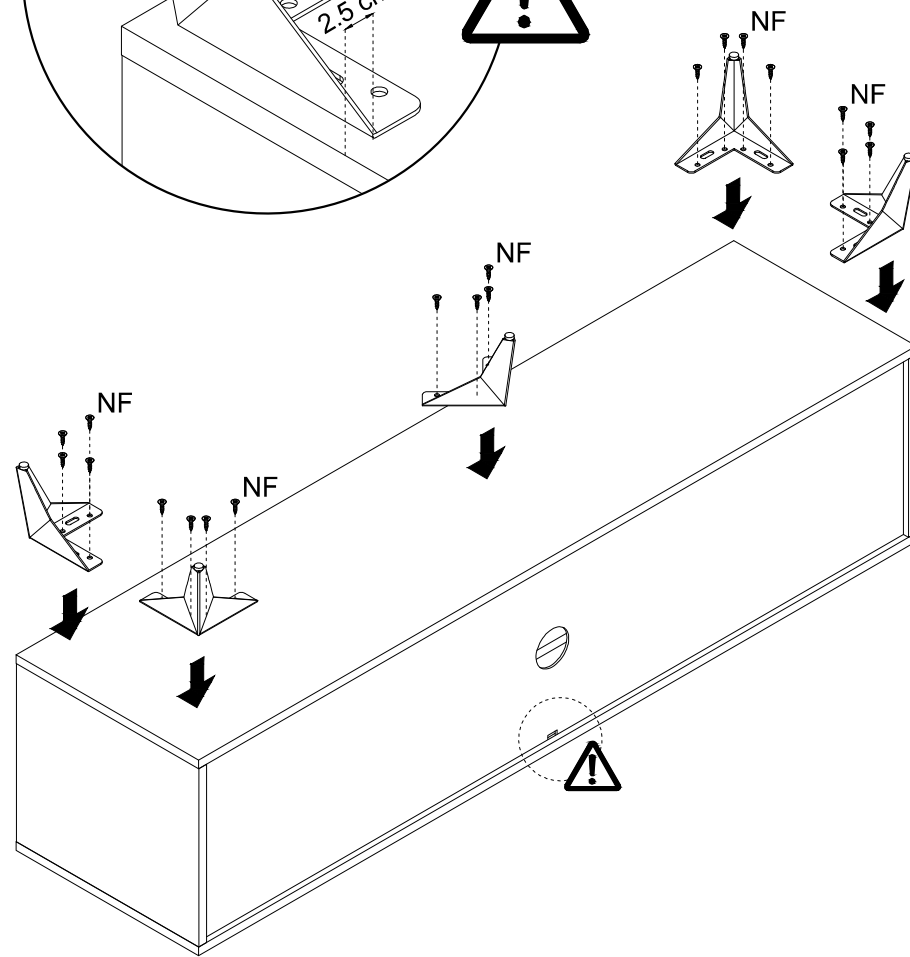
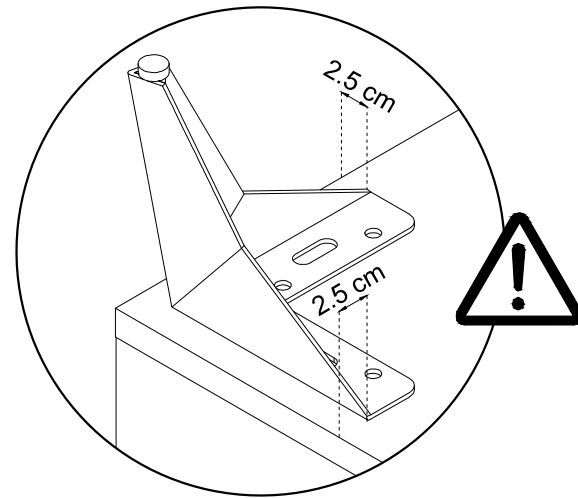


N			1:1
---	--	--	-----



N	3x20	X	
	x6		x14

8



NF	1:1		
----	-----	--	--

NF	4,5x16
	x20

