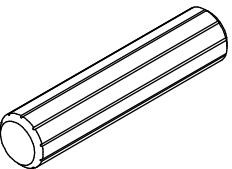
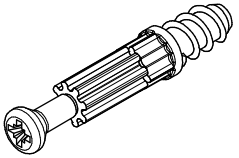
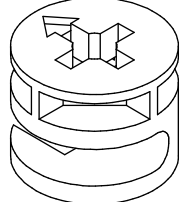
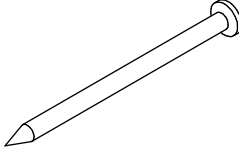
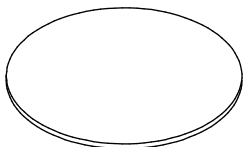
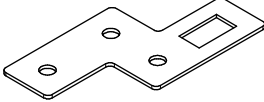
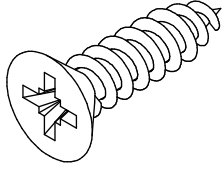
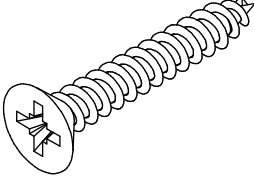

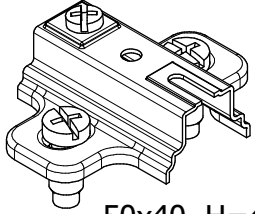
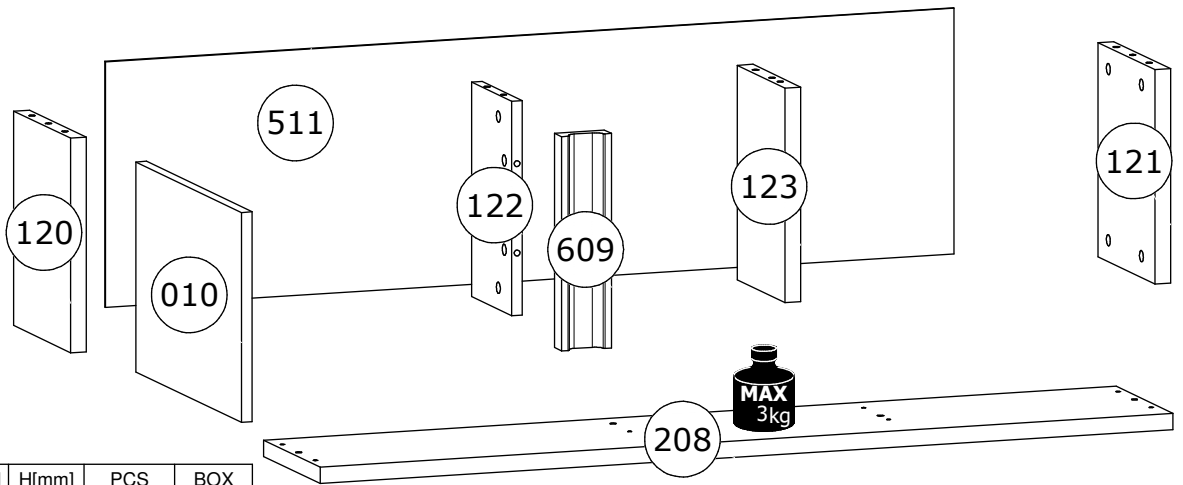
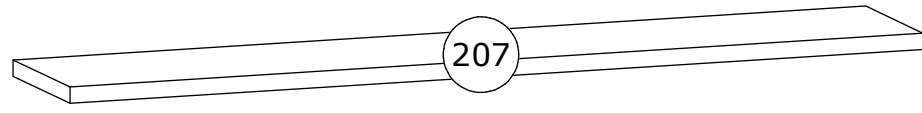
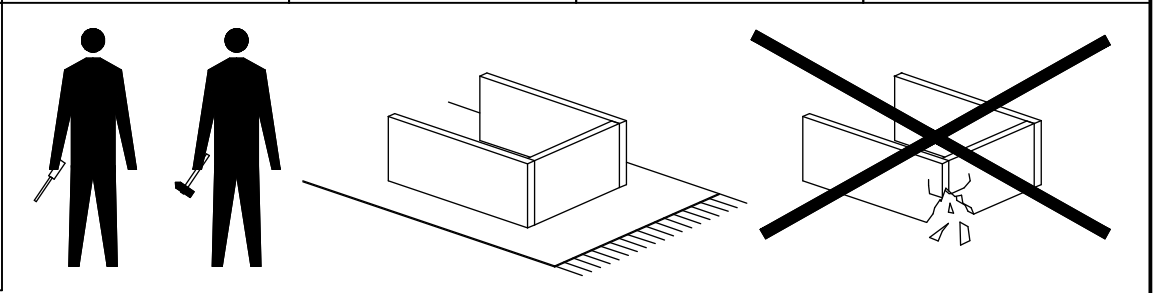
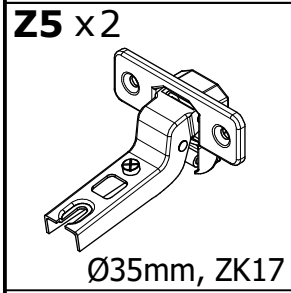
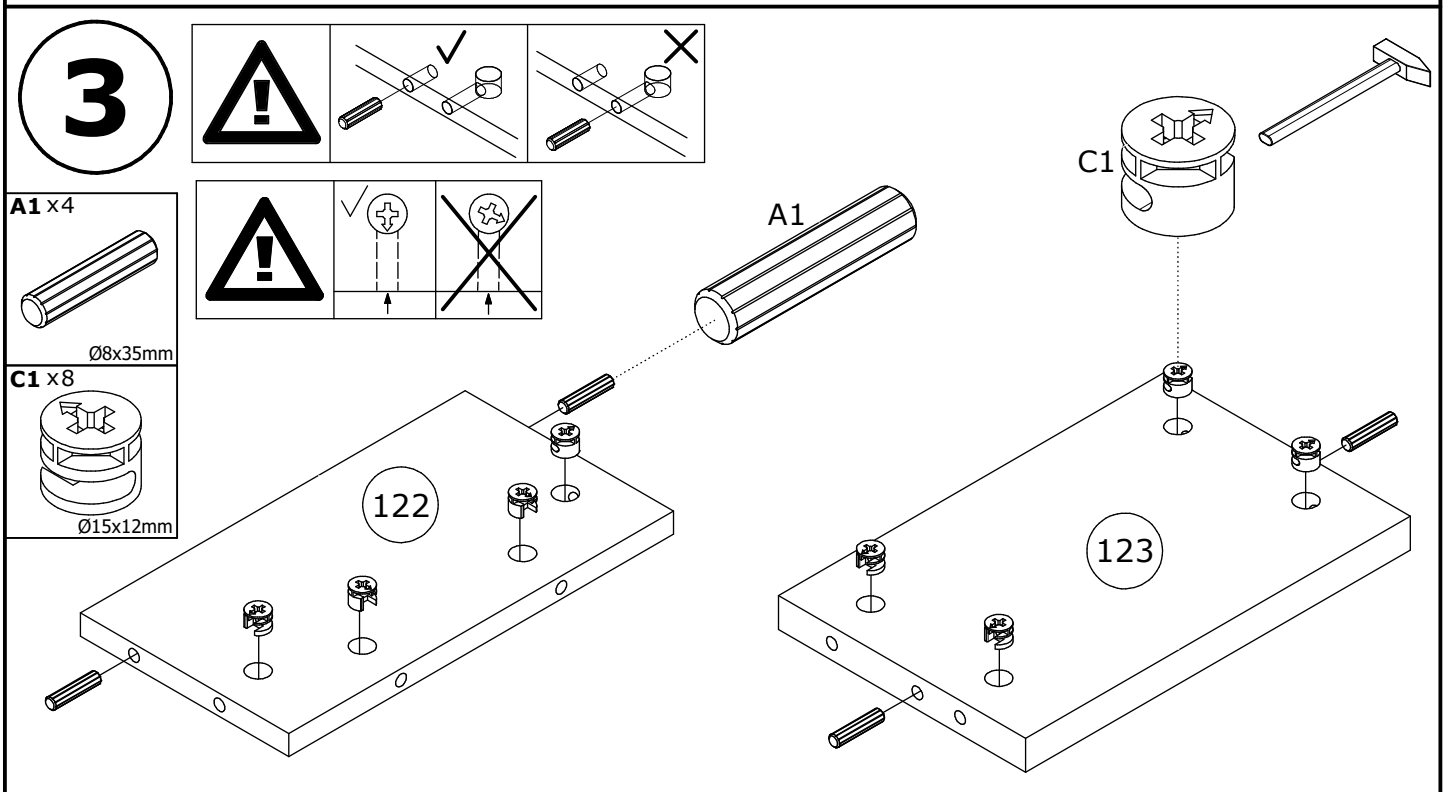
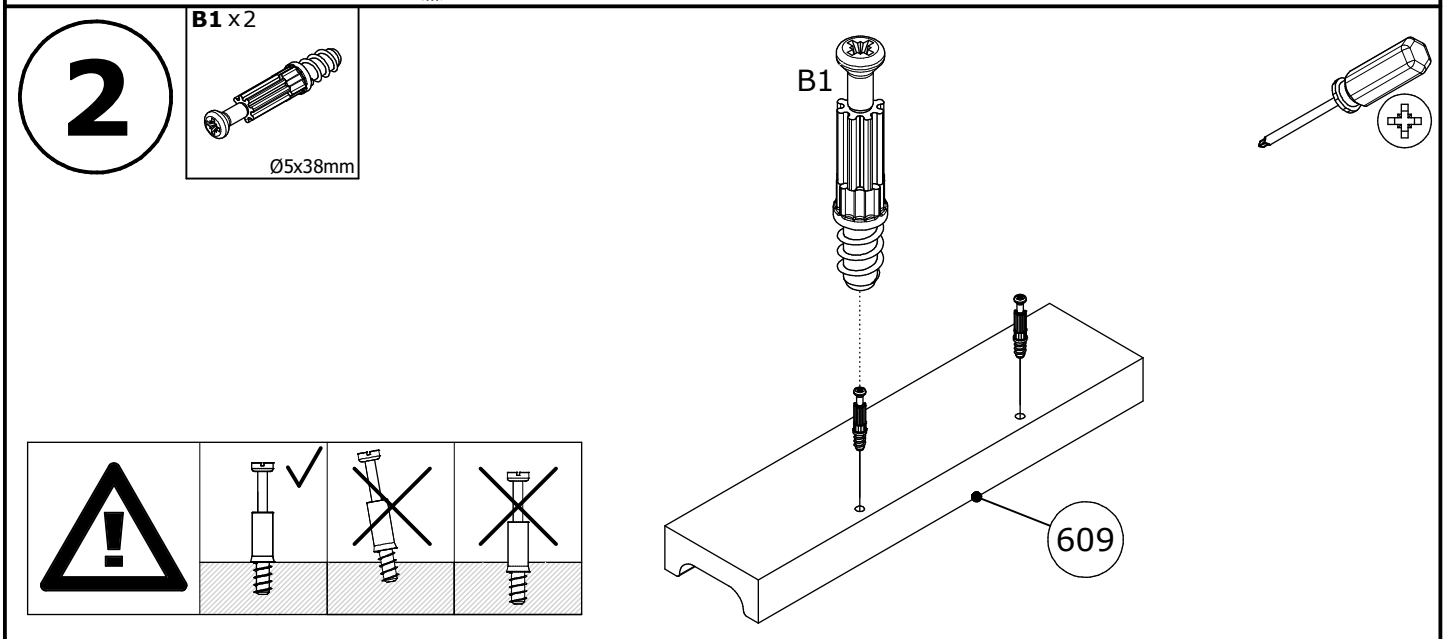
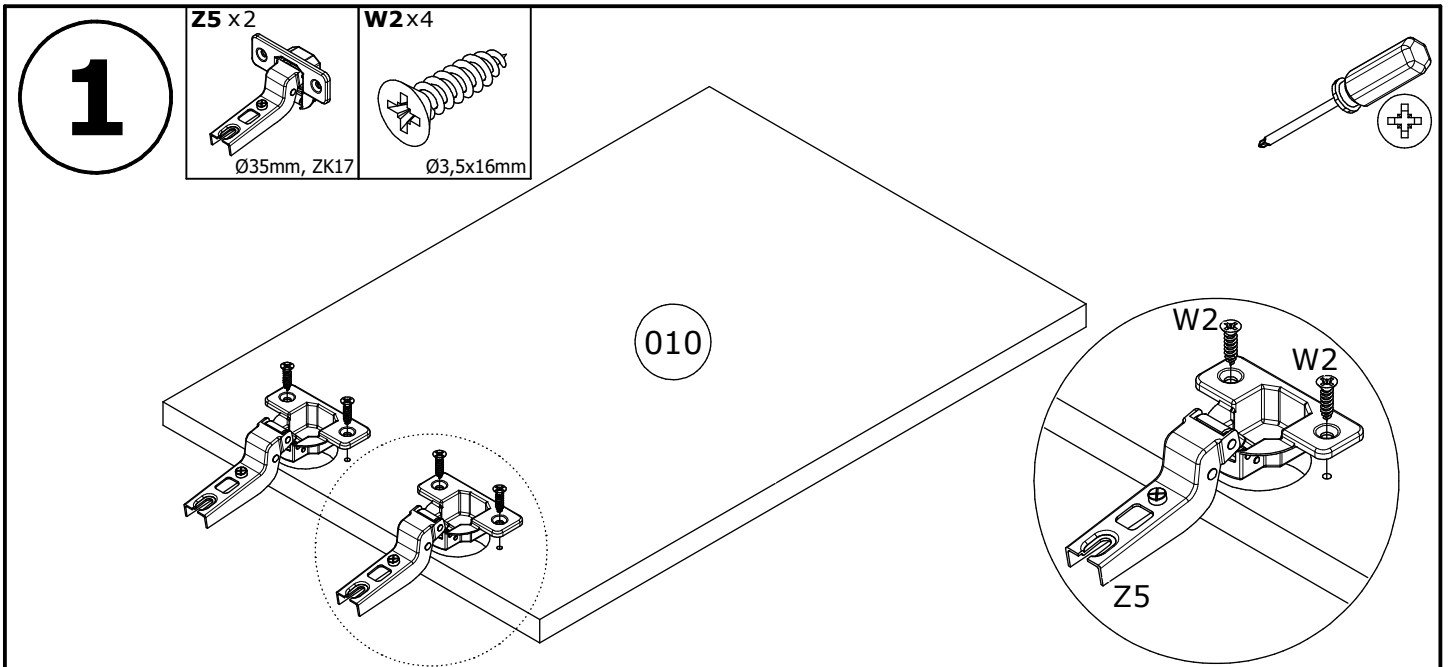


A1 x8  $\varnothing 8 \times 35 \text{ mm}$	B1 x16  $\varnothing 5 \times 38 \text{ mm}$	C1 x16  $\varnothing 15 \times 12 \text{ mm}$	G1 x24  26mm	J1 x16  $\varnothing 21 \text{ mm}$
T5 x2  60x32x1 mm	W2 x4  $\varnothing 3,5 \times 16 \text{ mm}$	W8 x6  $\varnothing 3 \times 25 \text{ mm}$	Y1 x2  $\varnothing 8 \times 1,5 \text{ mm}$	Z2 x2  50x40, H=4

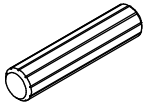


No	L[mm]	W[mm]	H[mm]	PCS	BOX
010	409	282	15	1	1/1
120	288	220	22	1	1/1
121	288	220	22	1	1/1
122	288	156	15	1	1/1
123	288	185	22	1	1/1
207	1201	220	22	1	1/1
208	1201	220	22	1	1/1
511	1195	330	2,5	1	1/1
609	288	70	28	1	1/1



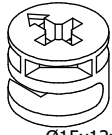
4

A1 x4



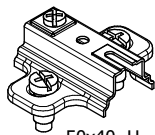
Ø8x35mm

C1 x8

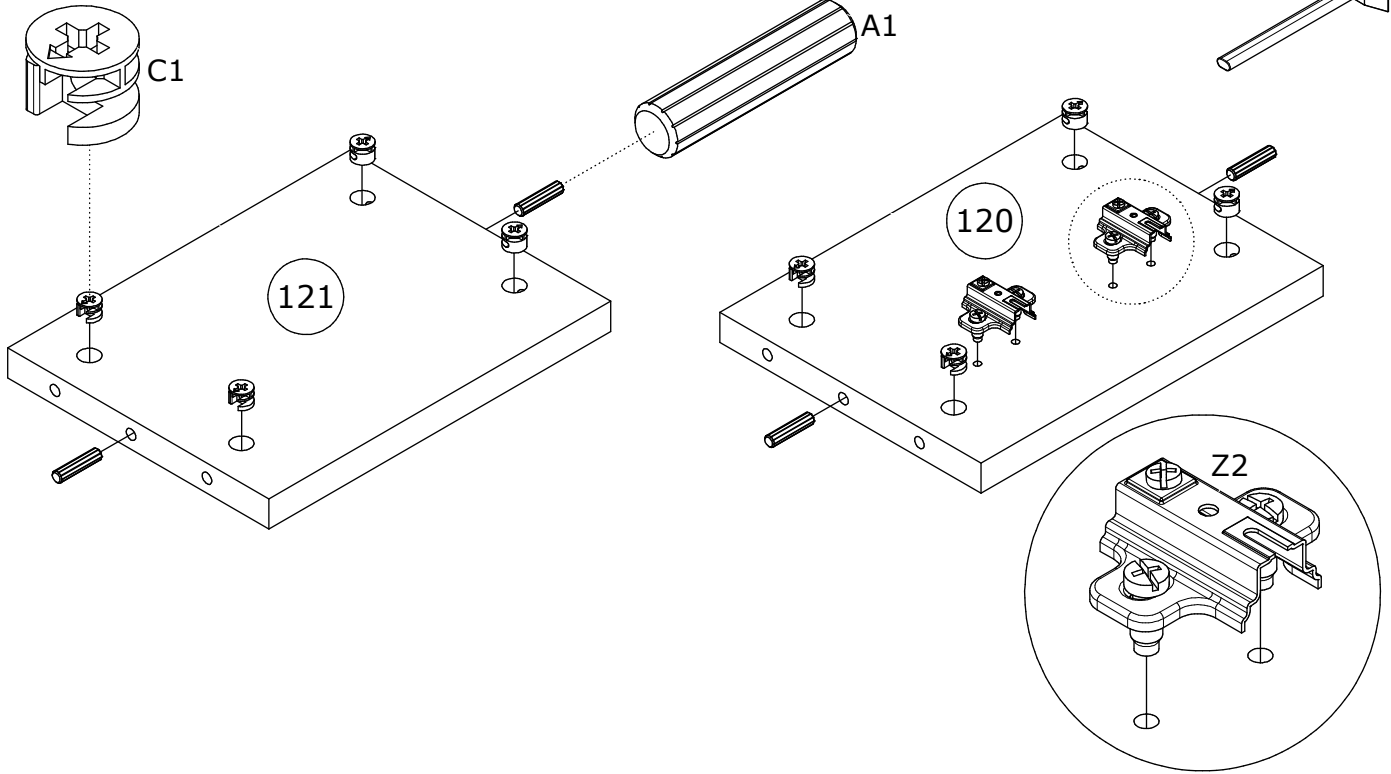
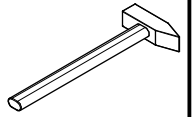
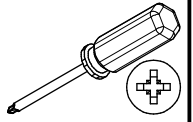


Ø15x12mm

Z2 x2

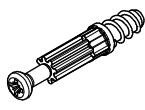


50x40, H=4

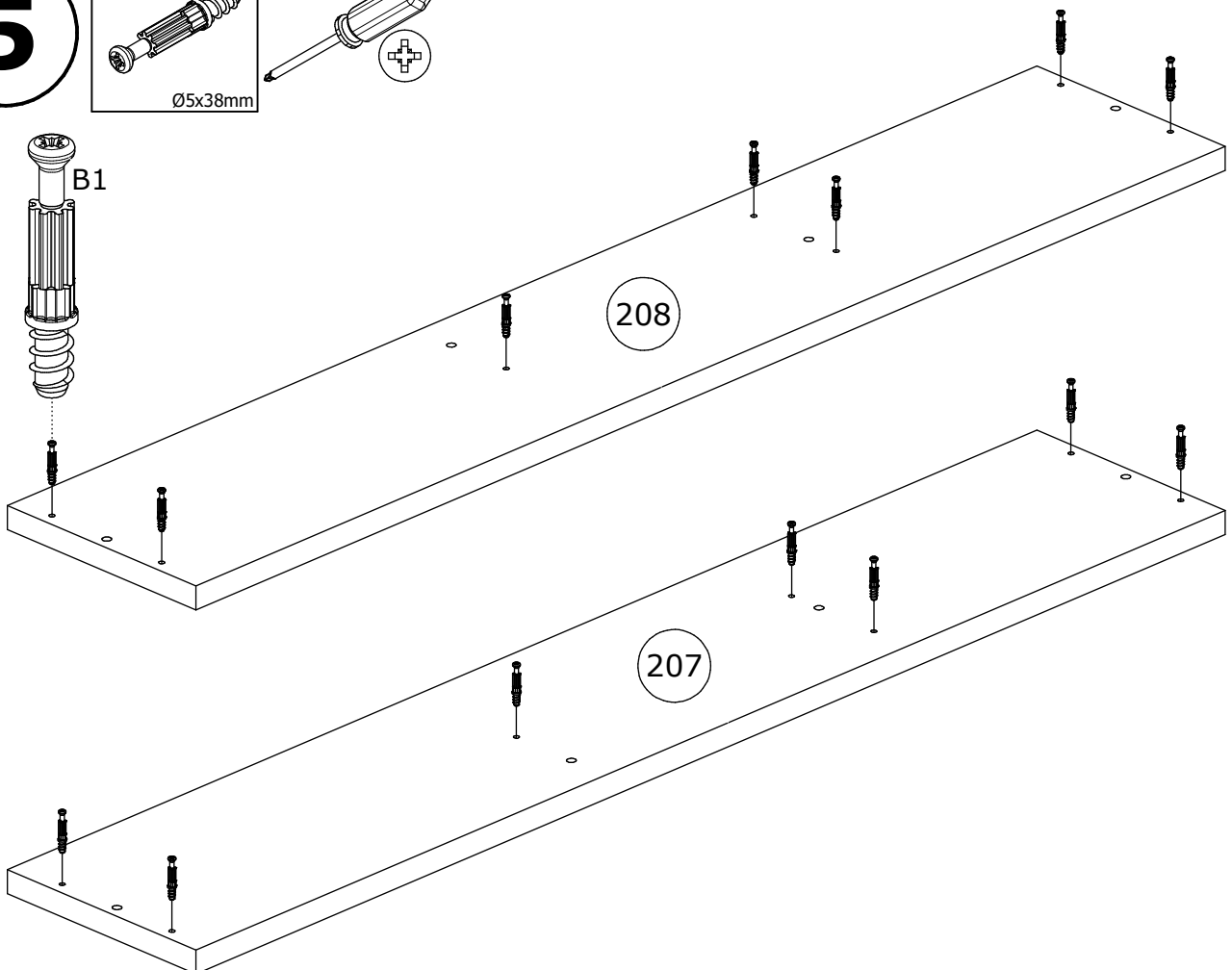
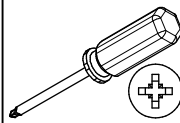


5

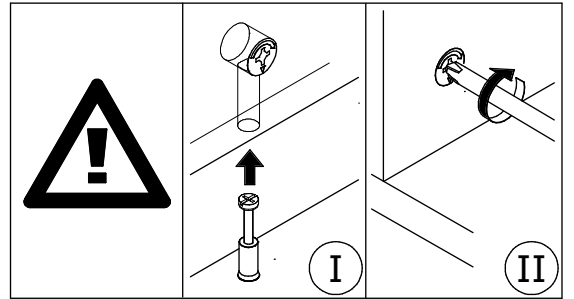
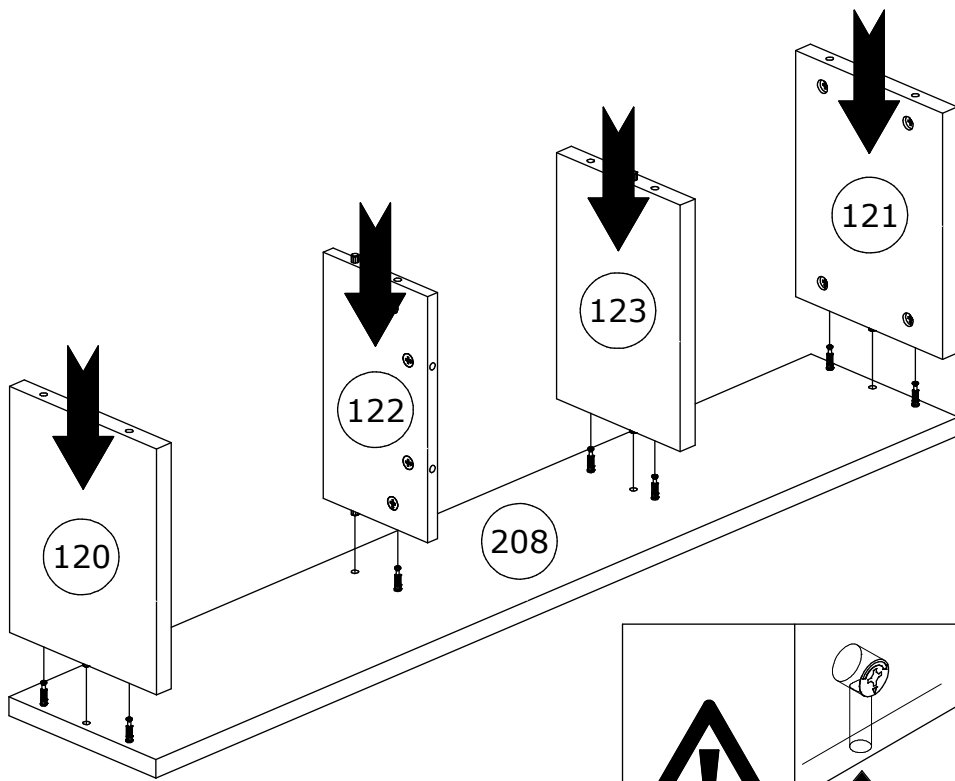
B1 x14



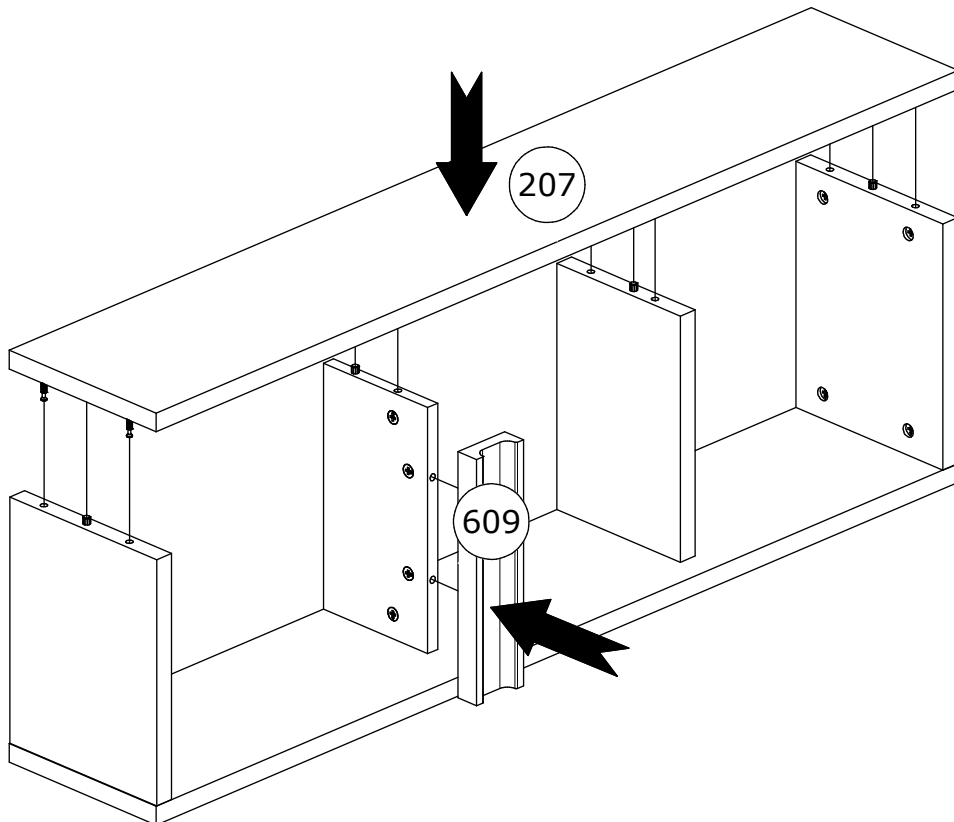
Ø5x38mm



6

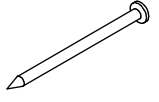


7



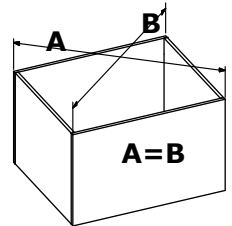
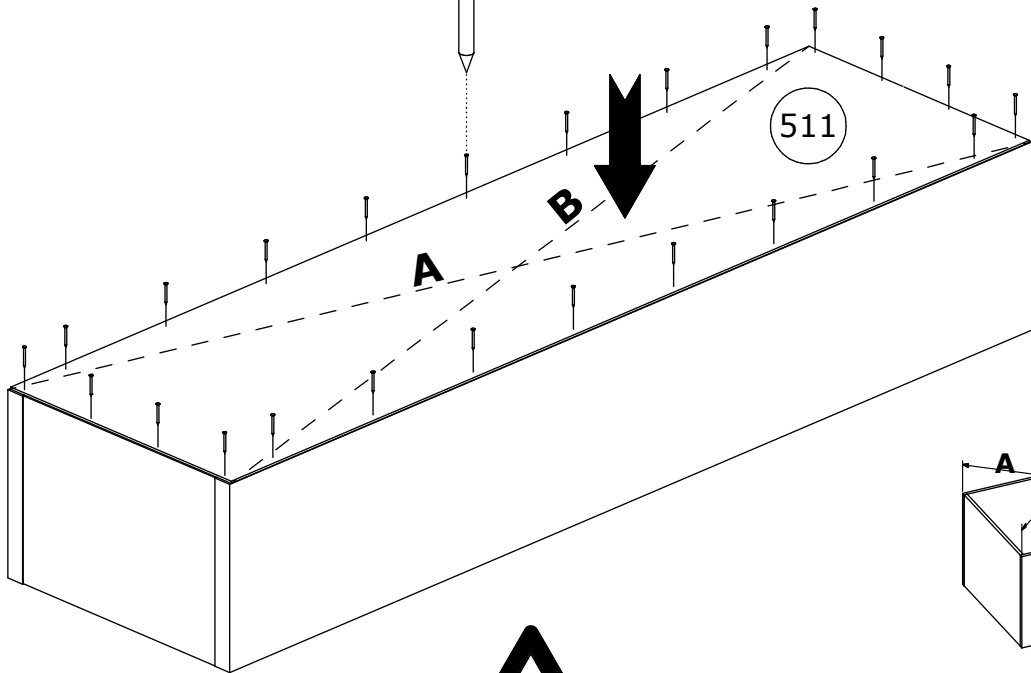
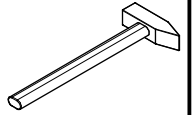
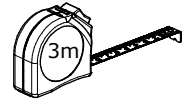
8

G1x24

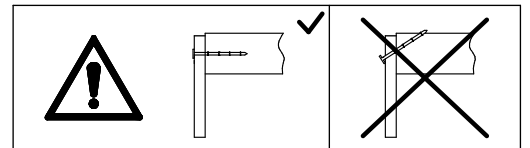


26mm

G1

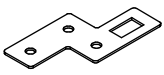


$A=B \equiv 90^\circ$



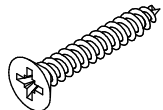
9

T5x2

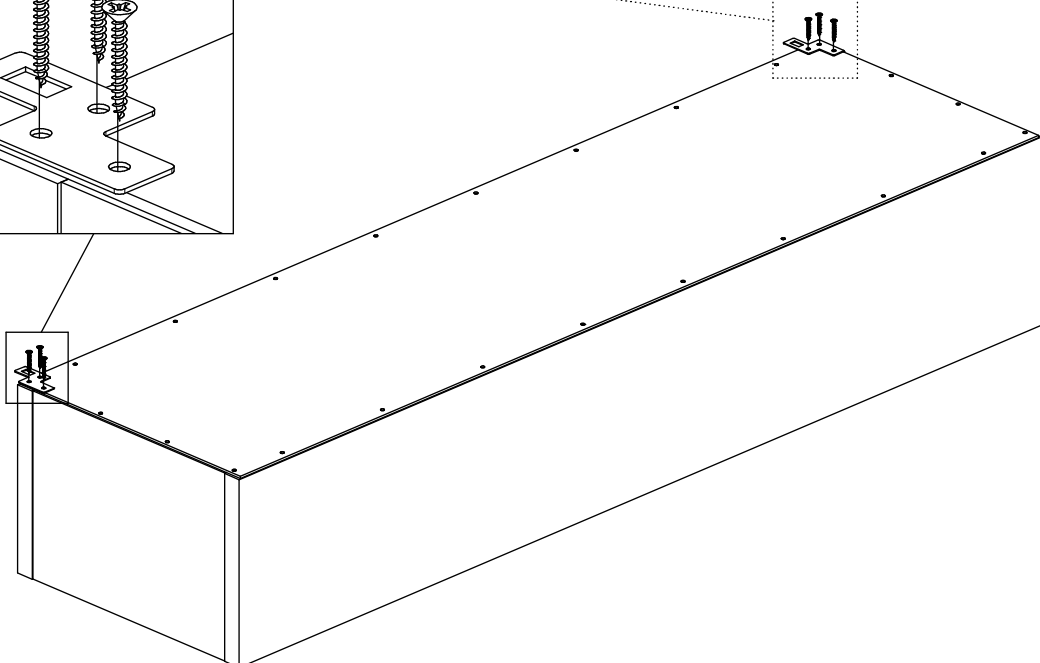
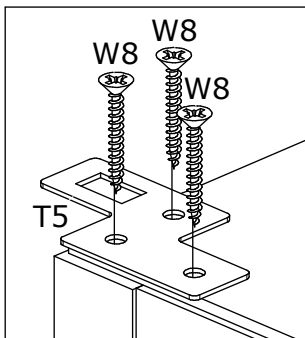
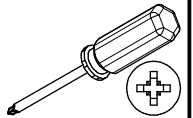


60x32x1 mm

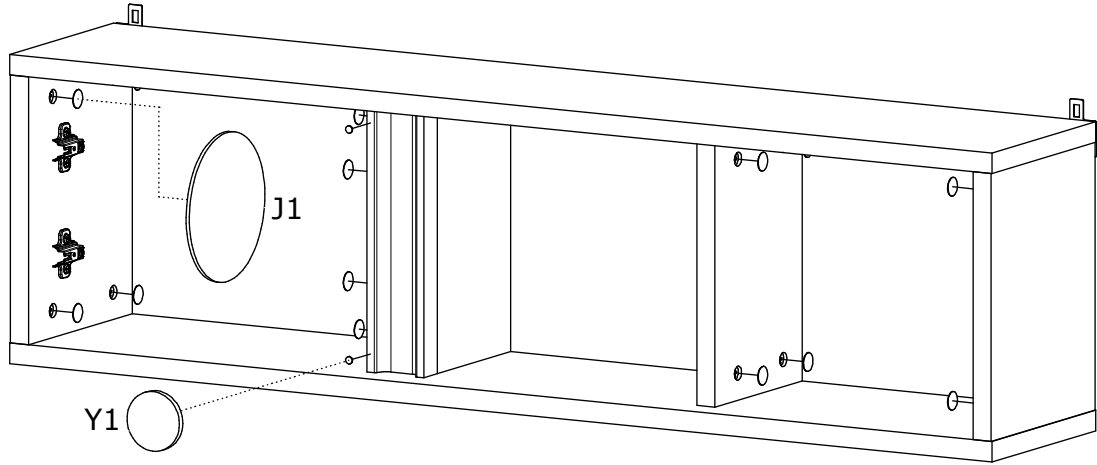
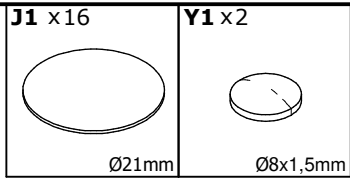
W8x6



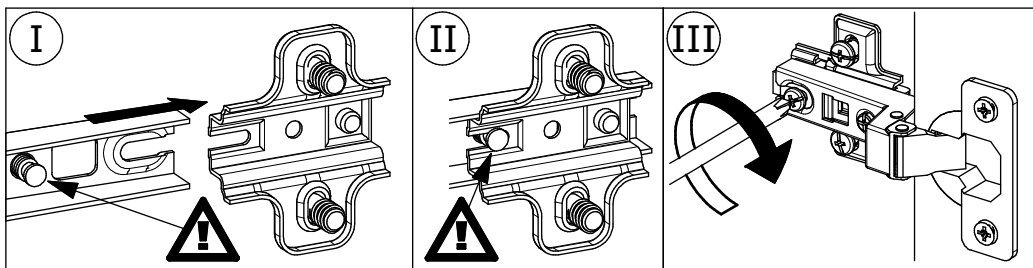
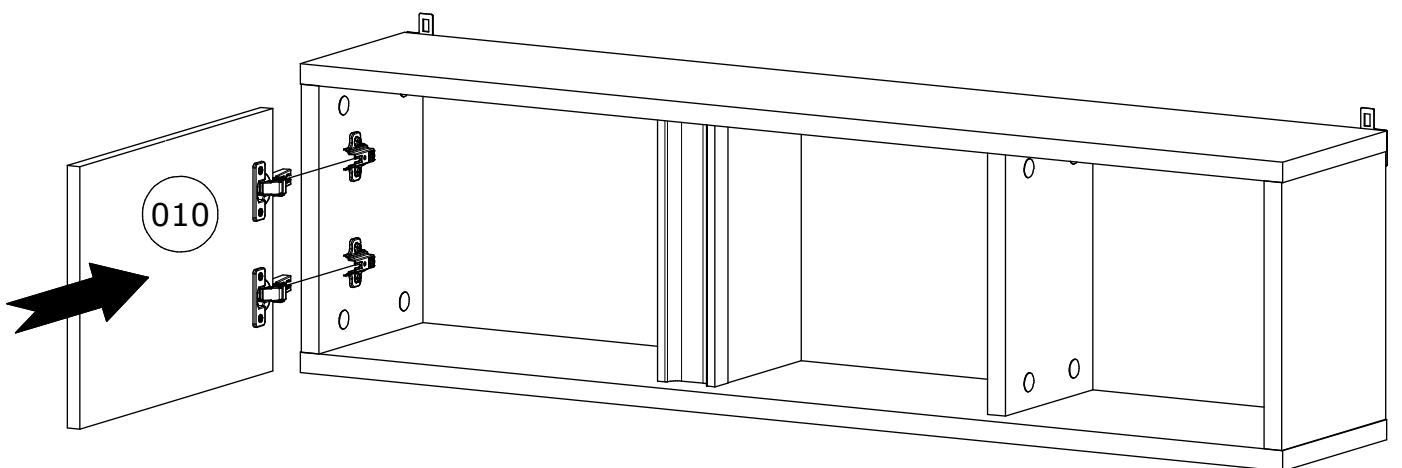
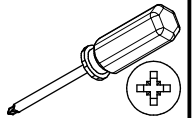
Ø3x25mm



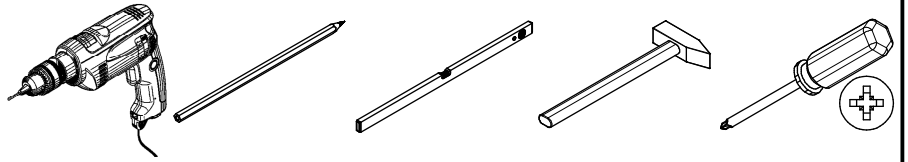
10



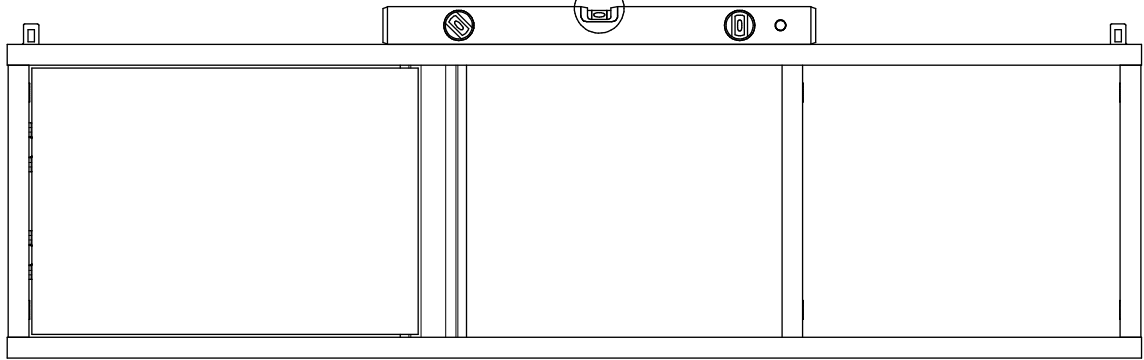
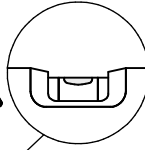
11



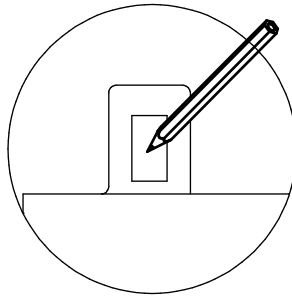
12



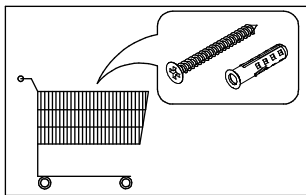
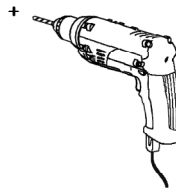
I



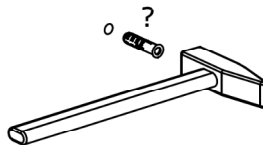
II



III



IV



V

