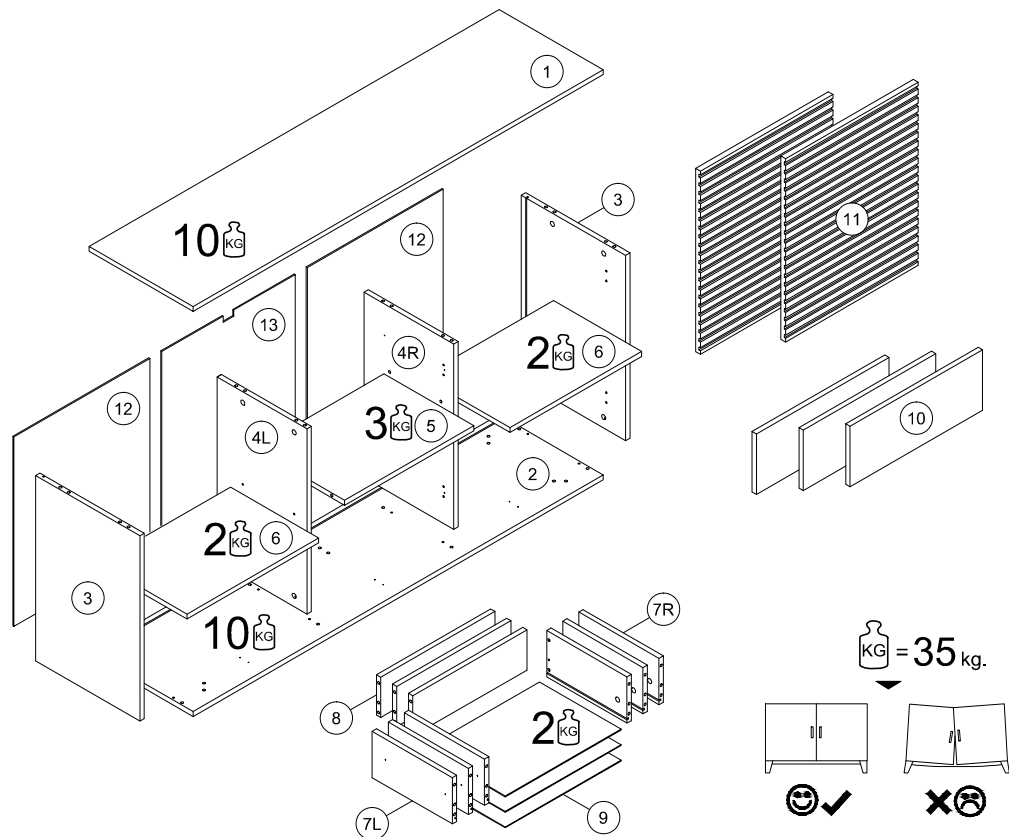
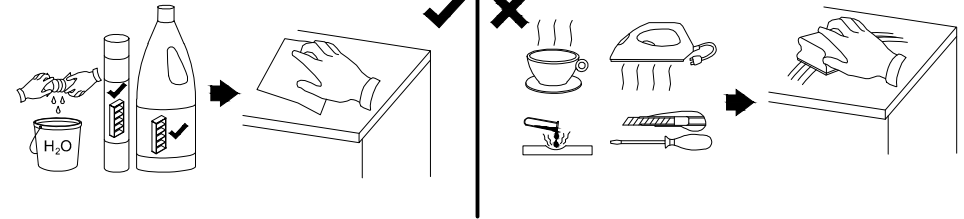
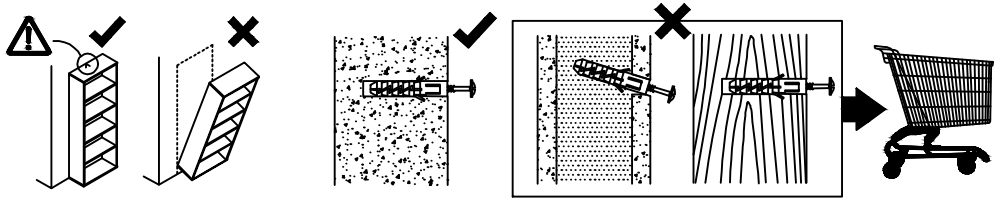
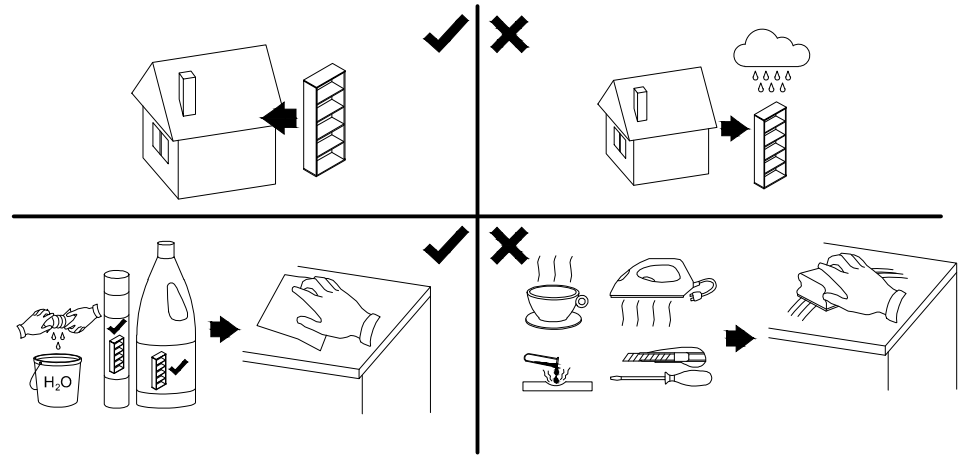
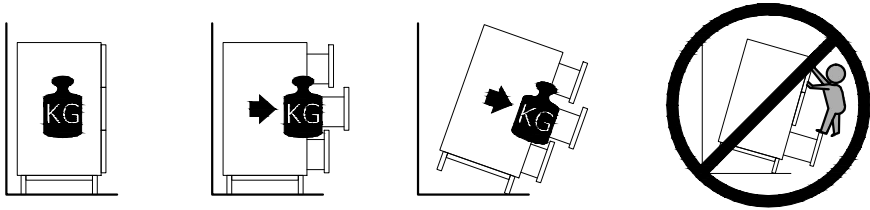


1,5H

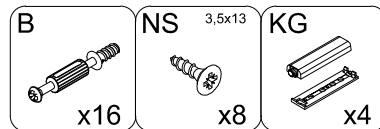
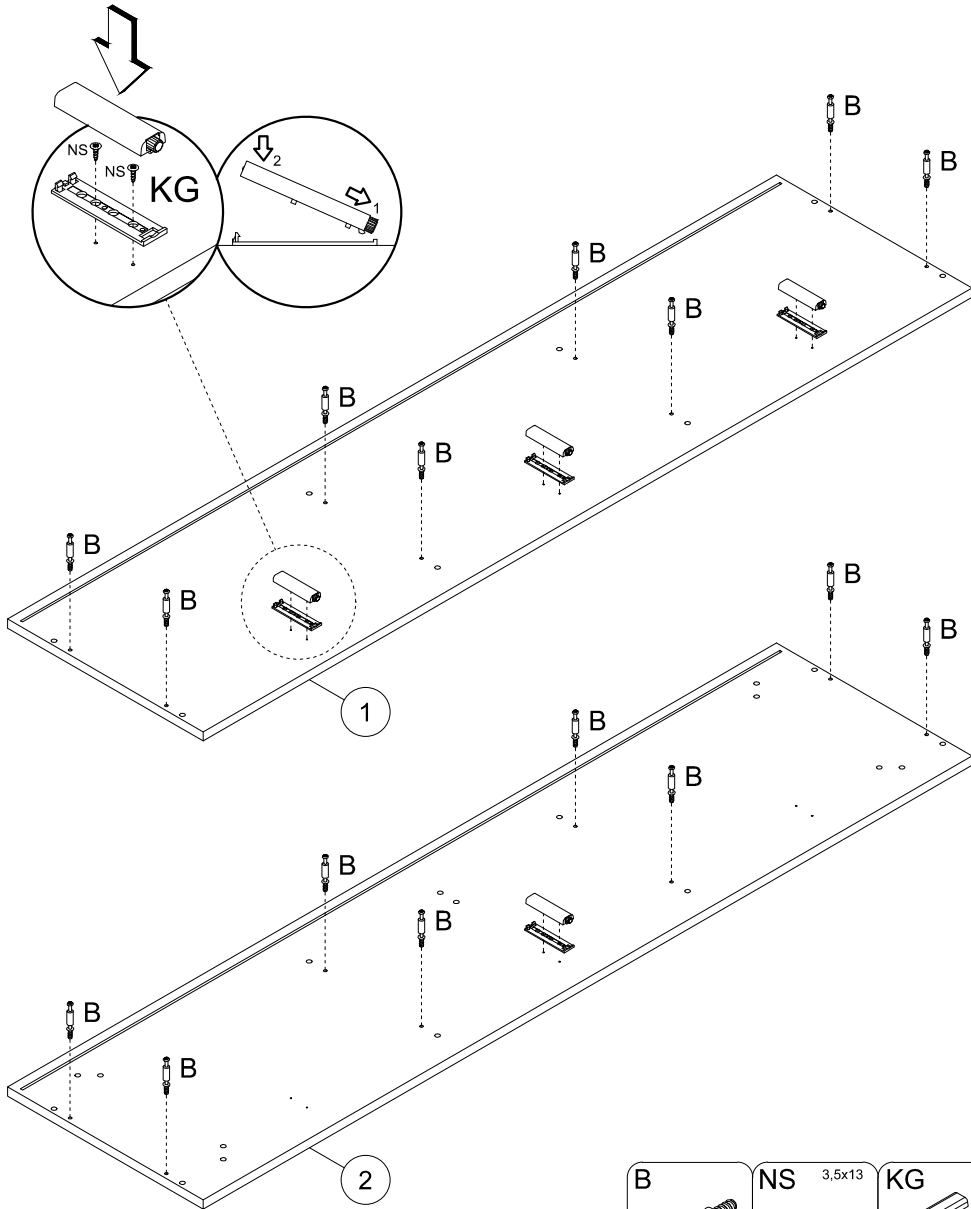
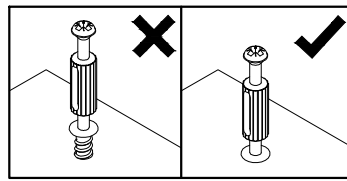
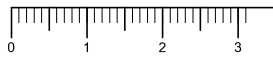
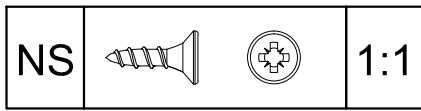


A	8x32				
	x44				
B		C	HD	KG	N
	x28	x28	6x30	x5	3x20
			x10		x19
ND	3,5x16	NGD	NS	PPW	TA
	x25	x5	3,5x13	300	
			x18	x6	x1
W+H2	X	Z	ZC	ZZ	
	x4	x16	x22	x10	x8

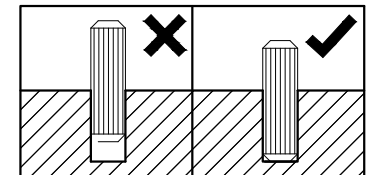
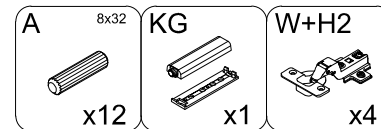
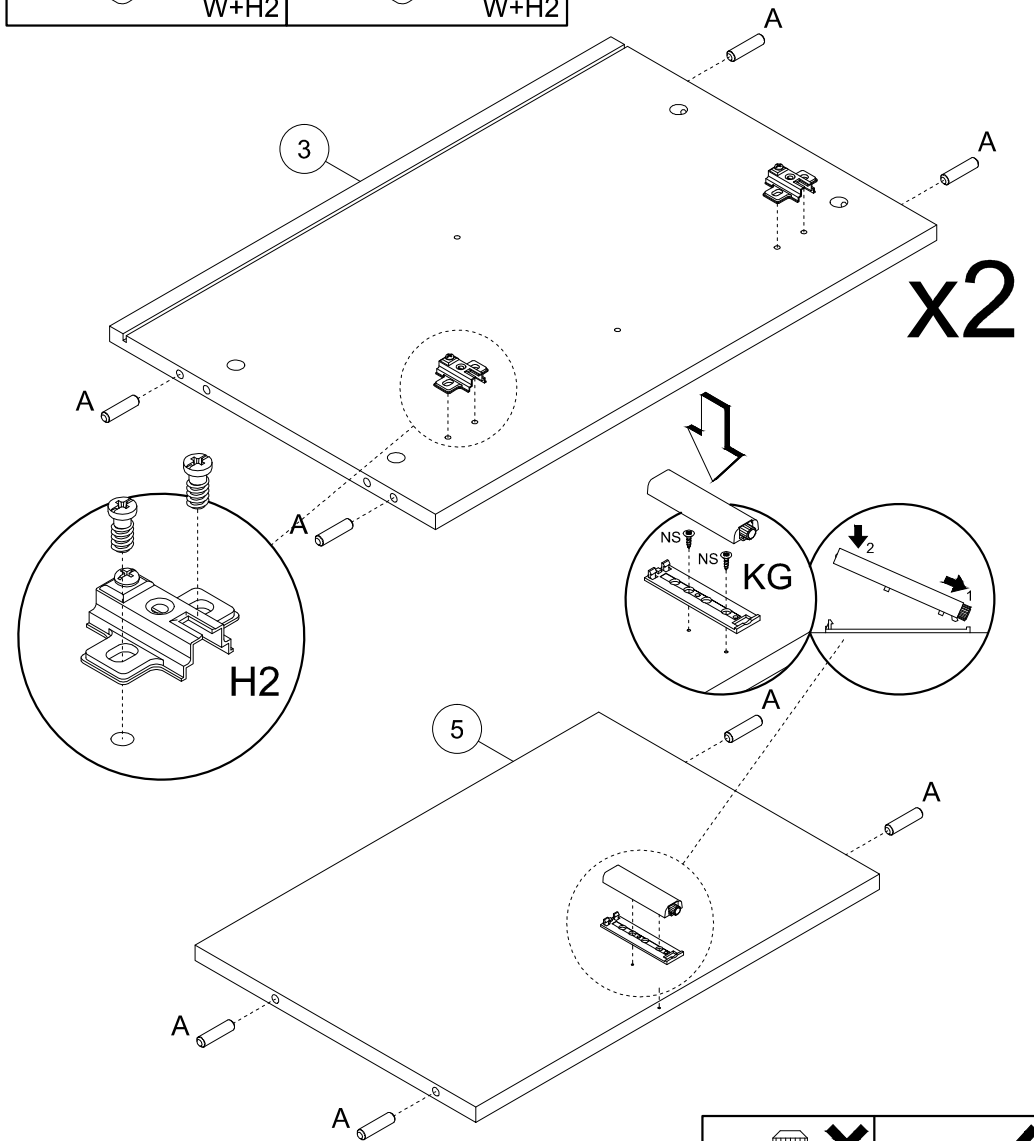
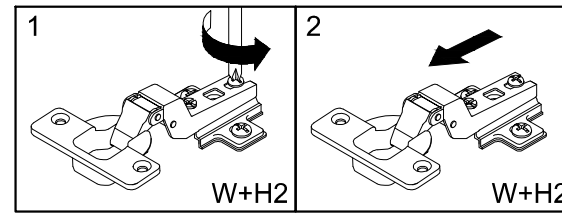
1	1534	390	16	x1	1 / 2
2	1534	390	16	x1	1 / 2
3	600	390	16	x2	1 / 2
4L	600	341	16	x1	1 / 2
4R	600	341	16	x1	1 / 2
5	483	341	16	x1	2 / 2
6	493	330	16	x2	1 / 2
7L	300	150	16	x3	2 / 2
7R	300	150	16	x3	2 / 2
8	427	130	16	x3	2 / 2
9	305	439	2.5	x3	2 / 2
10	496	196	16	x3	2 / 2
11	594	496	18	x2	2 / 2
12	506	612	2.5	x2	2 / 2
13	498	612	2.5	x1	2 / 2



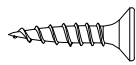

1

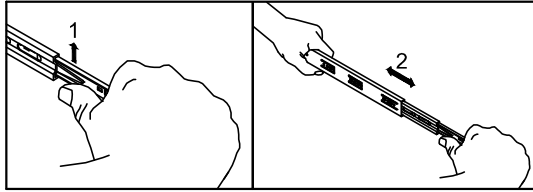
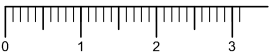


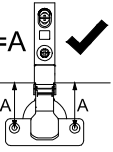
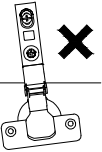
2





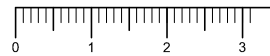
3

ND			1:1
----	--	--	-----

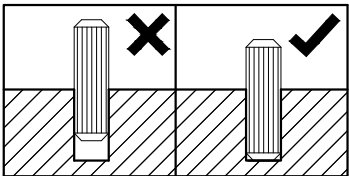
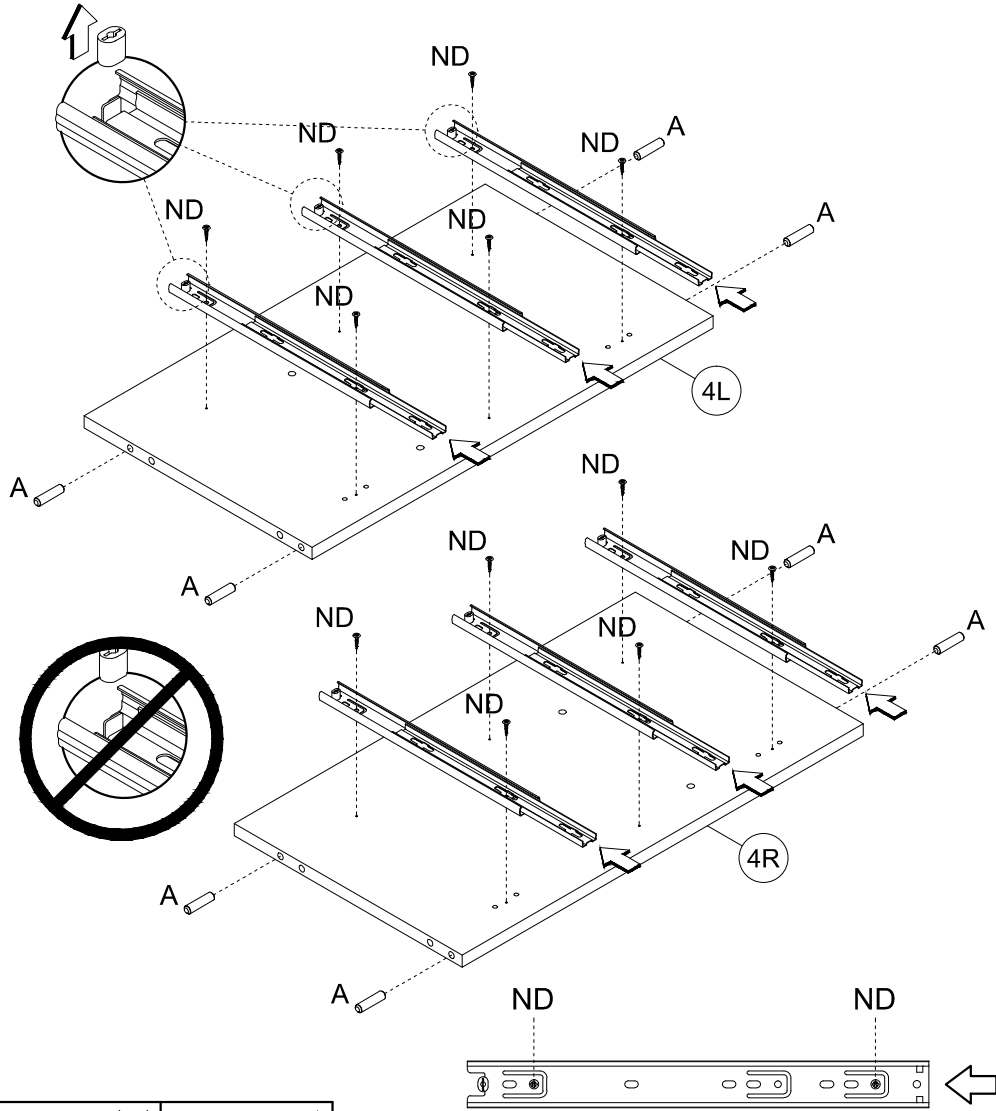



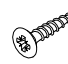

A=A		
-----	--	--

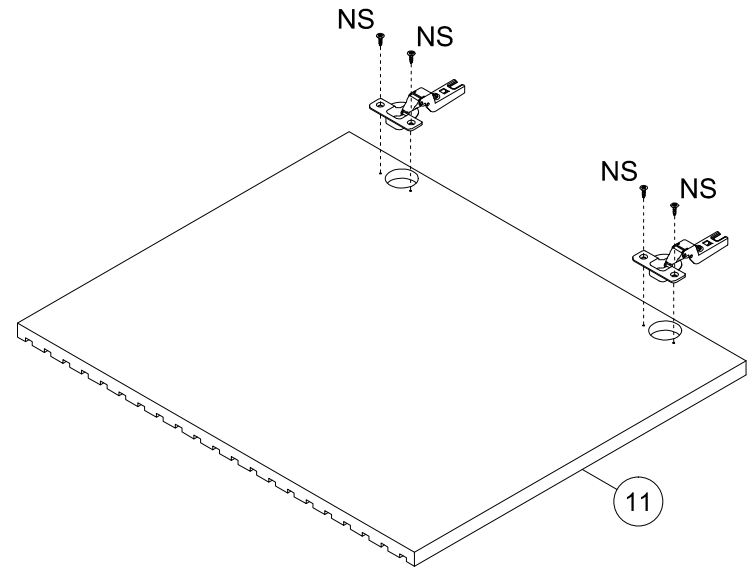
NS			1:1
----	--	--	-----





4



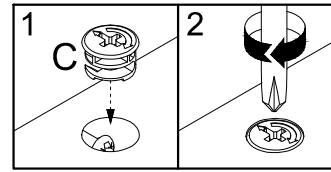
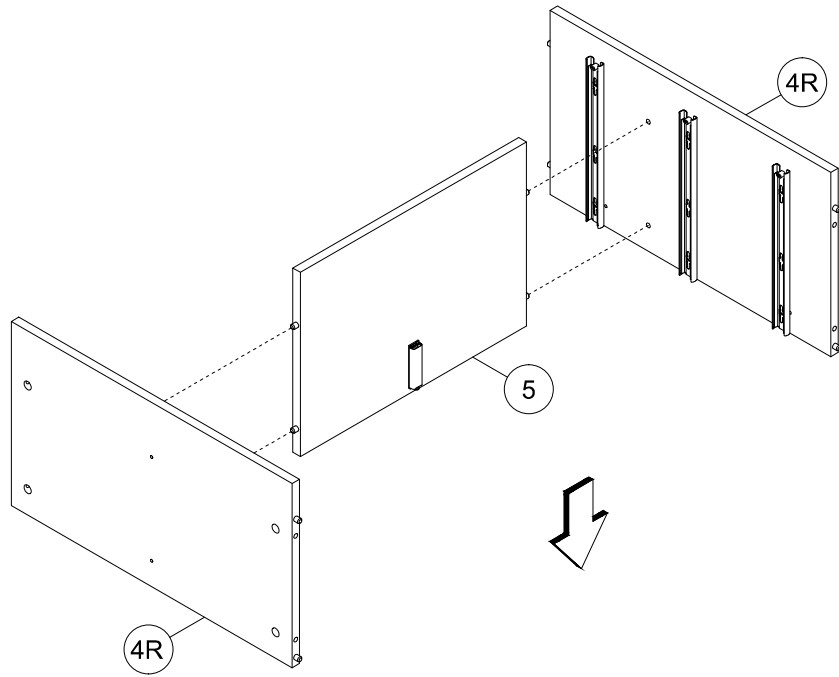
A	8x32	ND	3,5x16	PPW	300
					
x8		x12		x6	



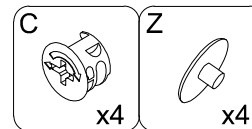
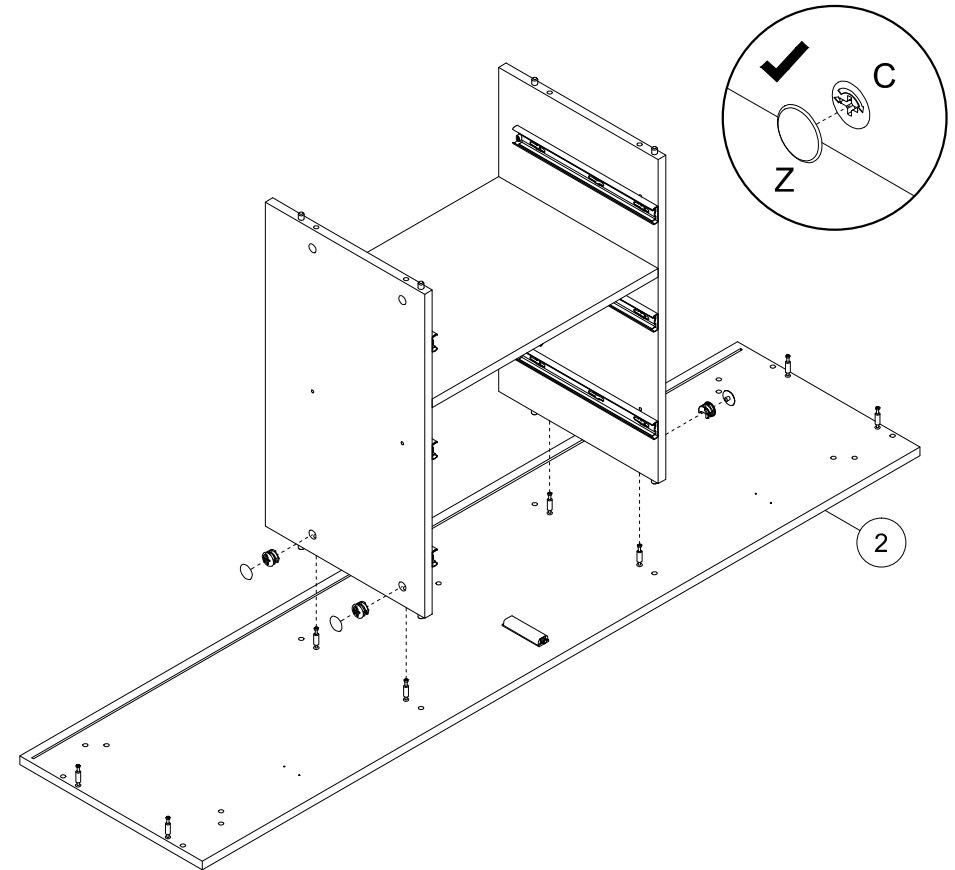
x2

NS	3,5x13	W+H2
		
x8		x4

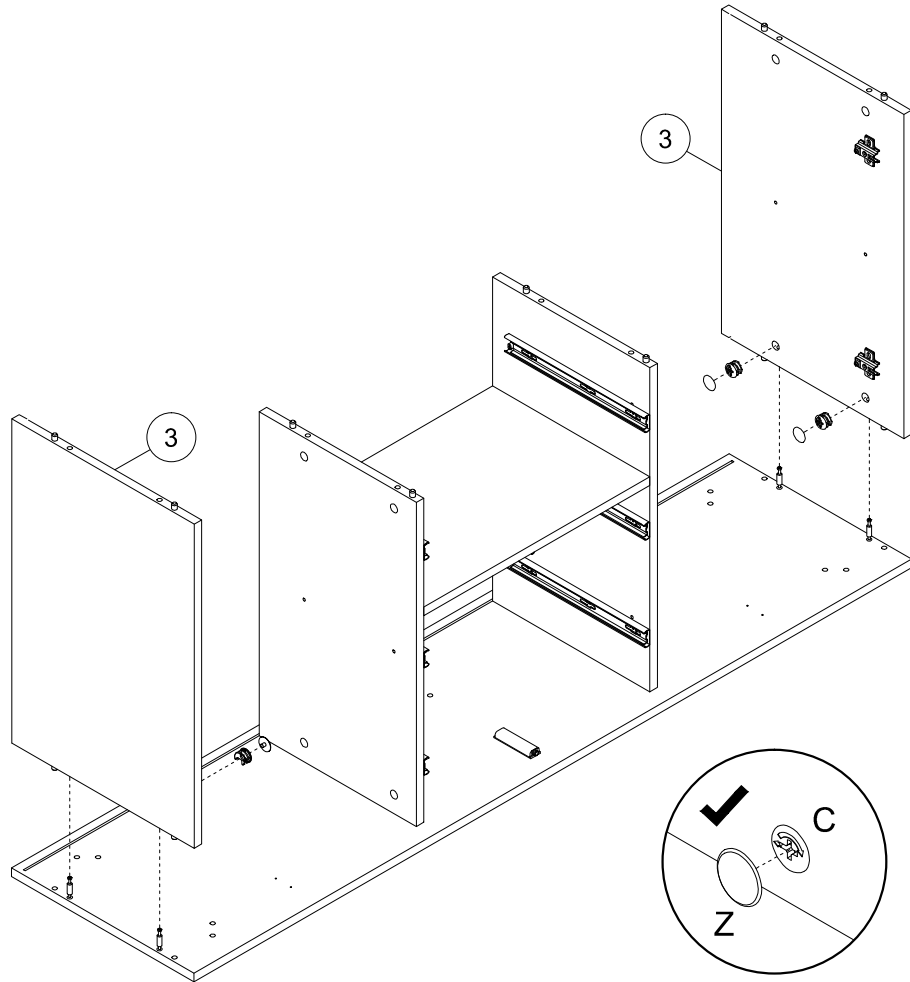
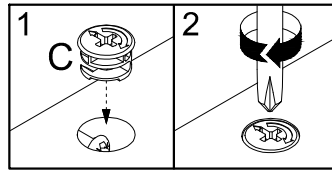
5



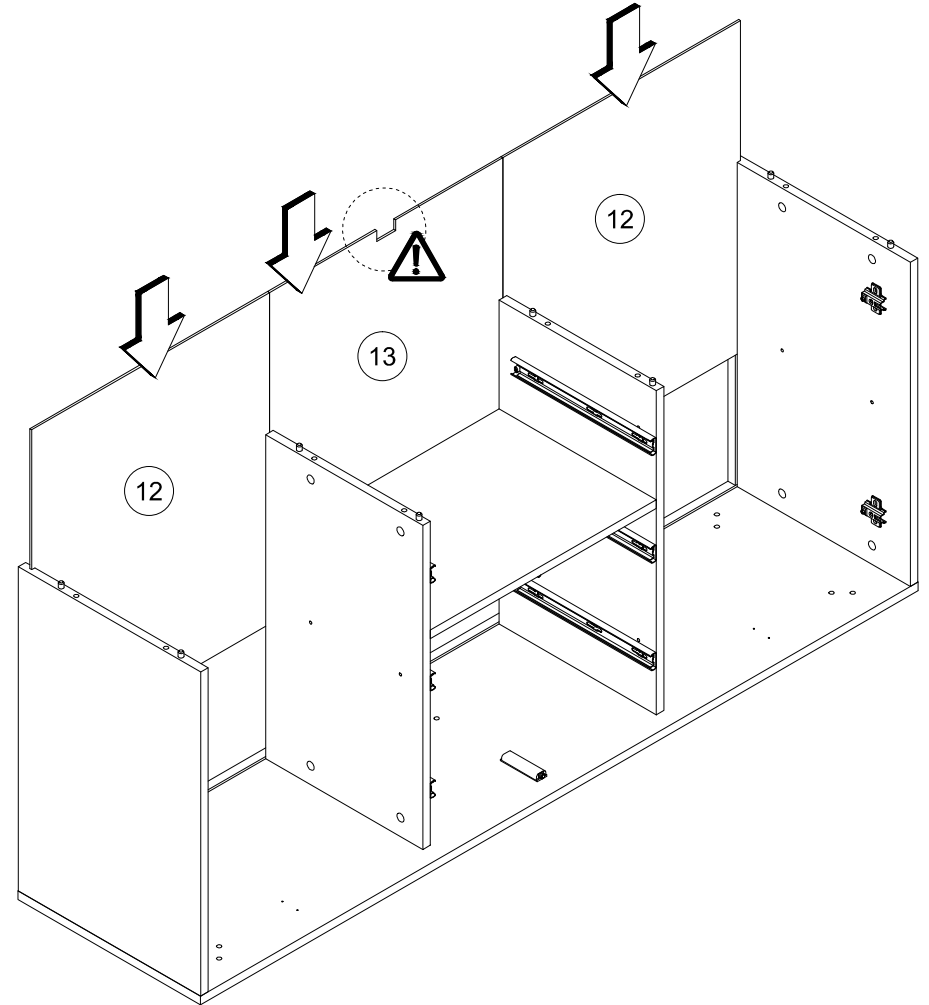
6

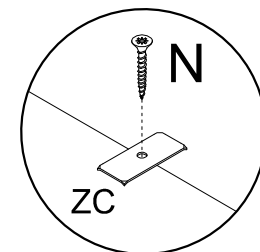
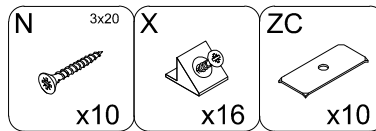
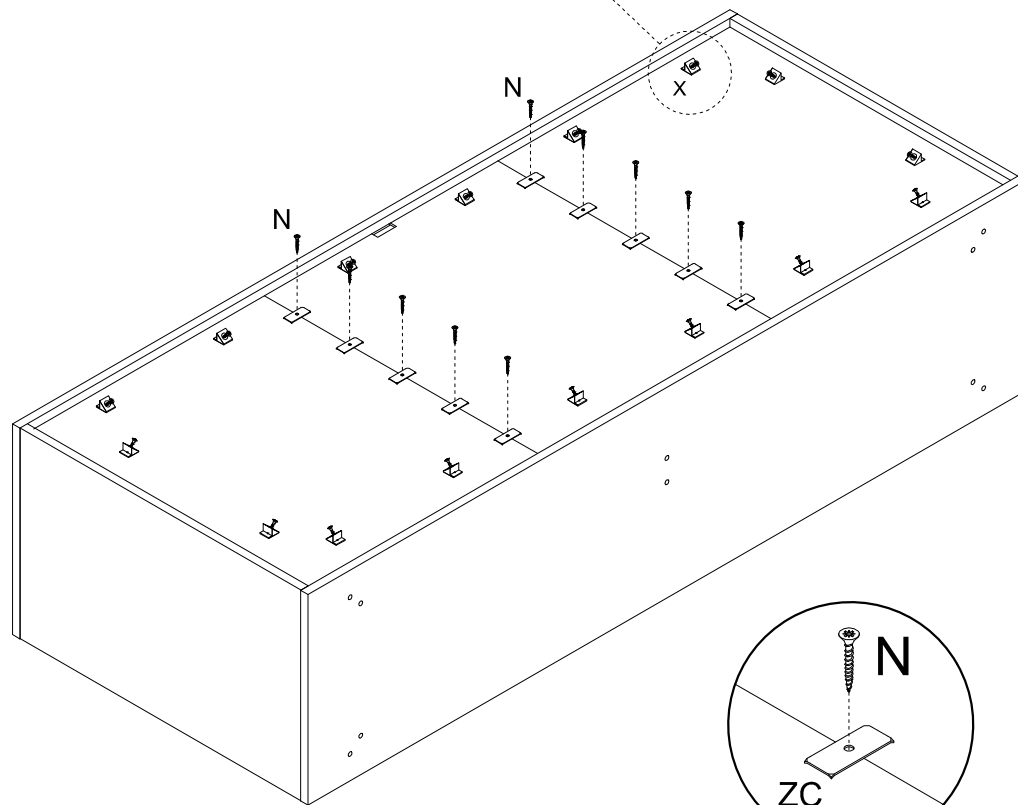
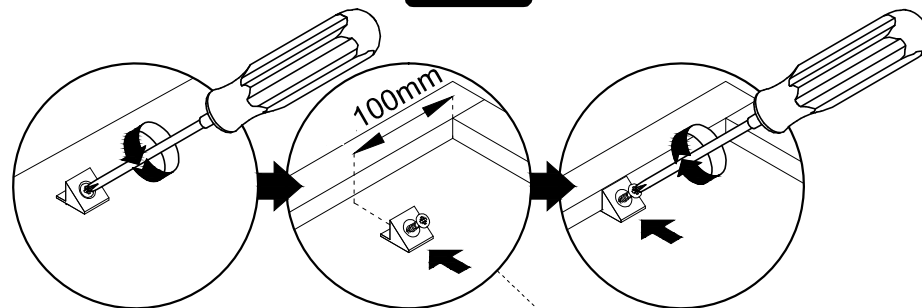
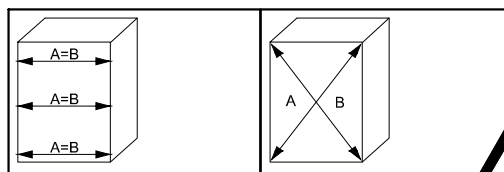
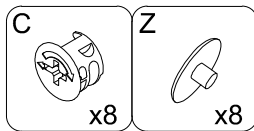
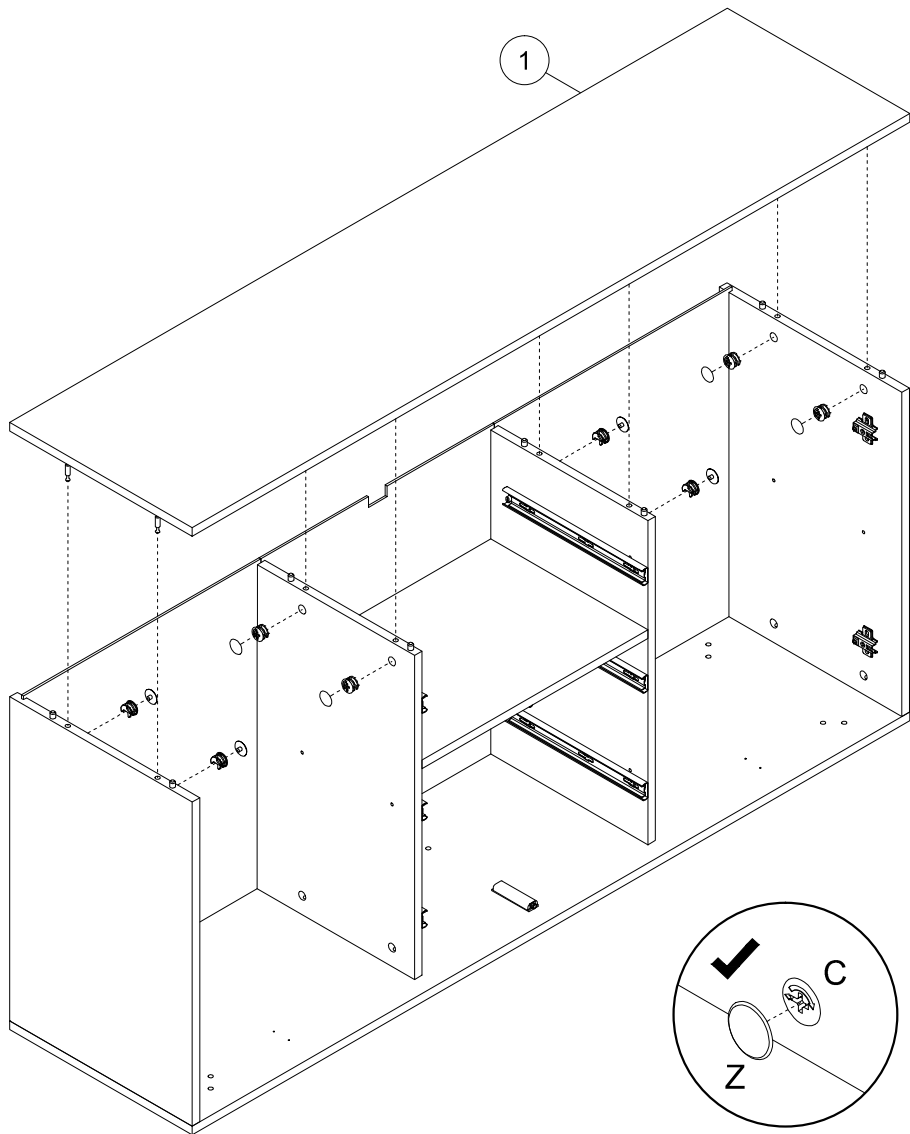


7

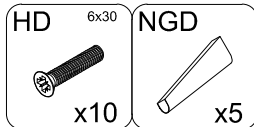
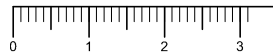
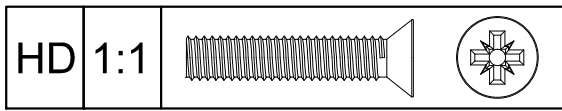
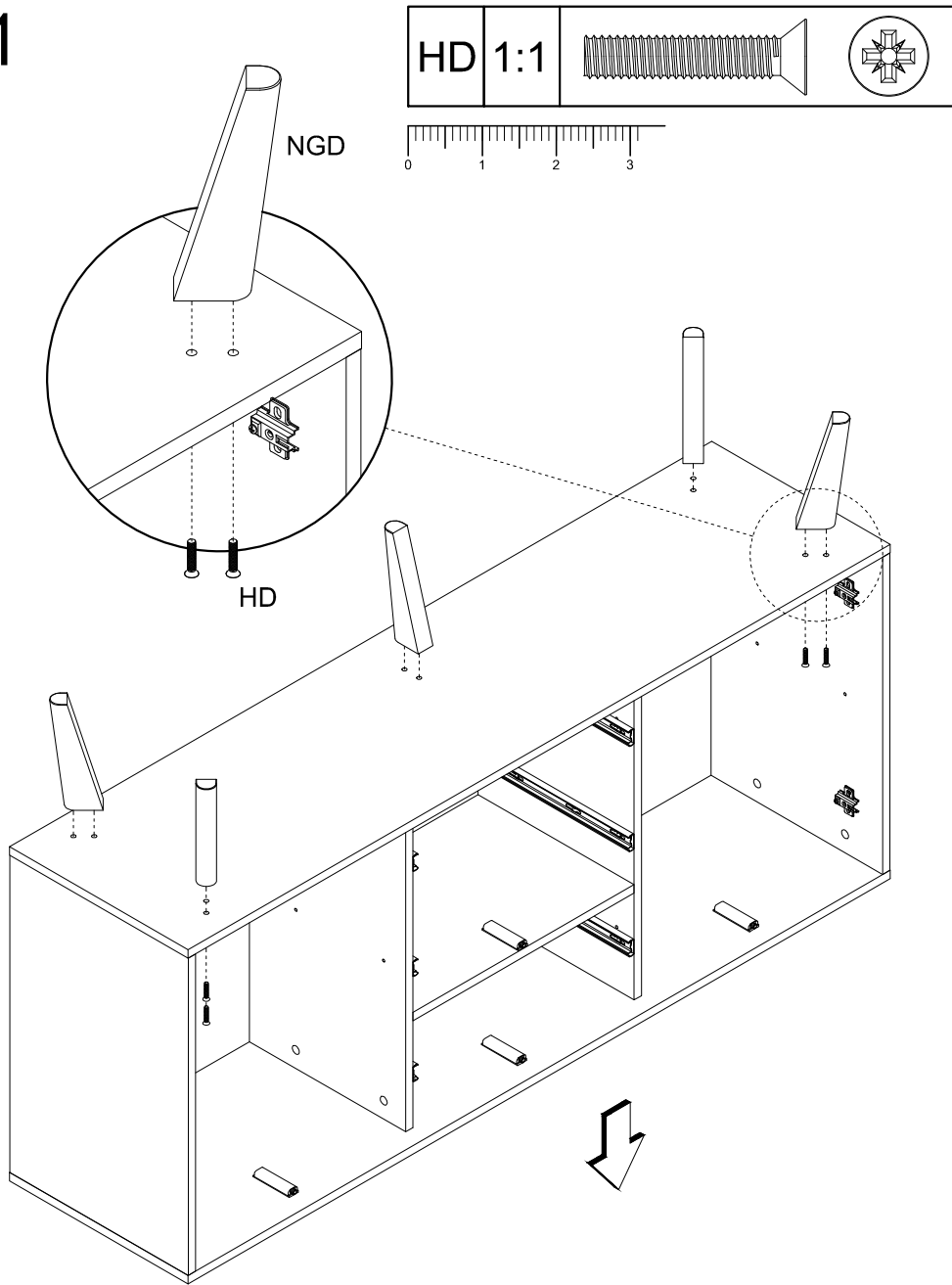


8

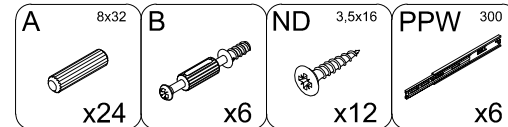
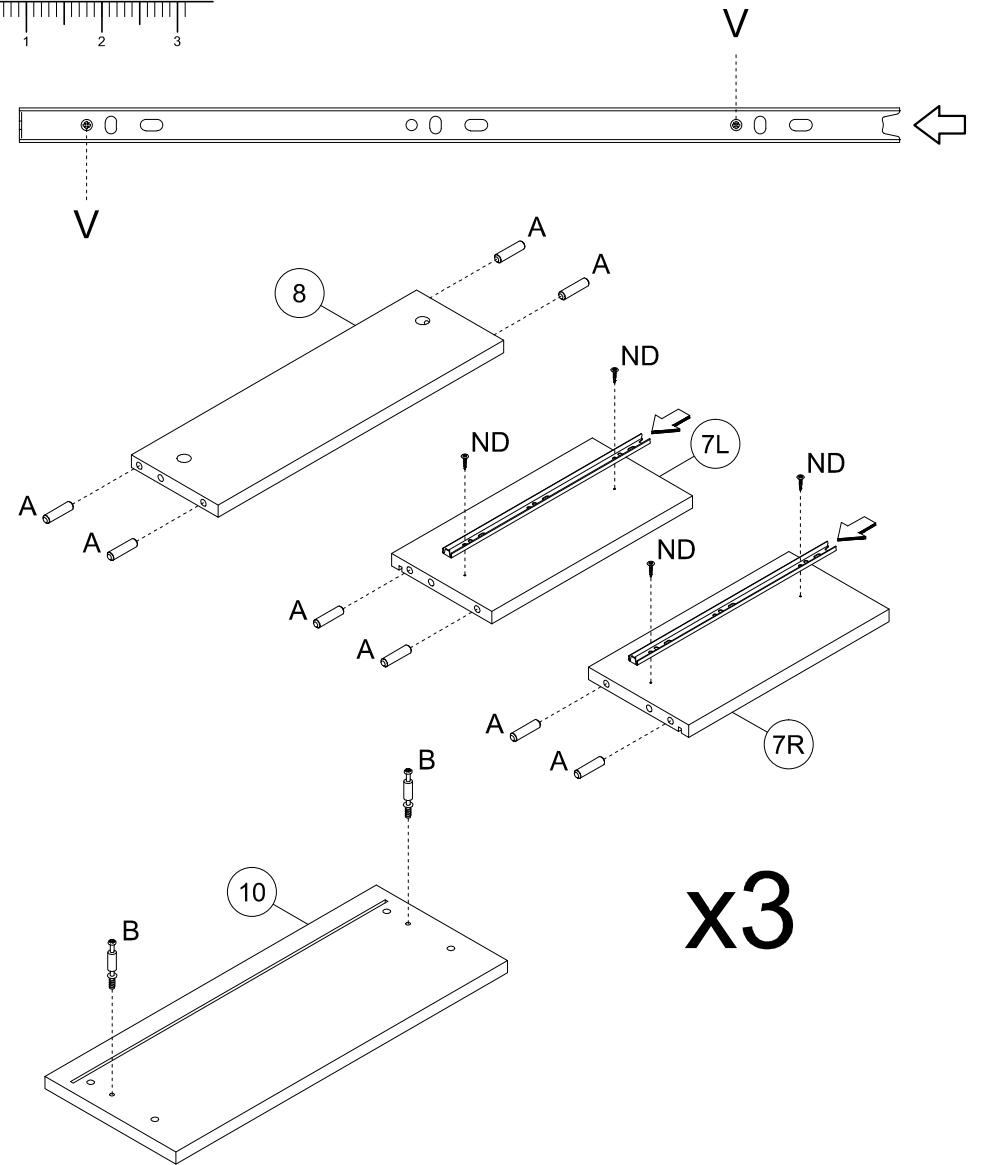
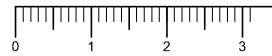
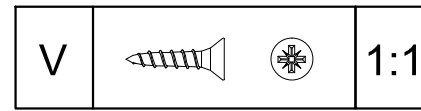




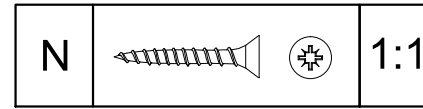
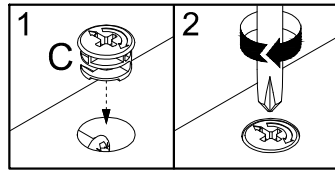
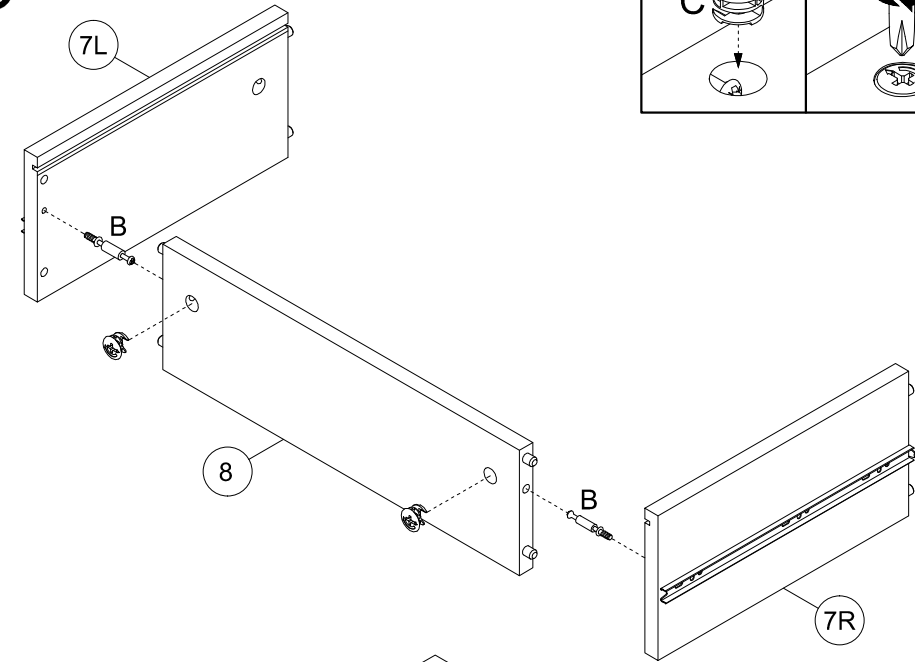
11



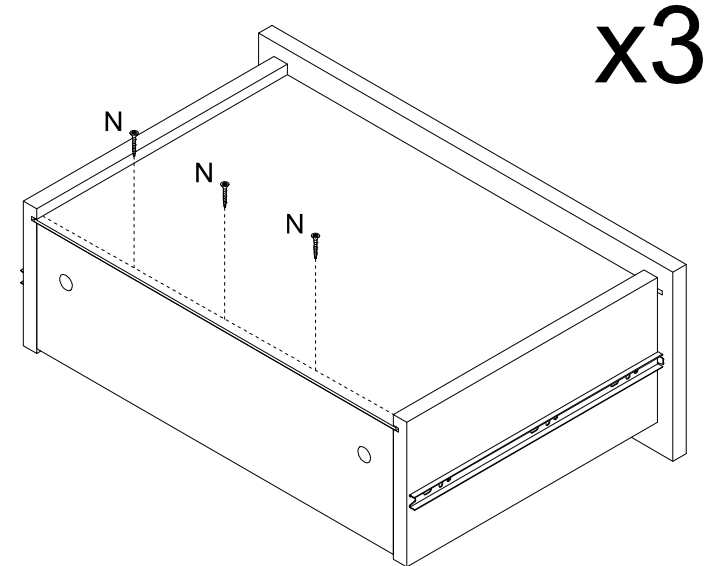
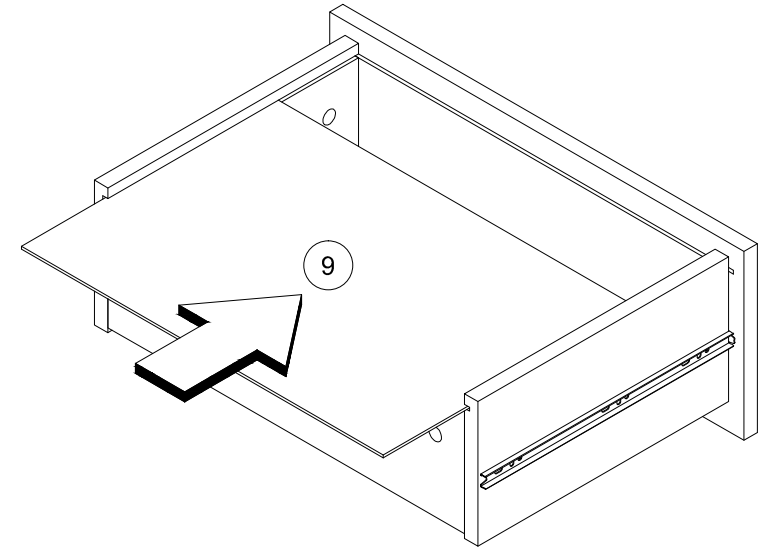
12



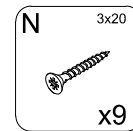
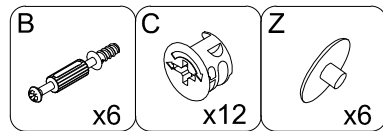
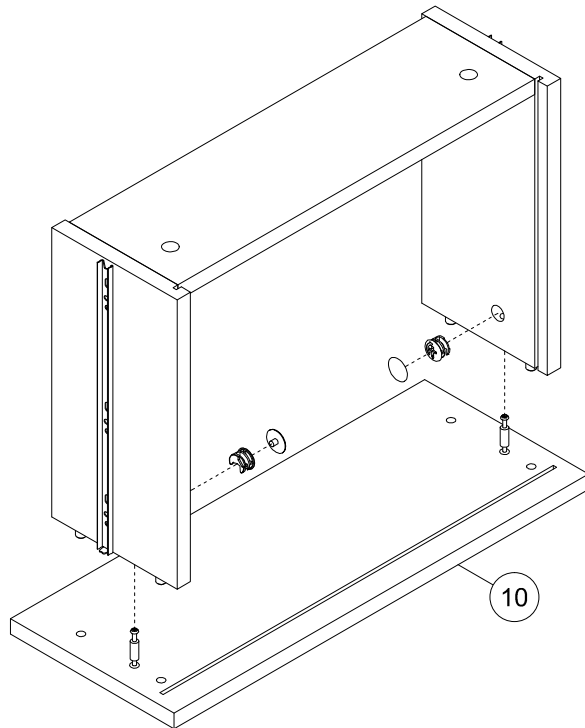
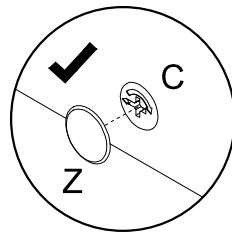
13



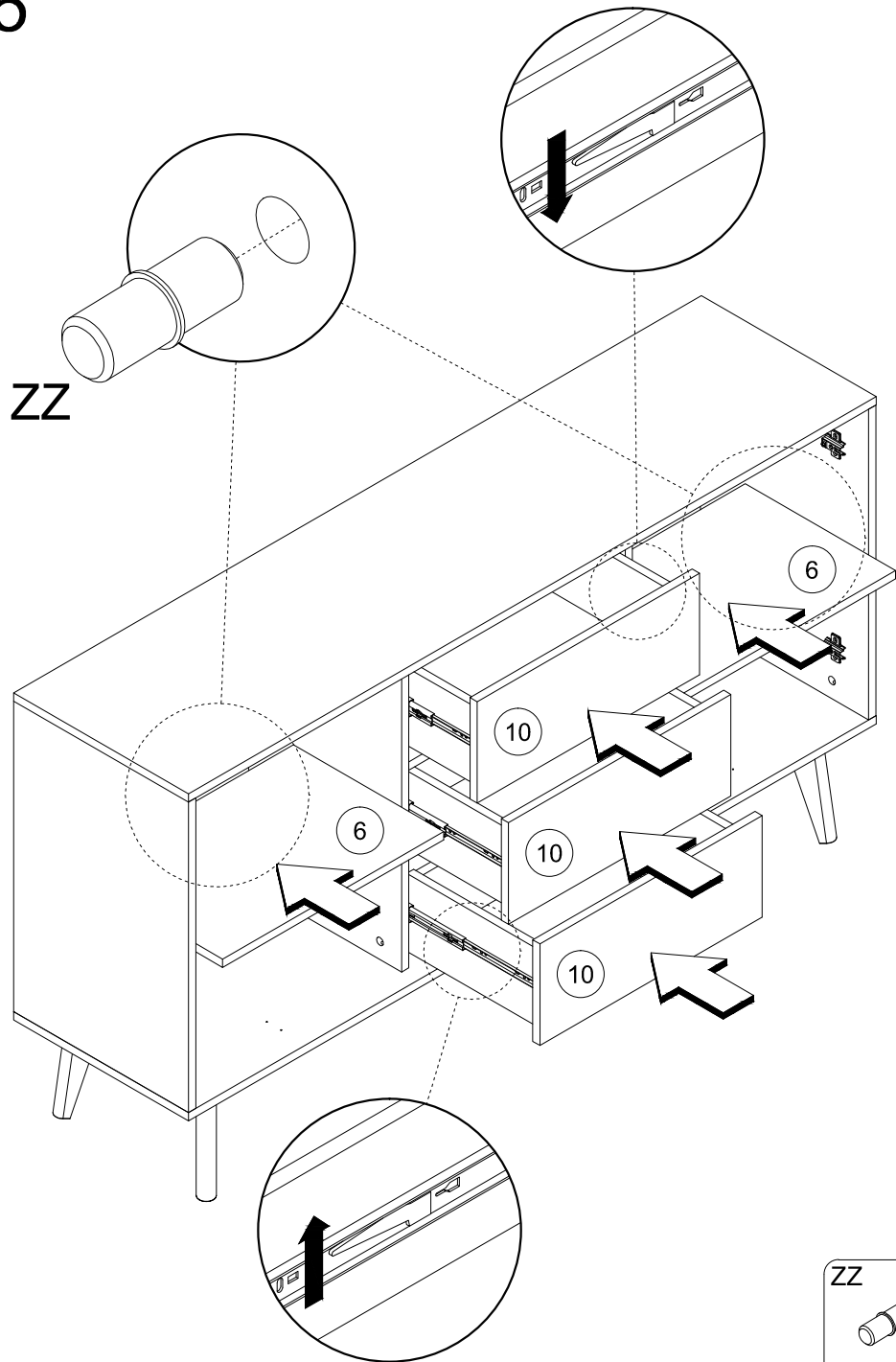
14



x3

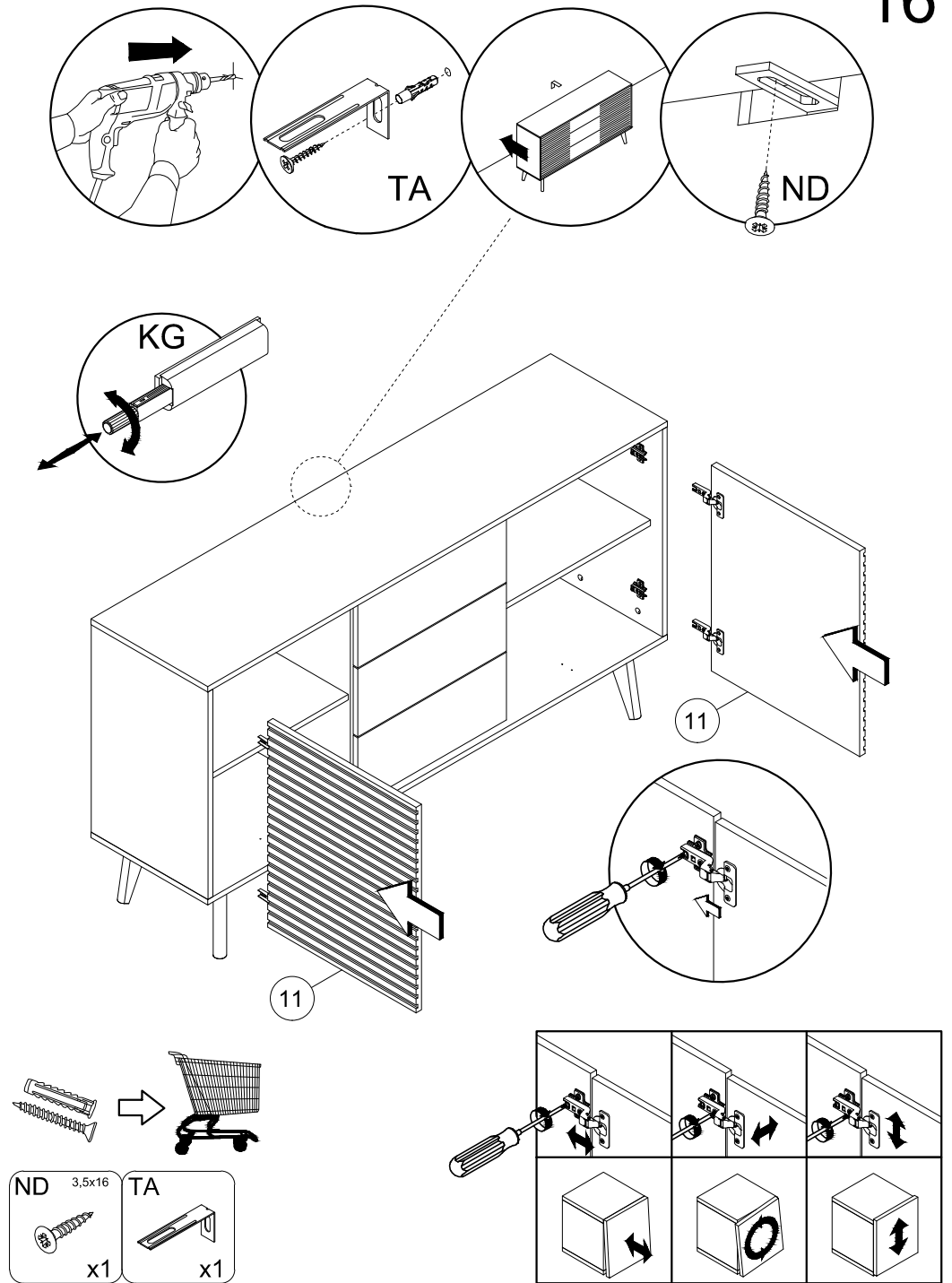


15



ZZ
x8

16



ND 3,5x16 x1
TA x1

