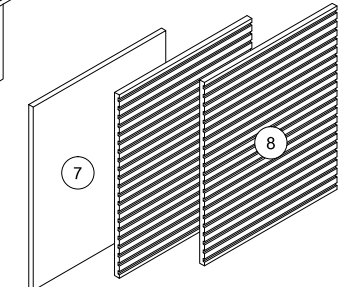
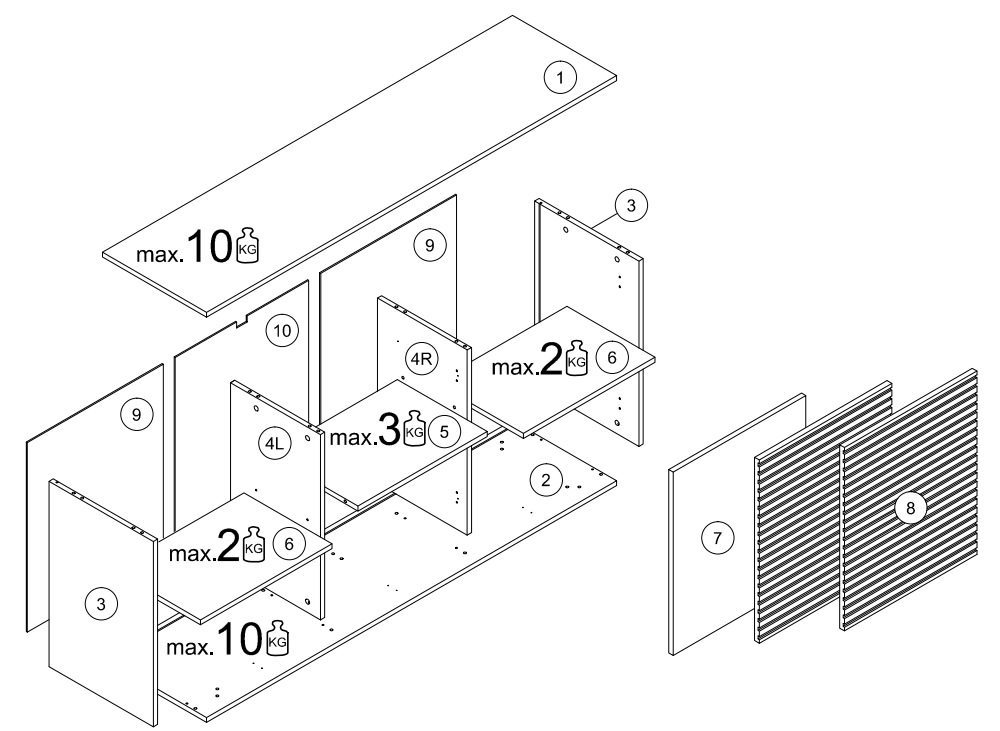
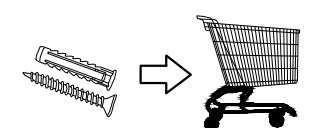
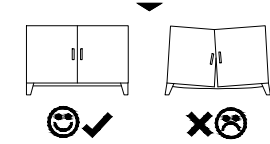


1,5H

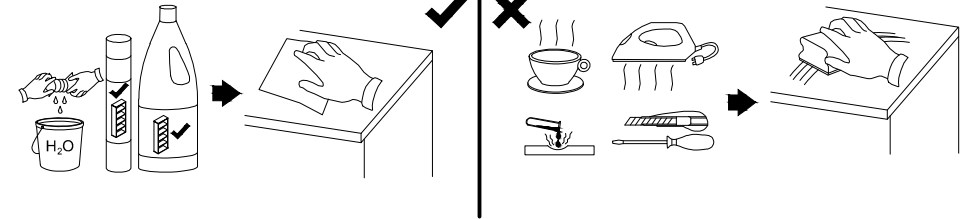
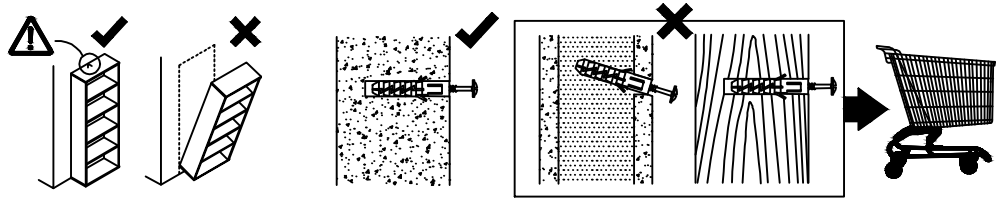
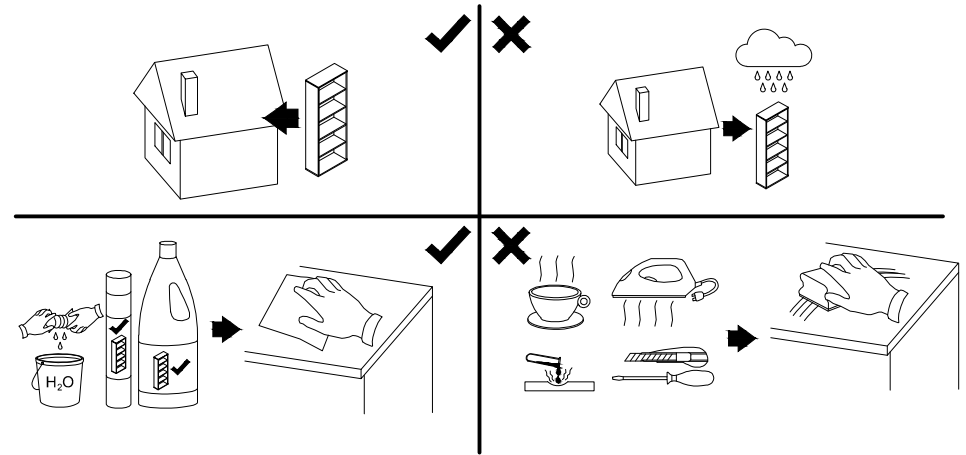
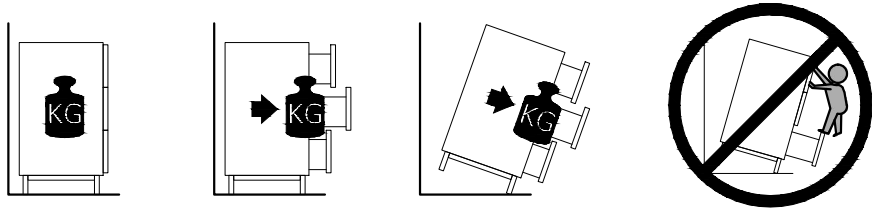


max. KG = 35 kg.

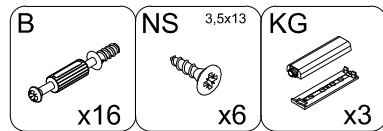
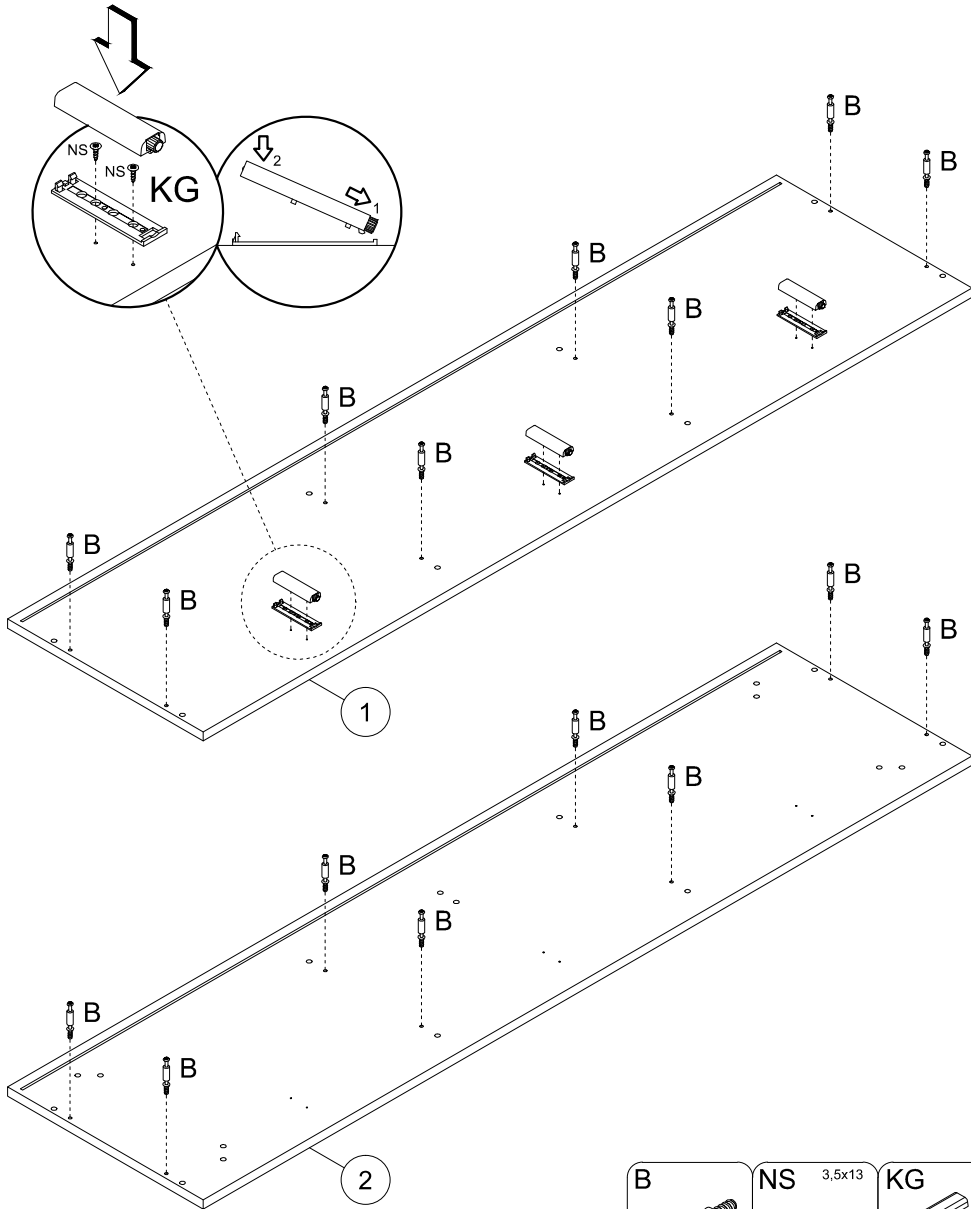
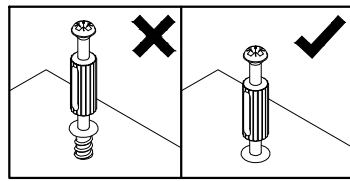
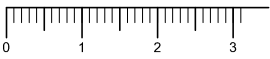
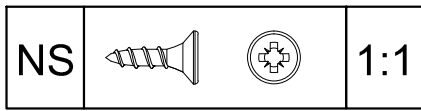


A	8x32	B	x20	C	x16	HD	6x30	KG	x3
N	3x20	NGD	x5	NS	3,5x13	PW1/2+H0	x2	TA	x1
W+H2	x4	X	x16	Z	x16	ZC	x10	ZZ	x8

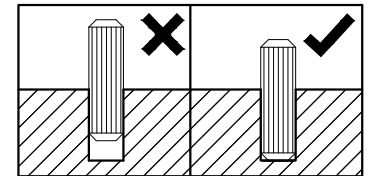
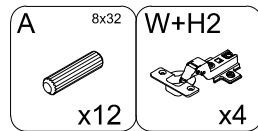
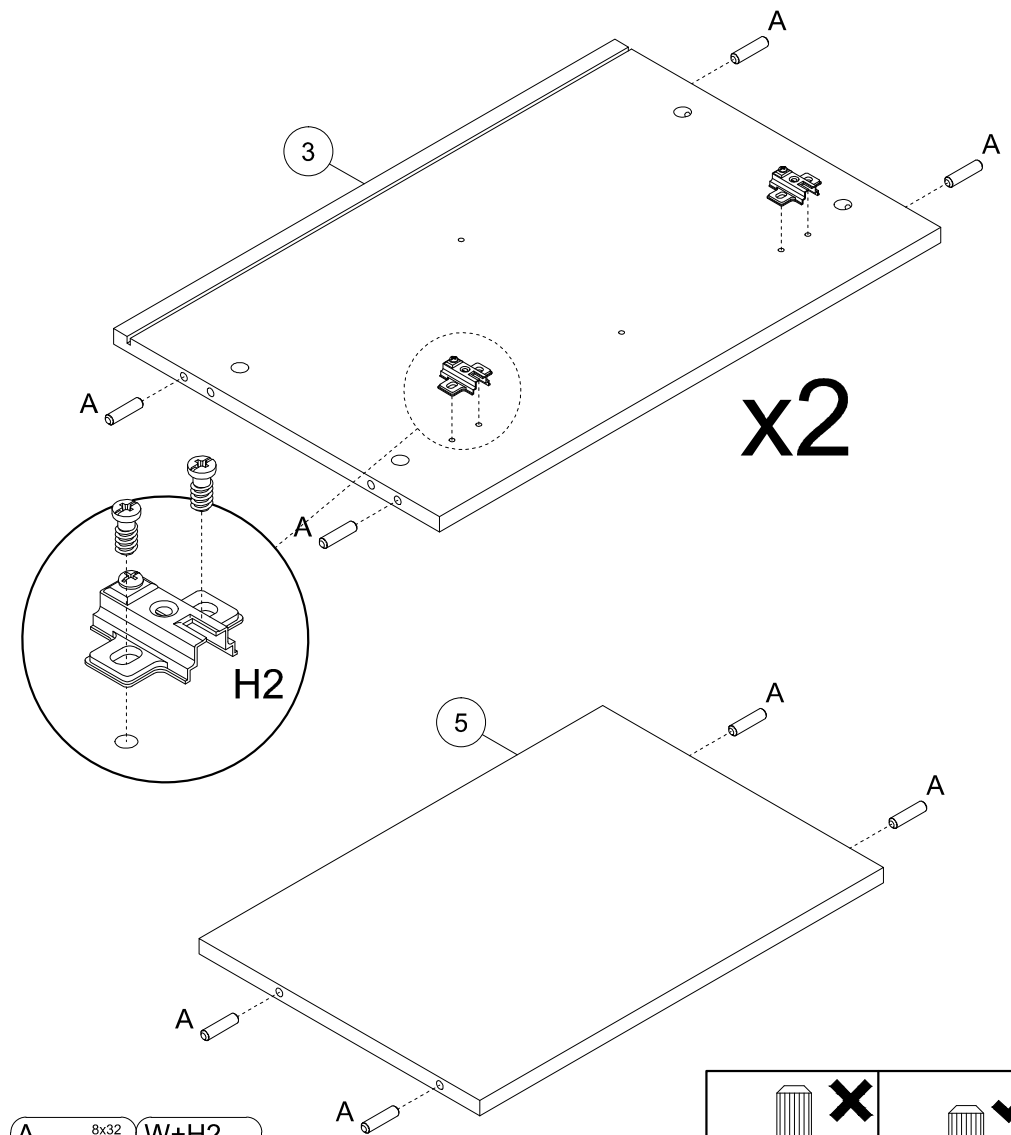
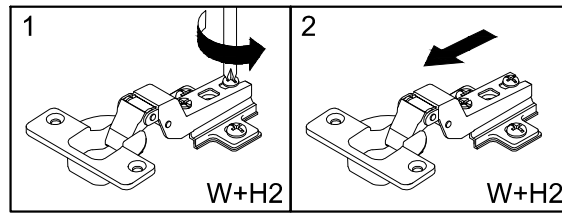
1	1534	390	16	x1	1 / 2
2	1534	390	16	x1	1 / 2
3	600	390	16	x2	1 / 2
4L	600	341	16	x1	1 / 2
4R	600	341	16	x1	1 / 2
5	483	341	16	x1	2 / 2
6	493	330	16	x2	1 / 2
7	594	496	16	x1	2 / 2
8	594	496	18	x2	2 / 2
9	506	612	2.5	x2	2 / 2
10	498	612	2.5	x1	2 / 2

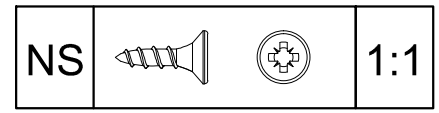
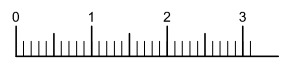
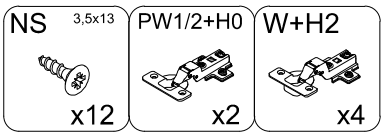
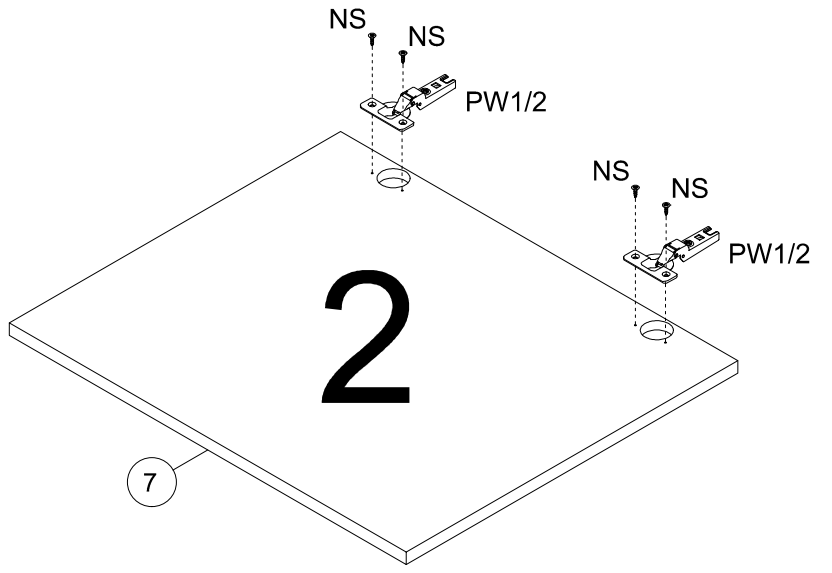
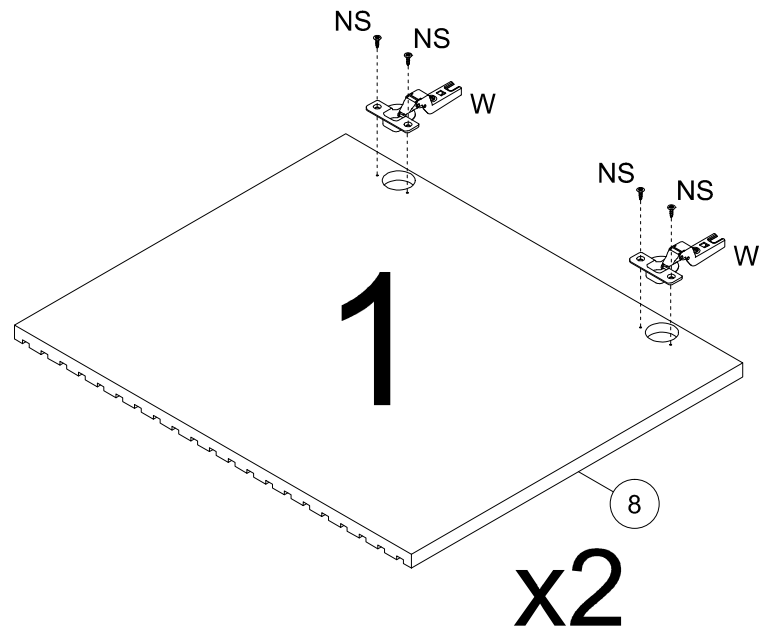
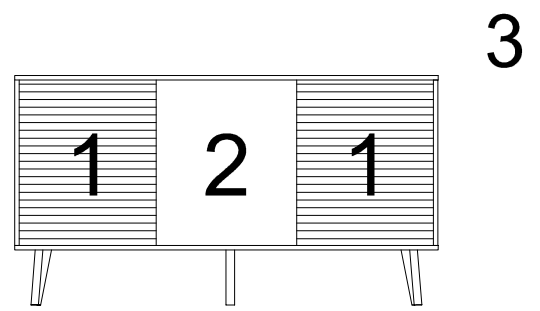
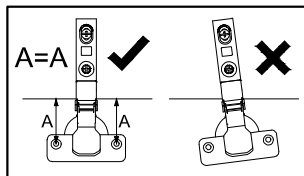
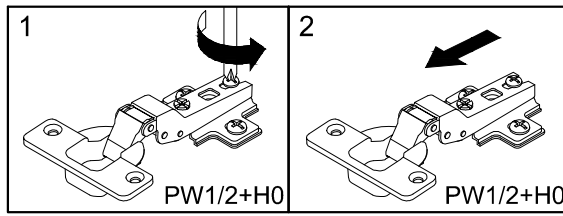
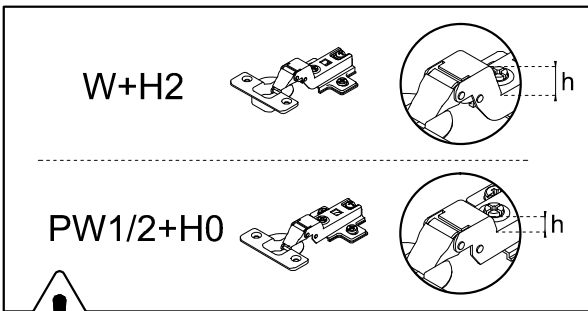


1

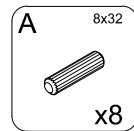
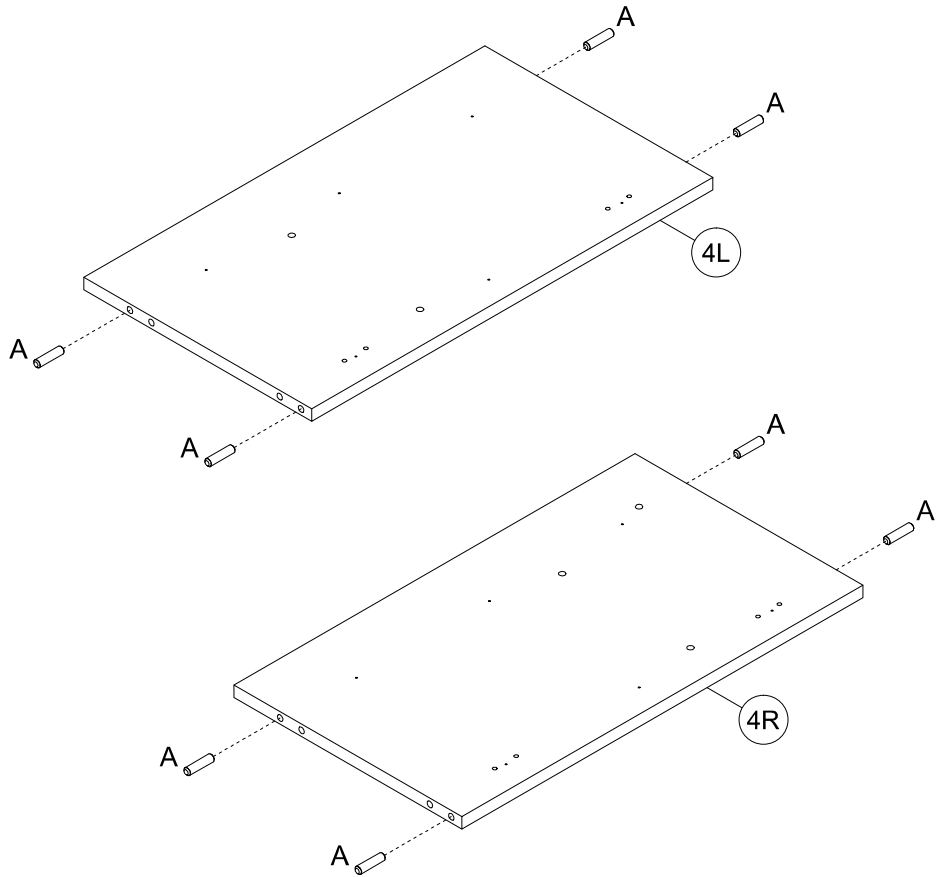
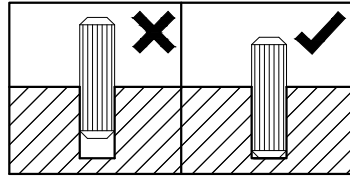


2

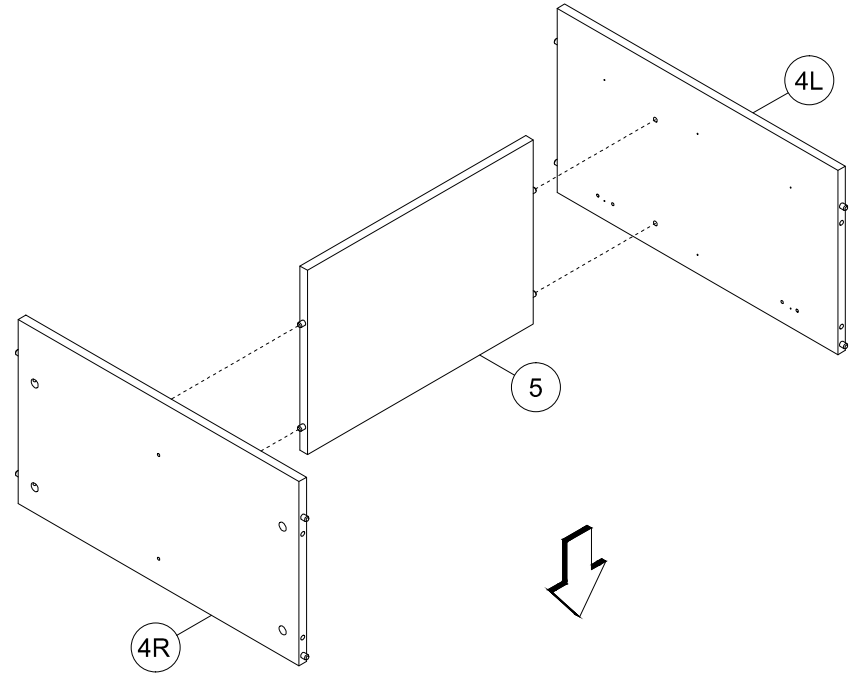




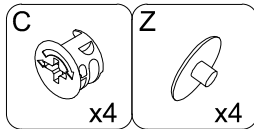
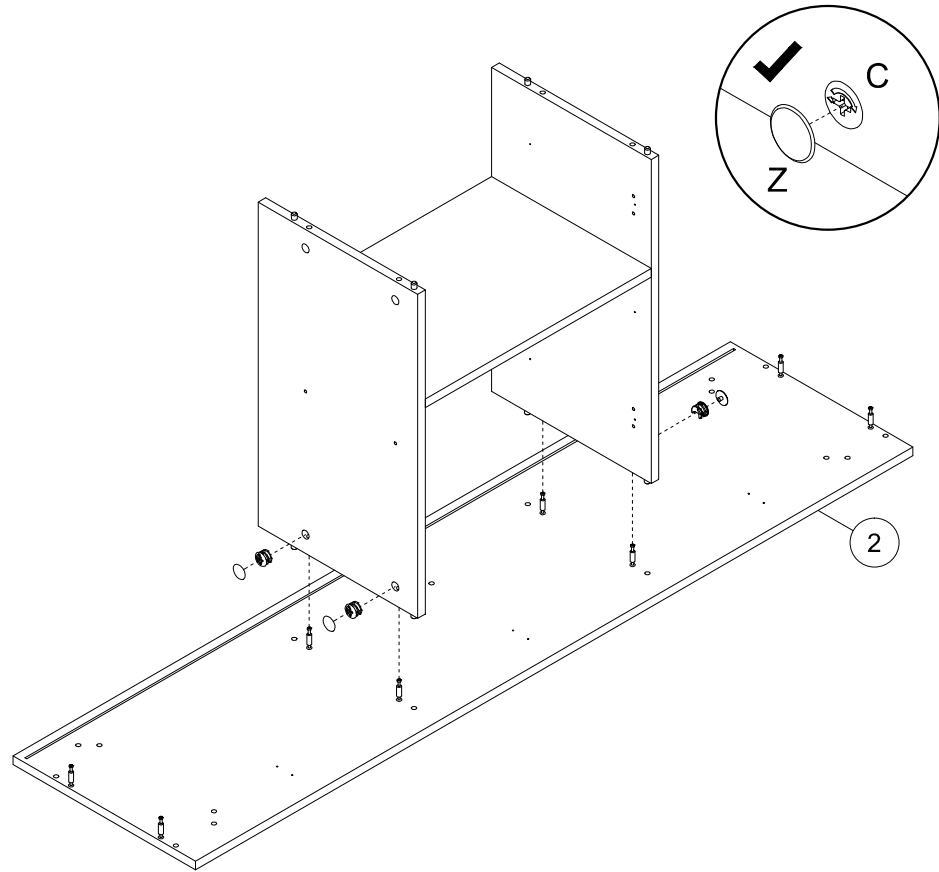
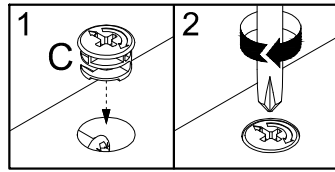
4



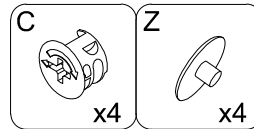
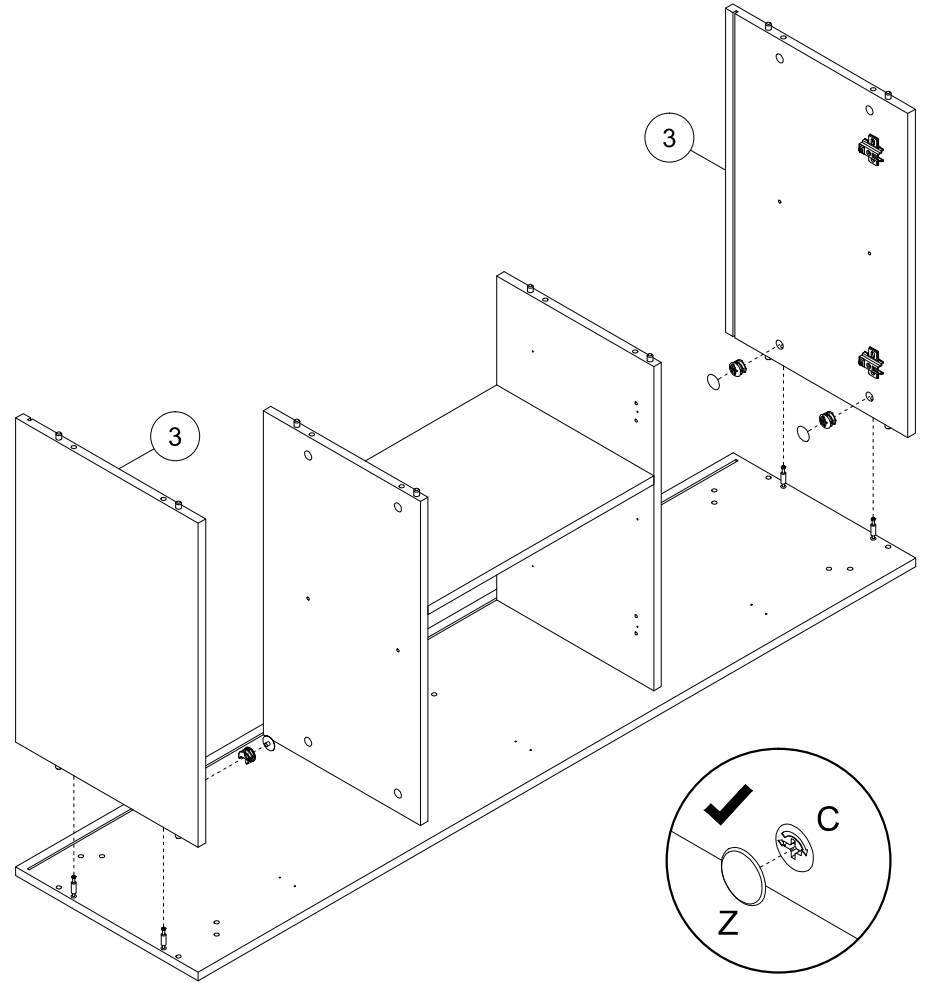
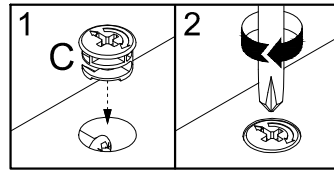
5



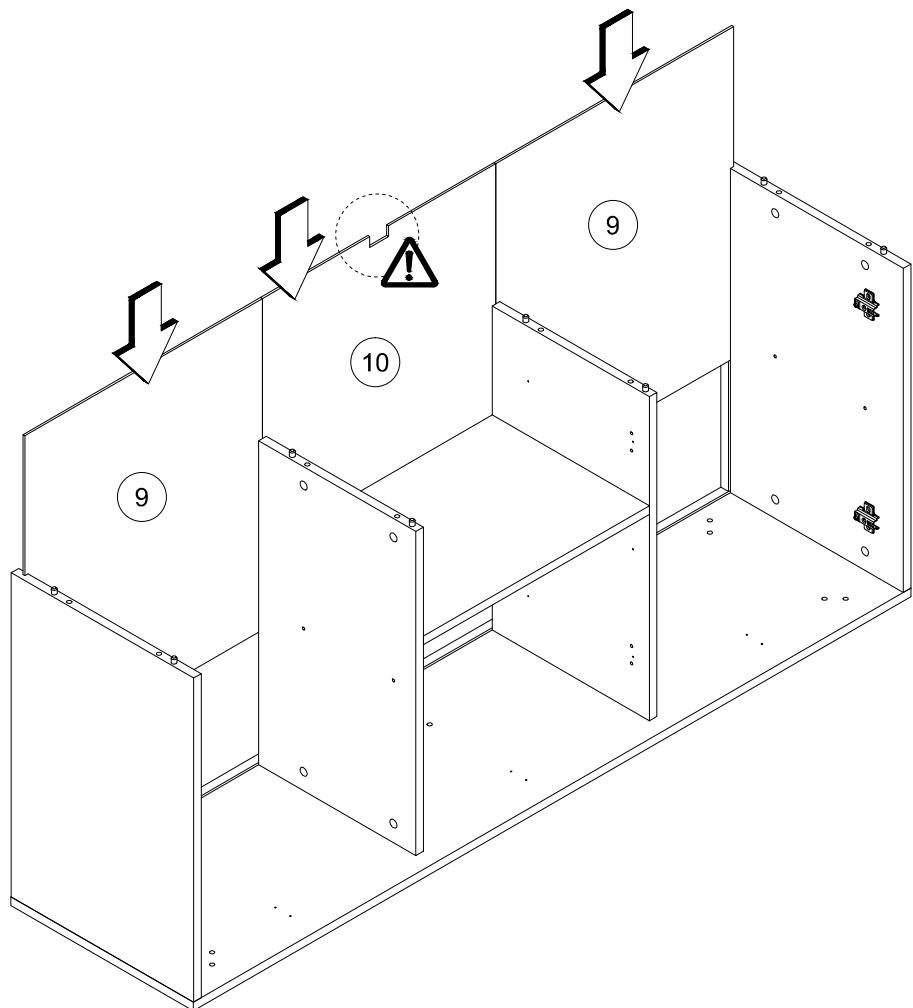
6



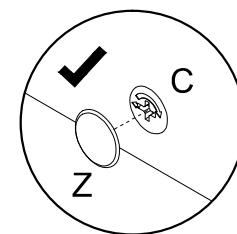
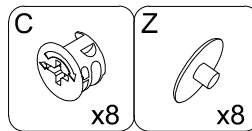
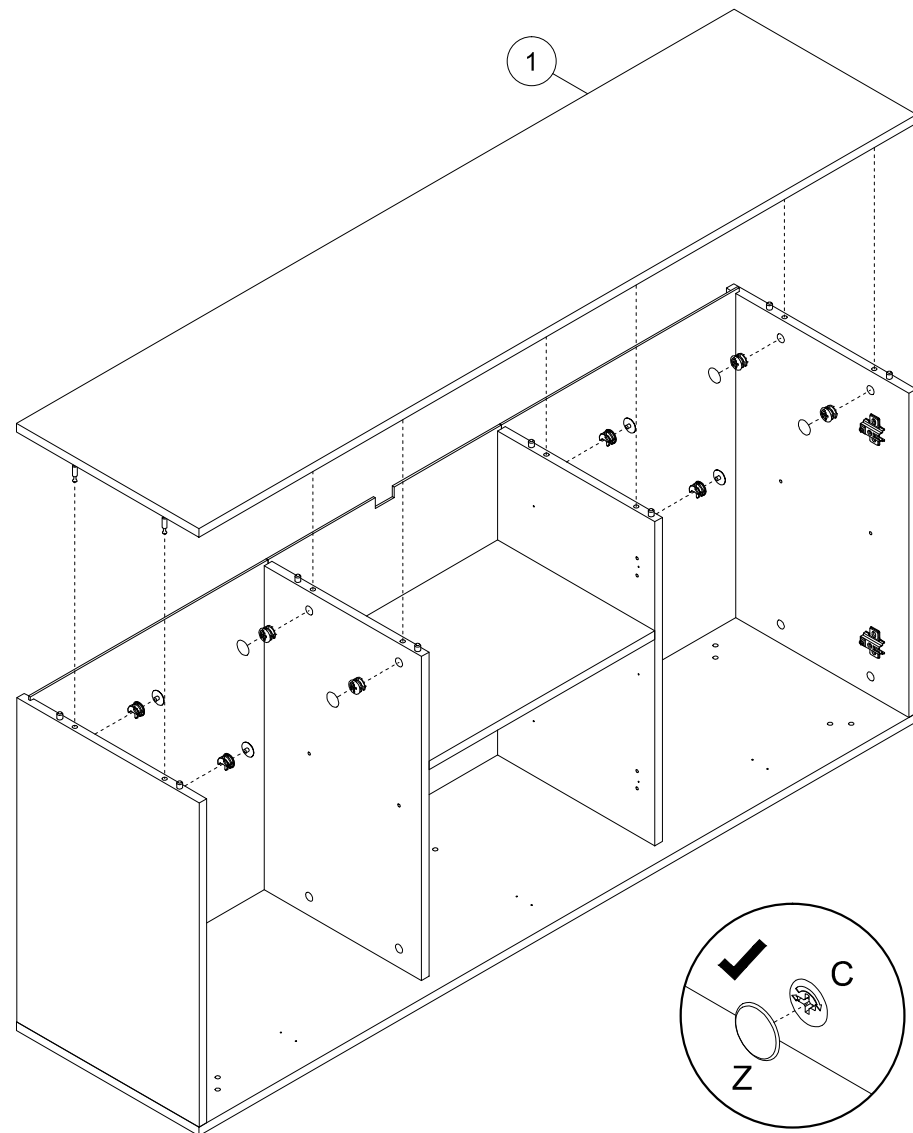
7



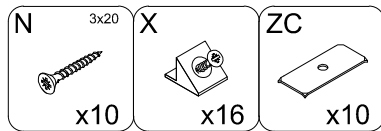
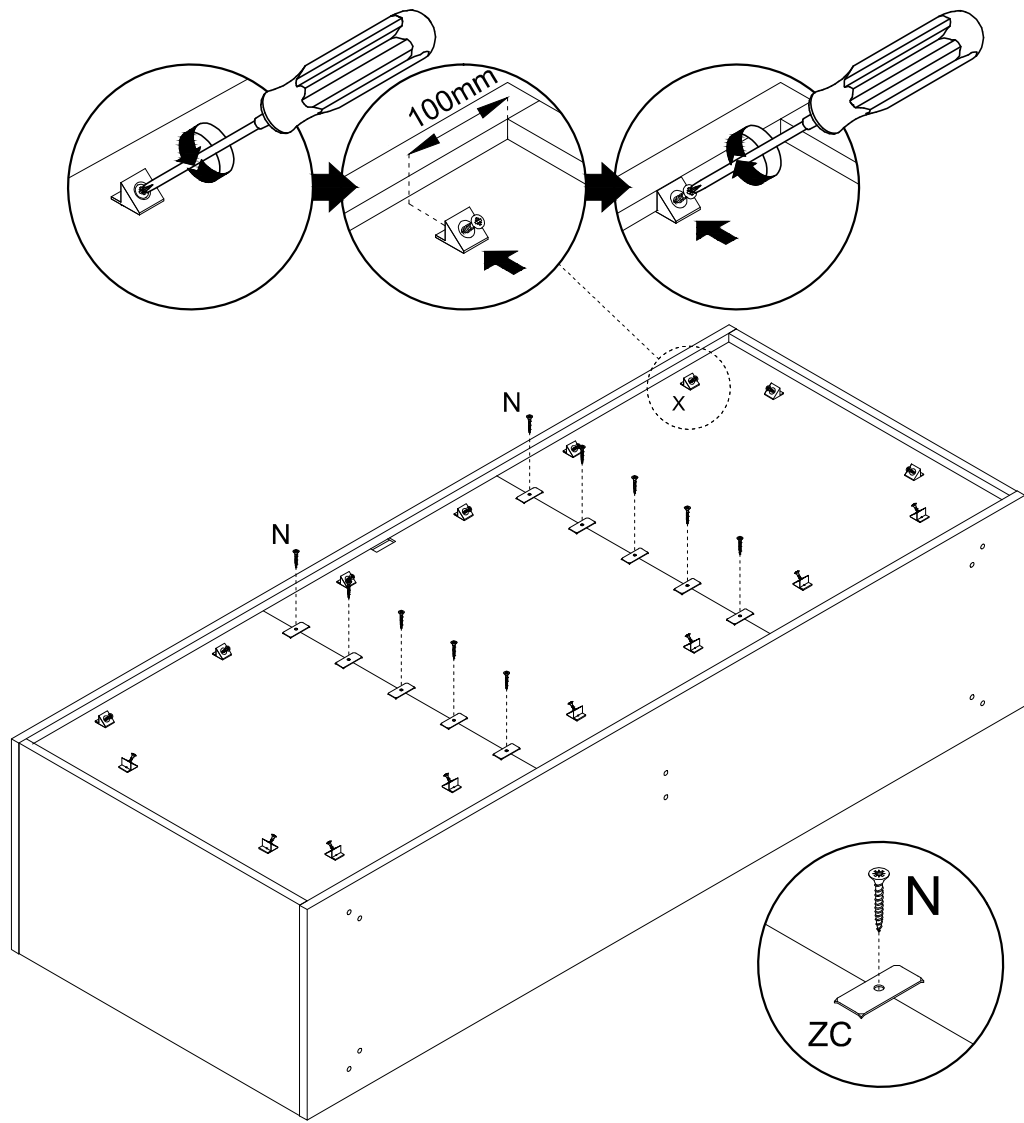
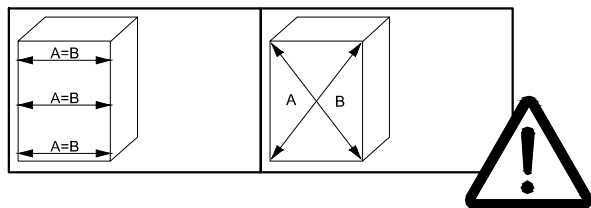
8



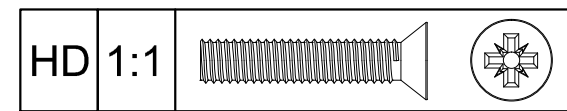
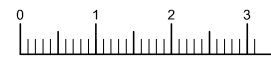
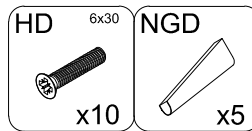
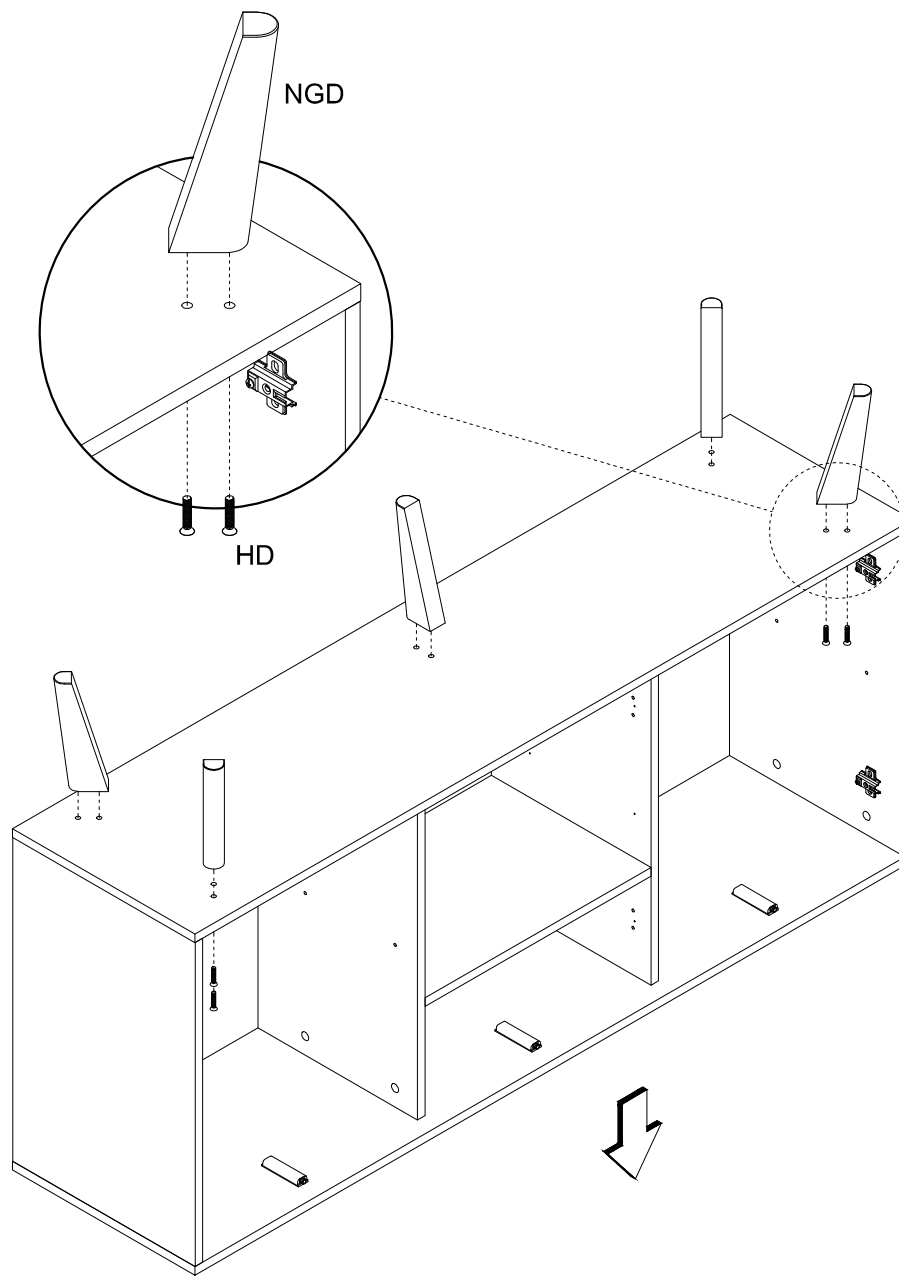
9



10

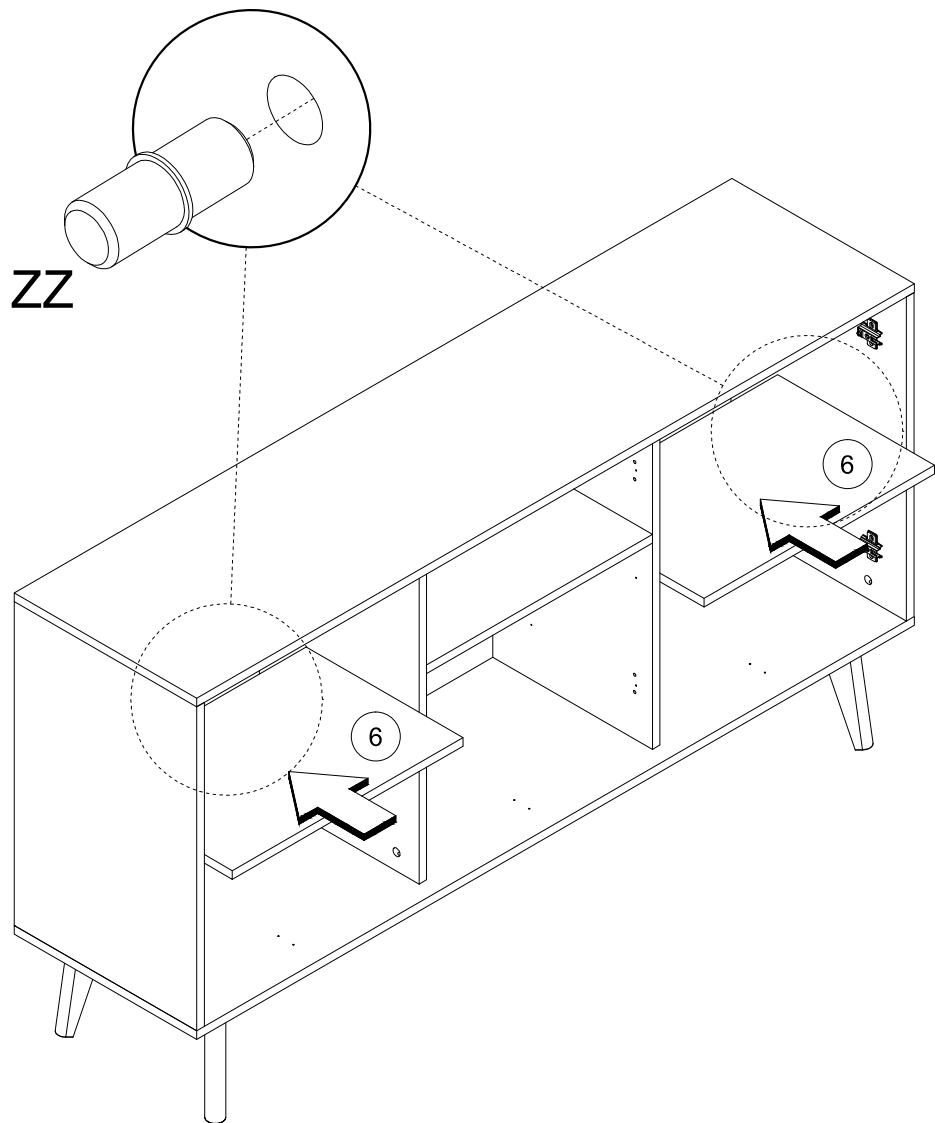


11

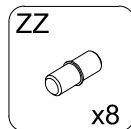




12



ZZ



13

