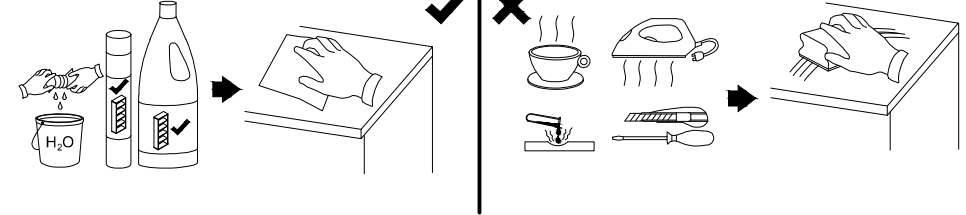
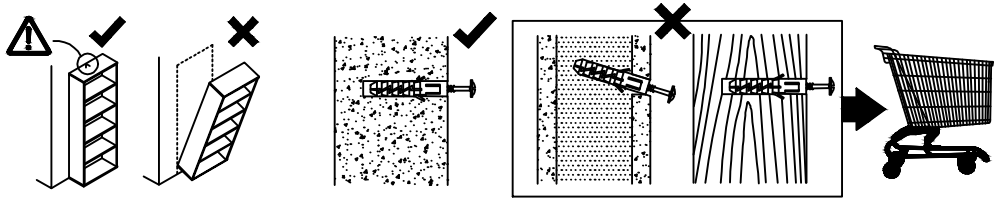
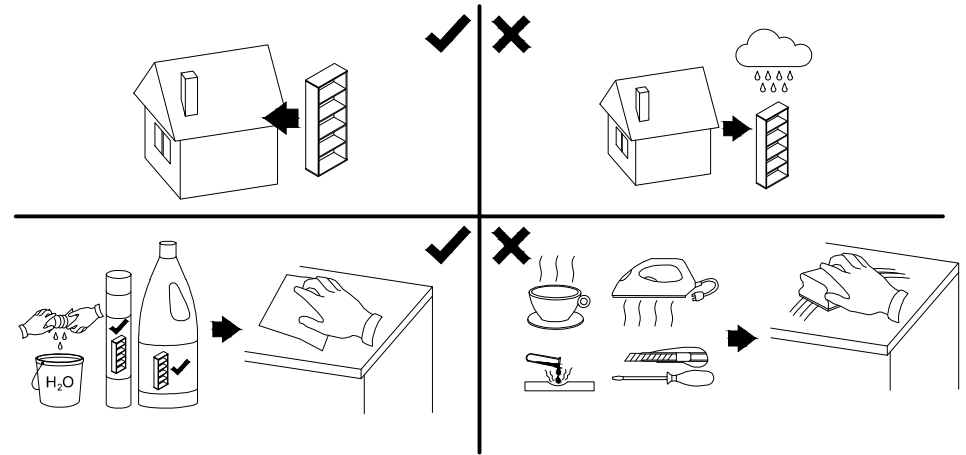
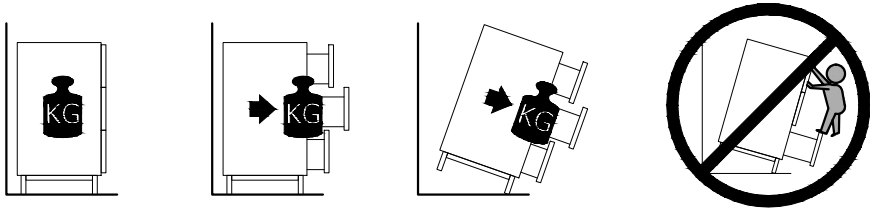
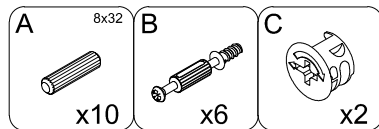
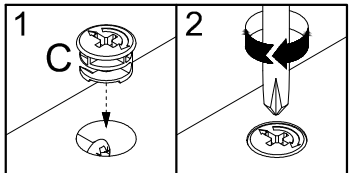
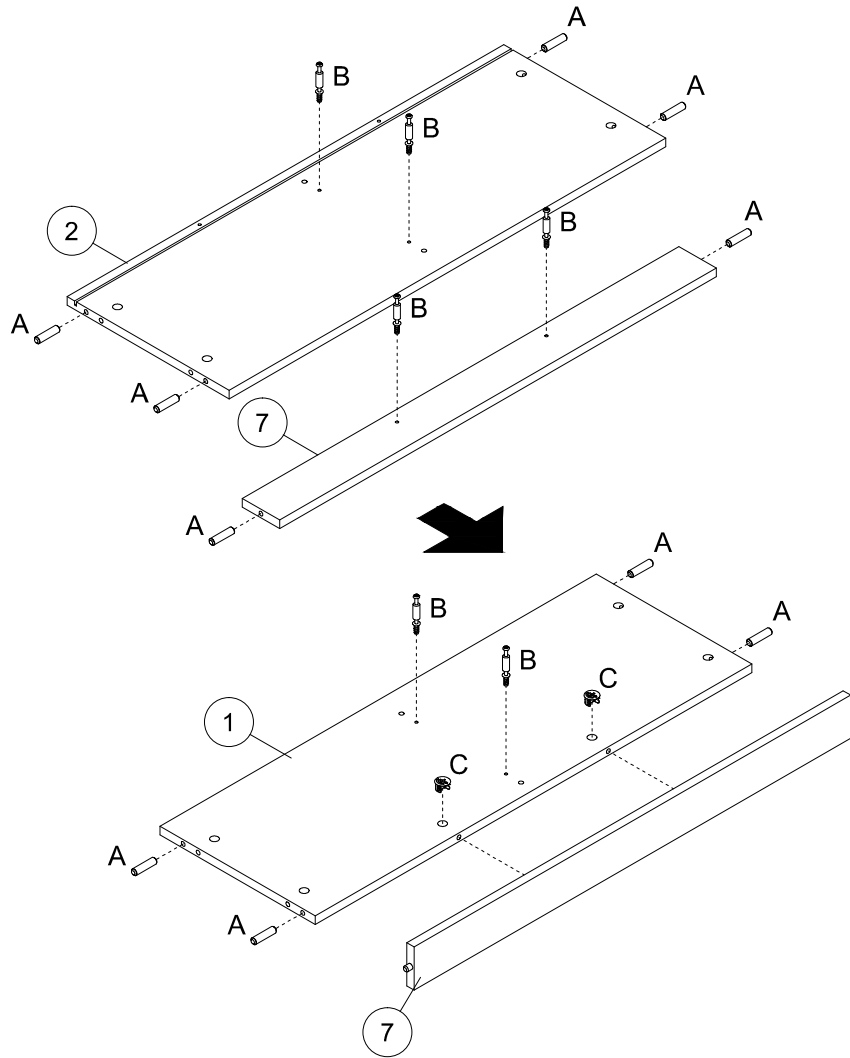
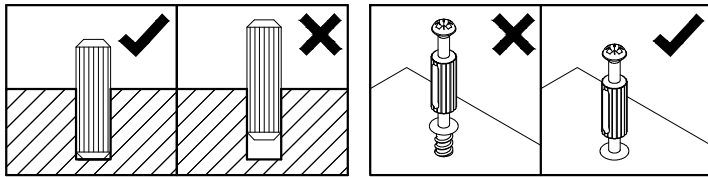


ZE				
x8				
B	C	A	N	KS
x14	x14	x16	x8	x6
NE	ND	W+H2	ST	W
x18	x12	x4	x1	x2
X1	X	Z	ZC	ZZ
x4	x8	x12	x8	x8

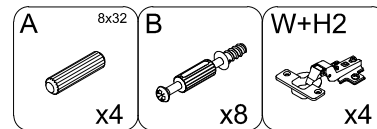
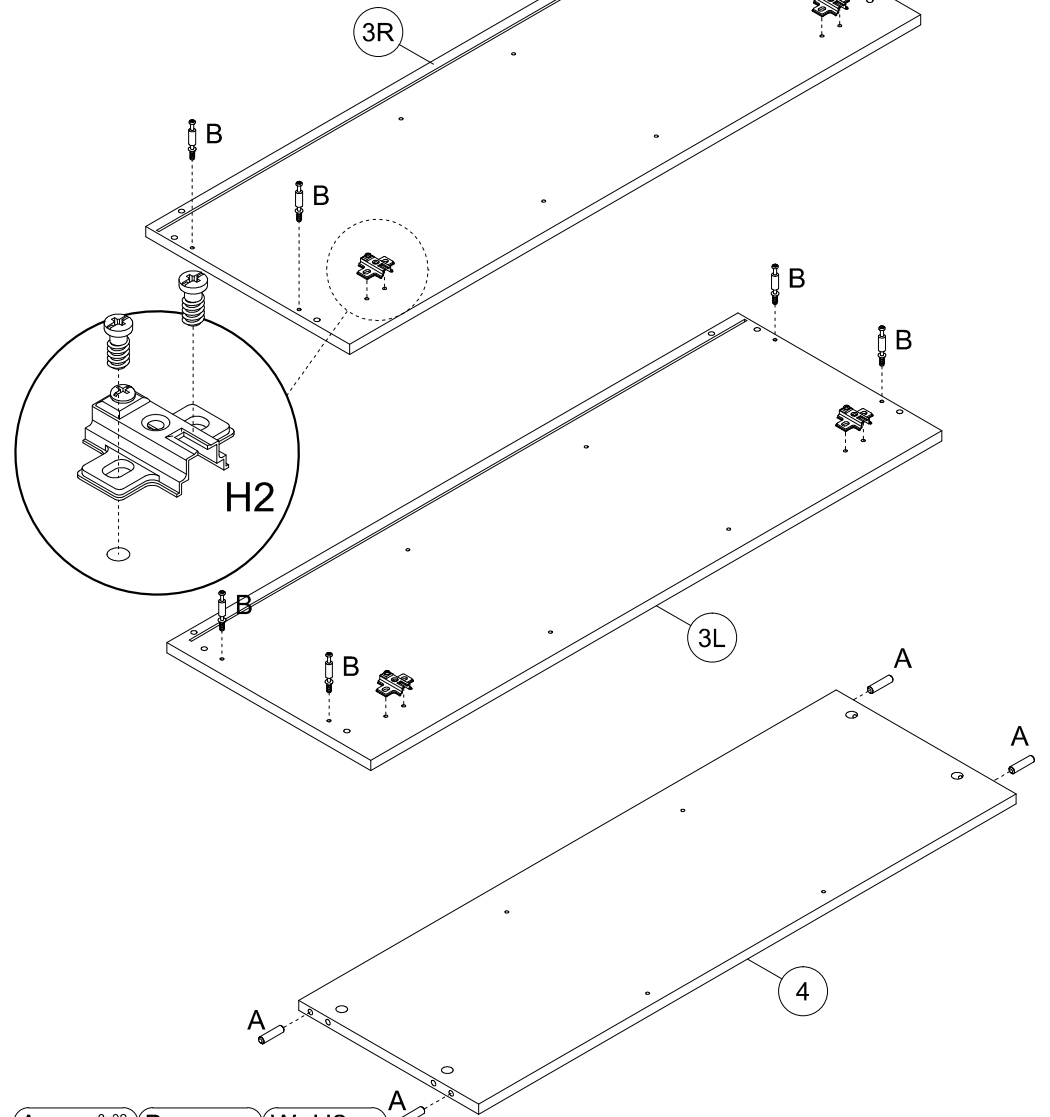
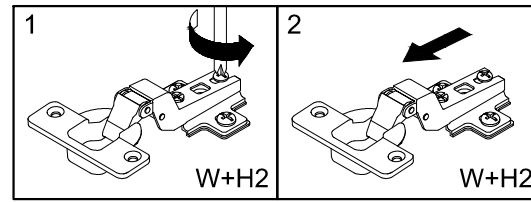
1	935	333	16	x1	3 / 3
2	935	349	16	x1	3 / 3
3L	1025	366	16	x1	2 / 3
3R	1025	366	16	x1	2 / 3
4	977	329	16	x1	3 / 3
5	459	325	16	x2	3 / 3
6	458	315	4	x2	2 / 3
7	935	80	16	x1	3 / 3
8	935	80	16	x1	3 / 3
9	1025	463	16	x1	2 / 3
10	463	208	16	x1	3 / 3
11	463	208	16	x1	3 / 3
12	670	453	4	x1	2 / 3
13	955	472	3	x2	2 / 3



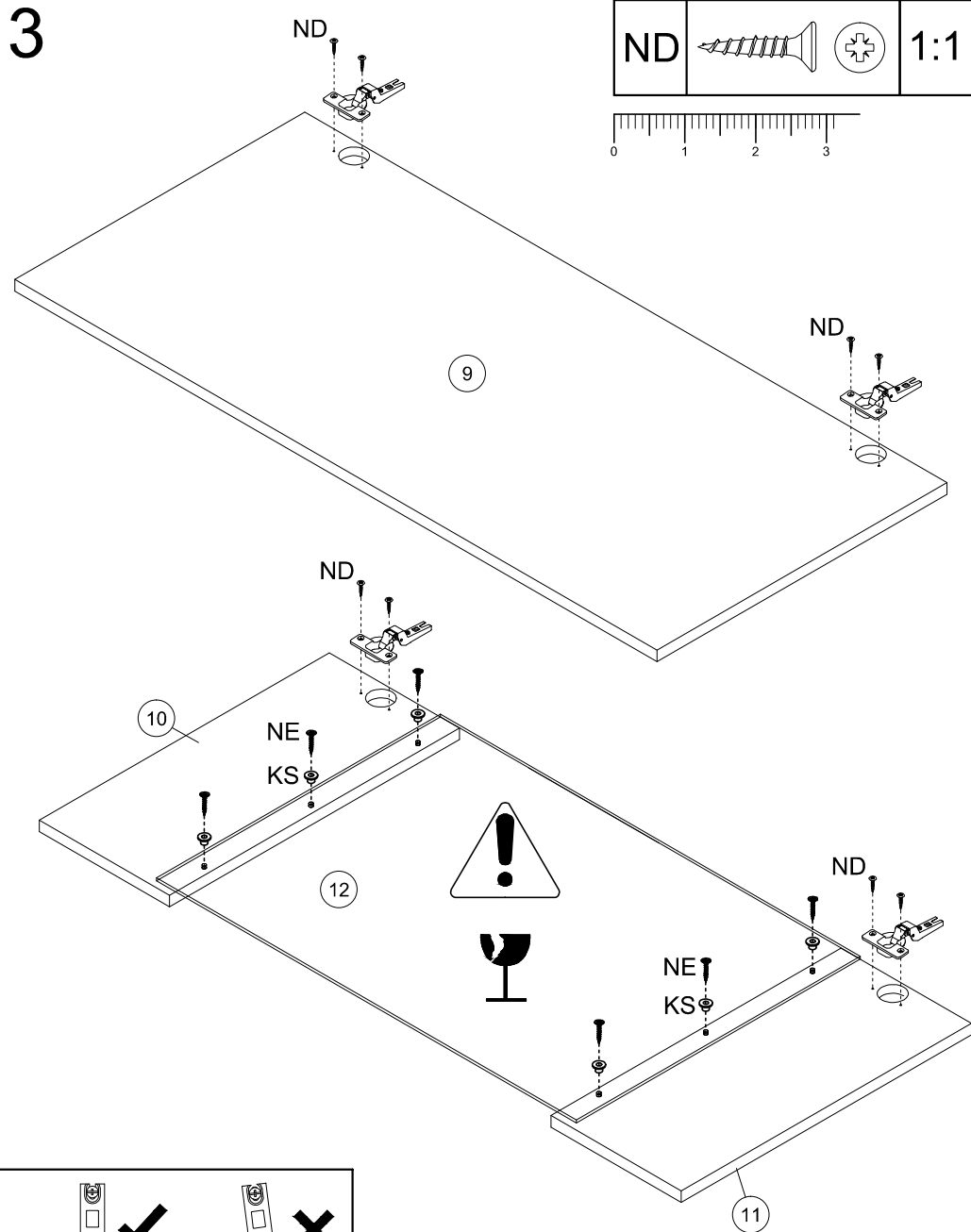
1



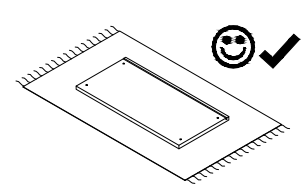
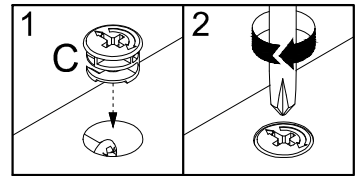
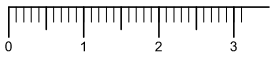
2



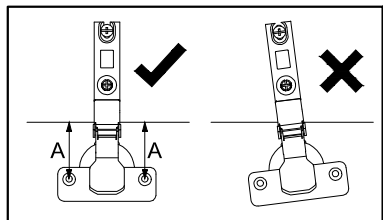
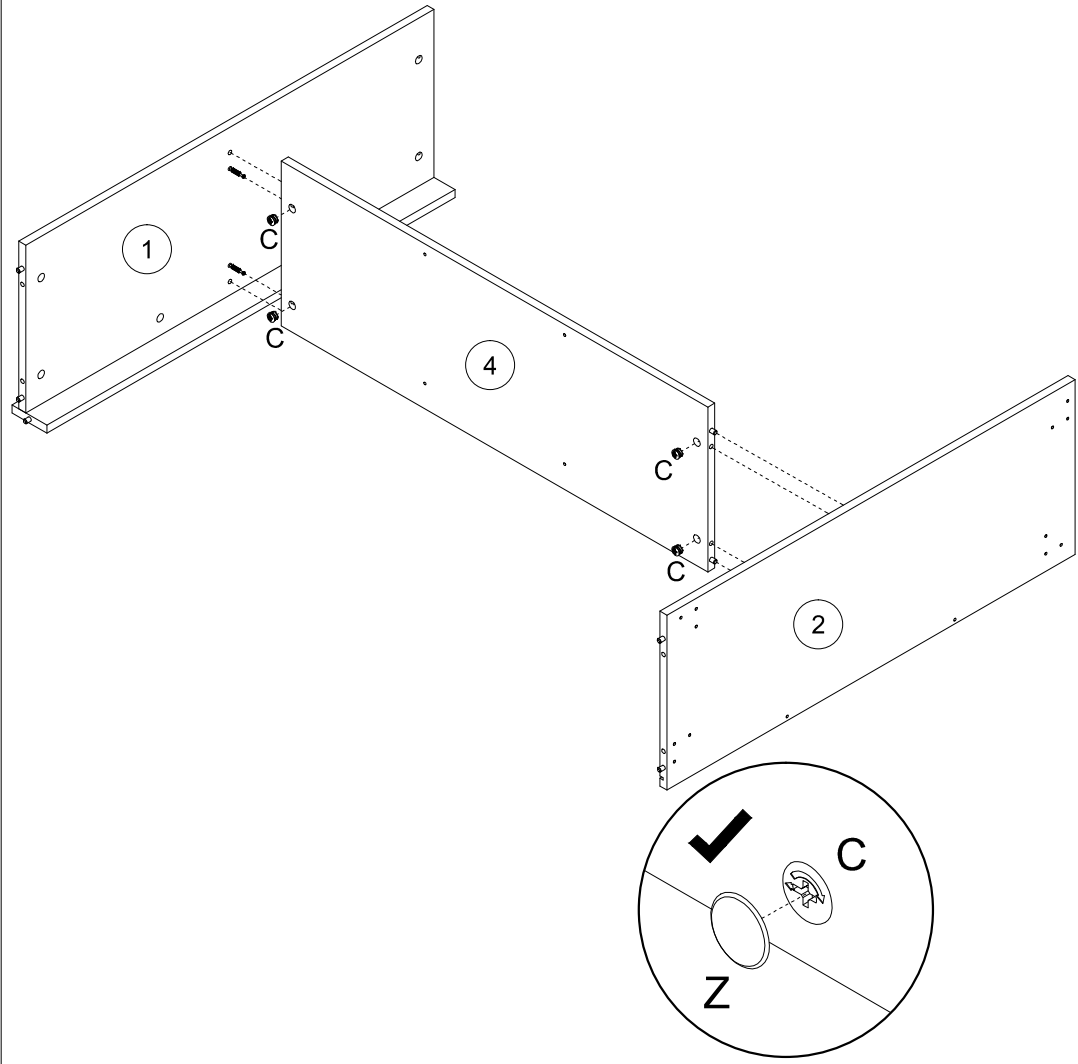
3



ND			1:1
----	--	--	-----



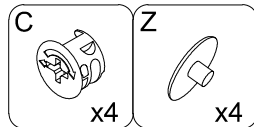
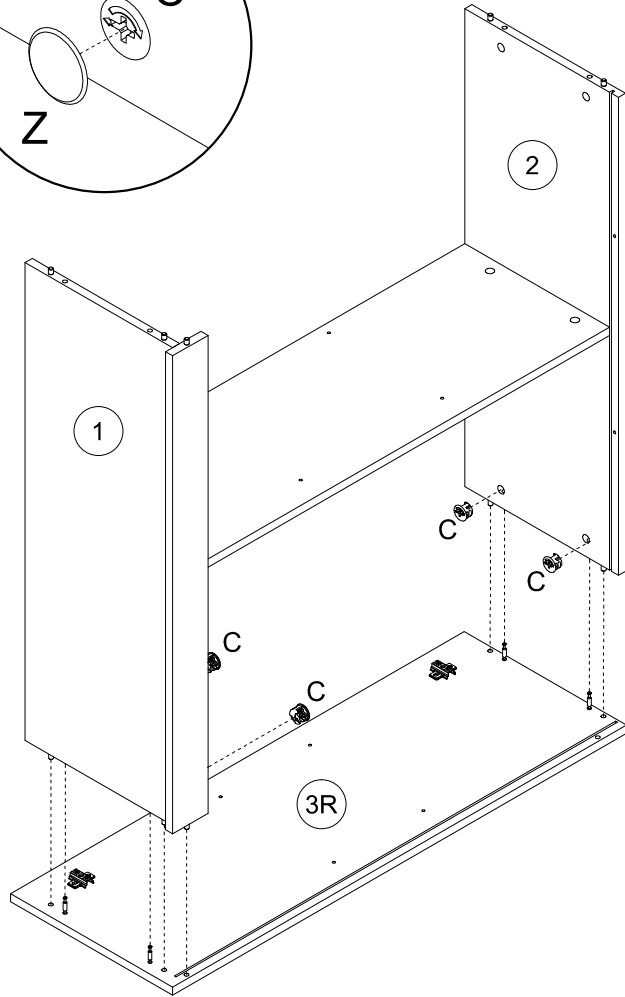
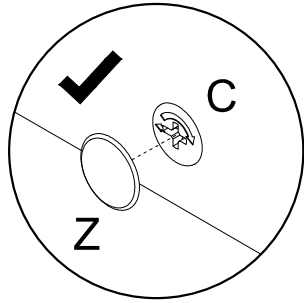
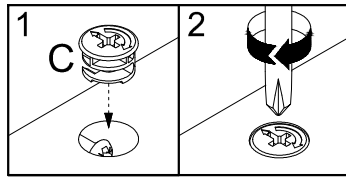
4



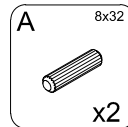
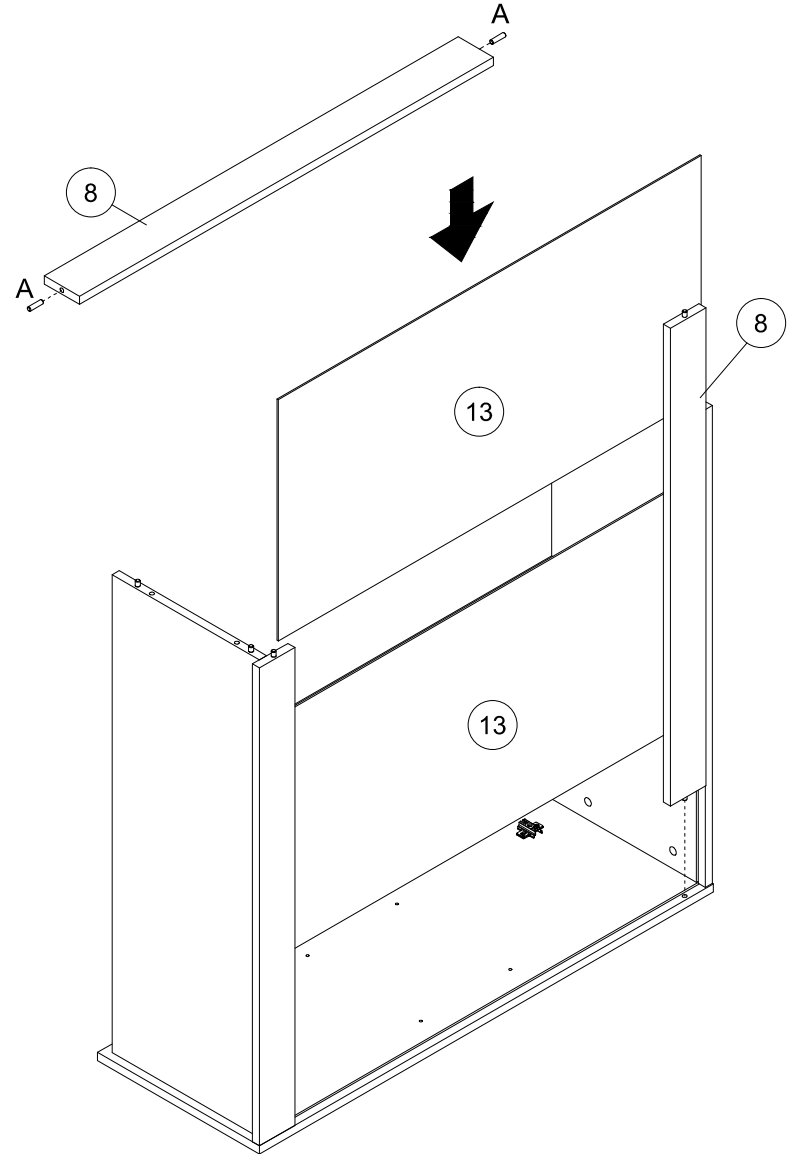
KS	NE 4x16	ND 3.5x16	W+H2
x6	x6	x8	x4

C	Z
x4	x4

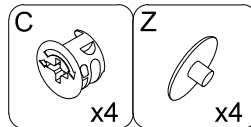
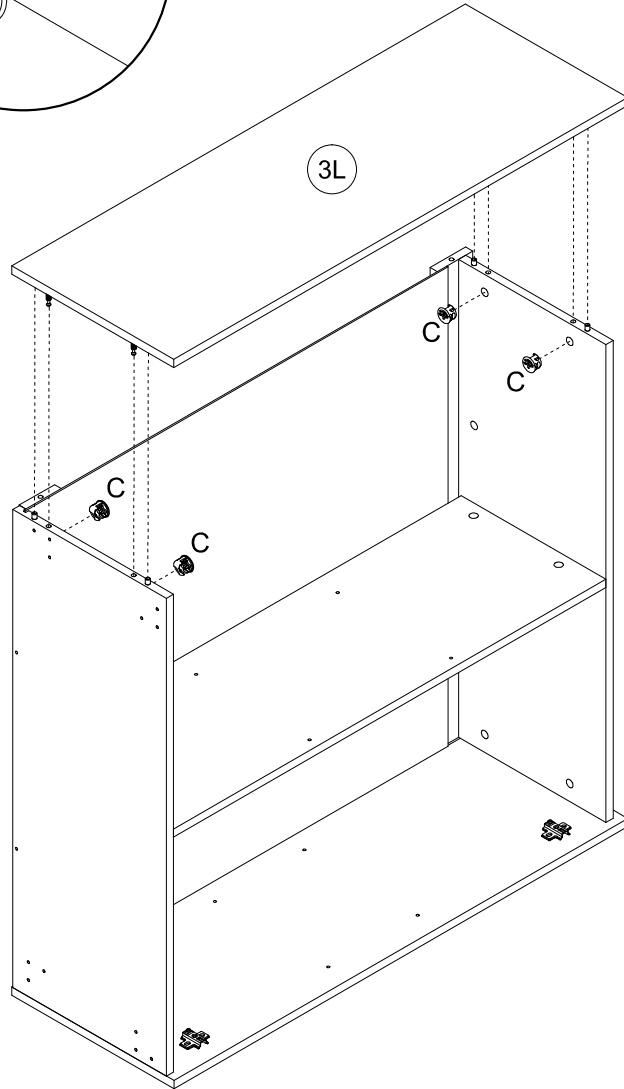
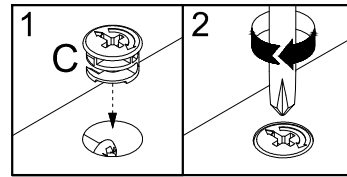
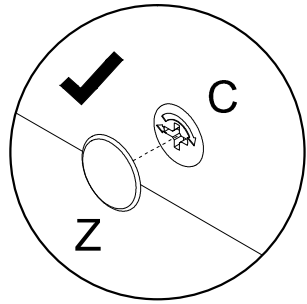
5



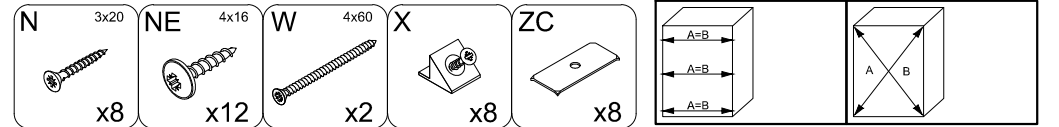
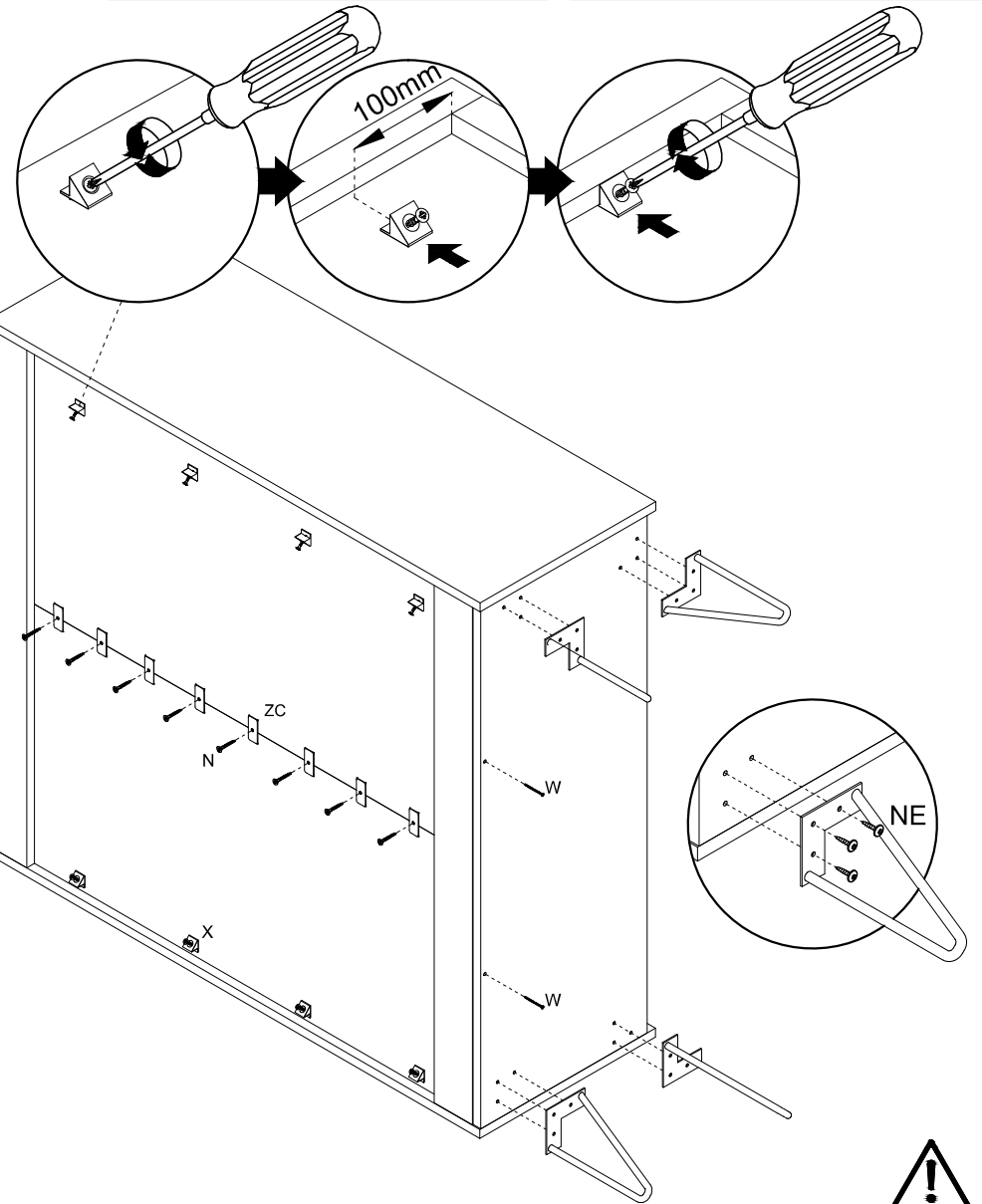
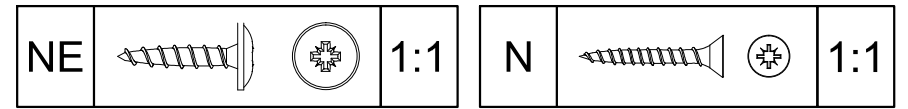
6



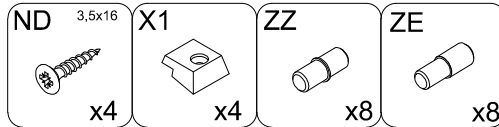
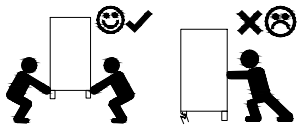
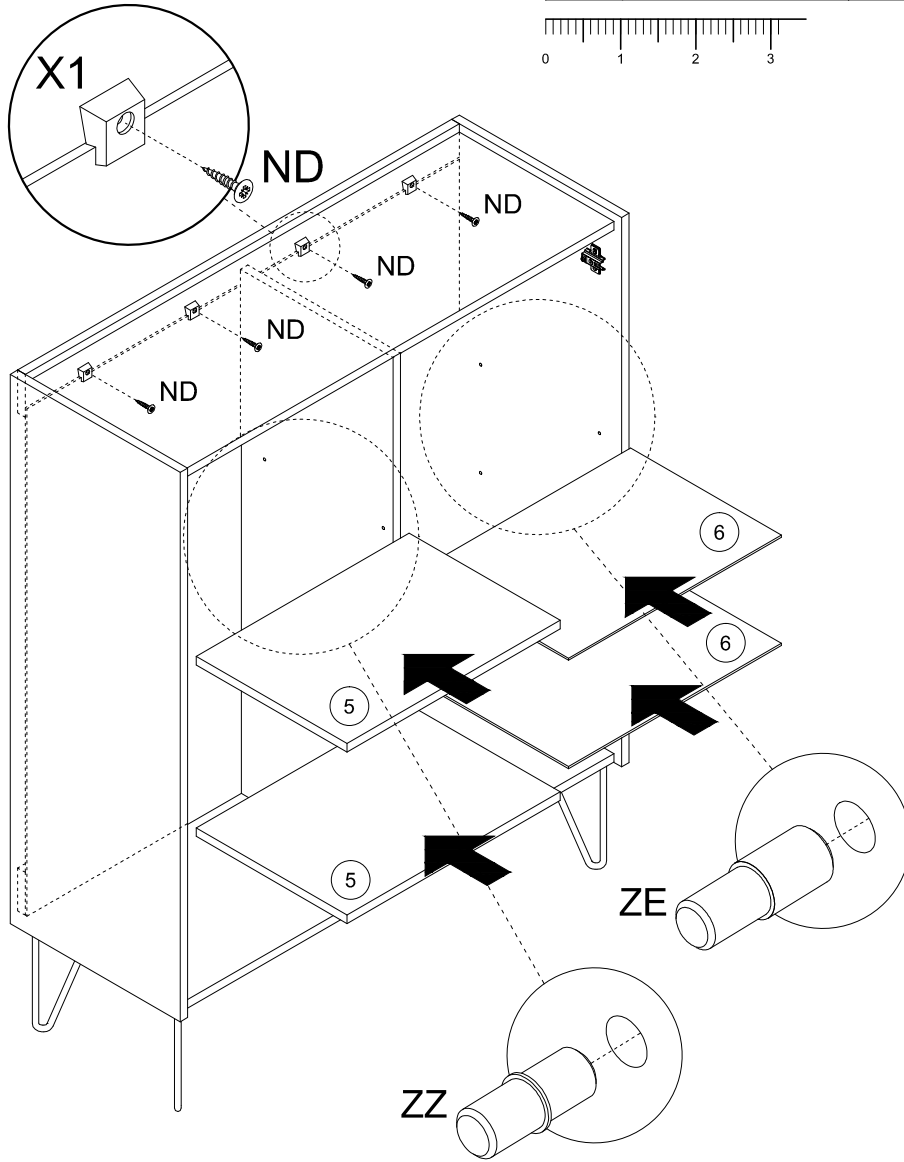
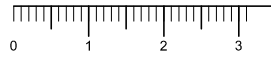
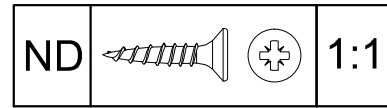
7



8



9



10

