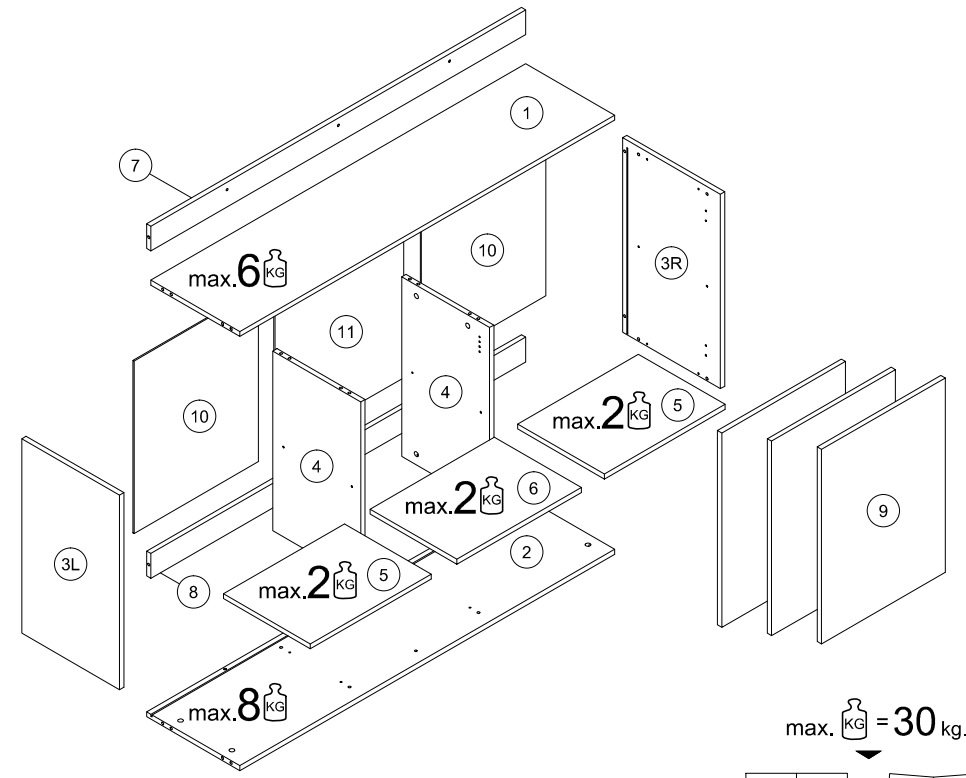
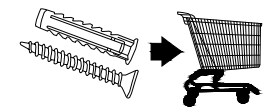
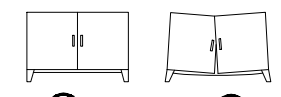


ca.2 H



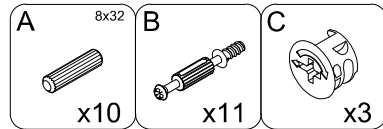
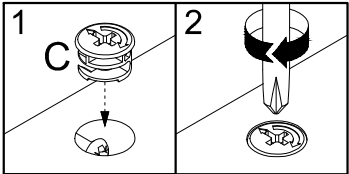
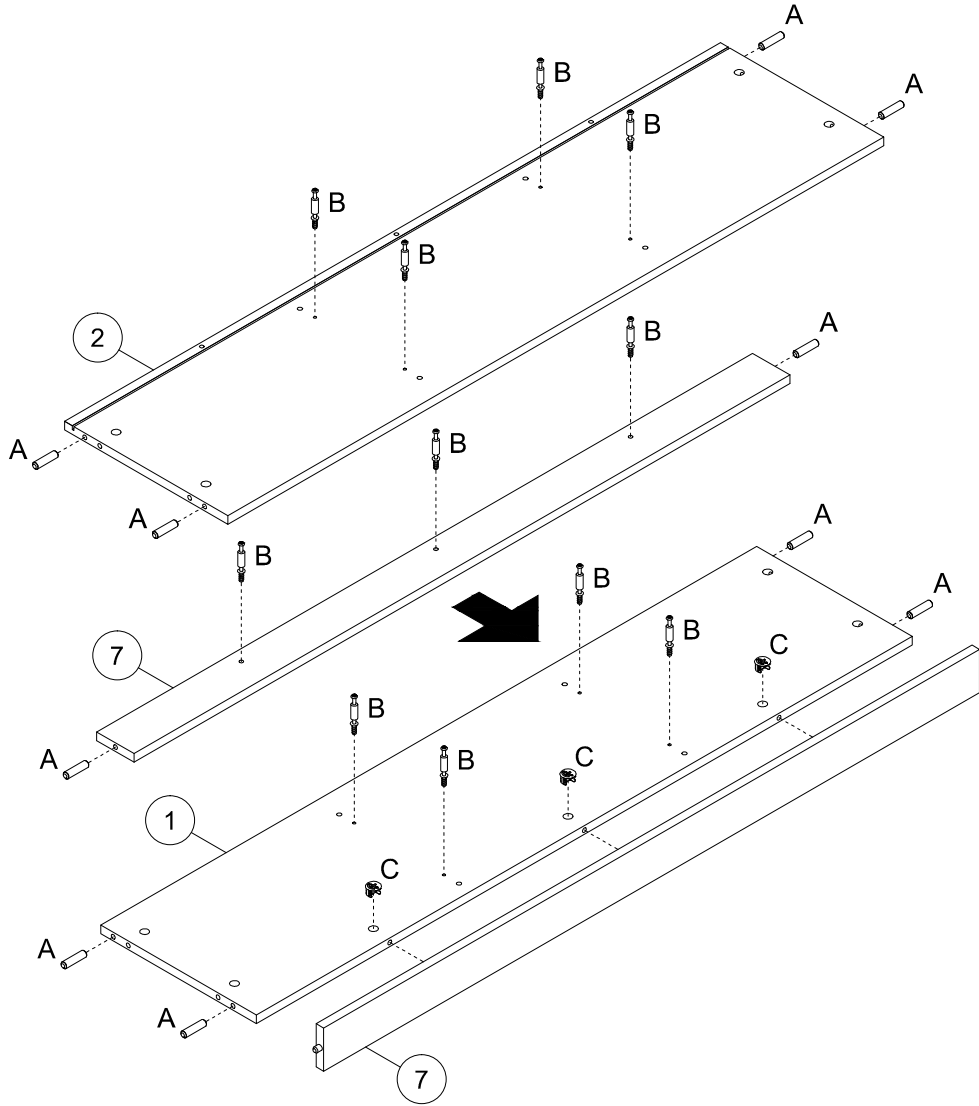
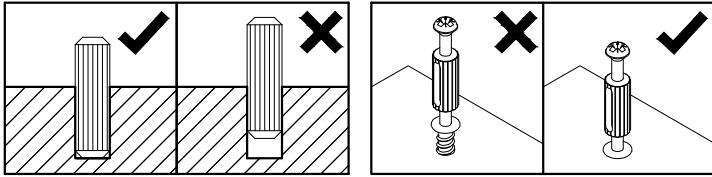
max. ^{KG} = 30 kg.



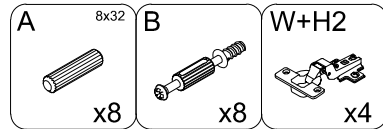
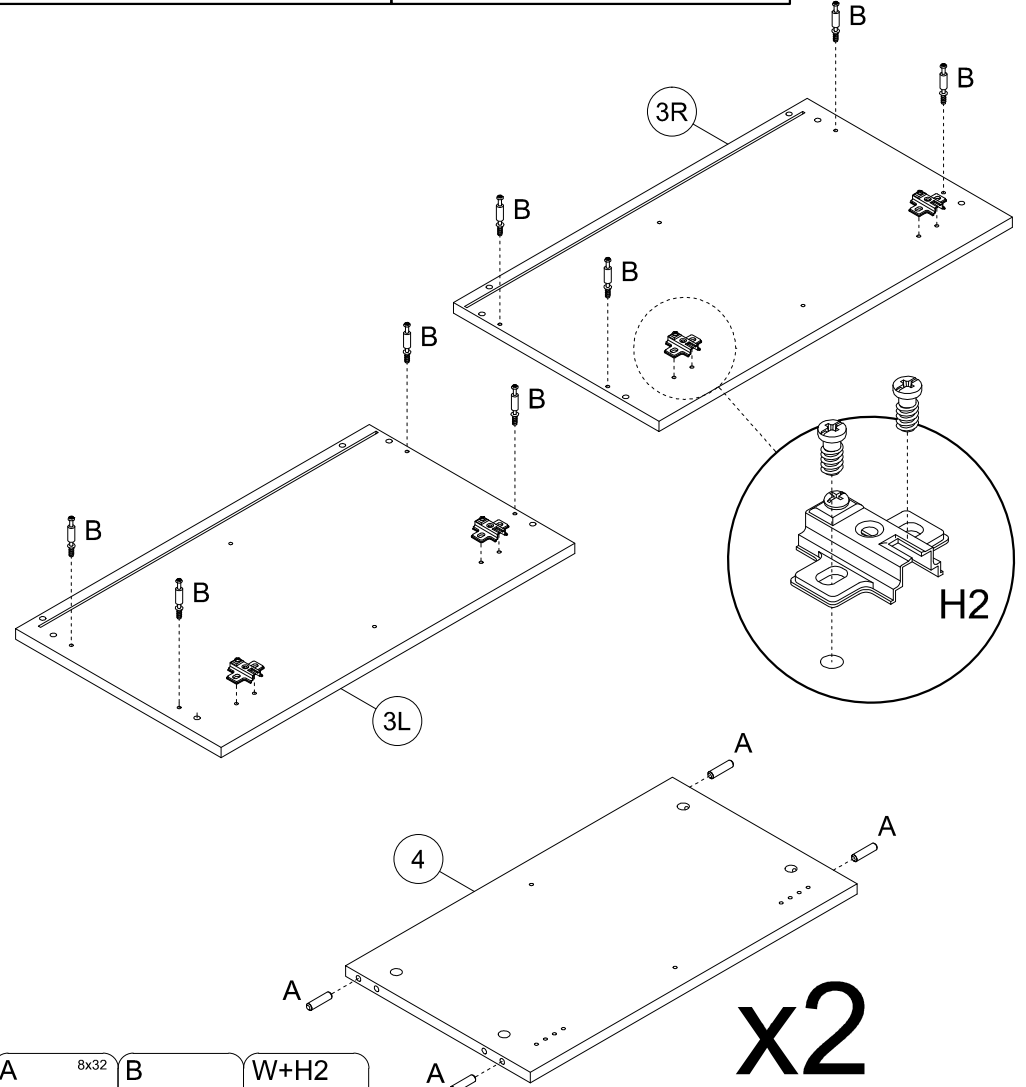
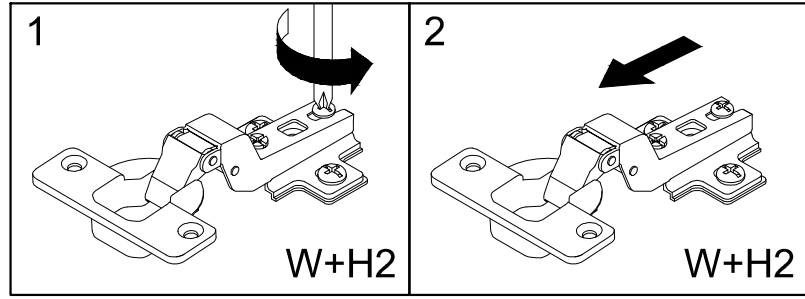
A	8x32	B	3,5x16	C	3x20
	x20		x19		x19
NE	4x16	ND	3,5x16	W+H2	ST
	x12		x18		
X1	X	Z	ZC	ZZ	W
x6	x4	x12	x8	x12	x3

1	1402	333	16	x1	2 / 3
2	1402	349	16	x1	2 / 3
3L	630	366	16	x1	3 / 3
3R	630	366	16	x1	3 / 3
4	582	329	16	x2	2 / 3
5	452	325	16	x2	2 / 3
6	465	325	16	x1	2 / 3
7	1402	80	16	x1	2 / 3
8	1402	80	16	x1	2 / 3
9	630	463	16	x3	3 / 3
10	465	563	2.5	x2	3 / 3
11	482	563	2.5	x1	3 / 3

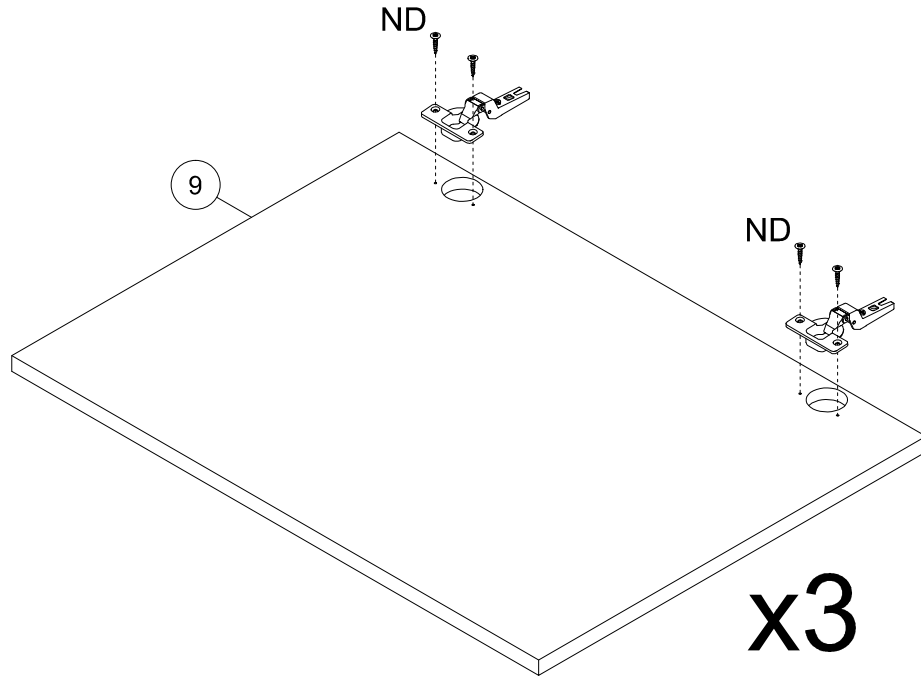
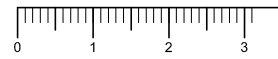
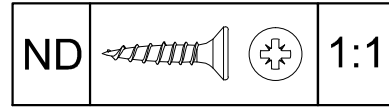
1



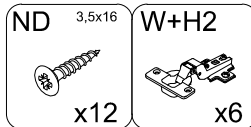
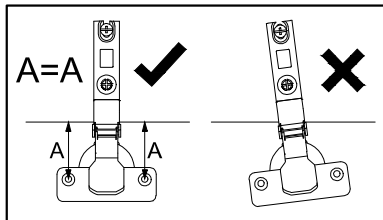
2



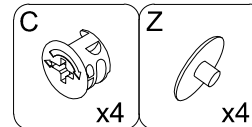
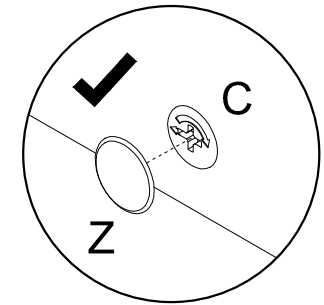
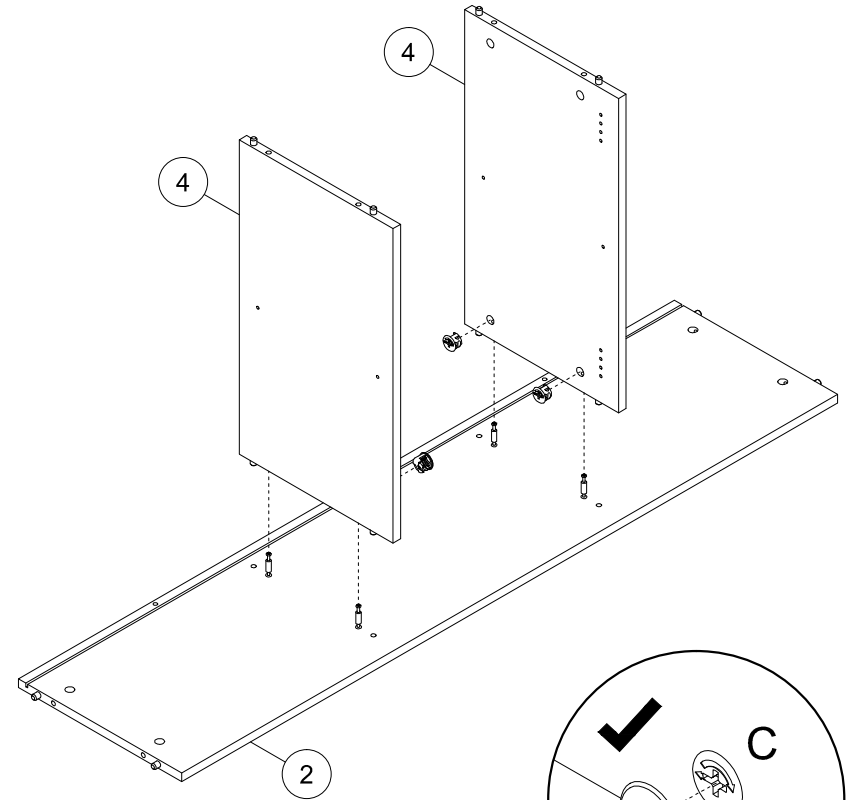
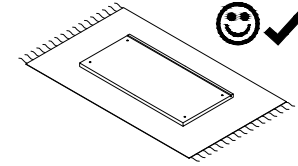
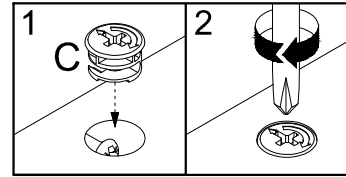
3



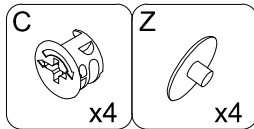
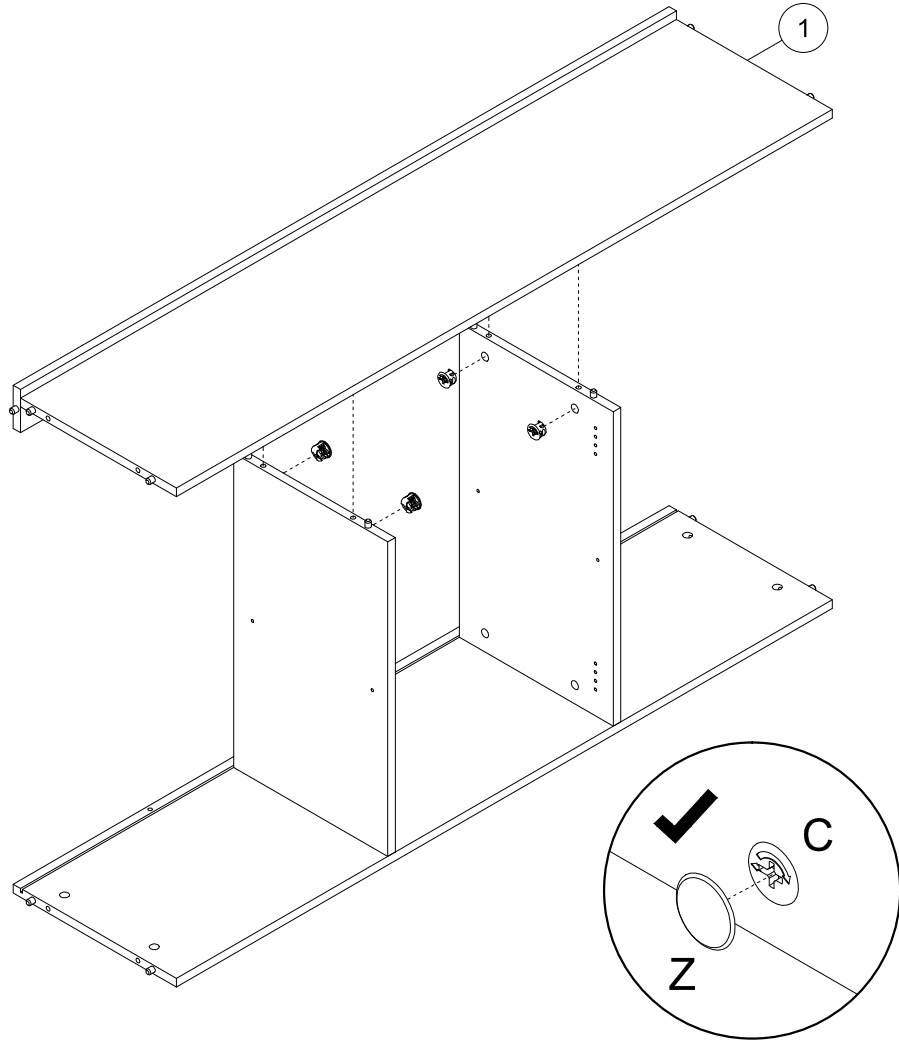
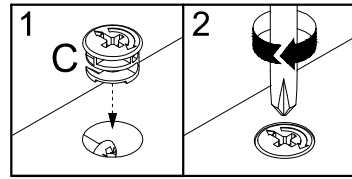
x3



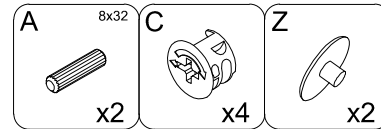
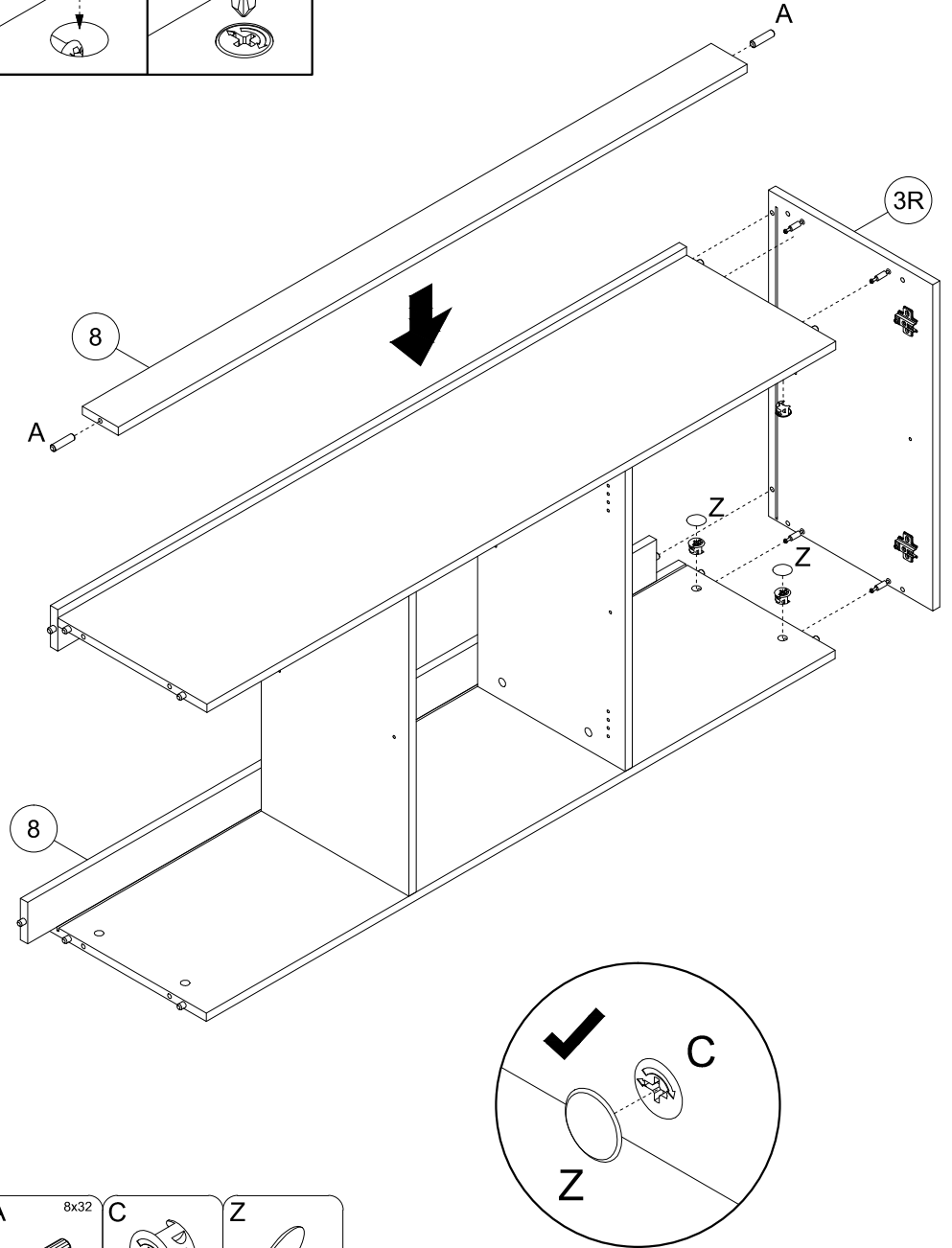
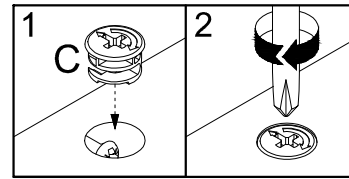
4



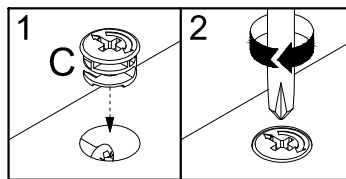
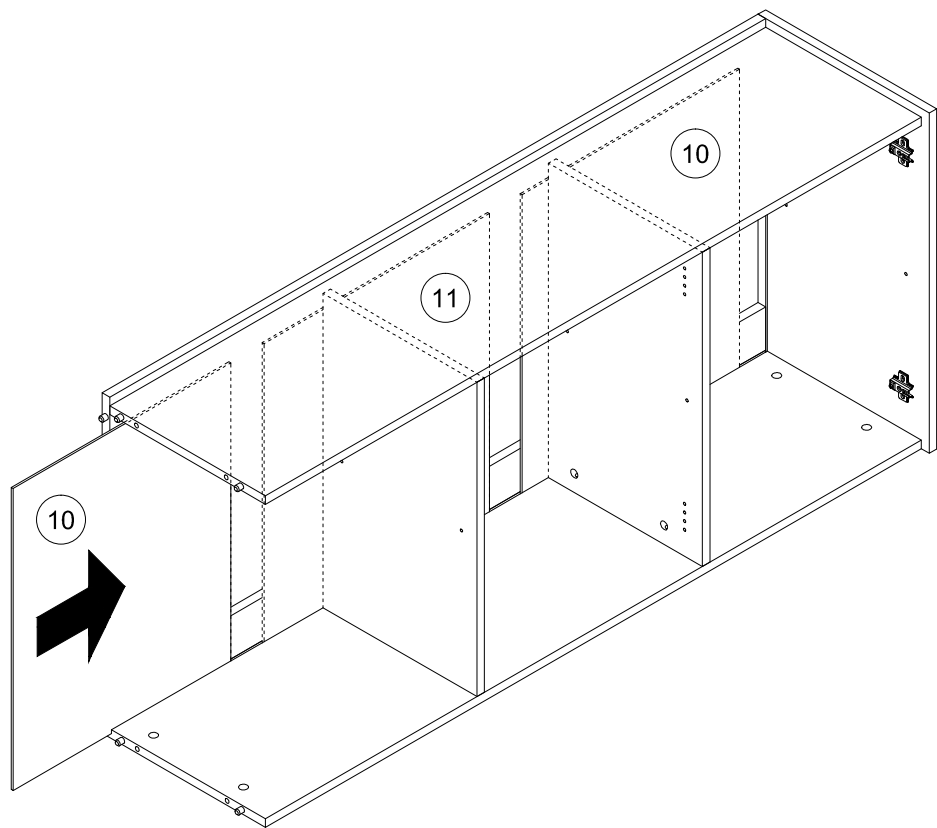
5



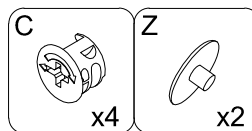
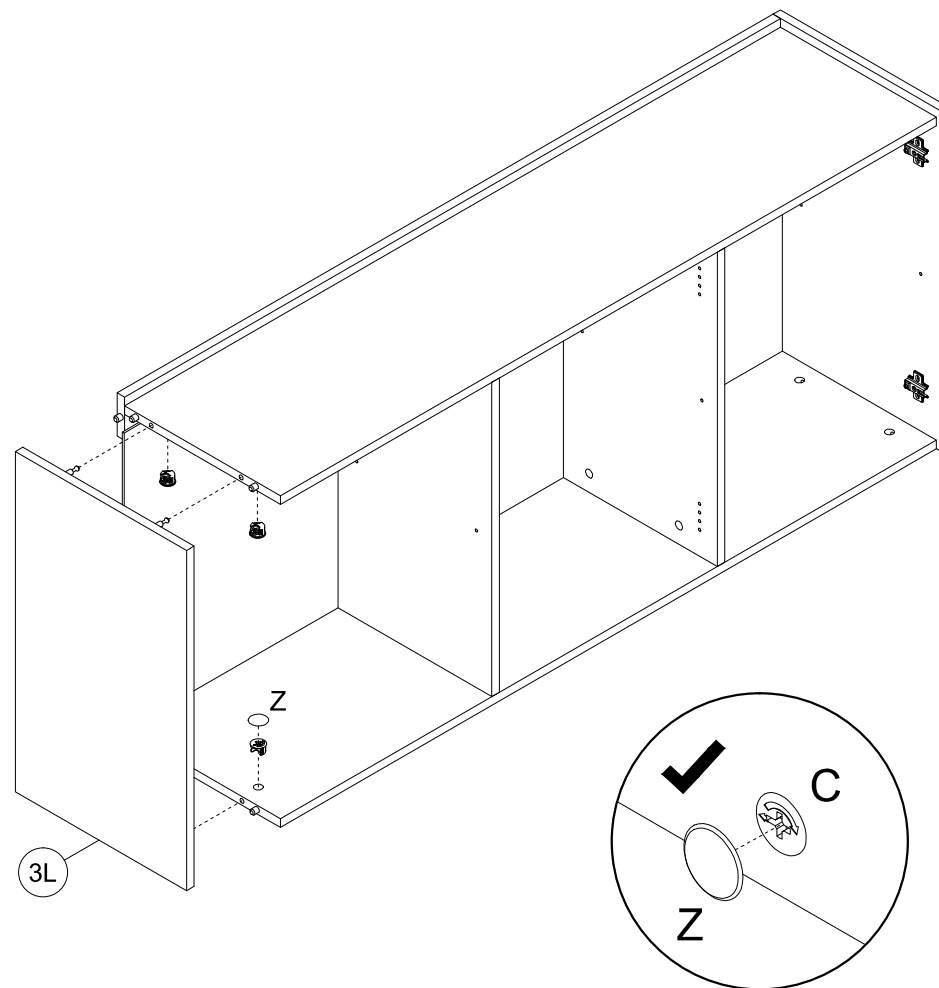
6



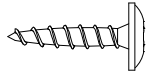

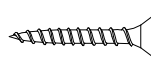
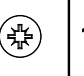
7

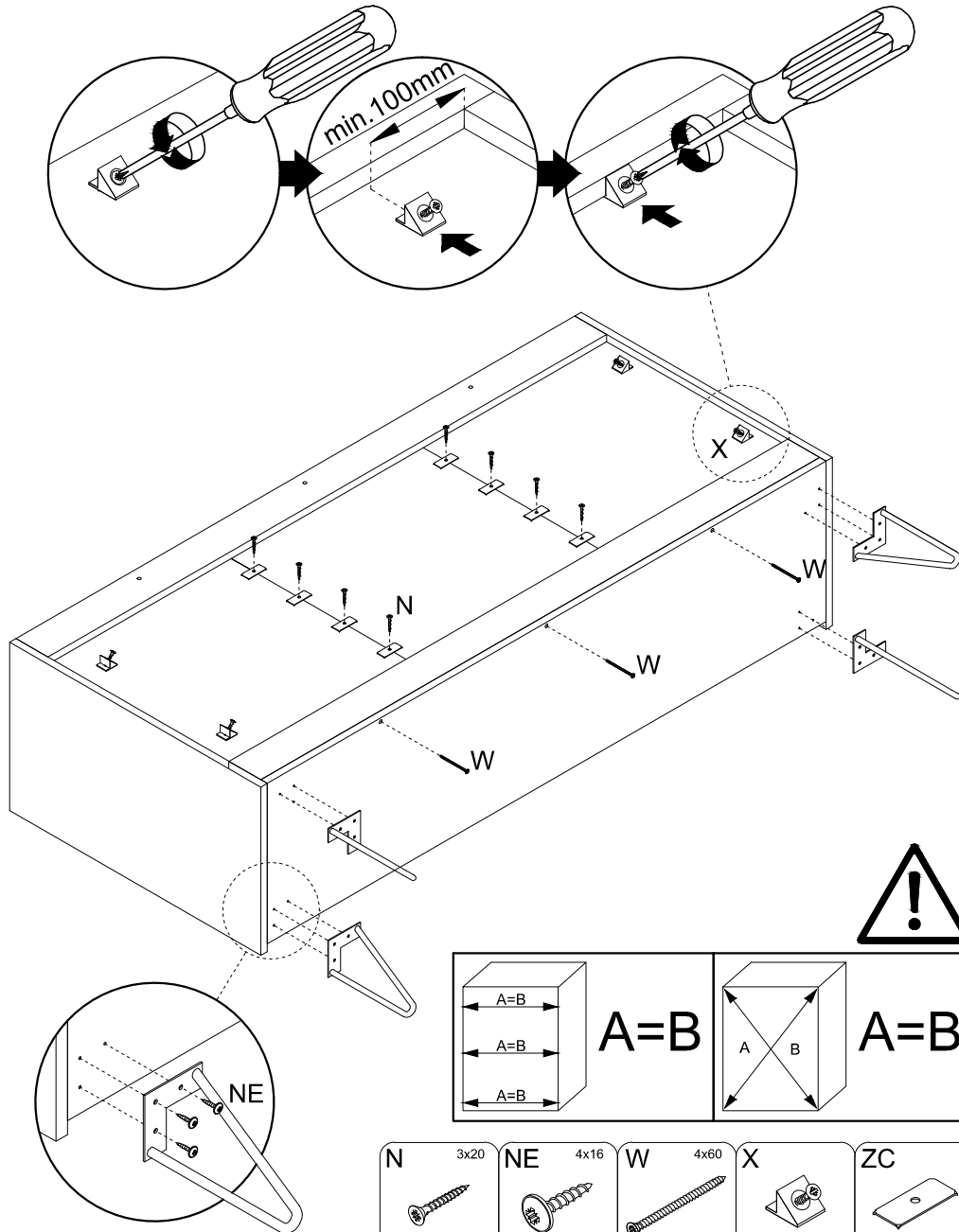







8



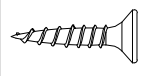
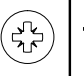
9

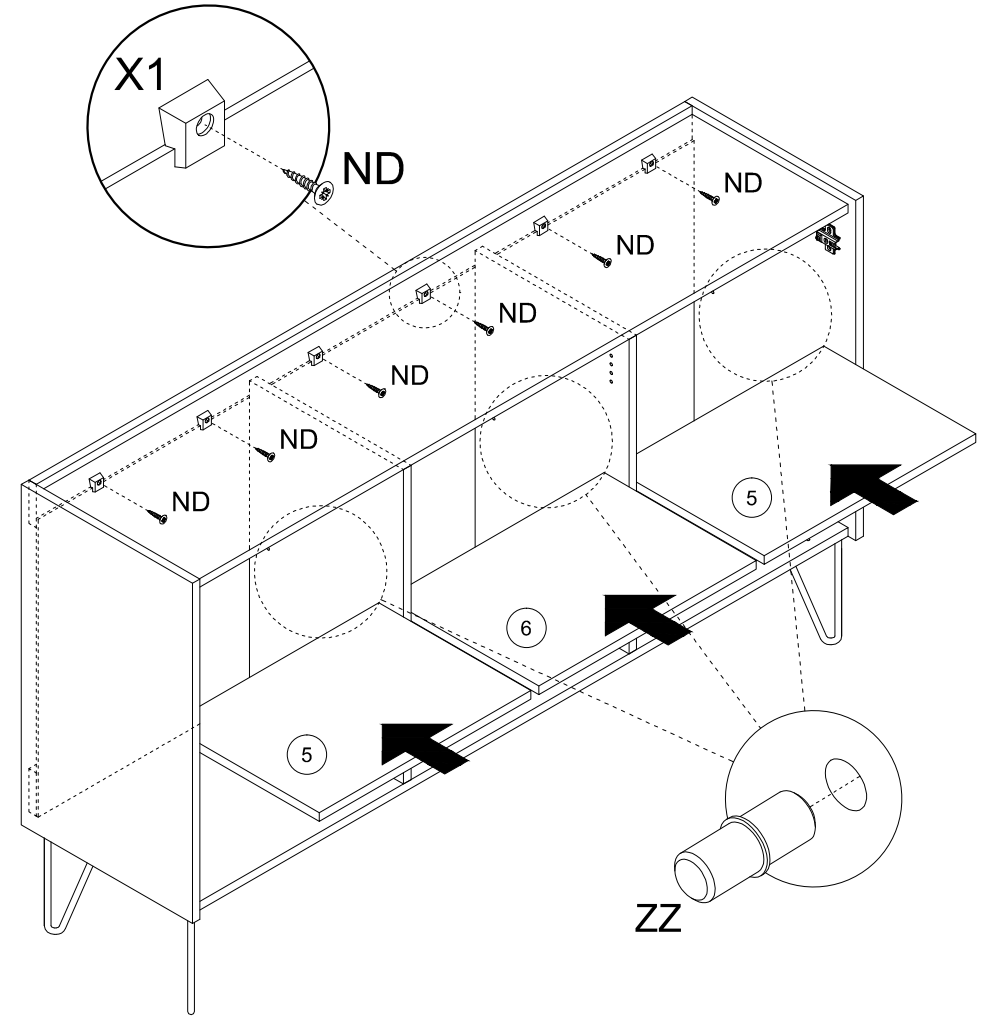
NE			1:1	N			1:1
----	--	--	-----	---	--	---	-----






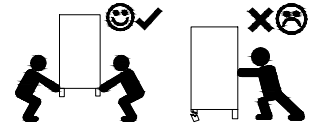
N	3x20	NE	4x16	W	4x60	X	ZC
	x8		x12		x3		
						x4	x8

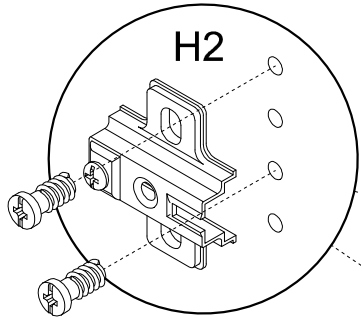
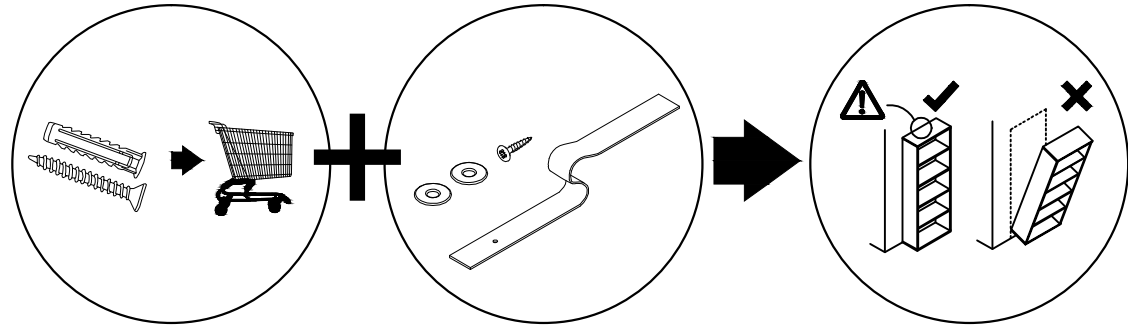
10

ND			1:1
----	--	--	-----



ND	3,5x16	X1	ZZ
	x6		
		x6	x12





H2

