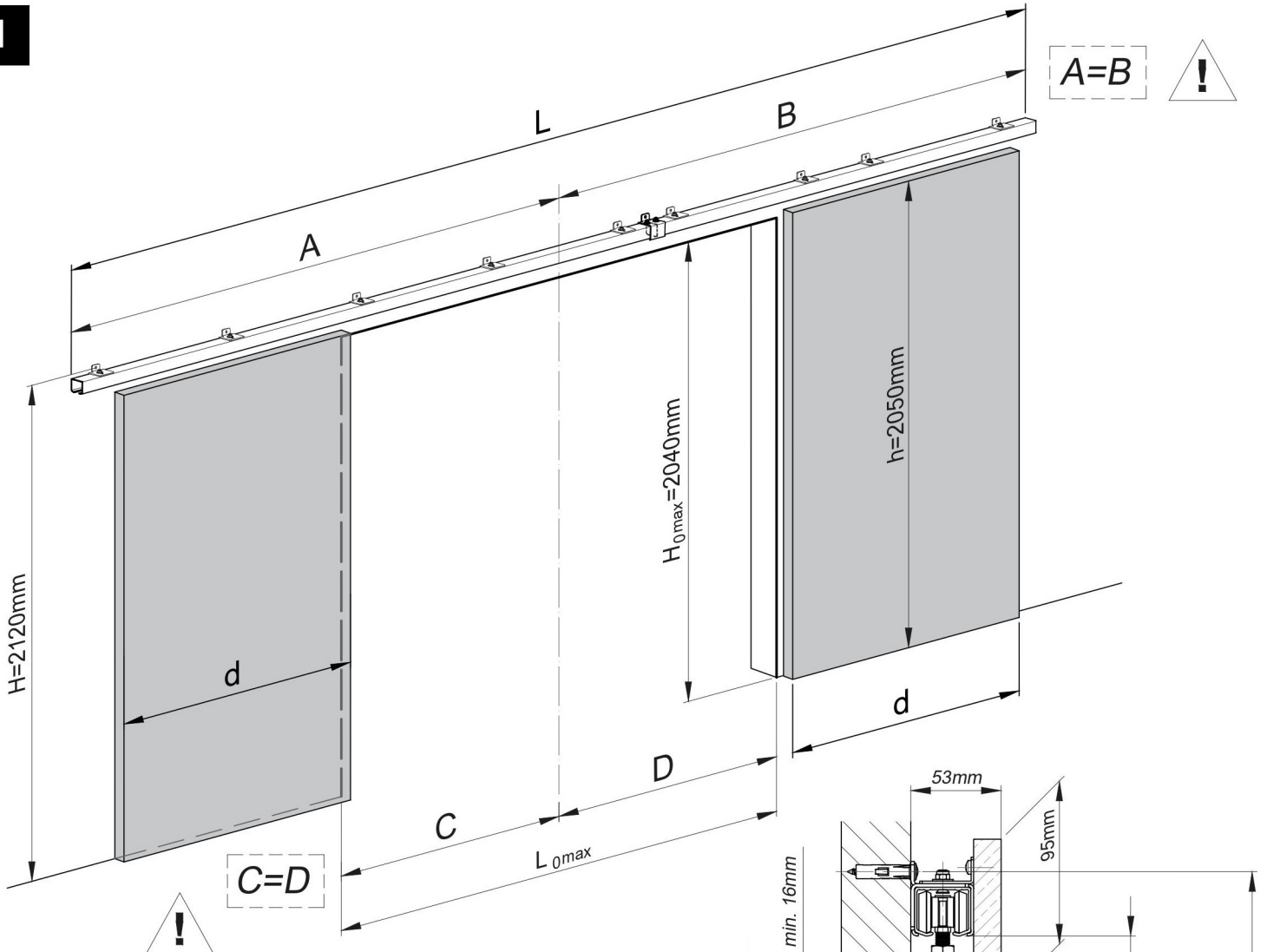
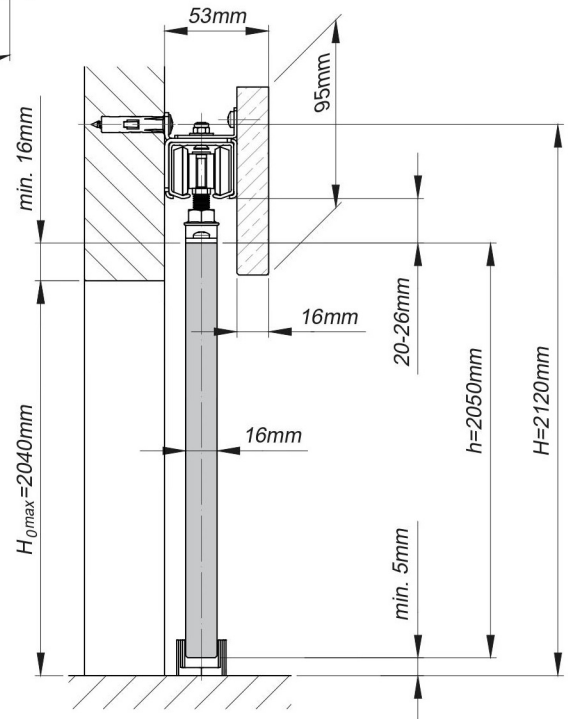
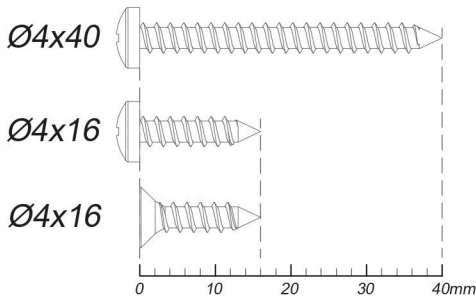


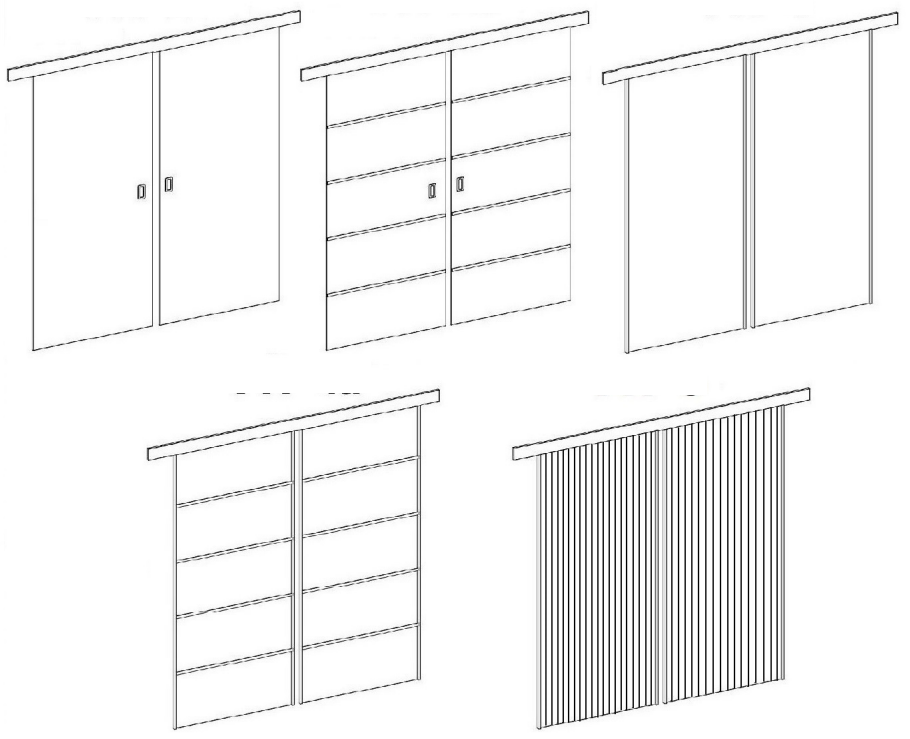
1



L [mm]	2570	2970	3370	4000	
d [mm] x2	660 "120"	760 "140"	860 "160"	960 "180"	1060 "200"
L <sub>0max</sub> [mm]	1260	1460	1660	1860	2060

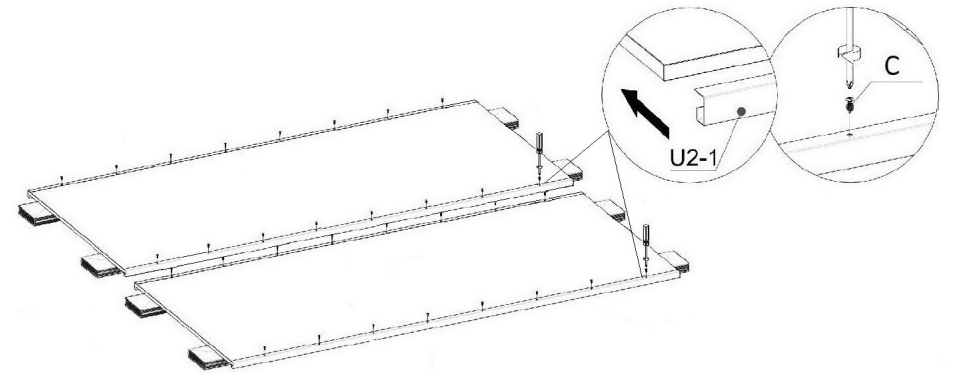
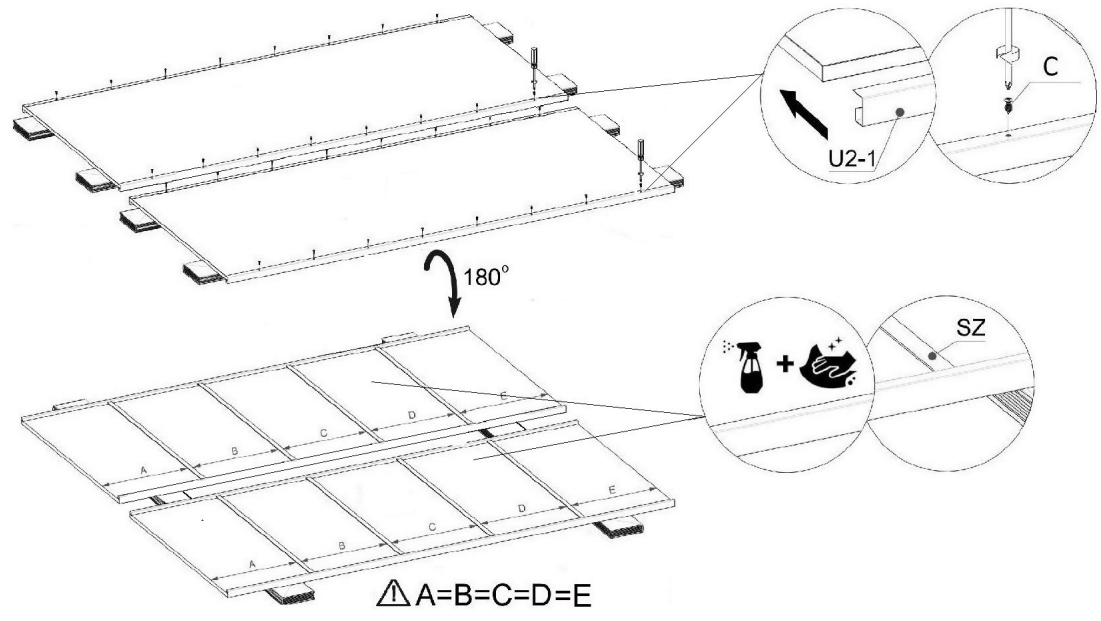
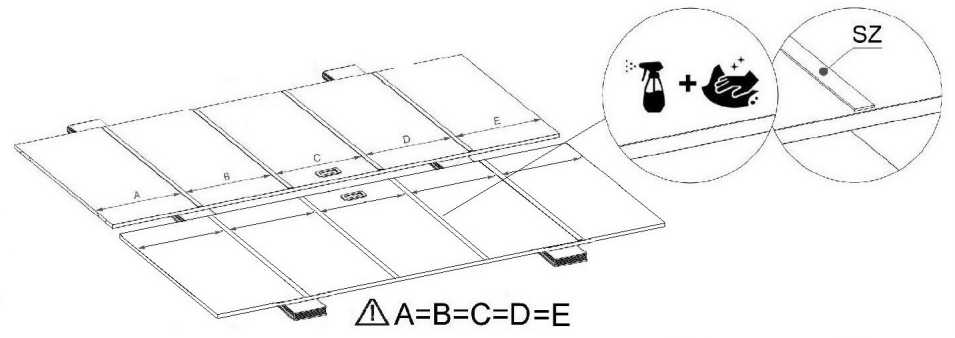
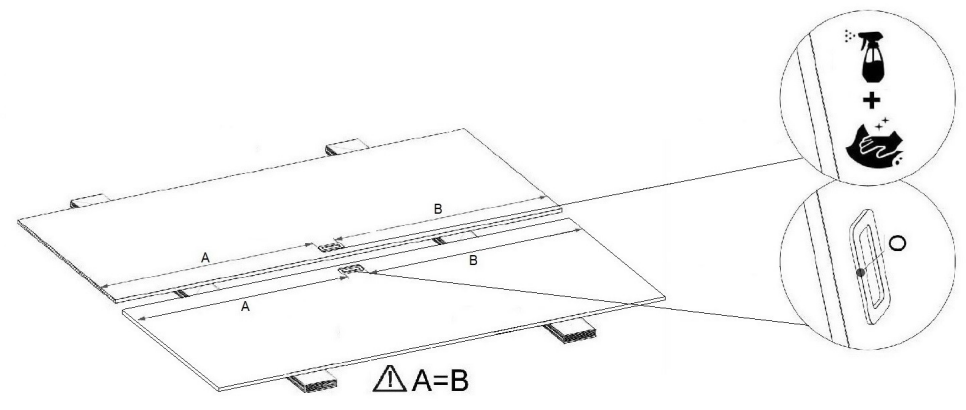


2

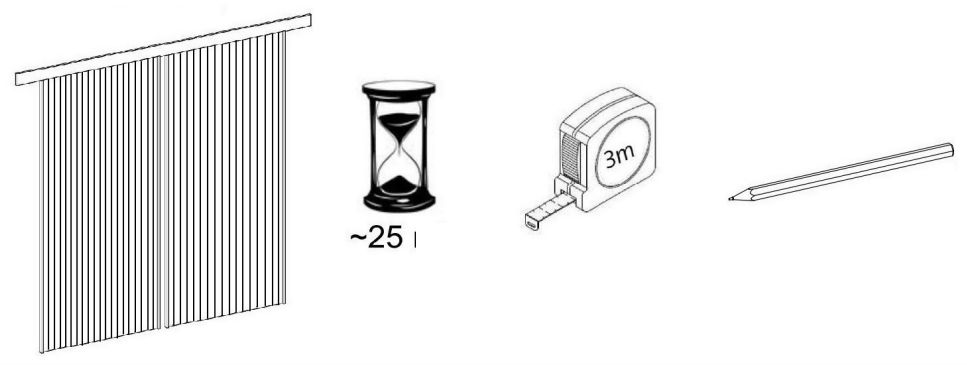


2a

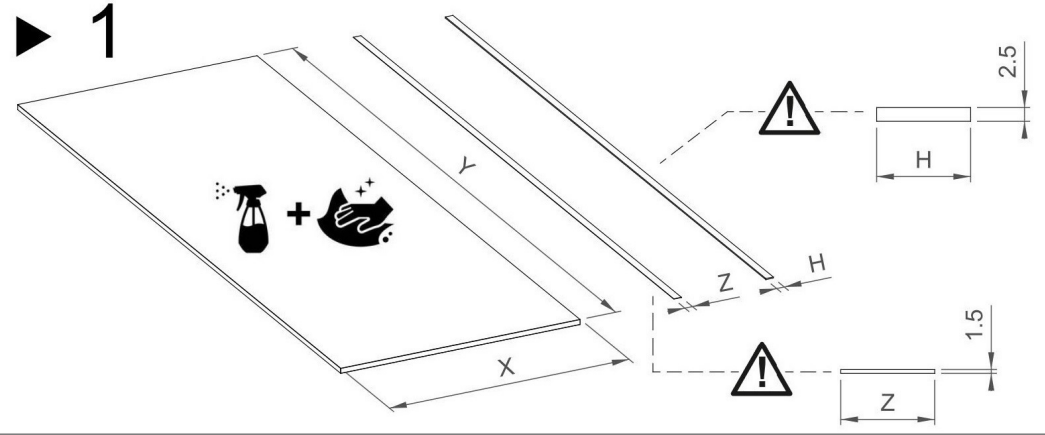
- O TYP 2 TYP 2a 2
- U2 4kpl U2-1 x1 + TYP 4 TYP 4a Cx8
- SZ TYP 4a TYP 2a 8



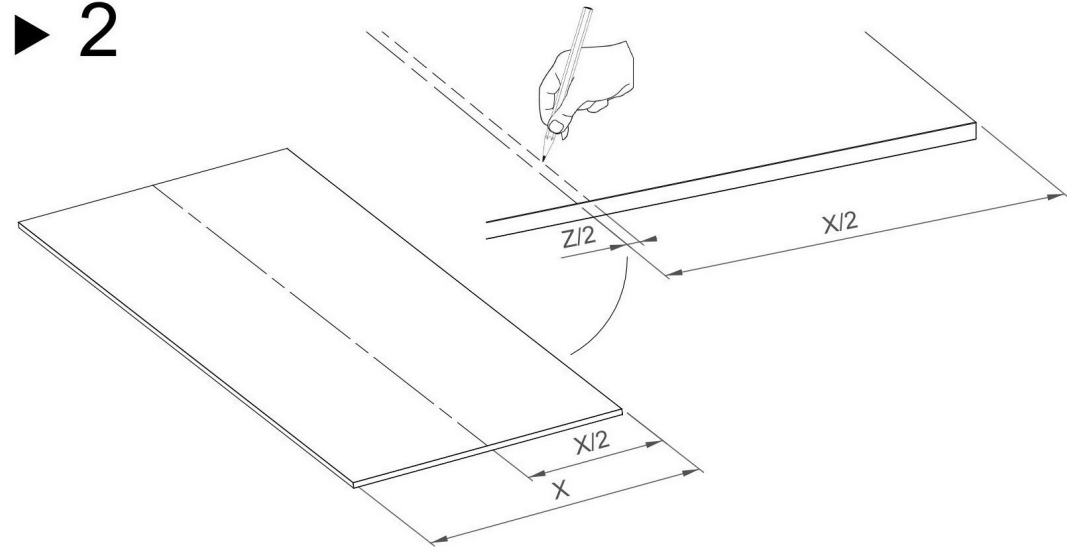
2b



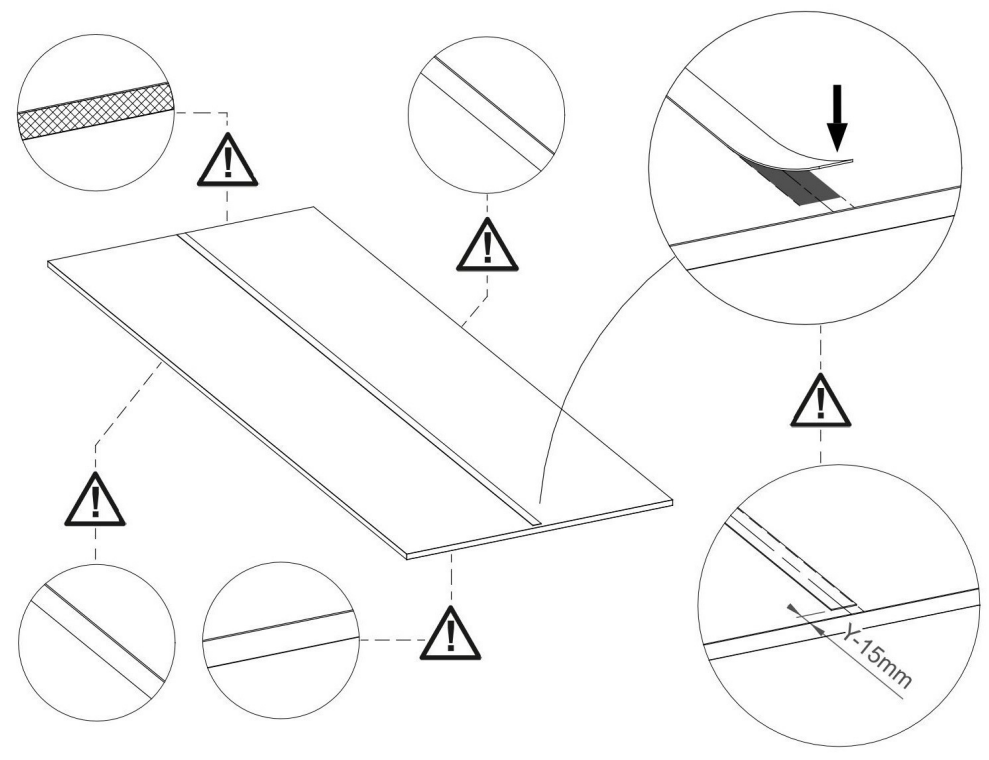
▶ 1



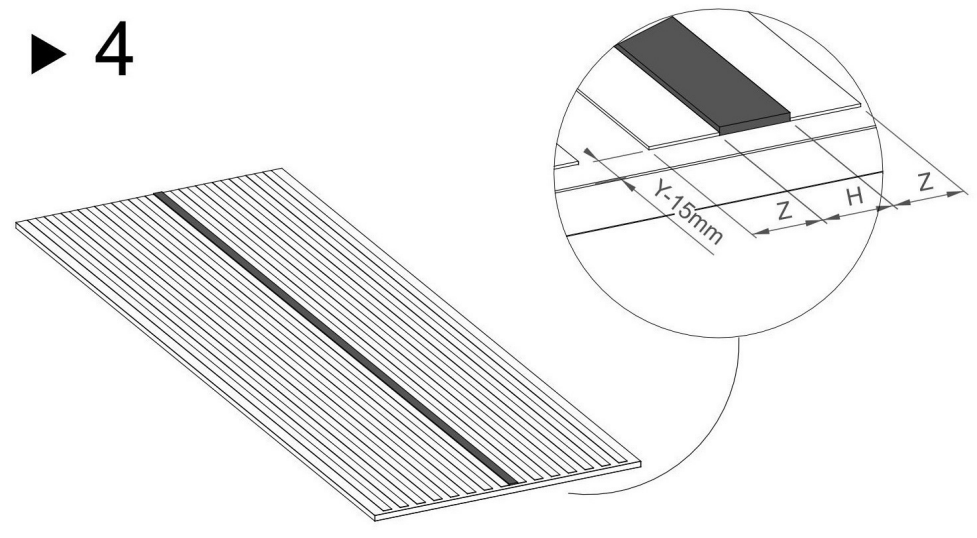
▶ 2



▶ 3



▶ 4





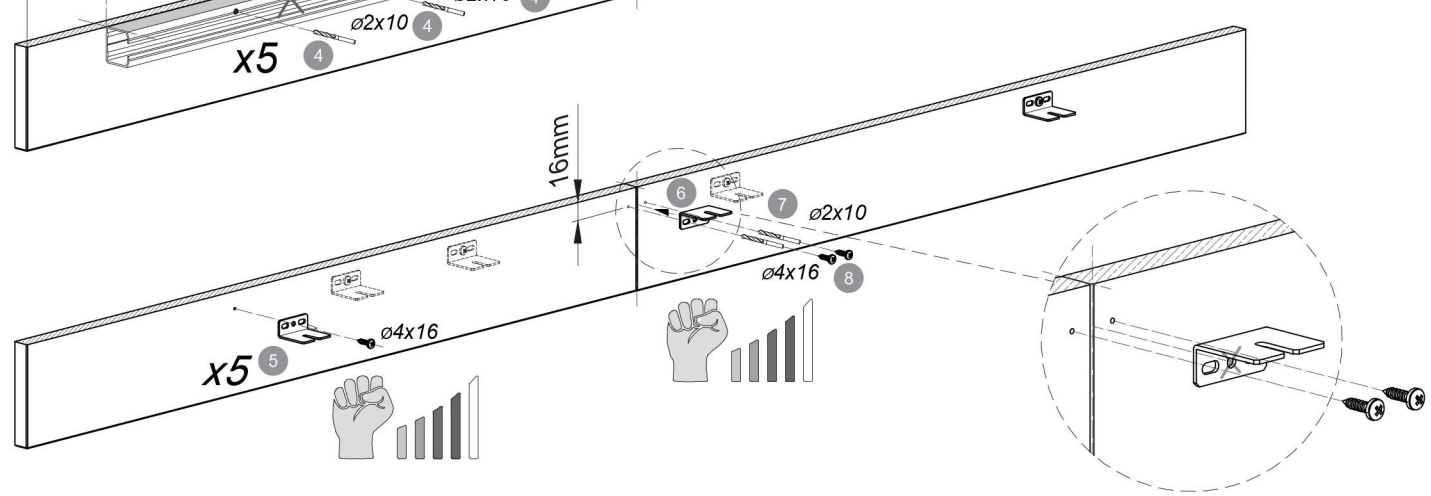
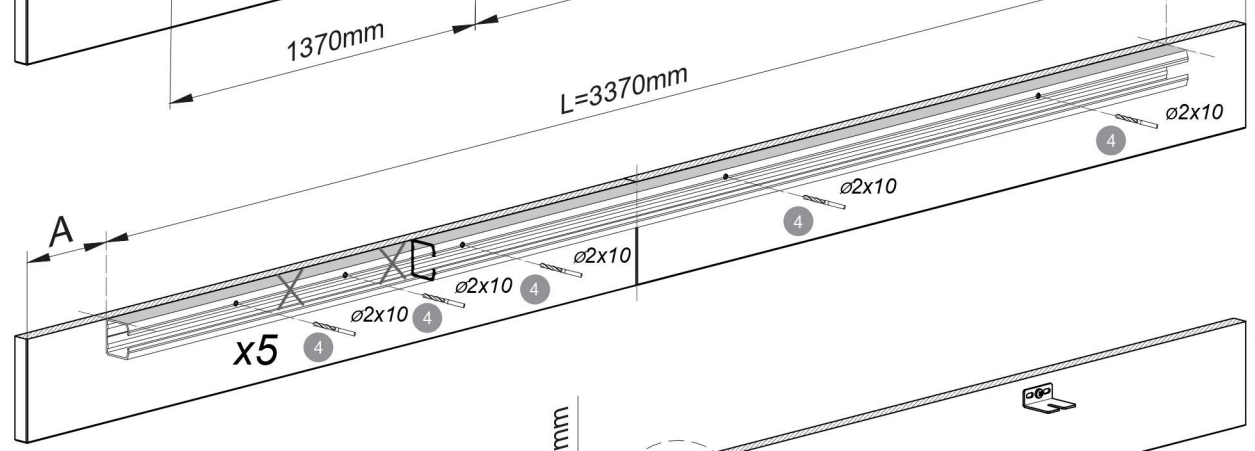
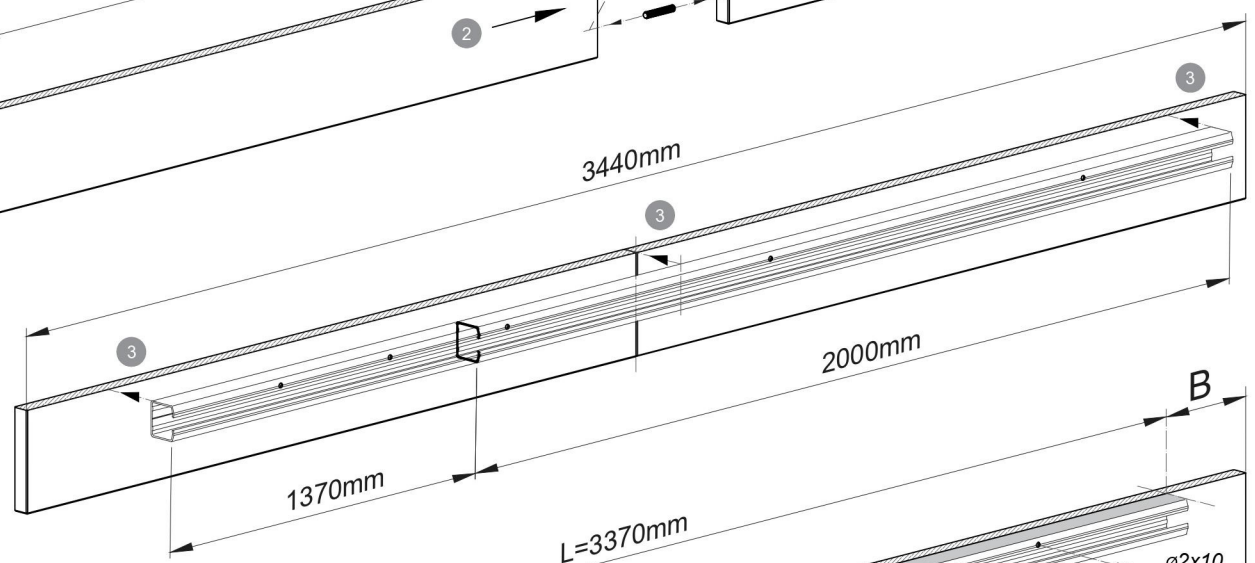
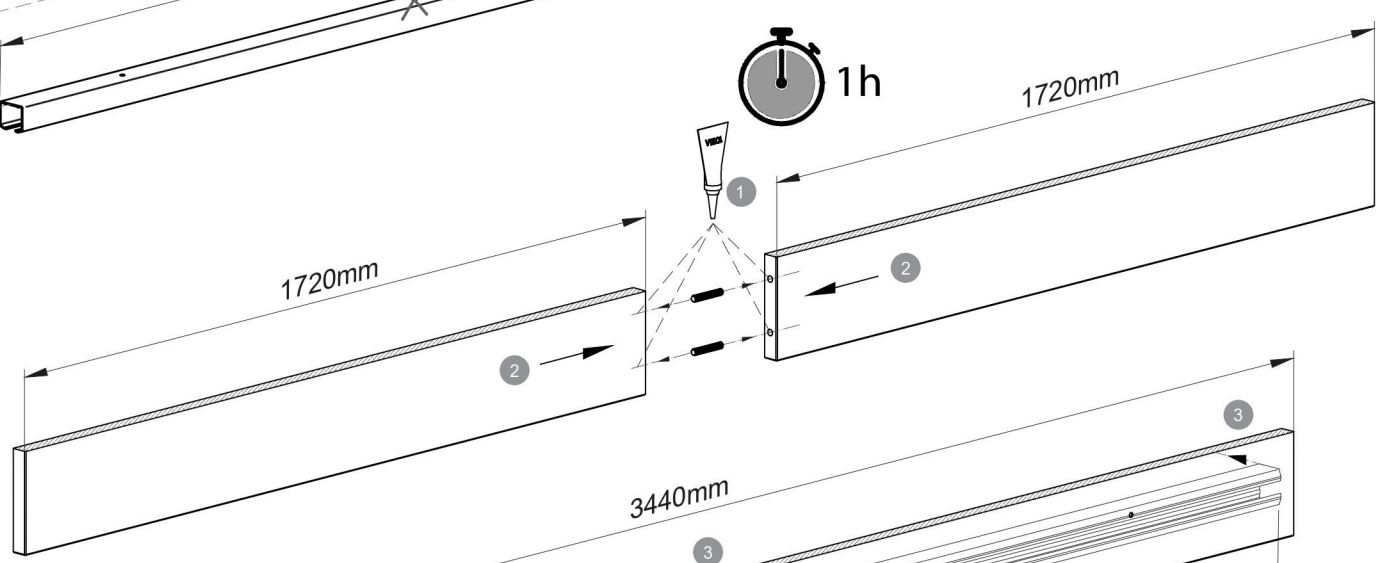
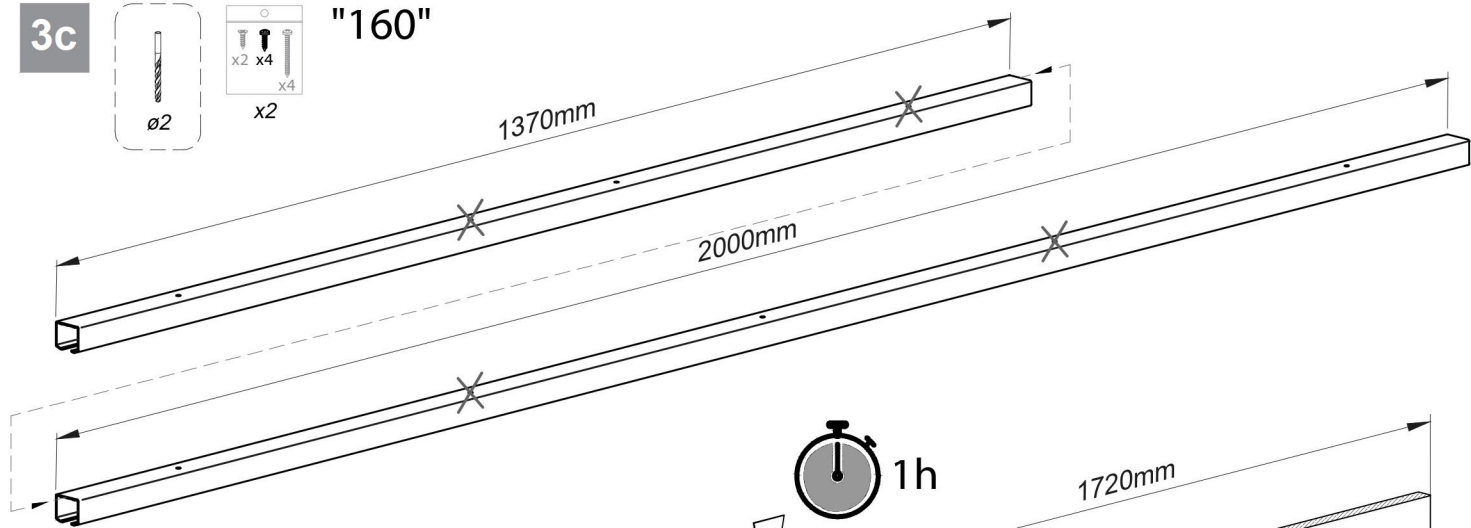




3c



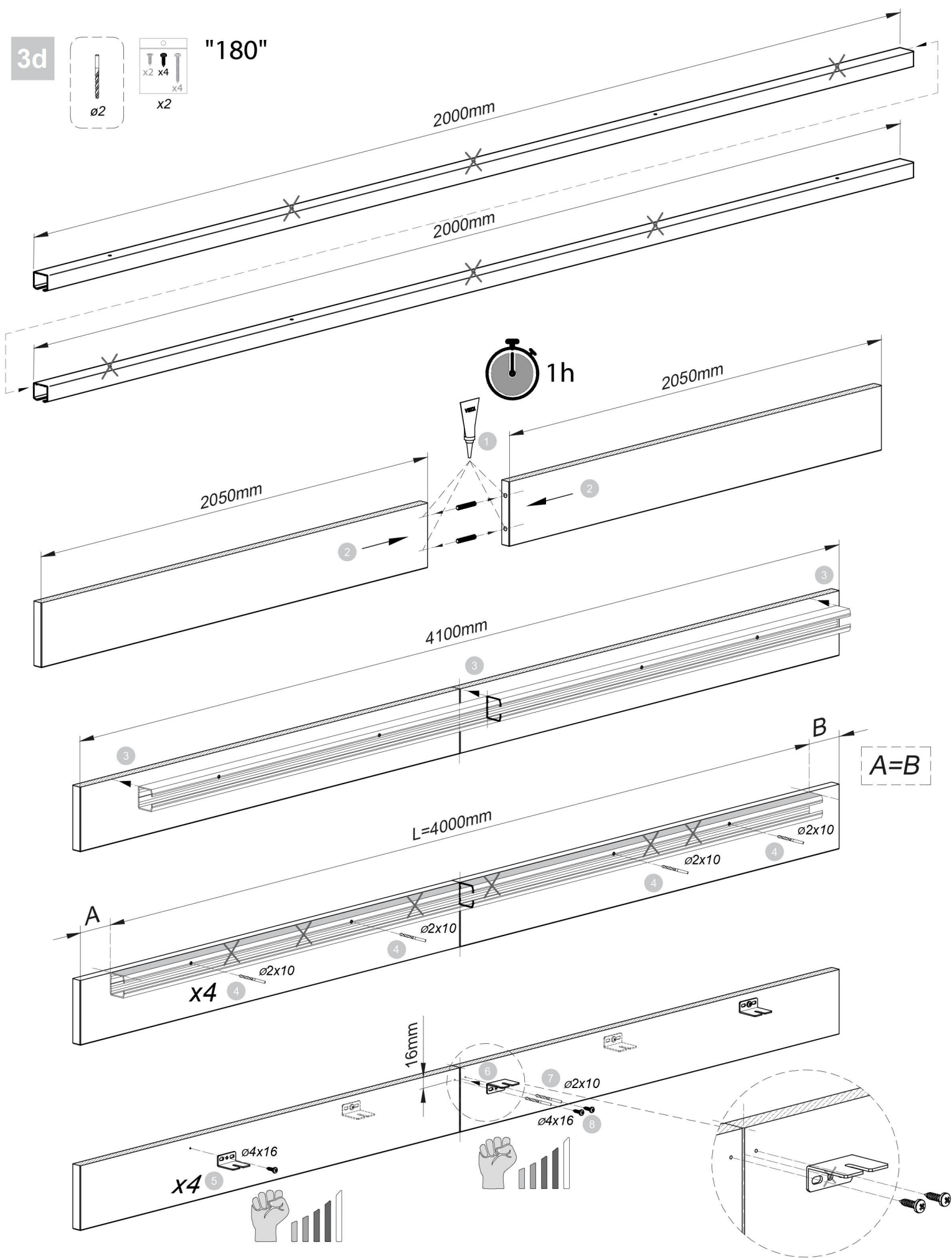
"160"



3d



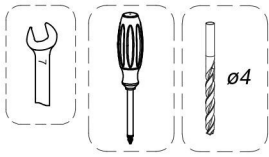
"180"







4a

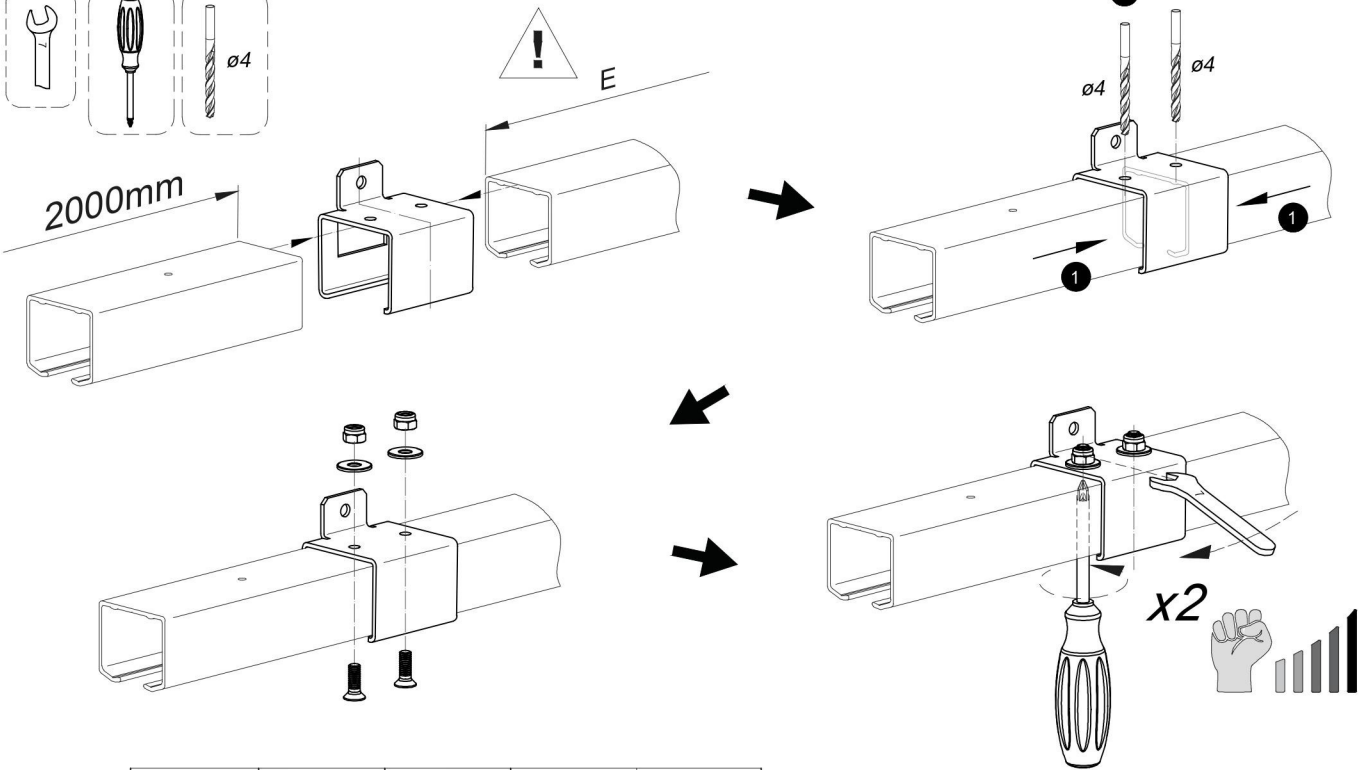


4b

4c

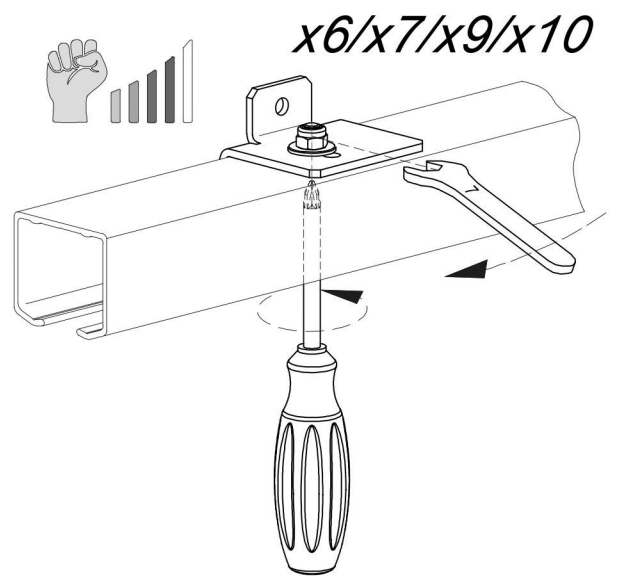
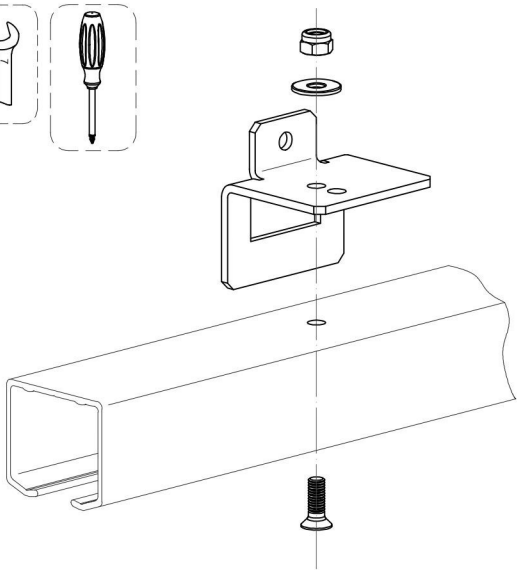
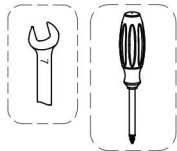
4d

4e

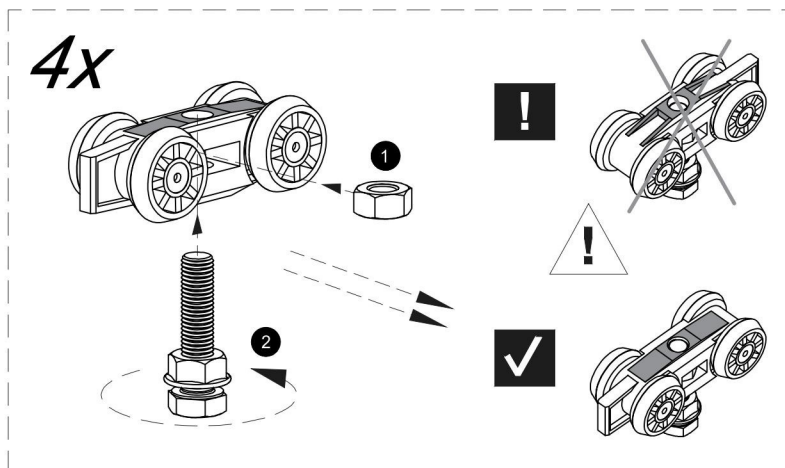


	"120"	"140"	"160"	"180"	"200"
E [mm]	570	970	1370	2000	

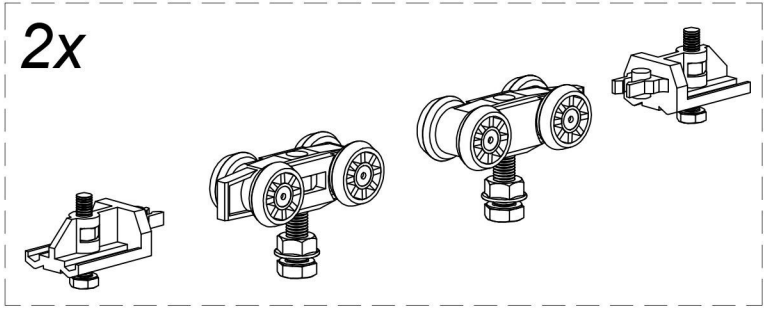
5



6



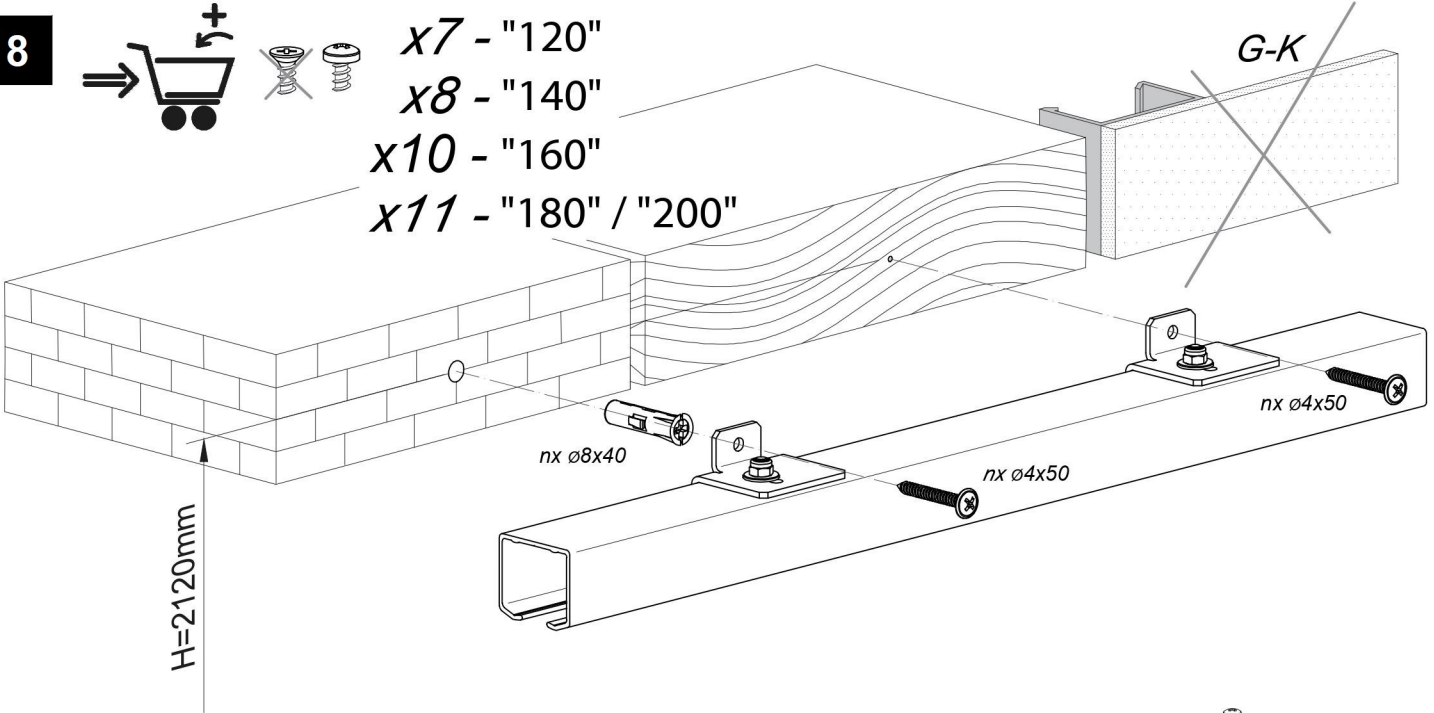
7



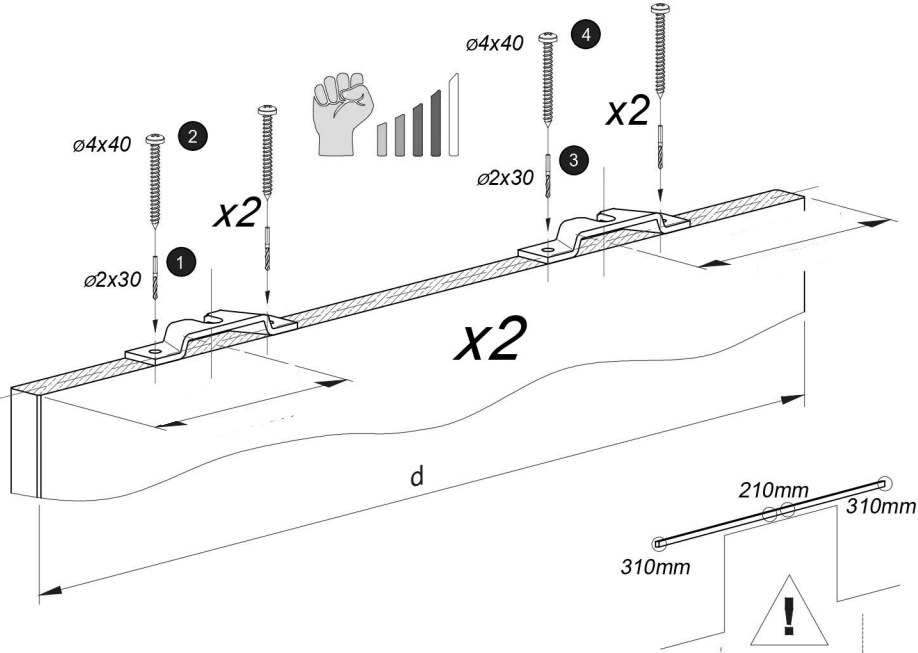
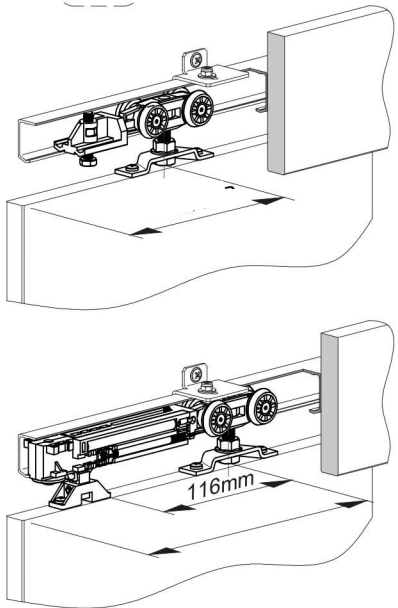
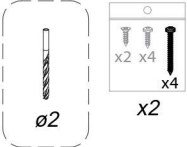
8



- x7 - "120"
- x8 - "140"
- x10 - "160"
- x11 - "180" / "200"

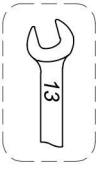


9

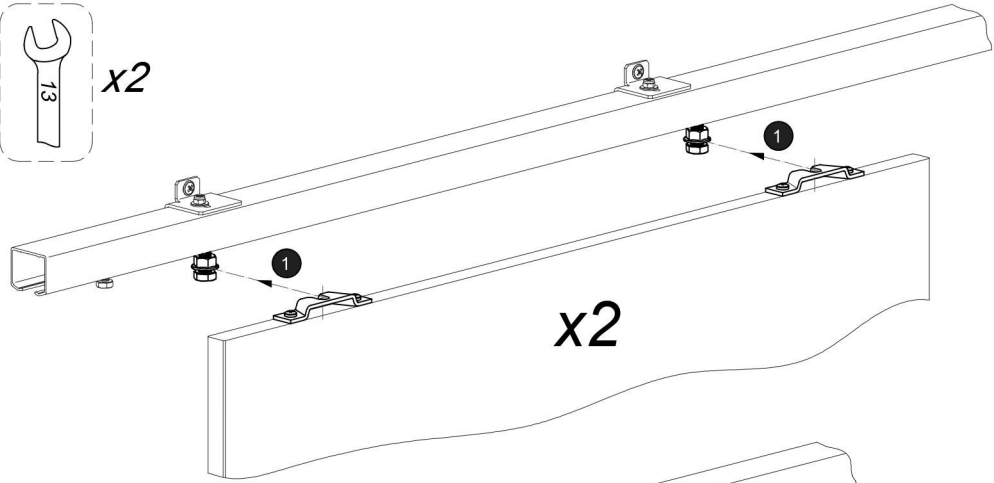


d [mm]	660 "120"	760 "140"	860 "160"	960 "180"	1060 "200"
[mm]		100			160
[mm]		180			210/310

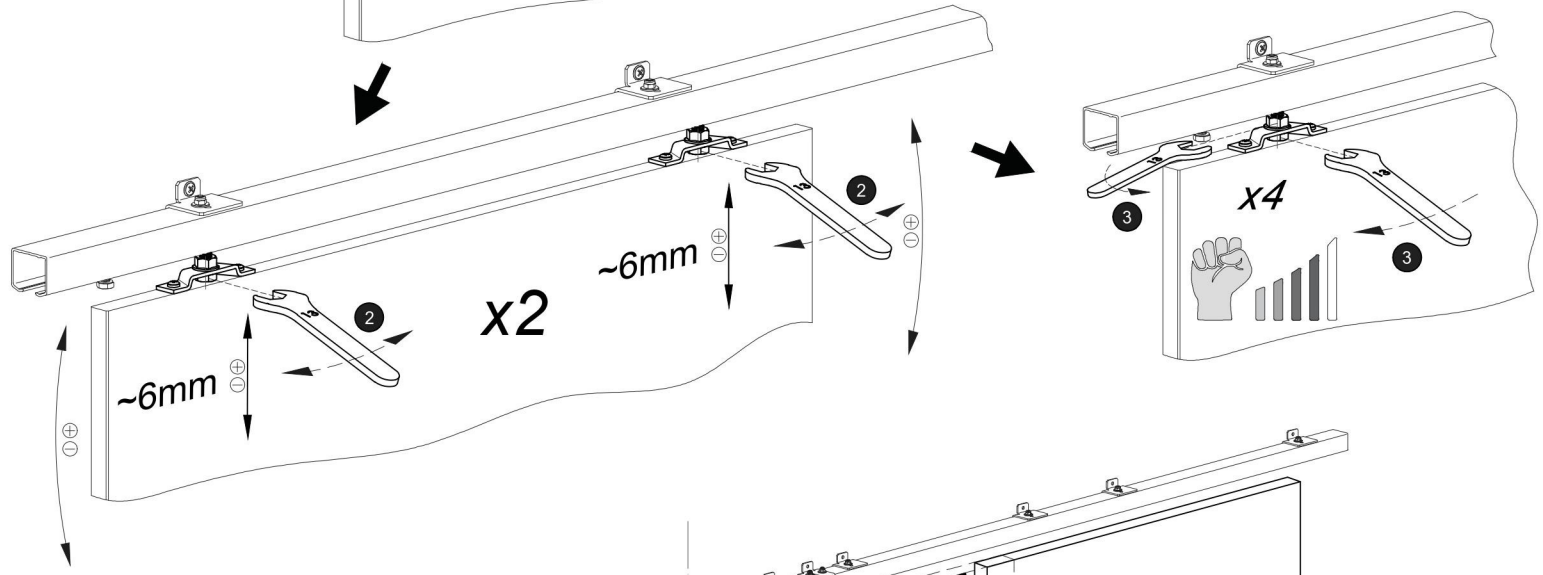
10



x2

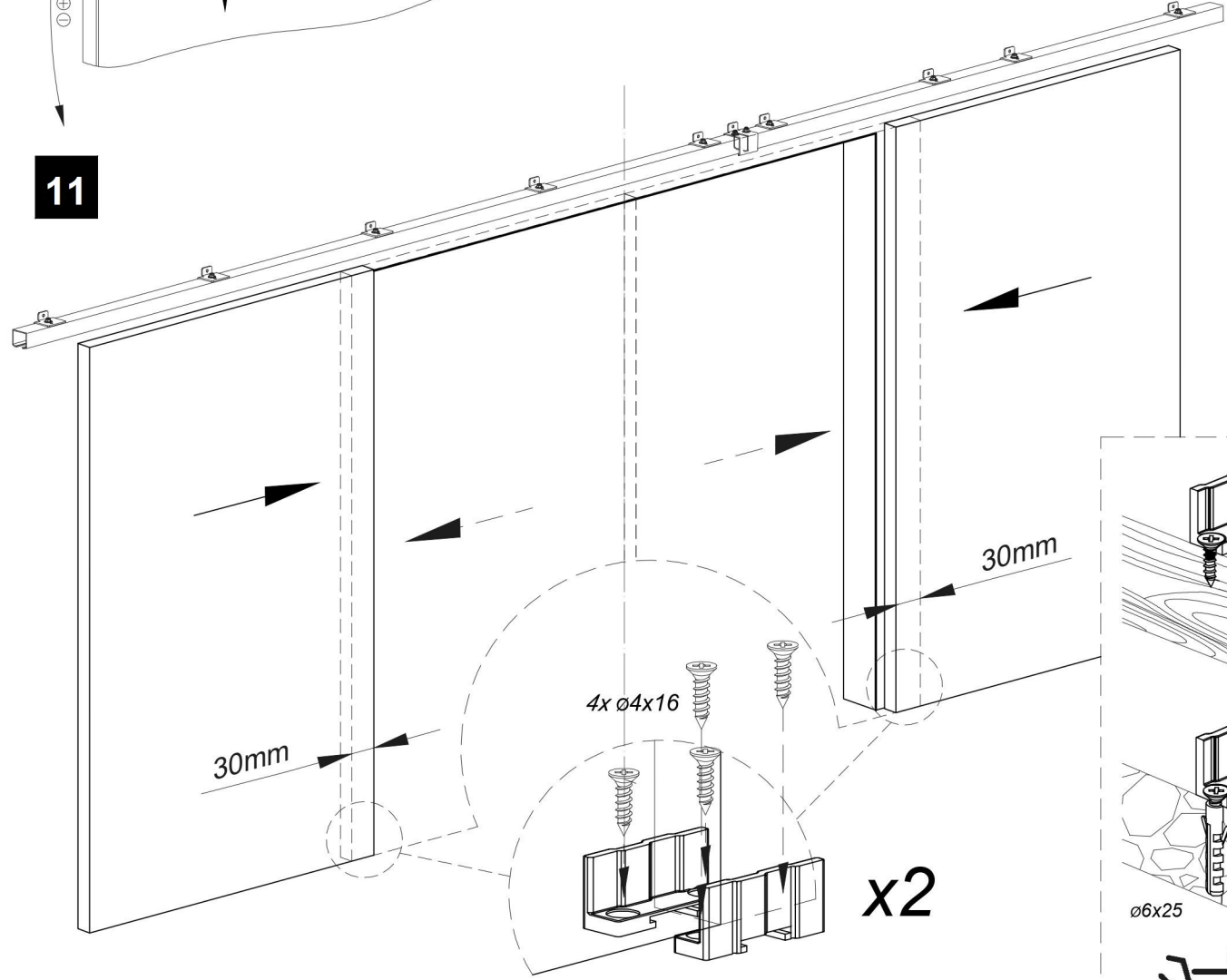


x2

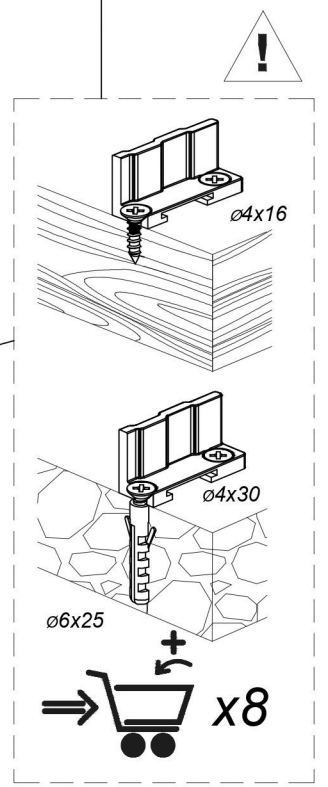


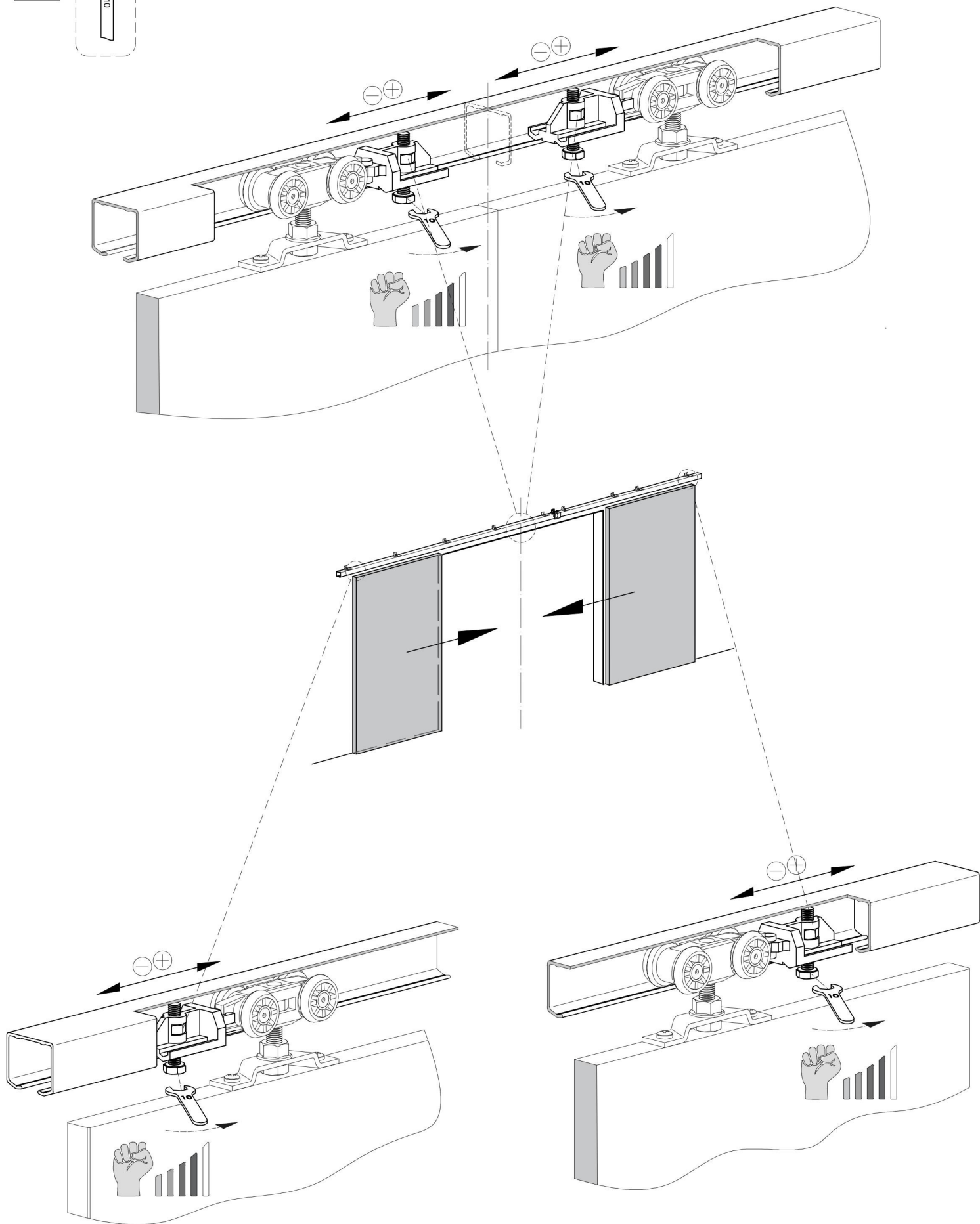
x2

11



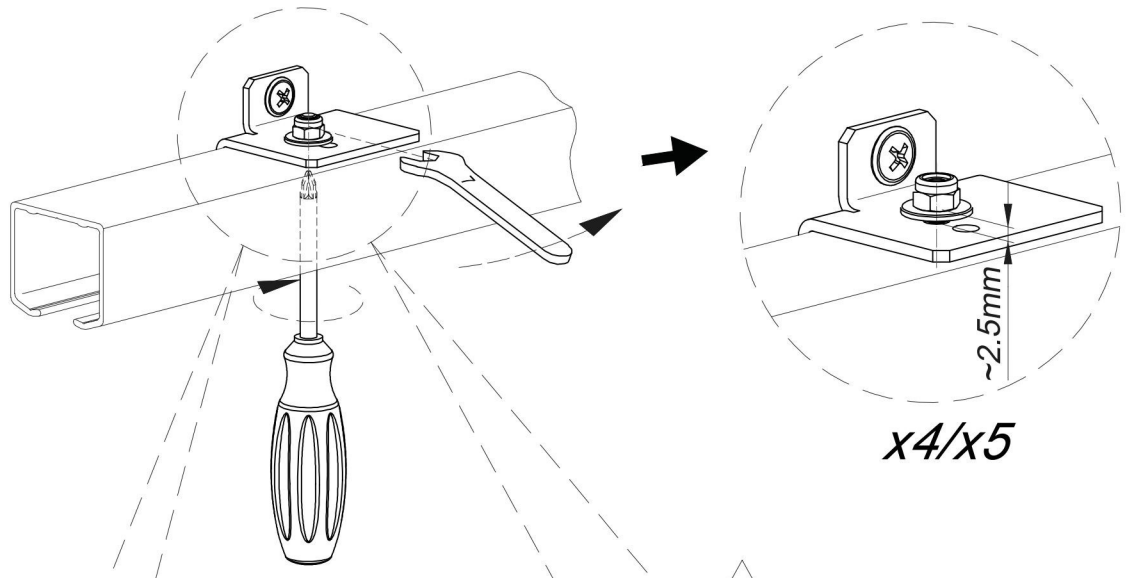
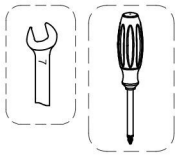
x2







13

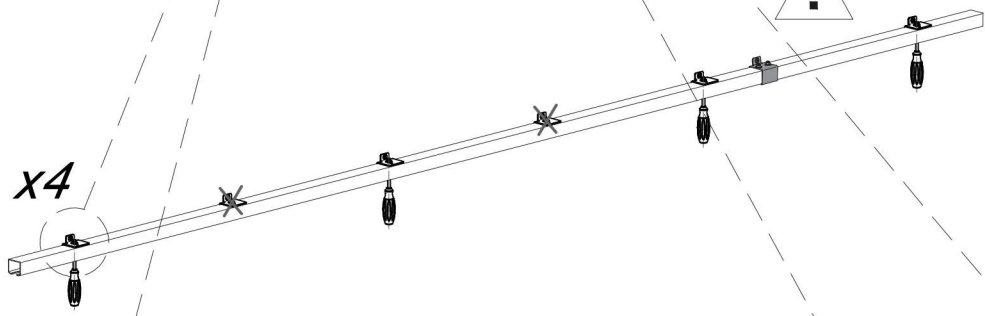


x4/x5

13a

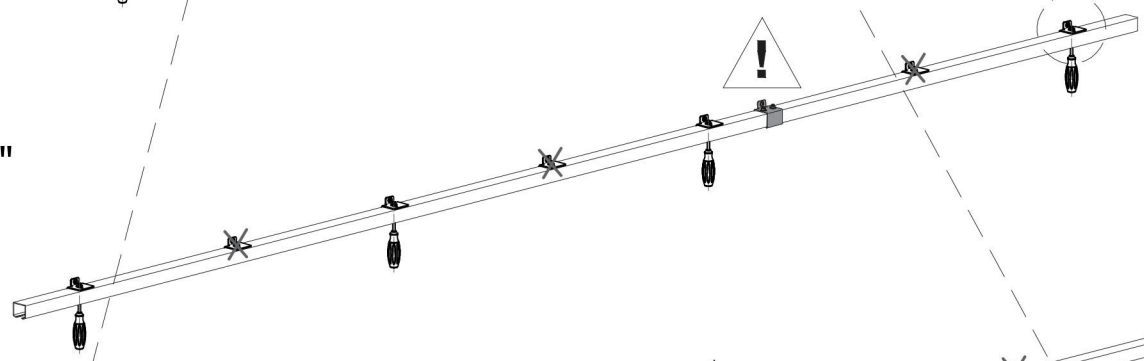
"120"

x4



13b

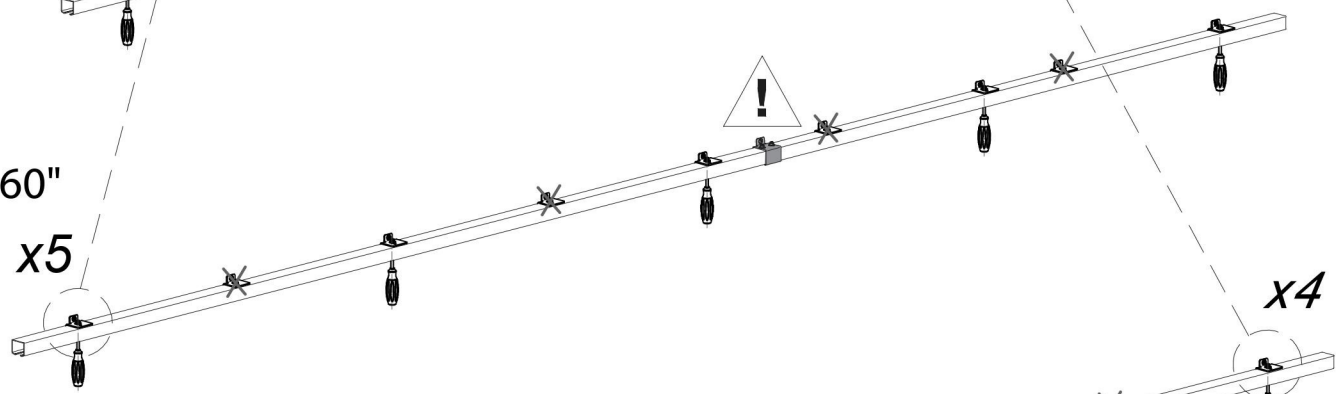
"140"



13c

"160"

x5

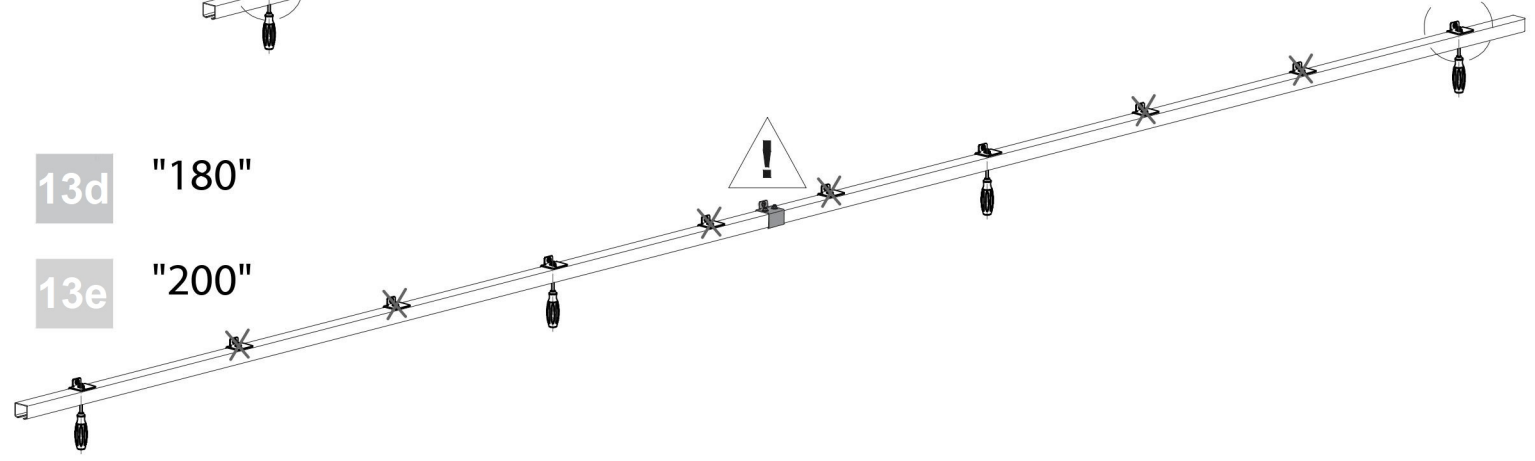


13d

"180"

"200"

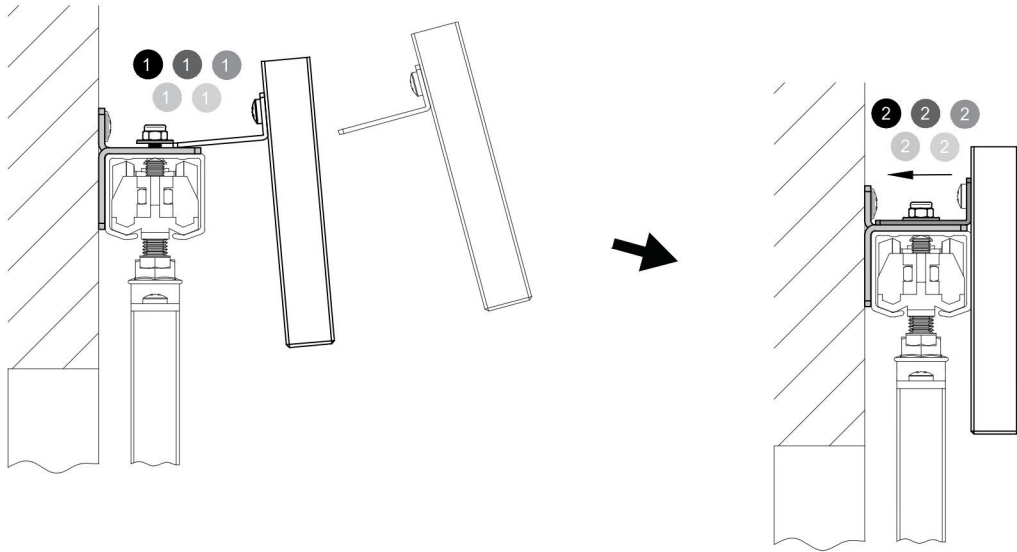
x4



13e

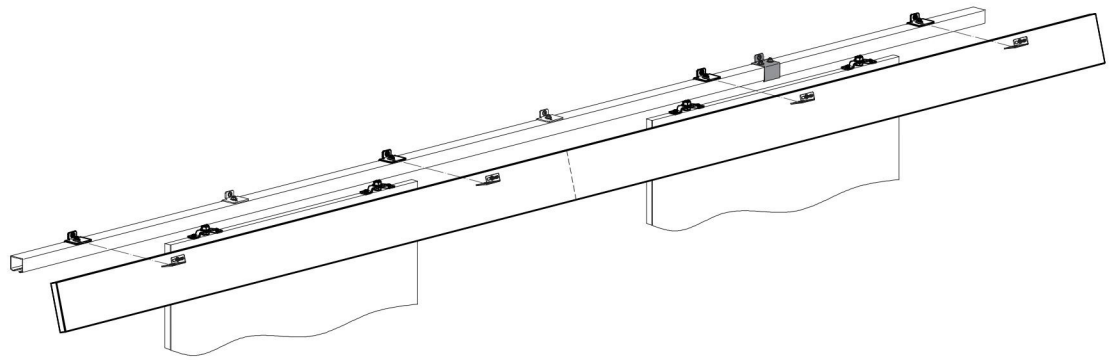
14

x4/x5



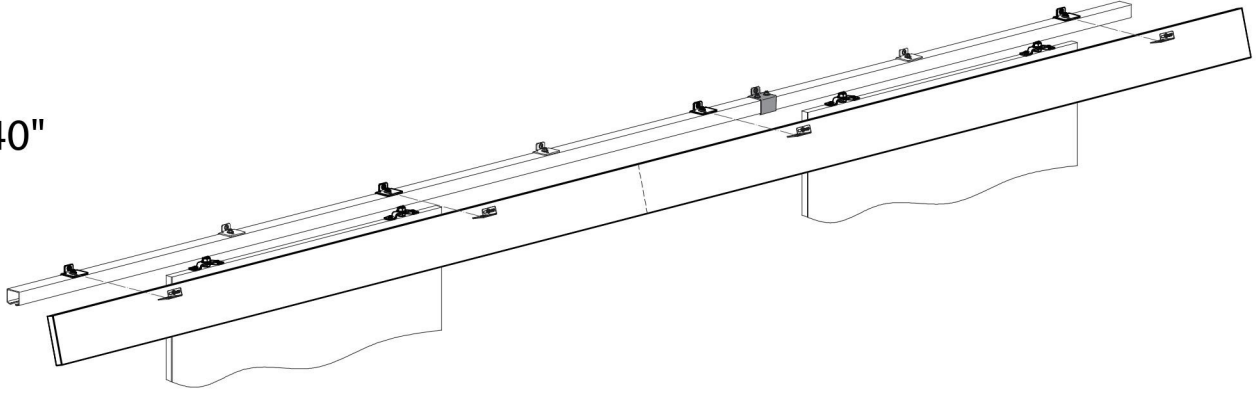
14a

"120"



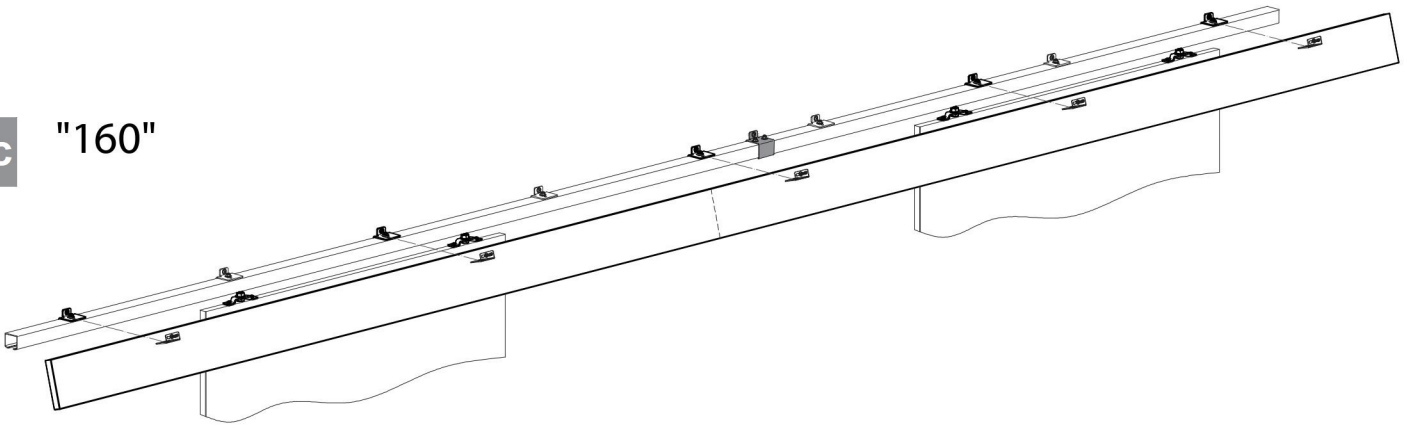
14b

"140"

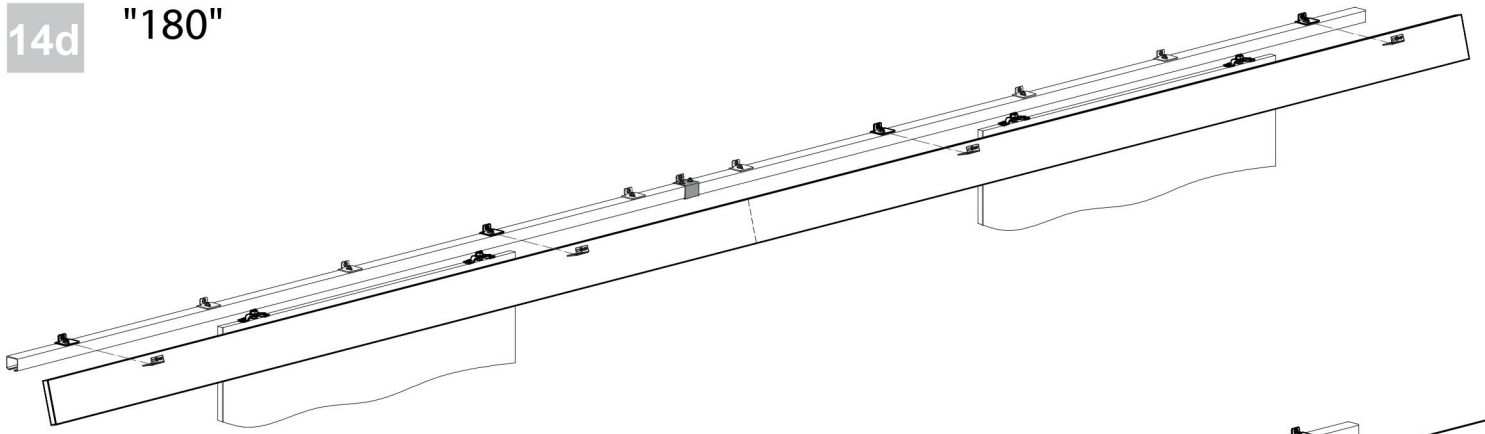


14c

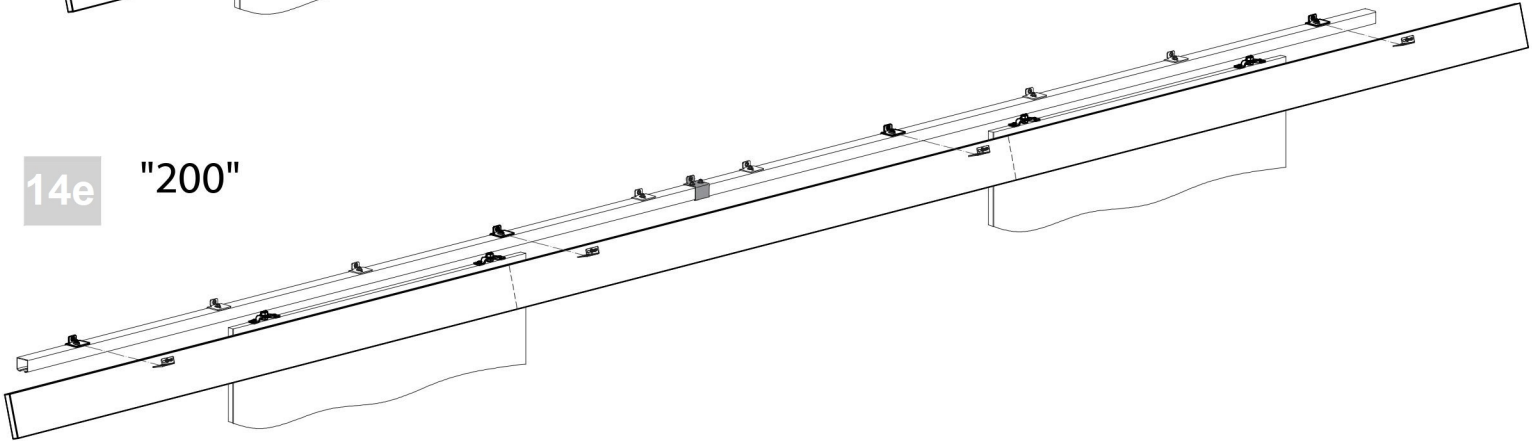
"160"



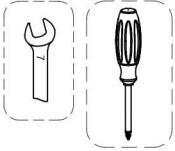
14d "180"



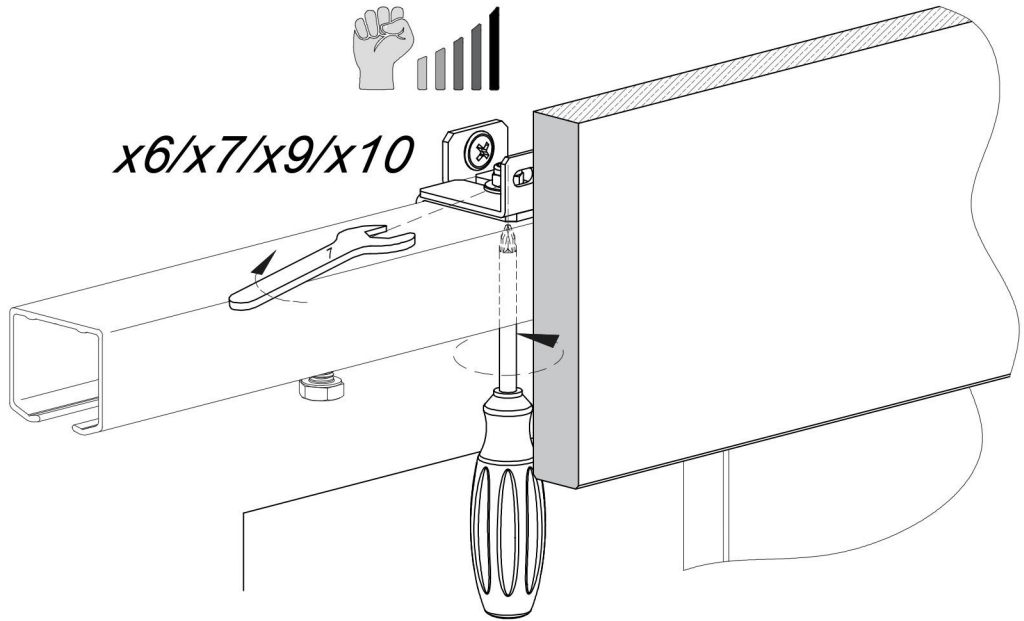
14e "200"



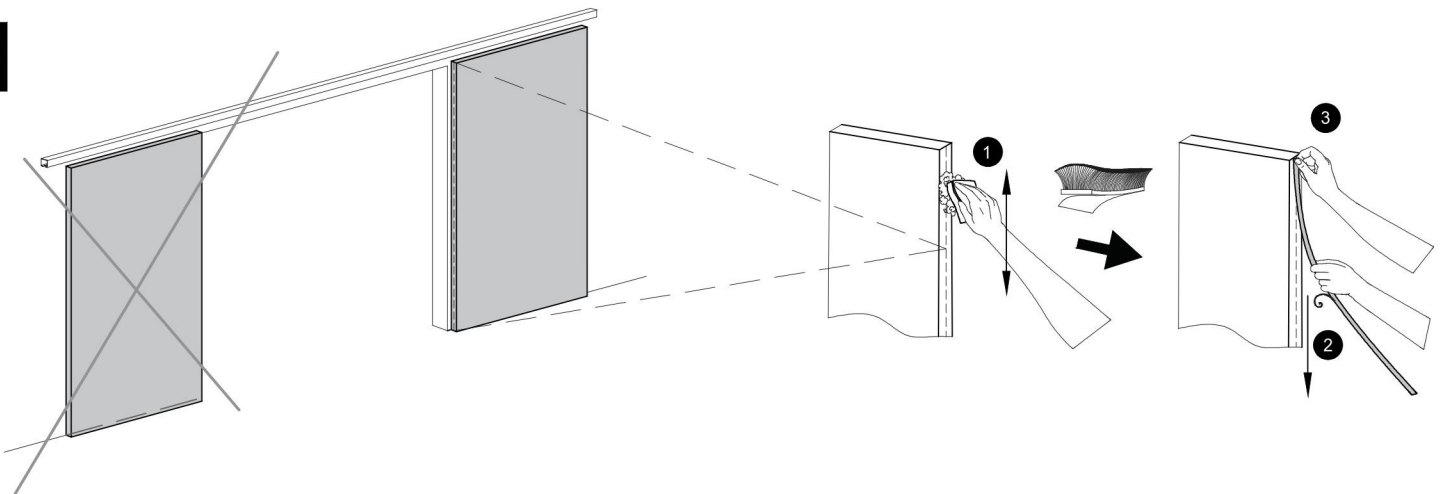
15

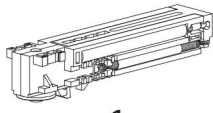


x6/x7/x9/x10



16





x1



x1



x2



#2

x1



#2.5

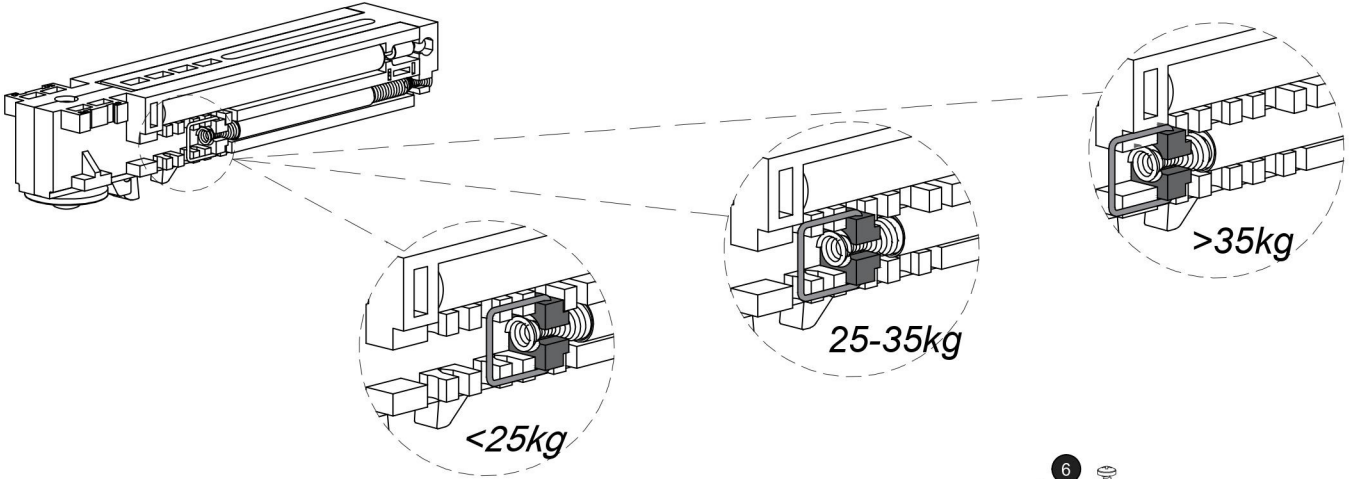
x1



#4

x1

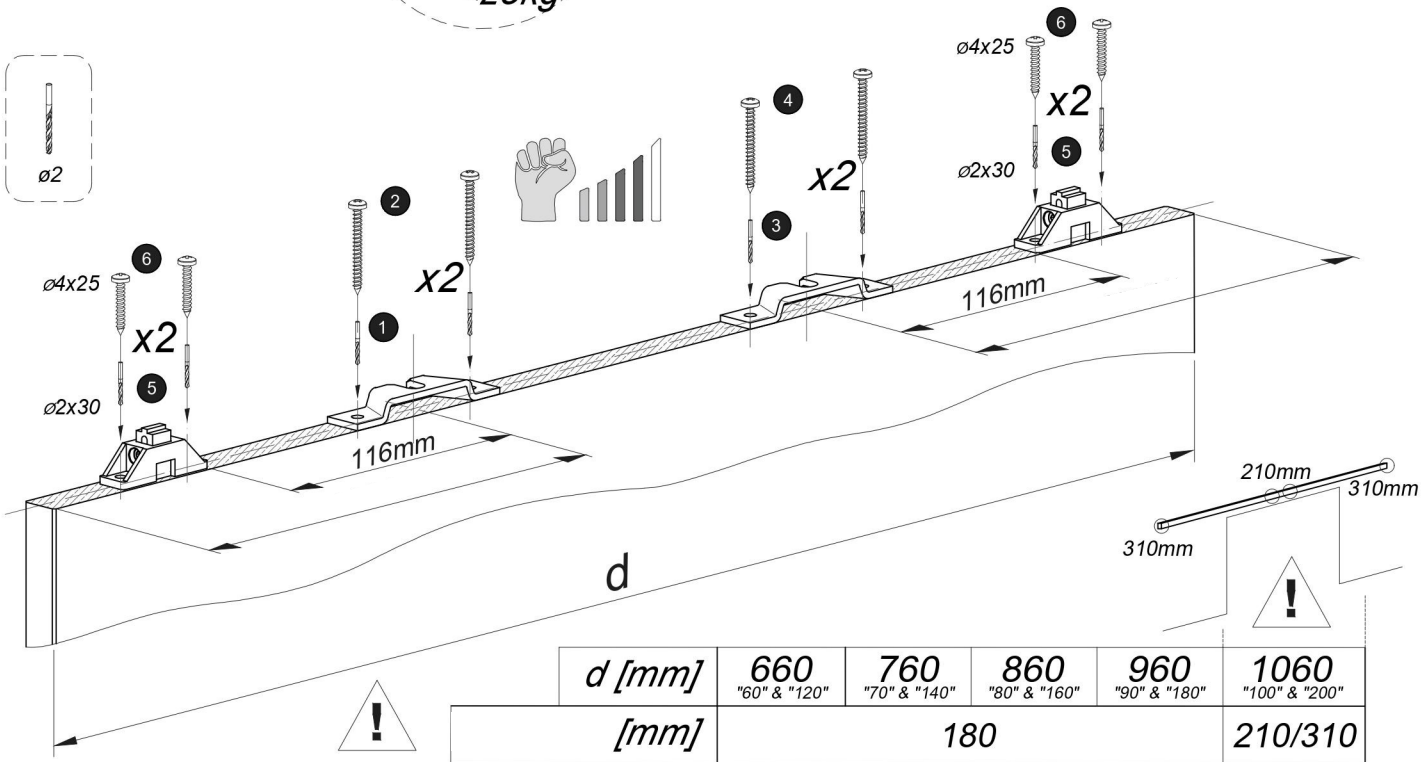
1



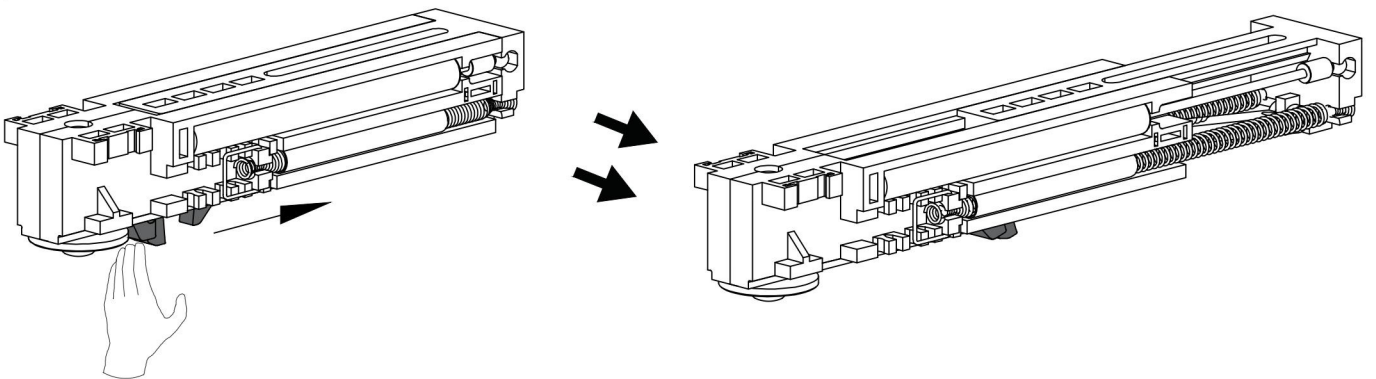
2



ø2

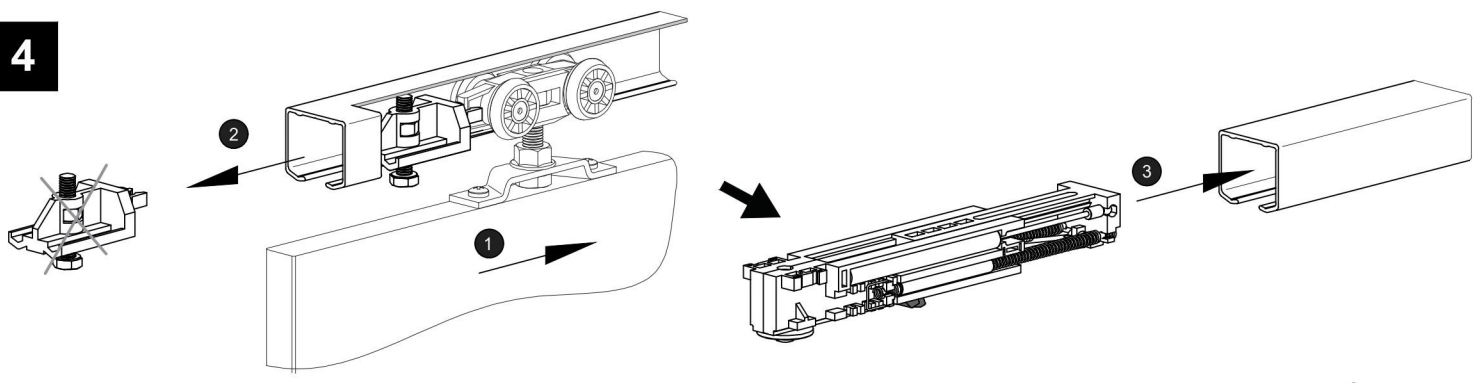


3

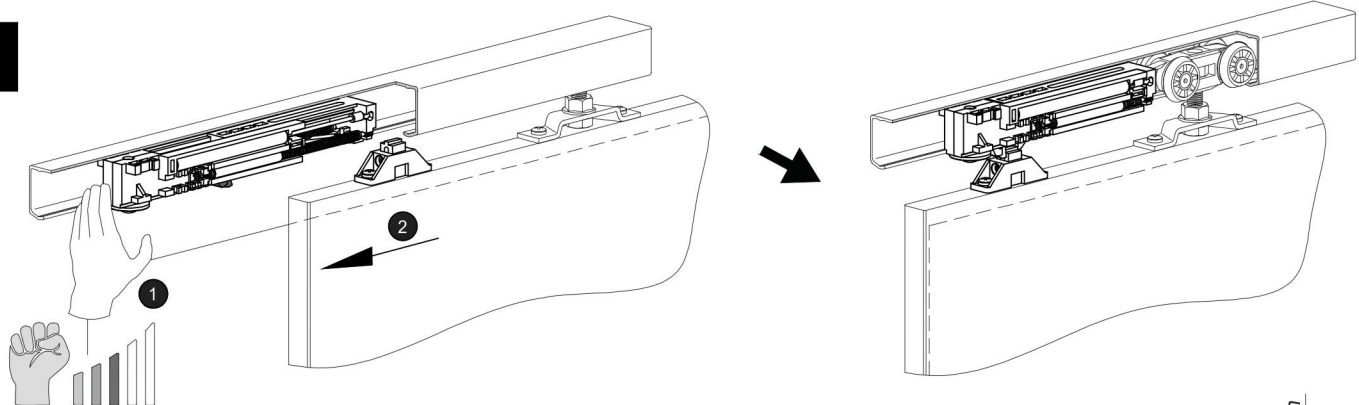




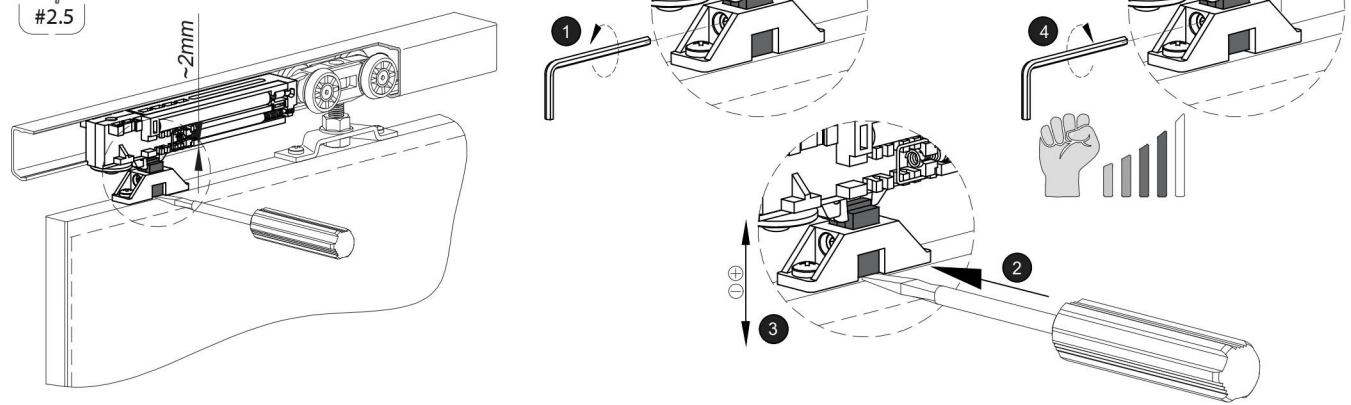
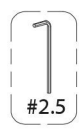
4



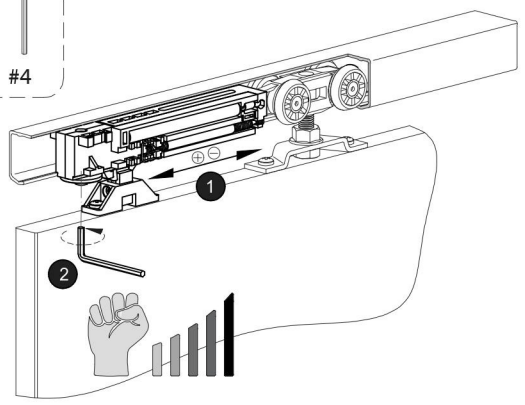
5



7



8



9

