
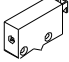


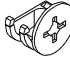



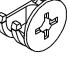






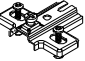




I

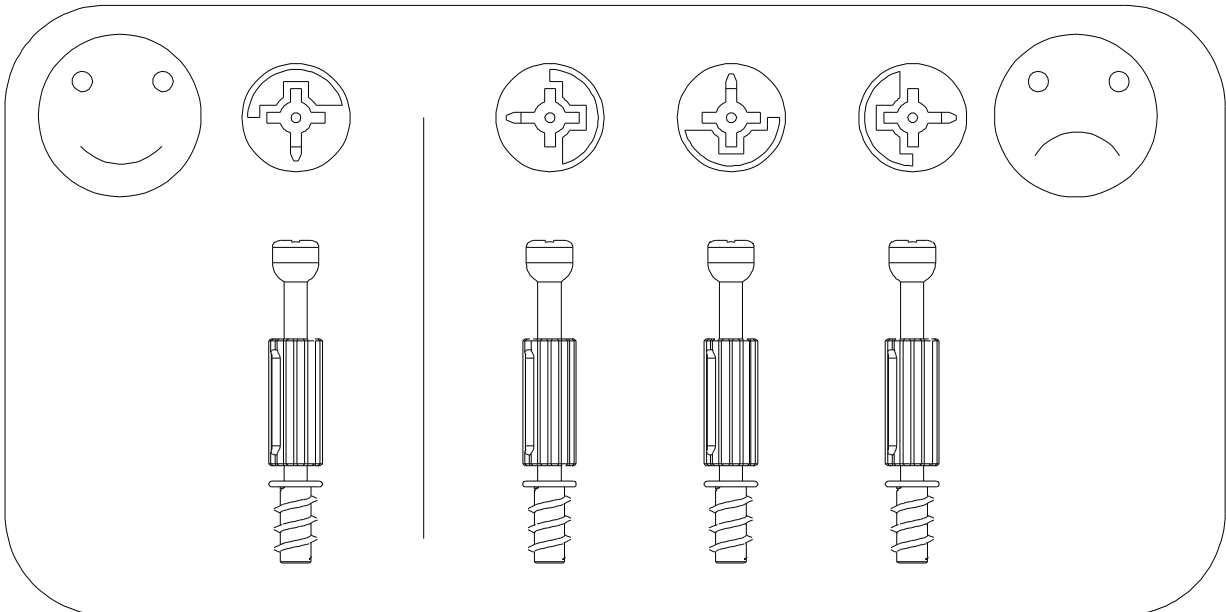
						
R x1	G x2	H1 x4	D x4	B x2	S x8	A x6

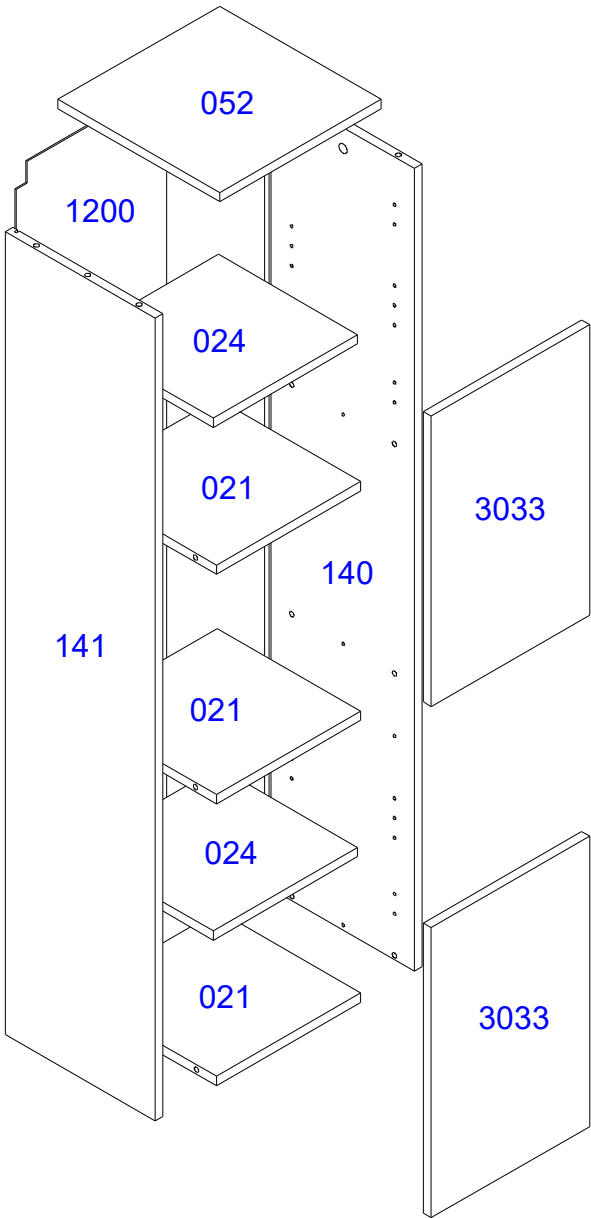
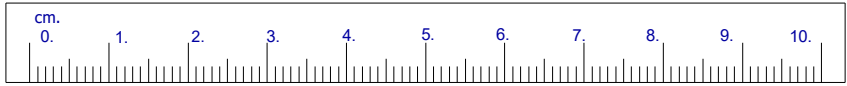
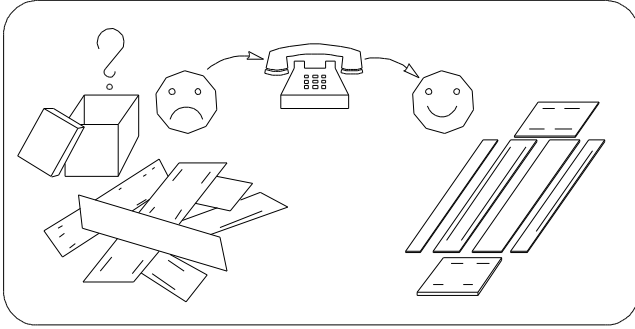
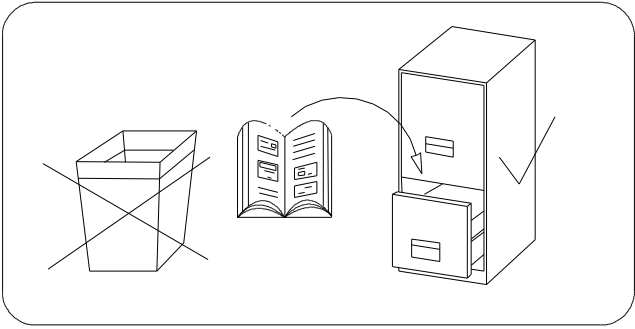
II-VII

				
A x2	B x6	D x12	Z x4	F2 x8


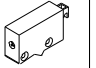

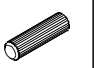
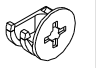


VIII-XIV

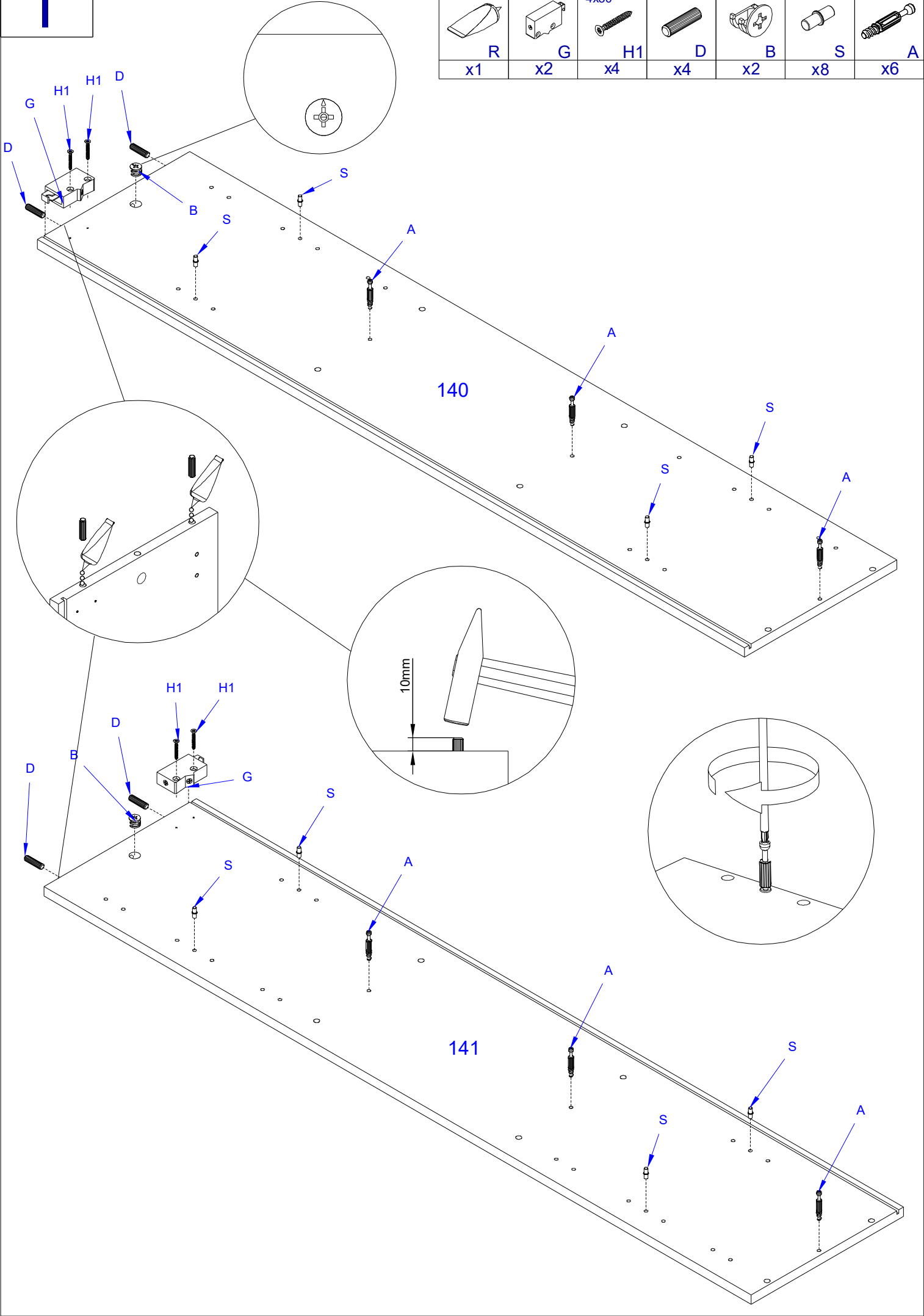
					
I x6	L x4	F3 x2	E1 x4	KR x2	X4 x4



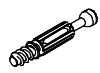


I

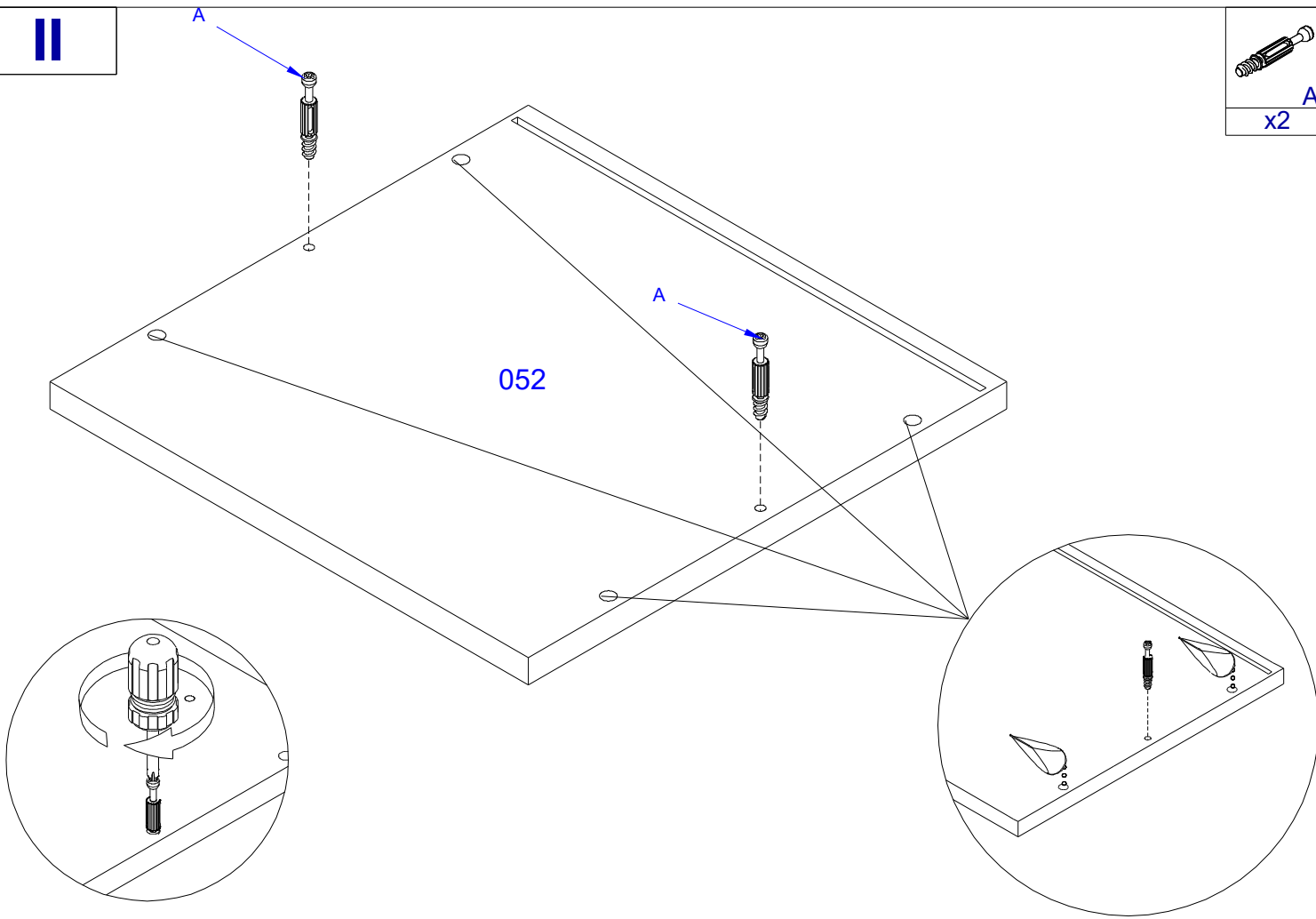
						
R	G	4x30 H1	D	B	S	A
x1	x2	x4	x4	x2	x8	x6



II



A
x2



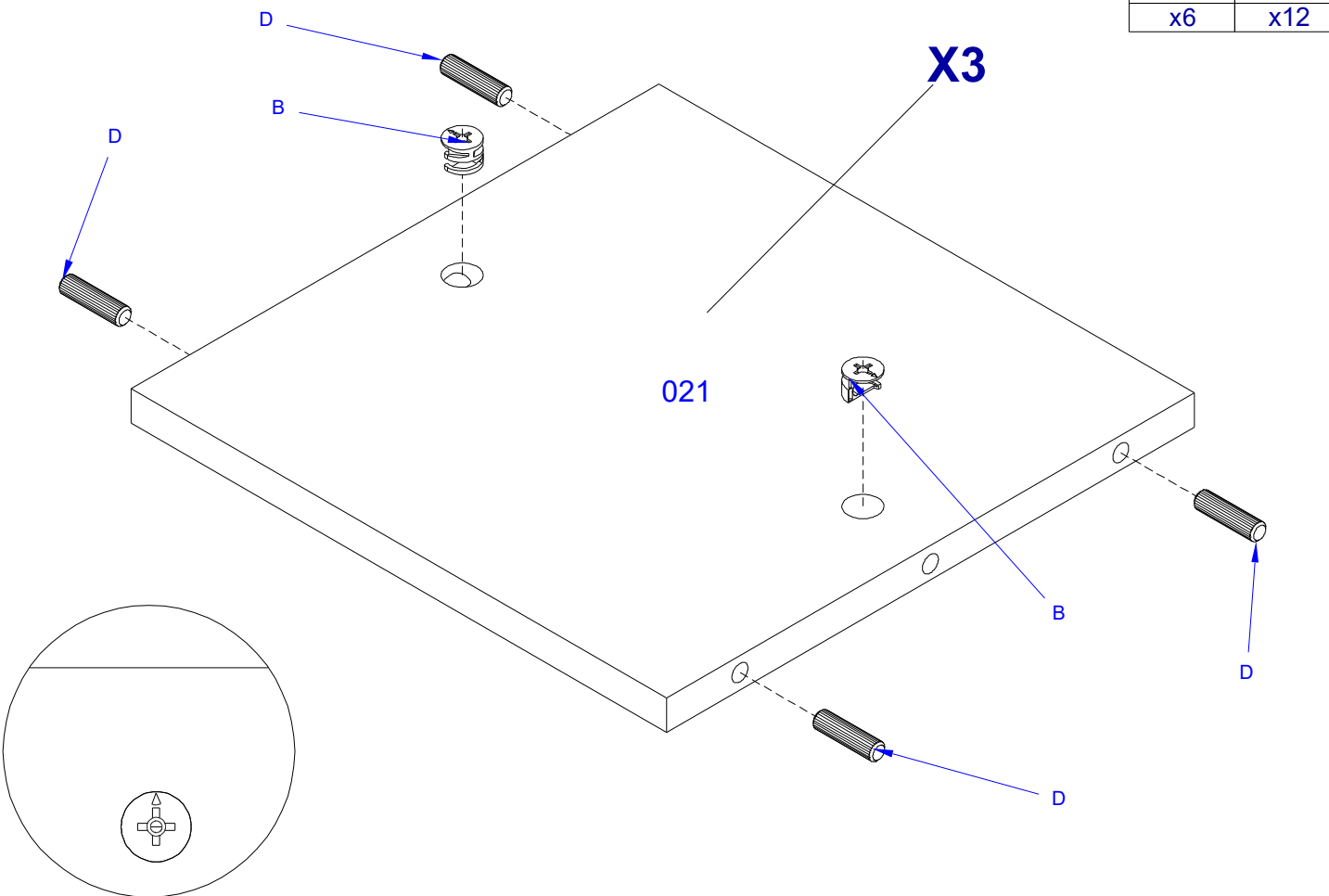
III



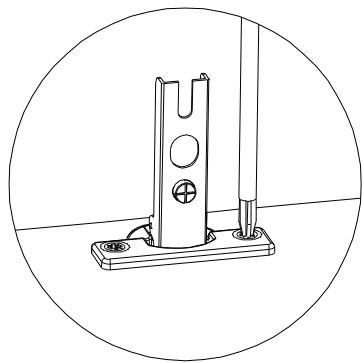
B
x6


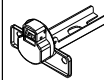


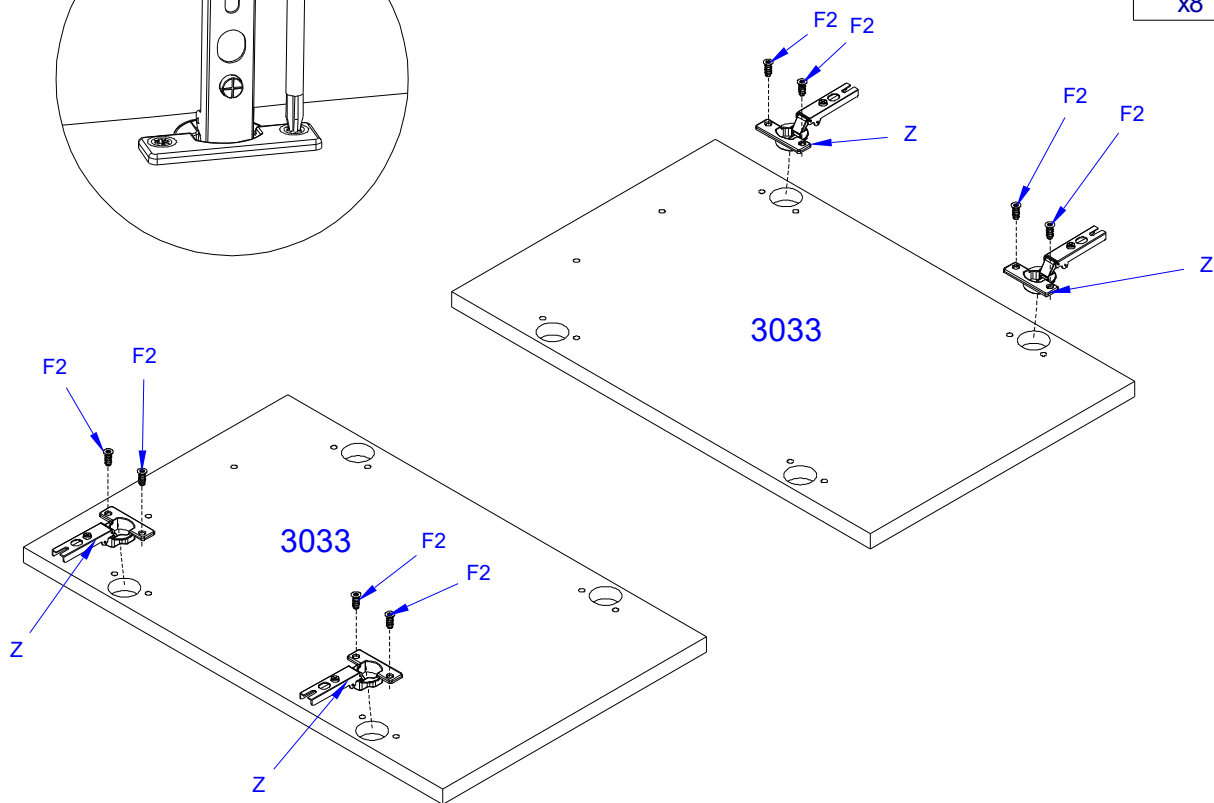
D
x12



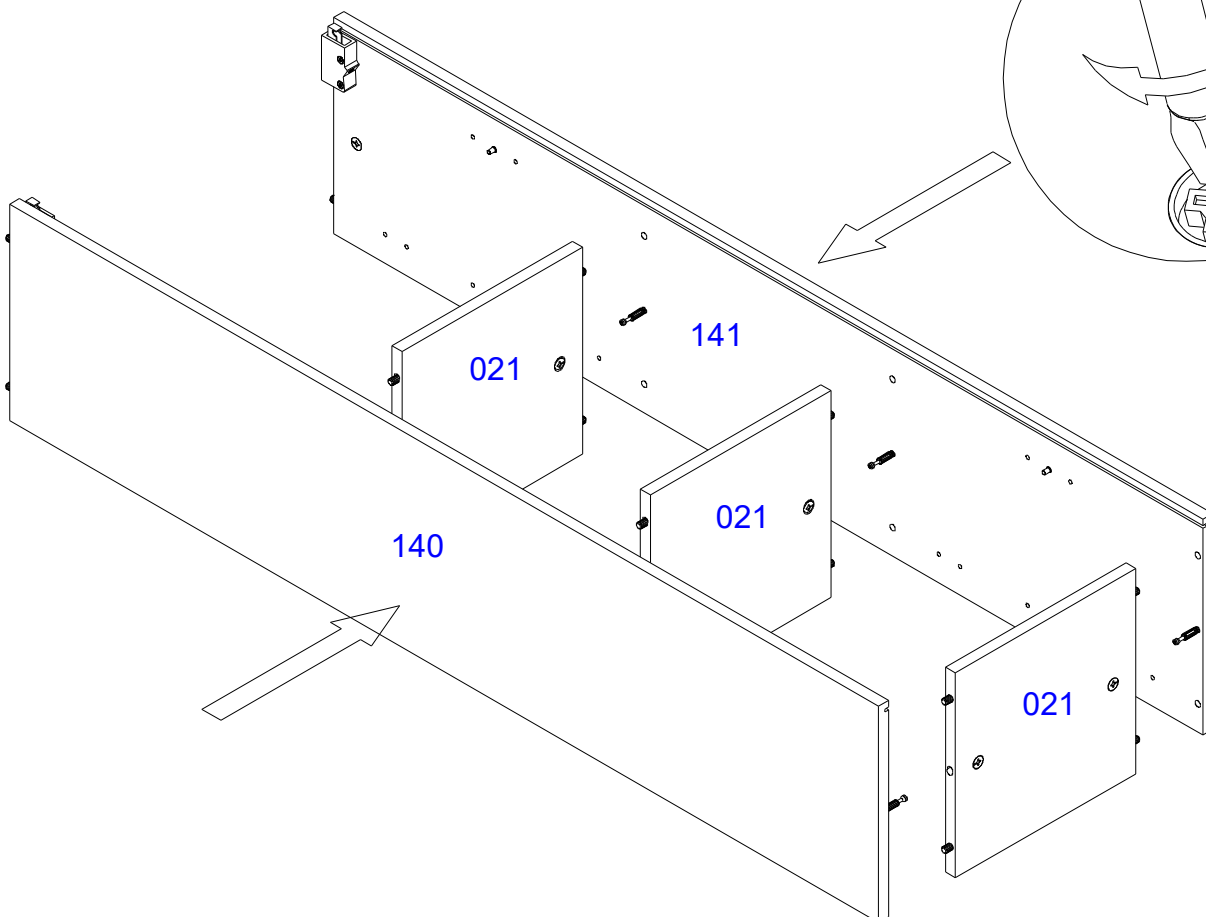
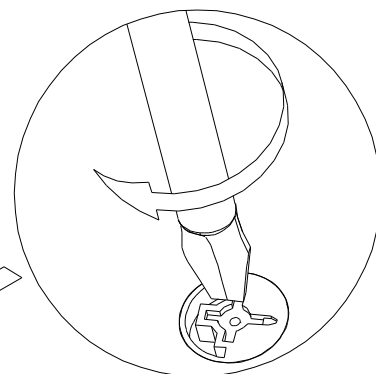
IV



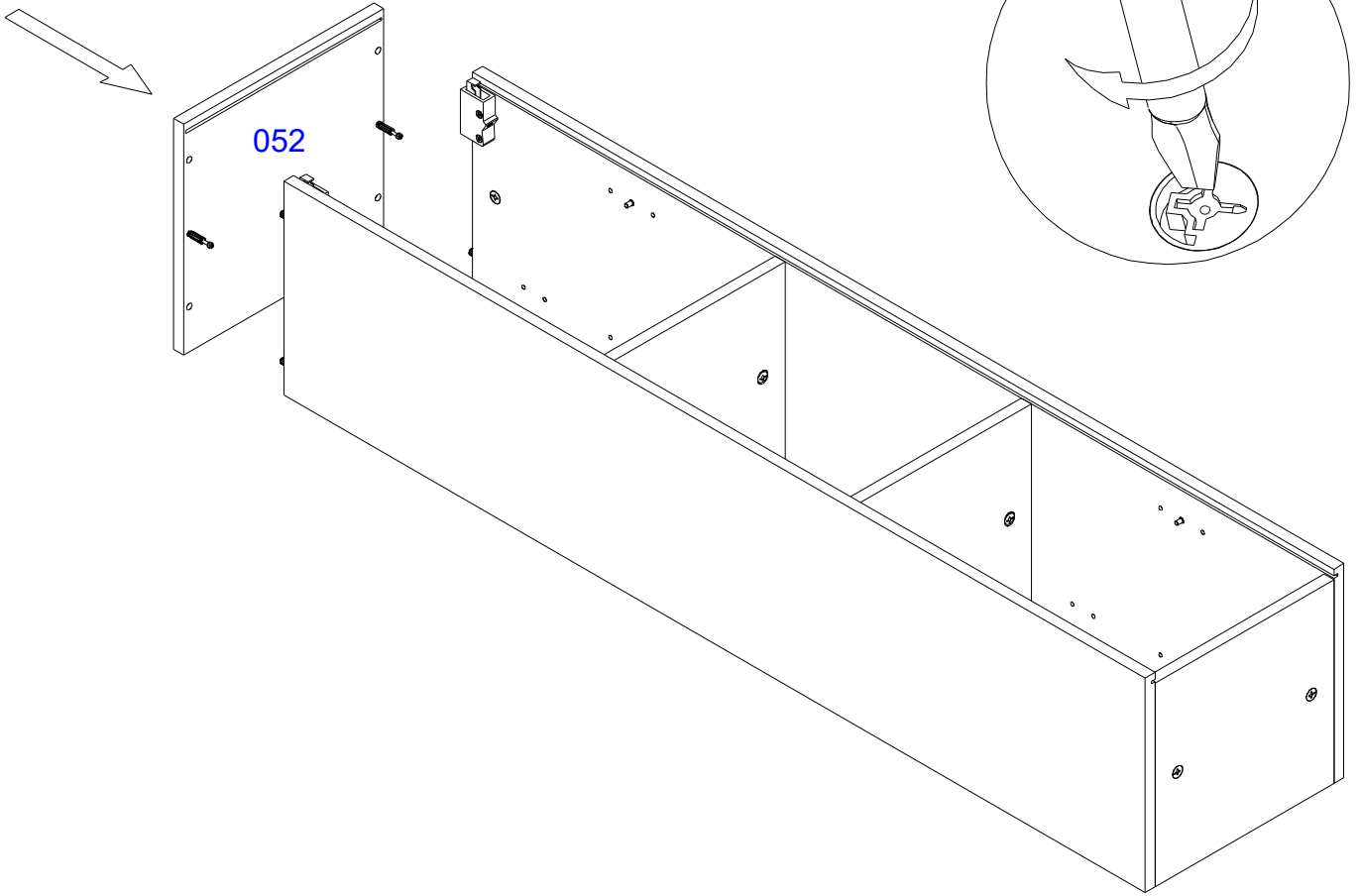
6,3x13		
	F2	Z
x8		x4



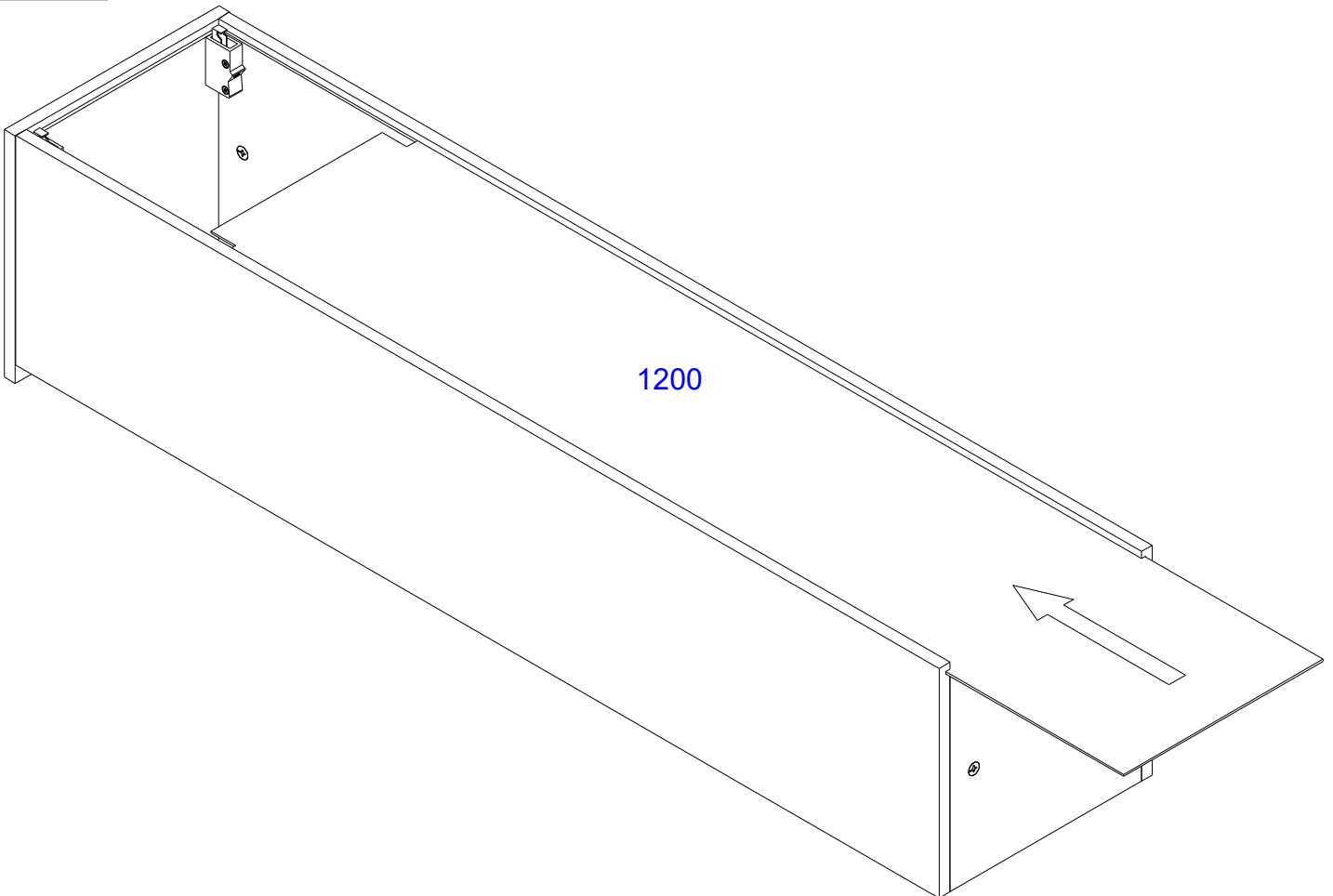
V



VI



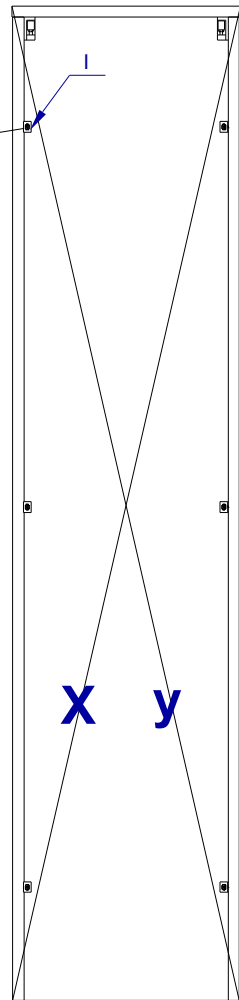
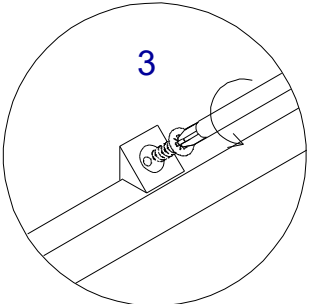
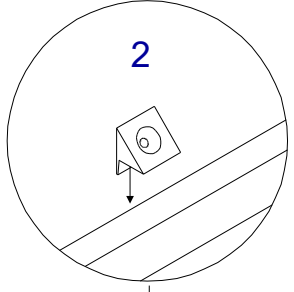
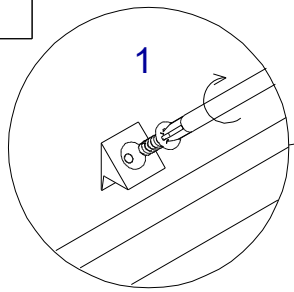
VII



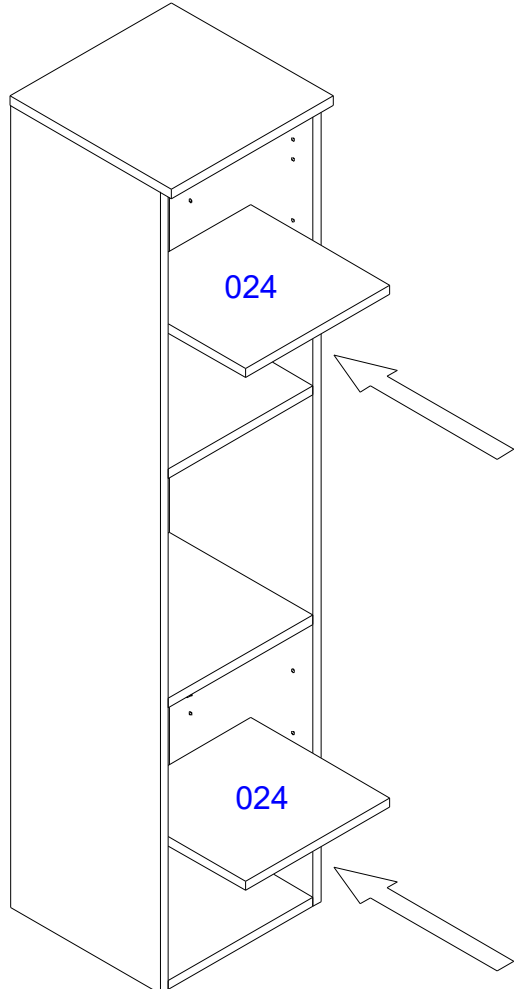
VIII



x6



IX



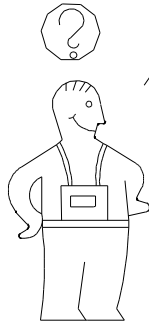
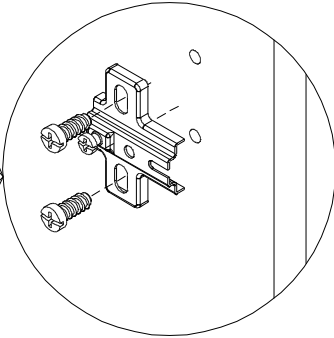
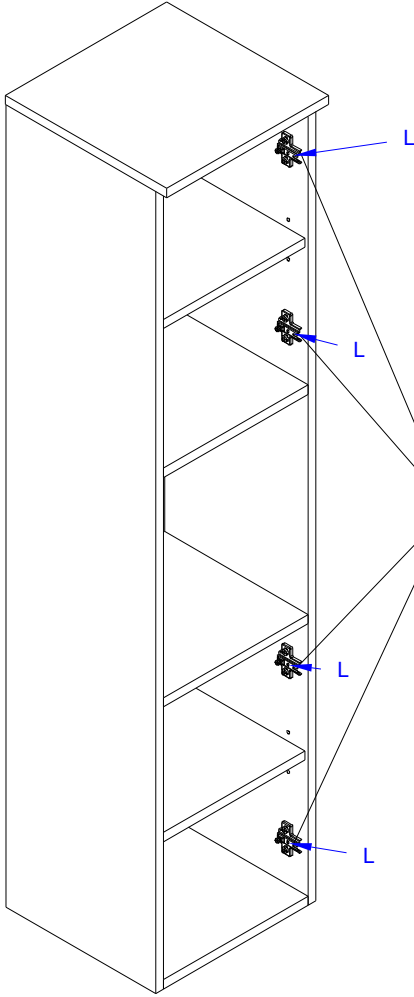
X

R

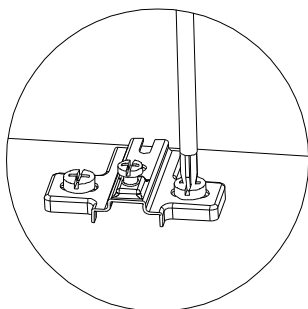
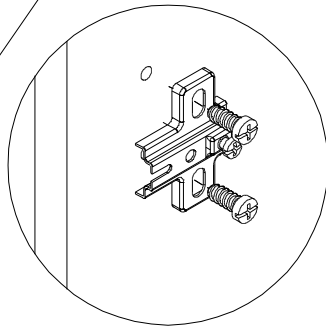
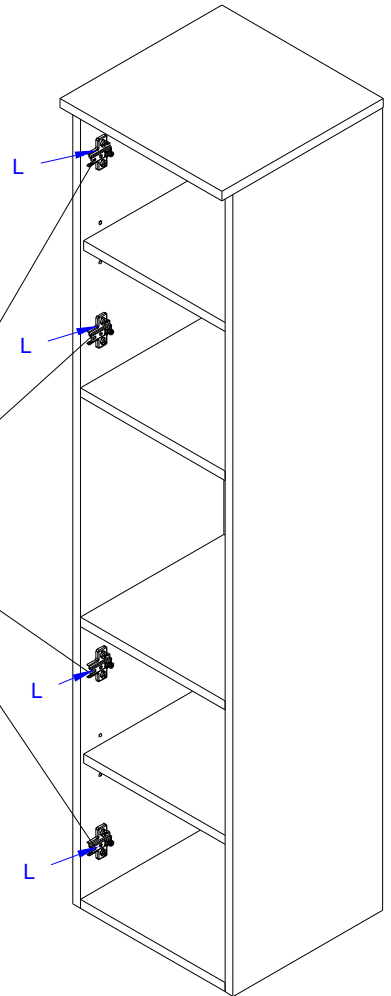


L

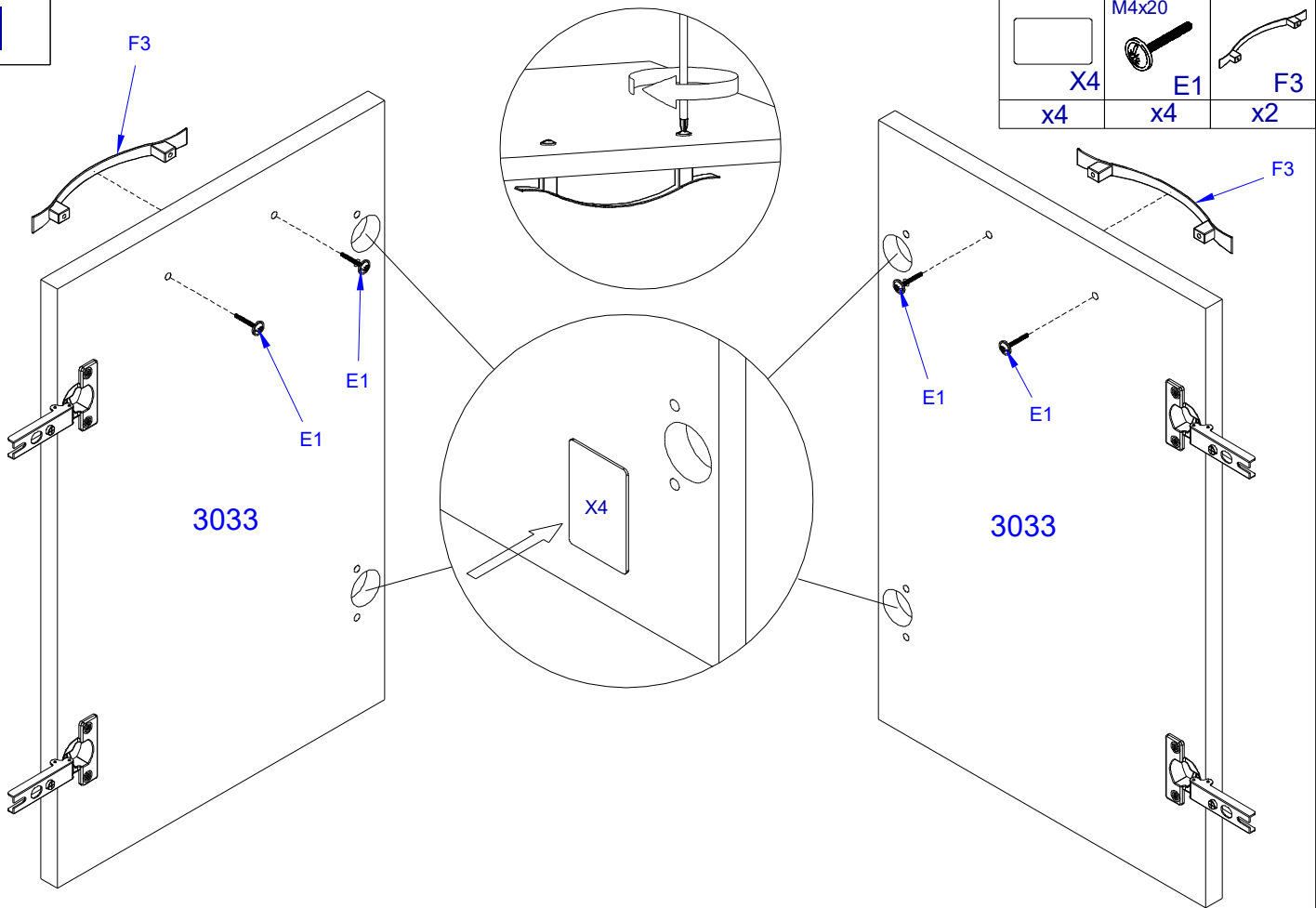
x4



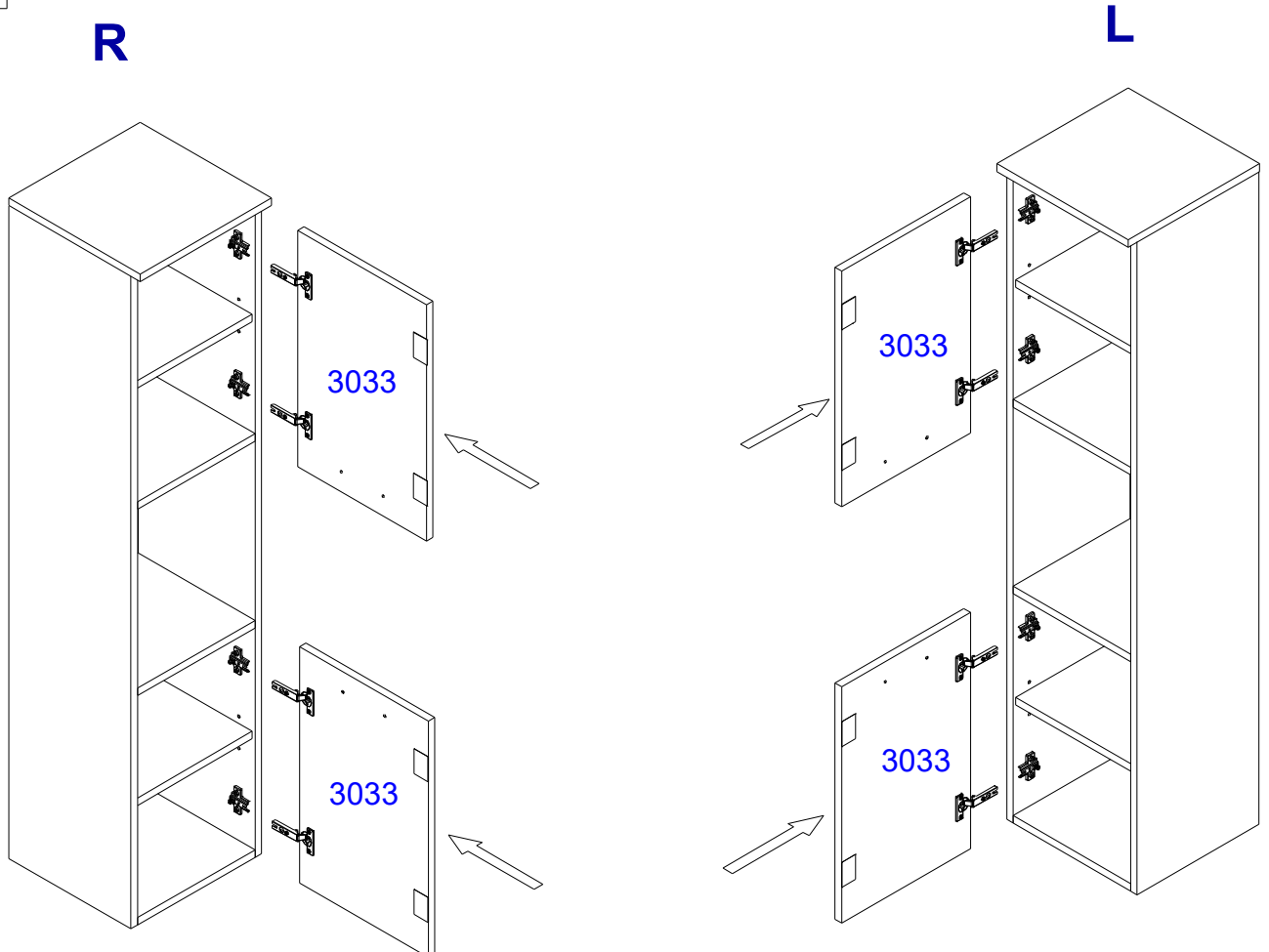
L



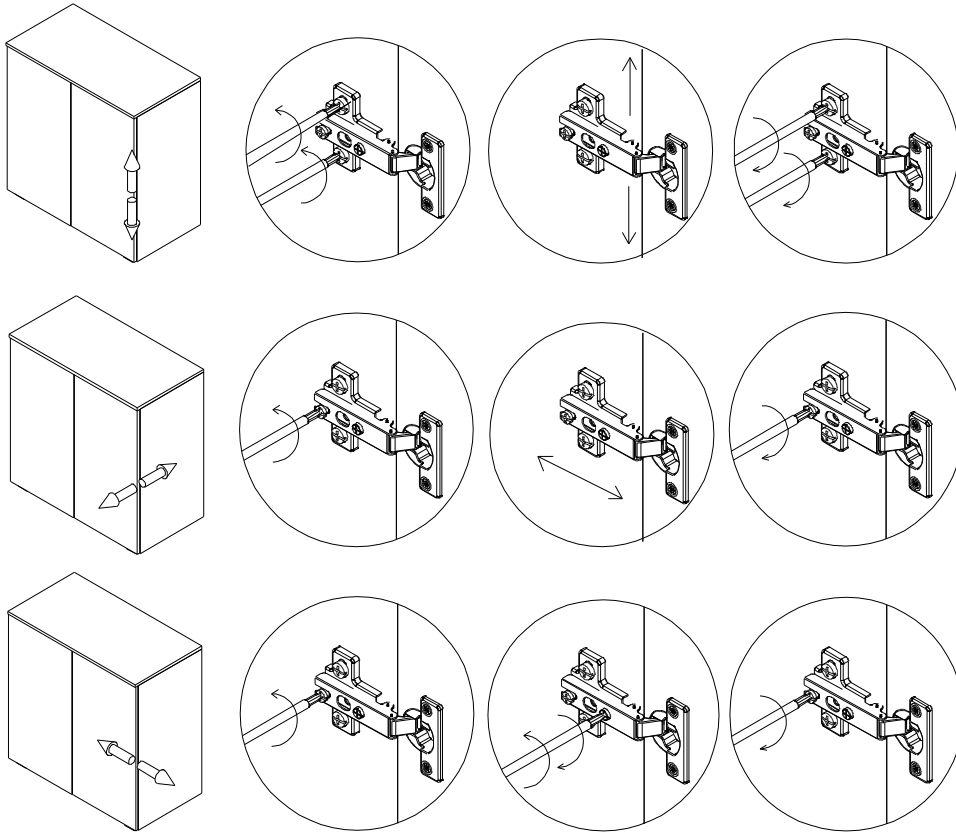
XI



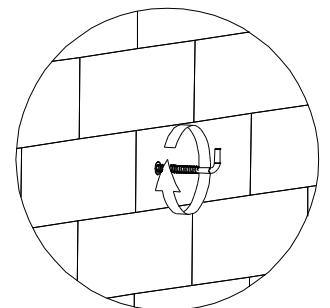
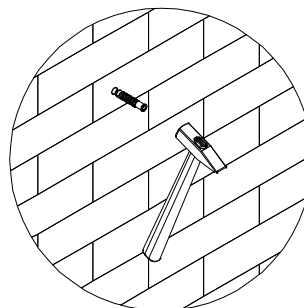
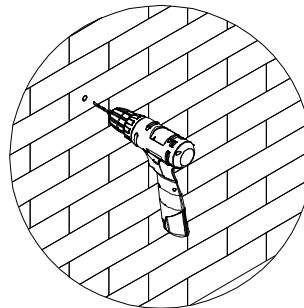
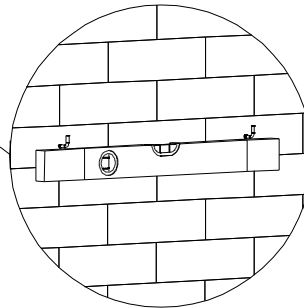
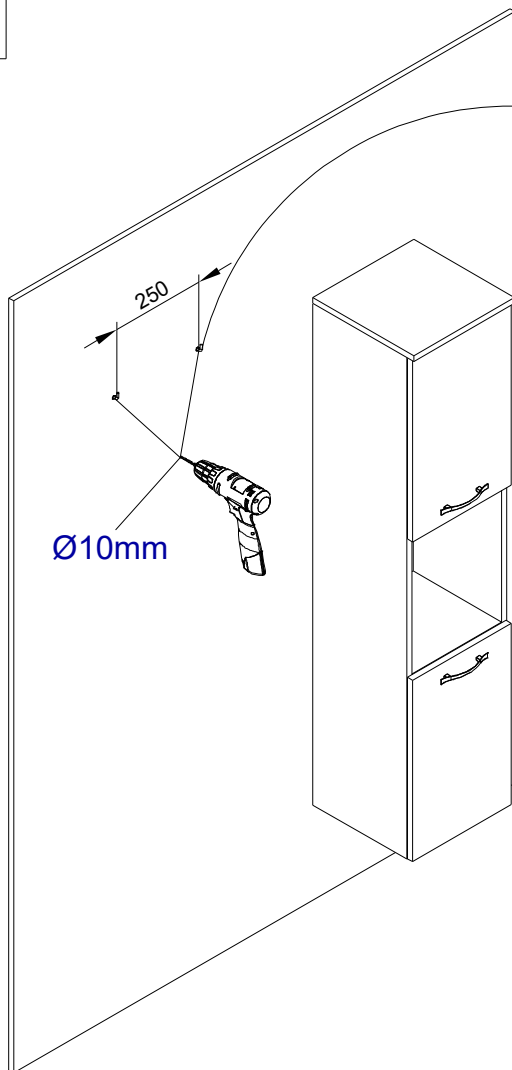
XII



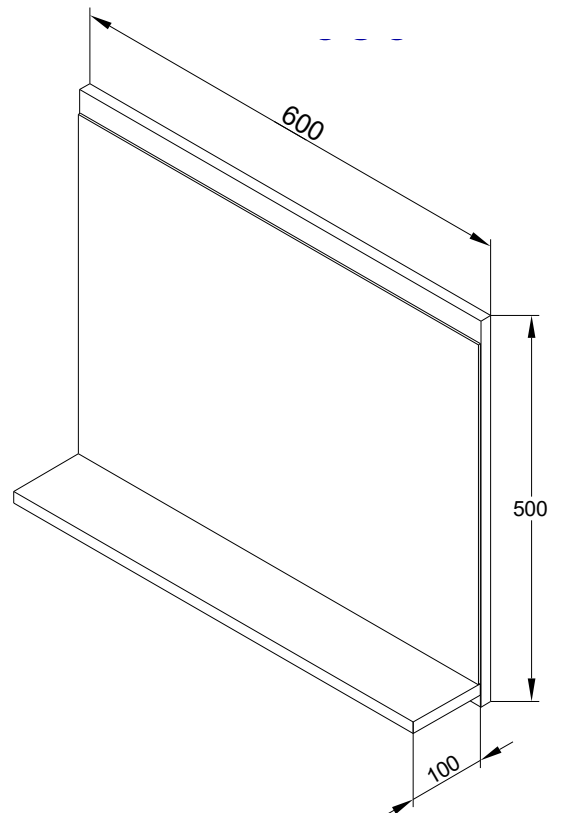
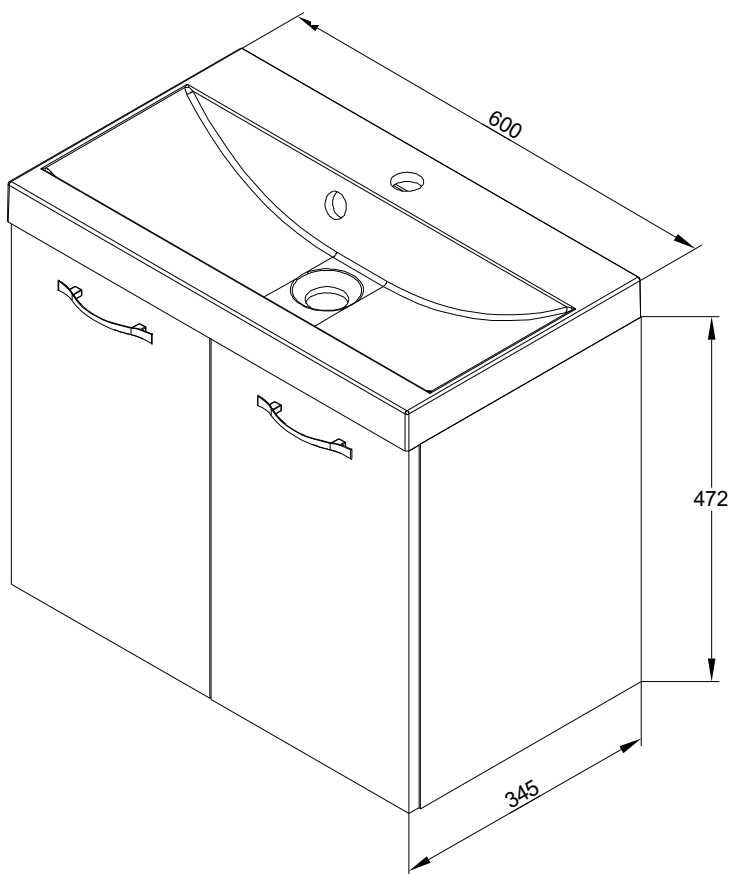
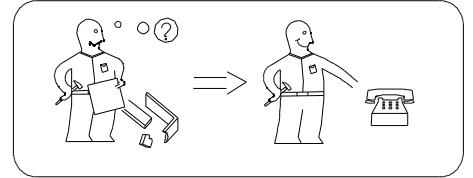
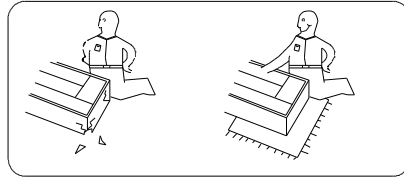
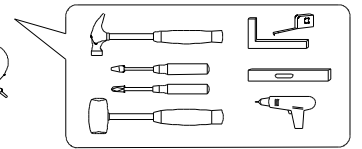
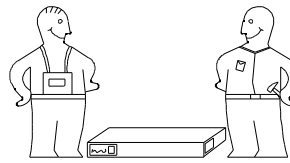
XIII




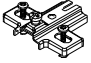
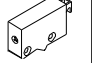


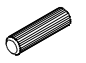
XIV




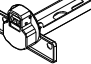


$\text{Ø}10 \times 50$
KR
x2





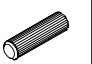



I-III

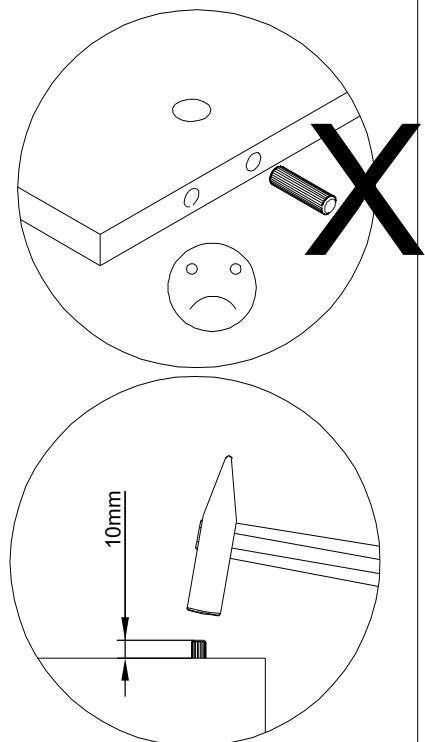
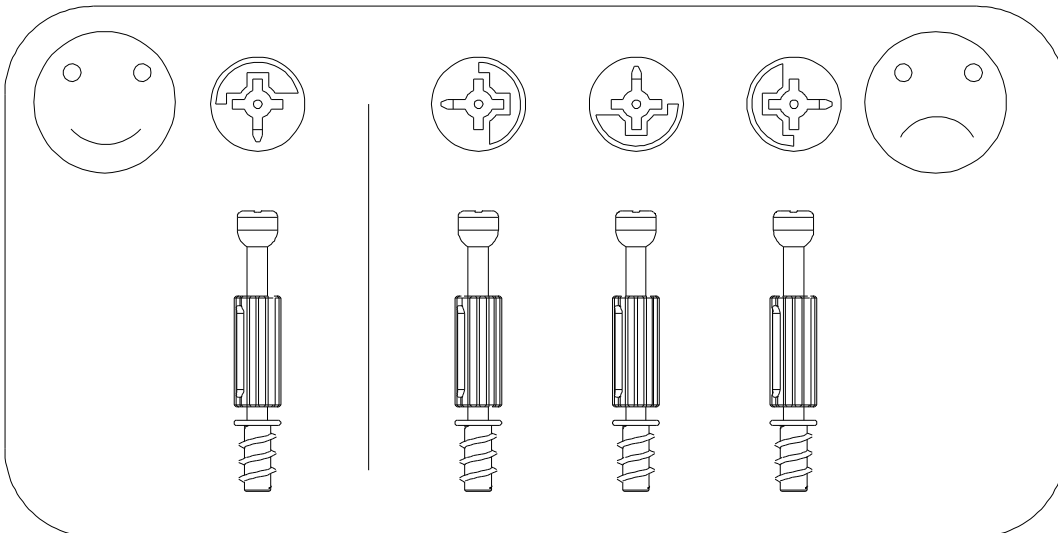
					
A	L	G	H1	B	D
x8	x4	x2	x4	x8	x12

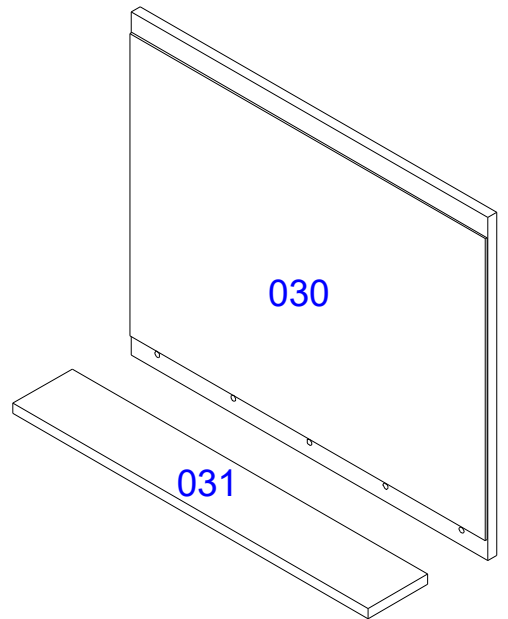
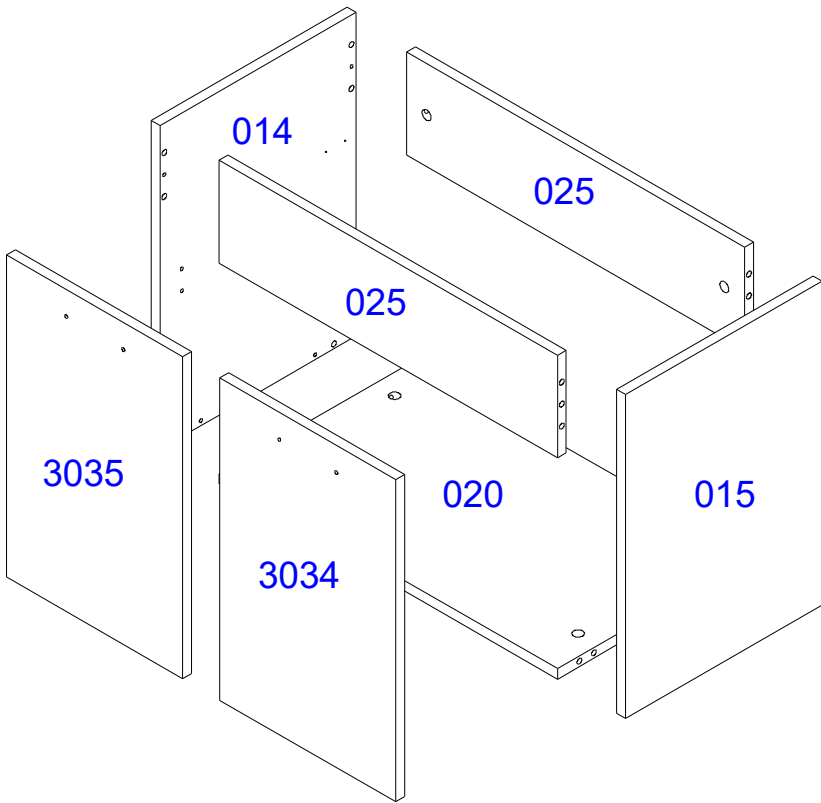
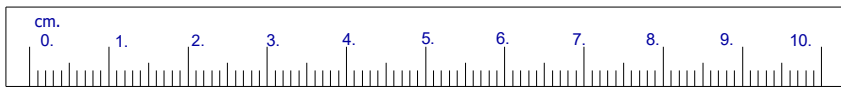
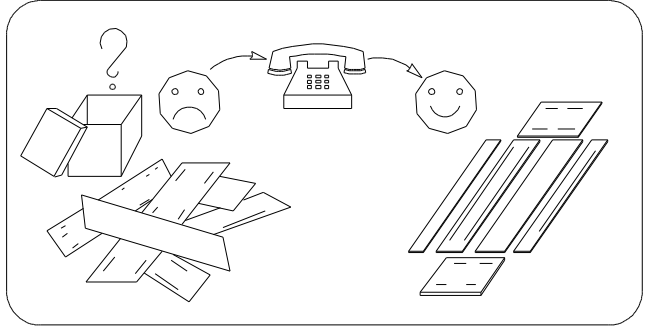
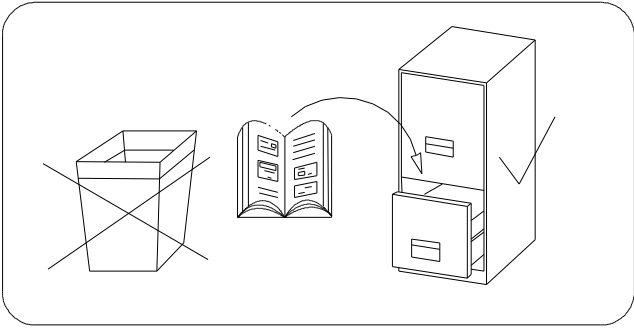
IV-VII

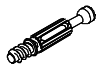
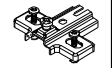
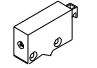

			
F3	Z	F2	E1
x2	x4	x8	x4

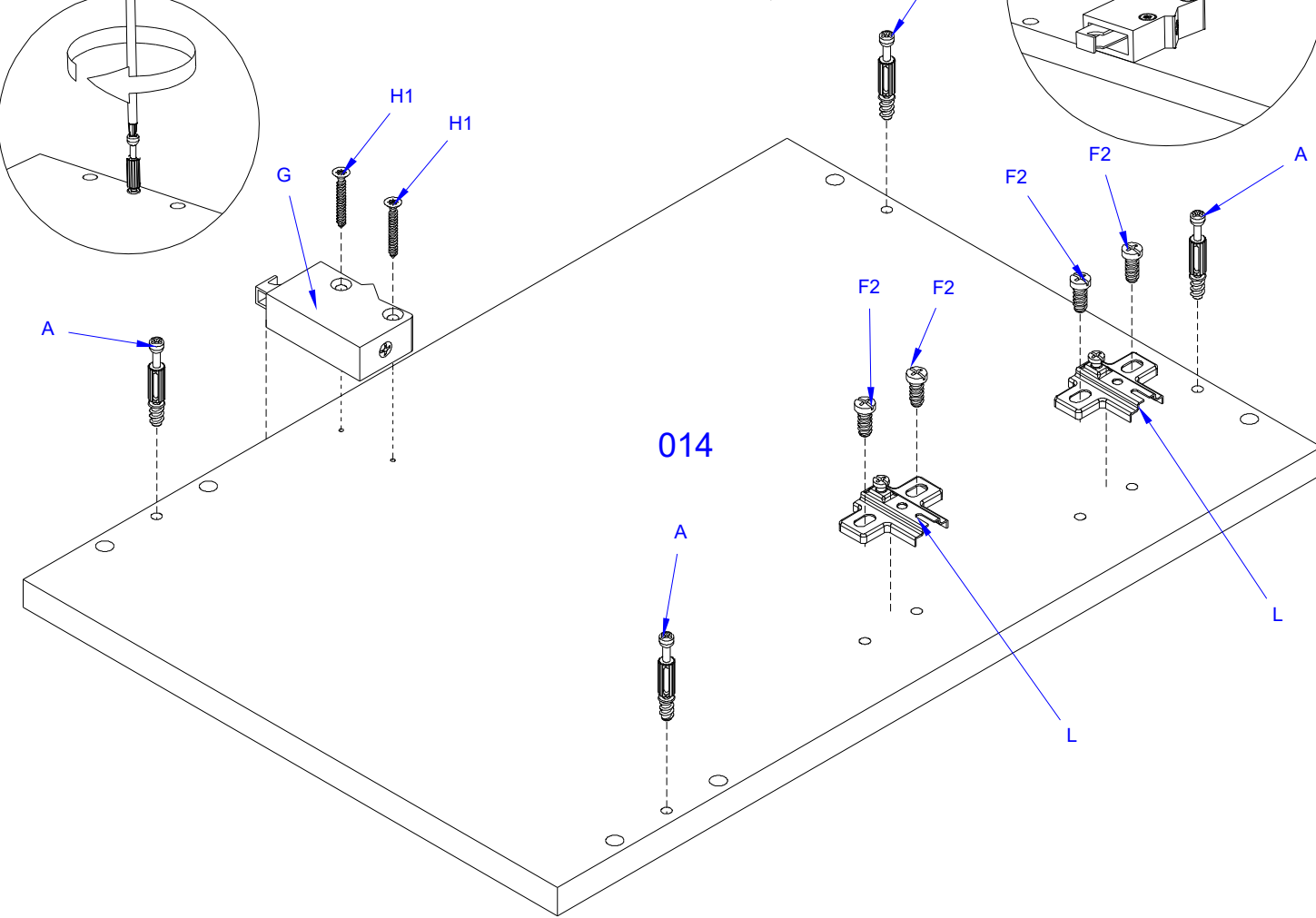
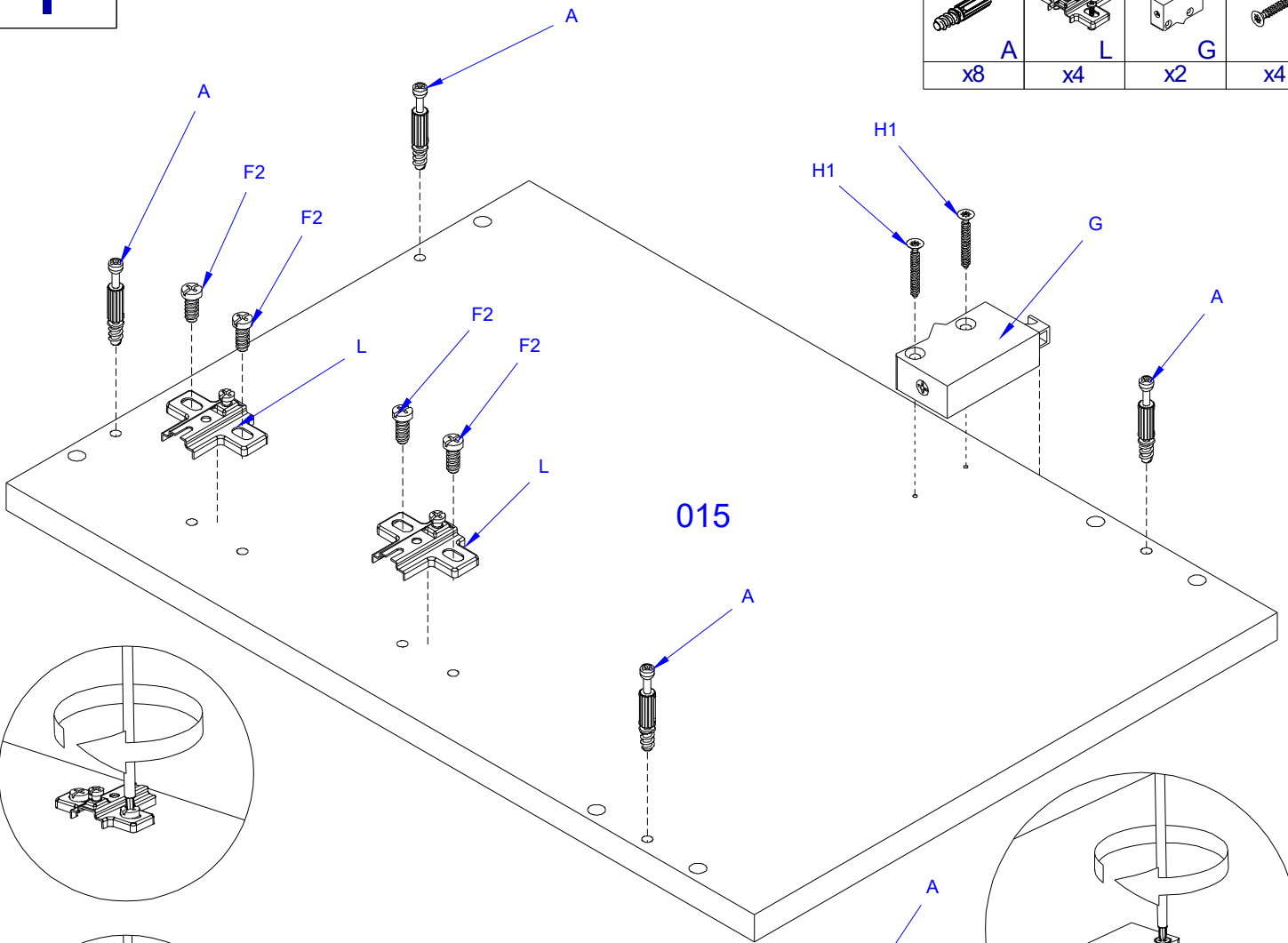
VIII-XII

					
H	Y1	D	O	U	KR
x4	x2	x2	x3	x1	x4

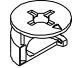
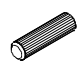


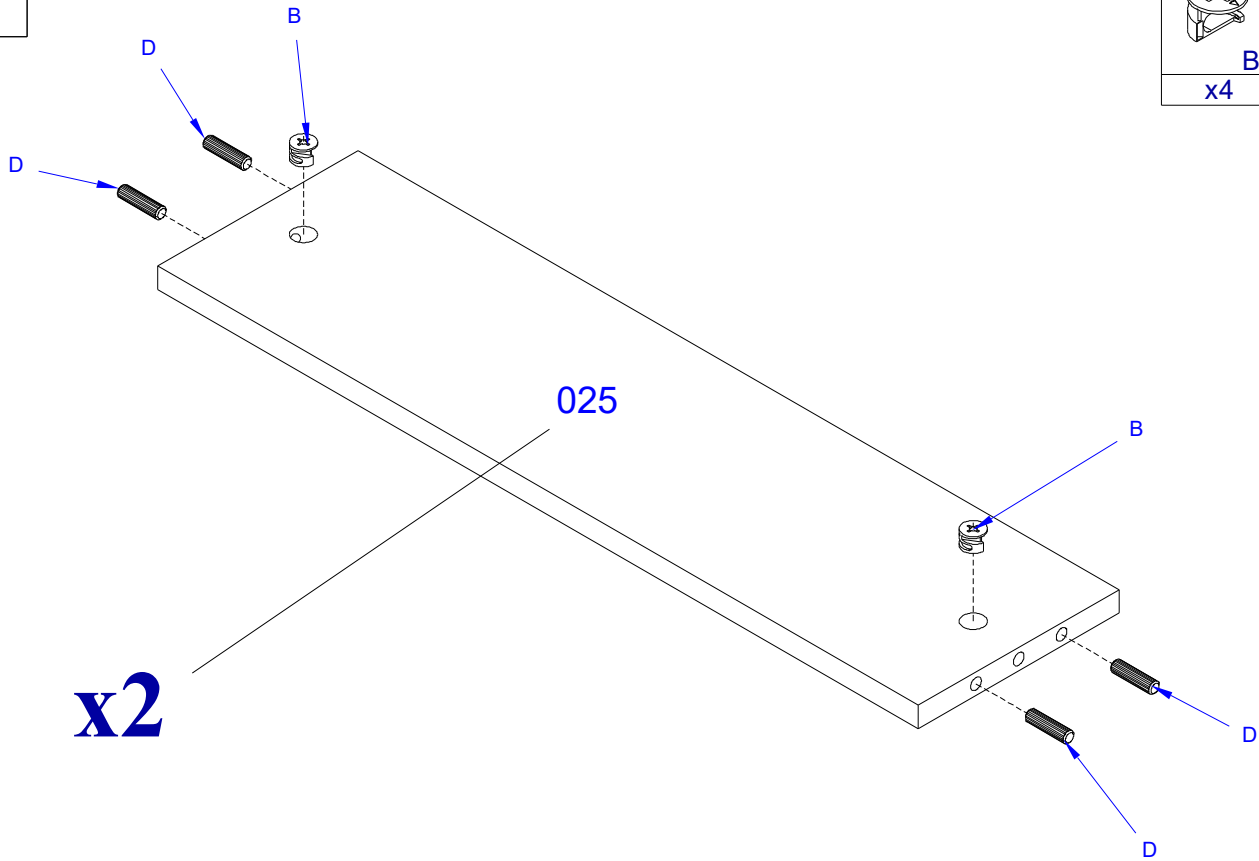


			4x30 
A	L	G	H1
x8	x4	x2	x4

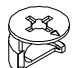



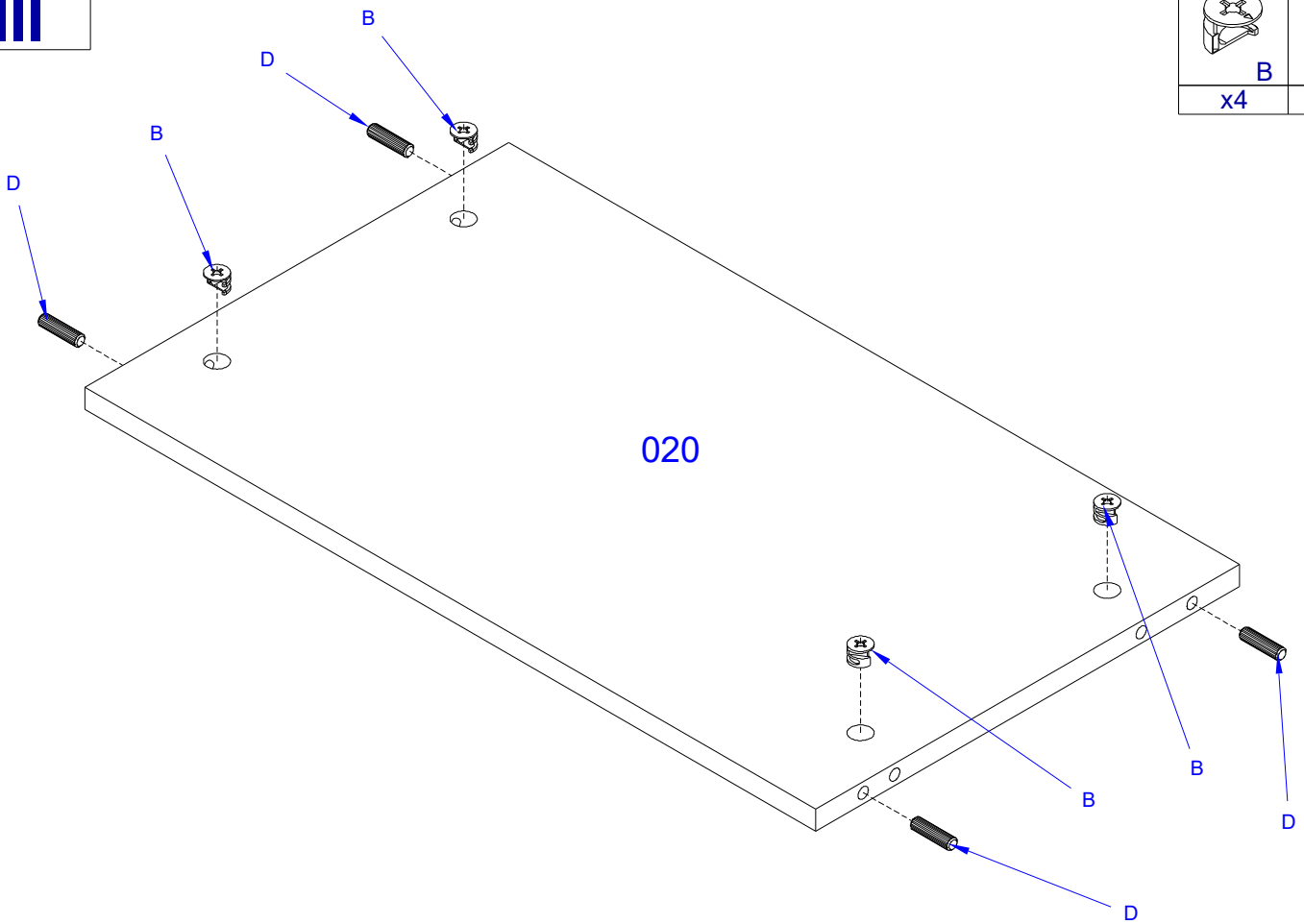
II

	
B	D
x4	x8

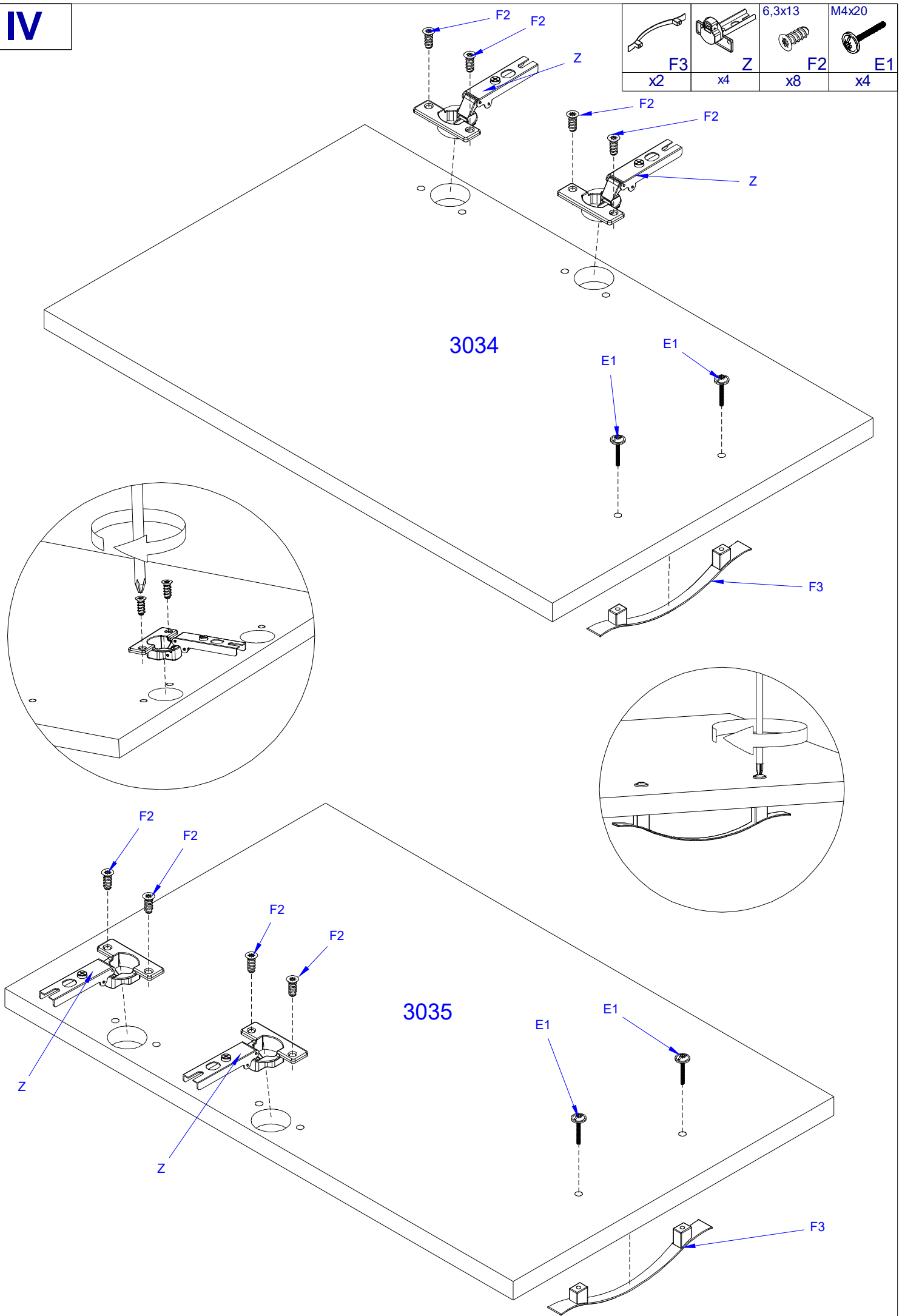


III

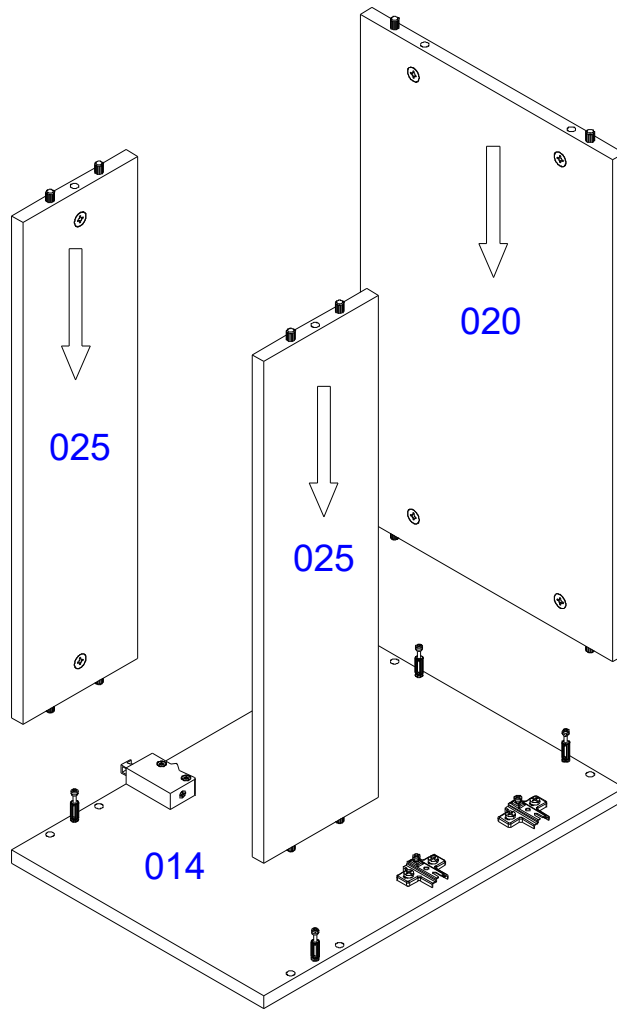
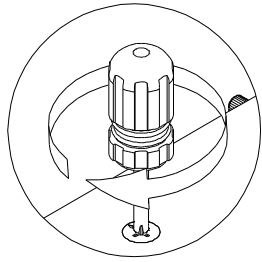
	
B	D
x4	x4



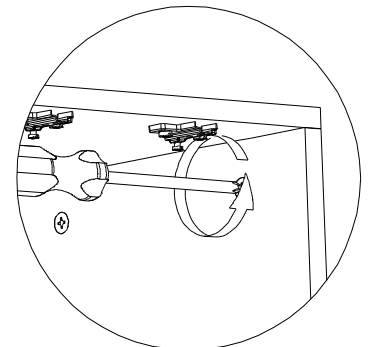
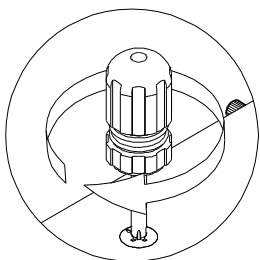
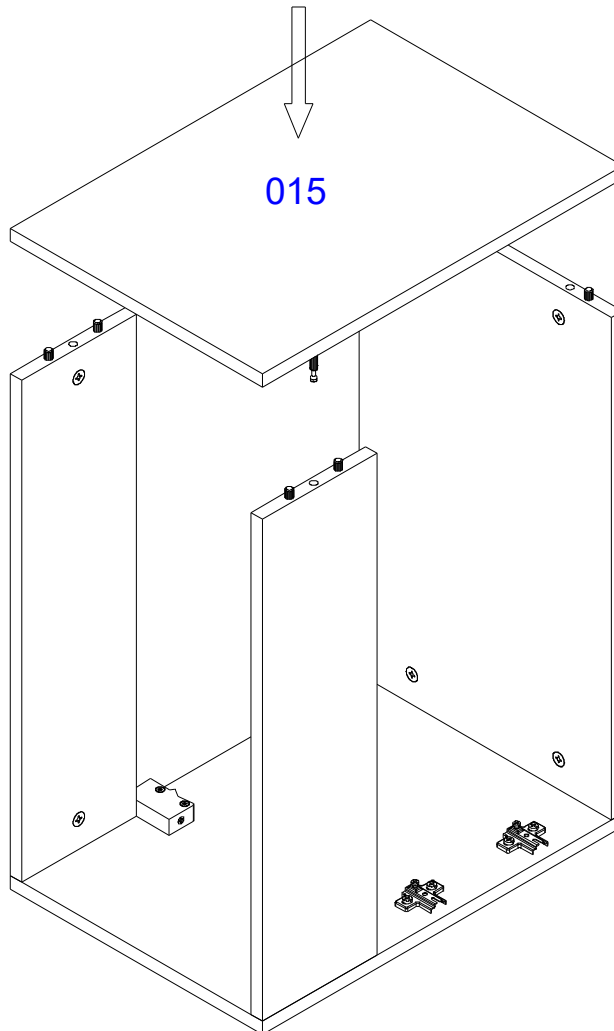
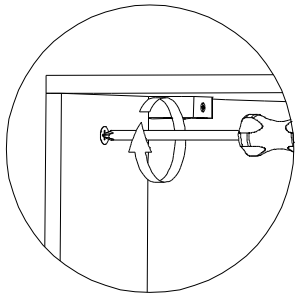
IV

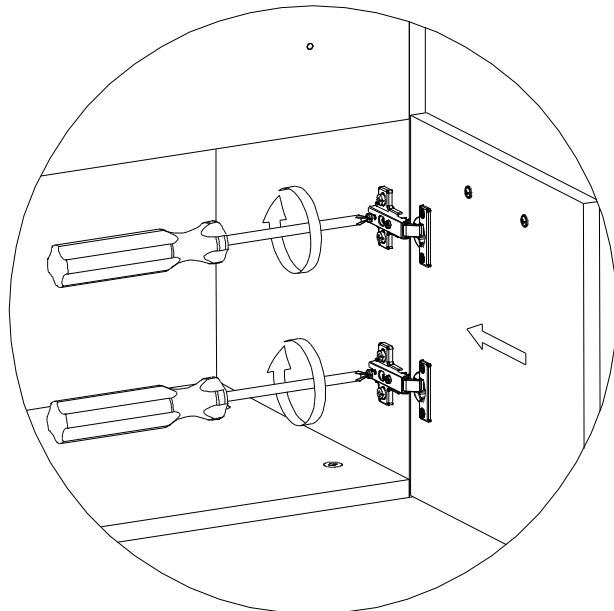
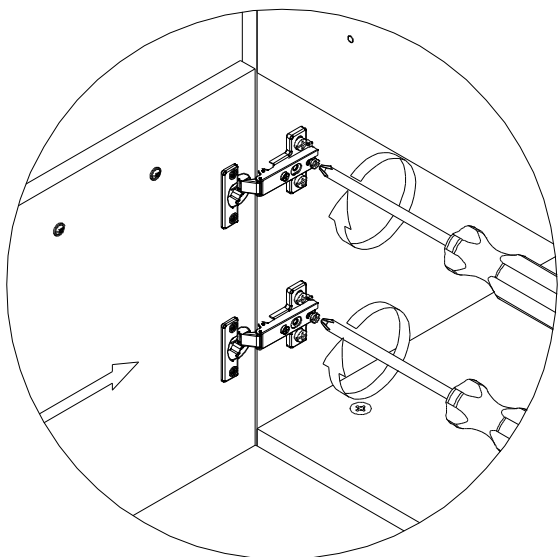
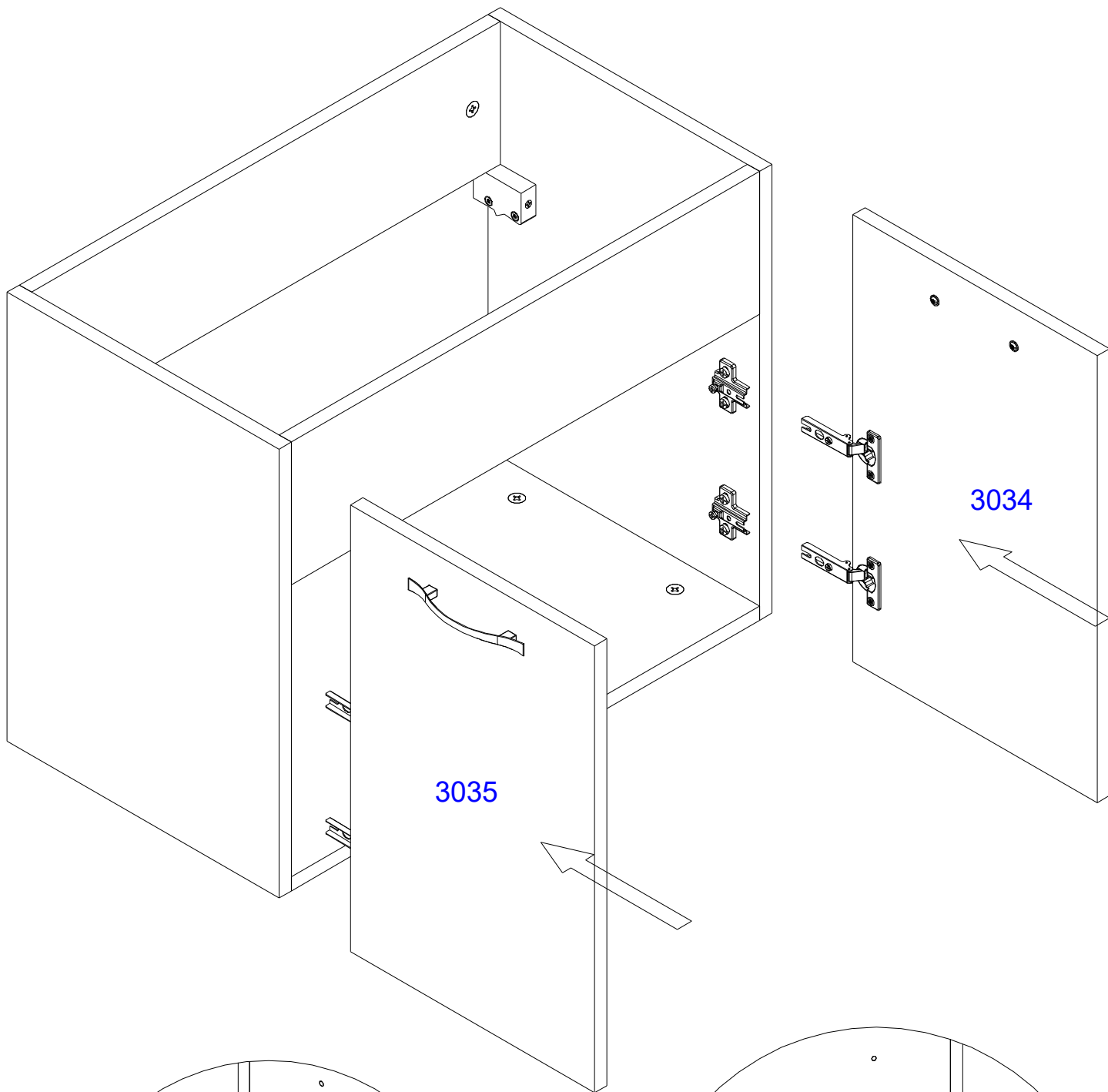


V

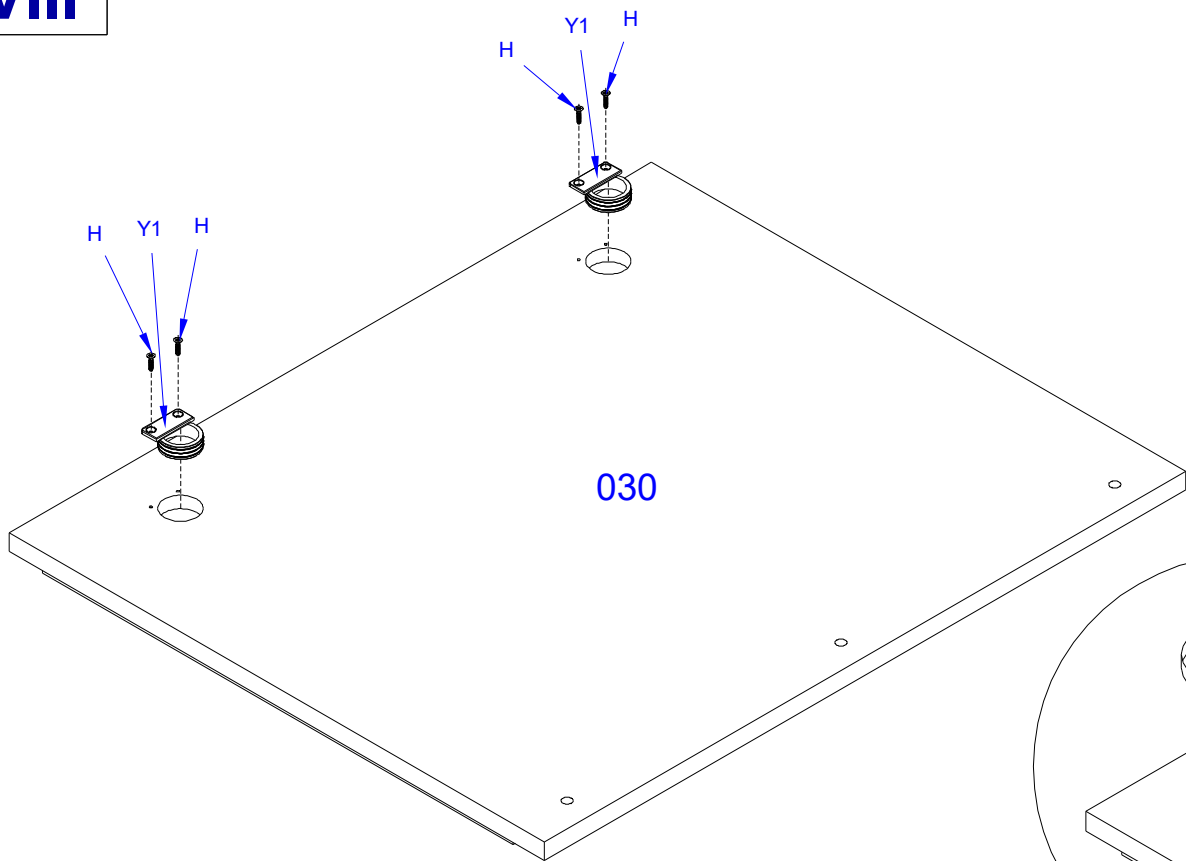


VI





VIII



3x13



H

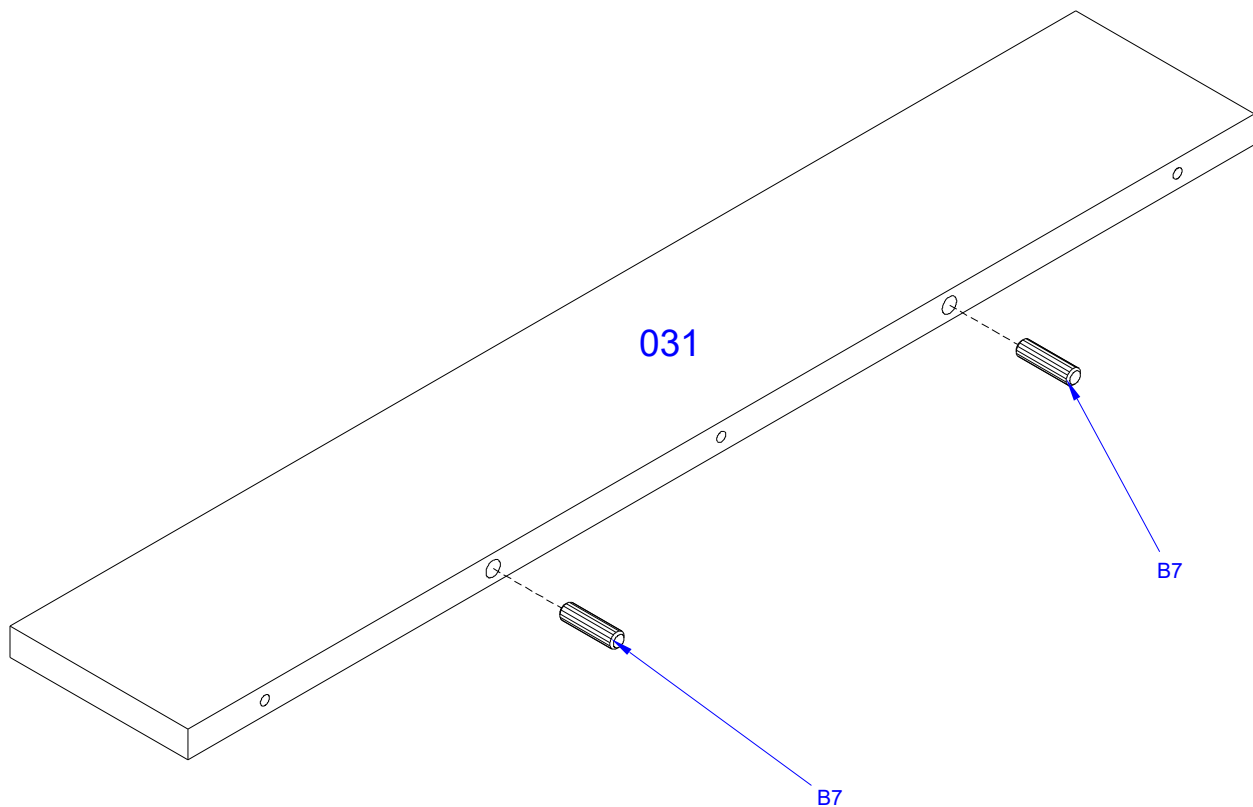
x4



Y1

x2


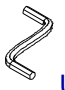
IX

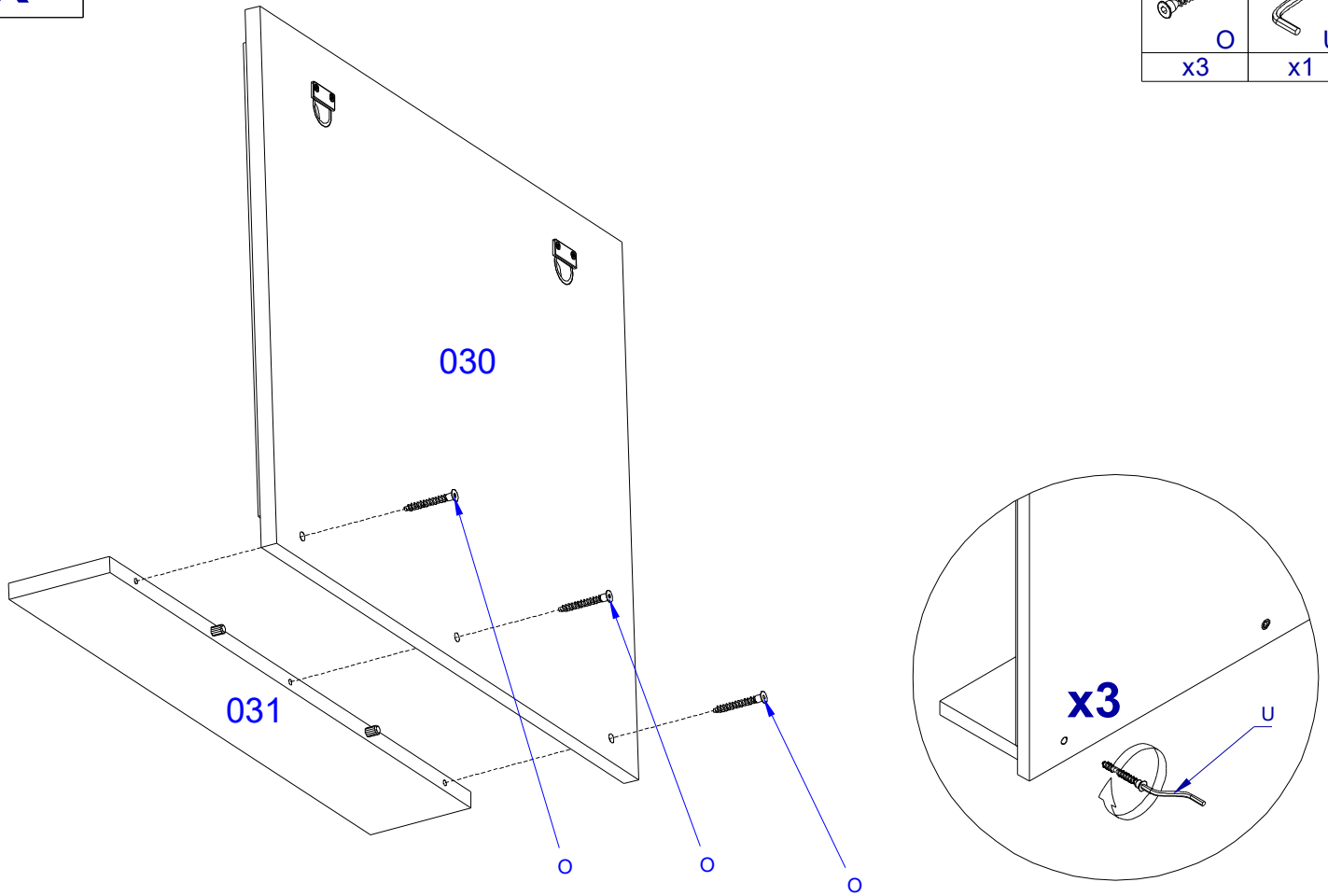
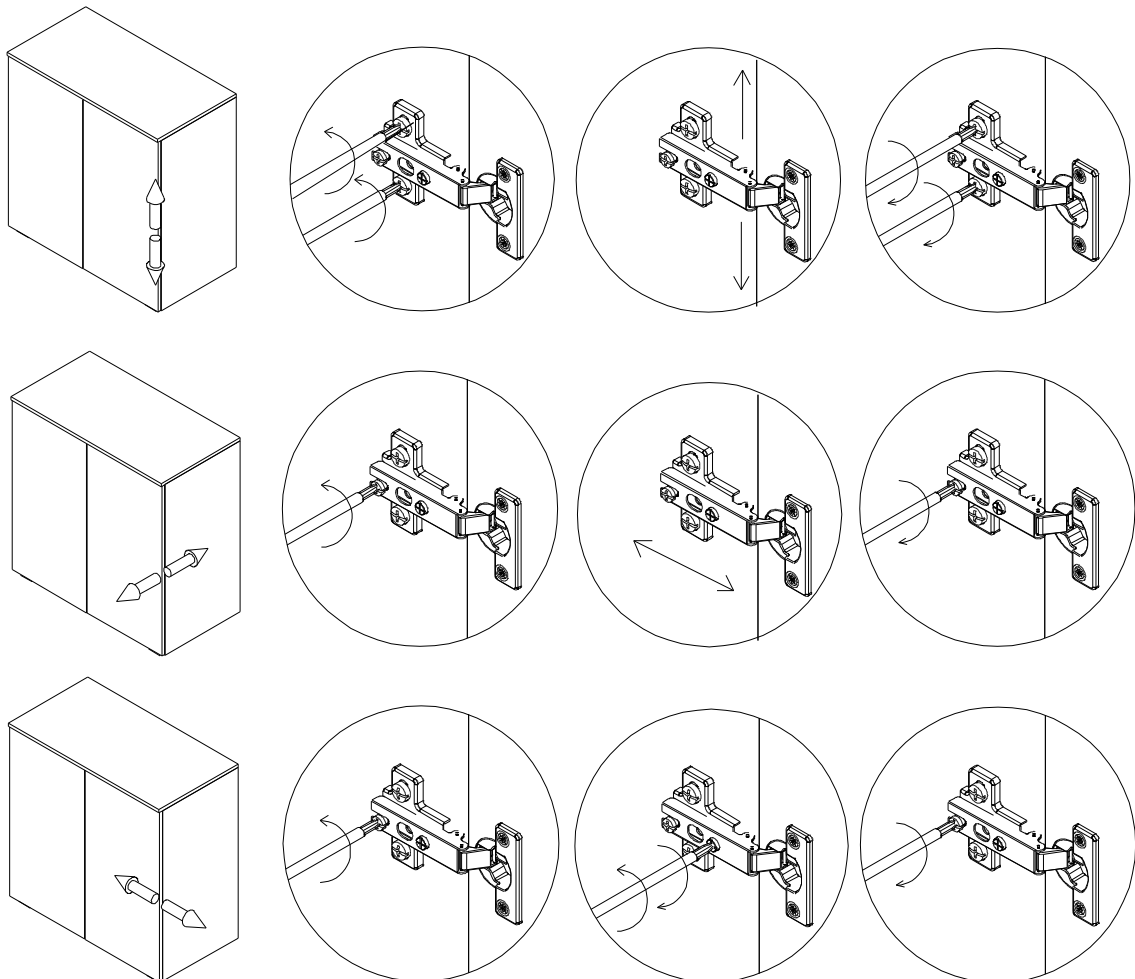


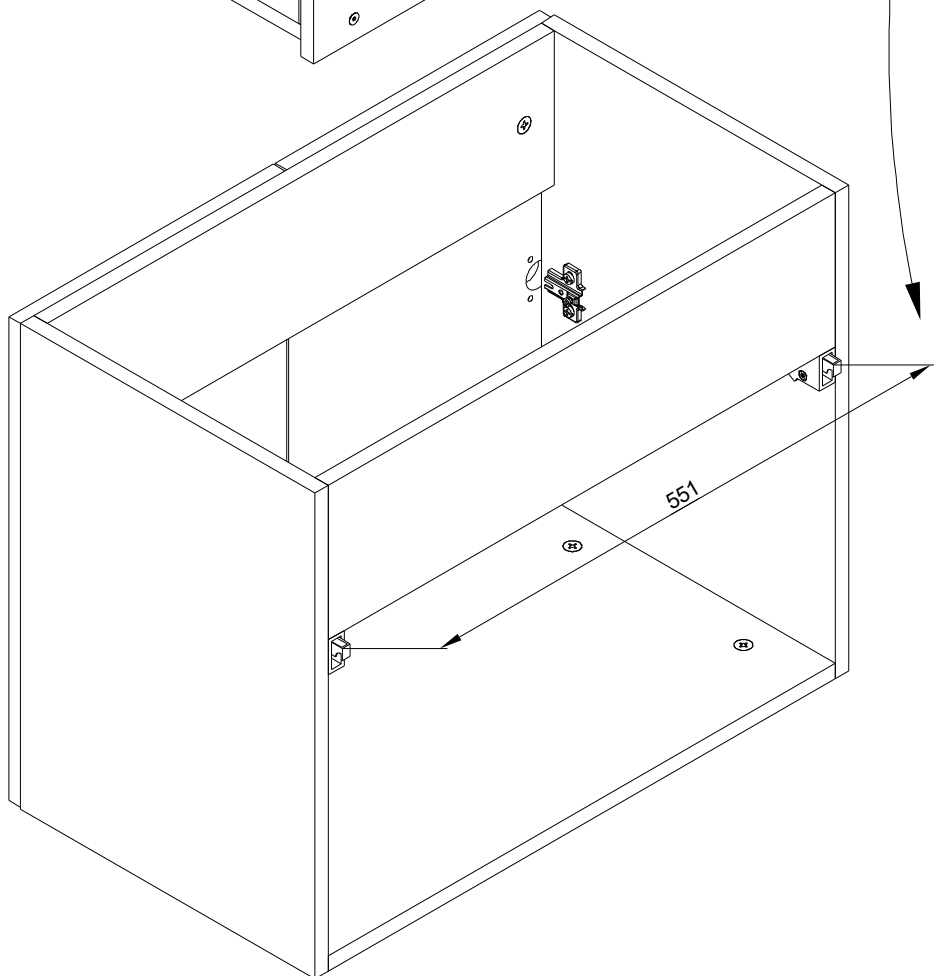
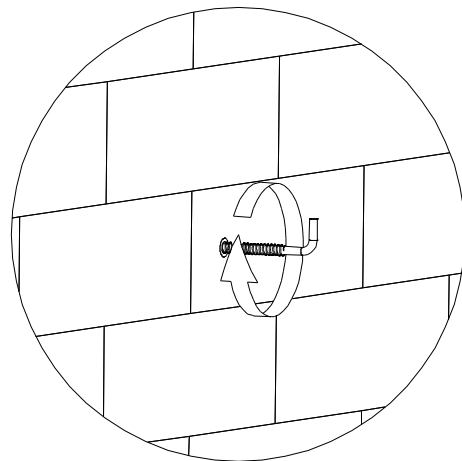
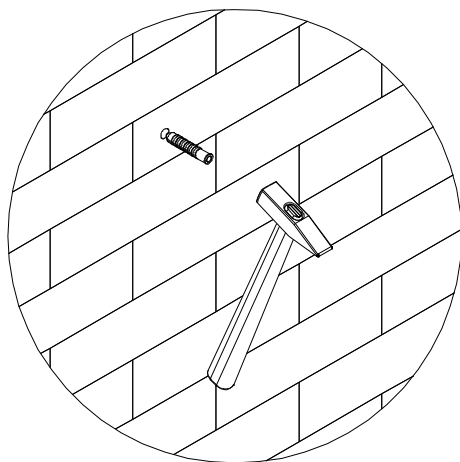
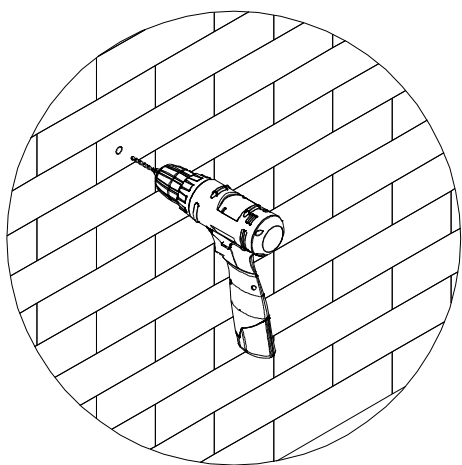
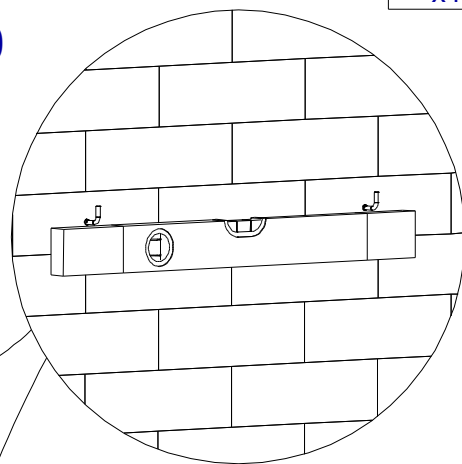
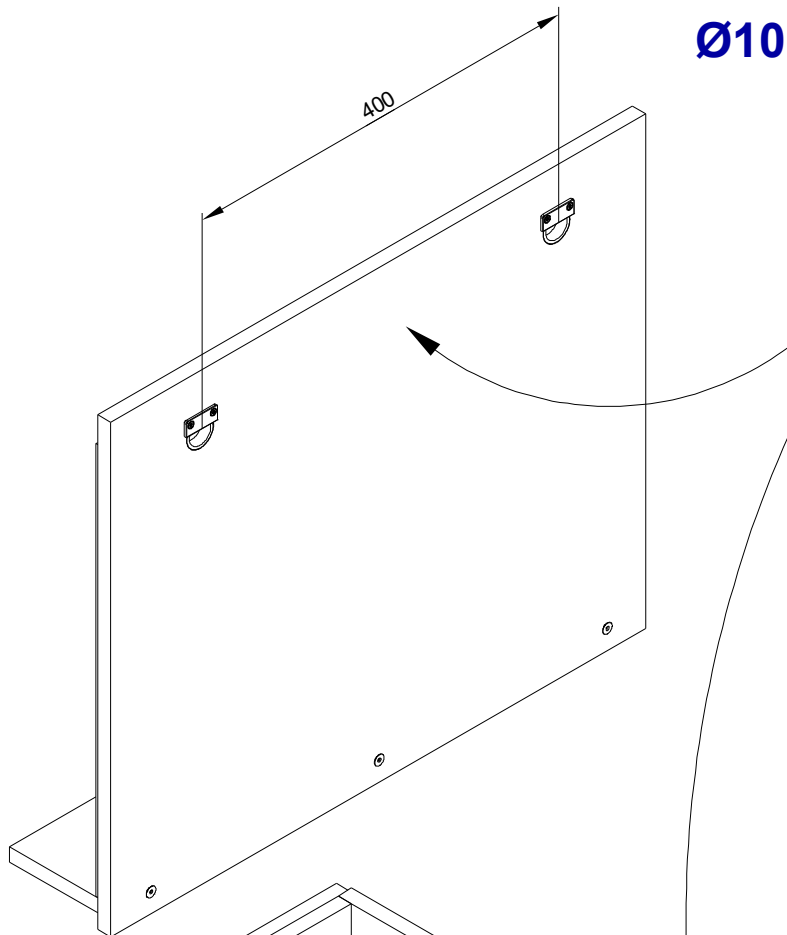
D

x2

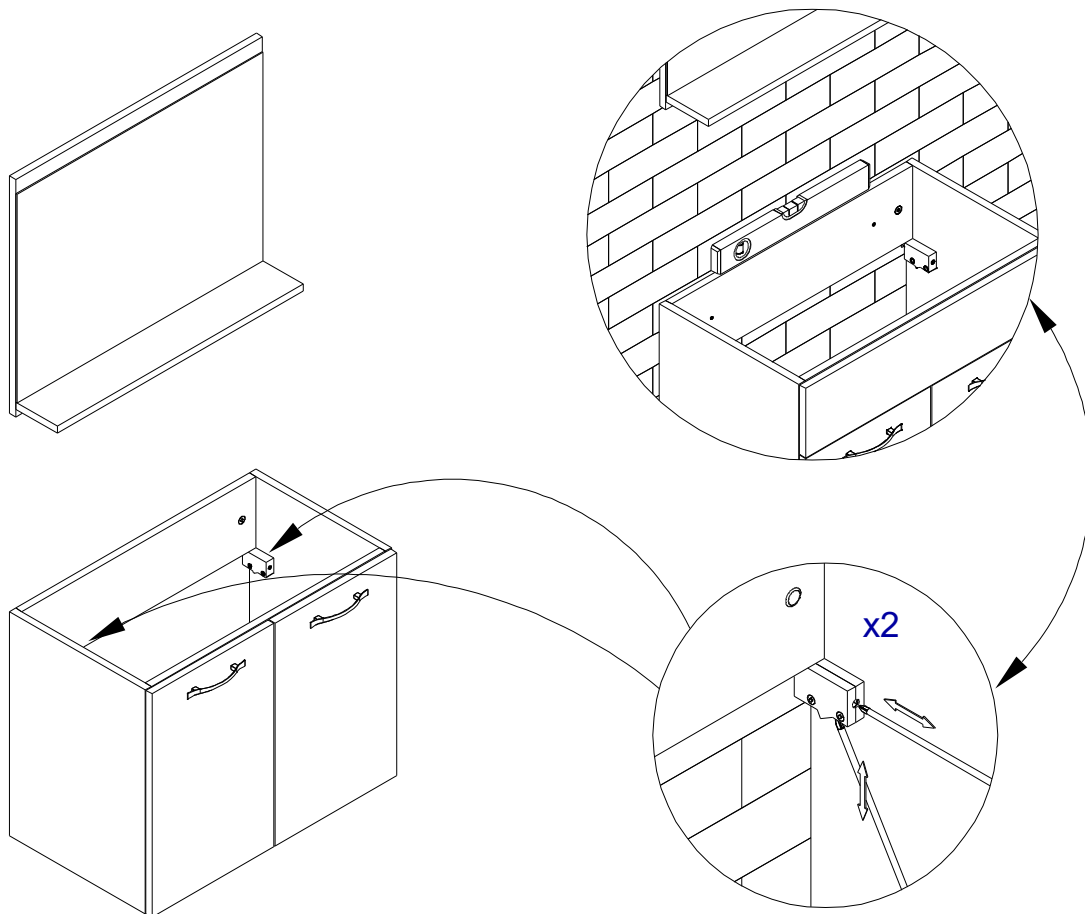
X

7x50		
	O	U
	x3	x1

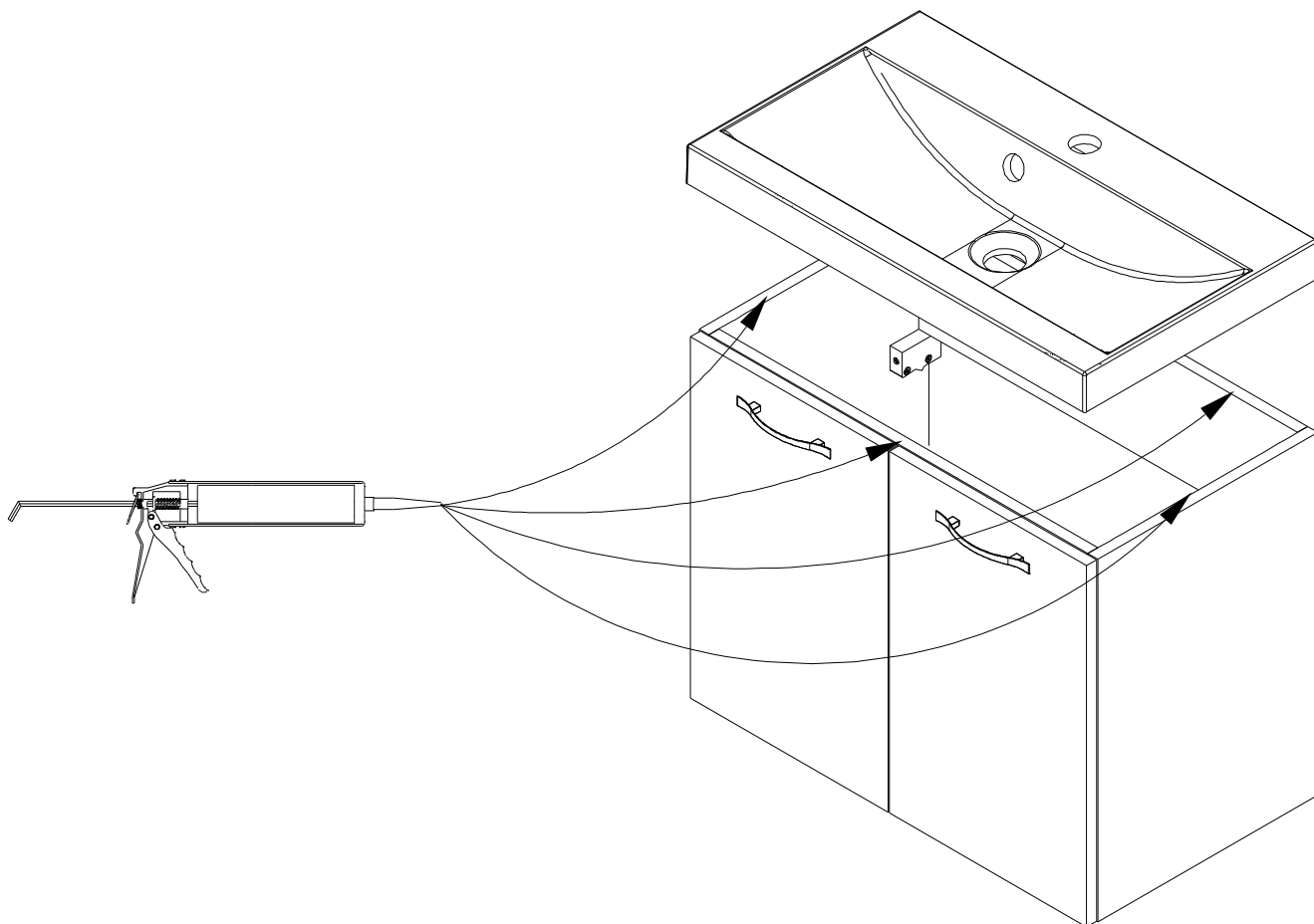
**XI**

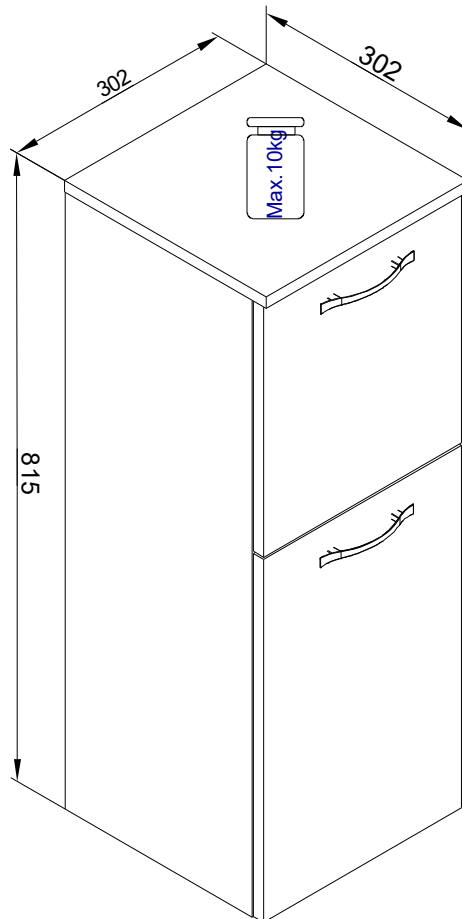
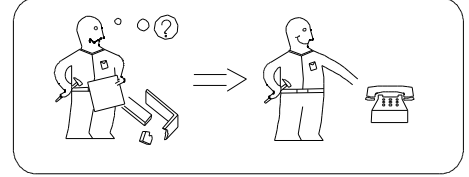
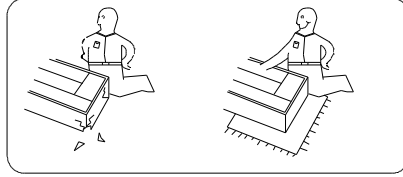
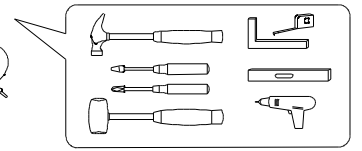
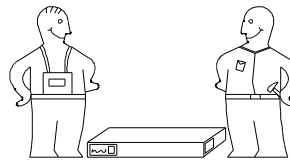


XIII


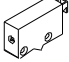


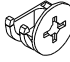




XIV


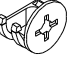
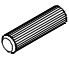







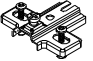
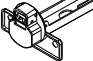



I

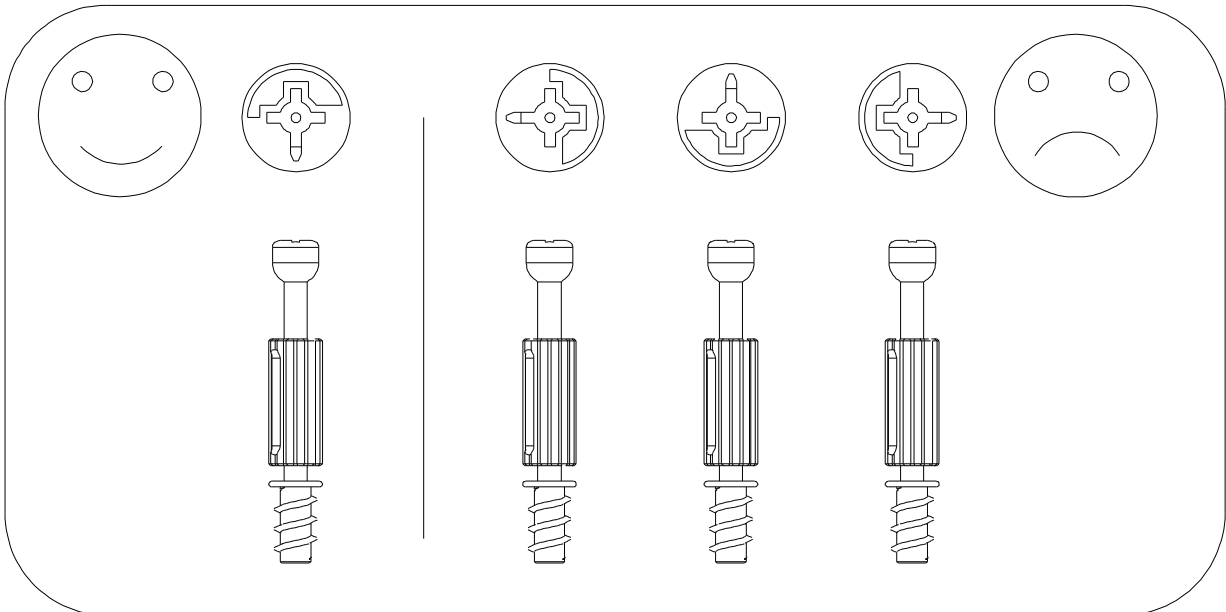
						
R	G	H1	D	B	S	A
x1	x2	x4	x4	x2	x4	x4

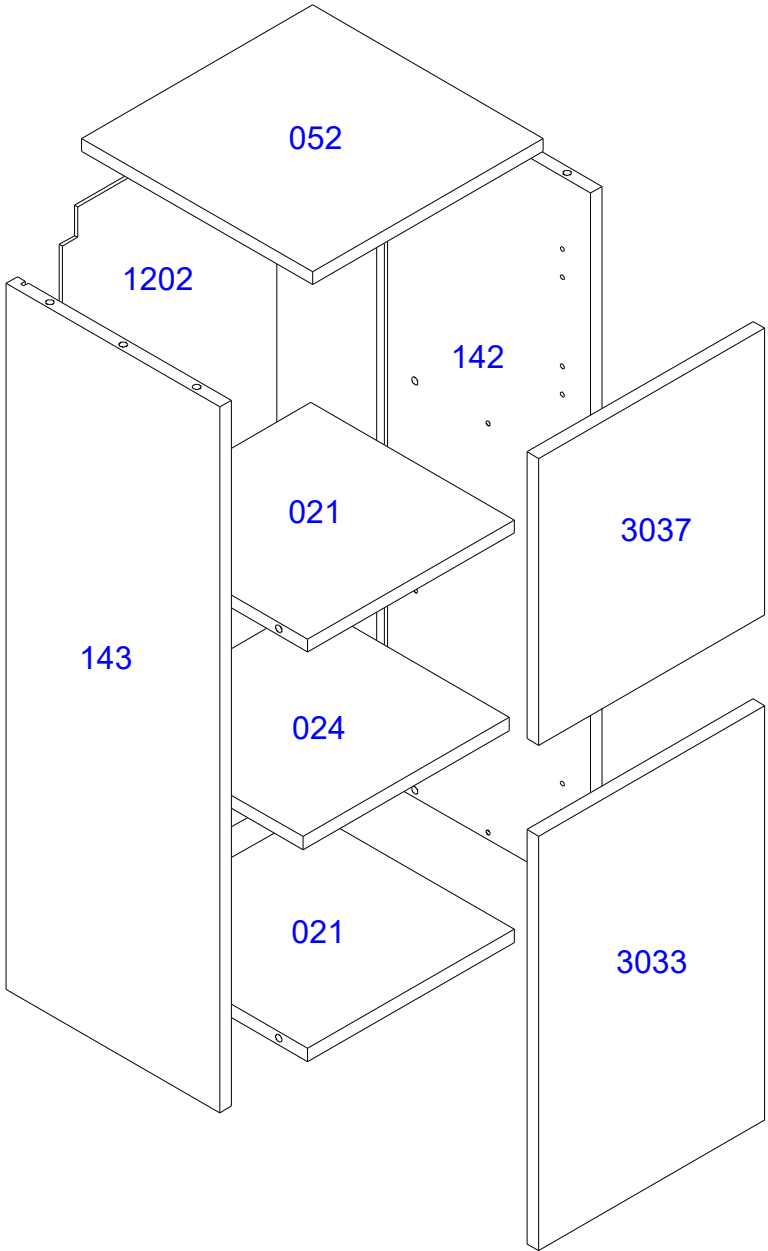
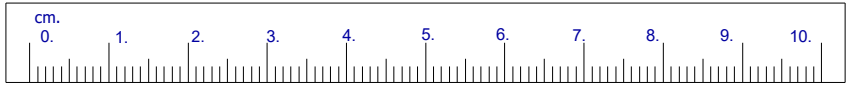
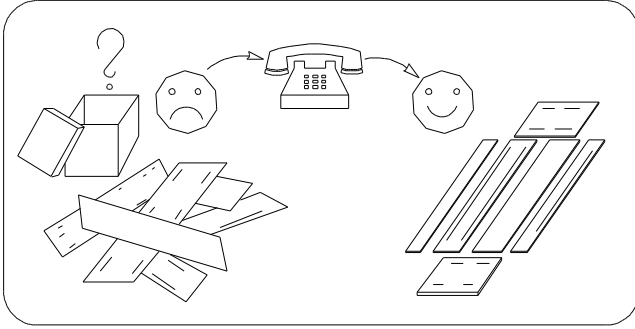
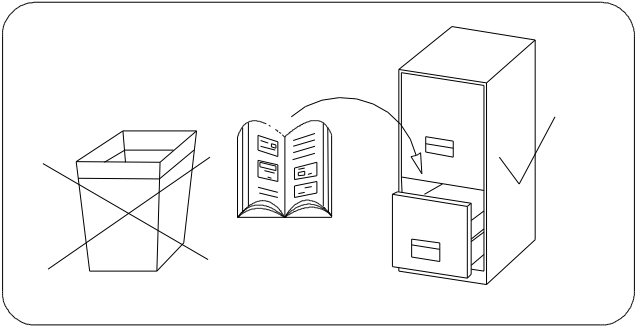
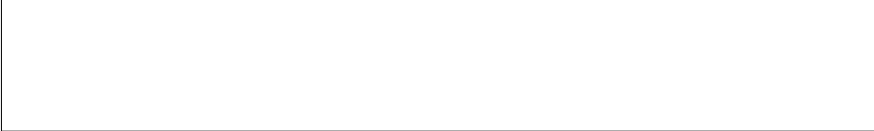
II-VII

				
A	B	D	F3	E1
x2	x4	x8	x2	x4


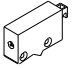

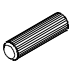
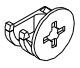

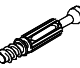
VIII-XIV

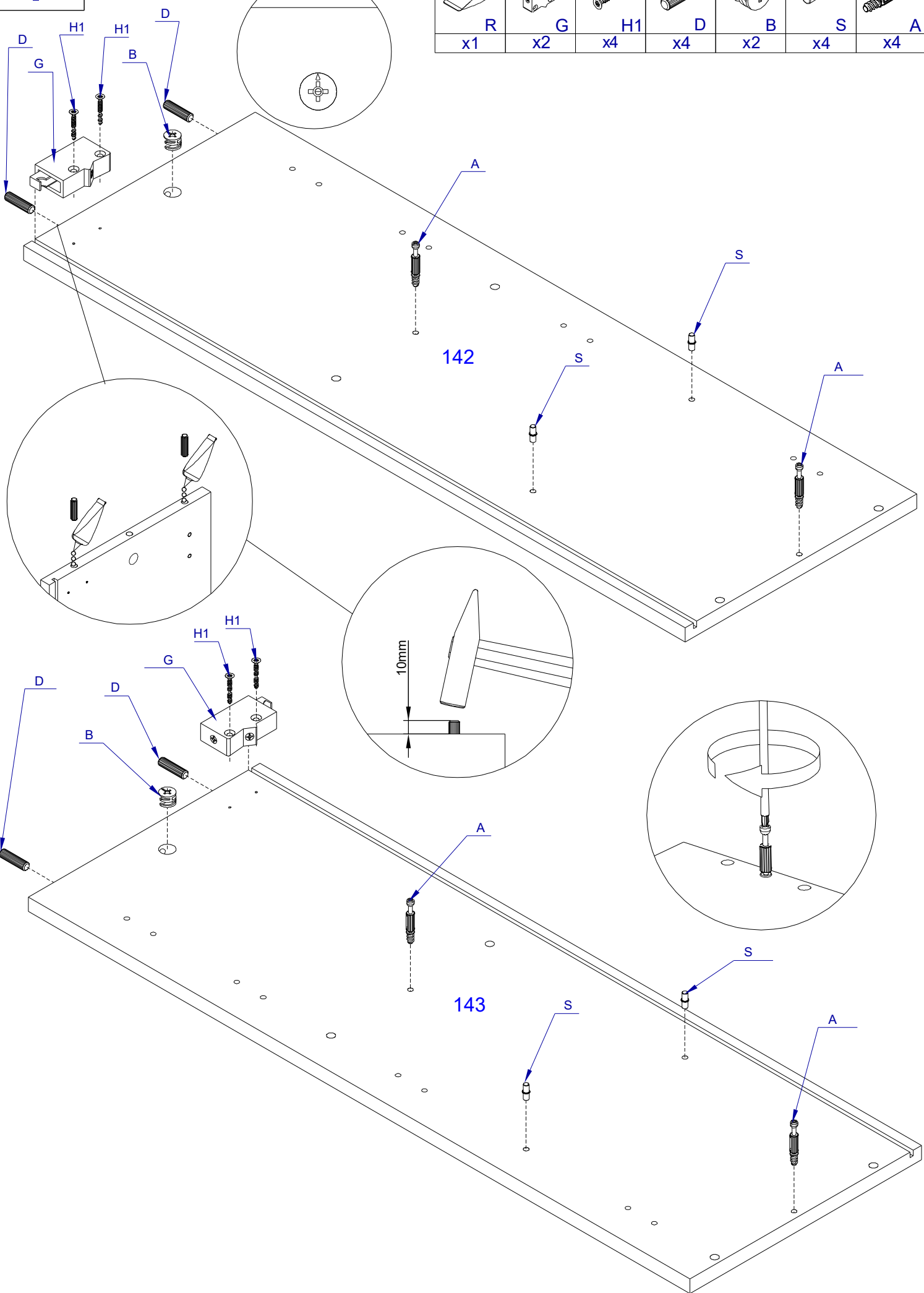
					
I	L	Z	F2	KR	X4
x4	x4	x4	x8	x2	x4



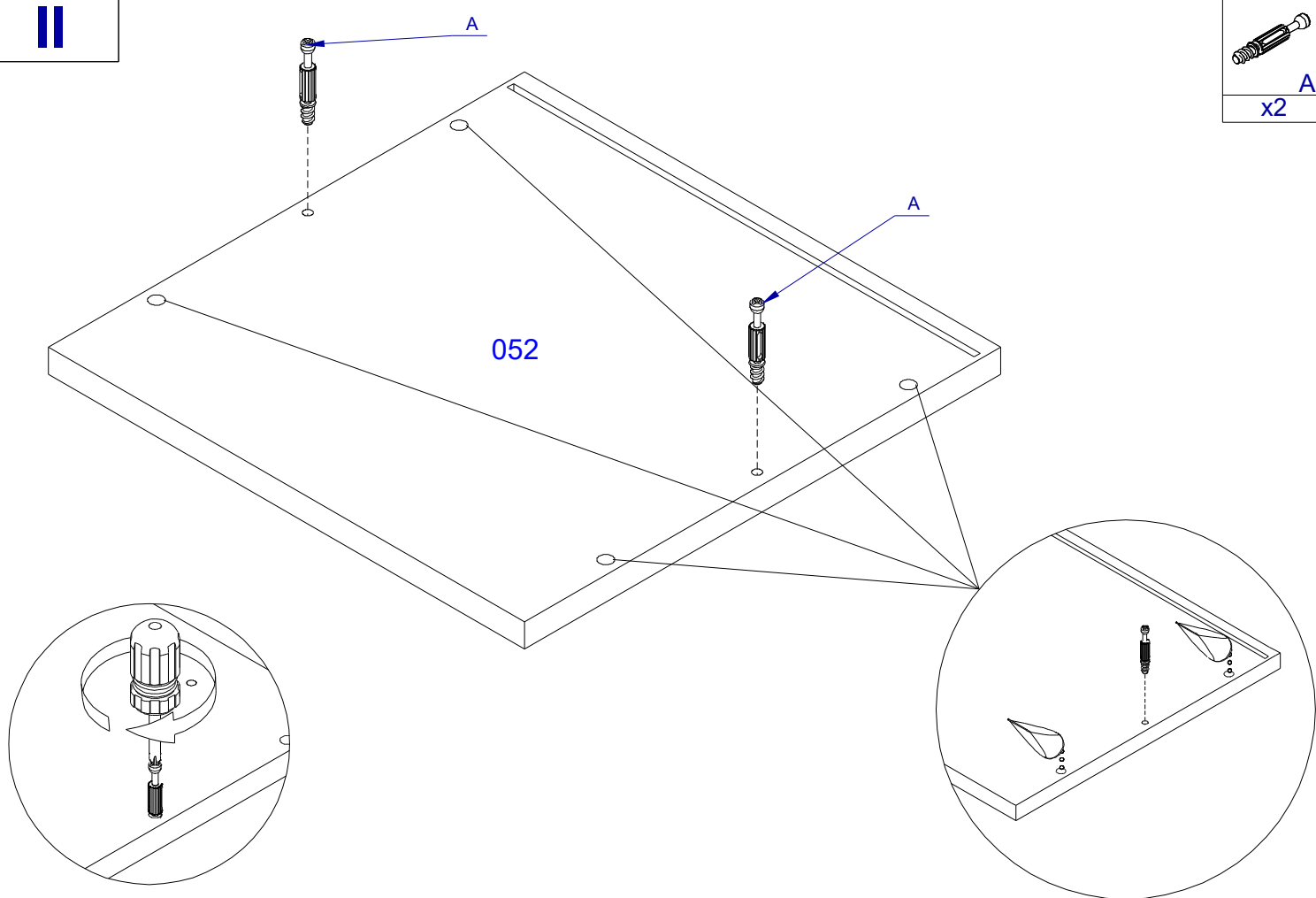


I

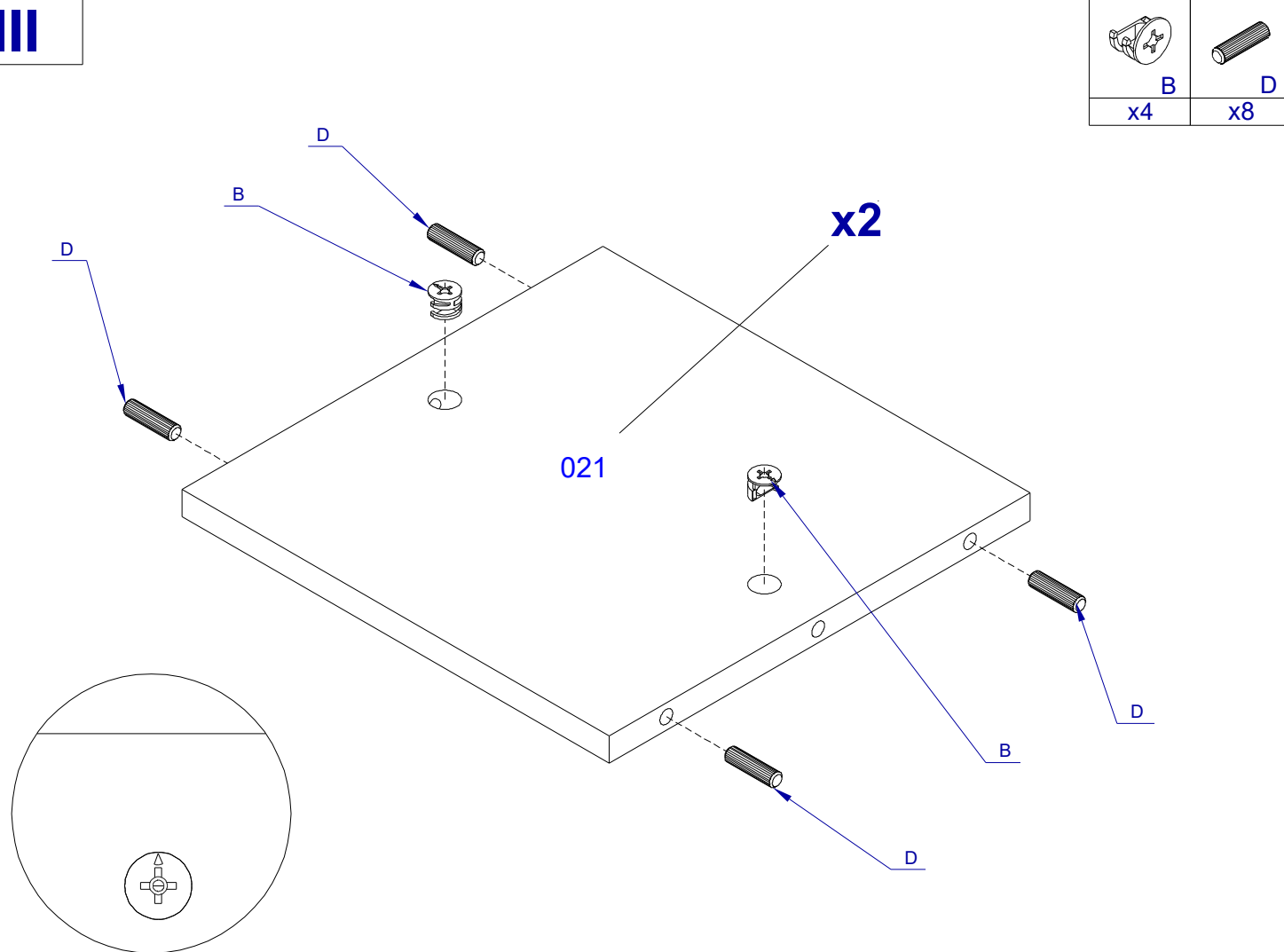
						
R	G	4x30 H1	D	B	S	A
x1	x2	x4	x4	x2	x4	x4



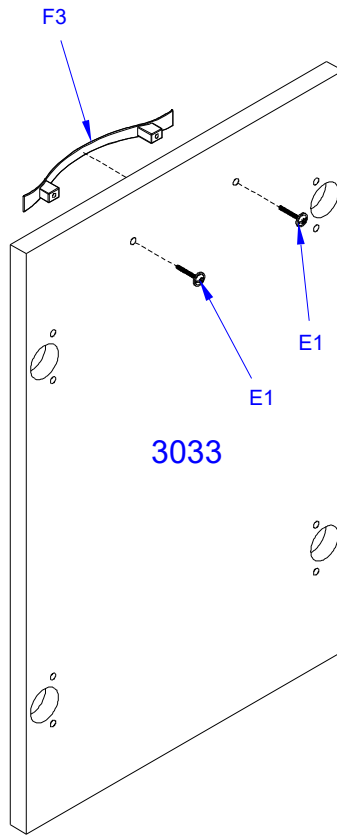
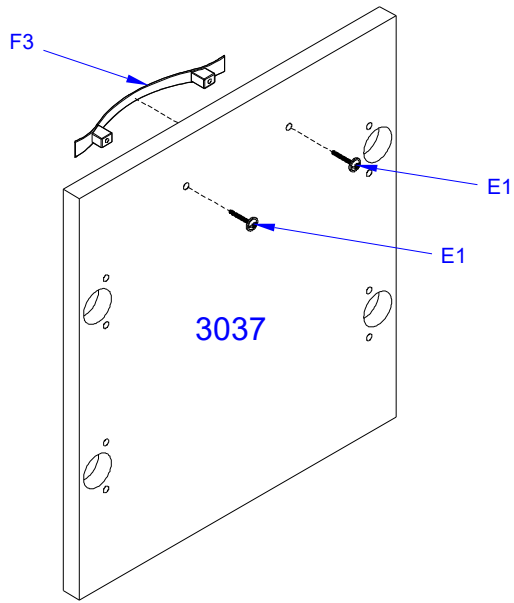
II





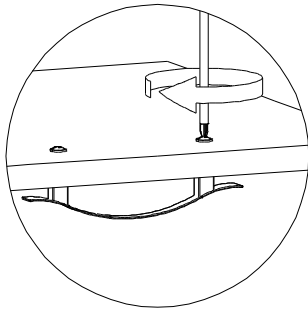
III



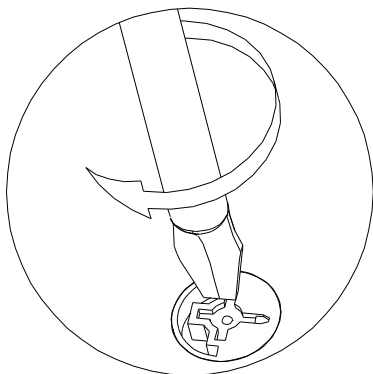
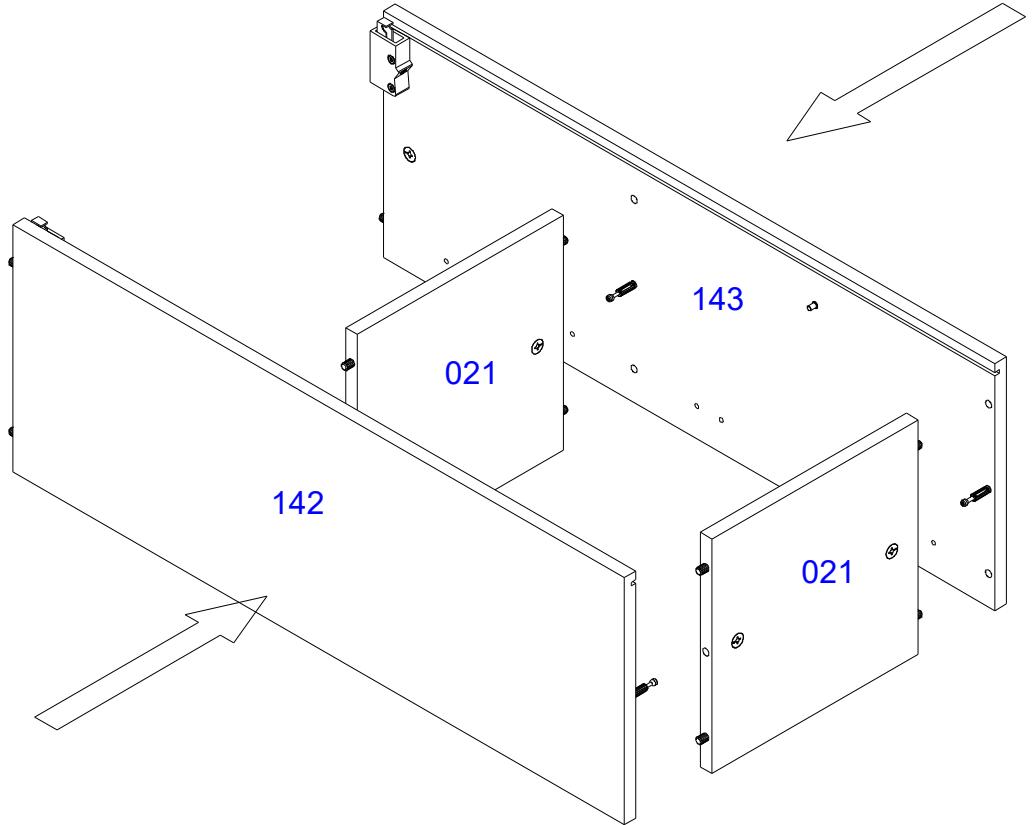
IV



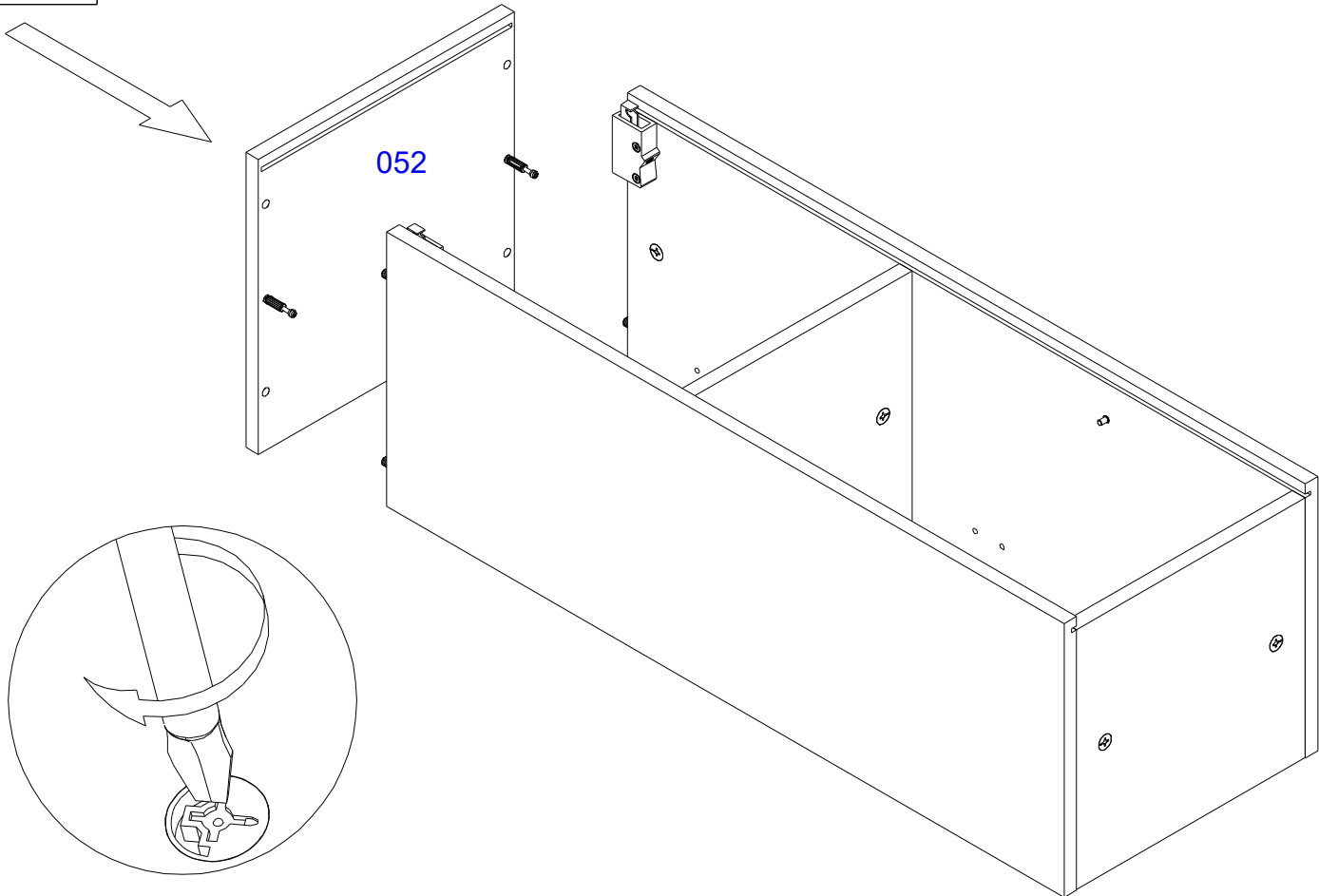
M4x20		
	E1	F3
	x4	x2



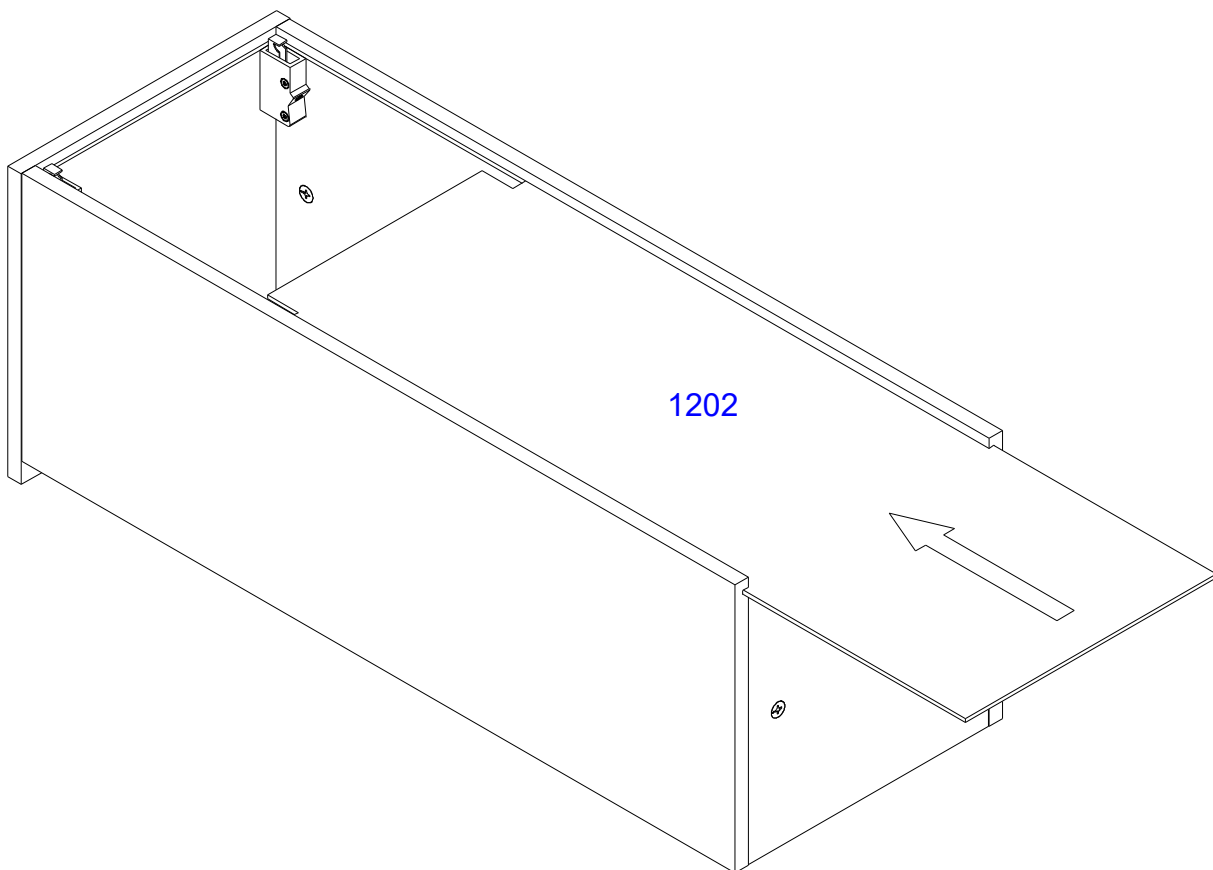
V



VI



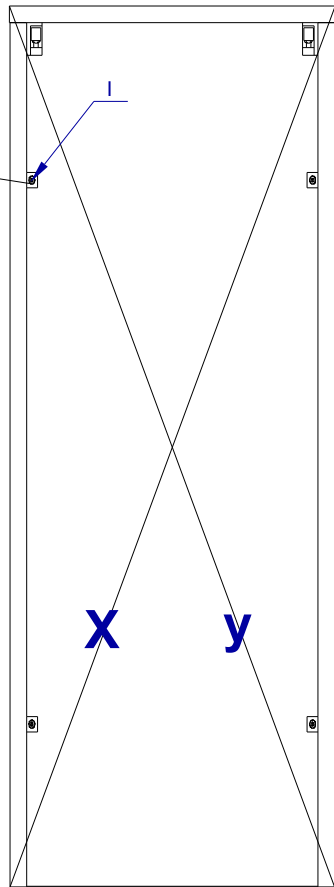
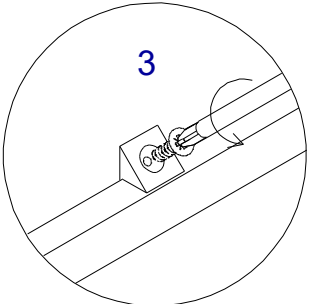
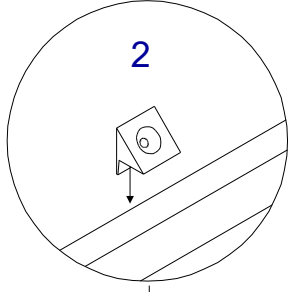
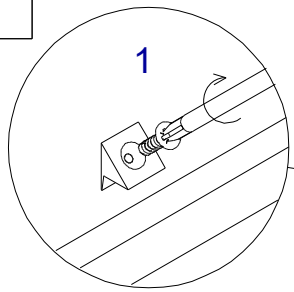
VII



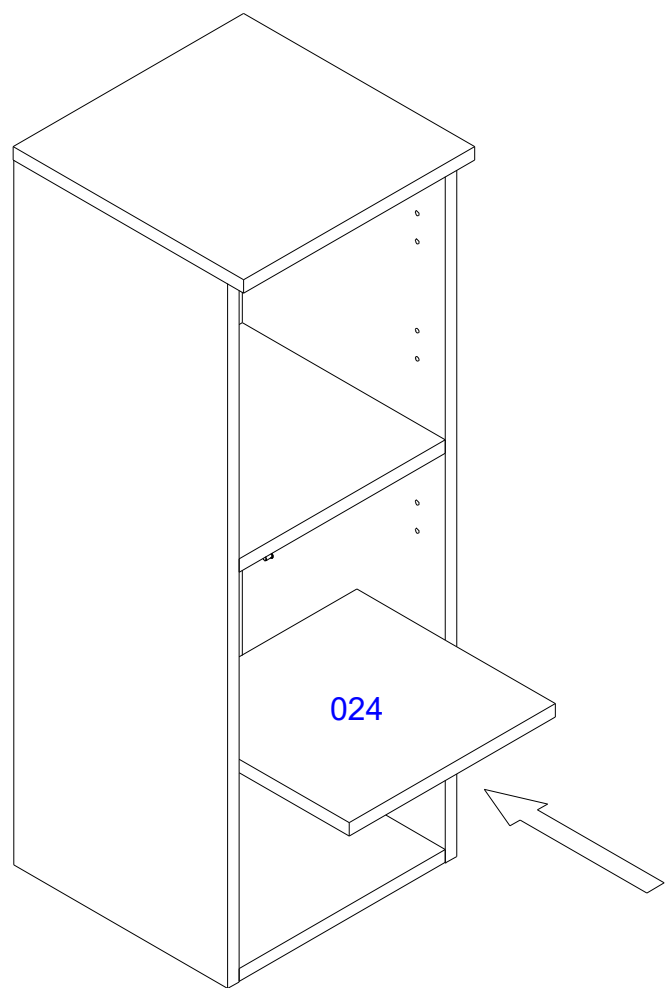
VIII



x4 |



IX



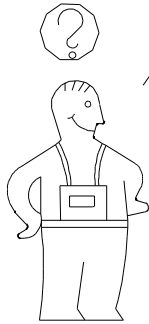
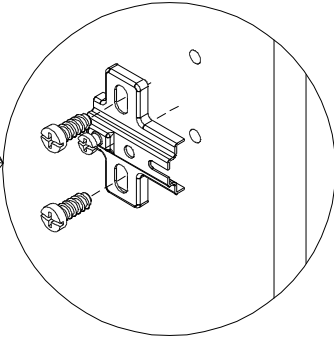
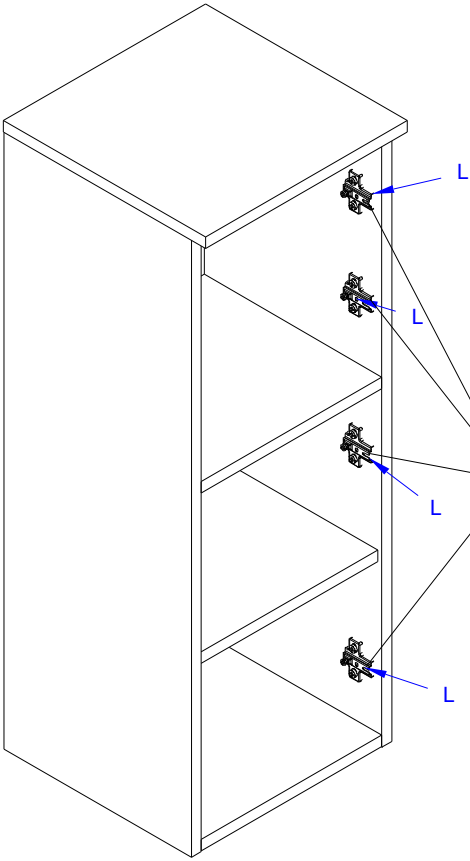
X

R

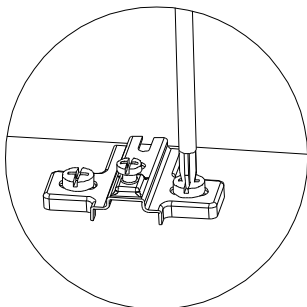
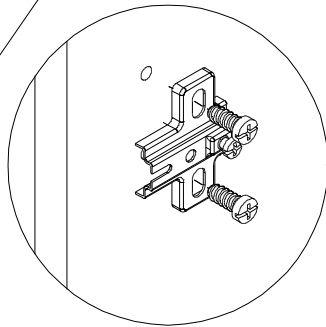
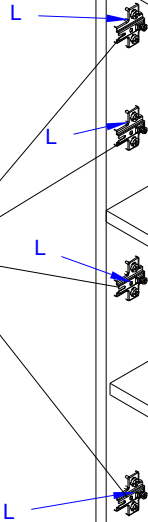


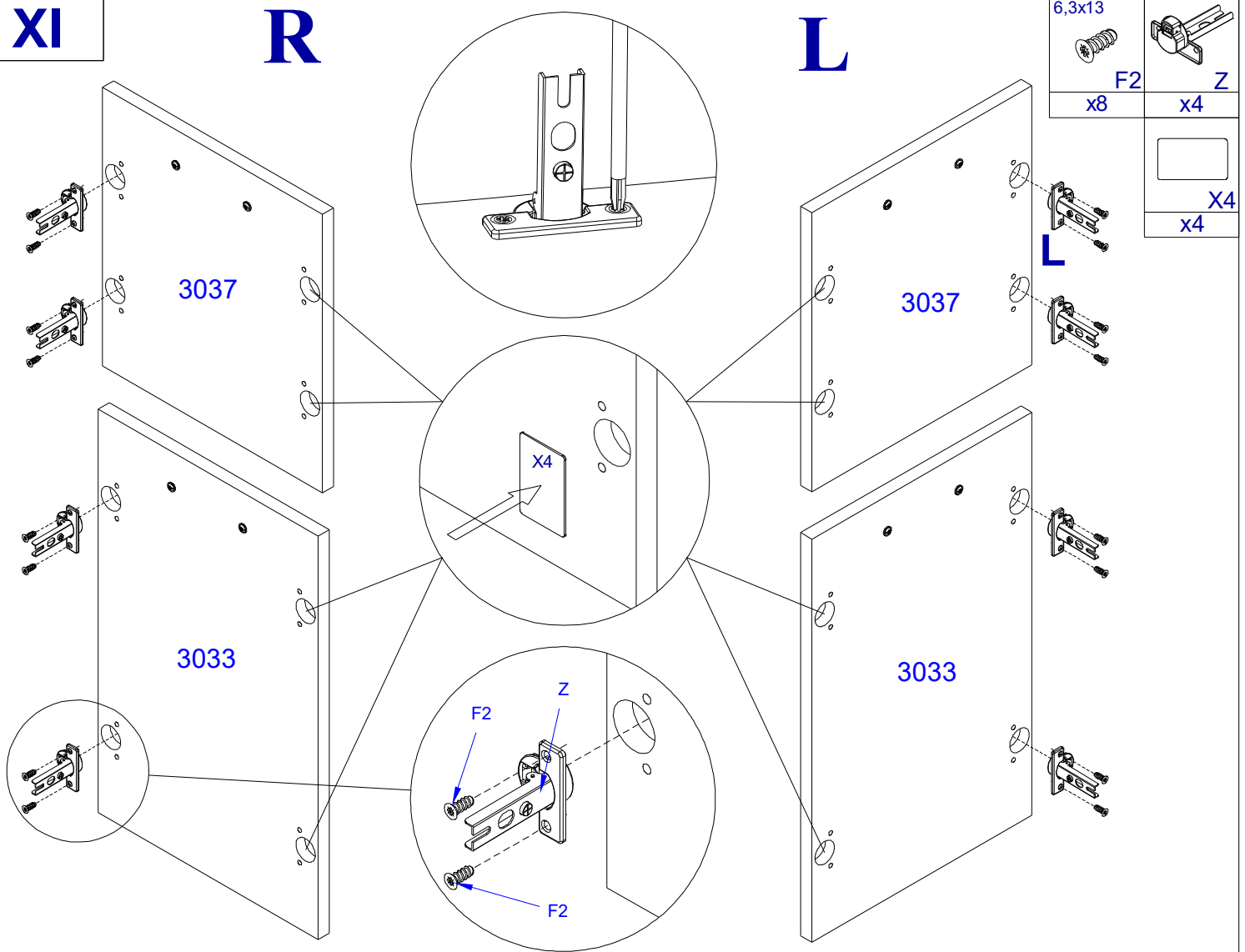
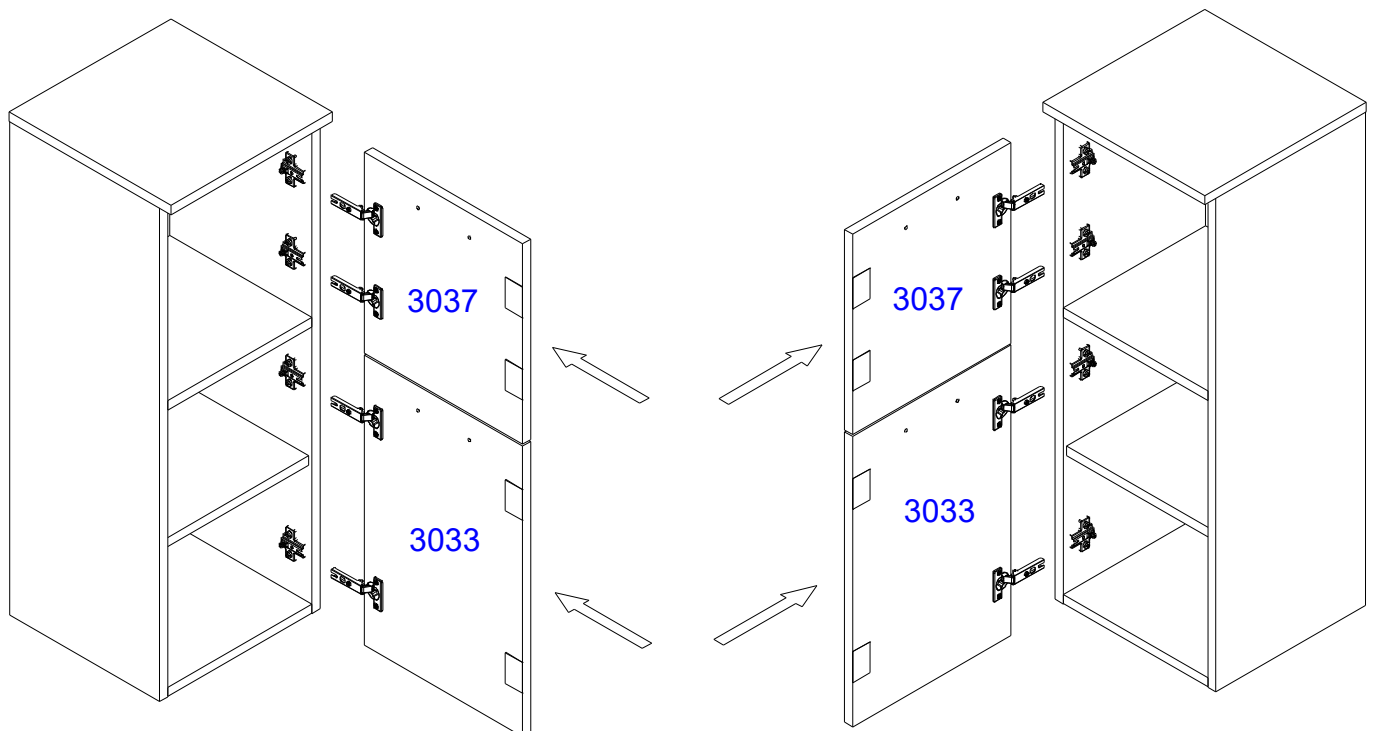
L

x4

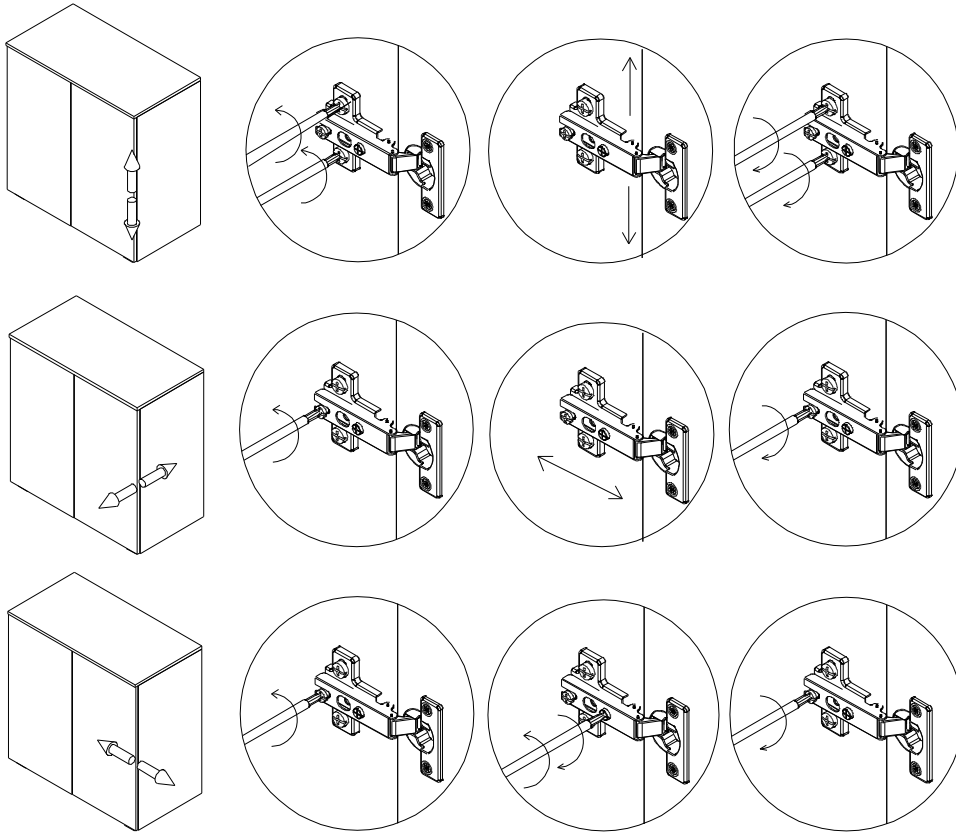


L

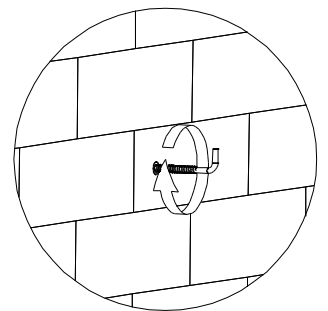
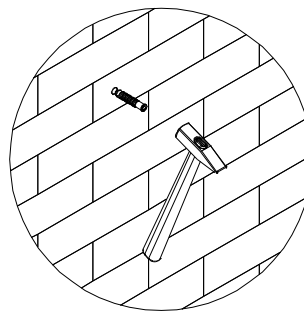
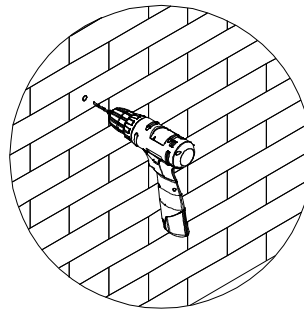
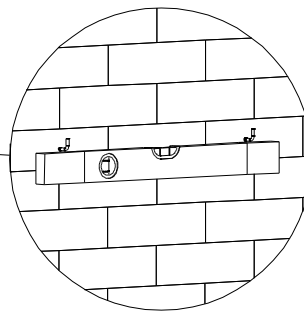
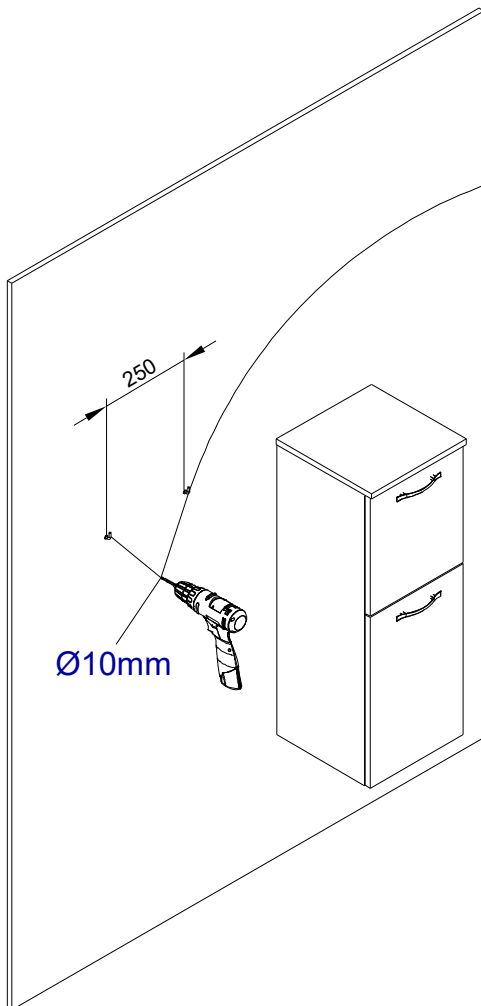


XI**R****L****XII****R****L**

XIII



XIV



$\text{Ø}10 \times 50$
KR
x2