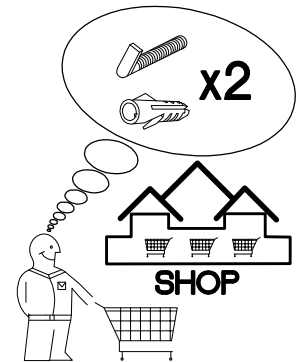
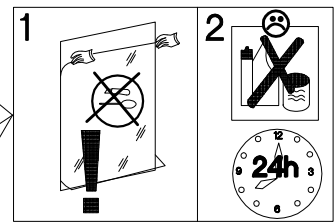
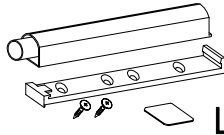
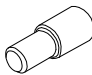


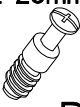

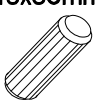
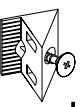

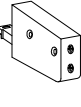
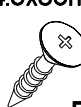
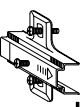
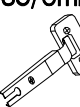




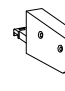
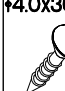



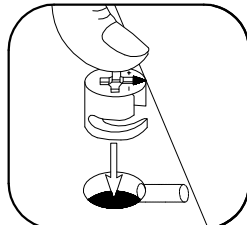
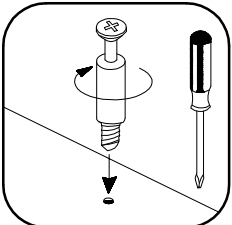
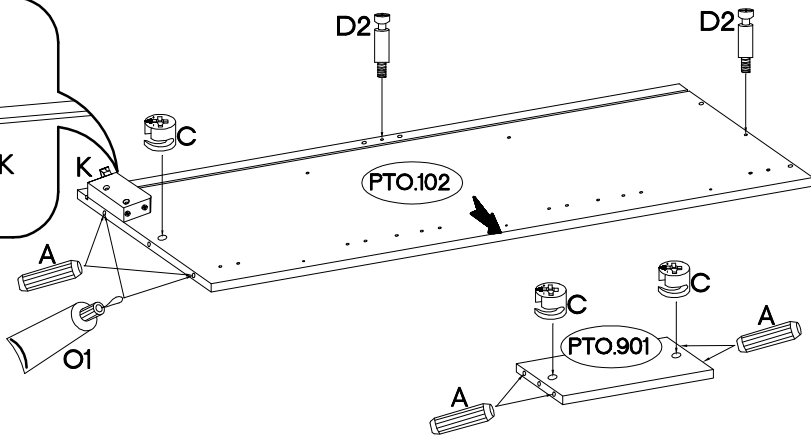
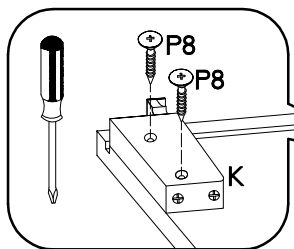
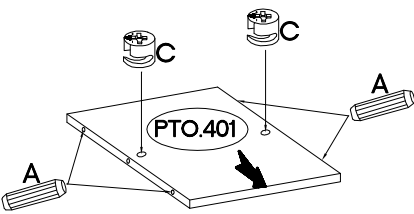
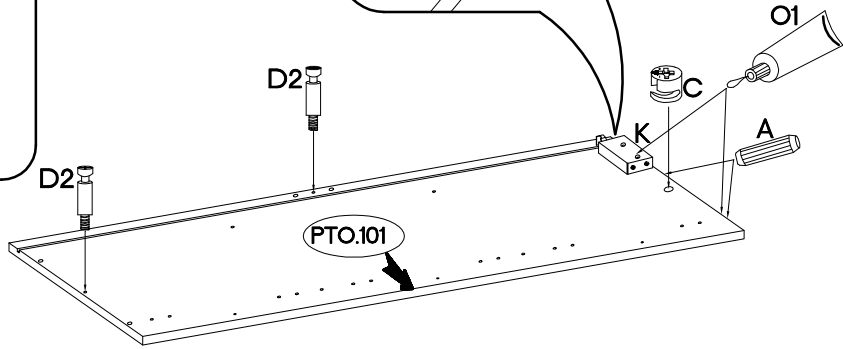
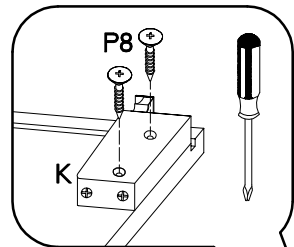
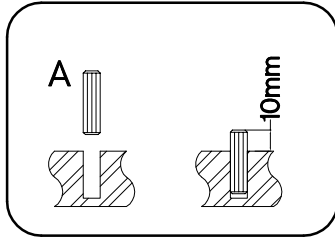
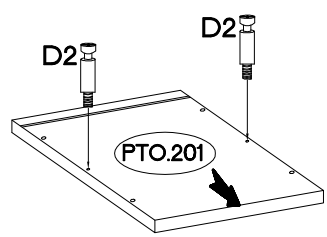
PTO.401, PTO.801 = max. 2kg



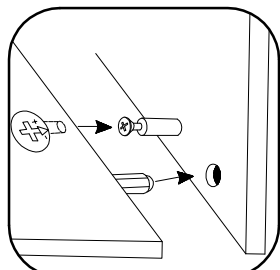
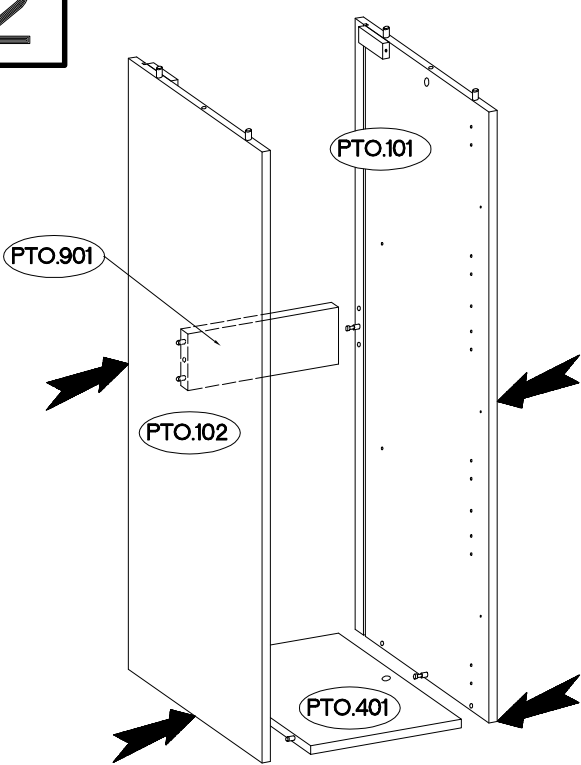
					 L23 3	 J12 8	 P7 3	 E 4	
 D2 6	 C 6	 A 12	 L 4	 O1 1	 K 2	 P8 4	 H 6	 G 6	 P5 12
L=20mm	±15/12mm	±8x30mm			±4.0x30mm		±3.0x20mm		±3.5x13mm

1

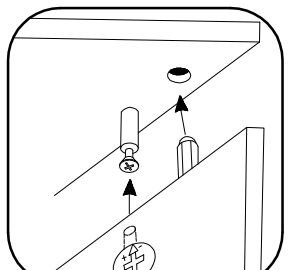
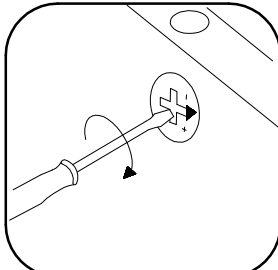
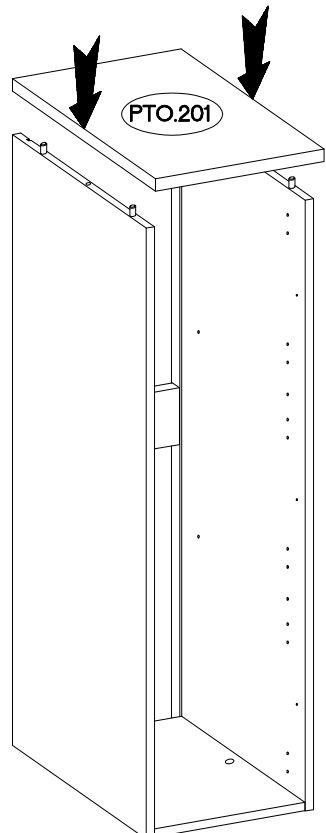
L=20mm	±5/12mm	±8x30mm		±4.0x30mm	
					
D2	C	A	K	P8	O1
6	6	12	2	4	1



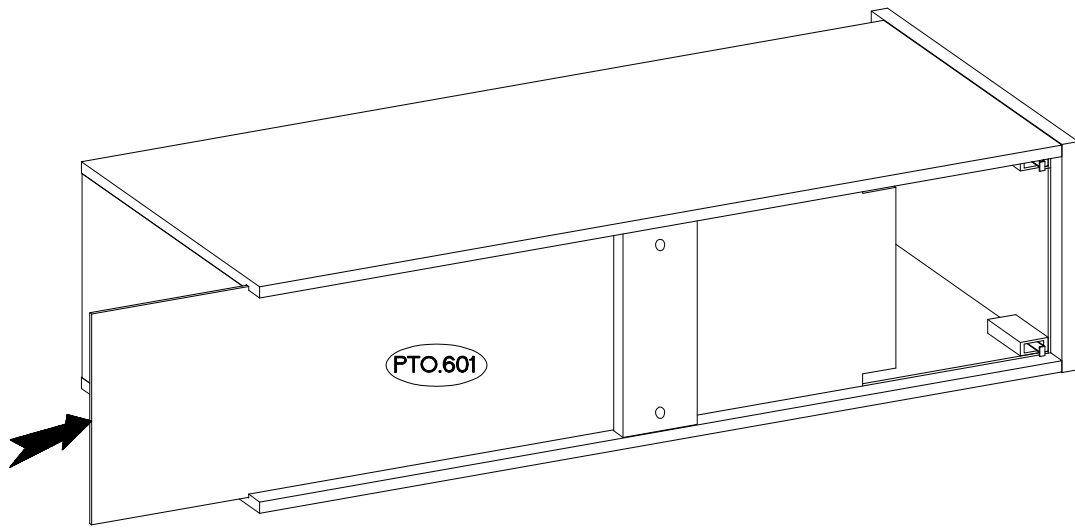
2



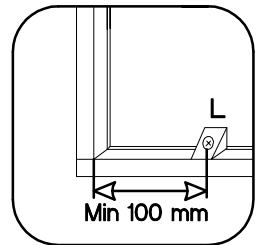
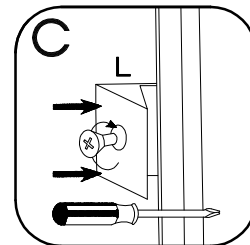
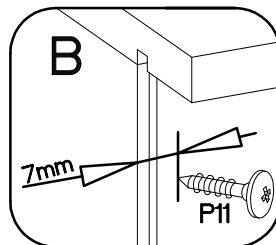
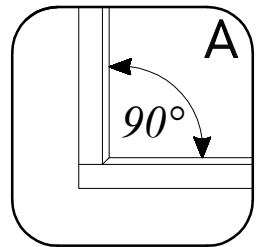
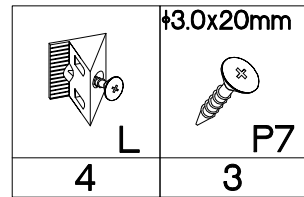
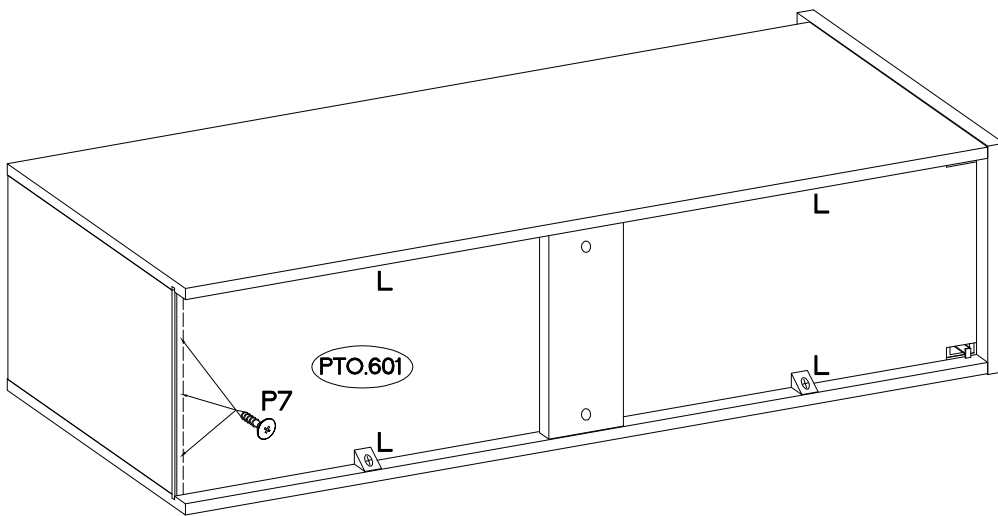
3



4



5



6

