
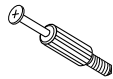
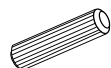

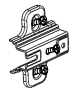


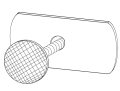





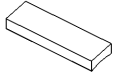
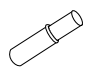





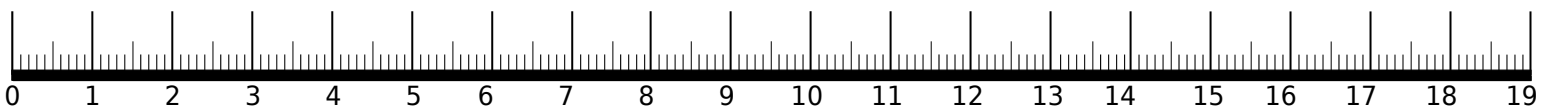
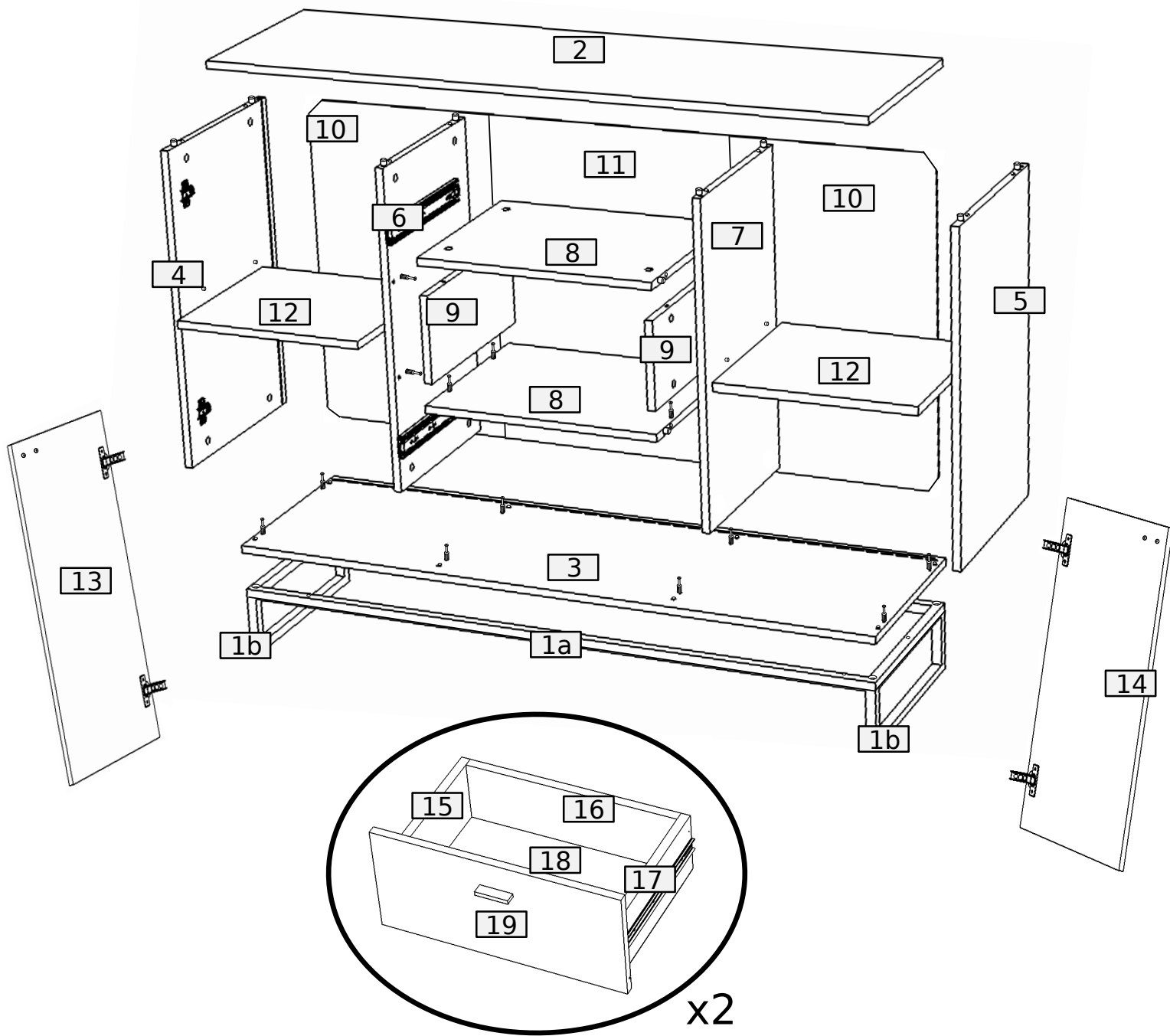


40	40	40	24	4	8	14	8
							
B	A	8.0x35	D 3.5x16 W2	PZ	G	I	G1
							
X	L-350	PK 3.0x20 W1	3.5x25 W10	Z	UO	S3	T2
20	2	8	8	4	4	8	1

6	1
	
G4	U1
	
4.0x35 W11	US
6	4

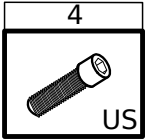
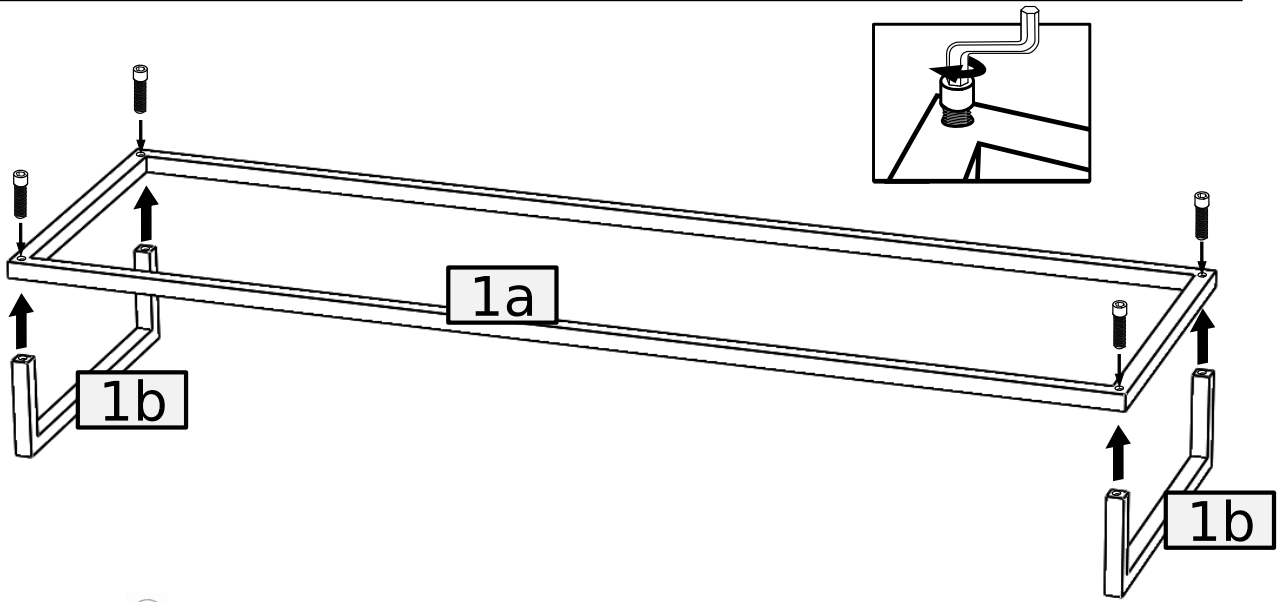




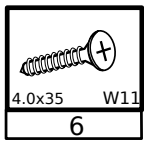
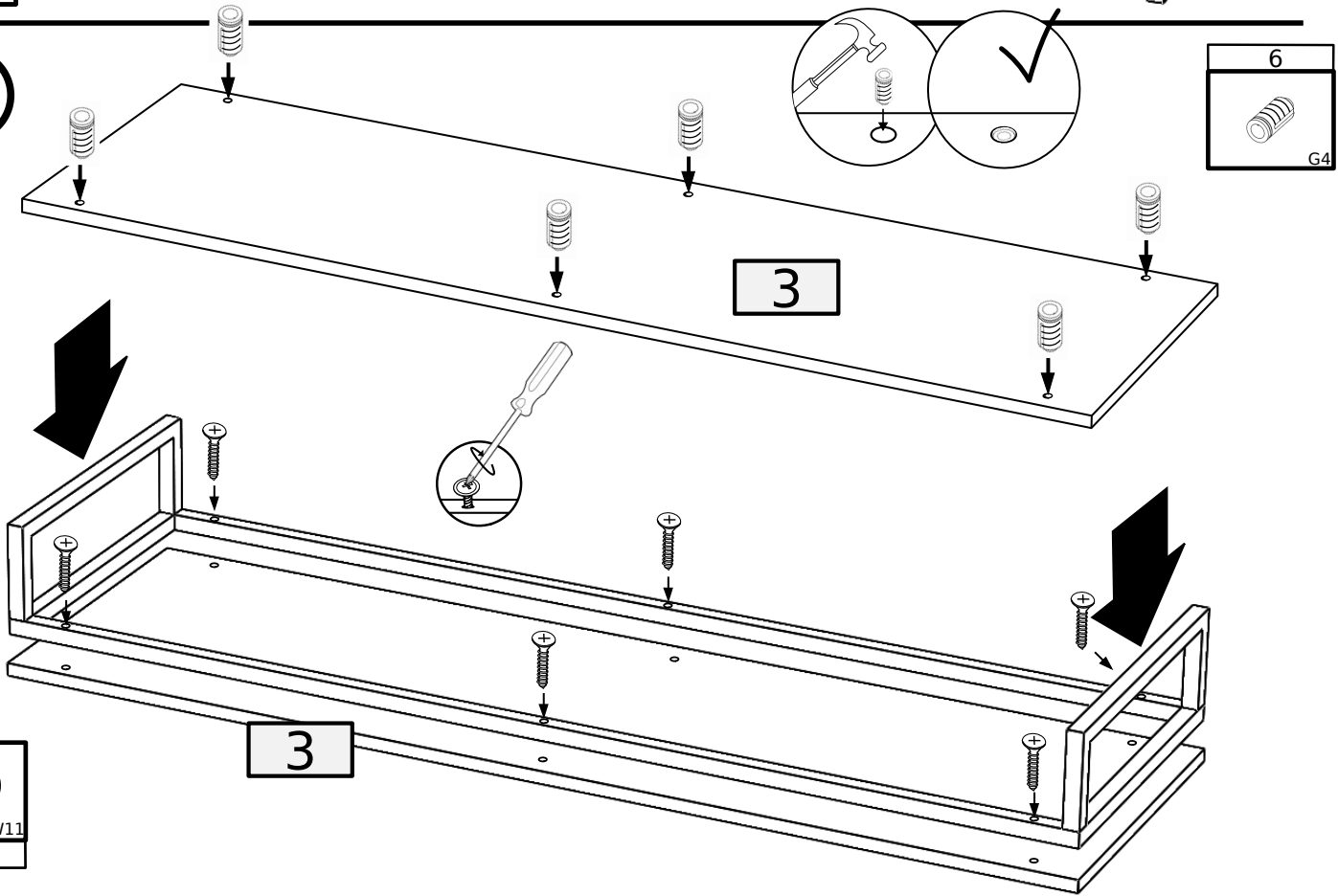
No.	Pcs.	L	W	D	Pac
1a	1	1345	395	20	1/2
1b	2	395	120	20	1/2
2	1	1350	400	16	1/2
3	1	1350	400	16	1/2
4	1	398	664	16	1/2
5	1	398	664	16	1/2
6	1	360	664	16	2/2
7	1	360	664	16	2/2
8	2	486	379	16	1/2
9	2	180	378	16	1/2

No.	Pcs.	L	W	D	Pac
10	2	678	414	3	2/2
11	1	678	501	3	2/2
12	1	350	398	16	2/2
13	1	409	658	16	2/2
14	1	409	658	16	2/2
15	2	350	160	16	2/2
16	2	428	142	16	2/2
17	2	350	160	16	2/2
18	2	443	357	3	2/2
19	2	490	220	16	2/2

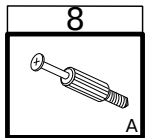
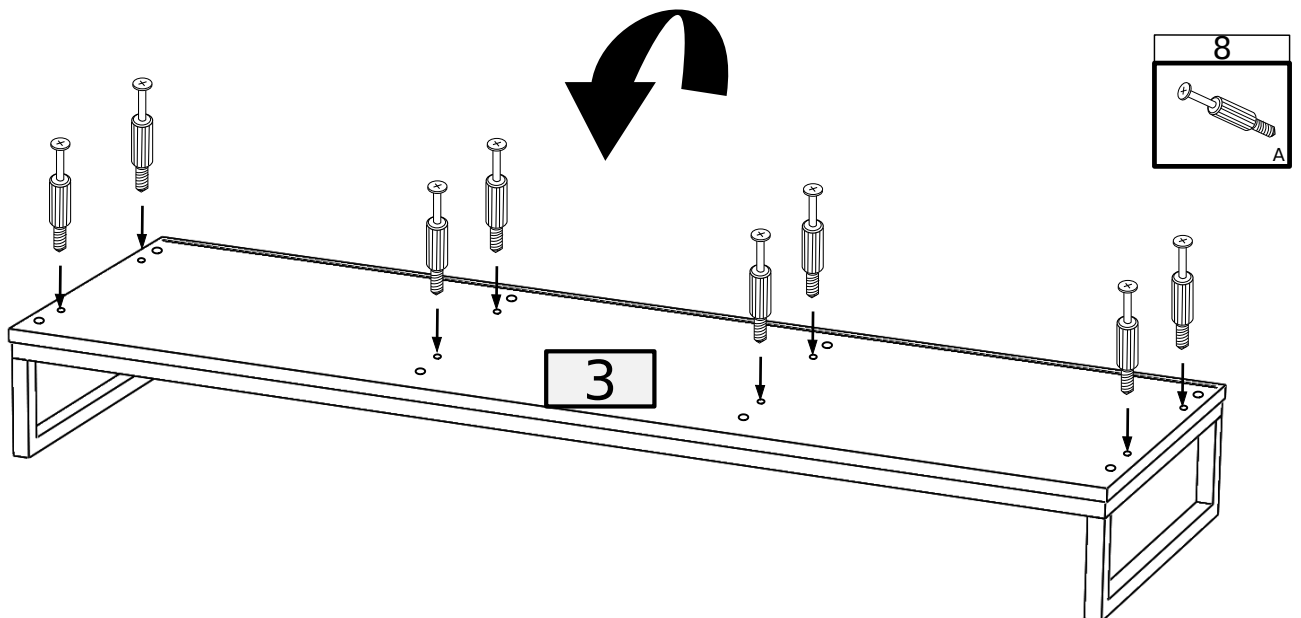
1



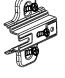



2

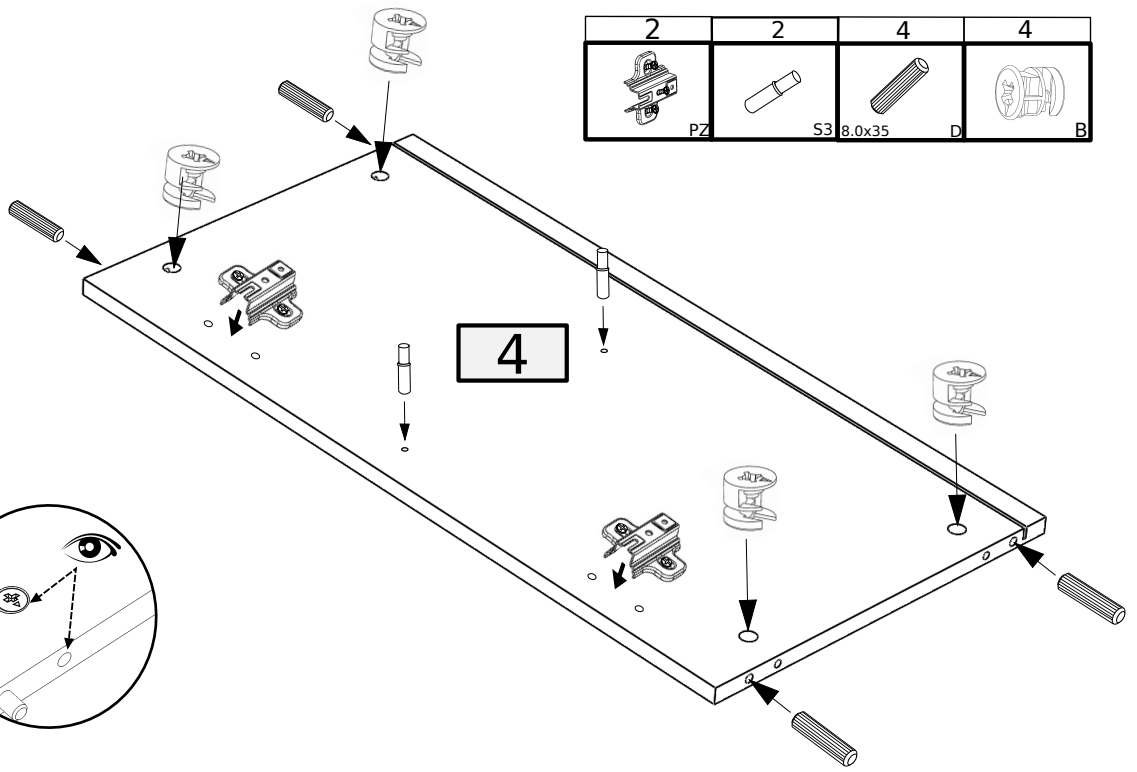
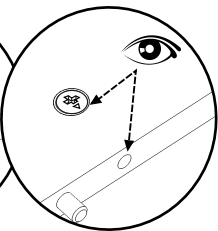
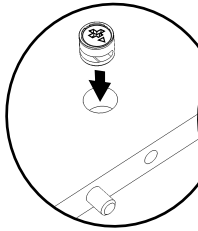
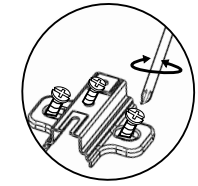


3

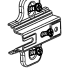





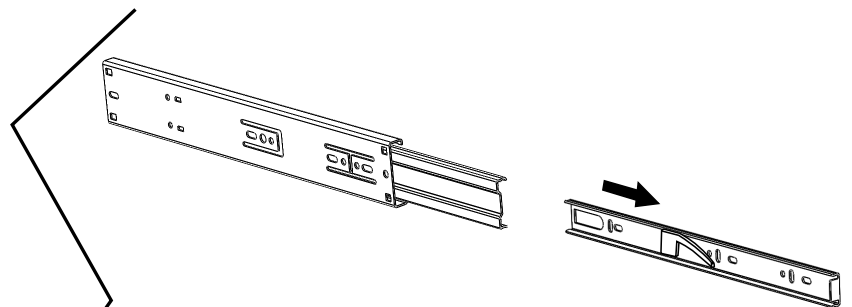
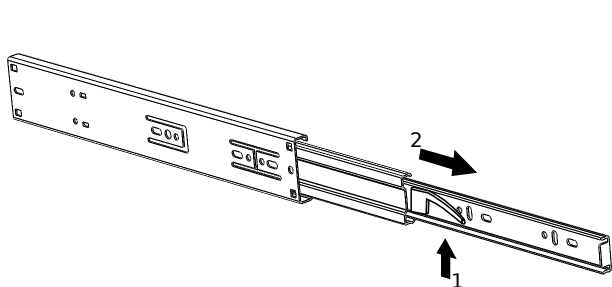
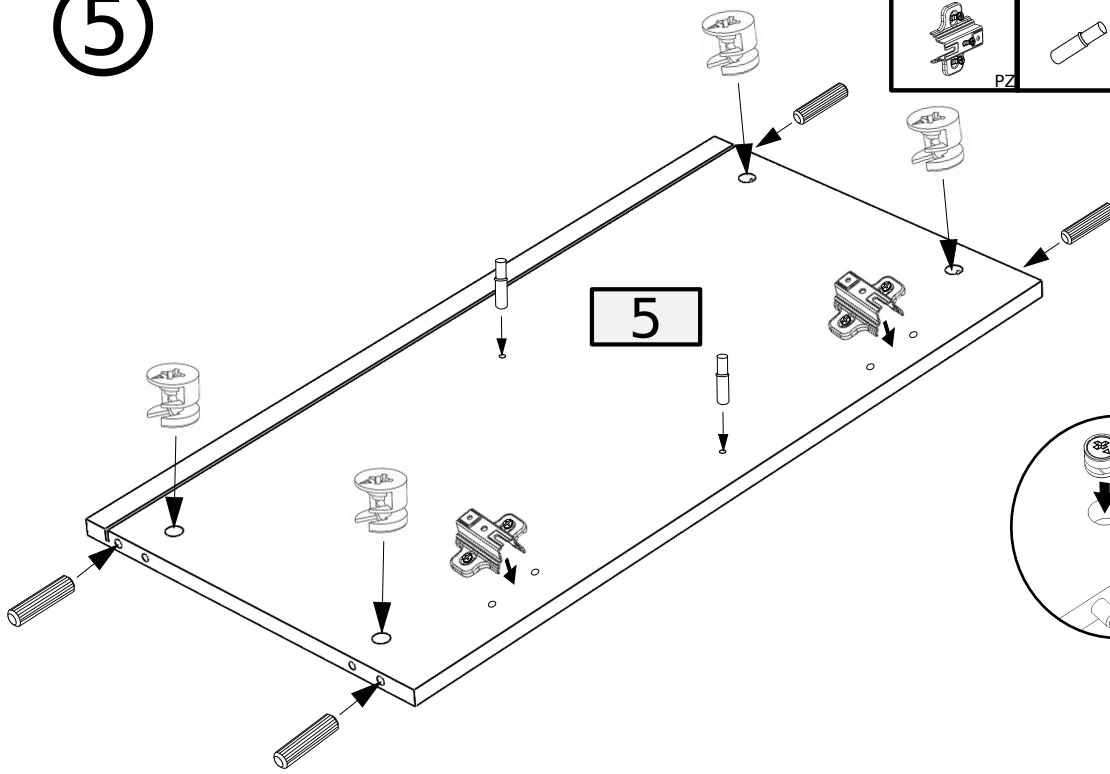
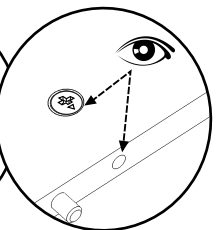
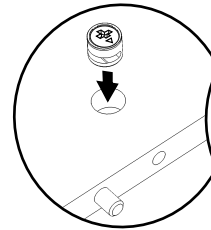
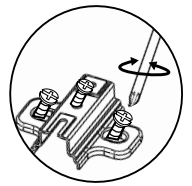
4

2	2	4	4
			
PZ	S3	8.0x35	D



5

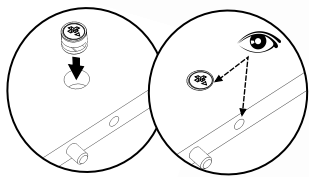
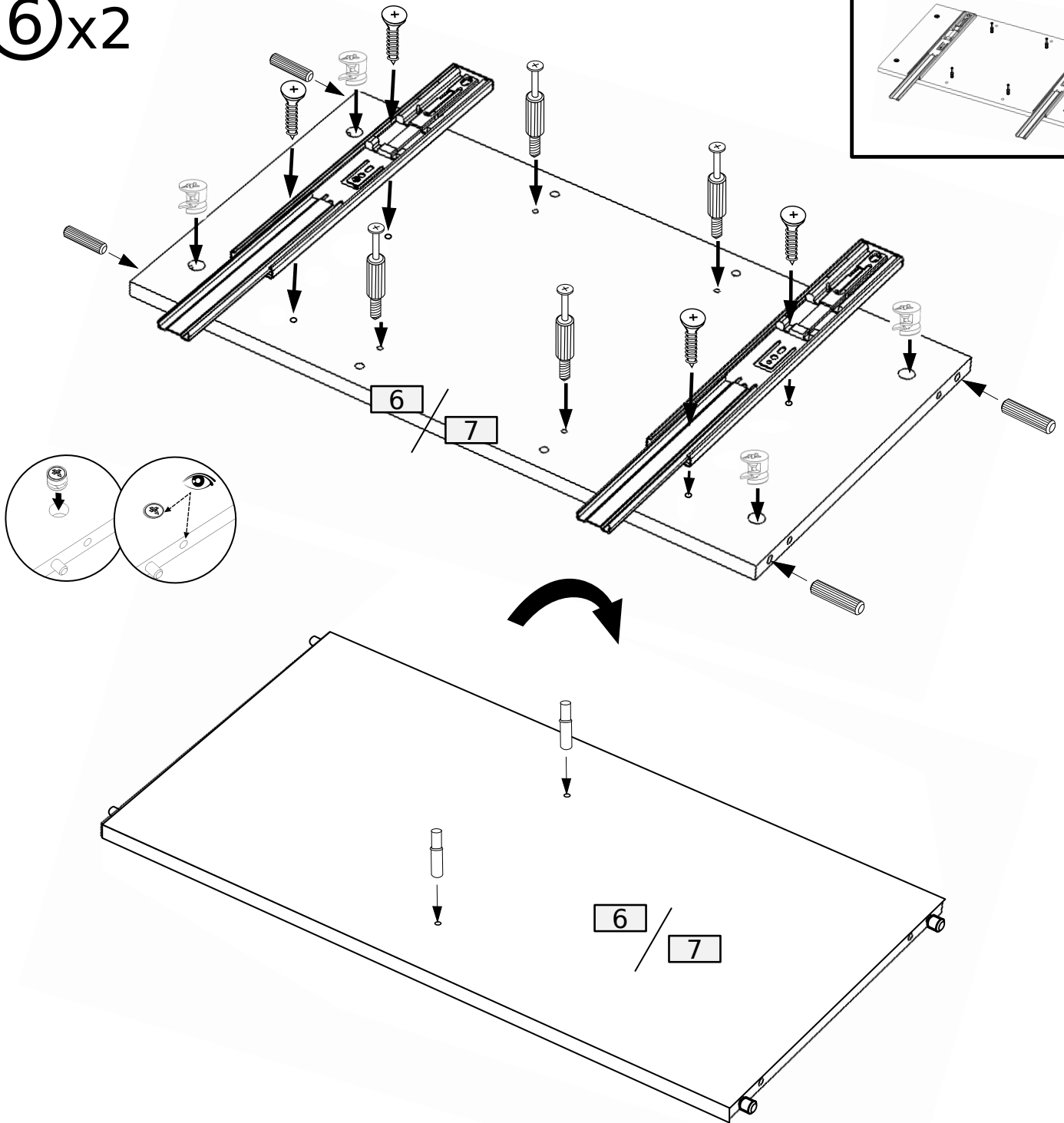
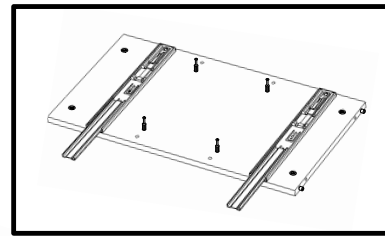
2	2	4	4
			
PZ	S3	8.0x35	D



x2

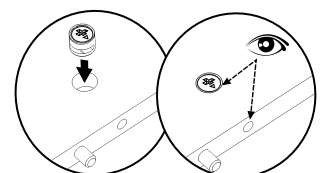
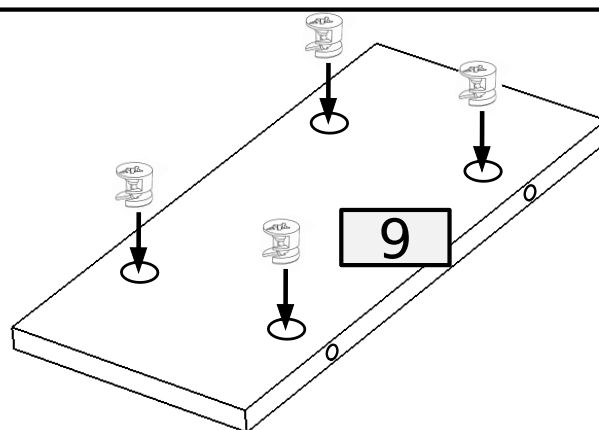
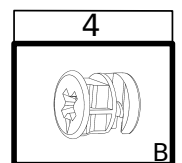
PK

⑥x2

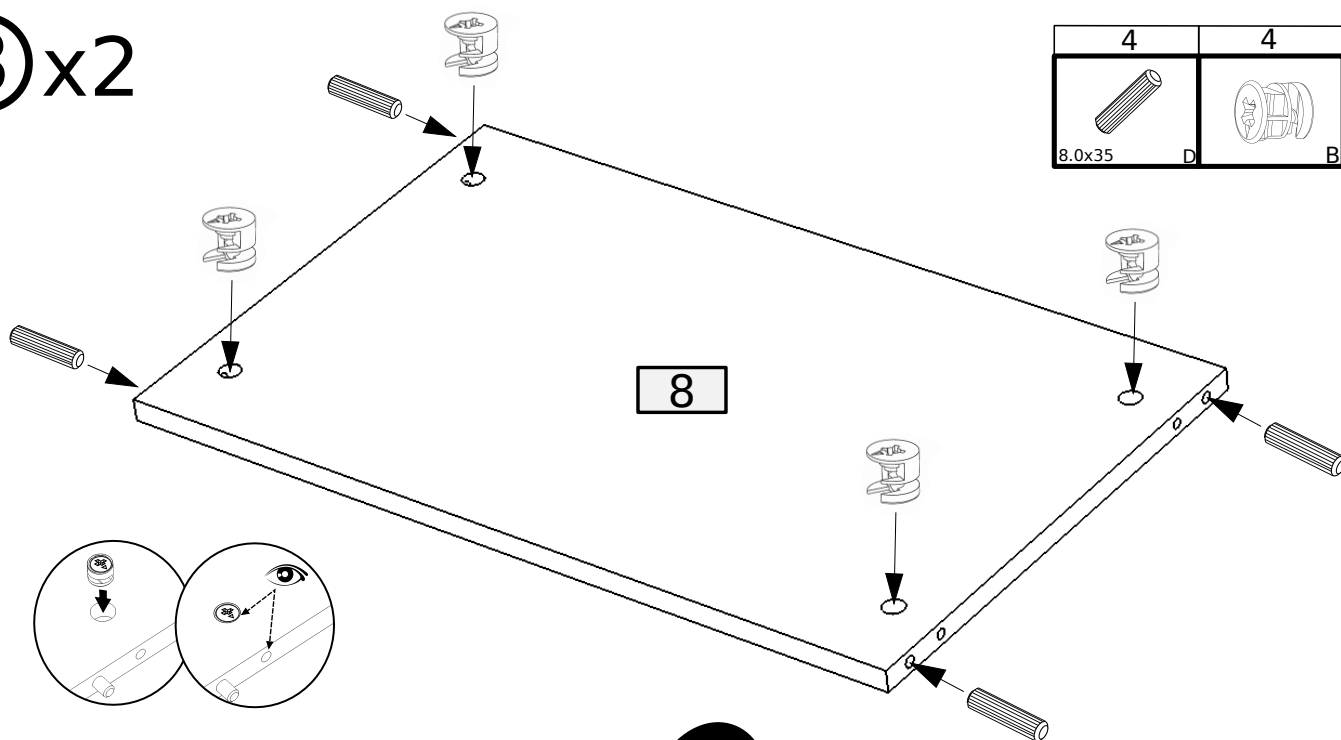


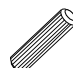

4	2	4	4	4	2
3.5x16	W2	L-350	PK	8.0x35	D
					B
					A
					S3

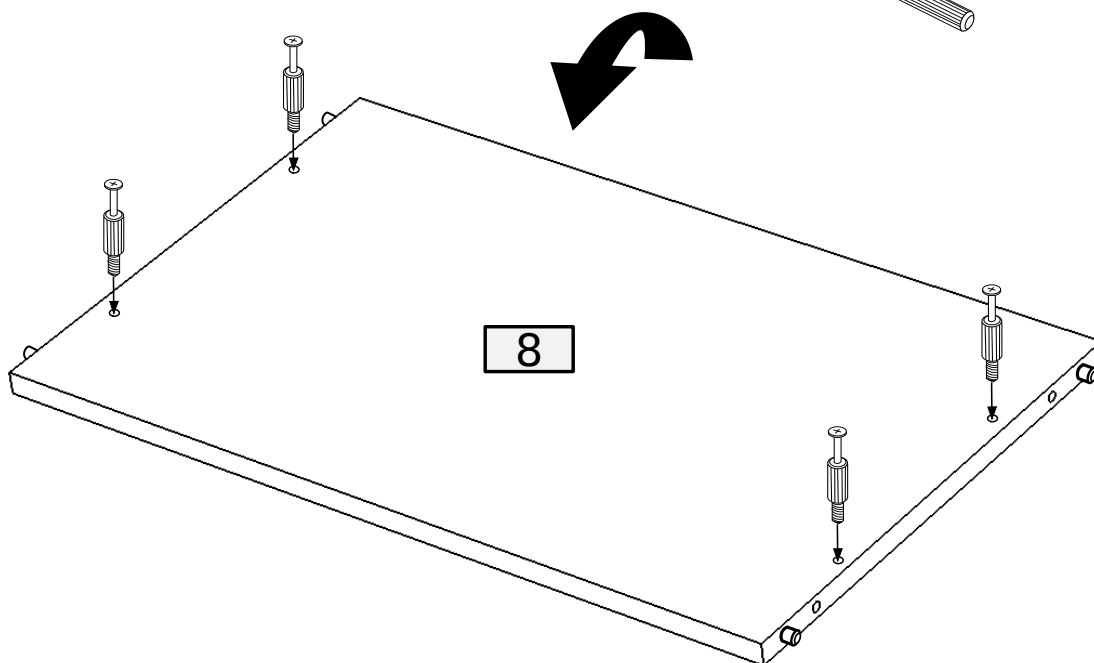
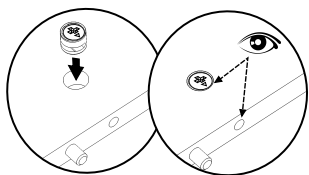
⑦x2

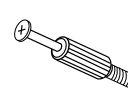


⑧x2

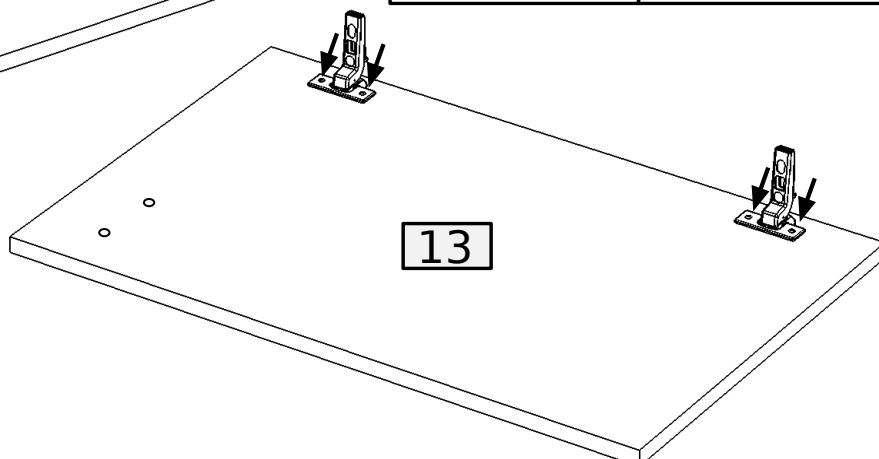
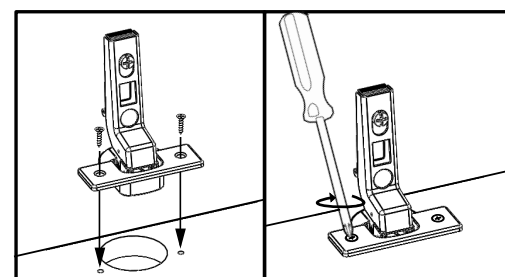
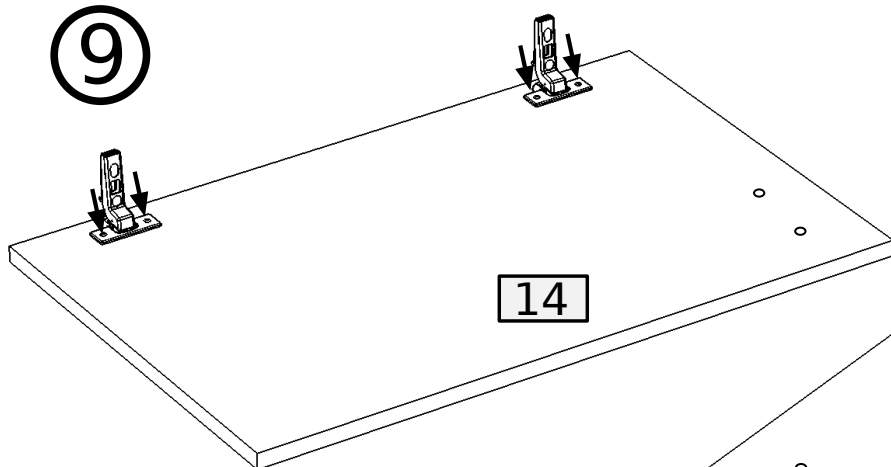




4	4
	
8.0x35	D B



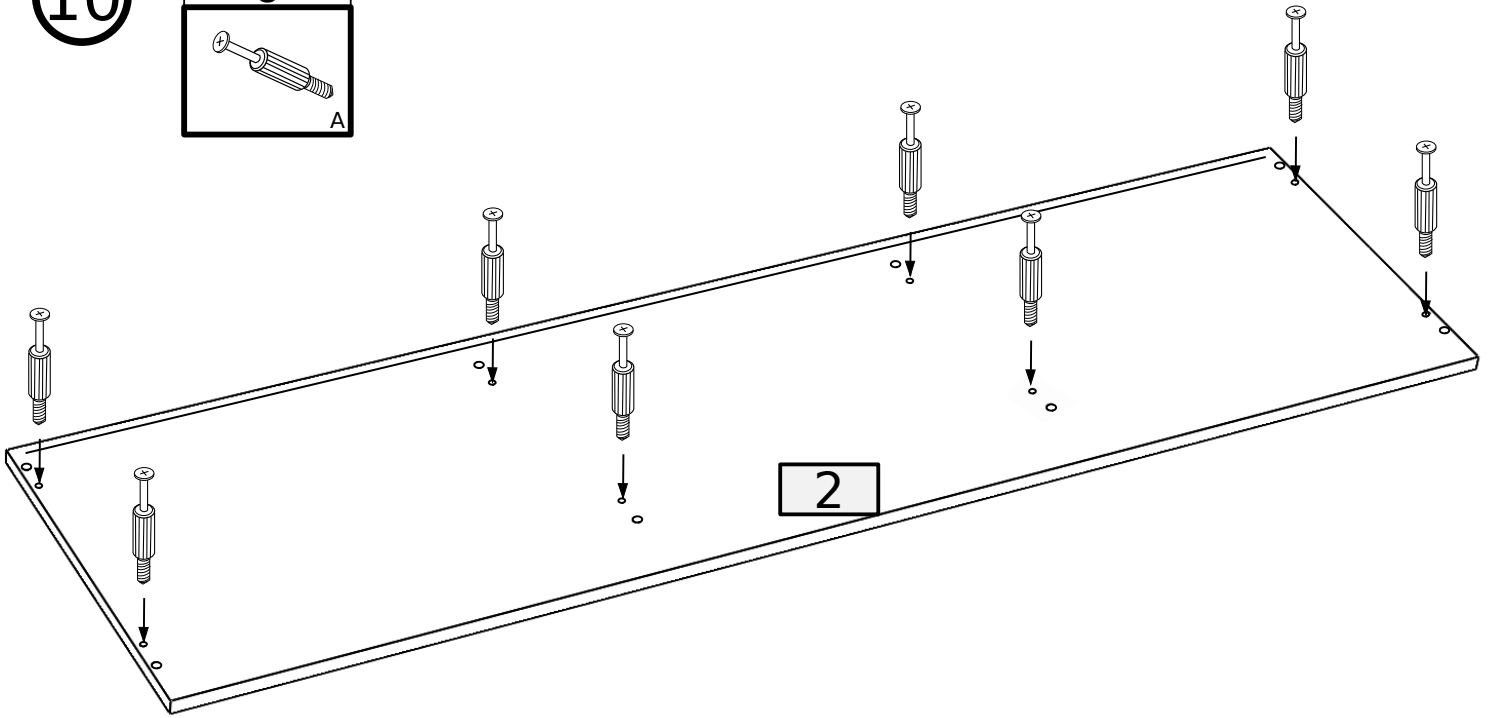
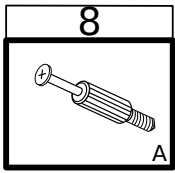
4

A

⑨

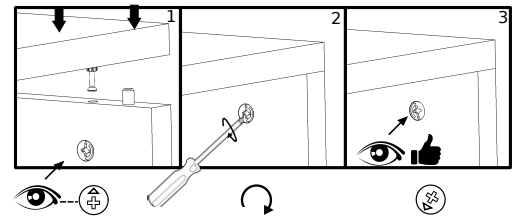
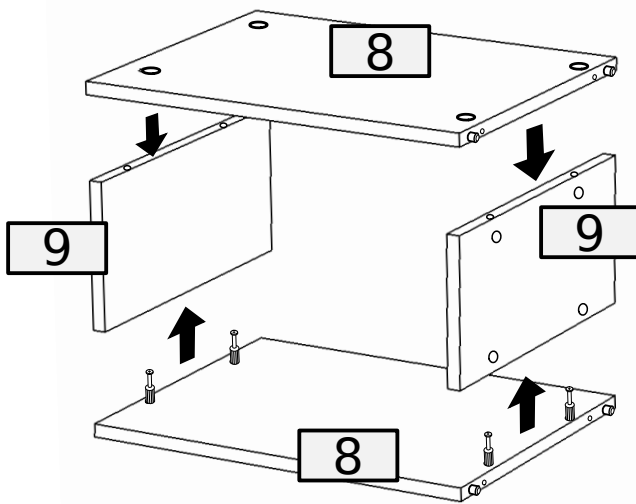


	
3.5x16 W2	Z
8	4

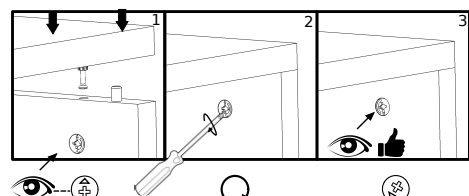
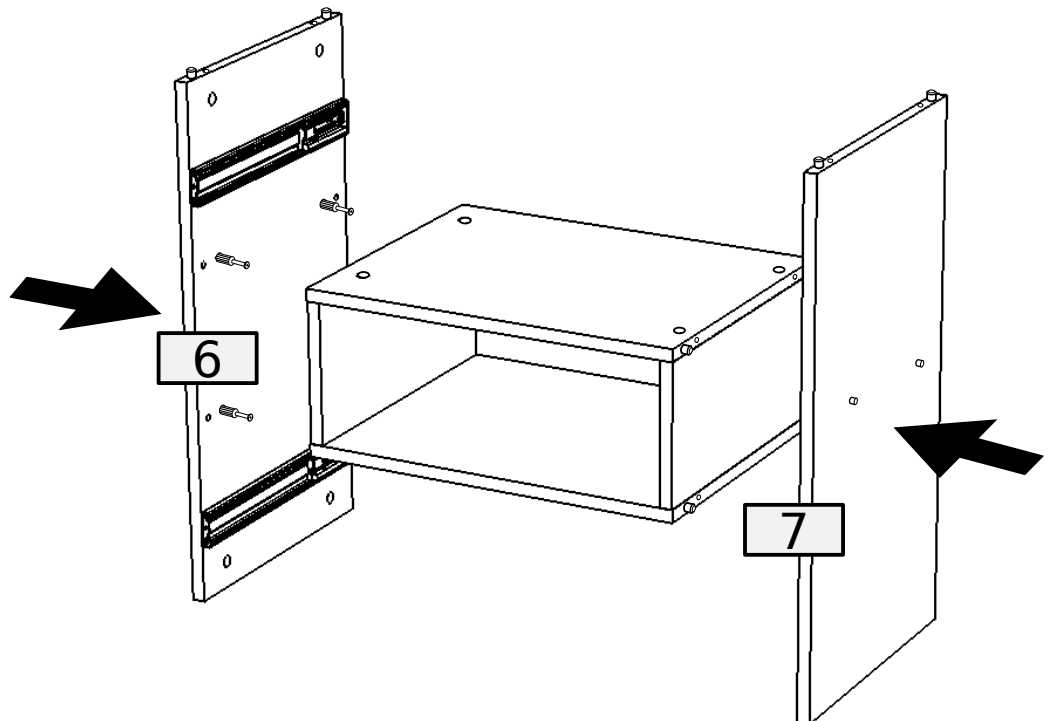
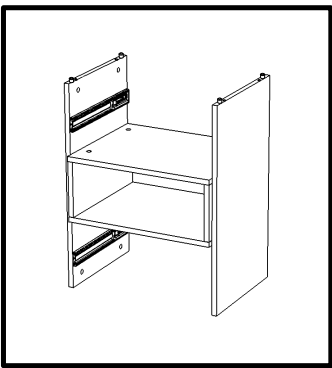
10



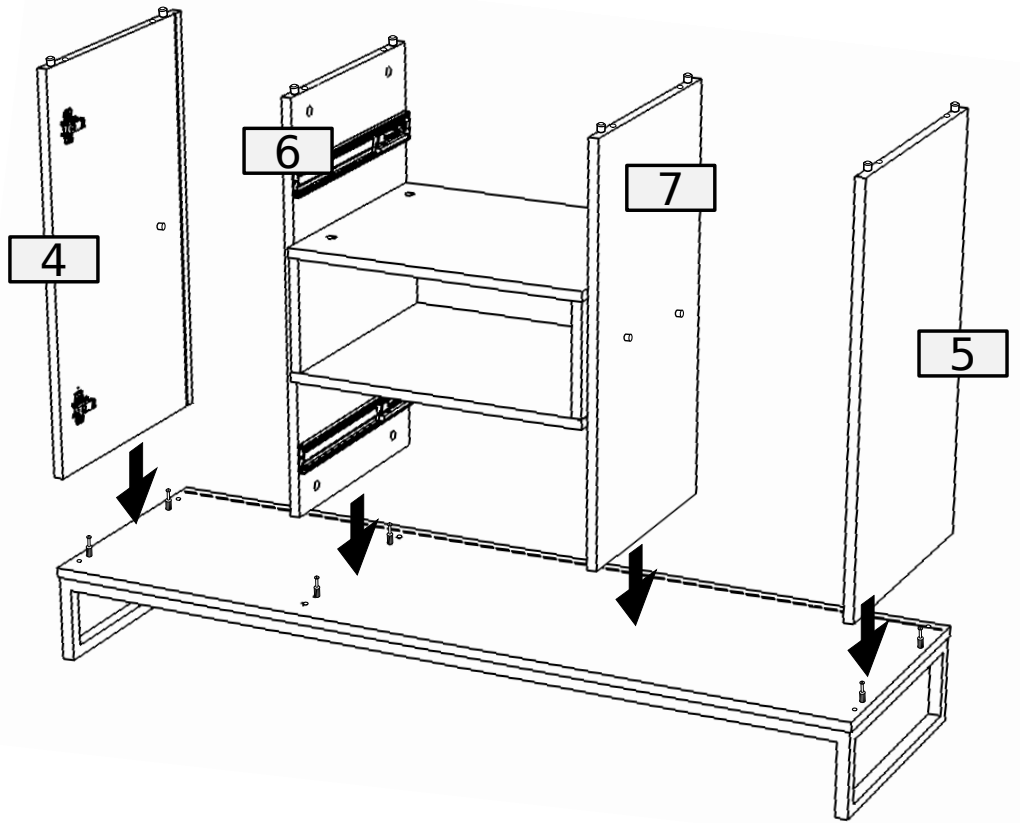
11



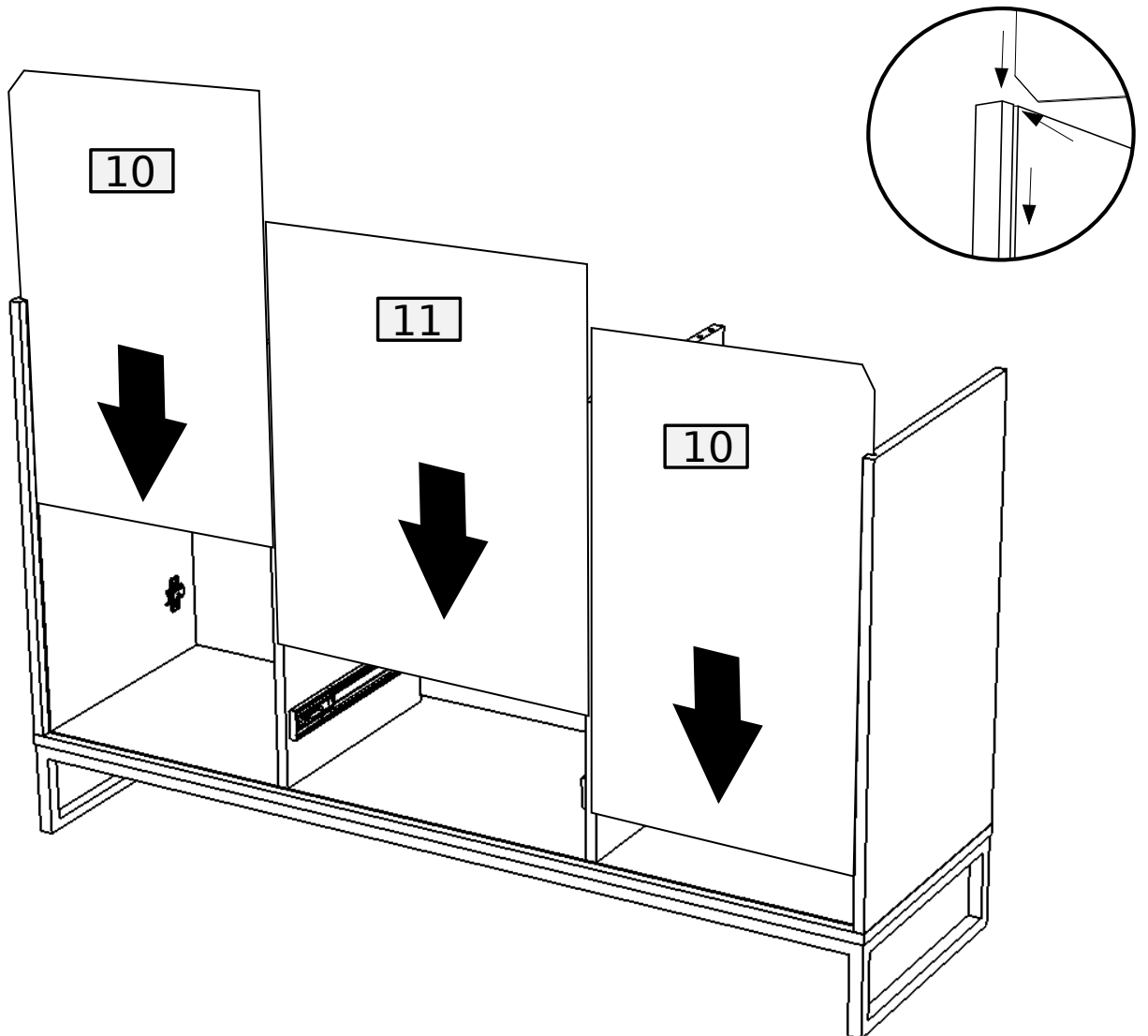
12



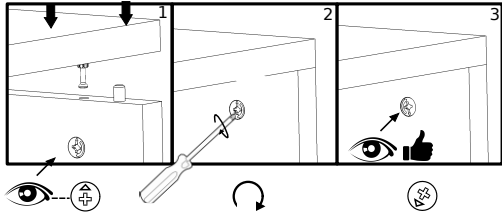
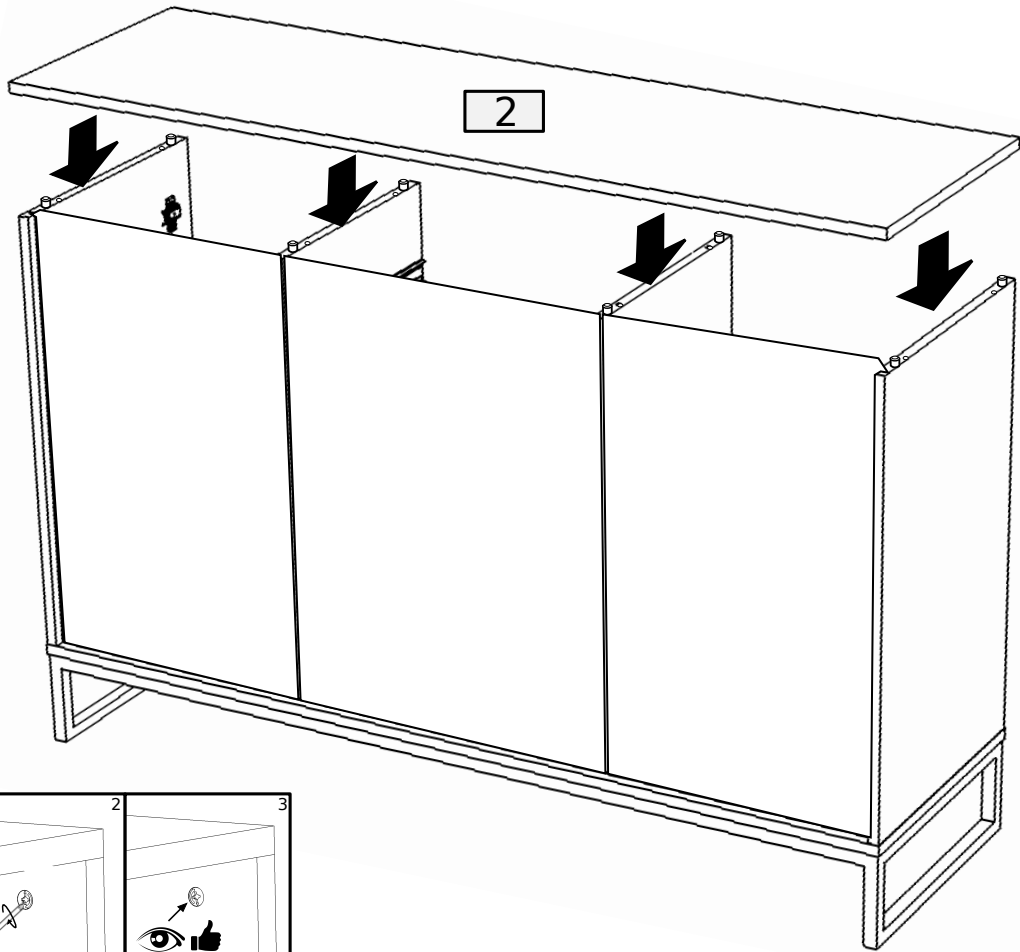
13



14

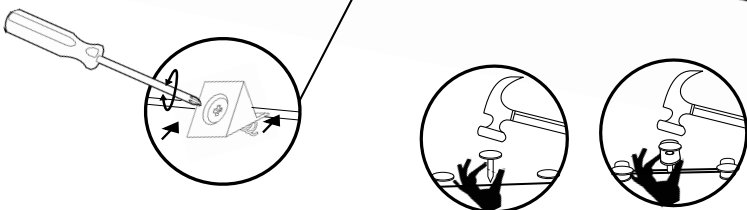
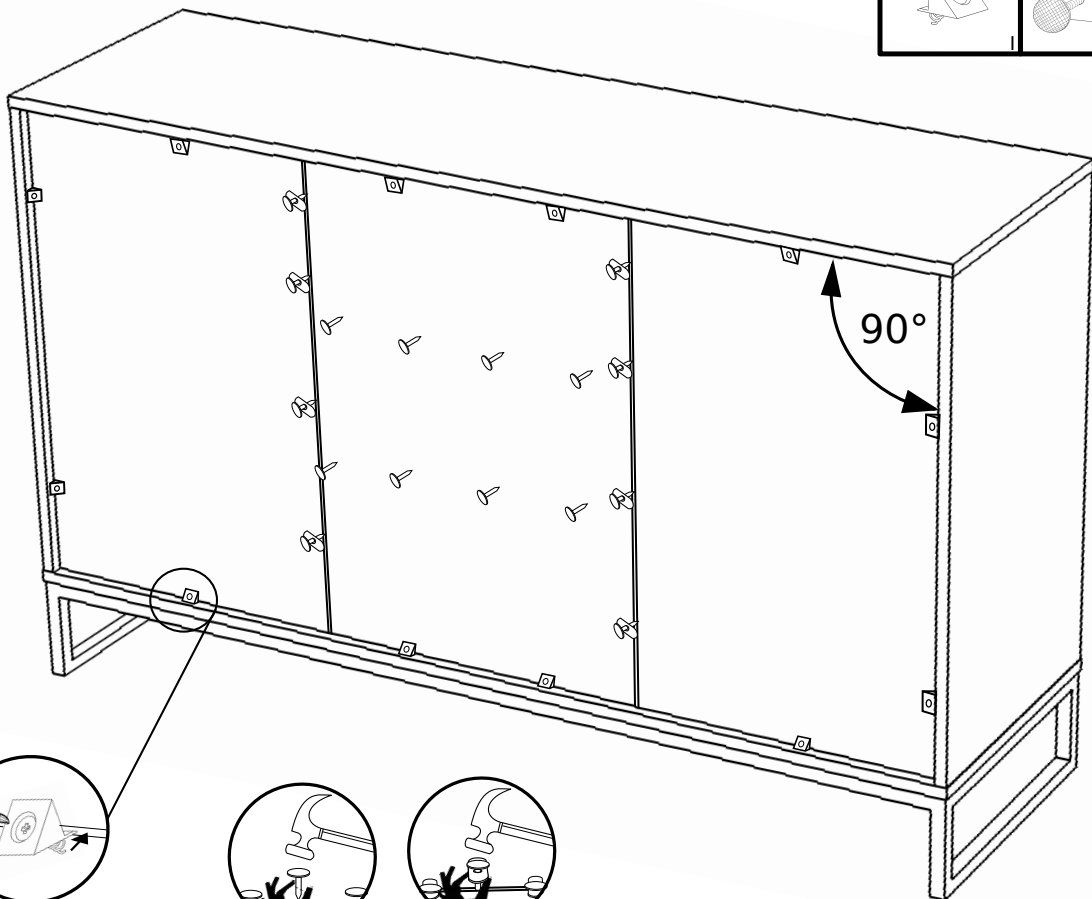


15

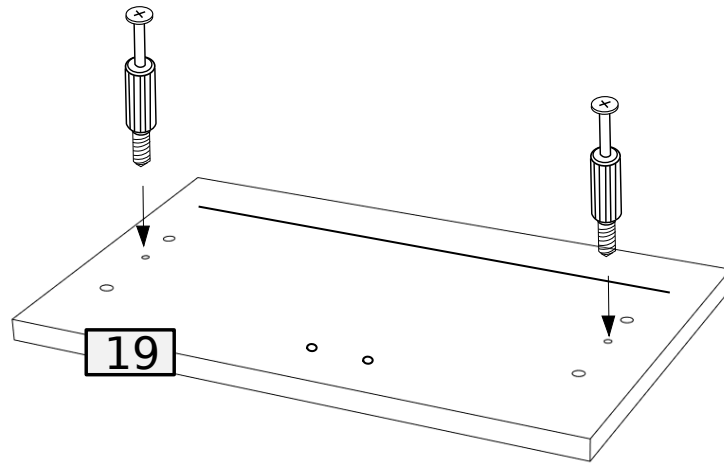
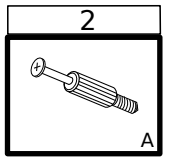


16

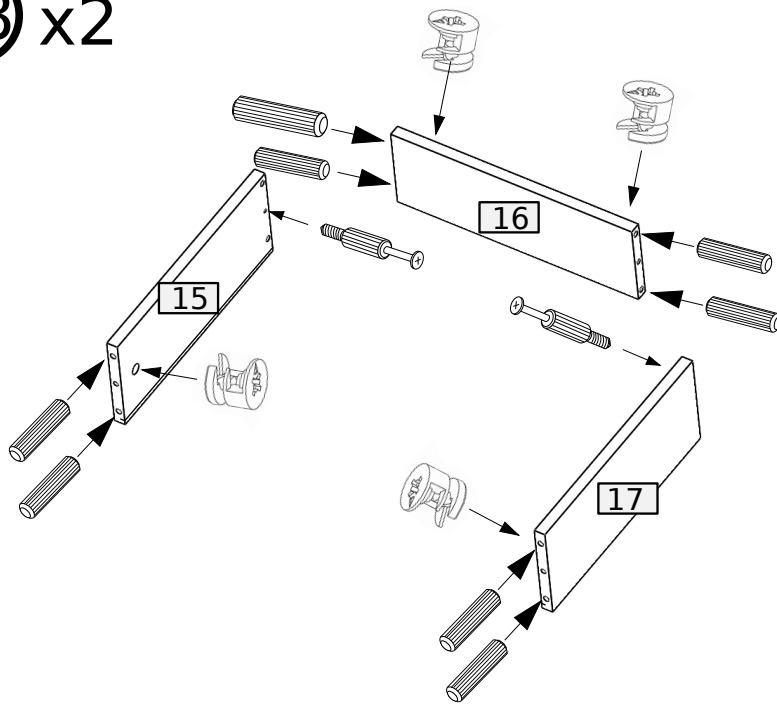
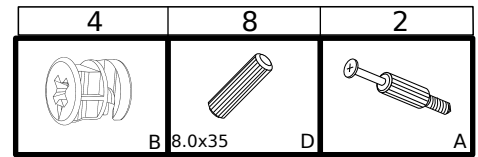
12	8	8
	G2	G



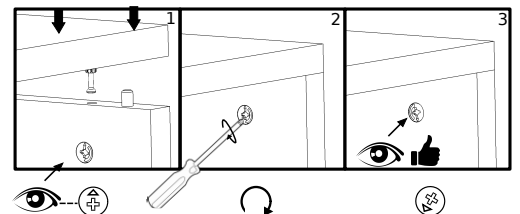
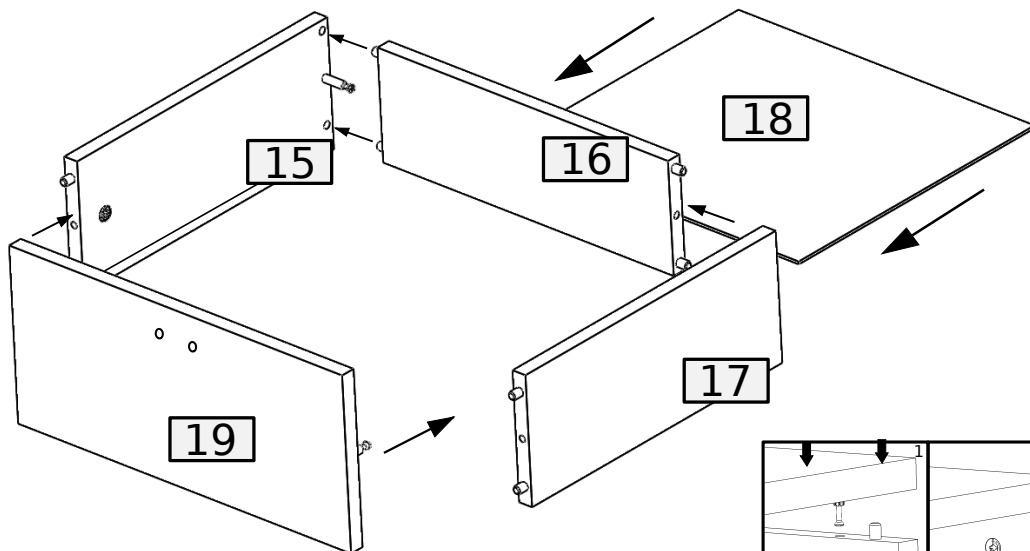
17 x2



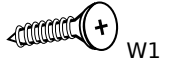
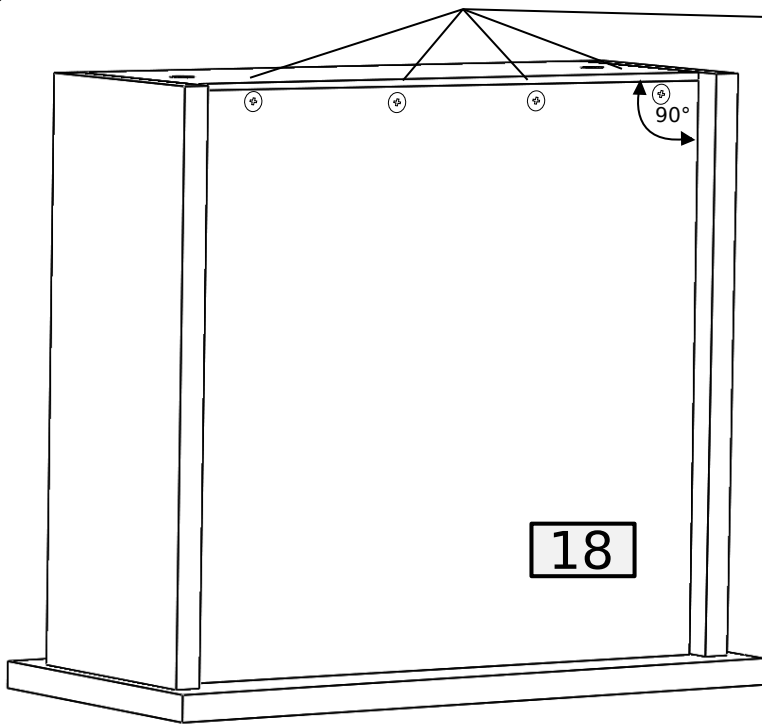
18 x2




19 x2

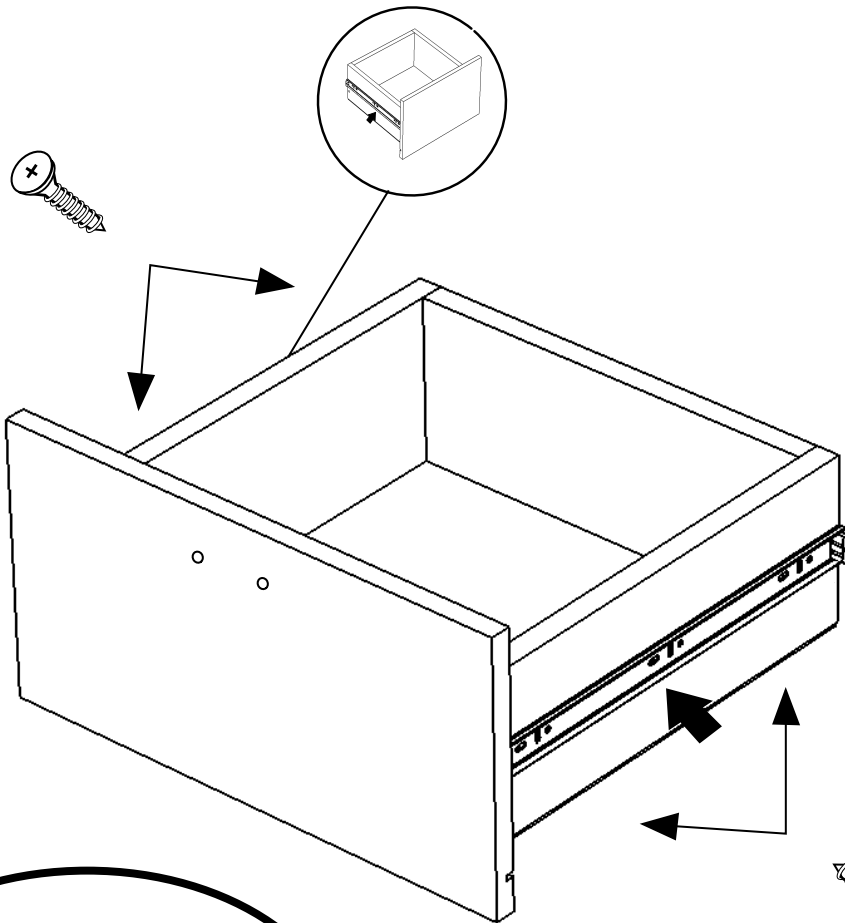




20 x2

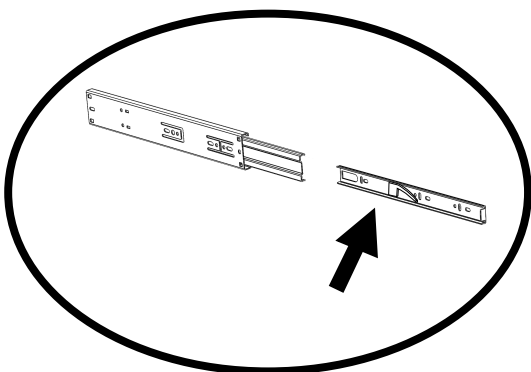


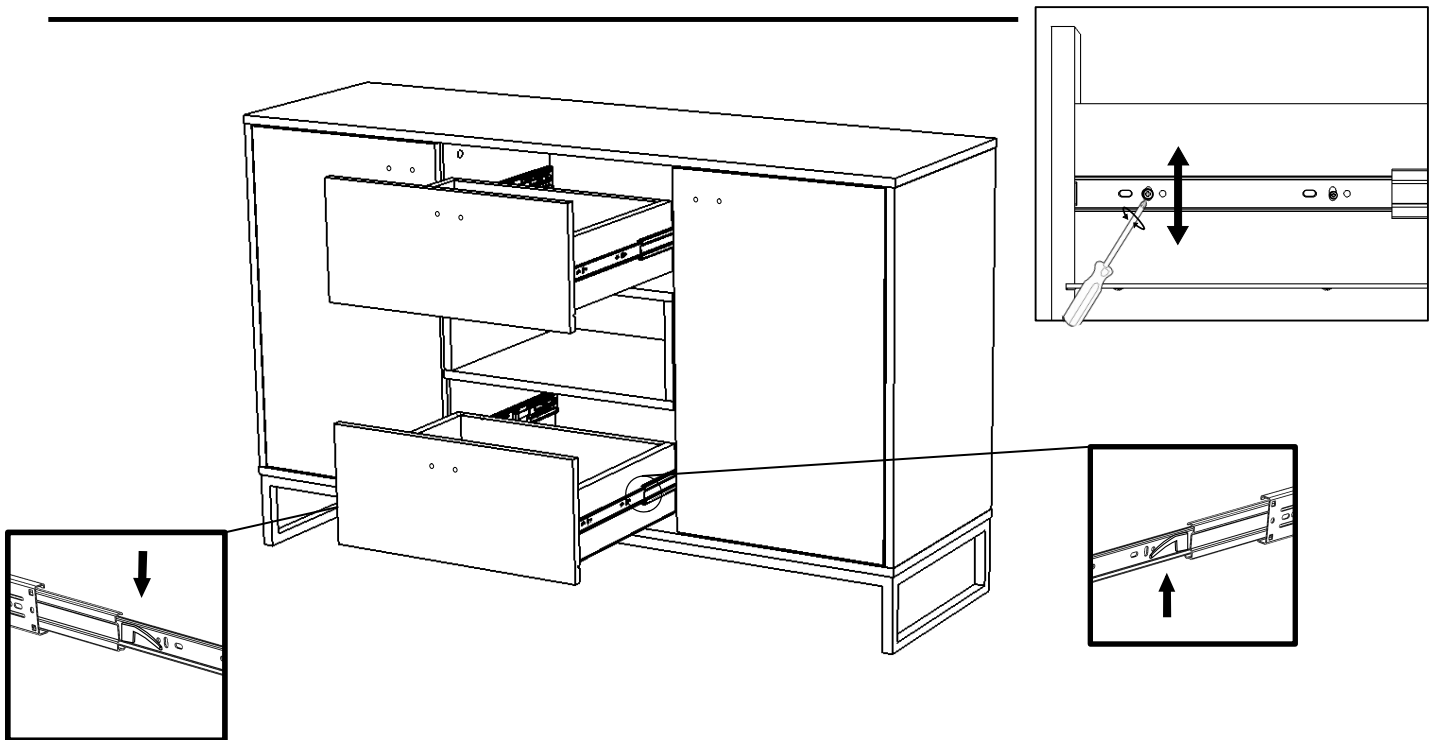
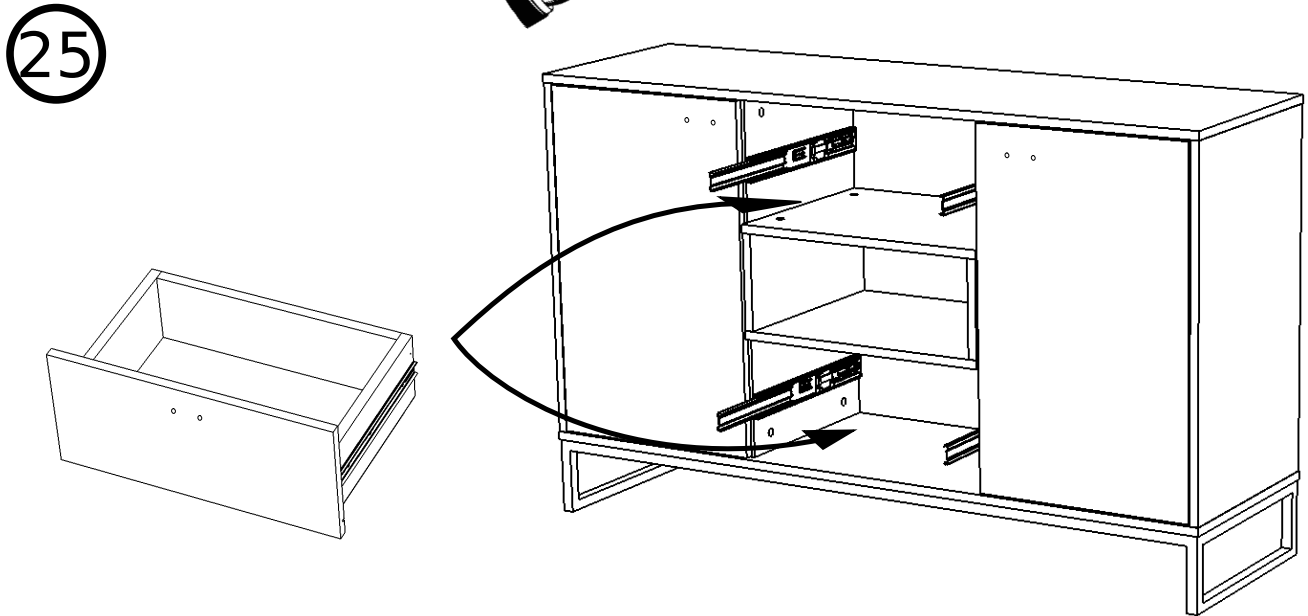
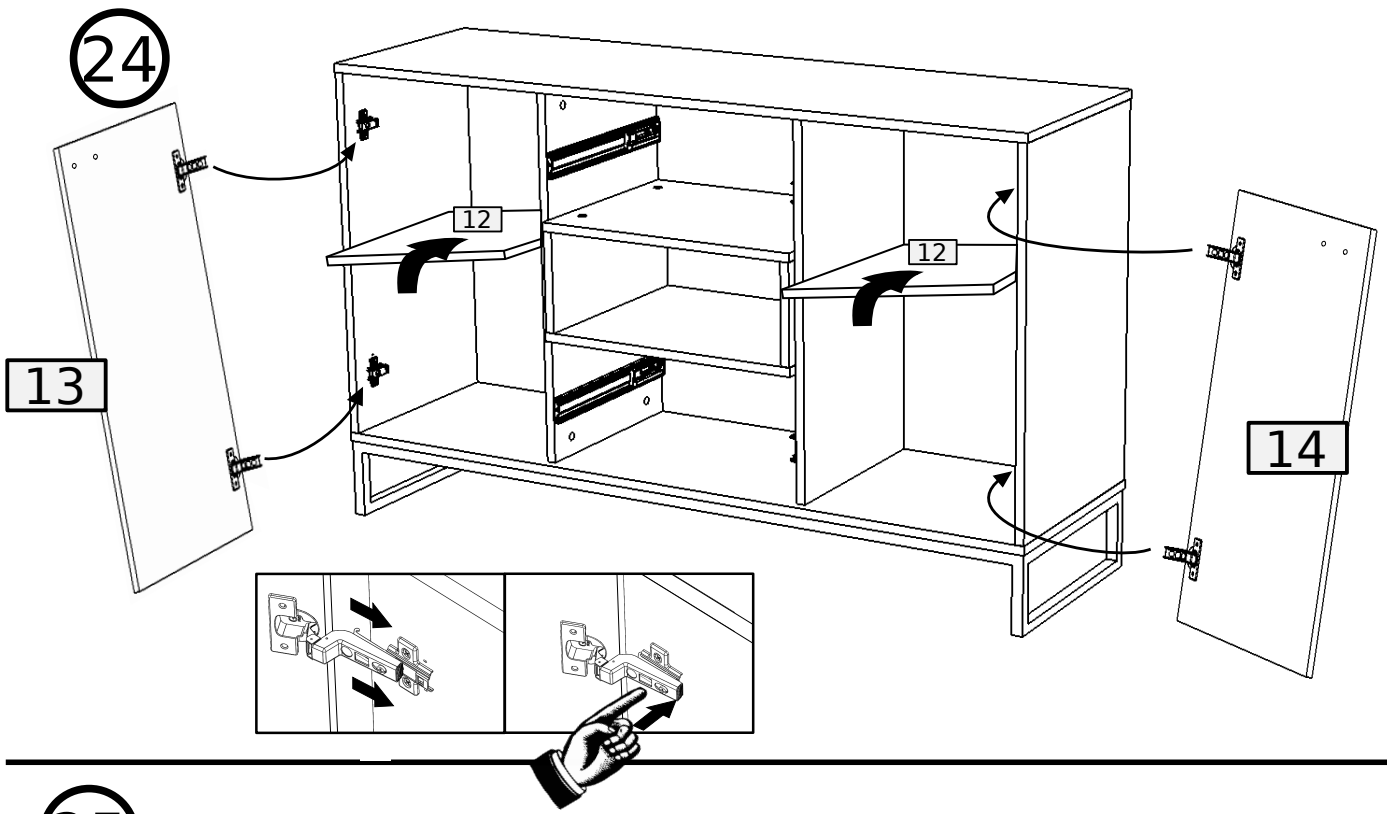
4	
	
3.0x20	W1

21

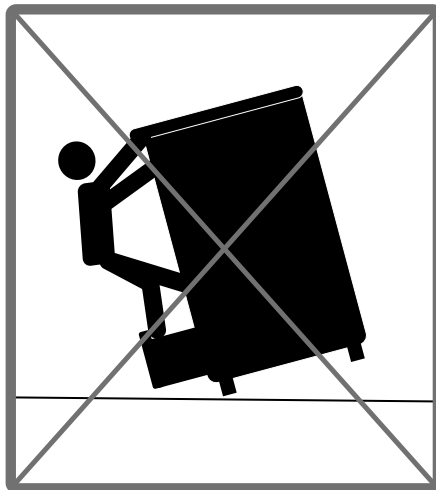
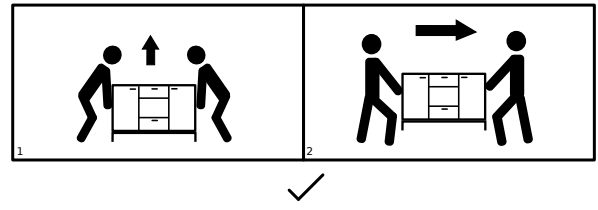
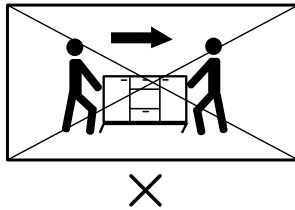
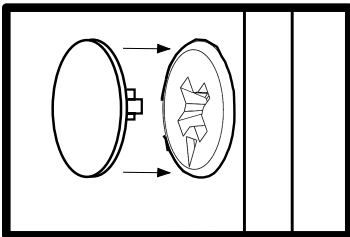
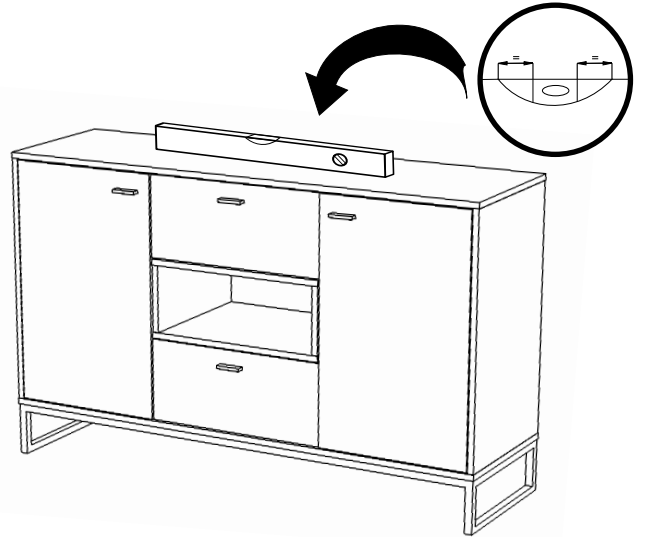
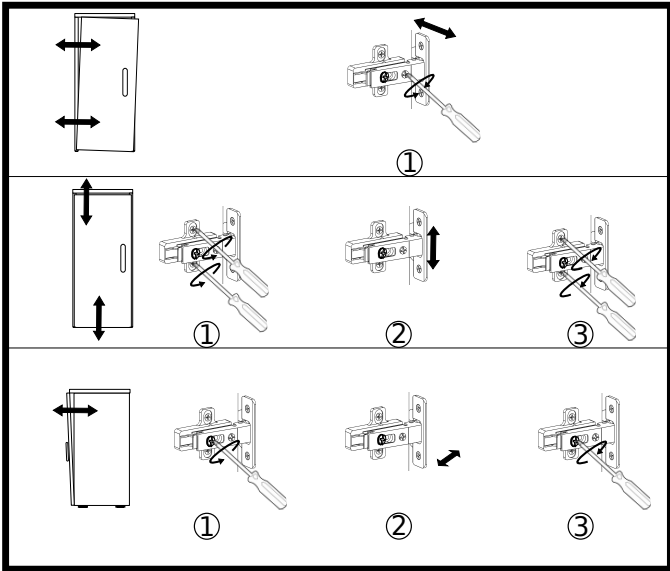
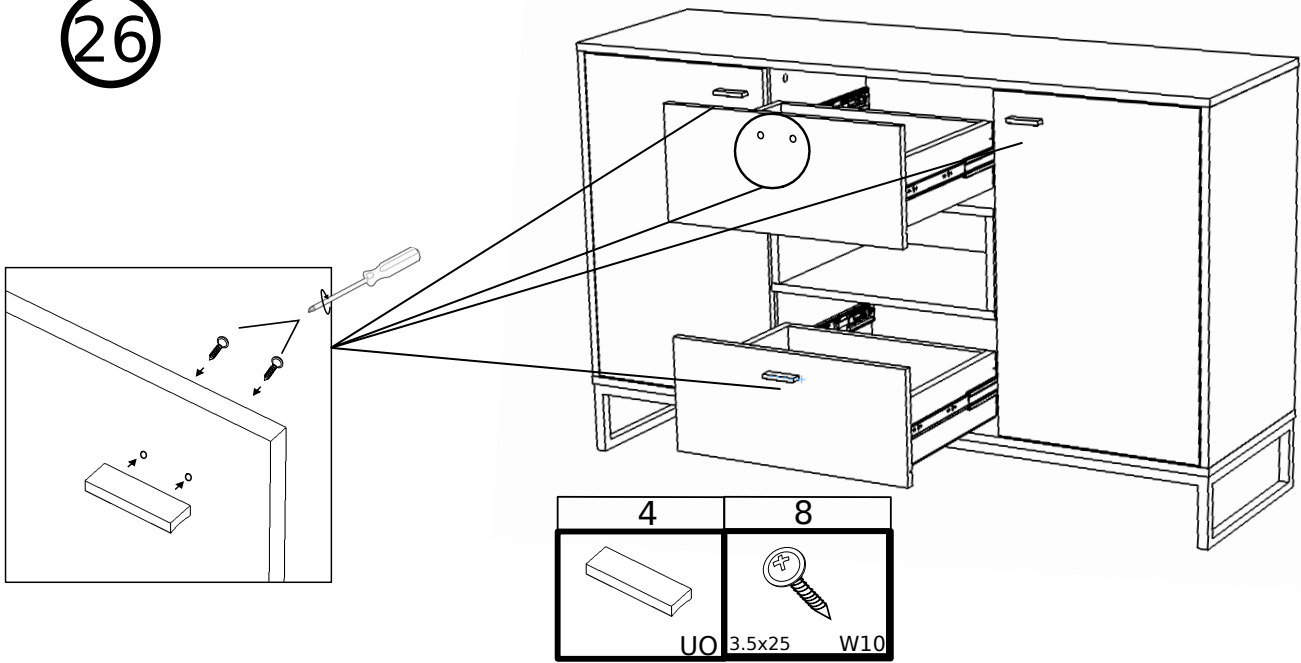


2	4
	
PK 3.5x16	W2





26



27

