
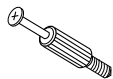
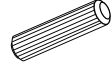



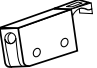
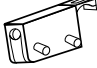

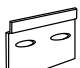
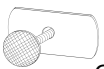
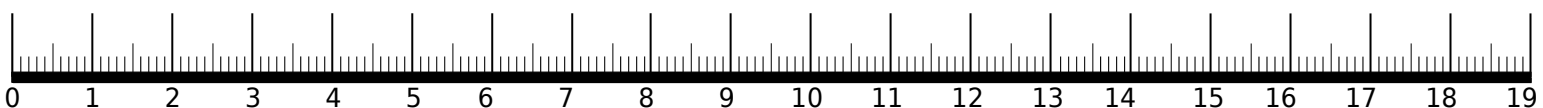
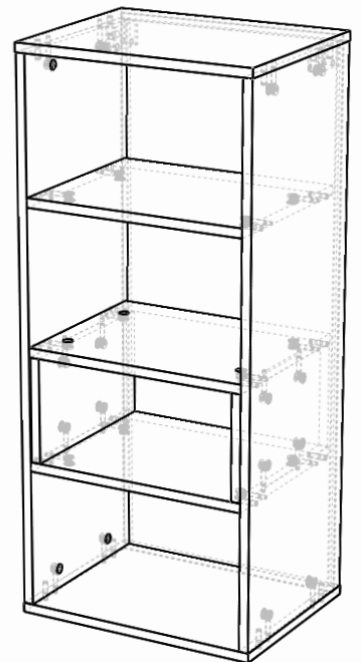
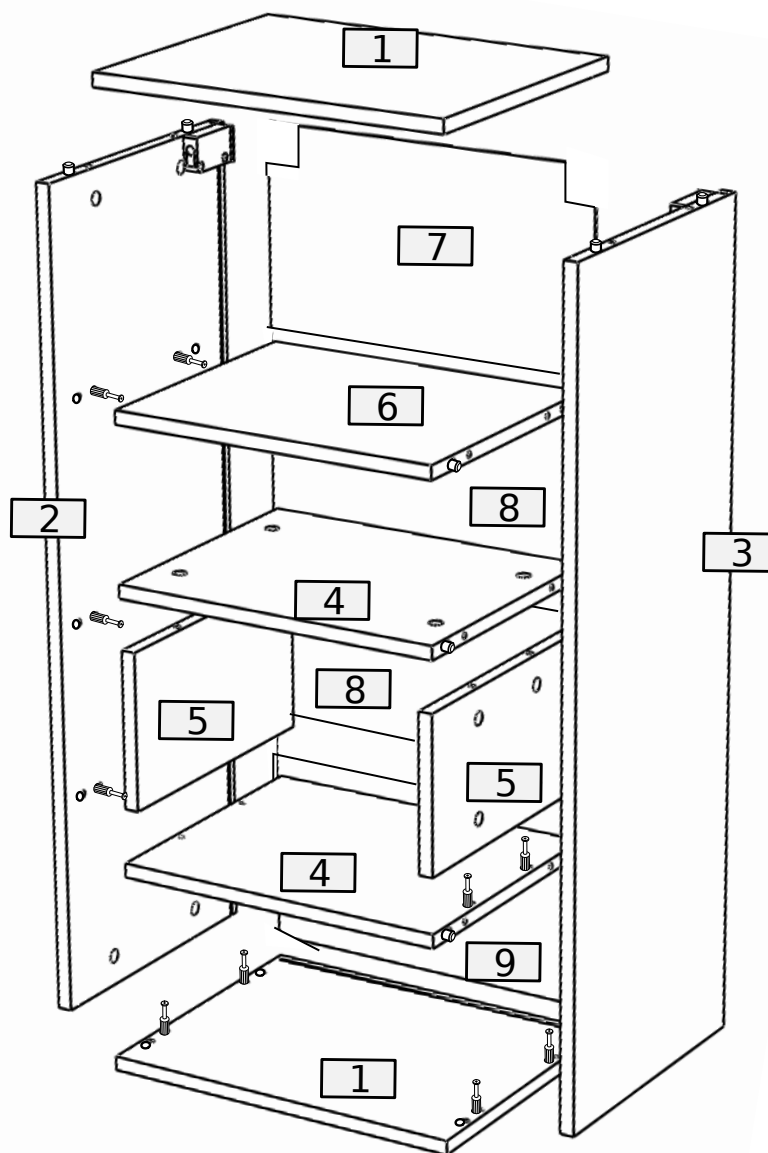


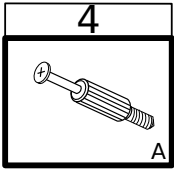
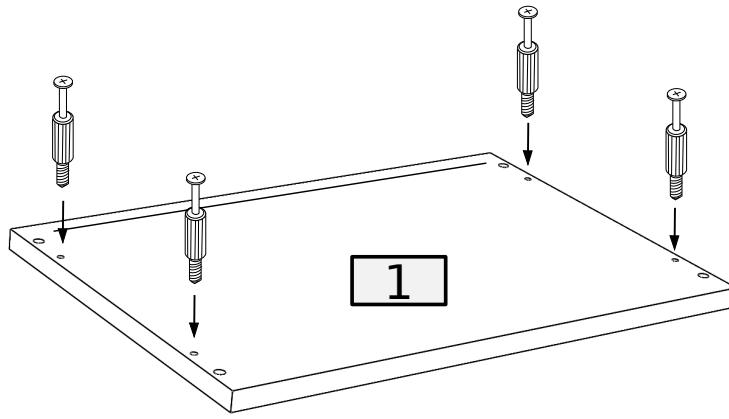
28	28	20	20	10	3
					
B	A 8.0x35	D	X	I	G
					
LT W	RT W	4.0x30 W8	WI	G2	
1	1	4	2	9	





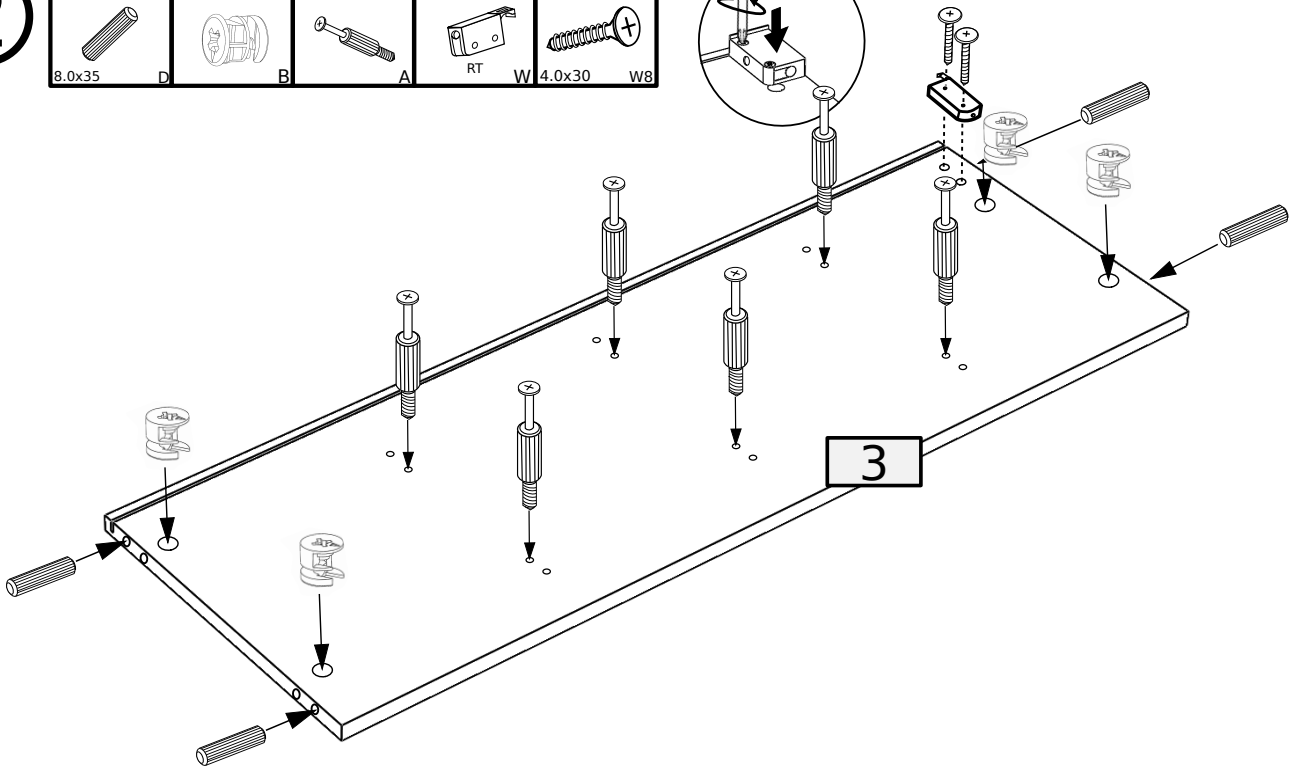
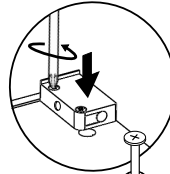
No.	Pcs.	L	W	D	Pac
1	1	420	330	16	1/1
2	1	930	328	16	1/1
3	1	930	328	16	1/1
4	2	386	308	16	1/1
5	2	307	220	16	1/1
6	1	386	308	16	1/1
7	1	400	235	3	1/1
8	2	400	235	3	1/1
9	1	400	235	3	1/1

① x2



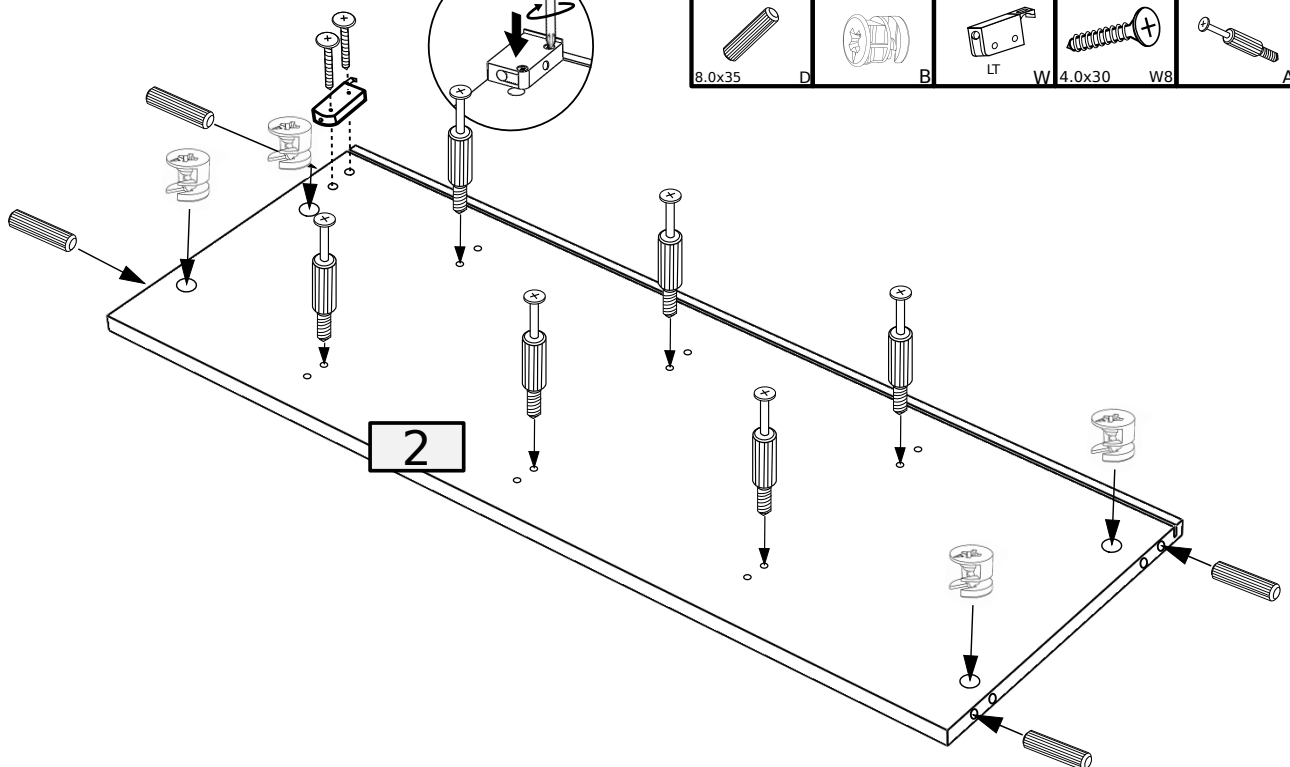
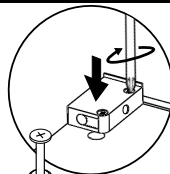
②

4	4	6	1	2
8.0x35	D	A	RT	W 4.0x30 W8

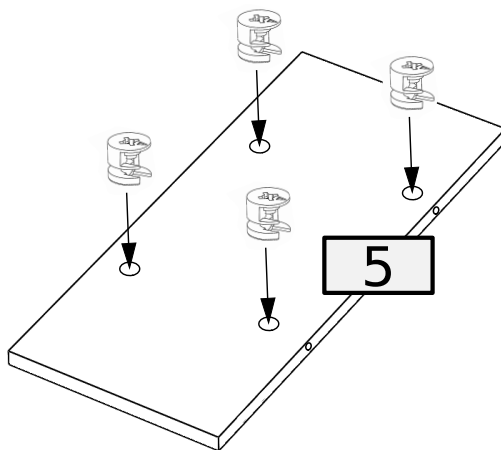
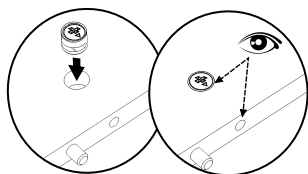
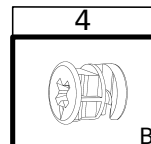


③

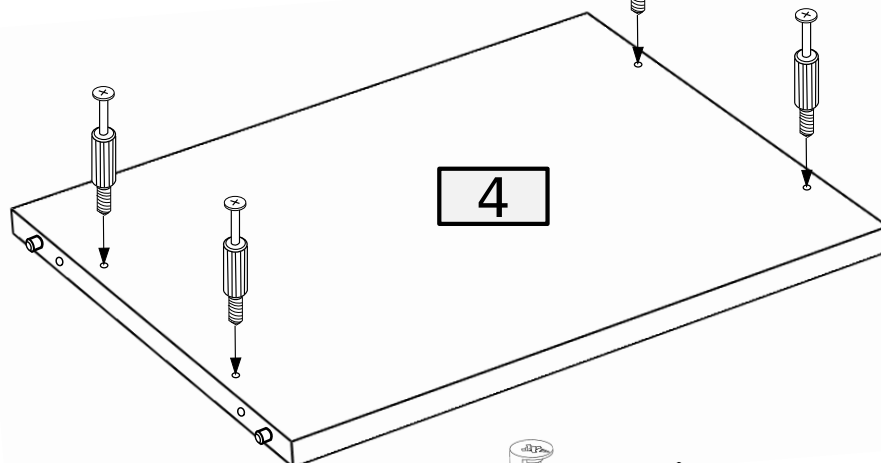
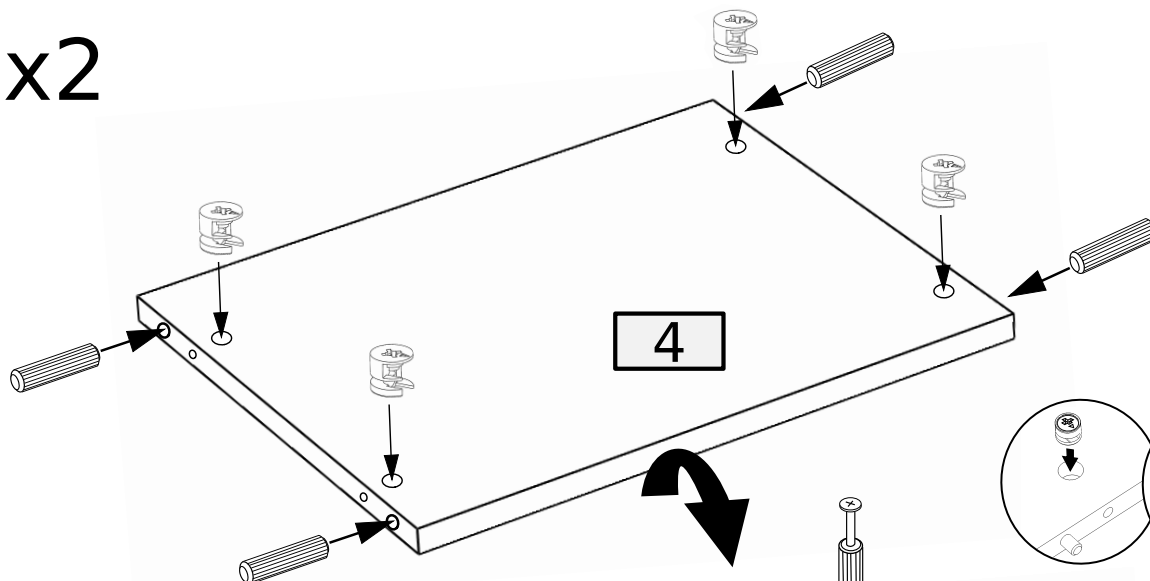
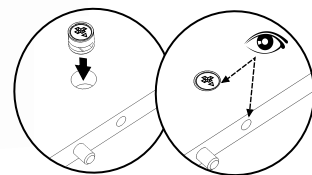
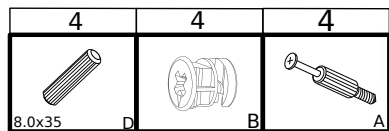
4	4	1	2	6
8.0x35	D	LT	W 4.0x30 W8	A



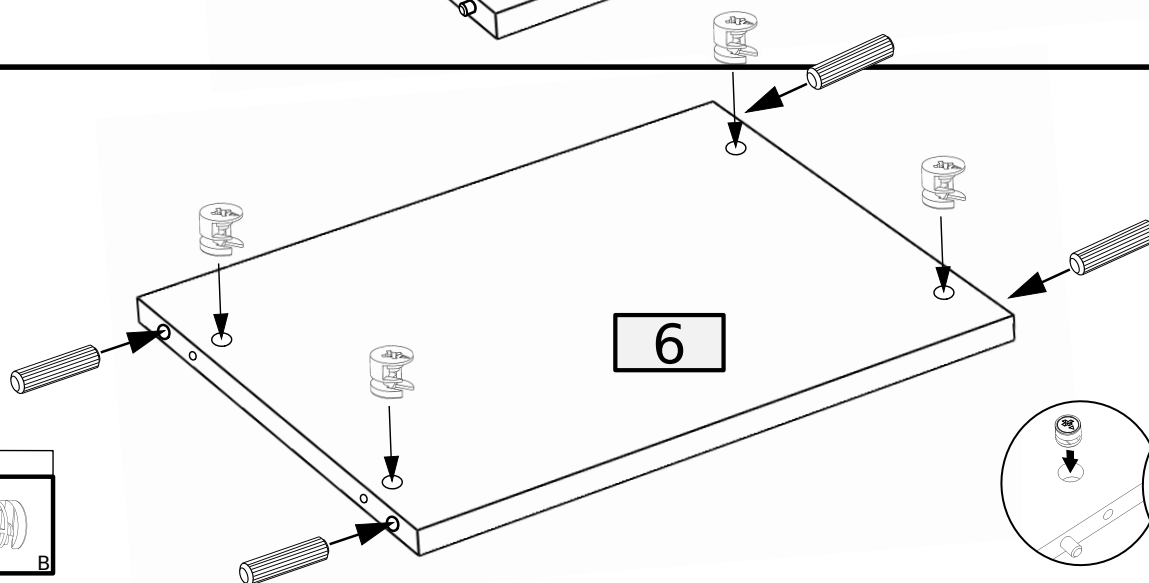
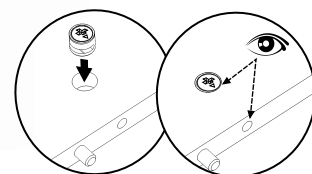
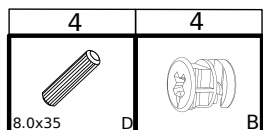
④ x2



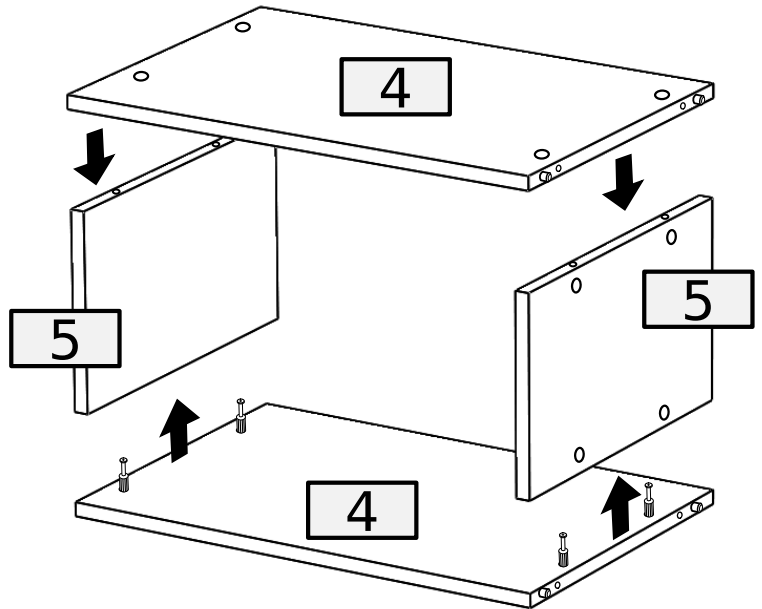
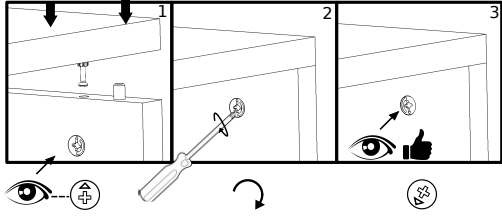
⑤ x2



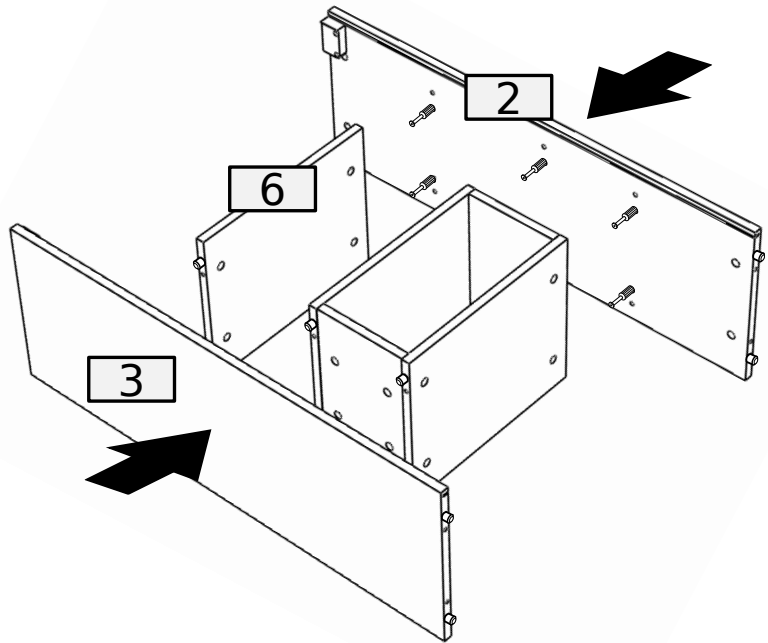
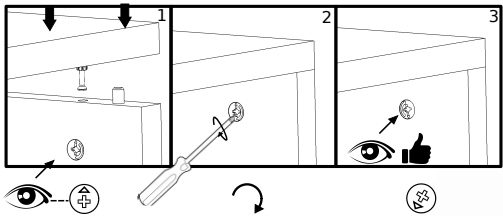
⑥



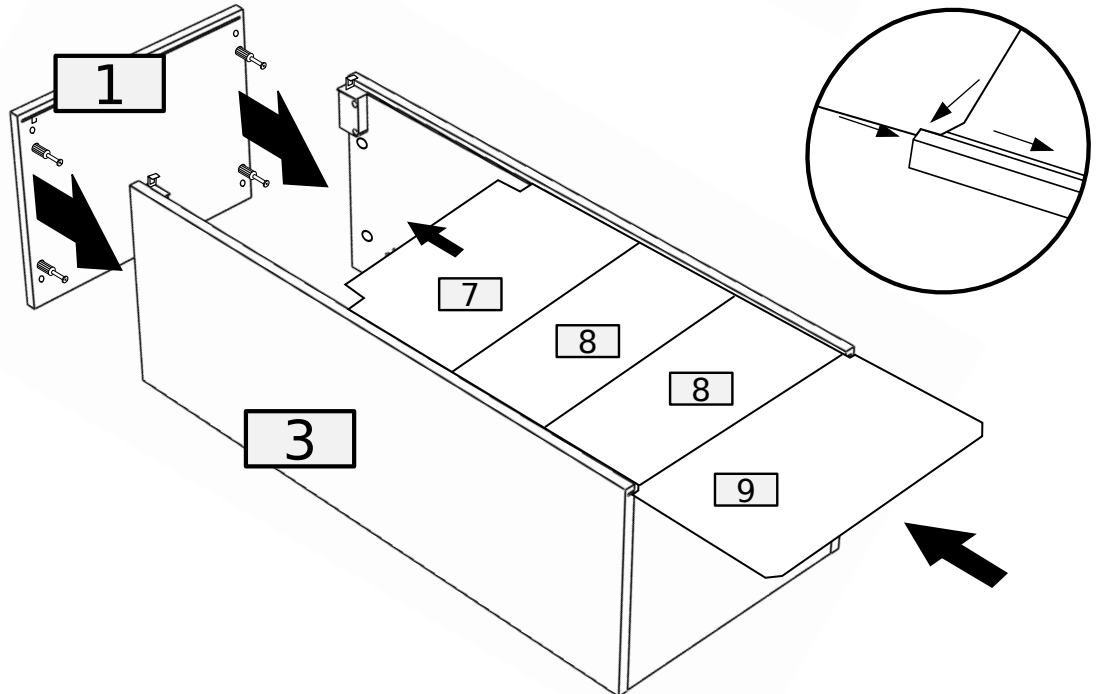
7



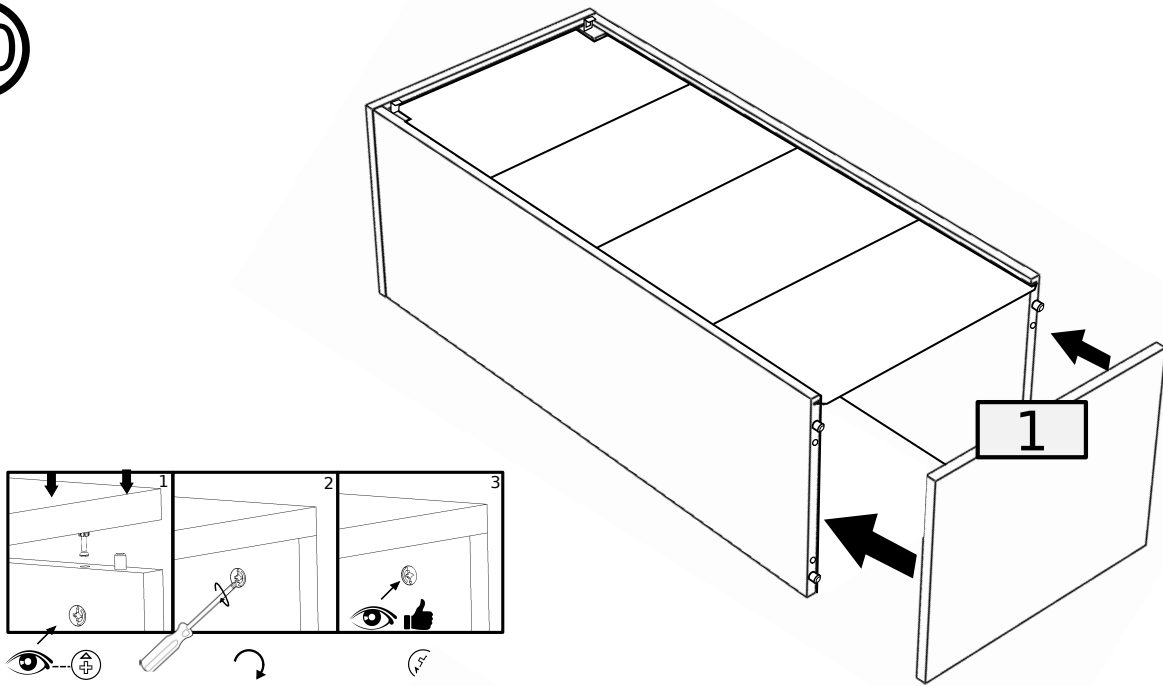
8



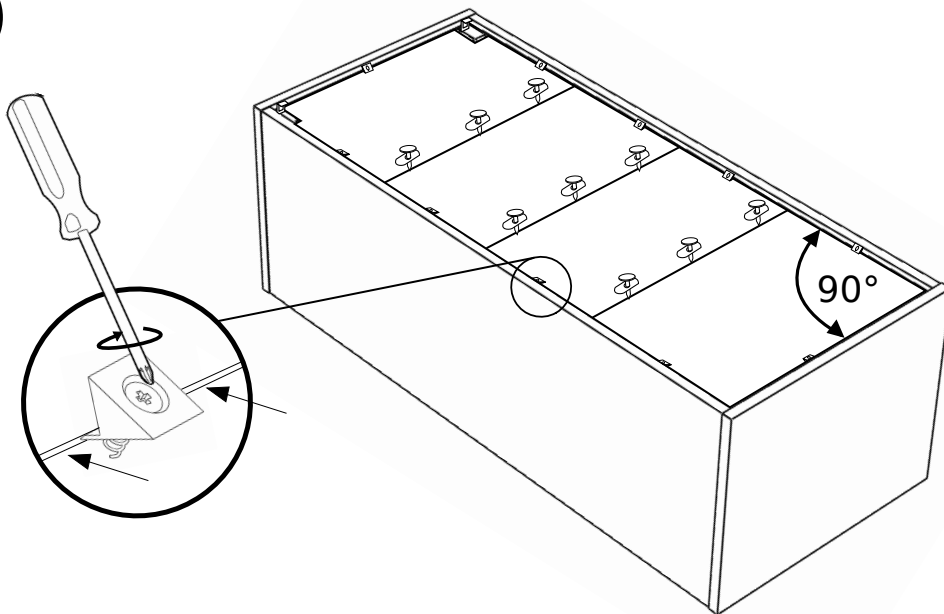
9

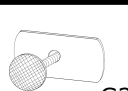



10

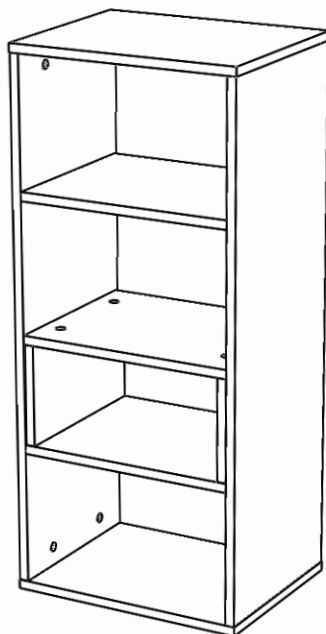


11



9	10
 G2	 I

12



13

