
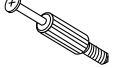
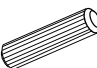

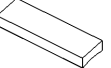








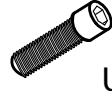

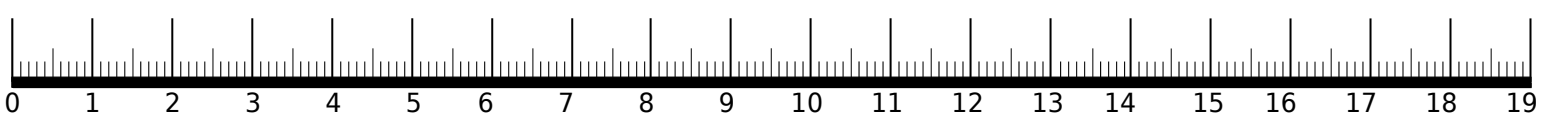
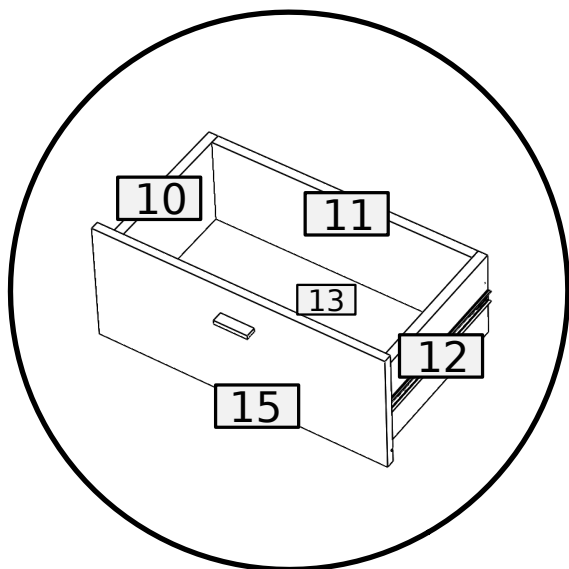
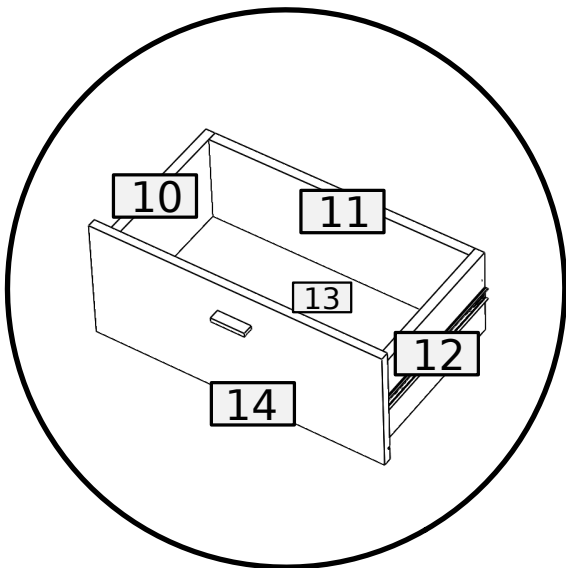
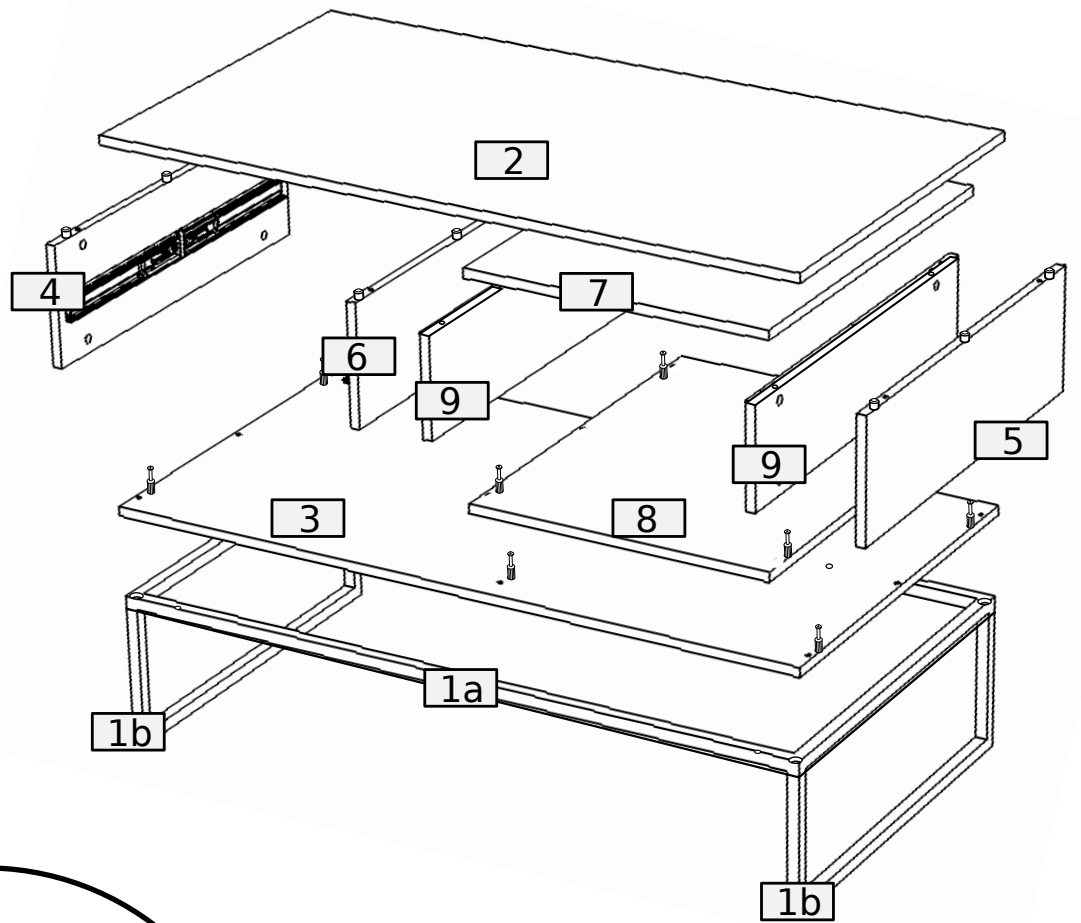


28	28	34	16	2	2
					
B	A 8.0x35	D 3.5x16 W2	UO 4.0x25 W7		
					
X L-300	PK 3.0x20 W1	3.5x25 W10	∅6 G4		
12	2	8	4	8	

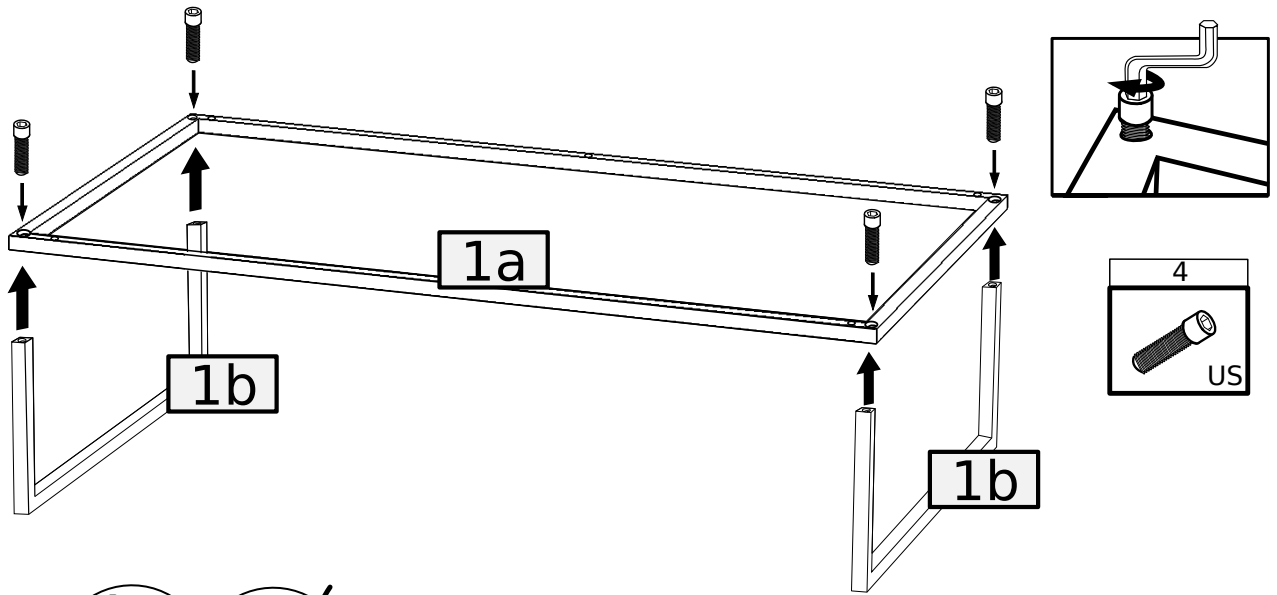
1	
	
U1	
	
US 4.0x35	W11
4	6



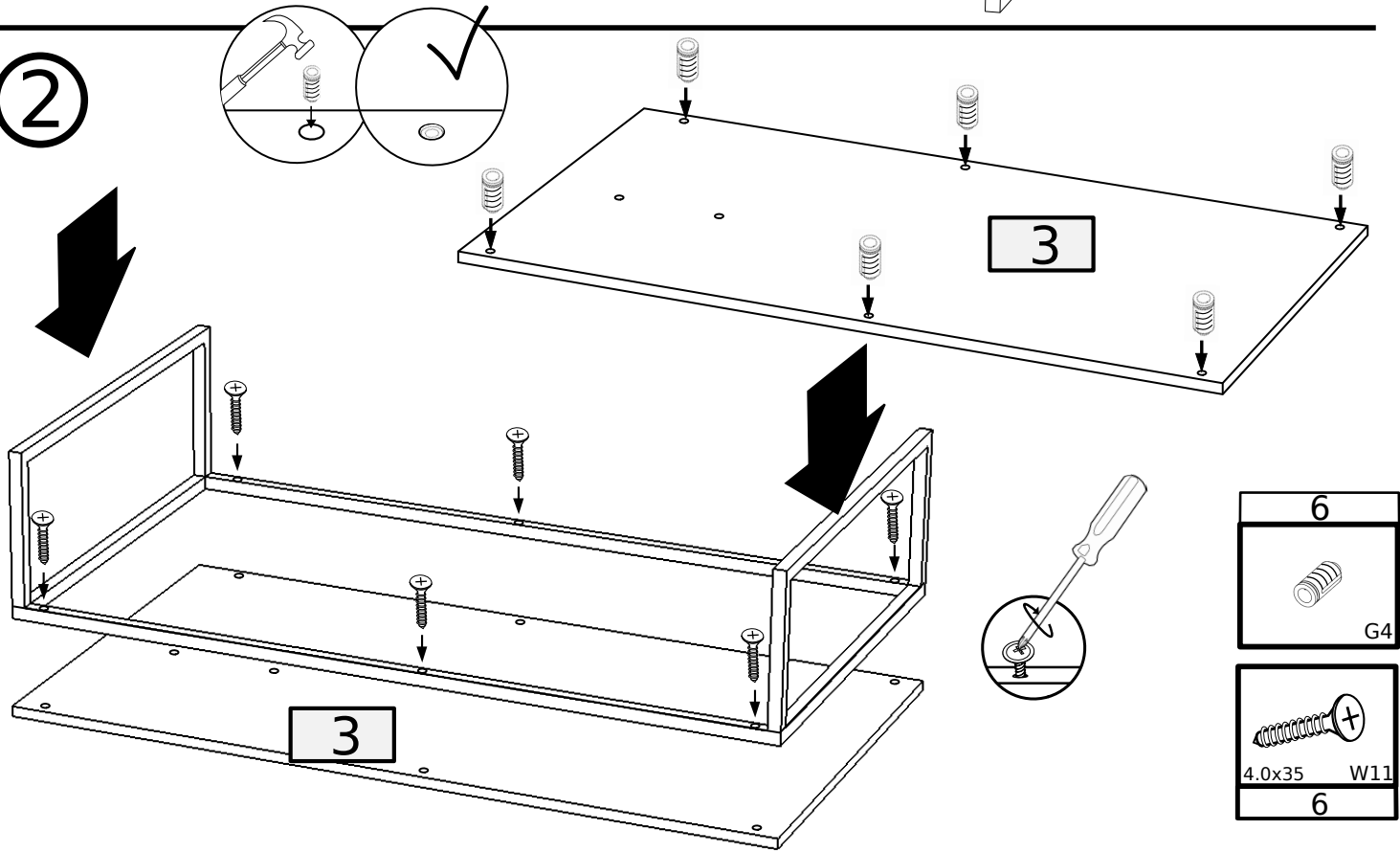


No.	Pcs.	L	W	D	Pac
1a	1	1195	645	20	1/2
1b	2	645	180	20	1/2
2	1	1200	650	16	1/2
3	1	1200	650	16	1/2
4	1	648	206	16	1/2
5	1	648	206	16	1/2
6	1	610	206	16	1/2
7	1	648	508	16	2/2
8	1	648	508	16	2/2
9	2	646	174	16	2/2
10	2	300	160	16	2/2
11	2	584	142	16	2/2
12	2	300	160	16	2/2
13	2	599	307	3	1/2
14	1	654	200	16	2/2
15	1	654	200	16	2/2

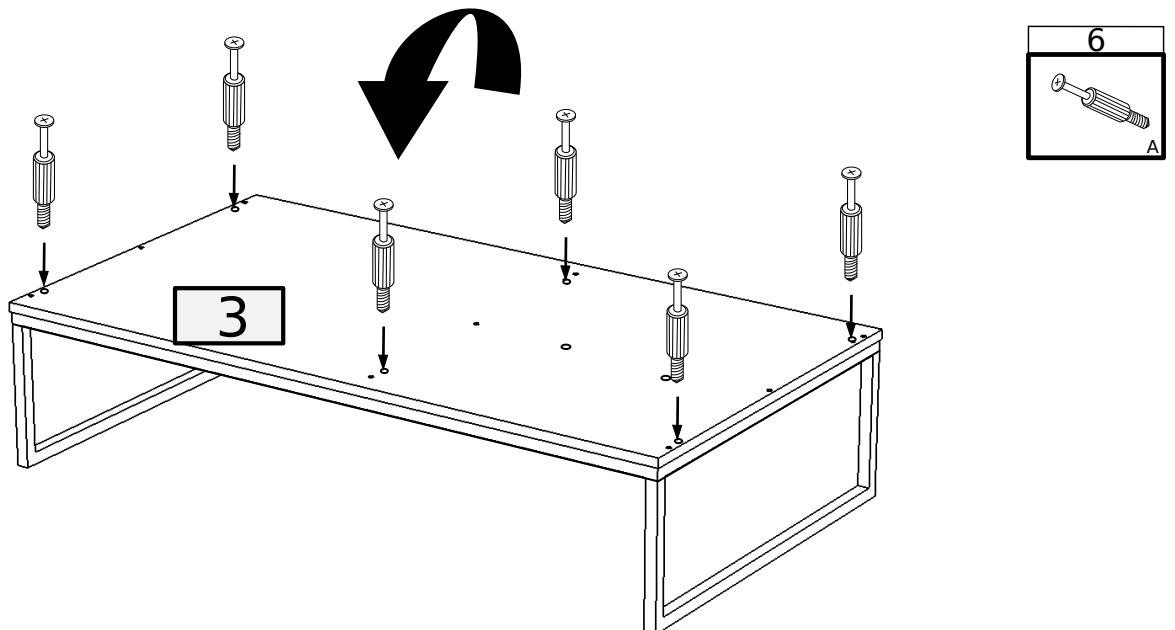
1



2



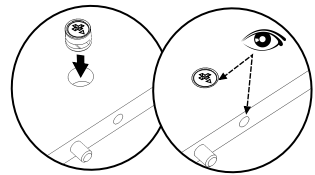
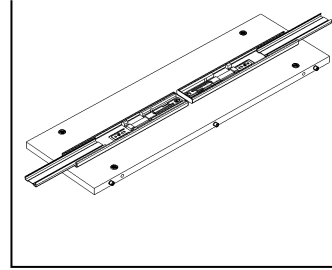
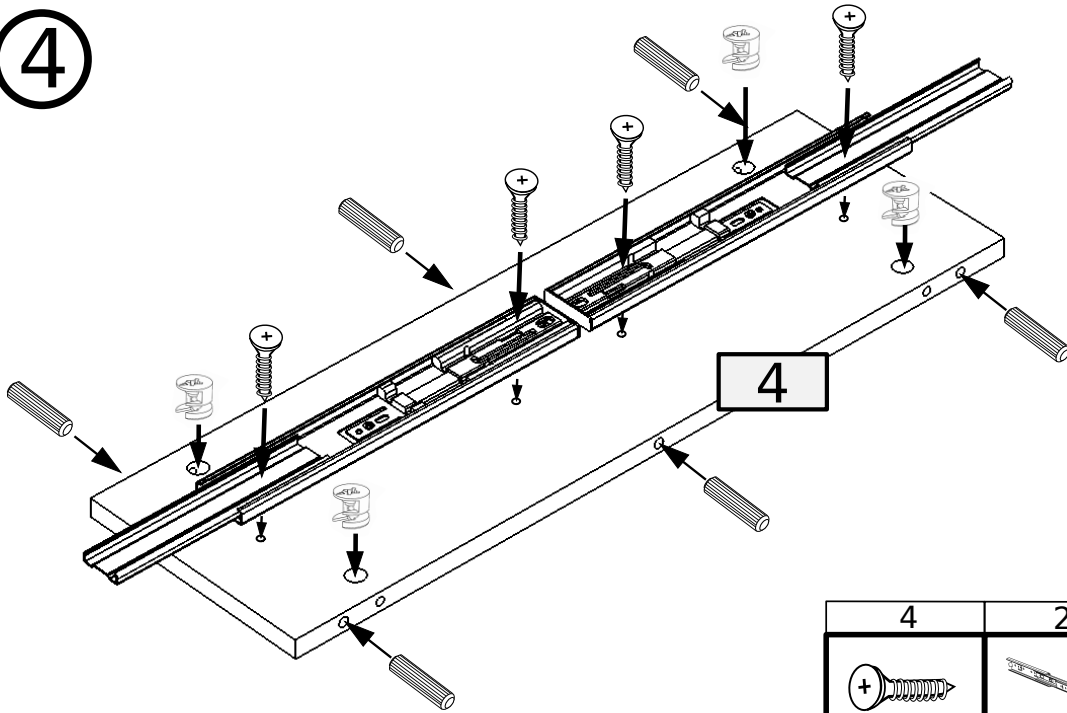
3

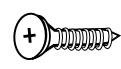

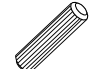



x2

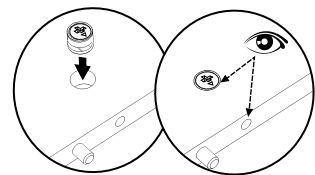
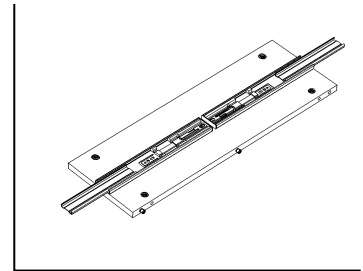
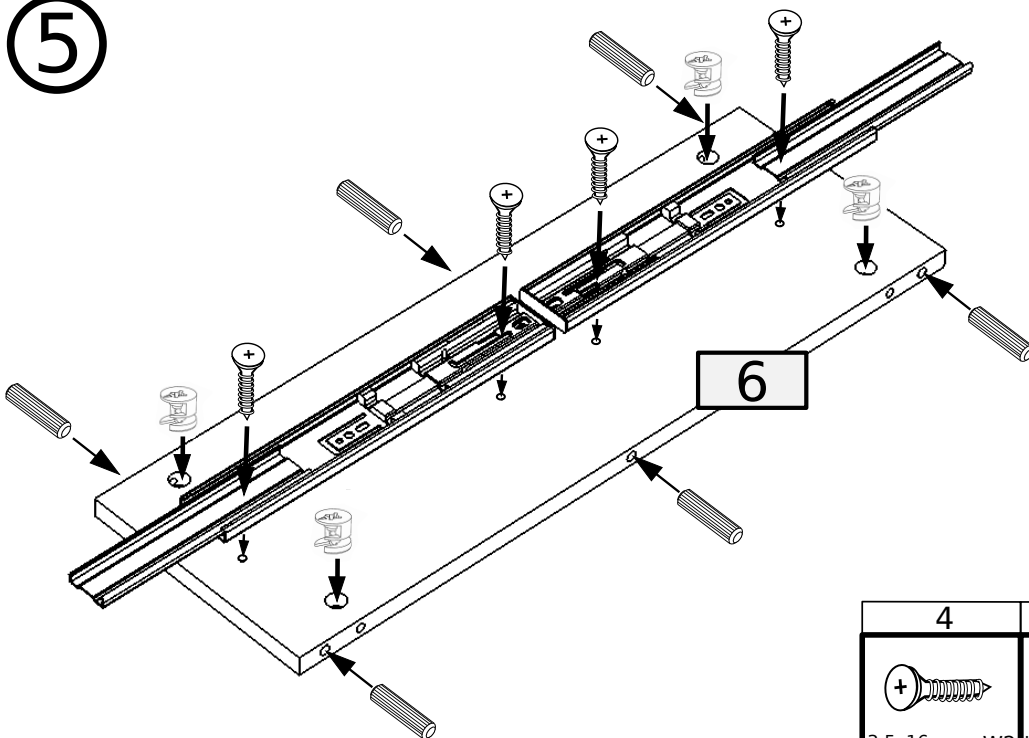
PK



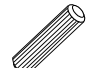

④



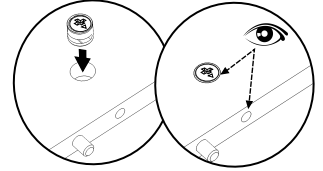
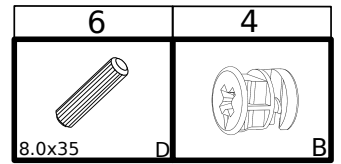
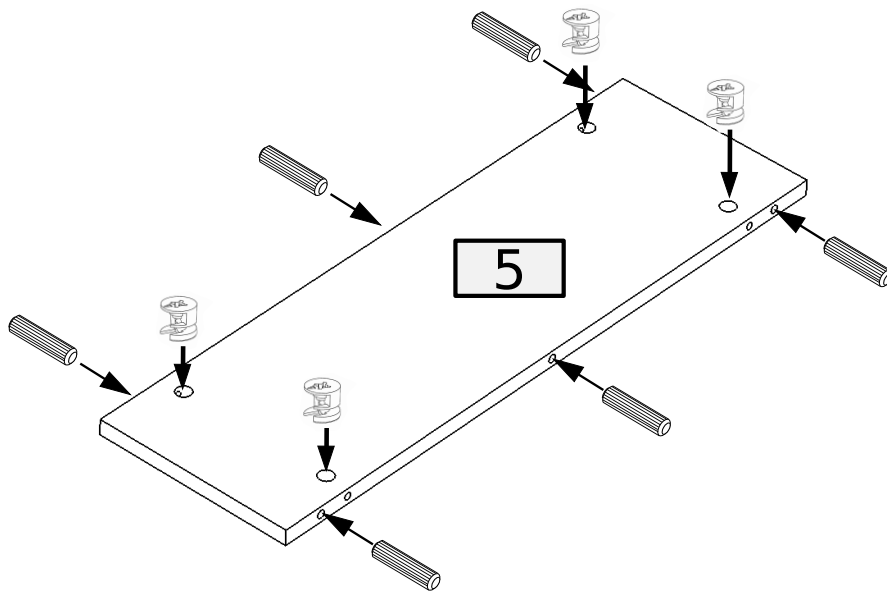
4	2	6	4
			
3.5x16	W2 L-300	PK 8.0x35	D B

⑤

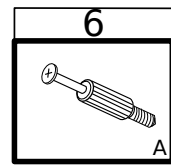
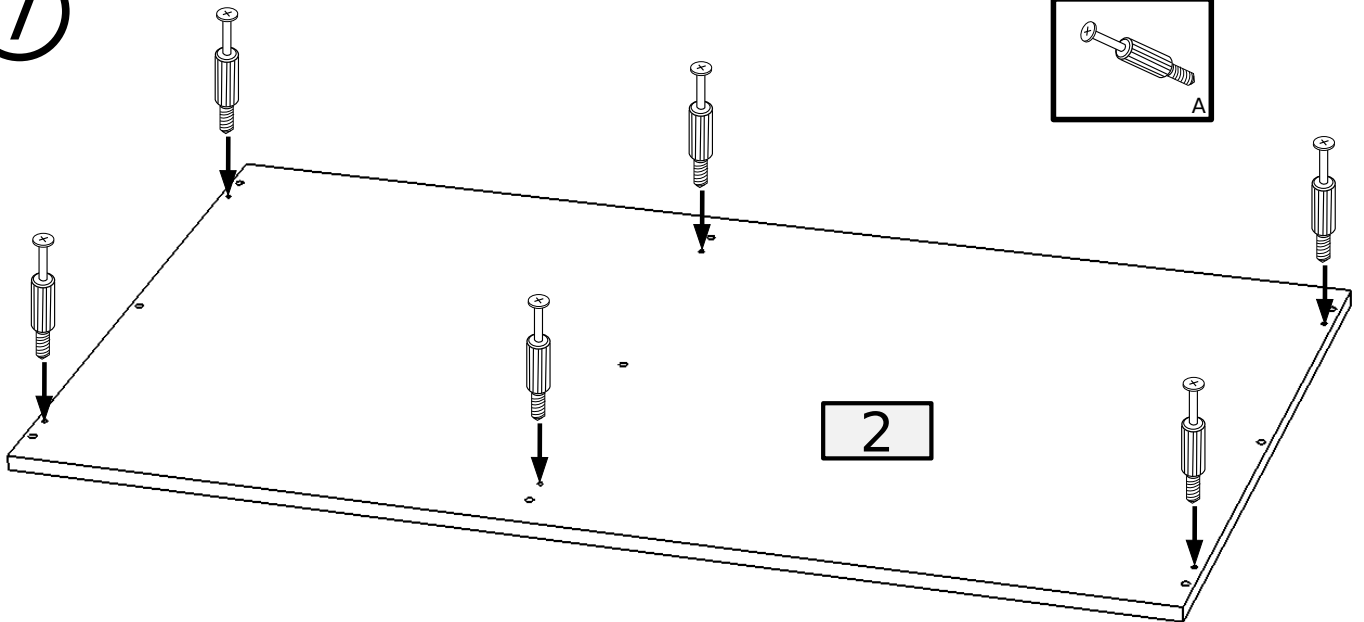


4	2	6	4
			
3.5x16	W2 L-300	PK 8.0x35	D B

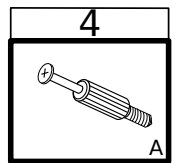
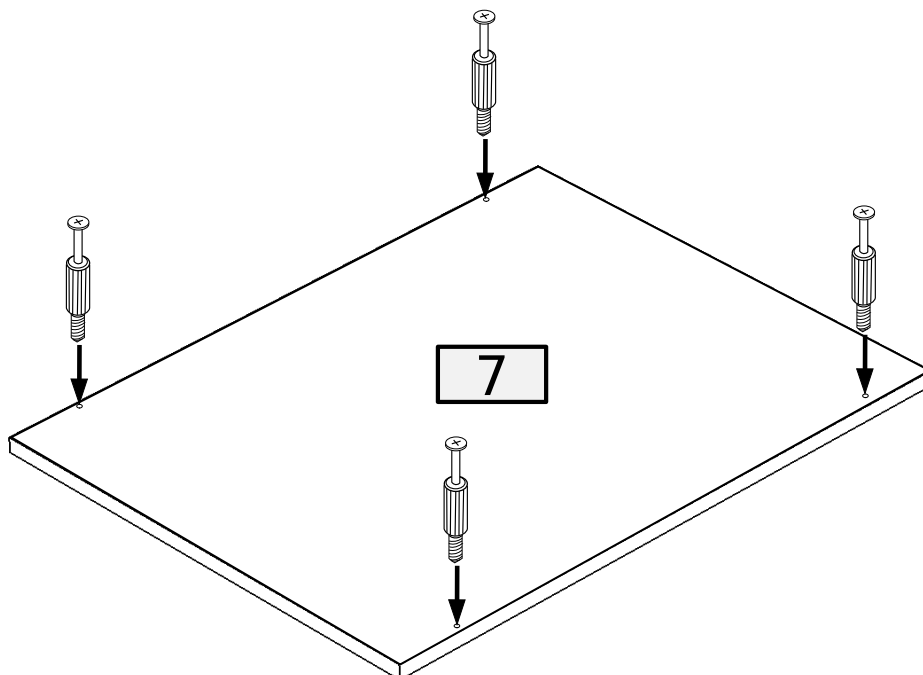
6



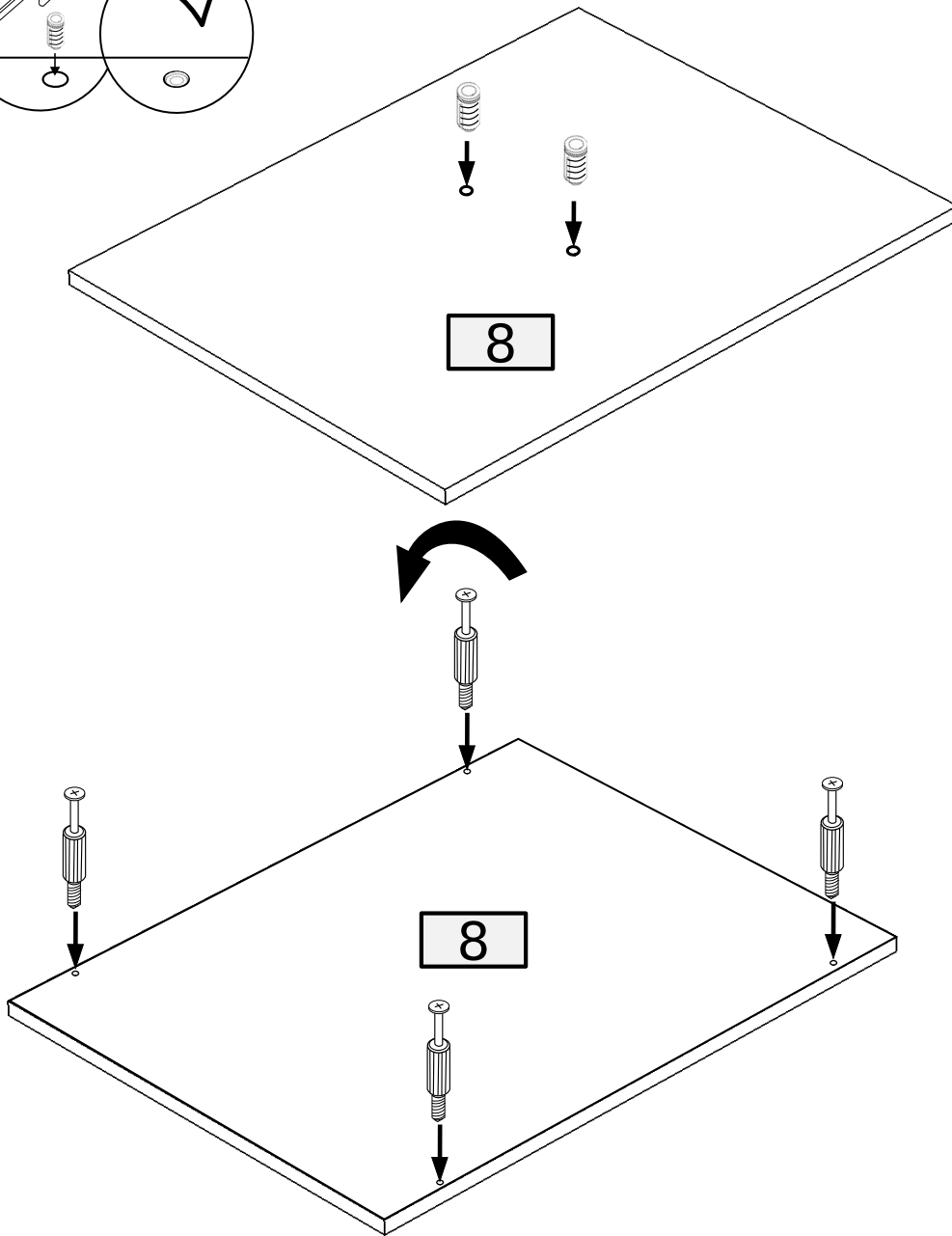
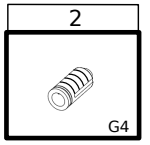
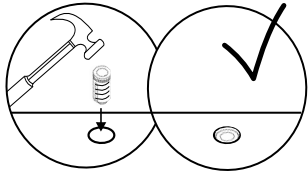
7



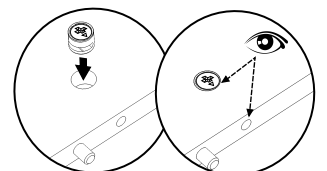
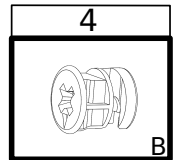
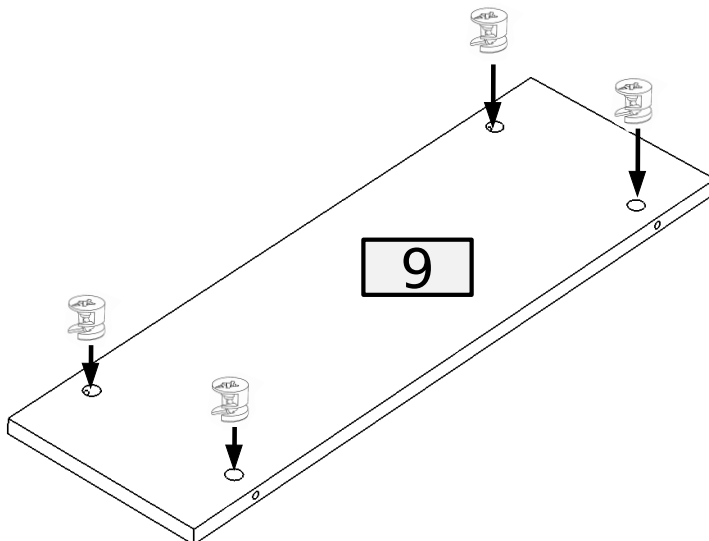
8



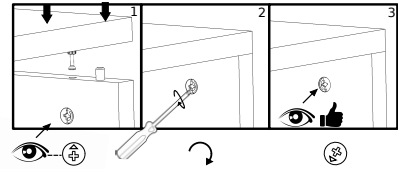
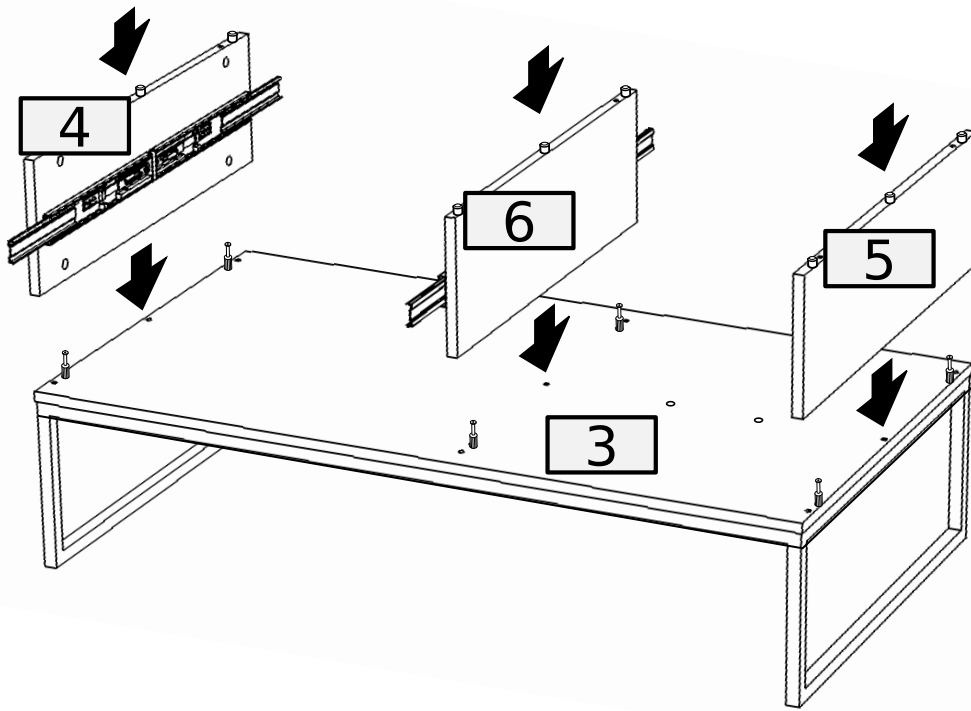
9



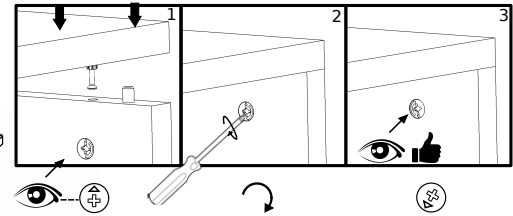
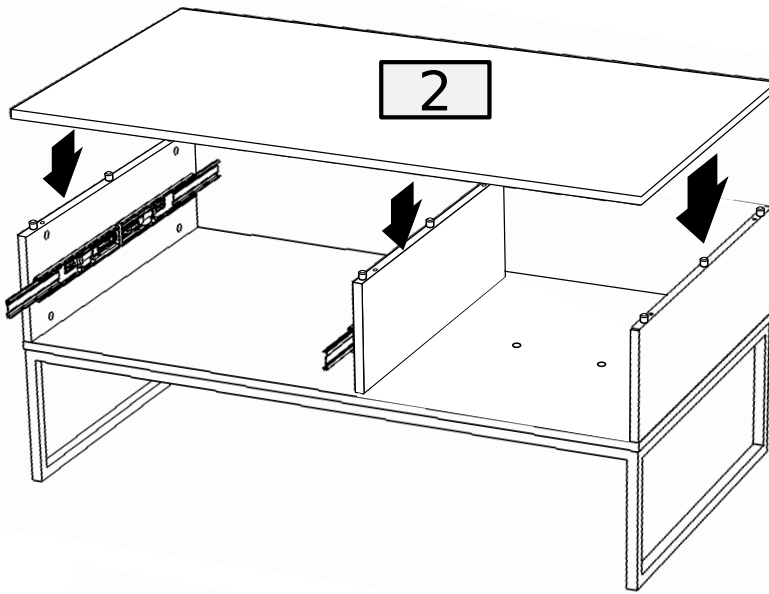
10 x2



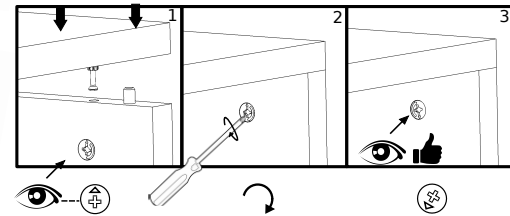
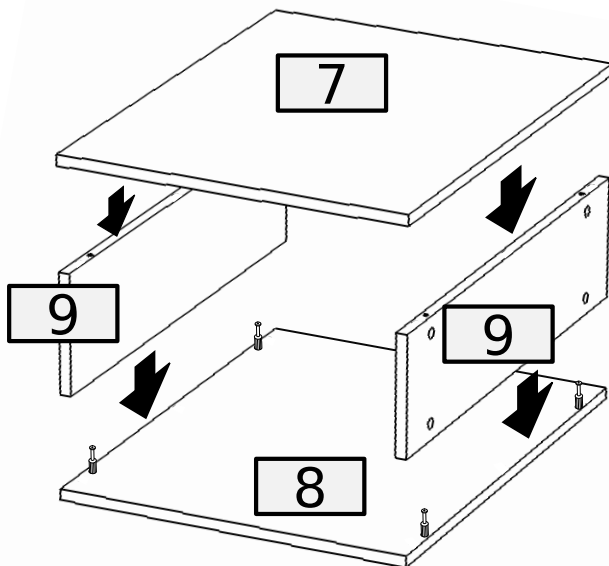
11



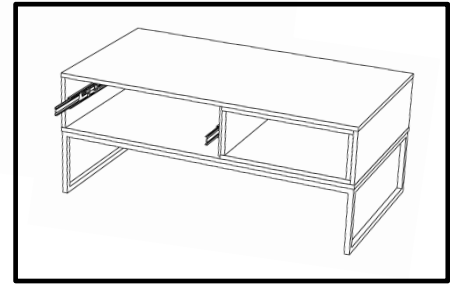
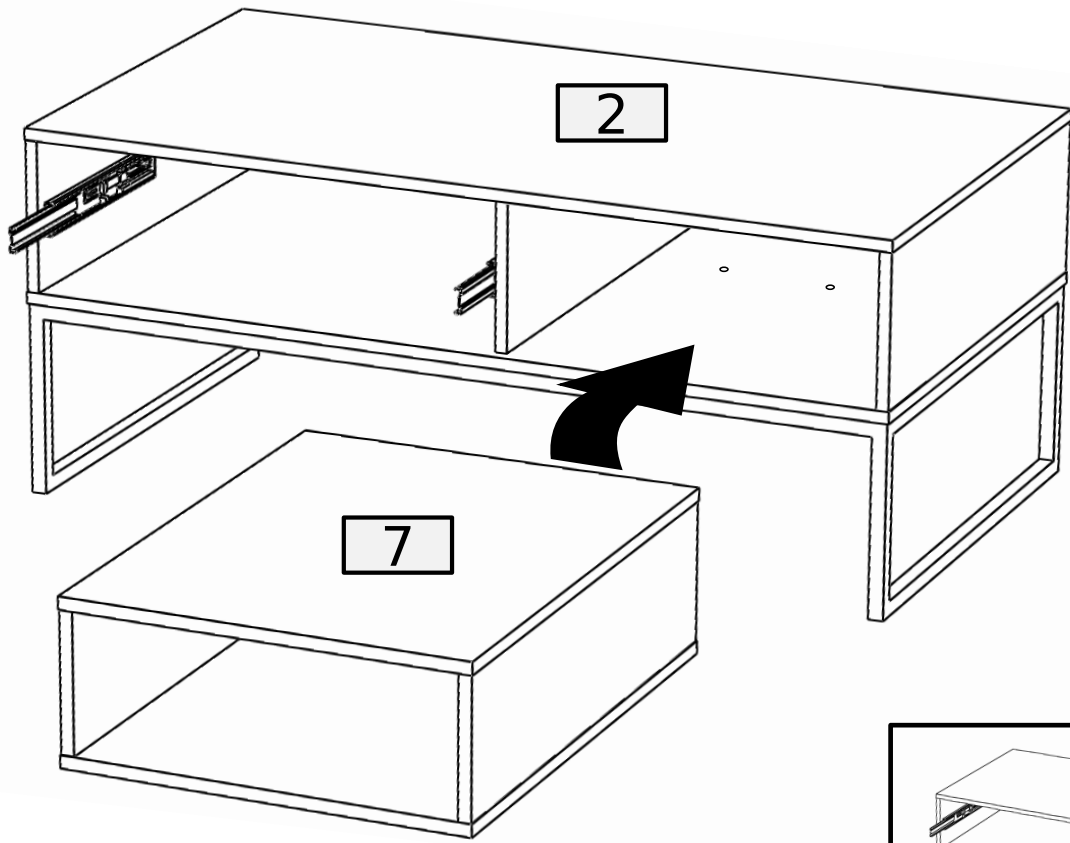
12



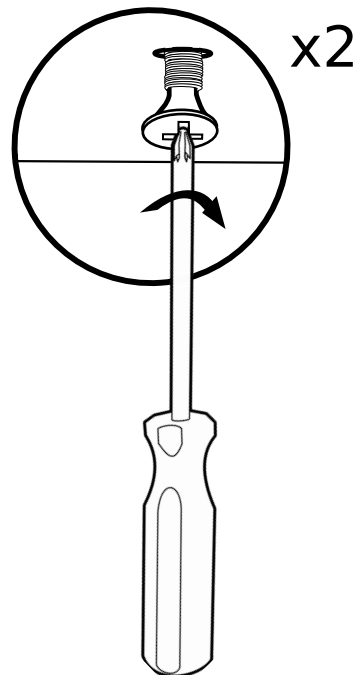
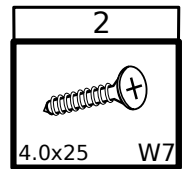
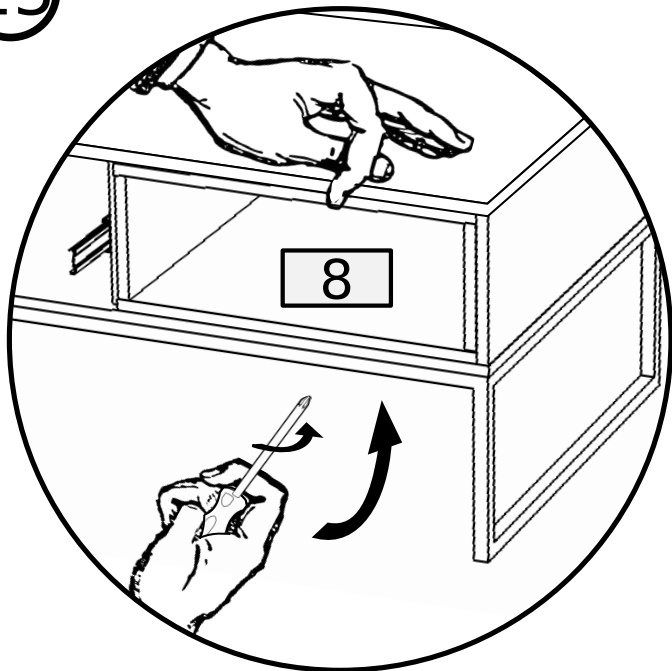
13



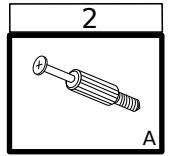
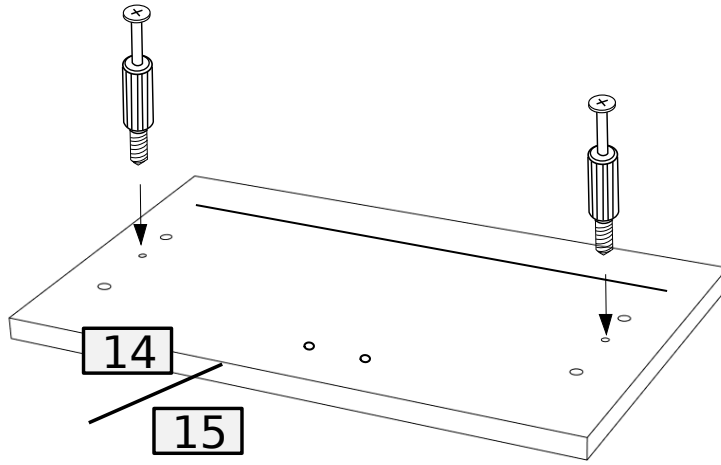
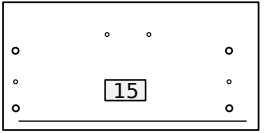
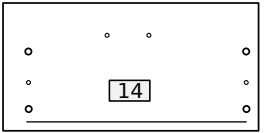
14



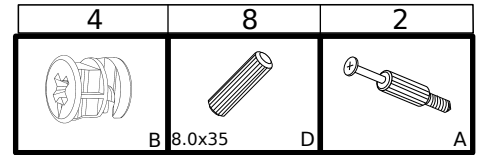
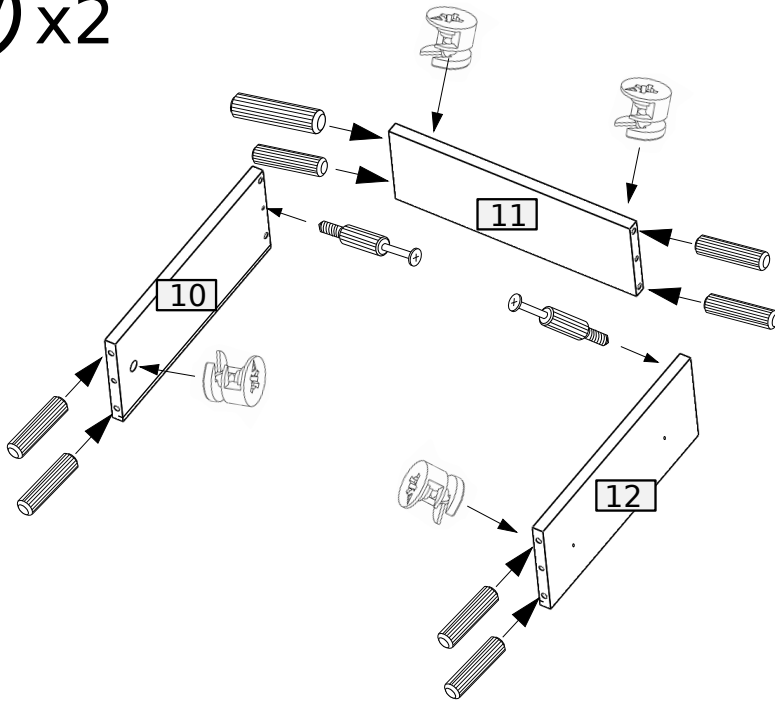
15



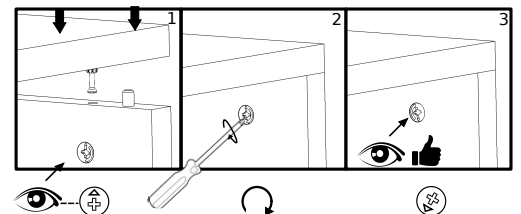
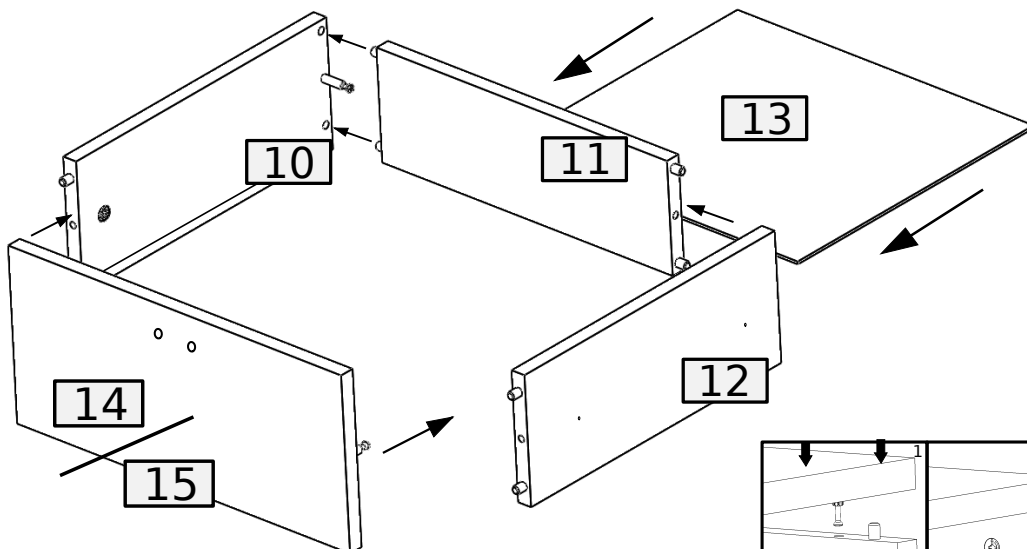
16 x2



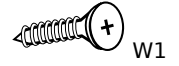
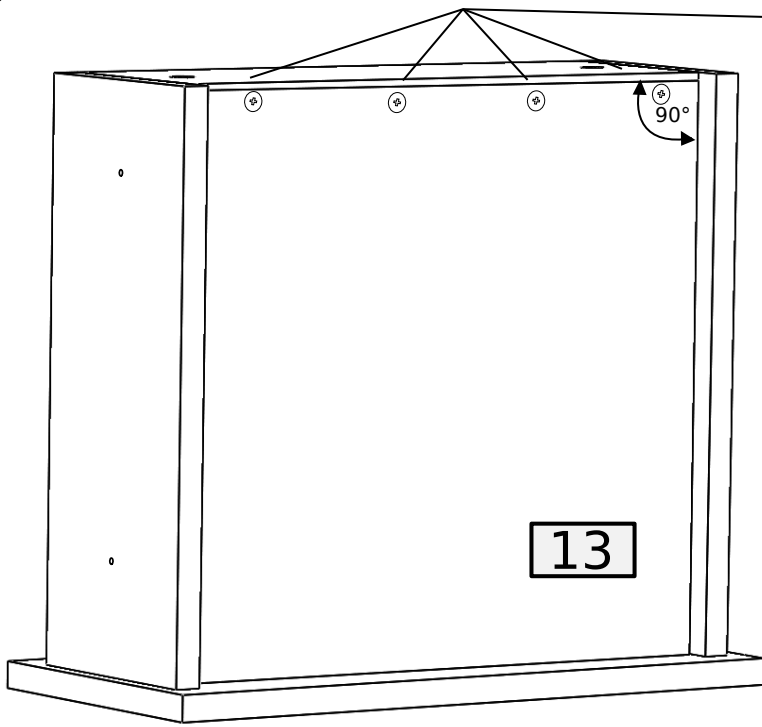
17 x2




18 x2

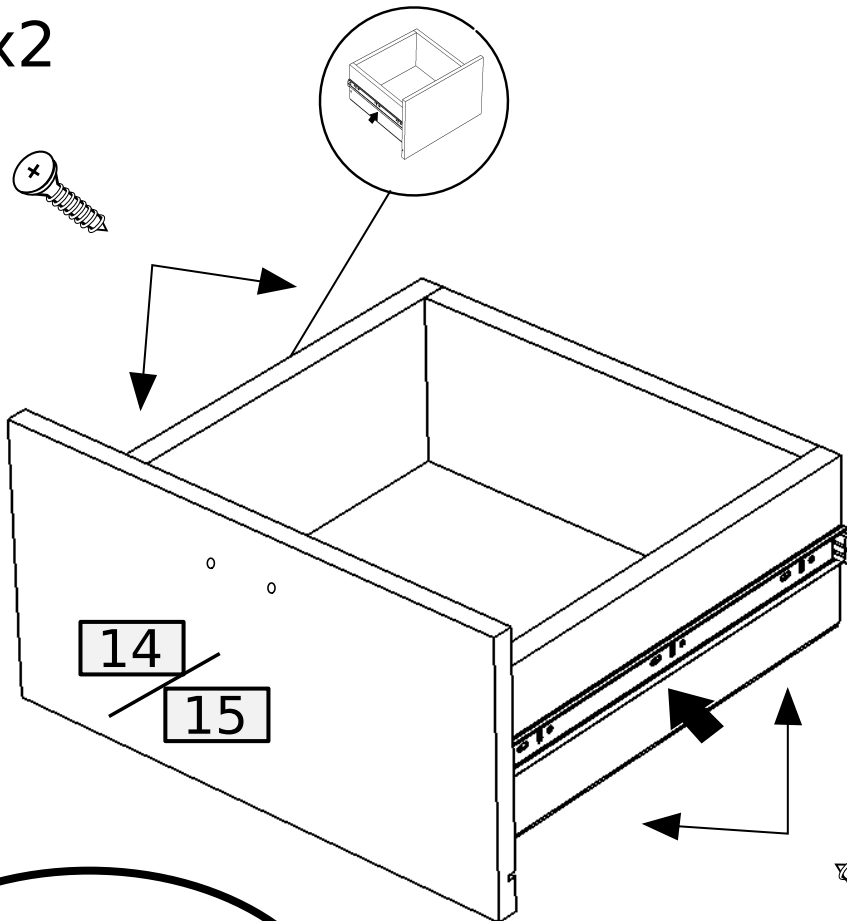




19 x2

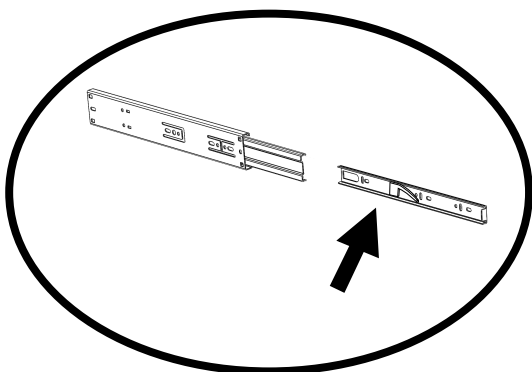


4	
	
3.0x20	W1

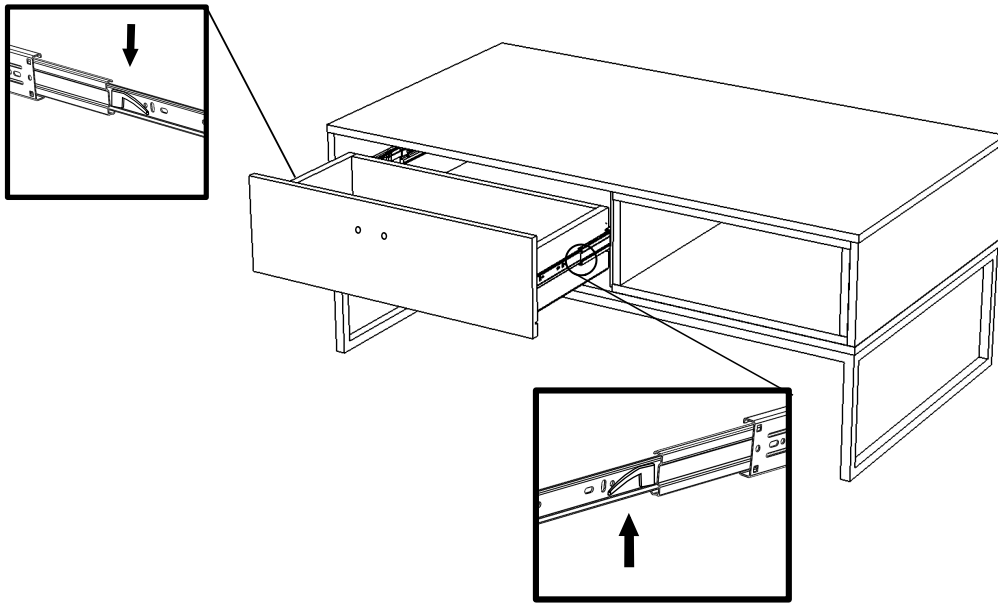
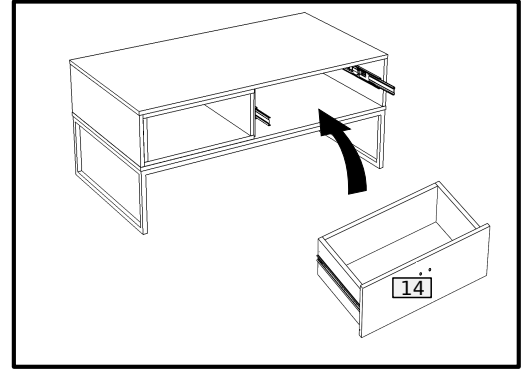
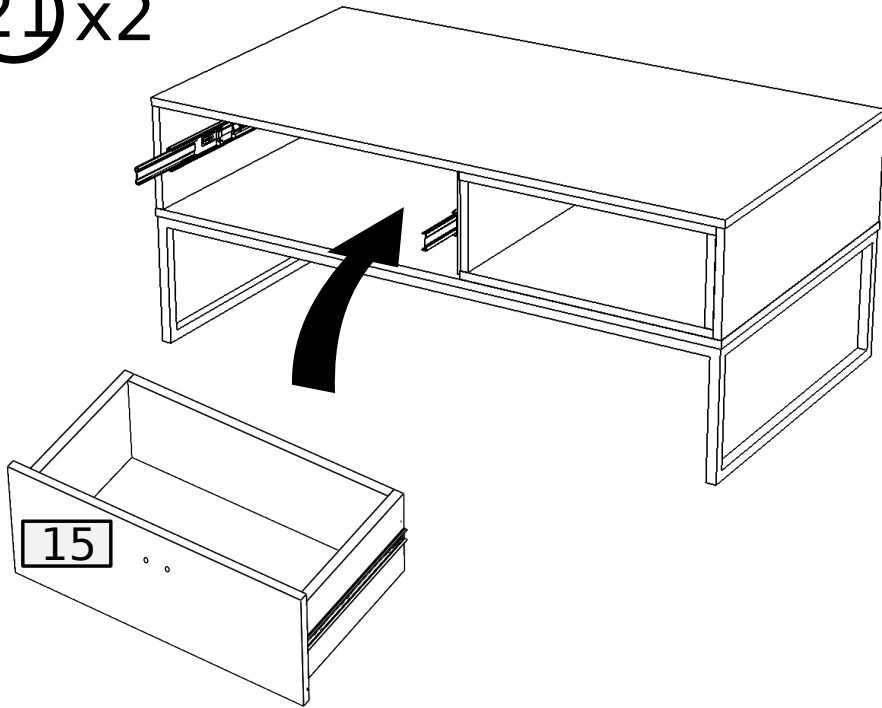
20 x2



2	4
	
PK 3.5x16	W2

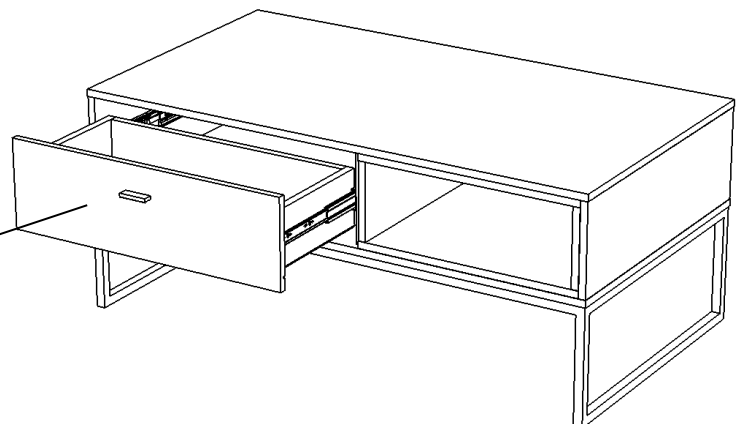
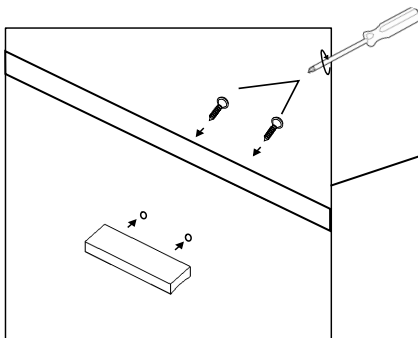


21 x 2



22 x 2

2	4
UO	3.5x25 W10



23

