
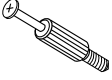
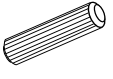



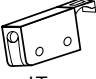
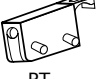

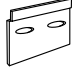
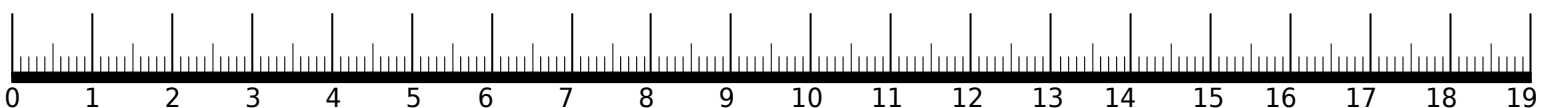
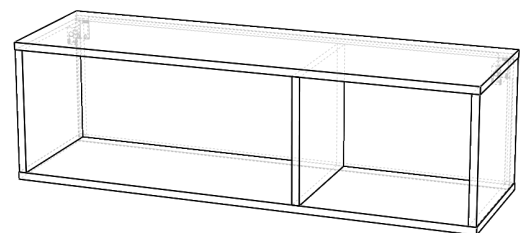
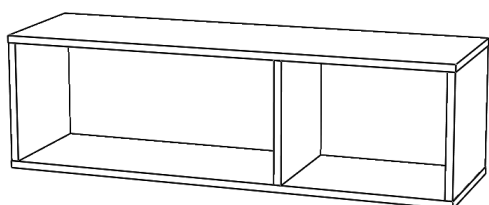
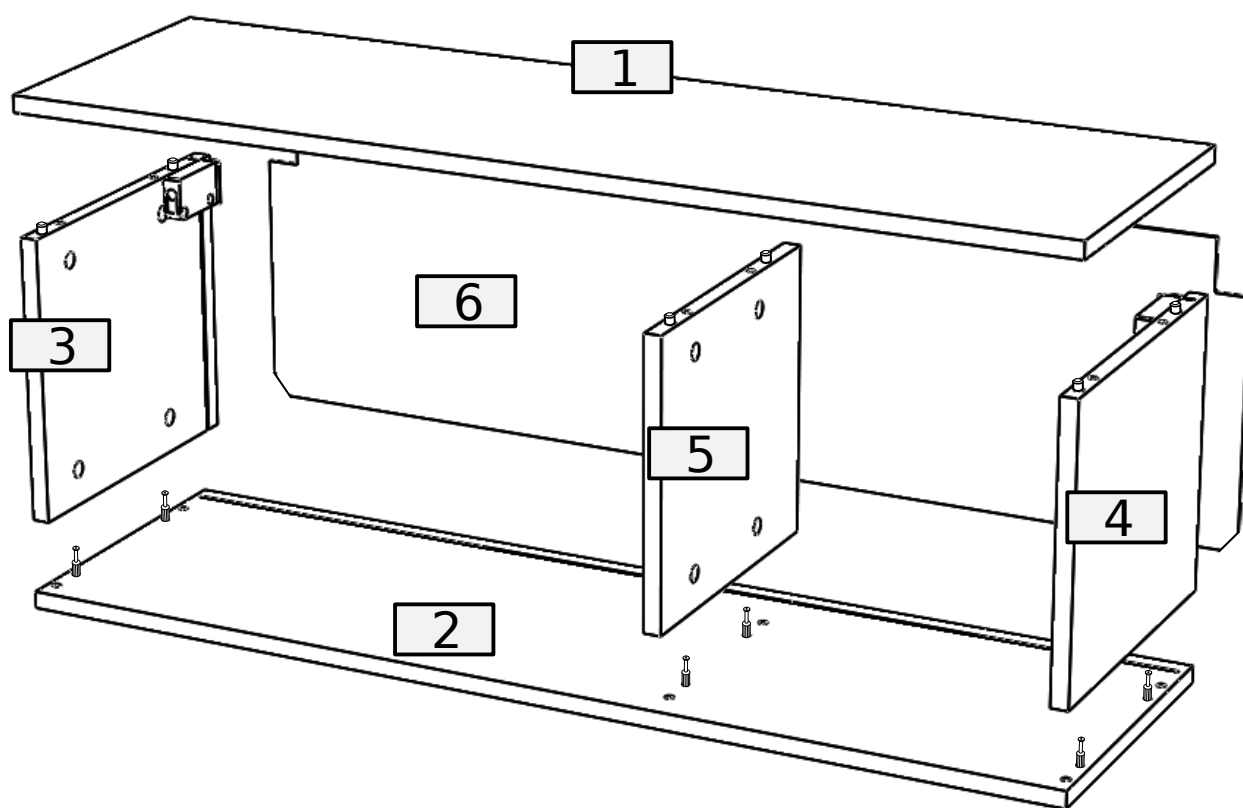


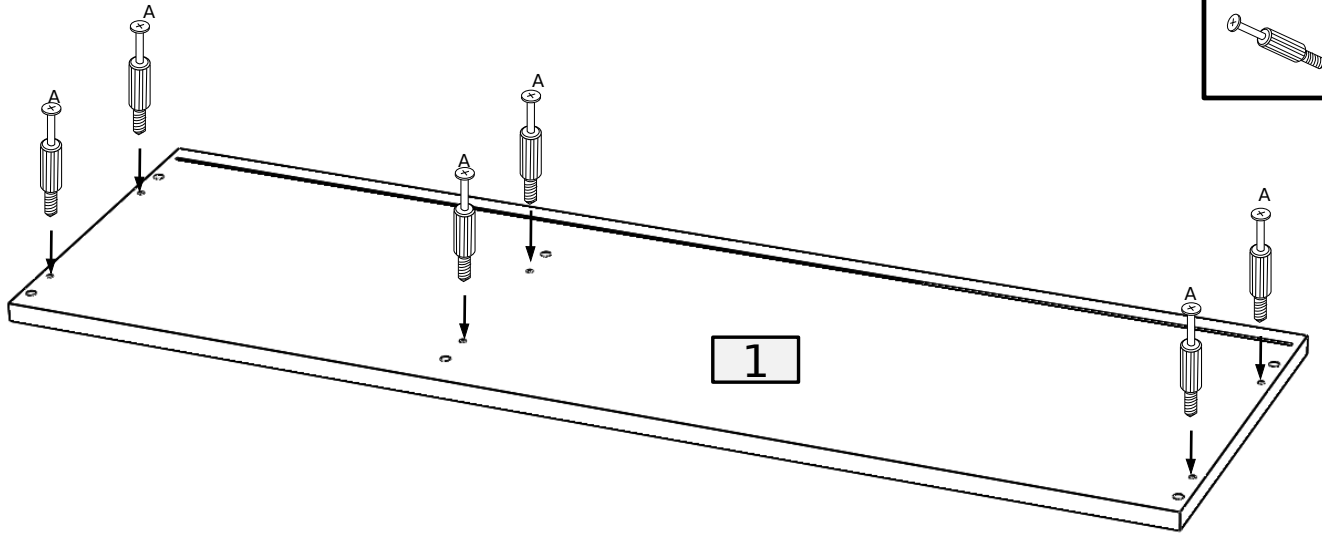
12	12	12	3	8
 B	 A	 8.0x35 D	 G	 I
 X	 LT W	 RT W	 4.0x30 W8	 WI
12	1	1	4	2



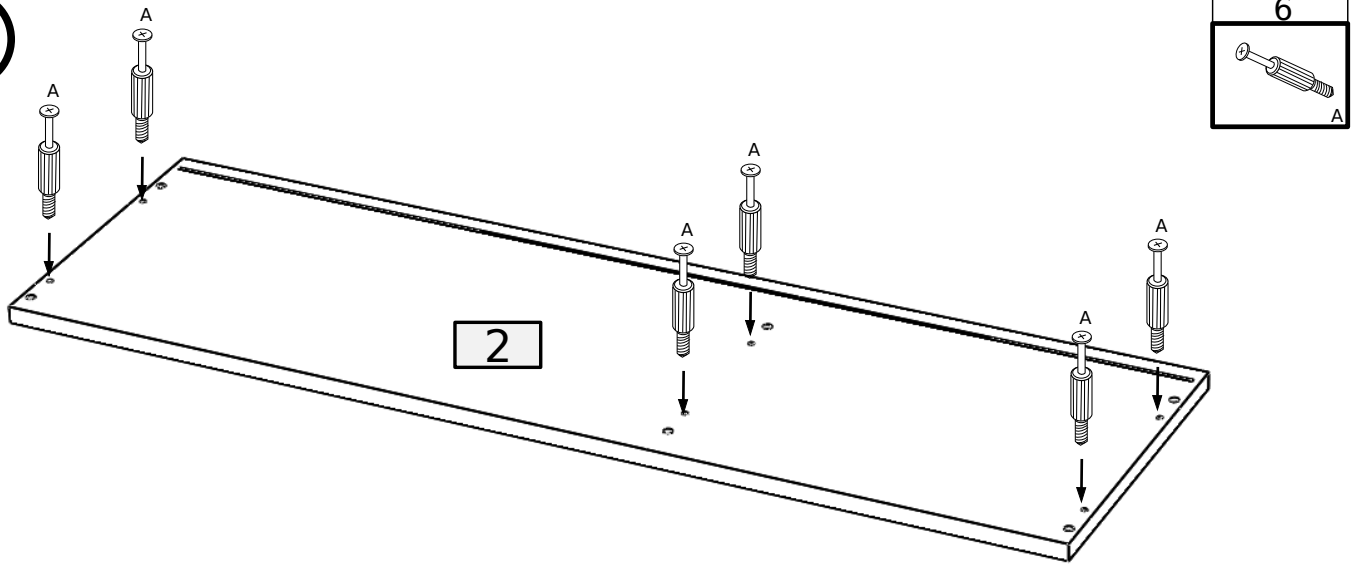


No.	Pcs.	L	W	D	Pac
1	1	1000	300	16	1/1
2	1	1000	300	16	1/1
3	1	299	268	16	1/1
4	1	299	268	16	1/1
5	1	280	268	16	1/1
6	1	980	282	3	1/1

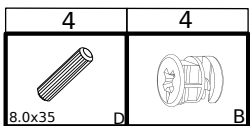
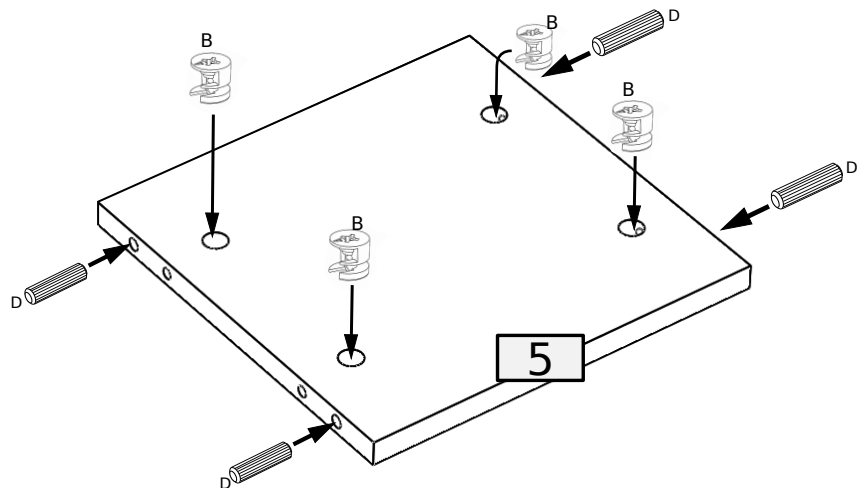
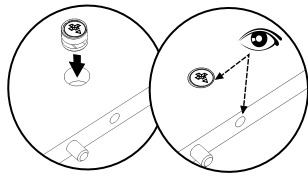
①



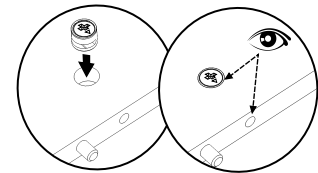
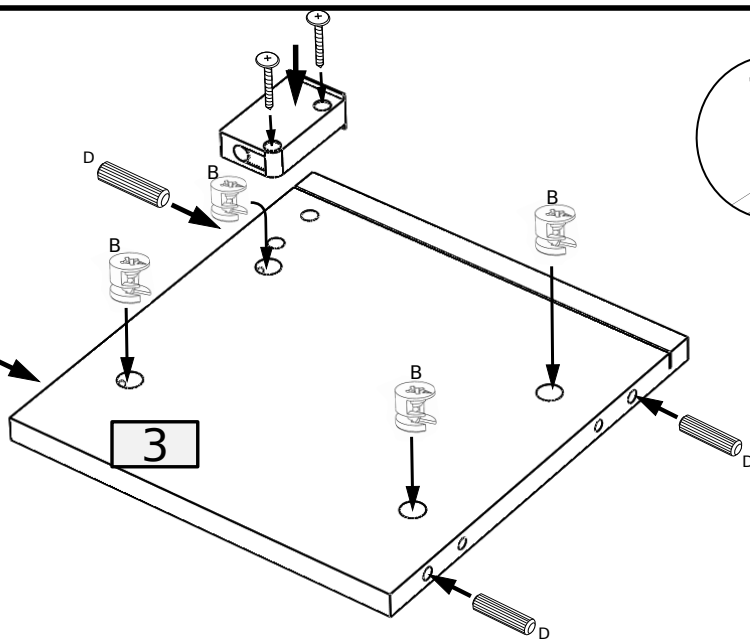
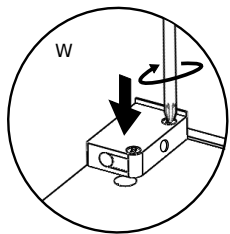
②



③

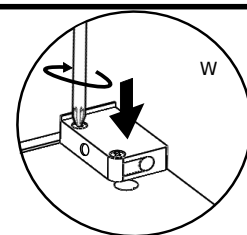
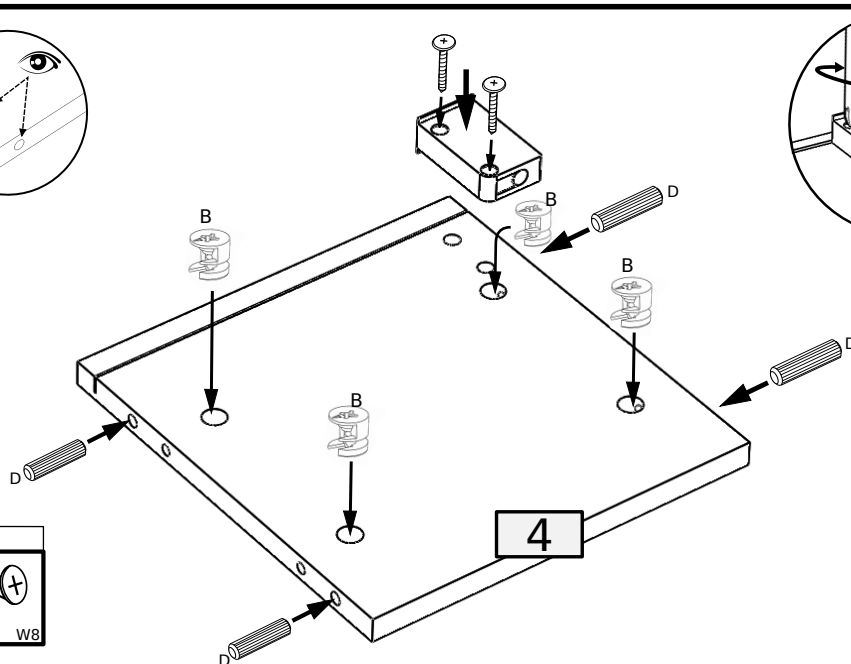
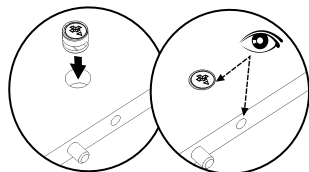


4



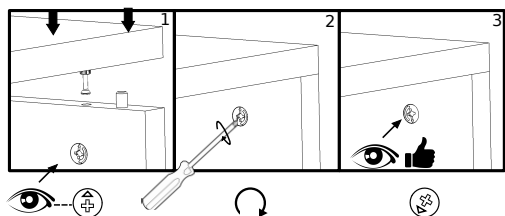
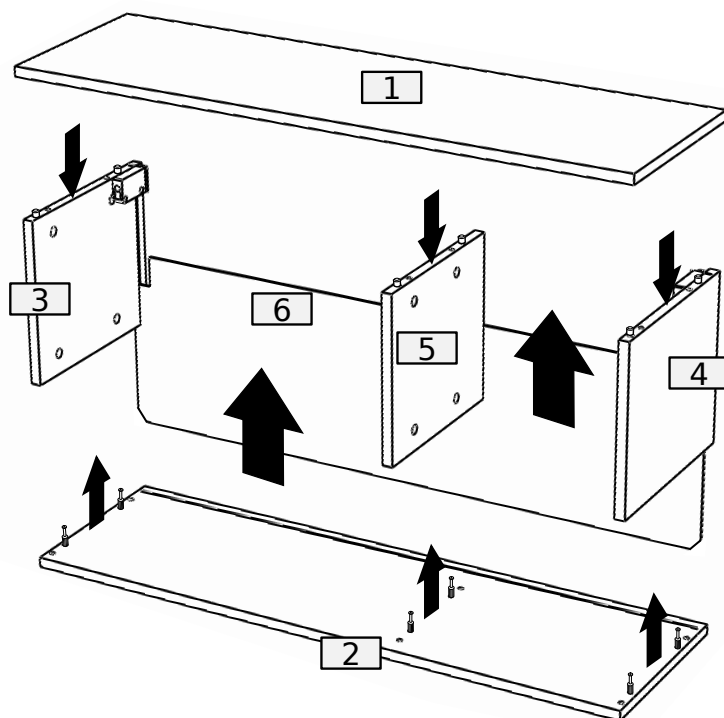
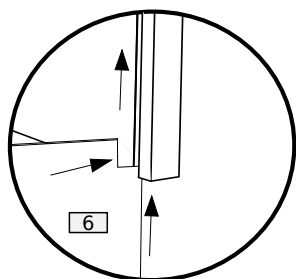
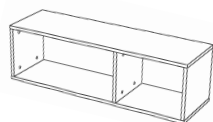
4	4	1	2
8.0x35 D	B	W	4.0x30 W8

5





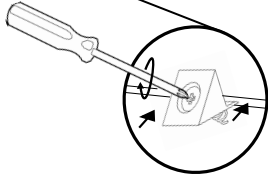
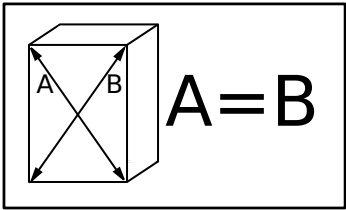
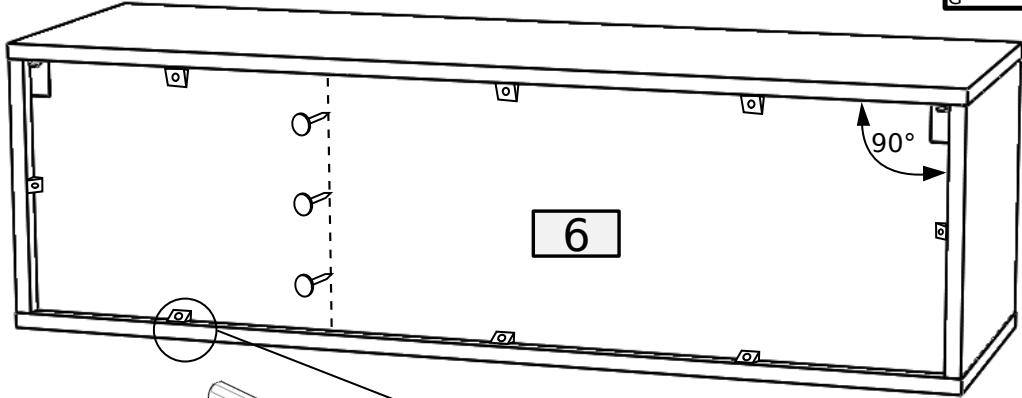
4	4	1	2
8.0x35 D	B	W	4.0x30 W8

6

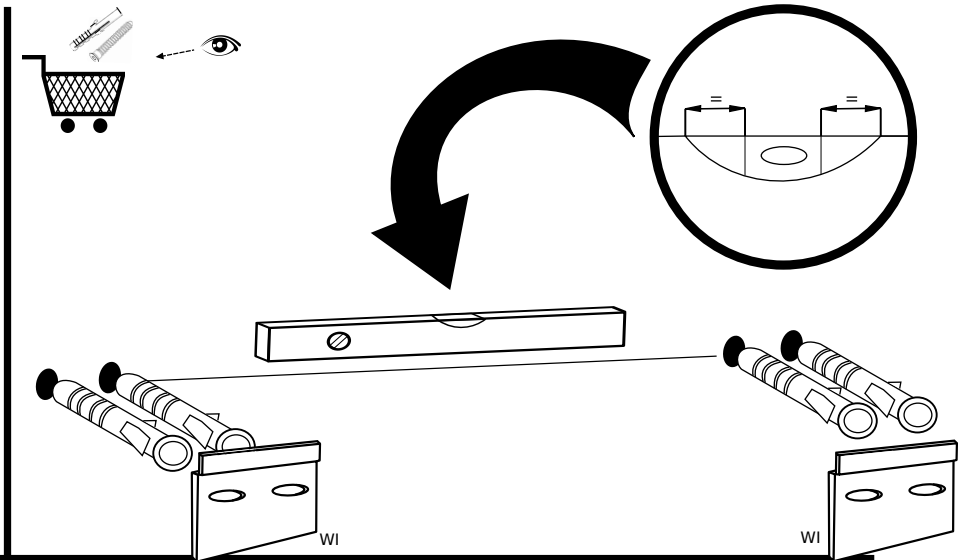
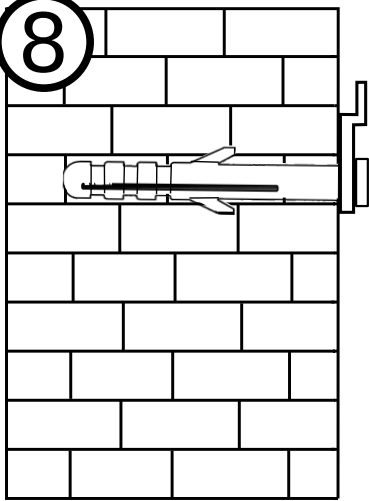


7

3	8
	
G	I



8



9

