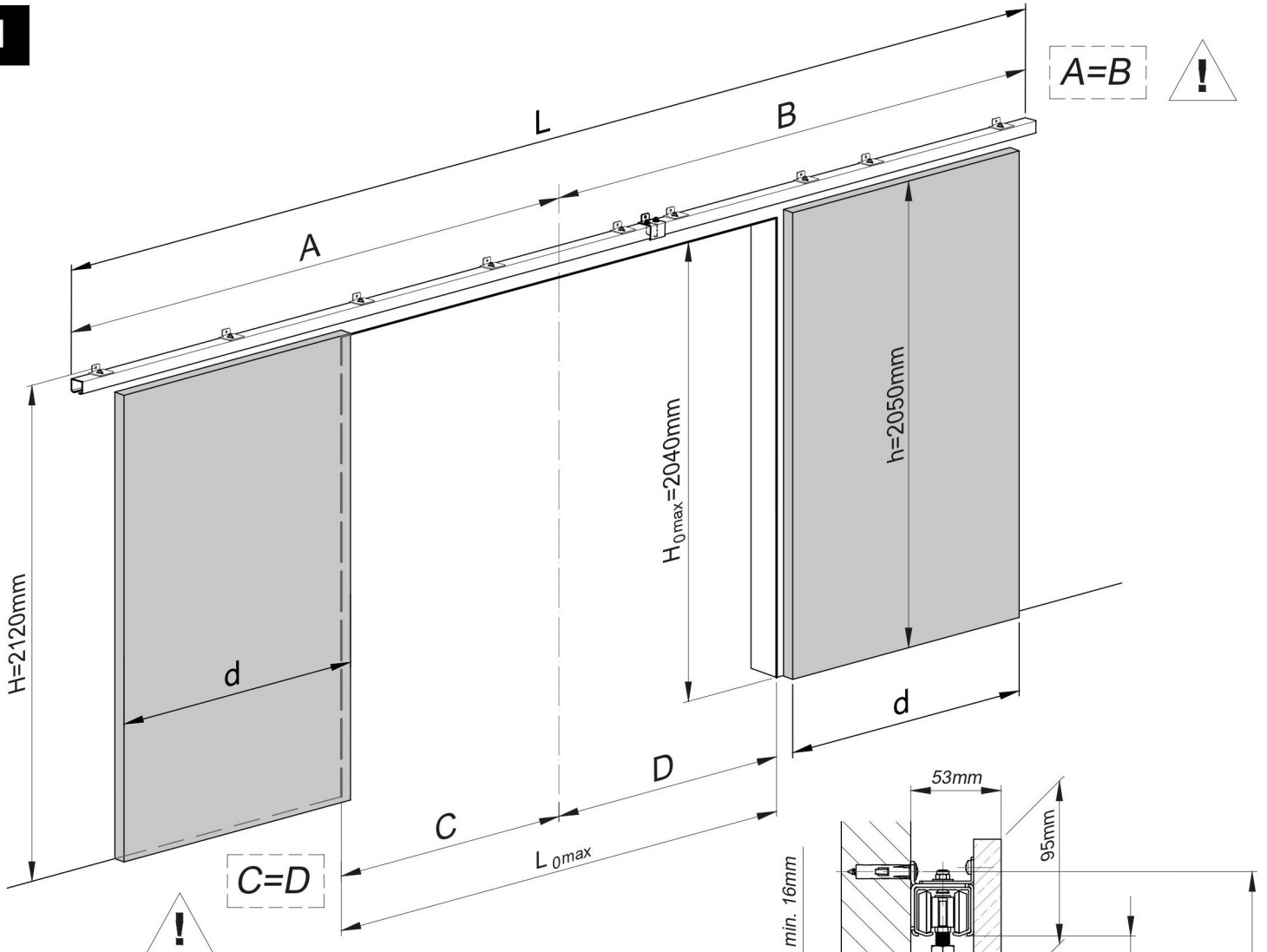
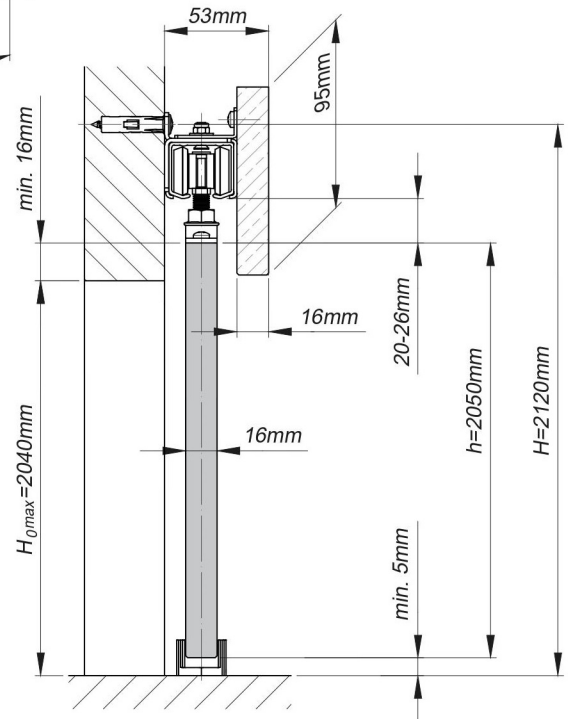
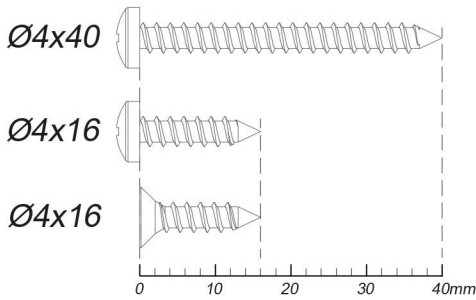
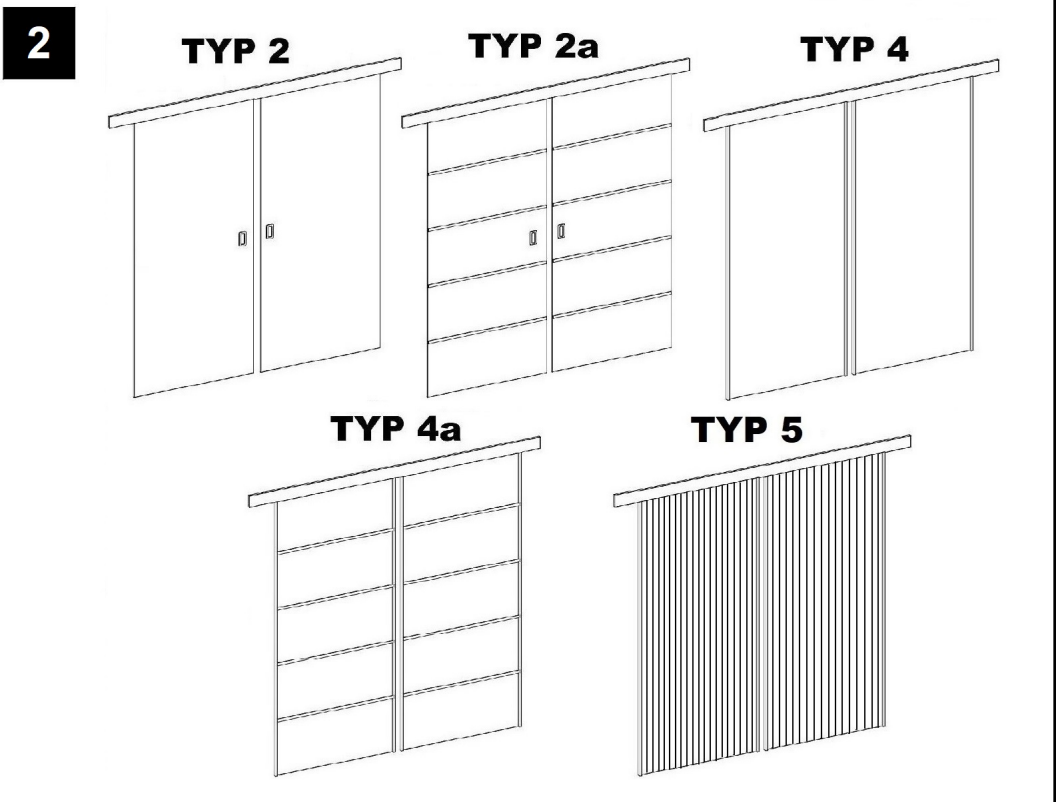


**1**



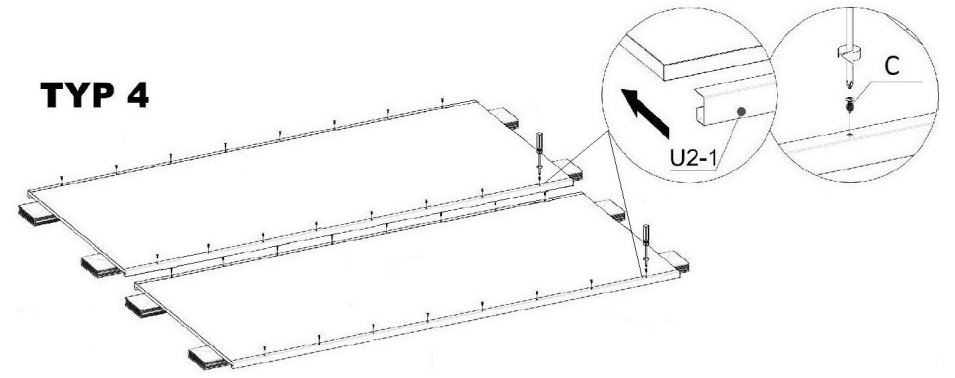
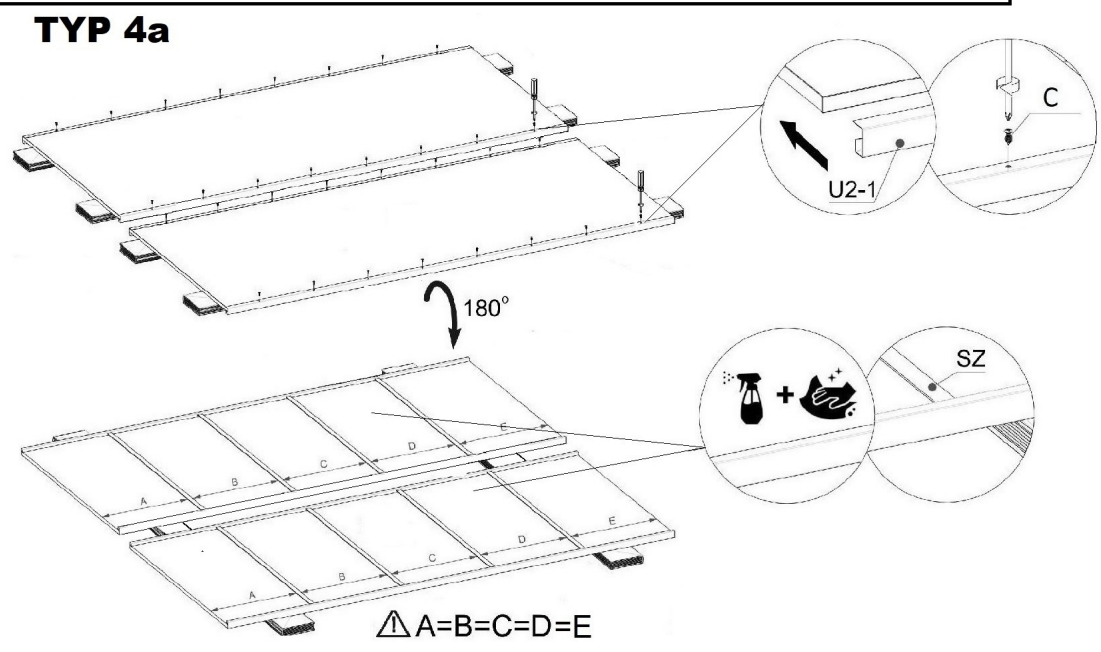
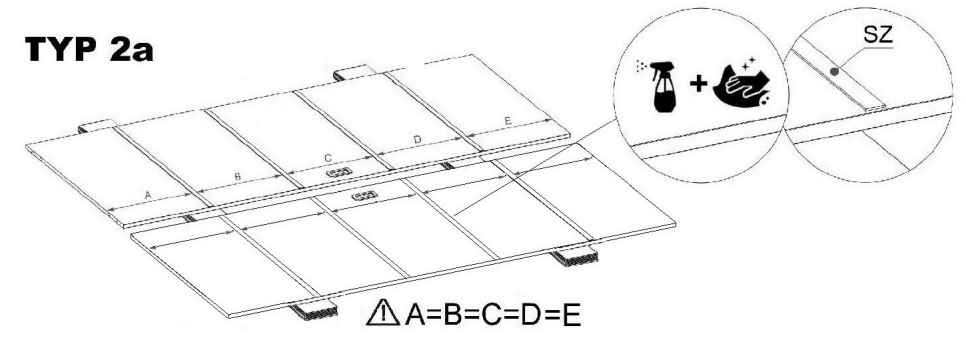
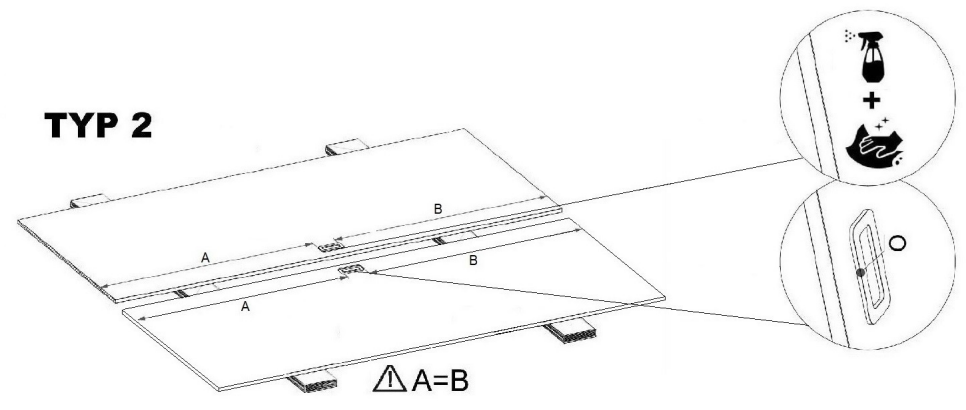
L [mm]	2570	2970	3370	4000	
d [mm] x2	660 "120"	760 "140"	860 "160"	960 "180"	1060 "200"
L <sub>0max</sub> [mm]	1260	1460	1660	1860	2060





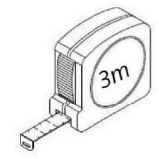
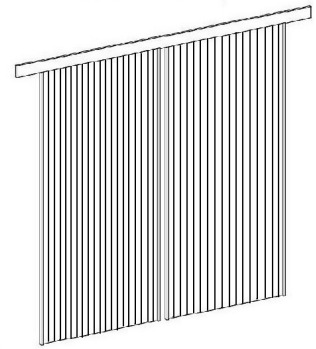
**2a**

O	TYP 2 TYP 2a	U2	TYP 4 TYP 4a	SZ	TYP 4a TYP 2a
2	4kpl	U2-1 x1	Cx8	8	

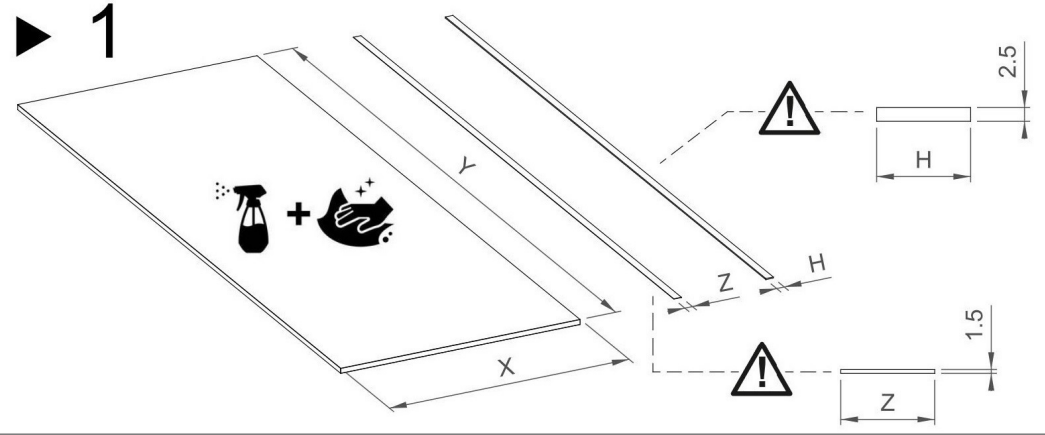


2b

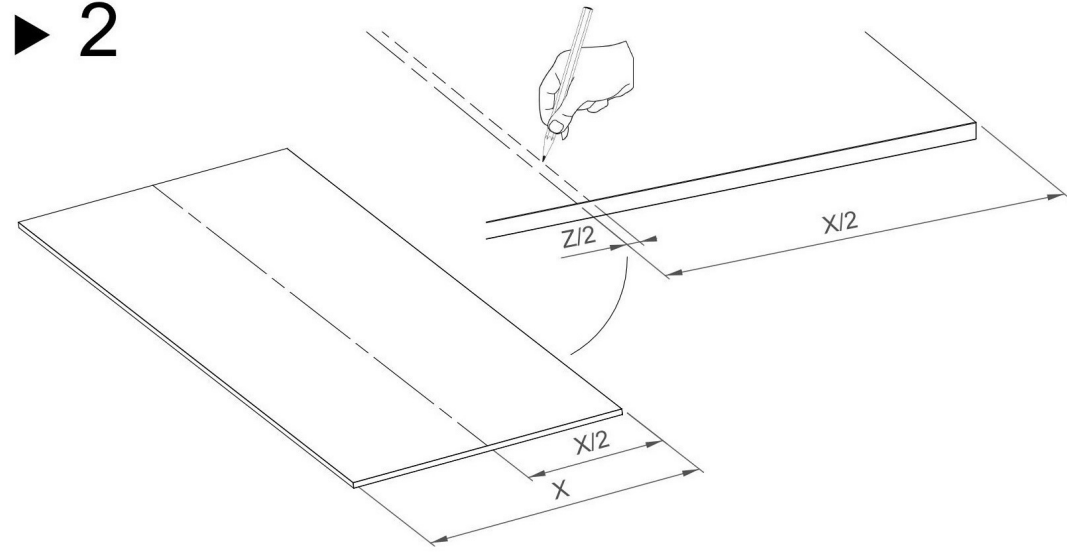
TYP 5



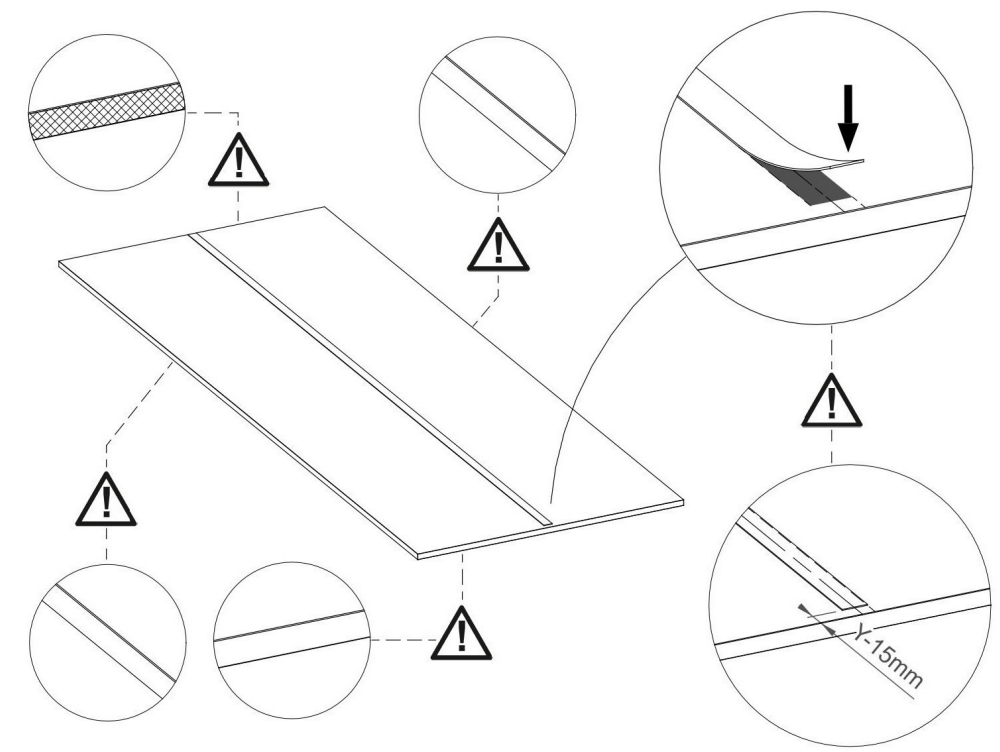
▶ 1



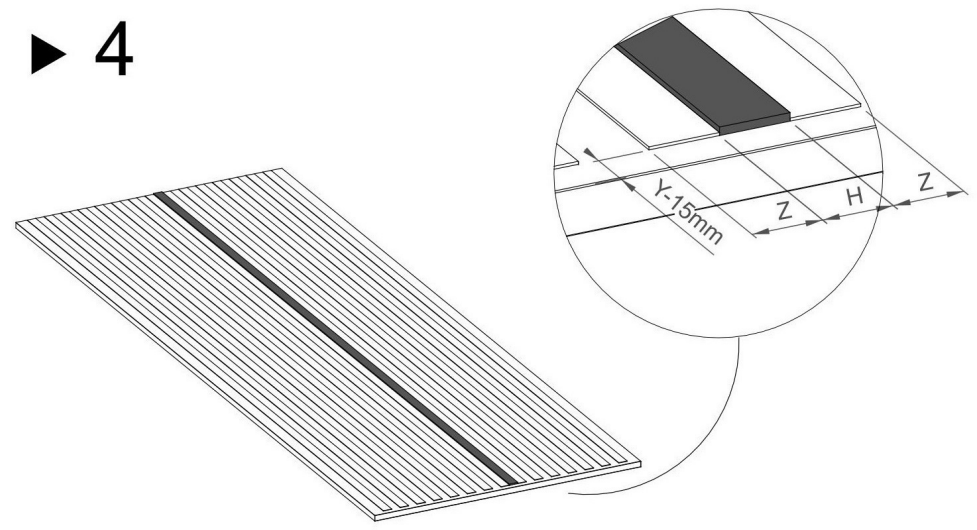
▶ 2



▶ 3



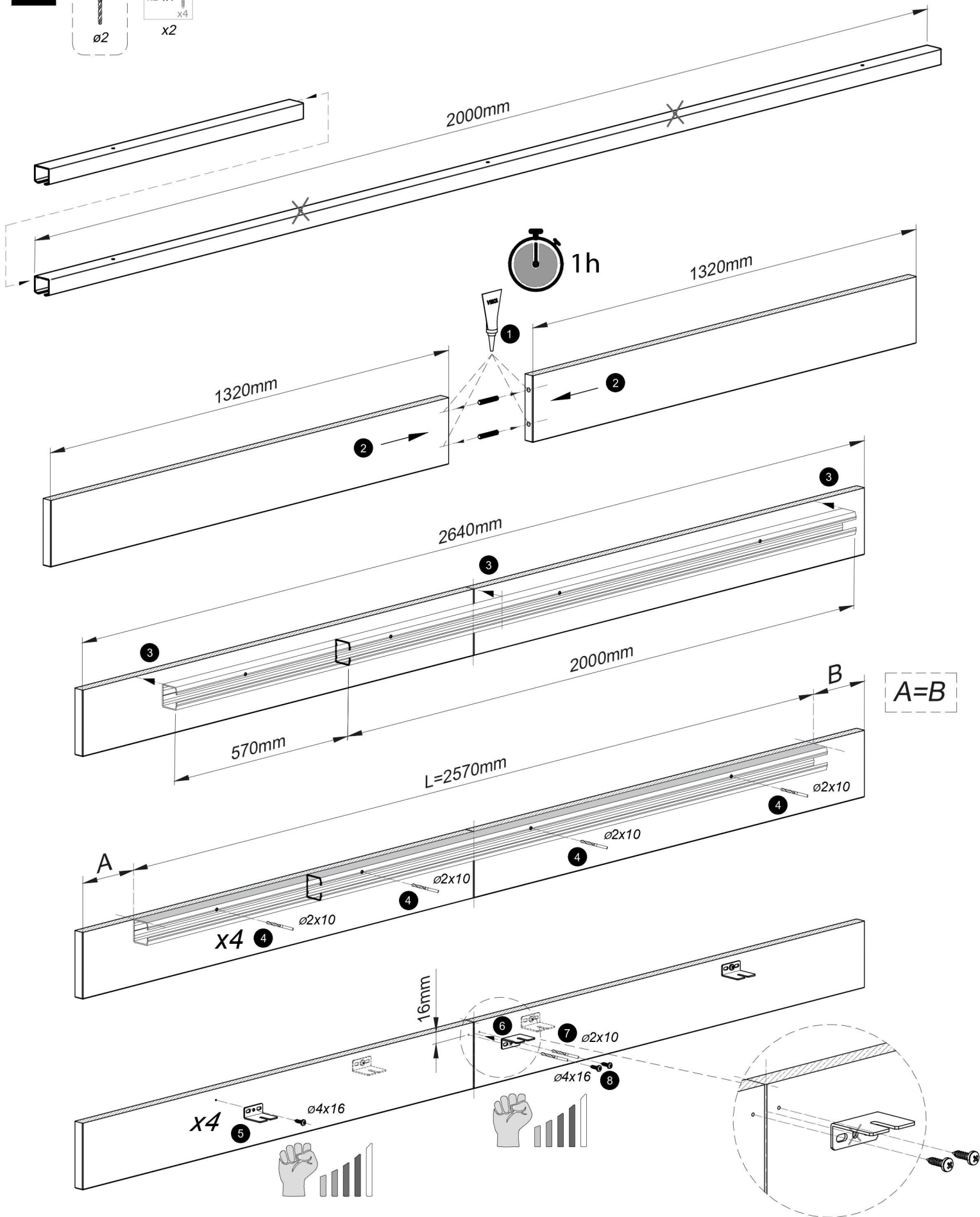
▶ 4



3a

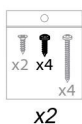


"120"

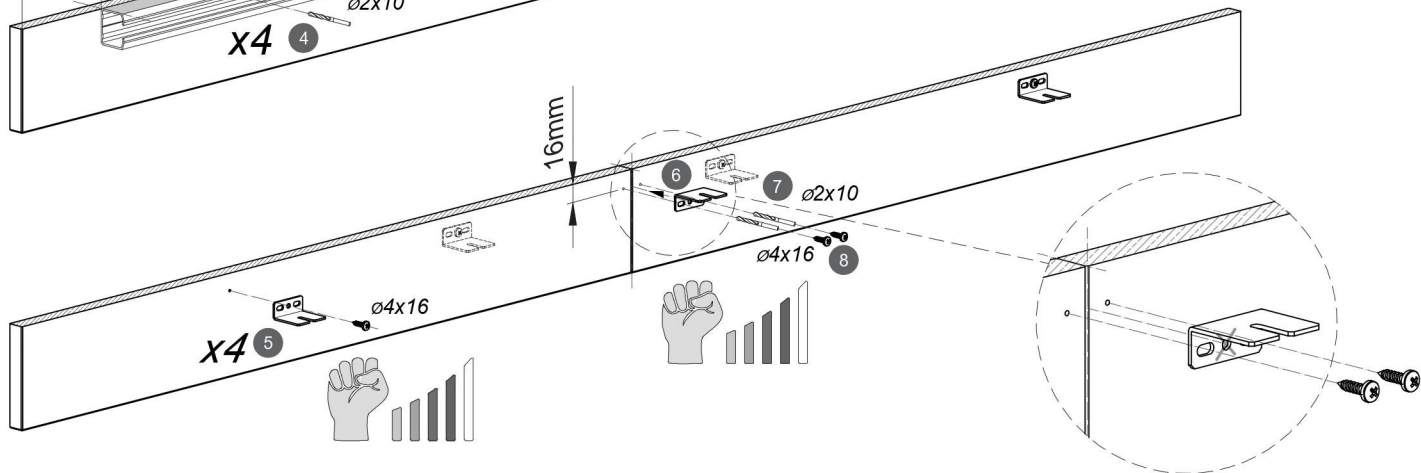
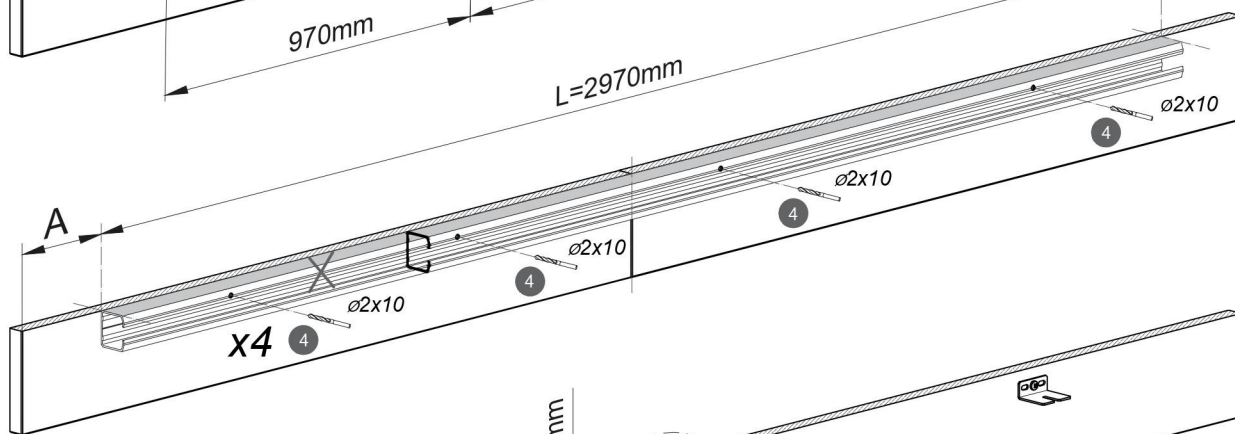
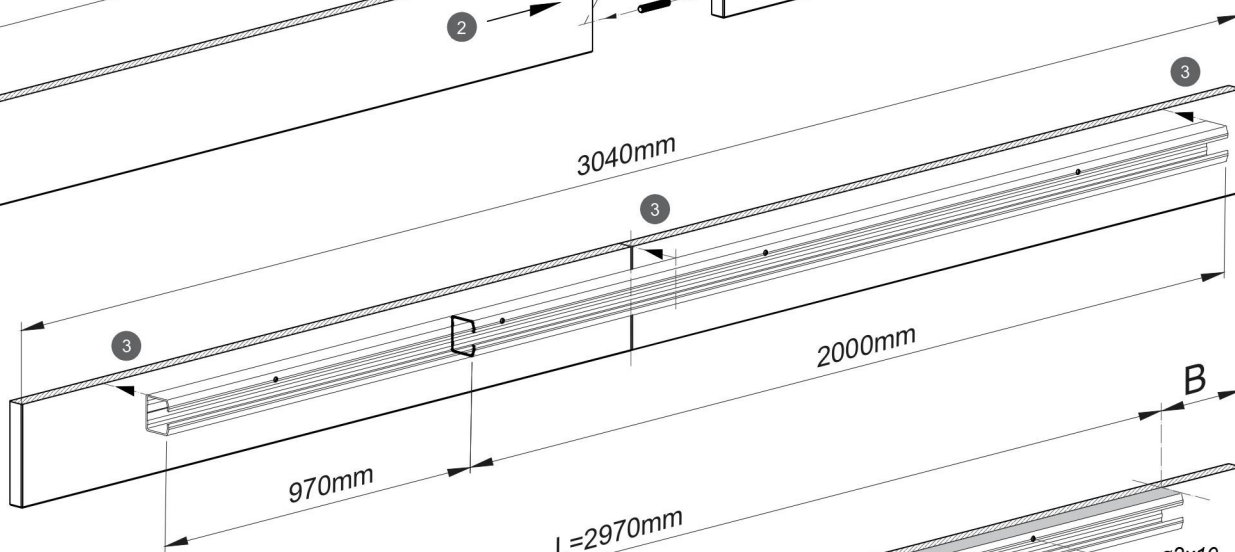
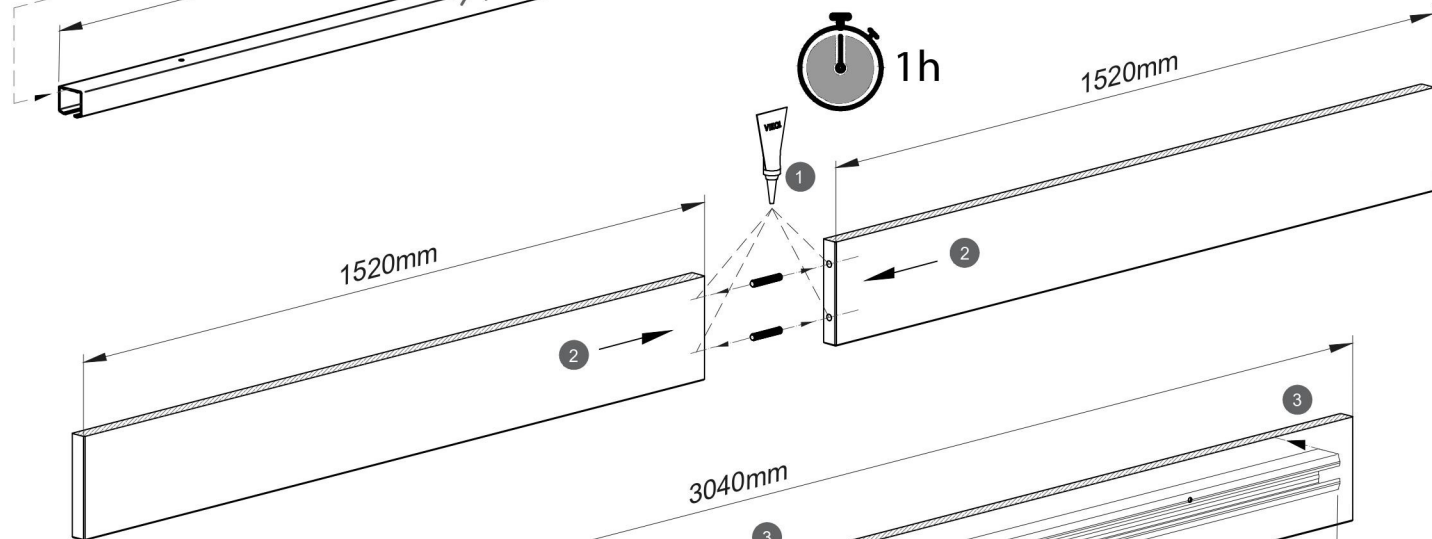
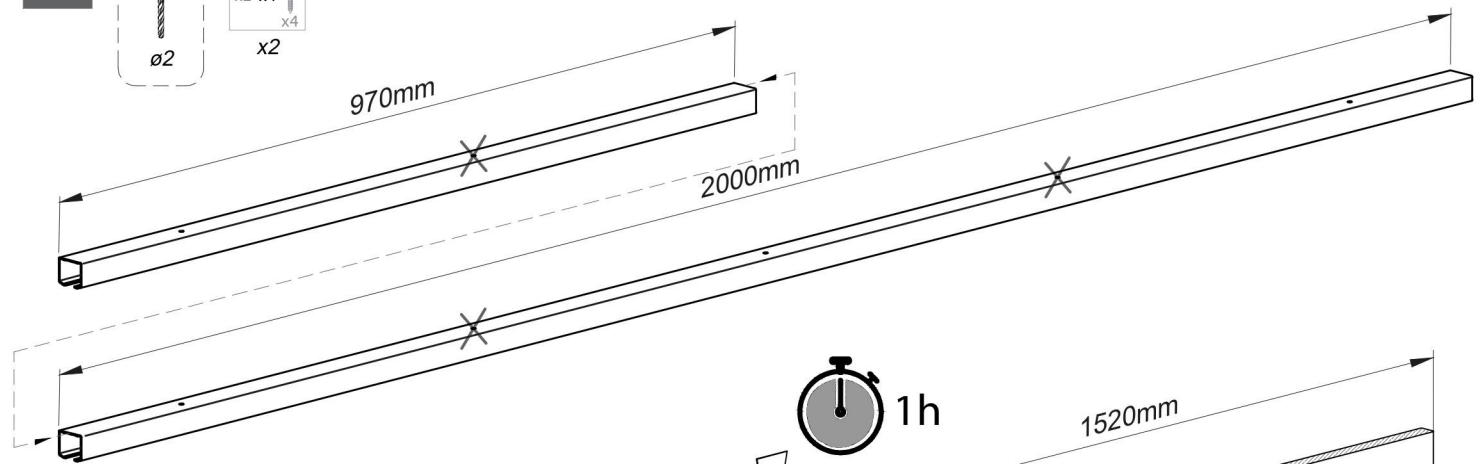


3b

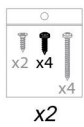
"140"



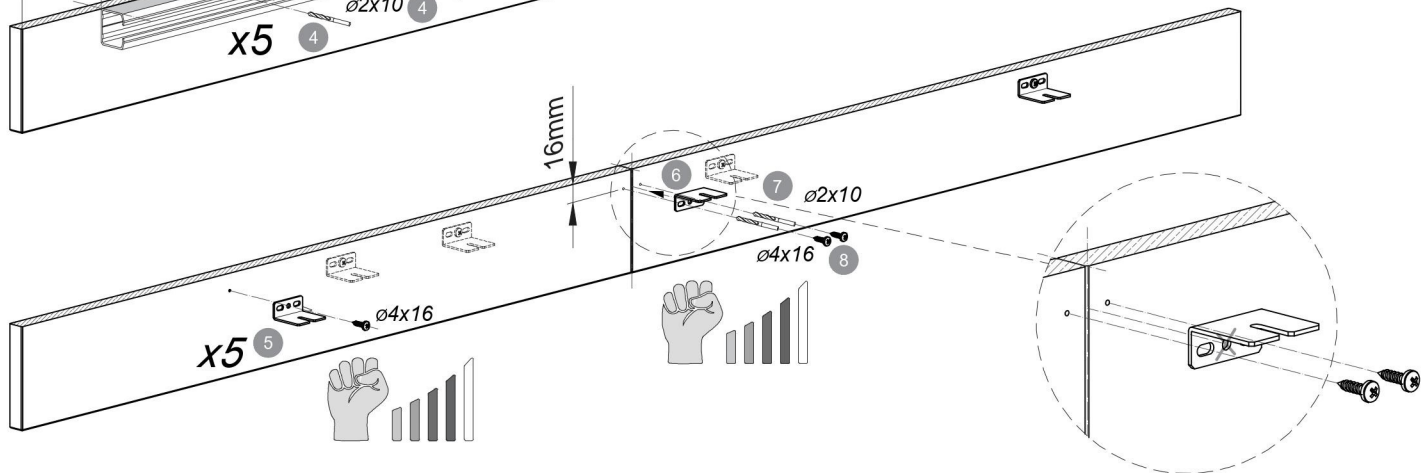
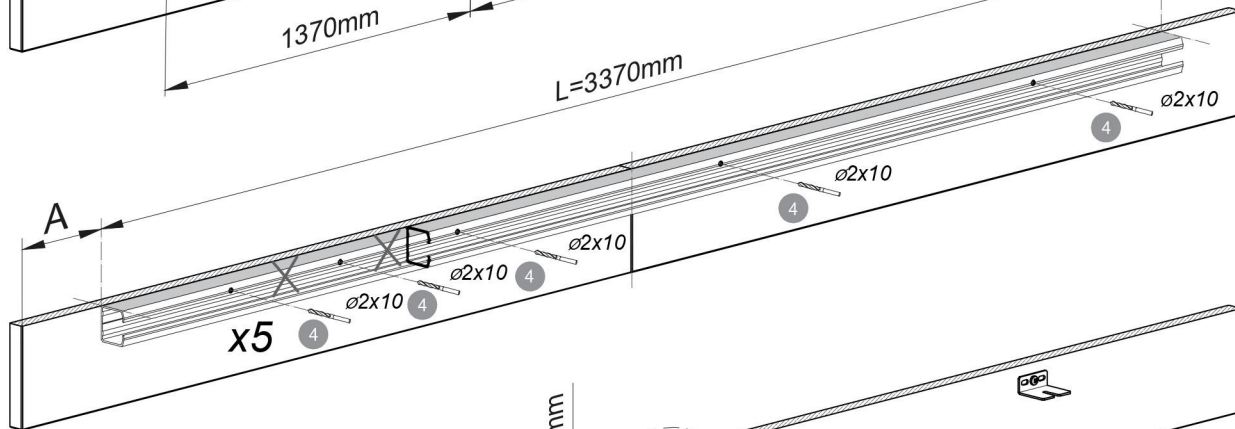
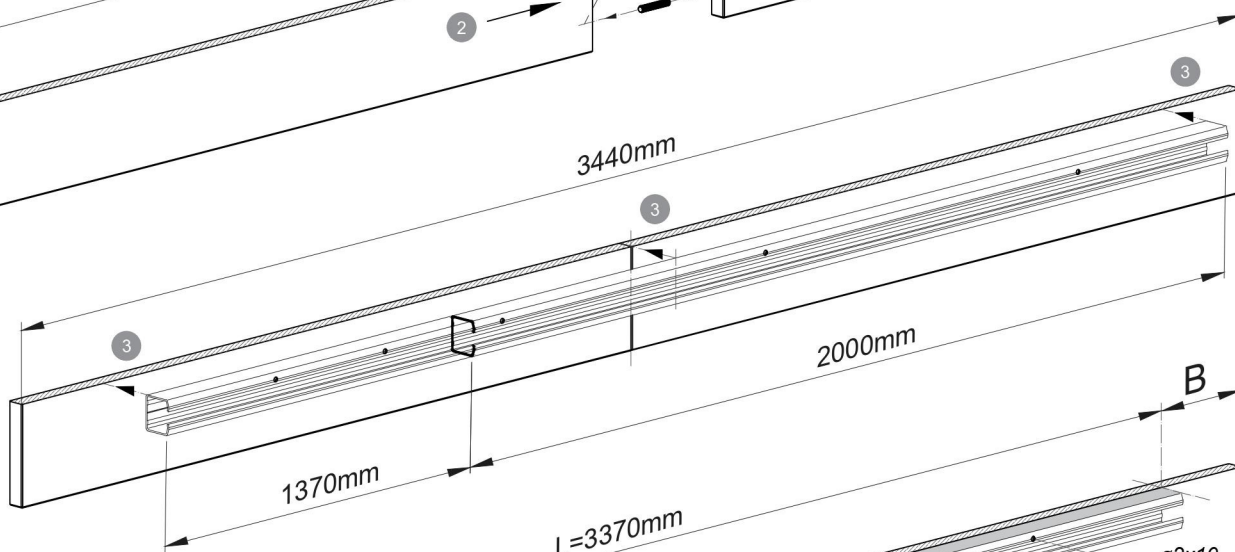
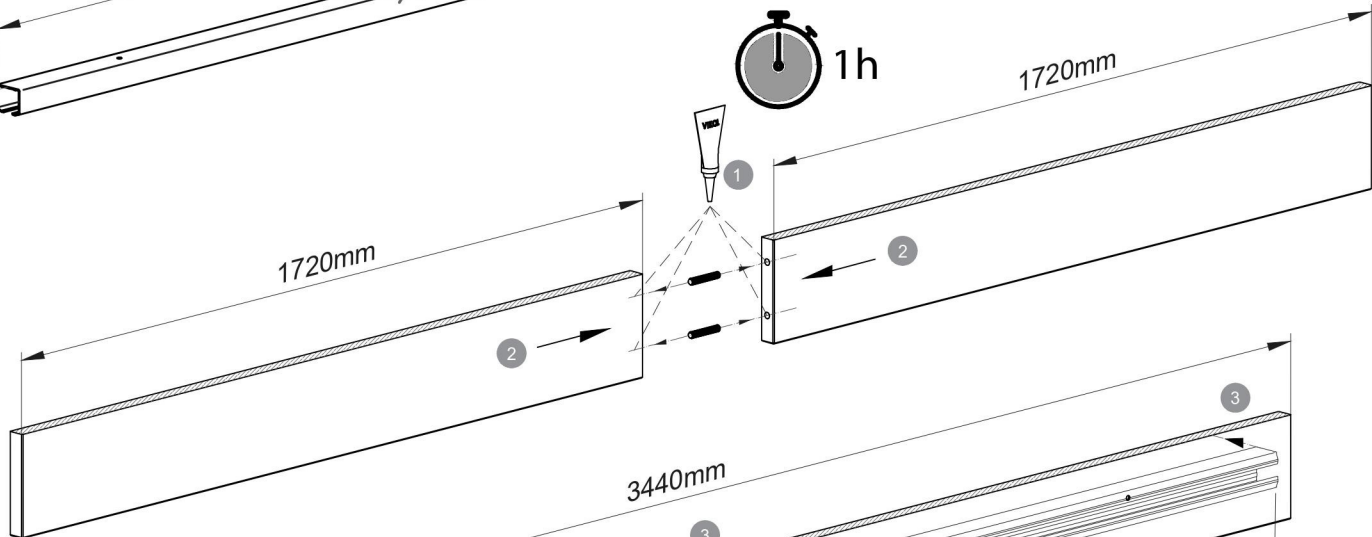
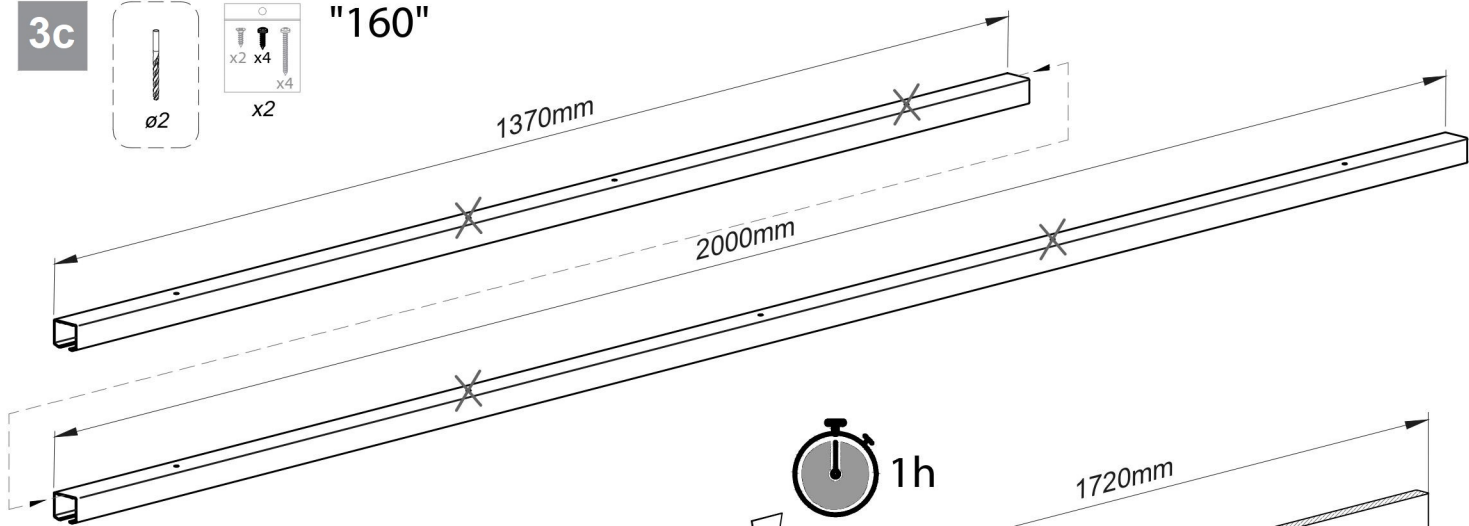
x2



3c



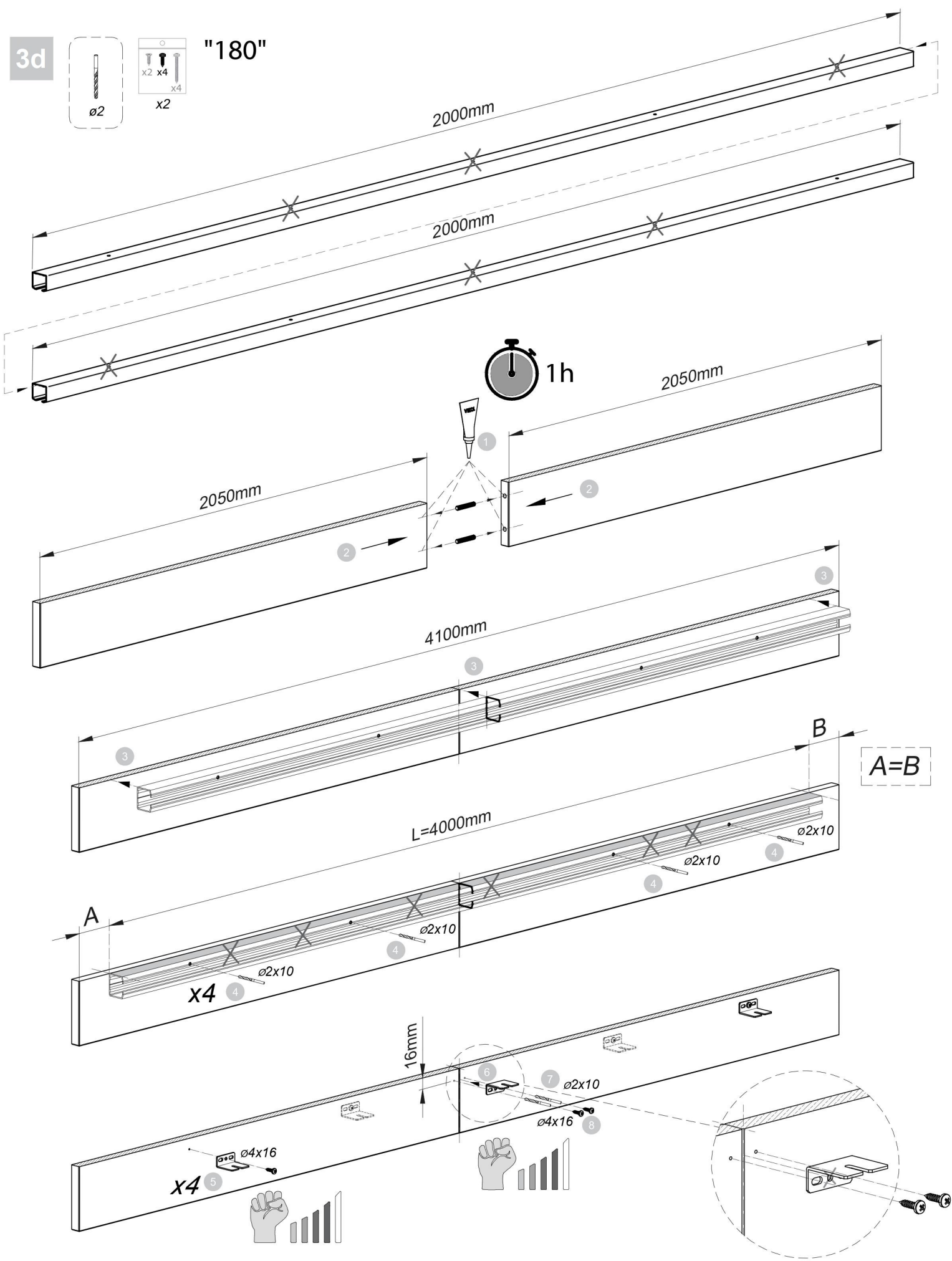
"160"



3d



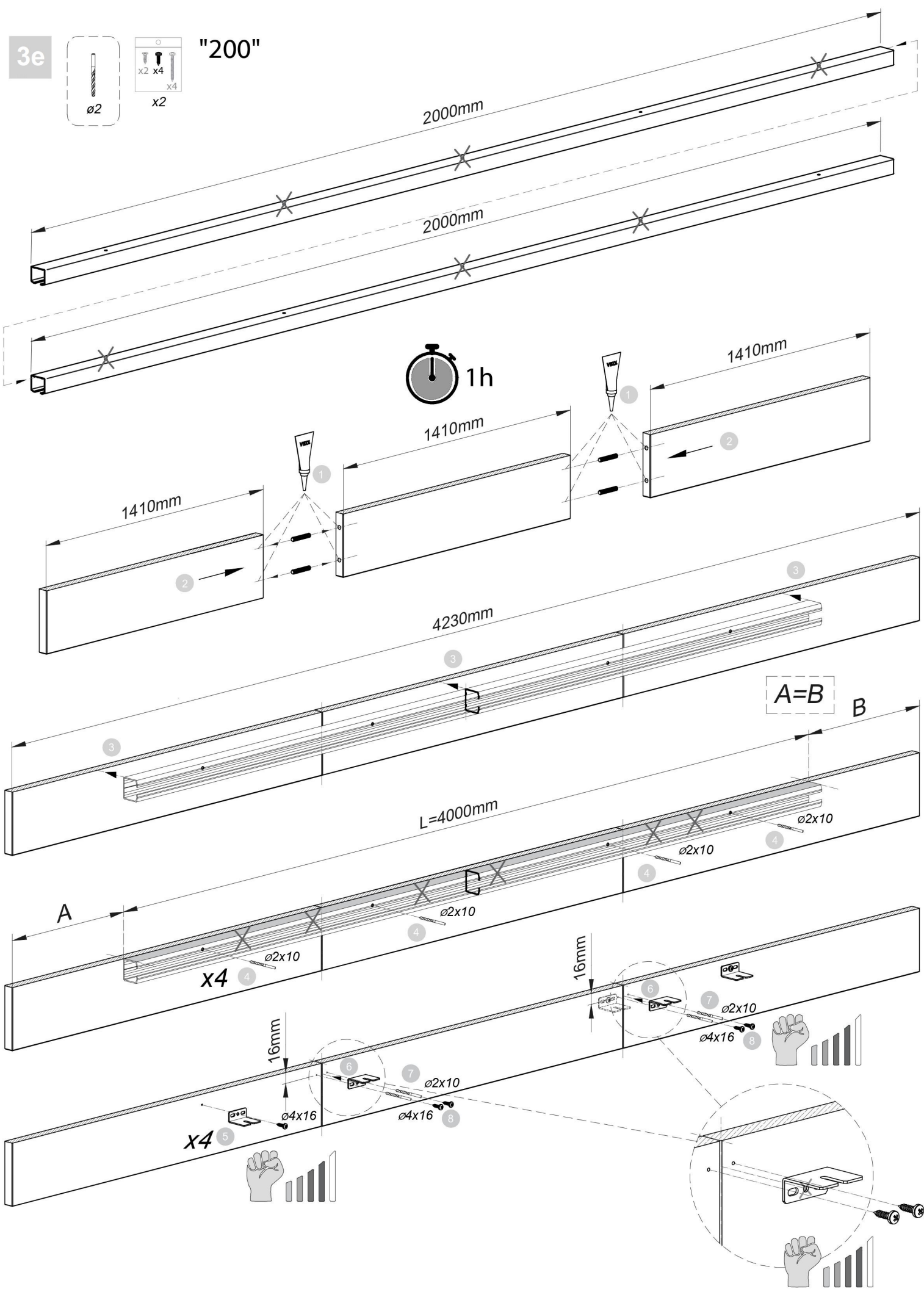
"180"



3e

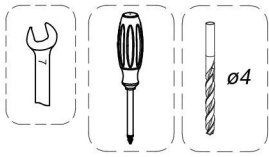


"200"





4a

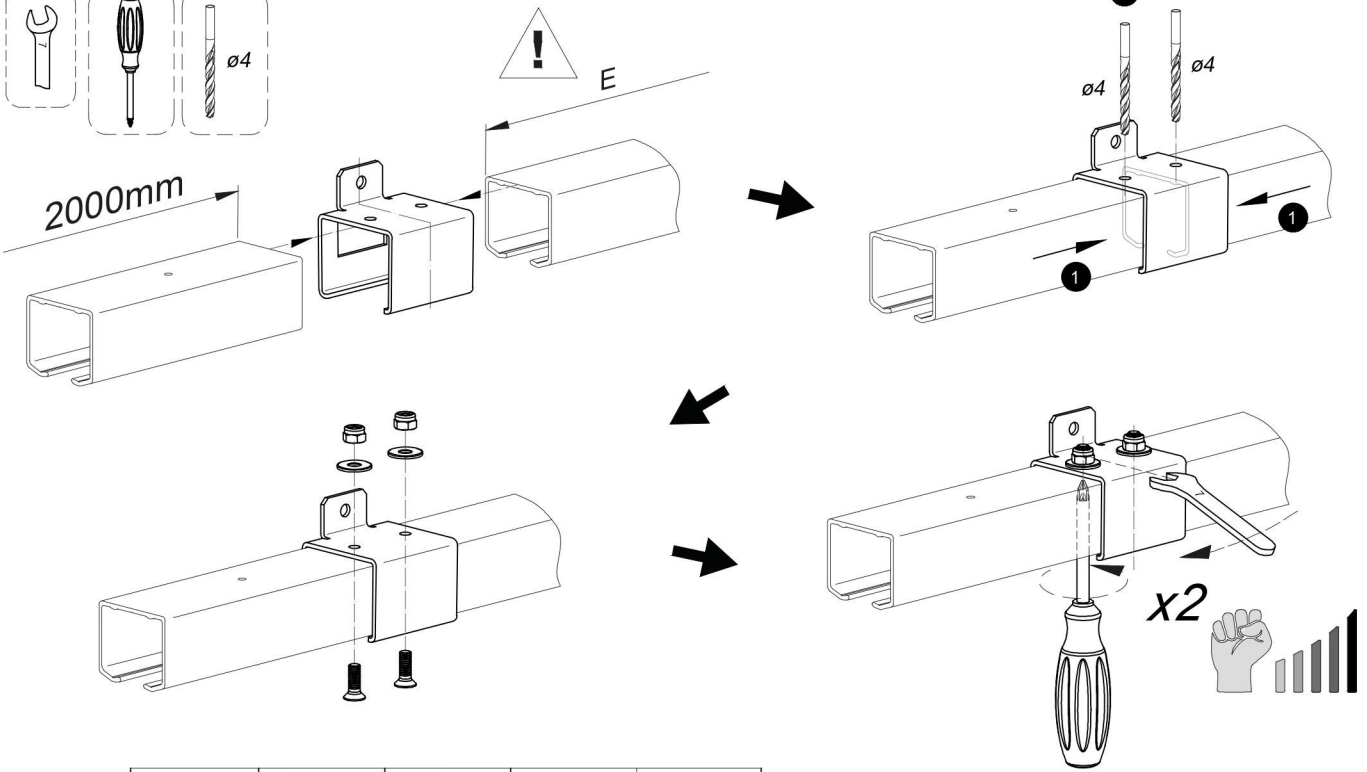


4b

4c

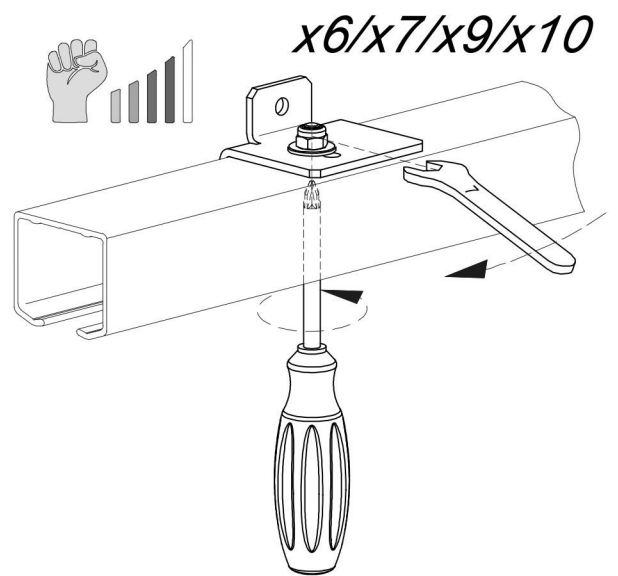
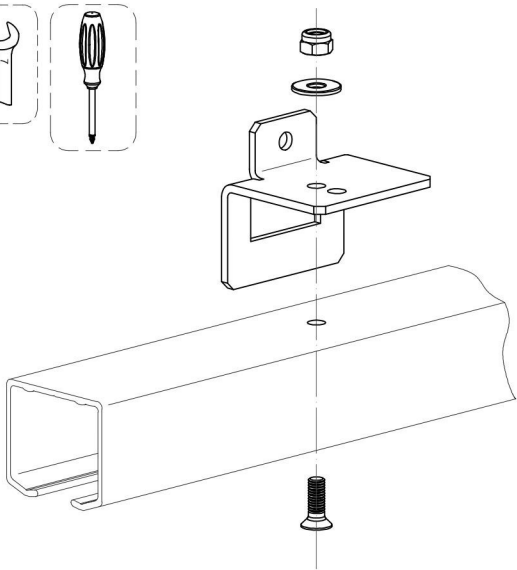
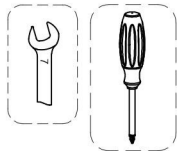
4d

4e

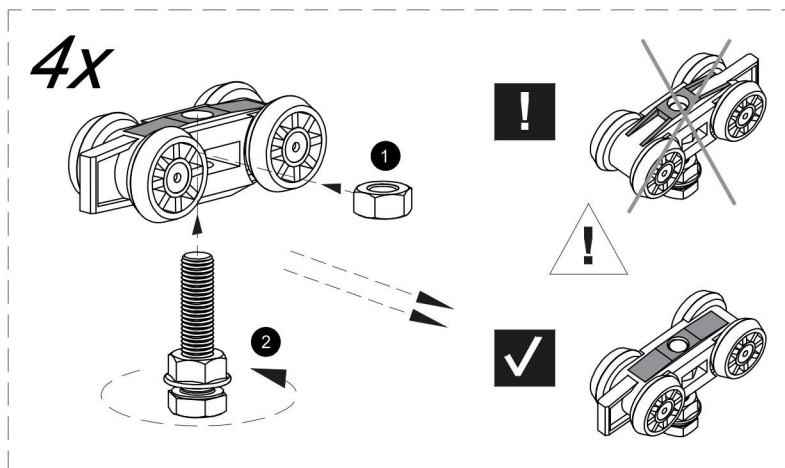


	"120"	"140"	"160"	"180"	"200"
E [mm]	570	970	1370	2000	

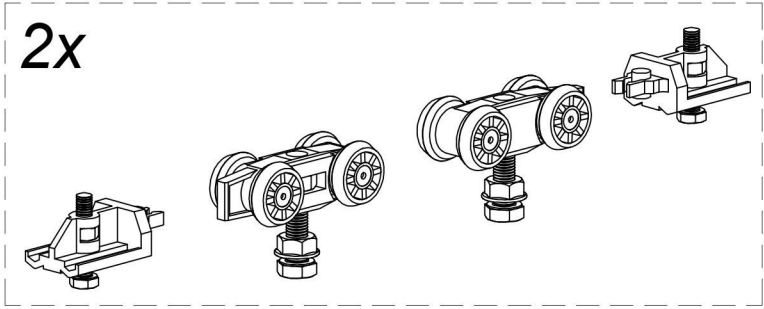
5



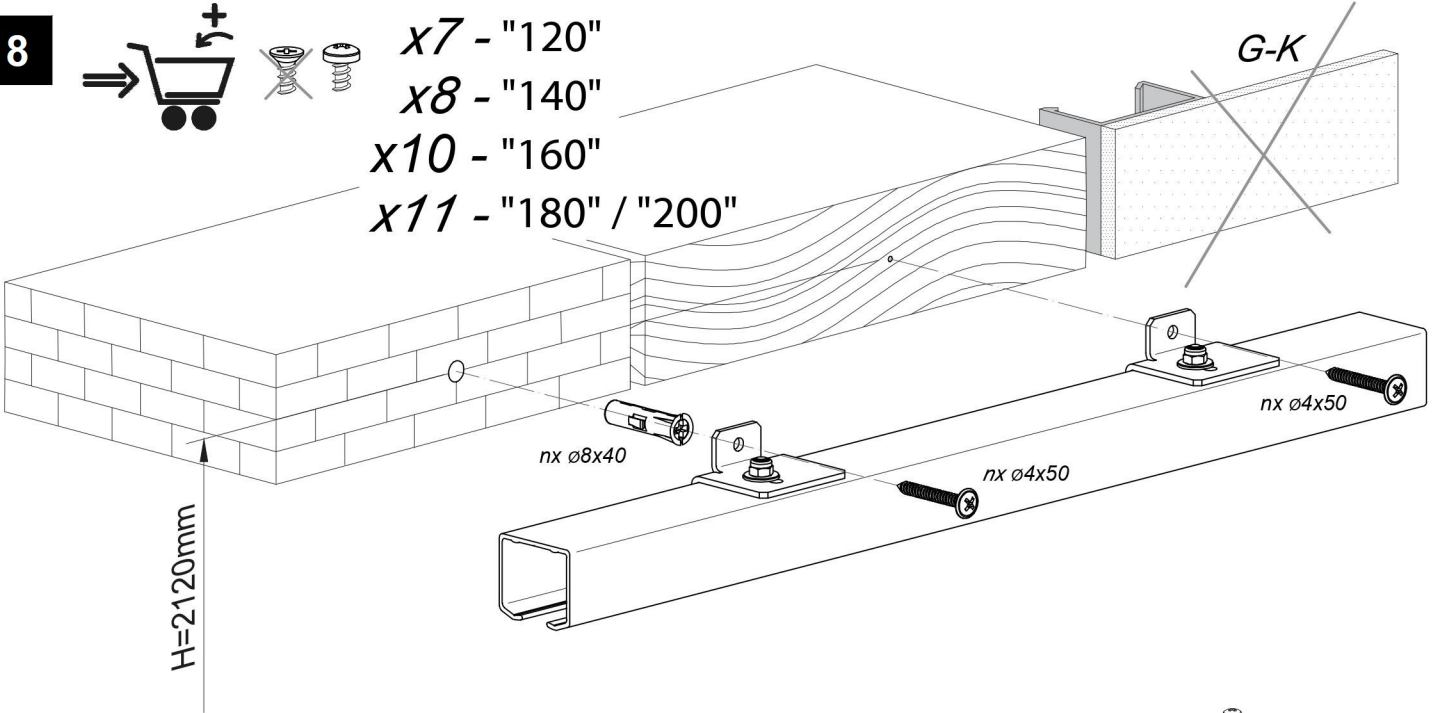
6



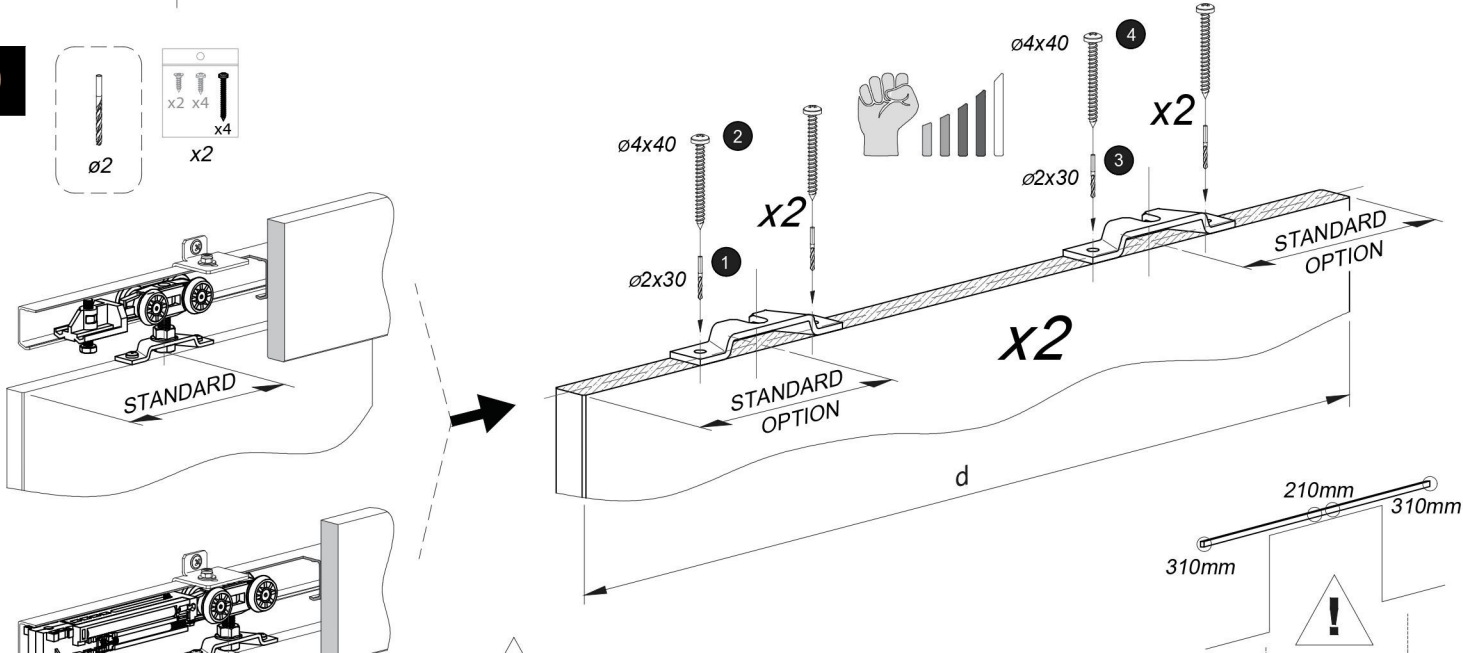
7



8

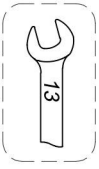


9

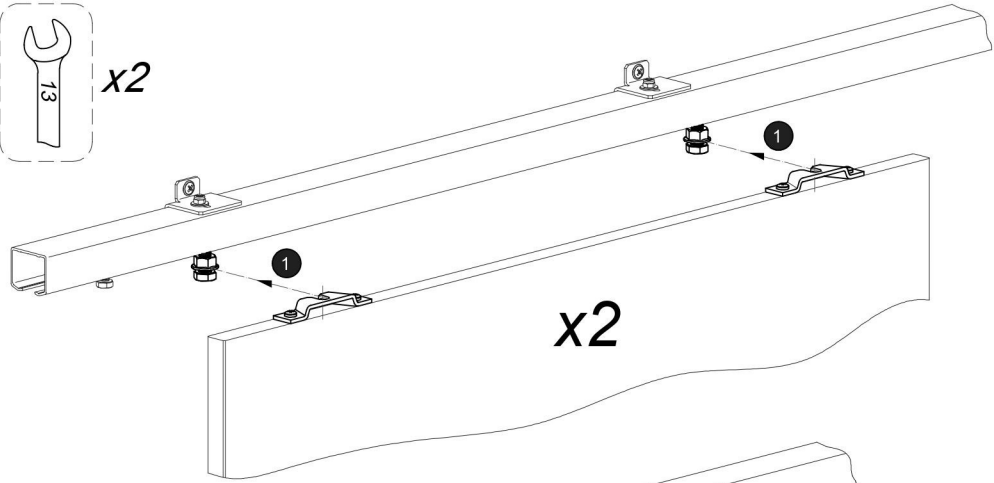


	$d$ [mm]	660 "120"	760 "140"	860 "160"	960 "180"	1060 "200"
STANDARD [mm]			100			160
OPTION [mm]			180			210/310

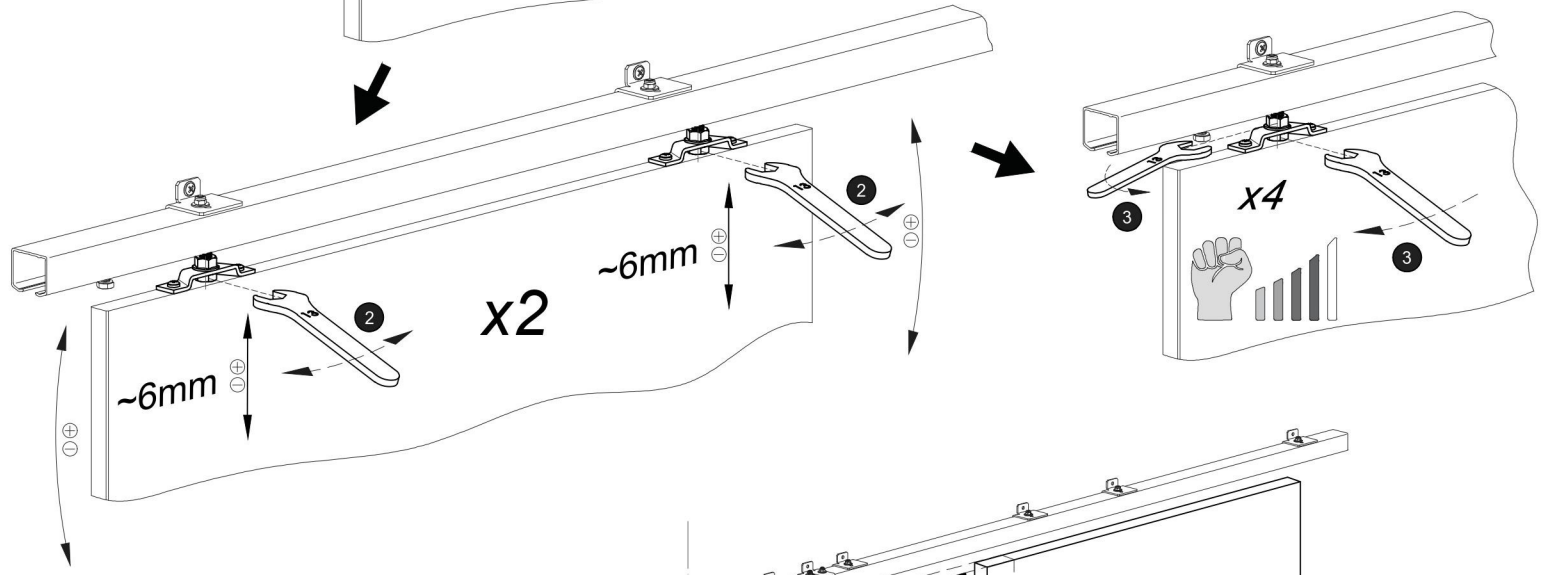
10



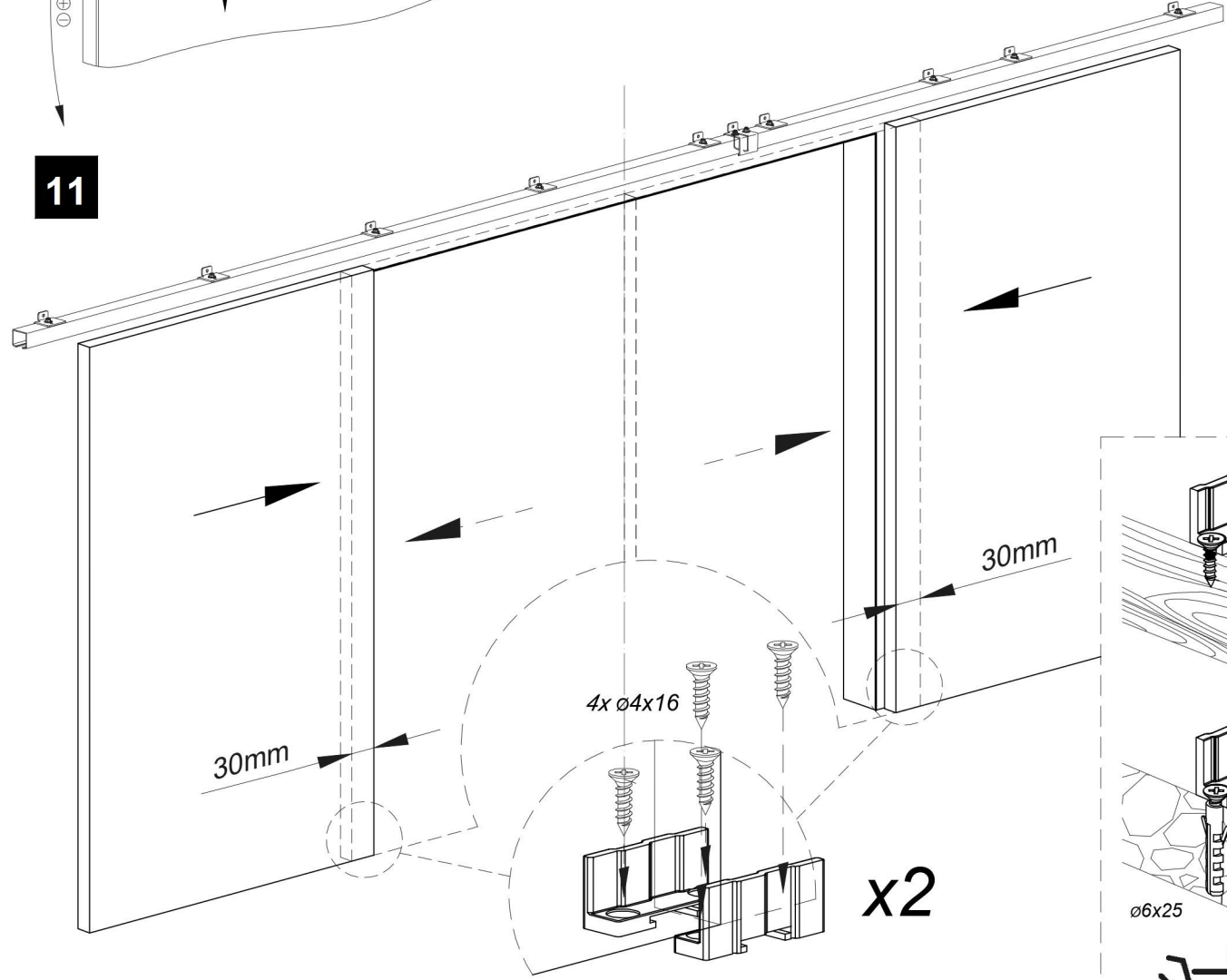
x2



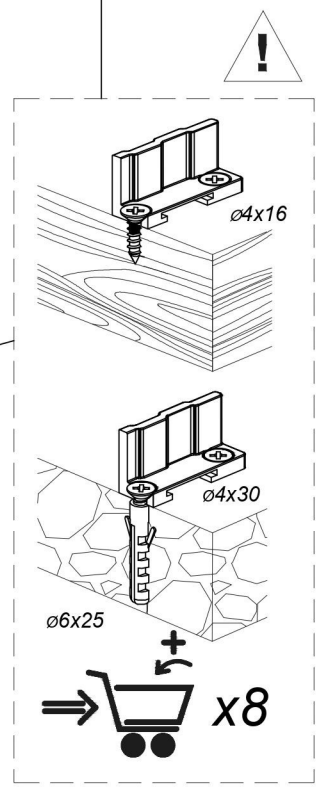
x2

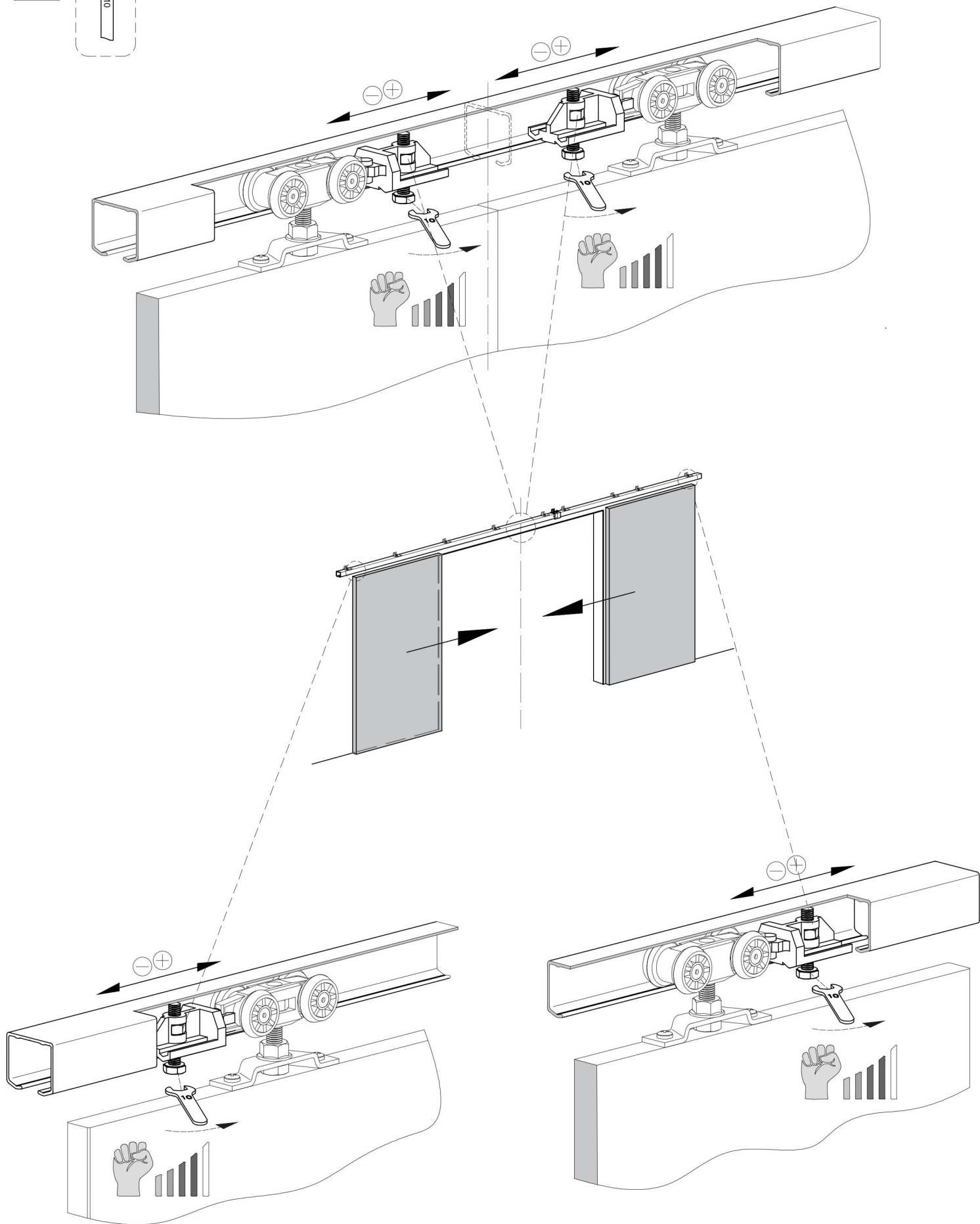


11

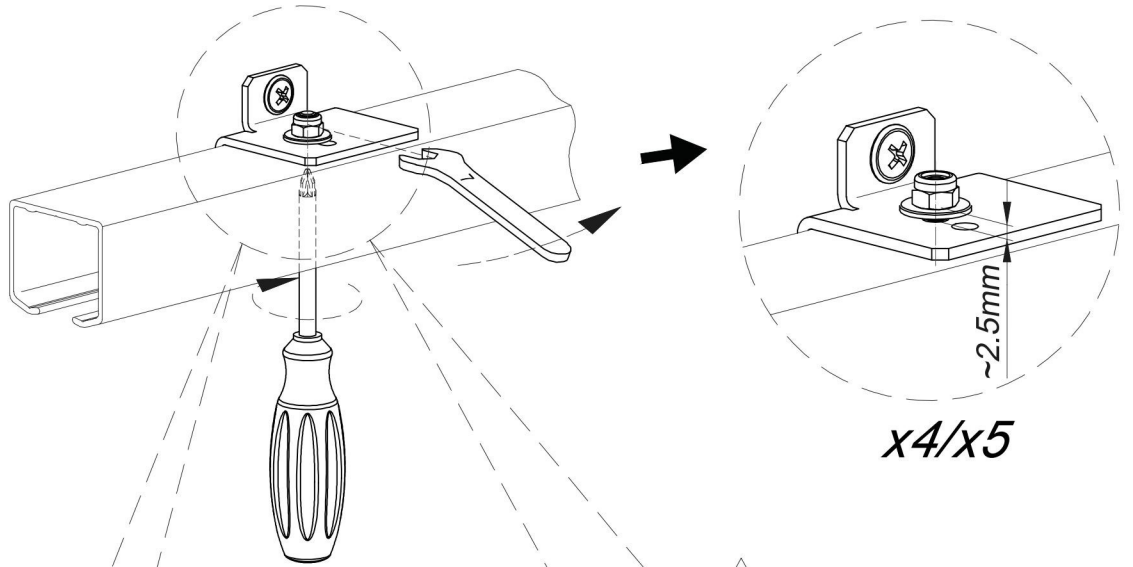
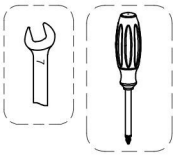


x2





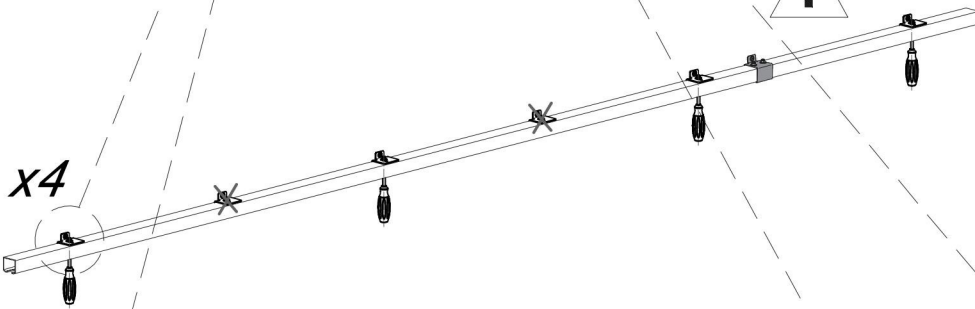
13



13a

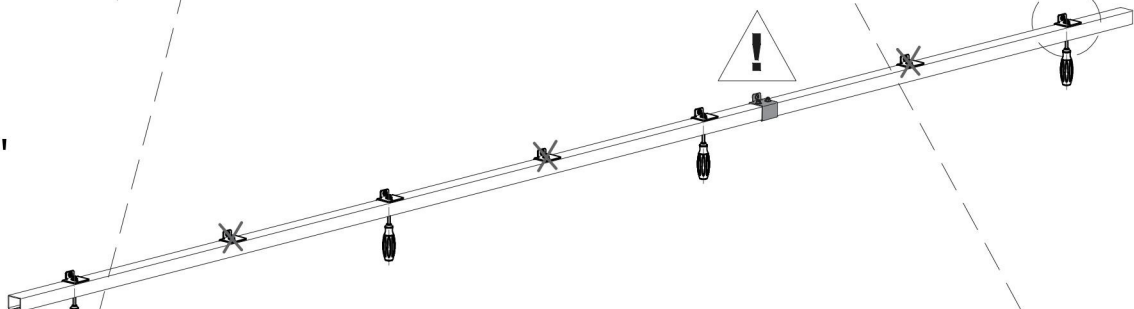
"120"

x4



13b

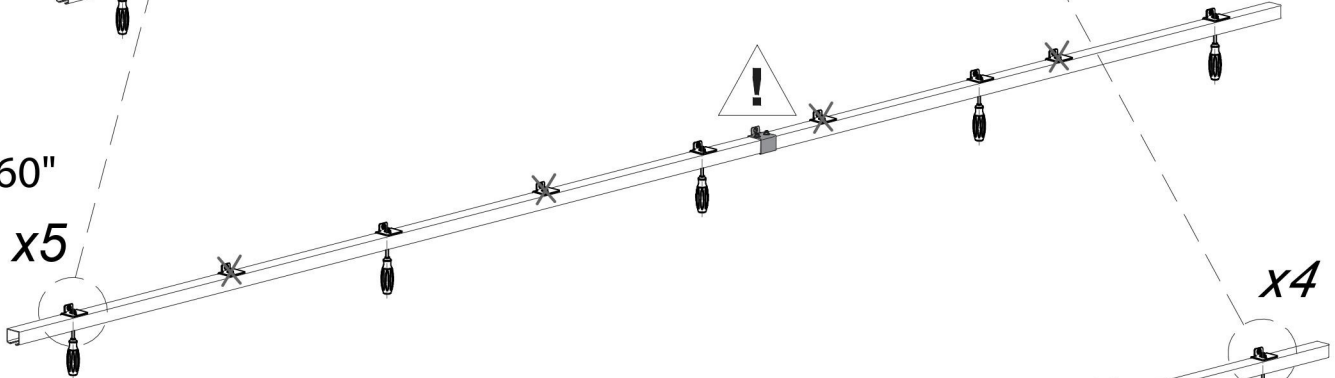
"140"



13c

"160"

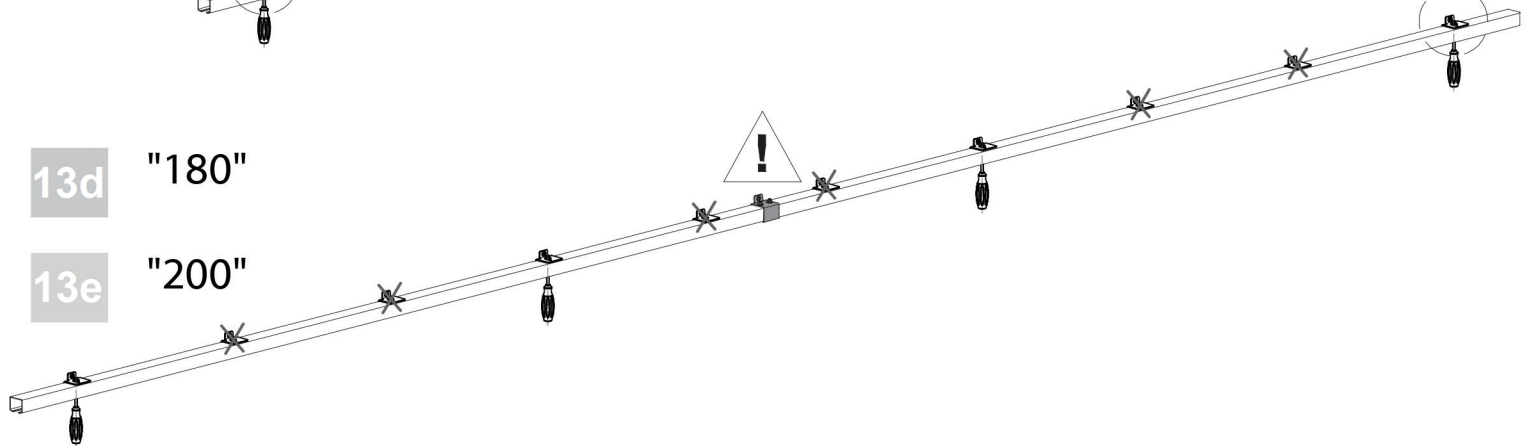
x5



13d

"180"

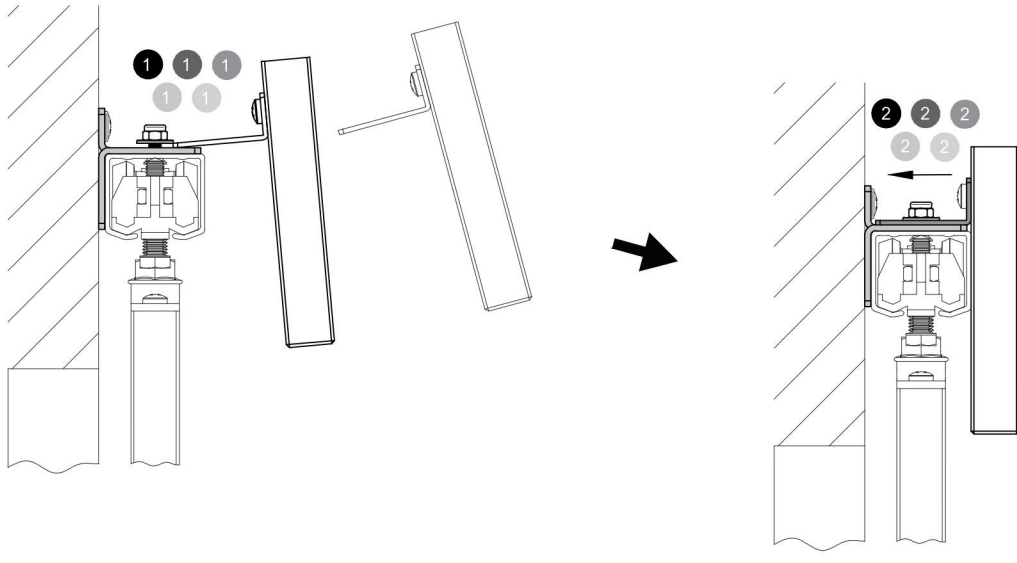
"200"



13e

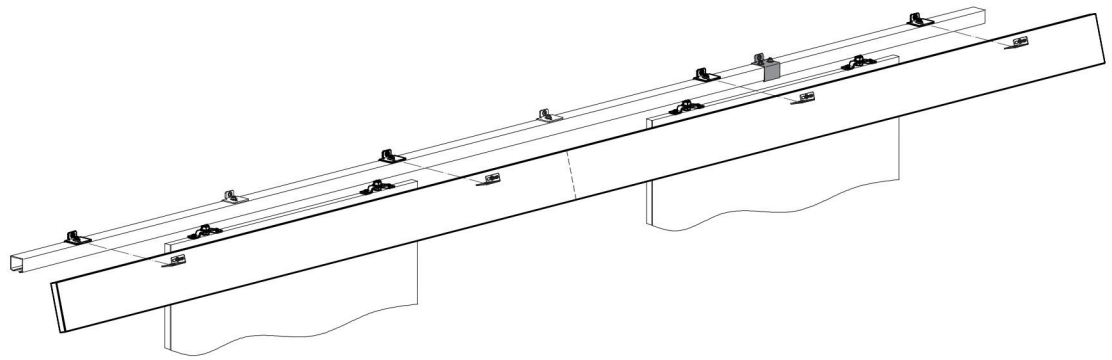
14

x4/x5



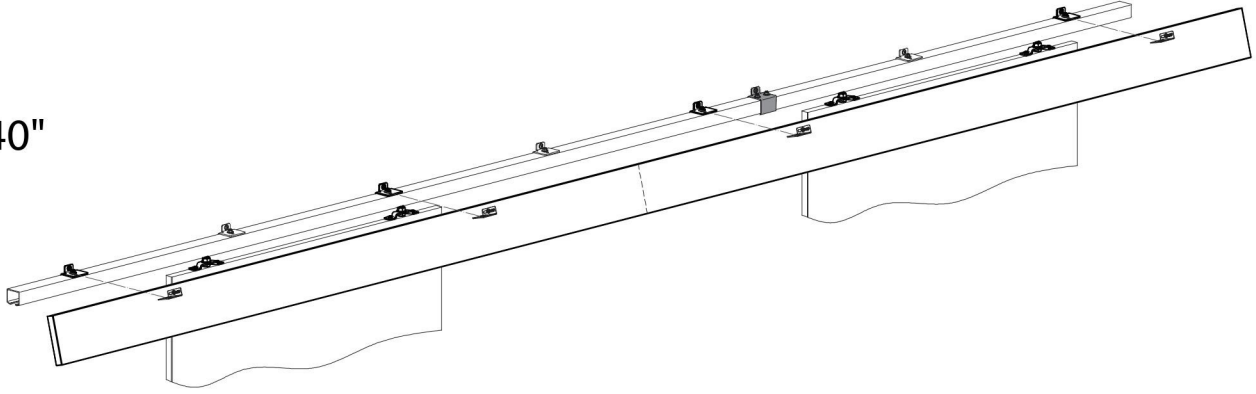
14a

"120"



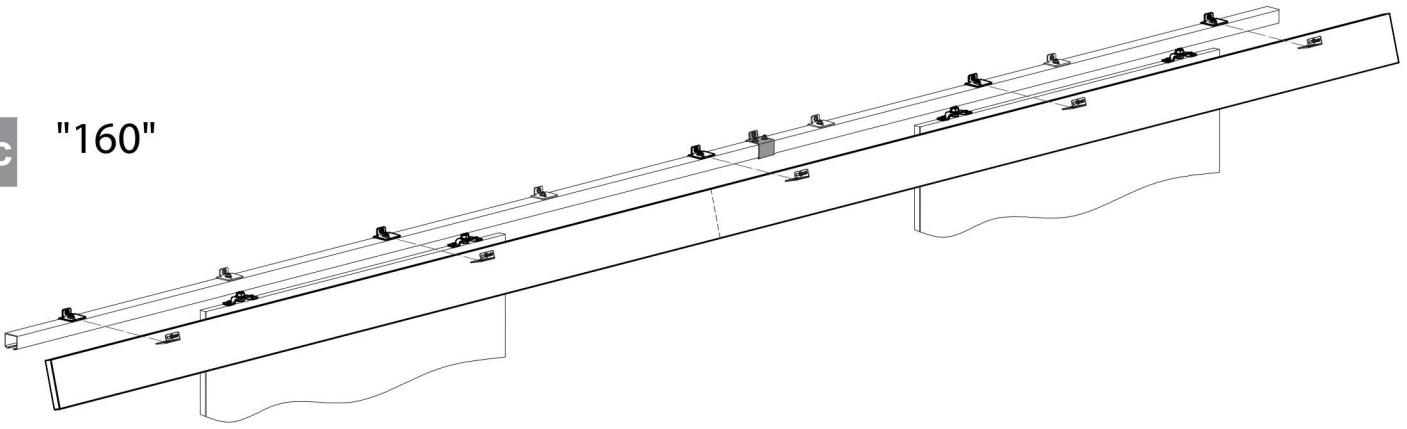
14b

"140"

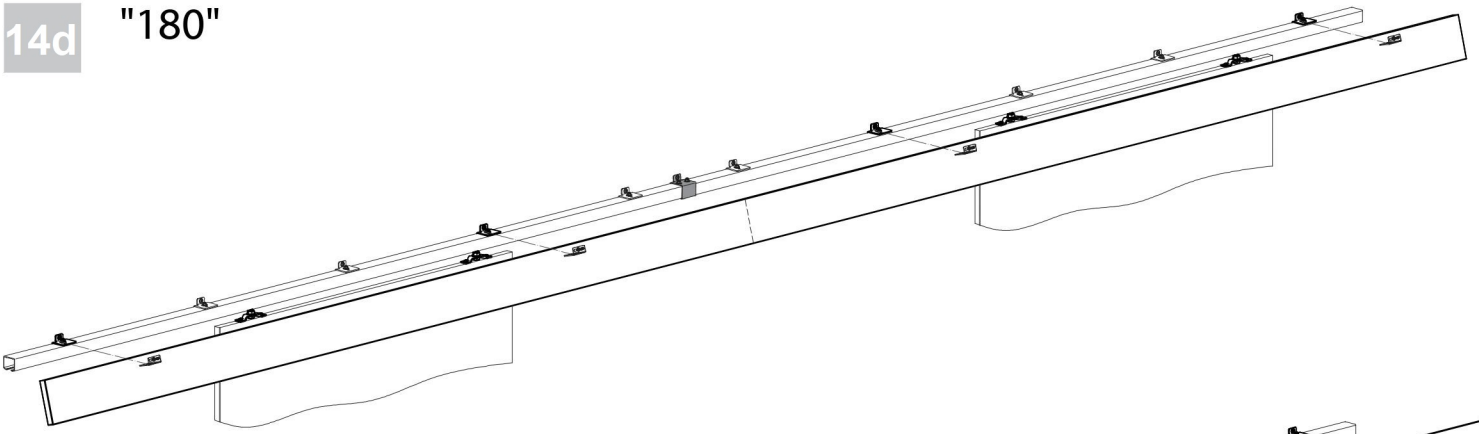


14c

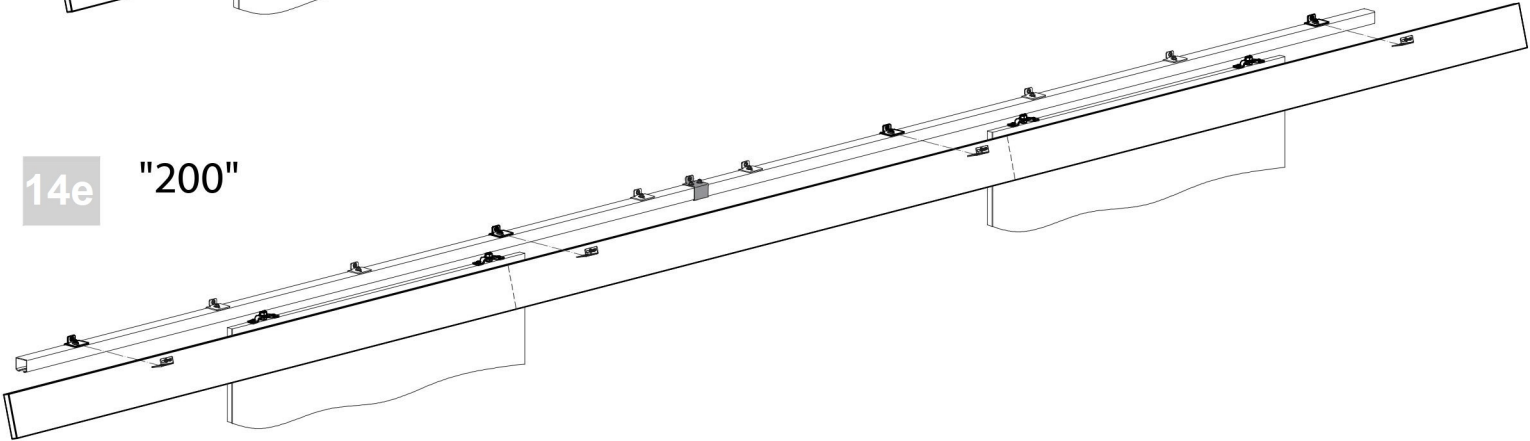
"160"



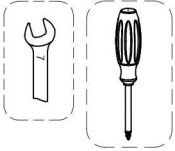
14d "180"



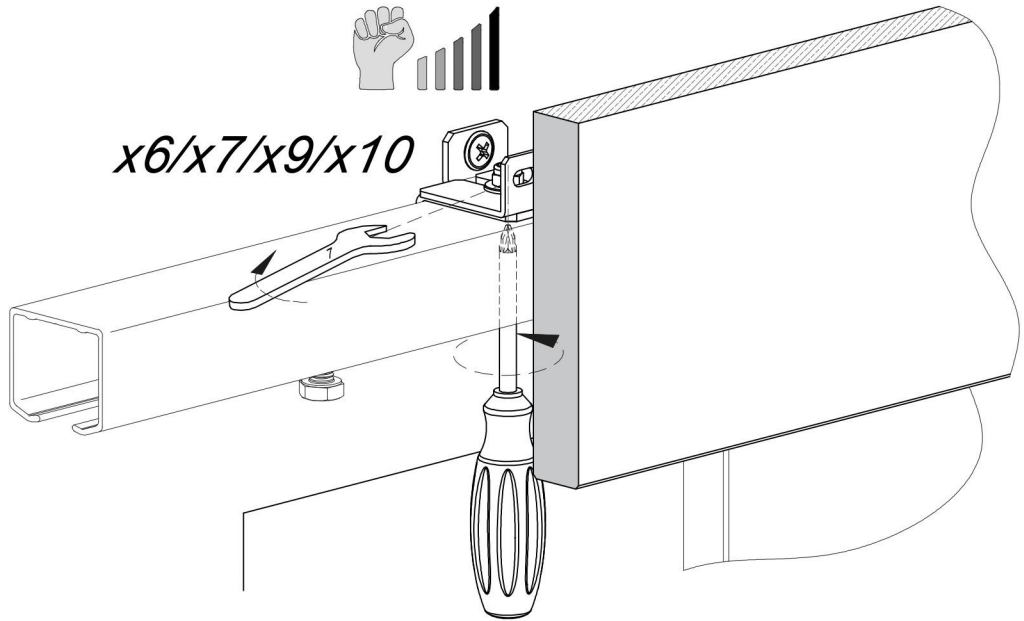
14e "200"



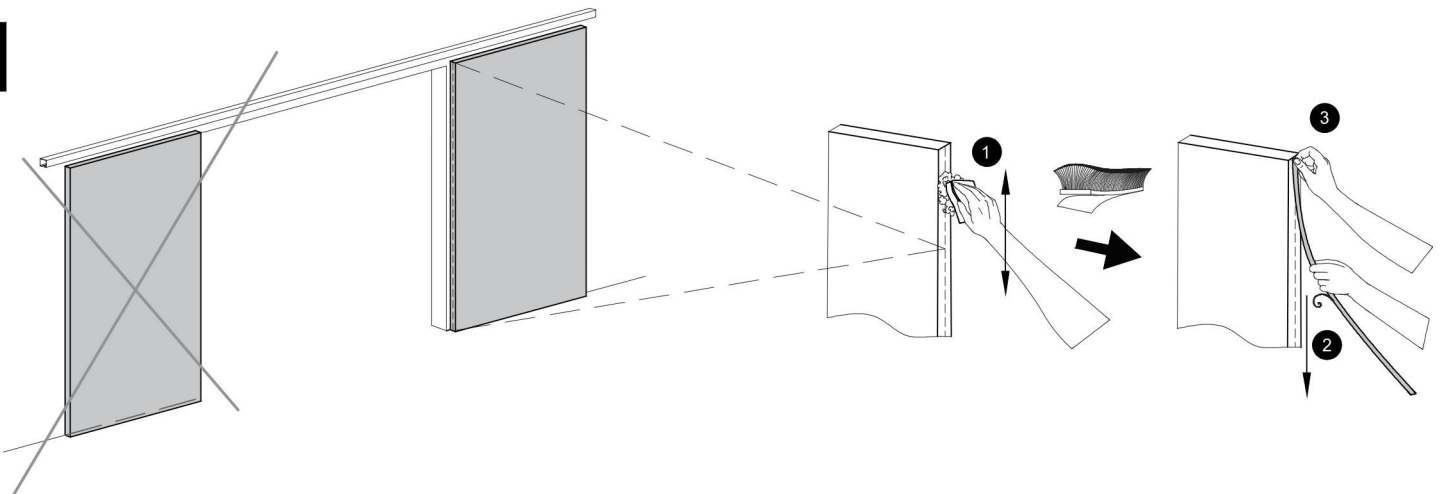
15

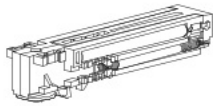


x6/x7/x9/x10



16





x1



x1



x2



x1

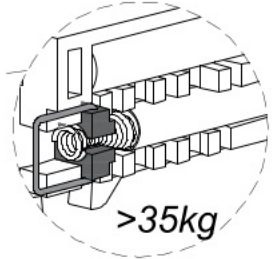
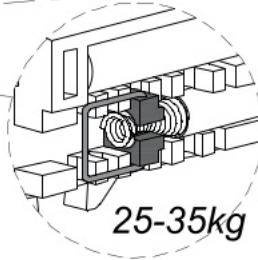
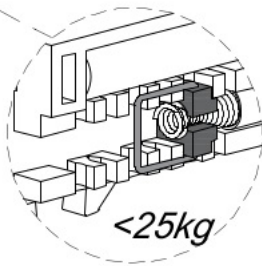
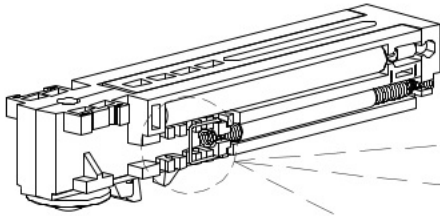


x1

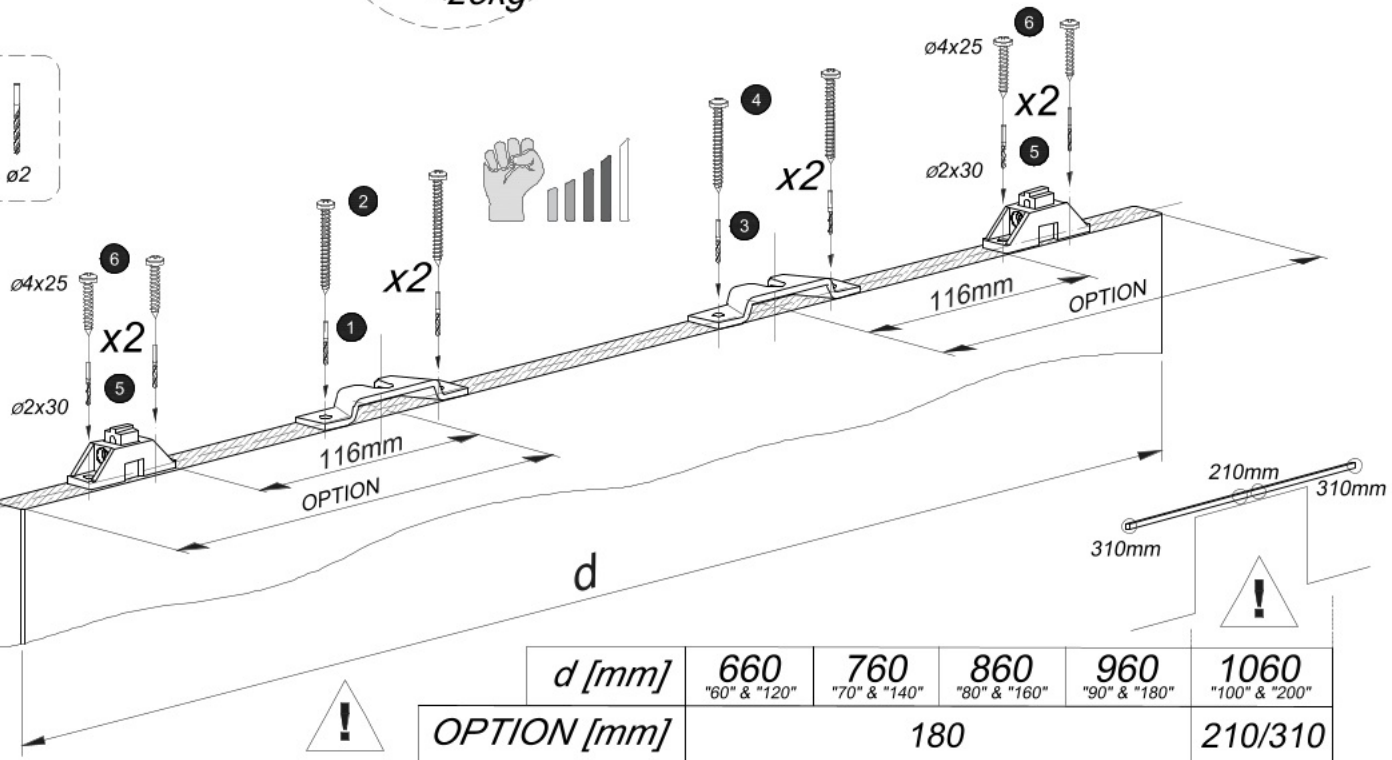


x1

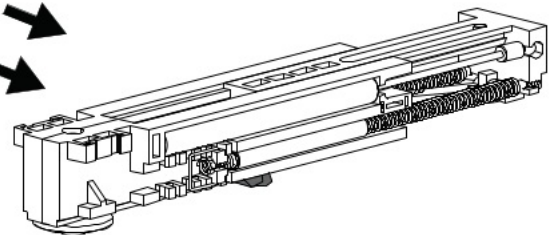
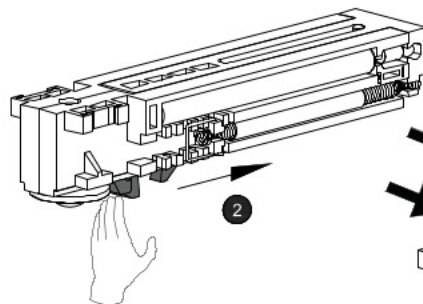
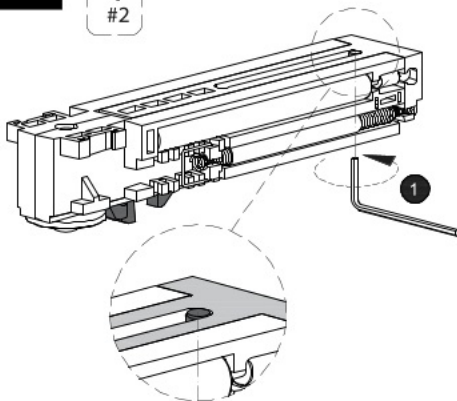
1



2

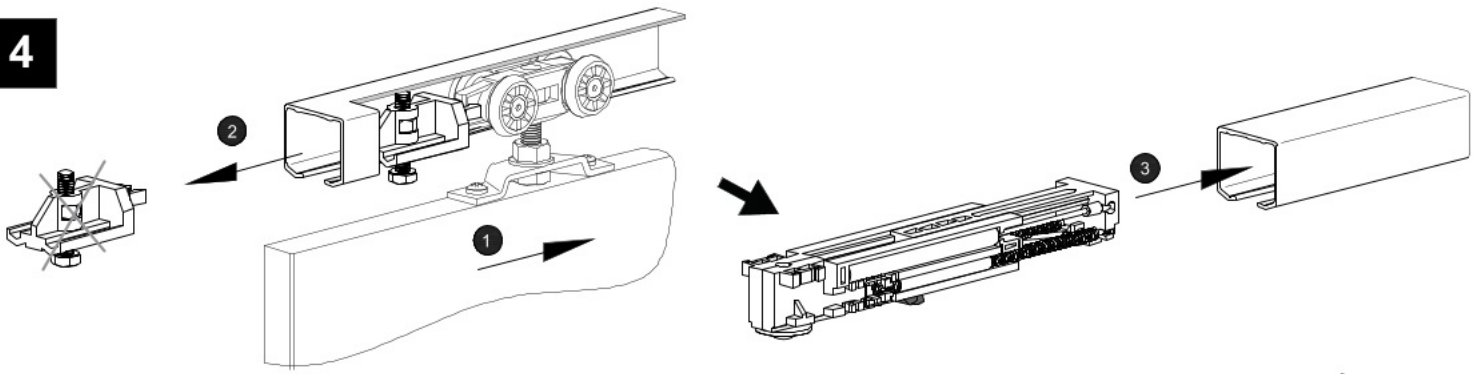


3

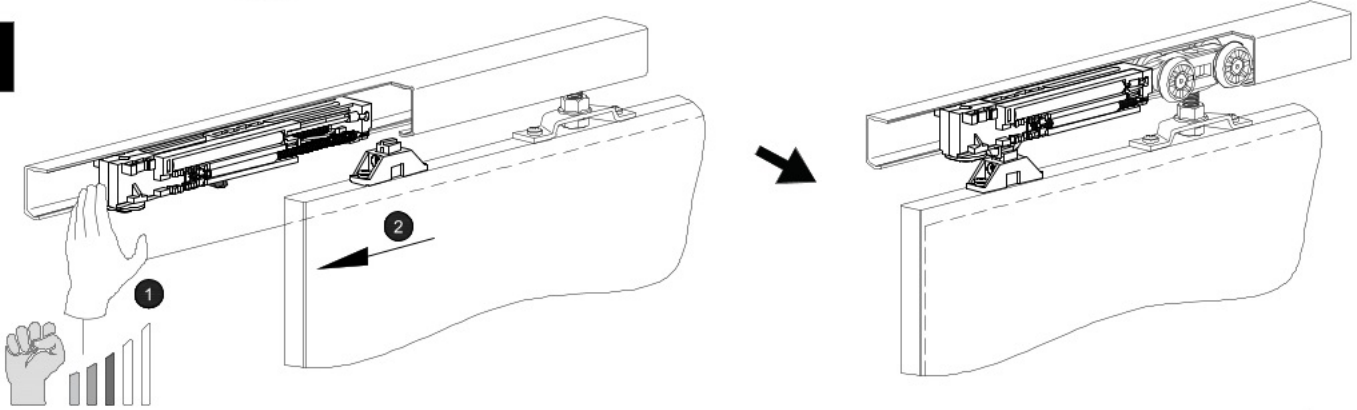




4

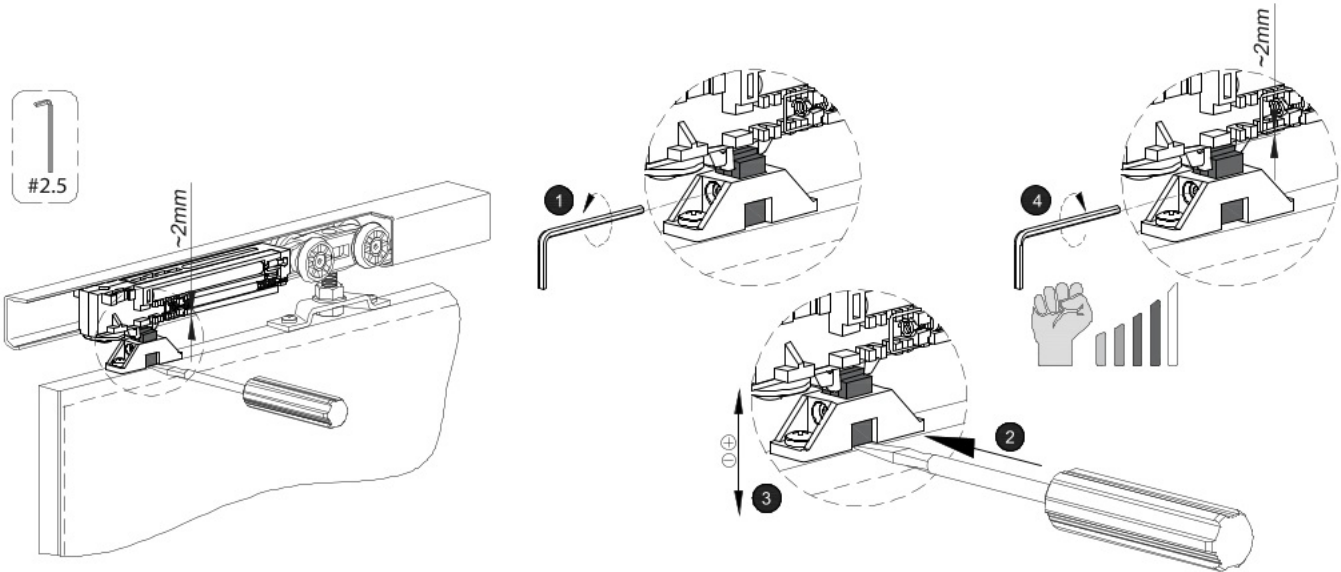


5



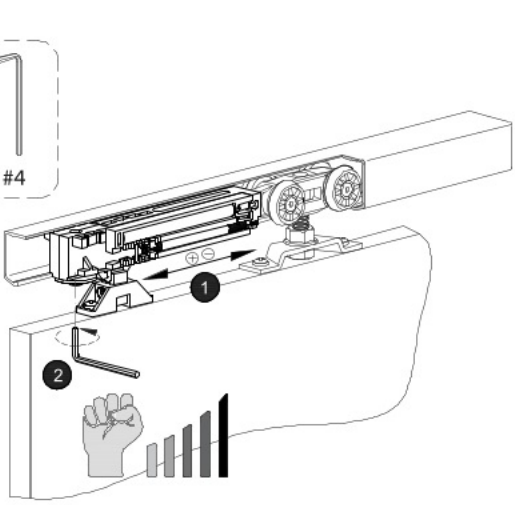
7

#2.5



8

#4



9

#2

