



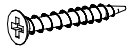
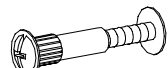
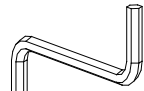
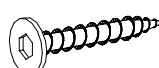
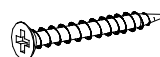


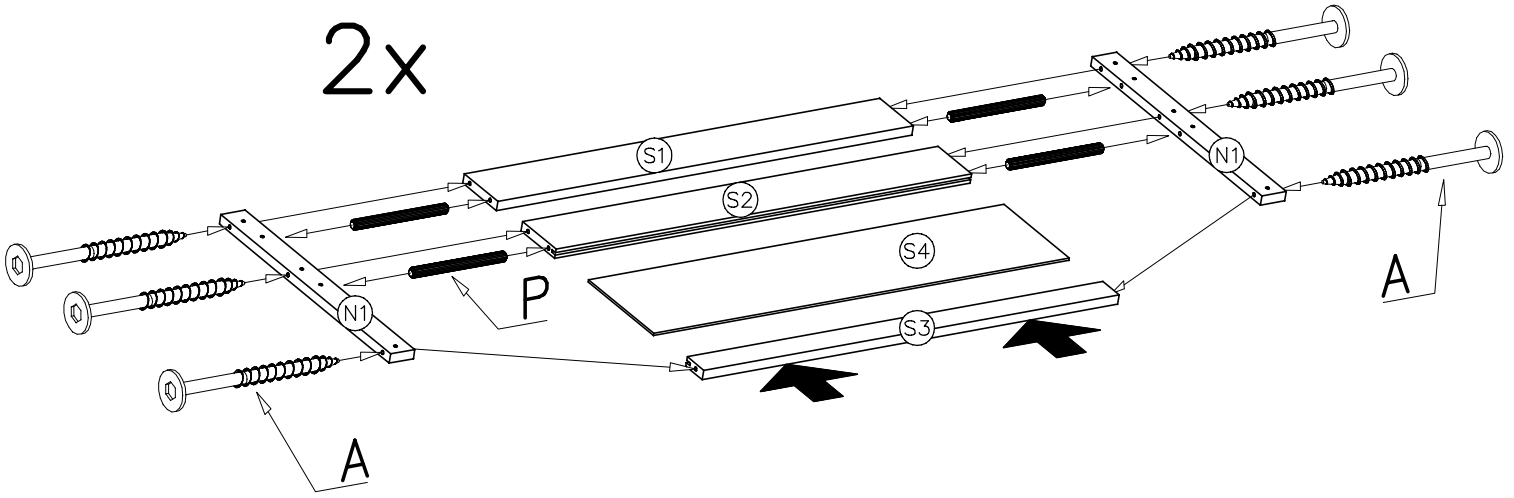
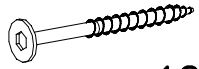



<b>W</b>  4x16 x4	<b>U</b>  x2	<b>A</b>  6x80 x12	<b>K</b>  ø8 x4	<b>F</b>  3,5x30 x2
<b>I</b>  ø8x35 x4	<b>H</b>  x1	<b>C</b>  6x50 x18	<b>E</b>  4x40 x16	<b>P</b>  ø6x50 x8
				<b>M</b>  4x25 x4

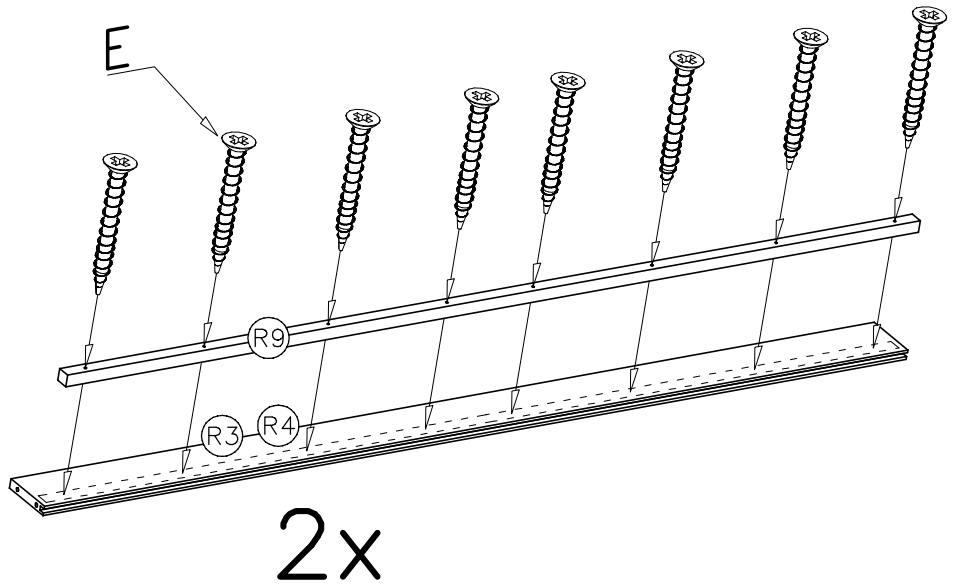
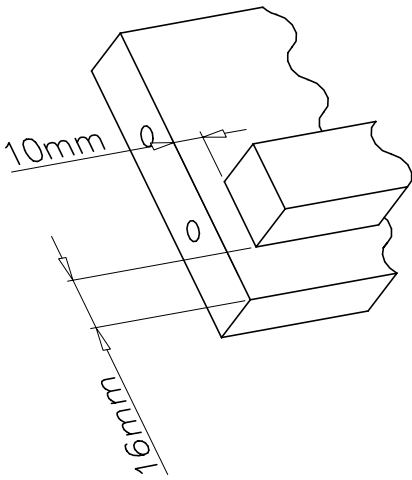
I

2x




<p>A</p>  <p>6x80      x12</p>	<p>P</p>  <p>∅6x50      x8</p>
--	--

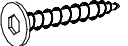
II

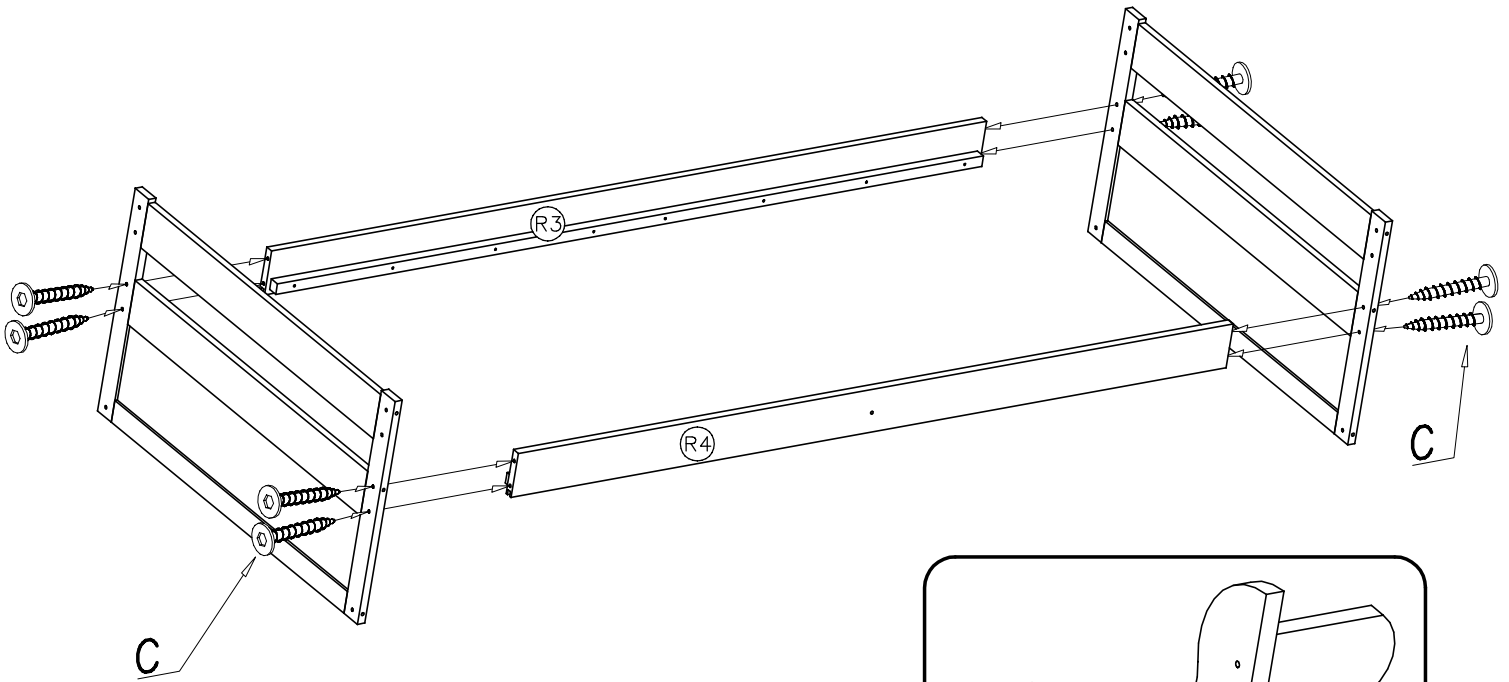


2x

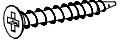
<p>E</p>  <p>4x40      x16</p>
---

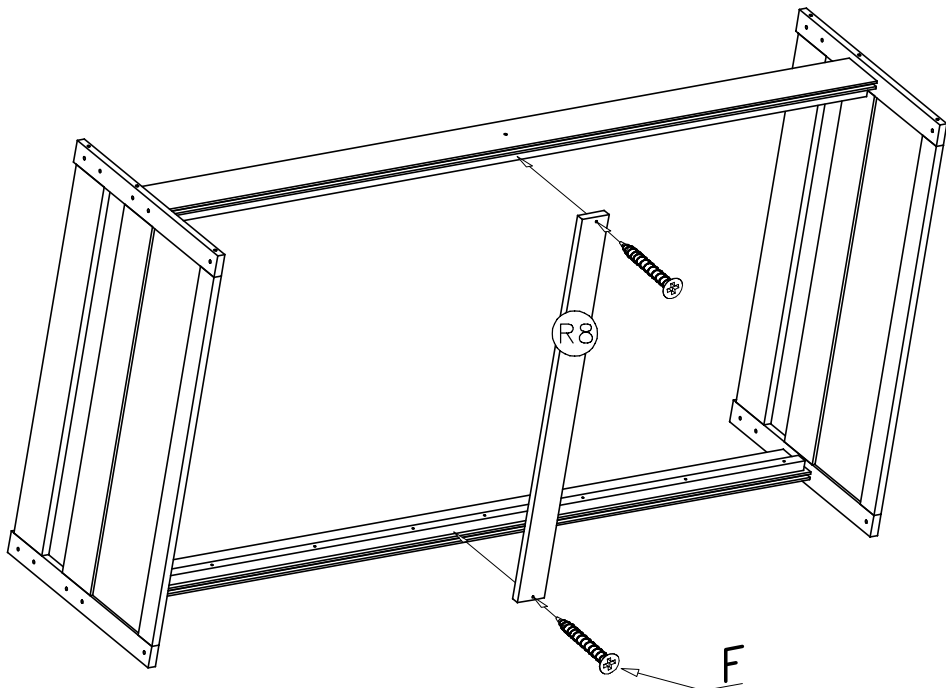
III

C  6x50 x8



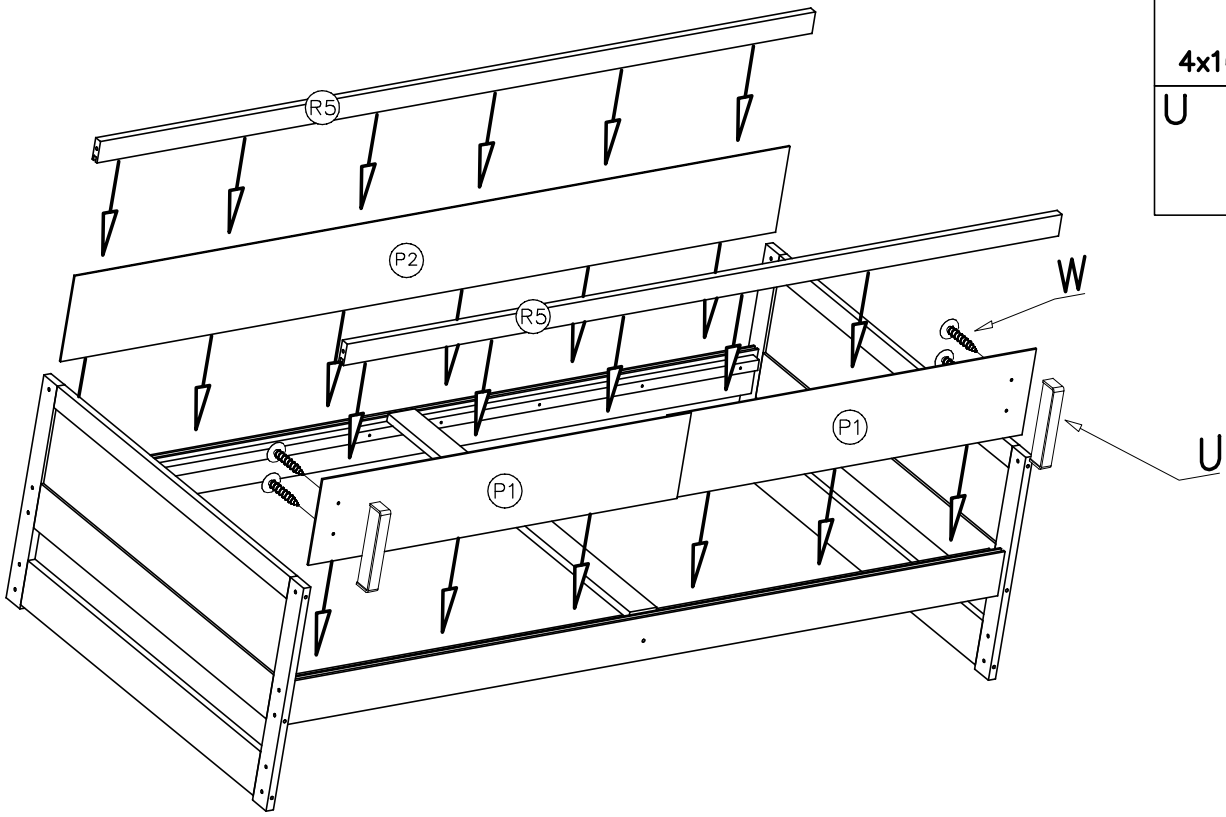
IV



F  3,5x30 x2



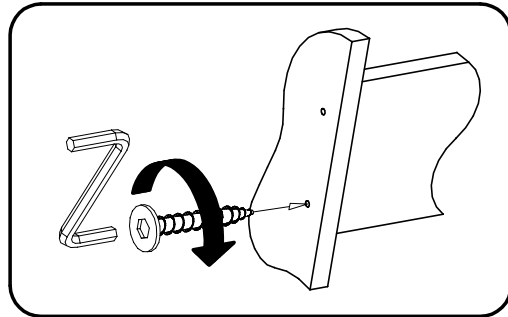
5

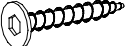
V

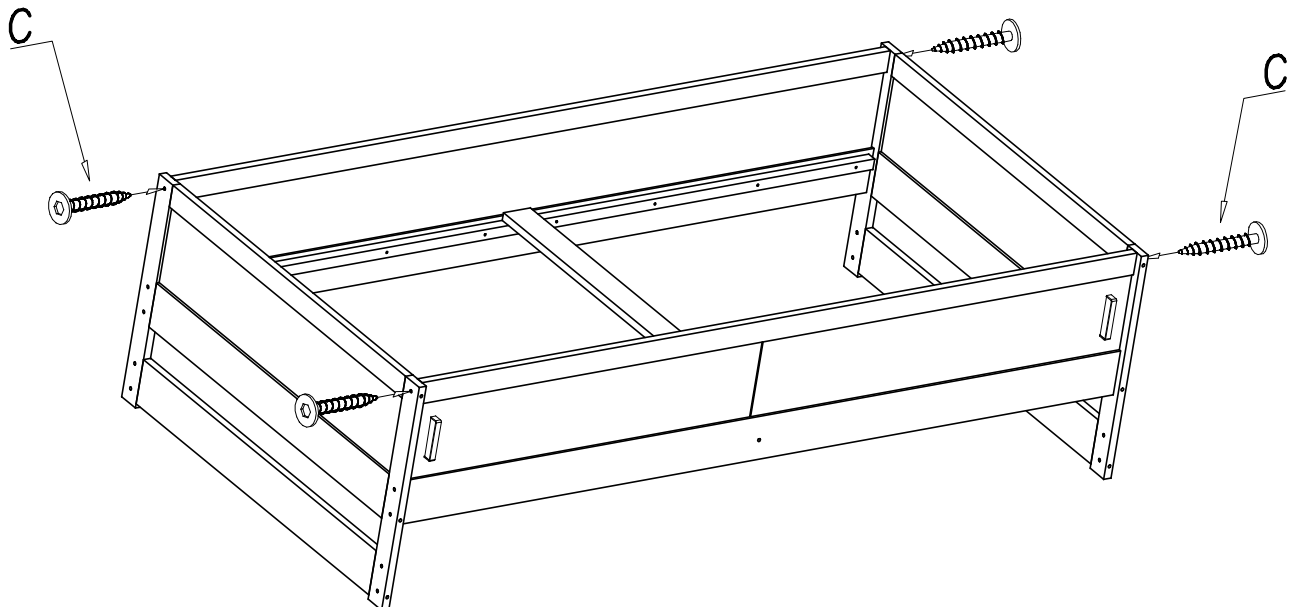


- |      |   |    |
|------|---|----|
| W    |  | x4 |
| 4x16 |   |    |
| U    |  | x2 |

VI

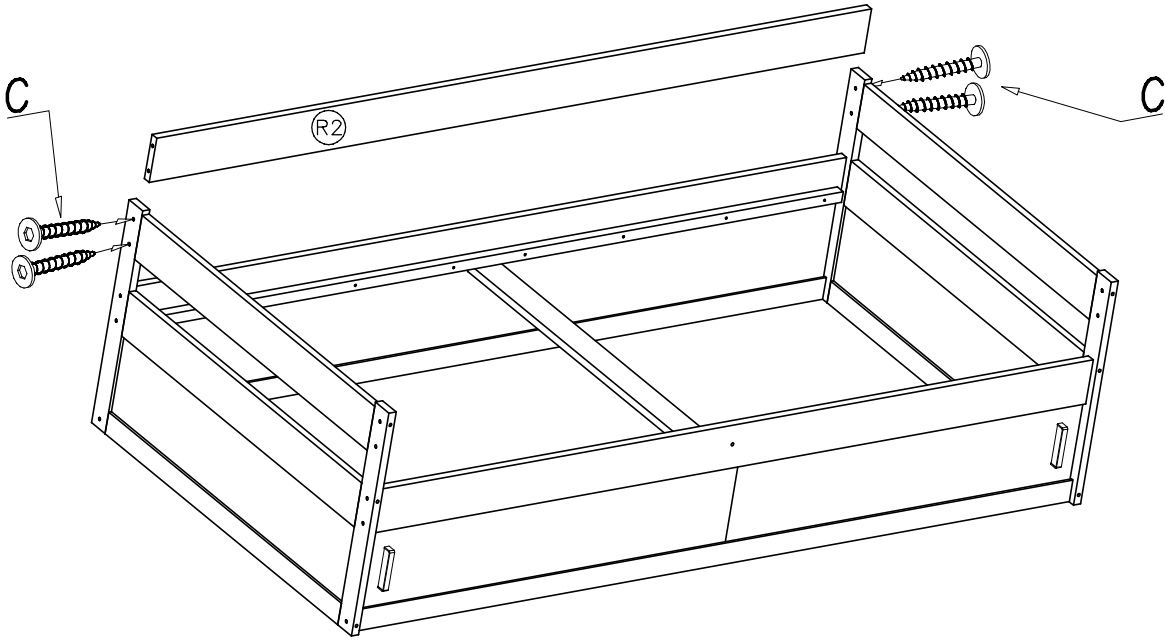


- |      |   |    |
|------|---|----|
| C    |  | x4 |
| 6x50 |   |    |



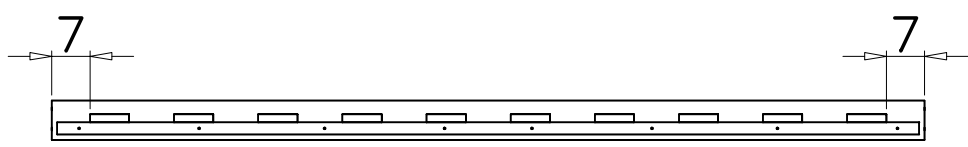
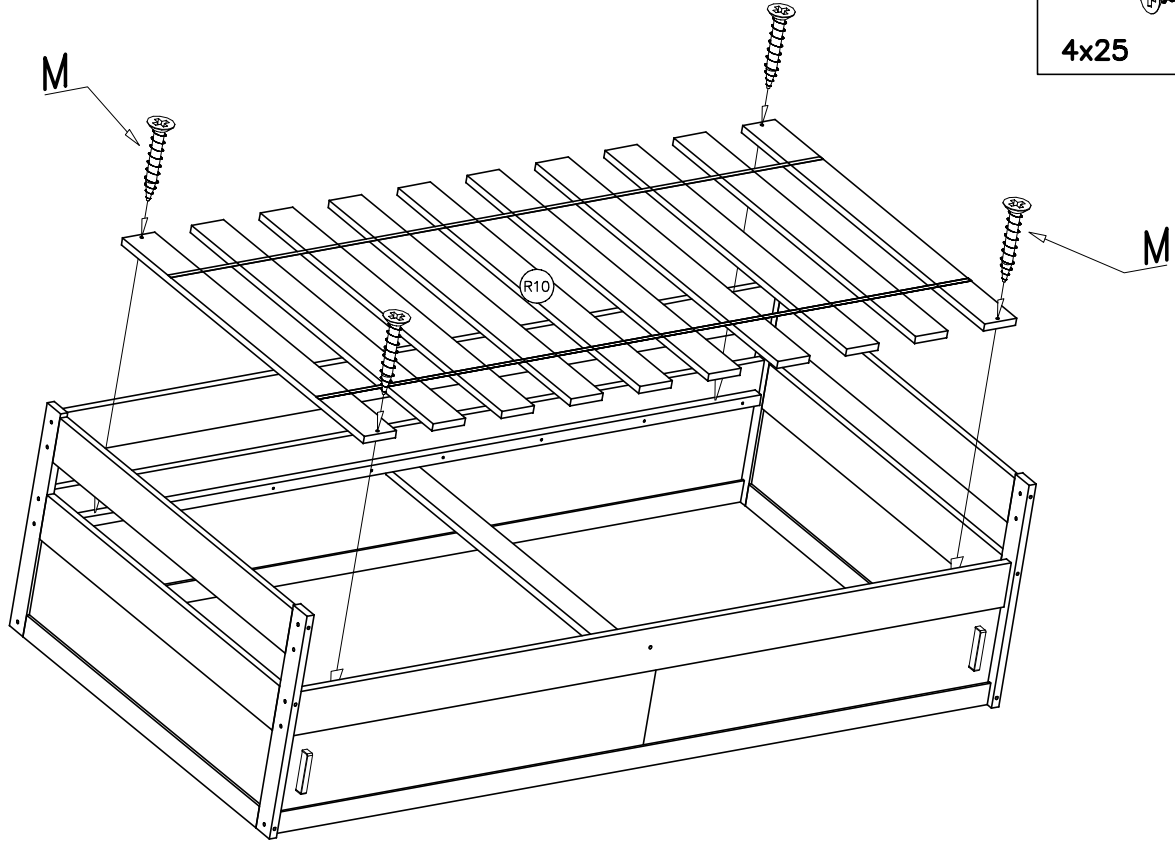
# VII

C  
6x50 x4



# VIII

M  
4x25 x4



IX

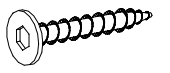
K



ø8

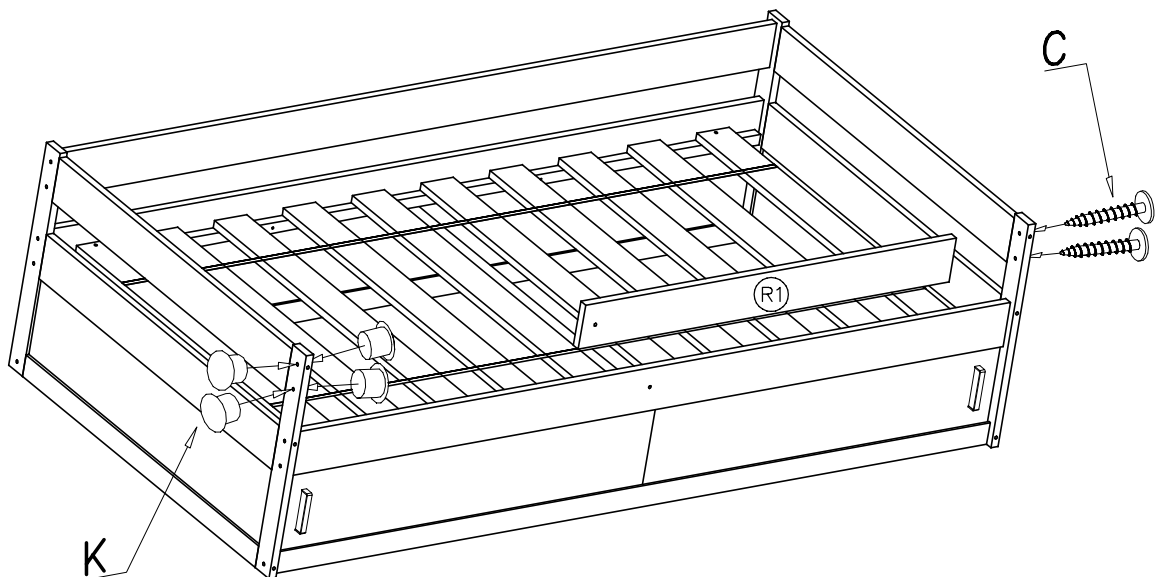
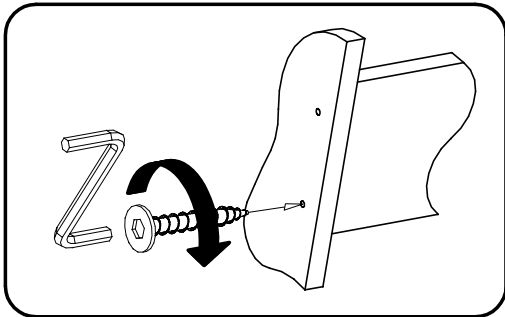
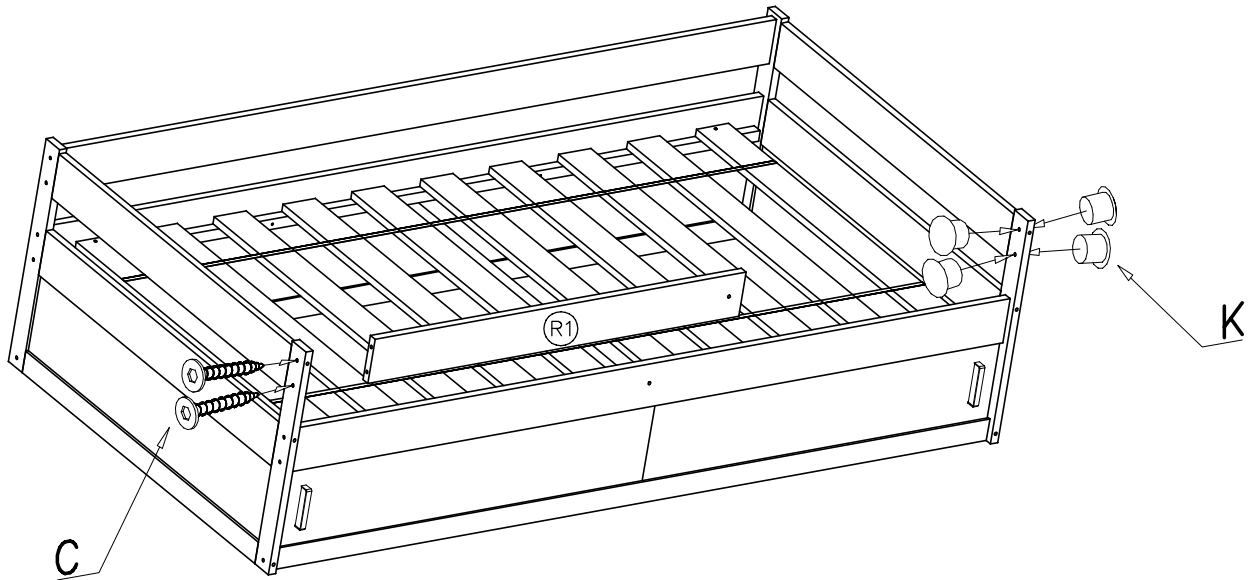
x4

C



6x50

x2



X

1  
ø8x35 x2

