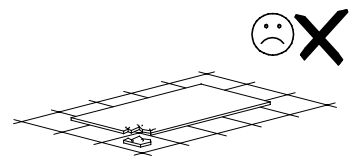
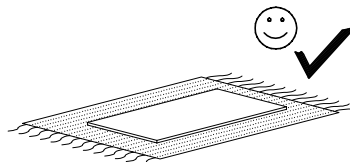
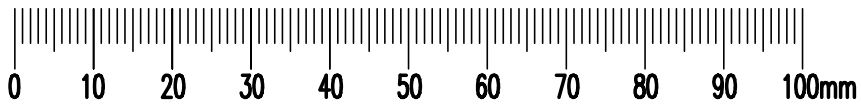
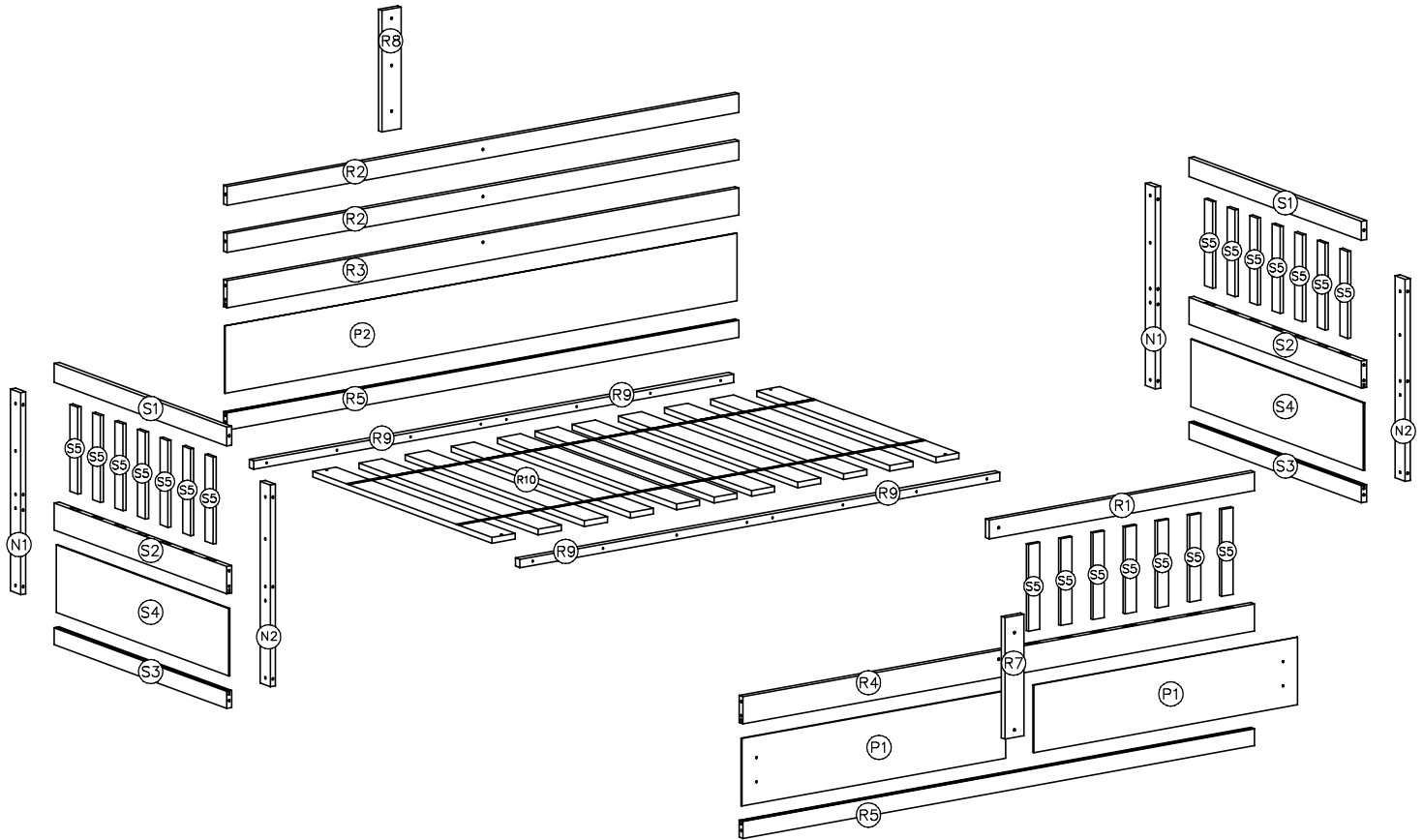
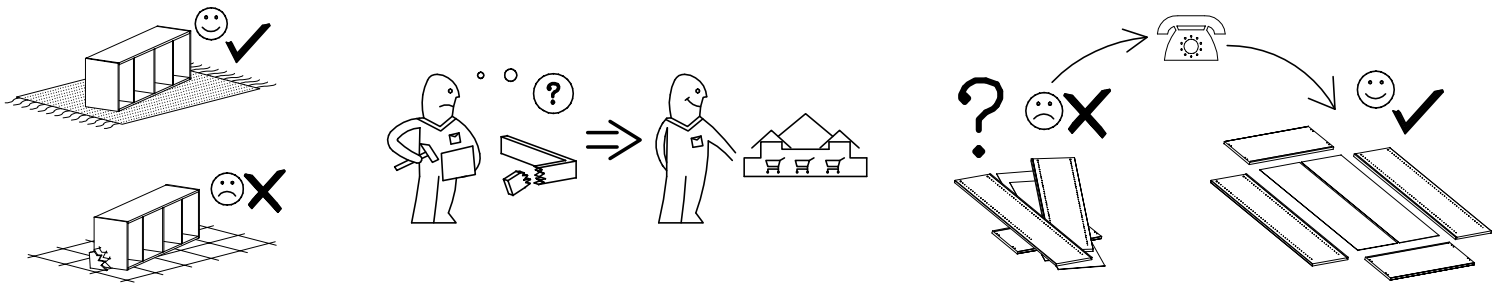


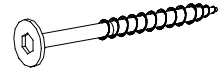

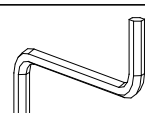
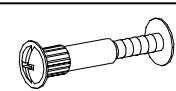
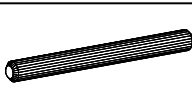
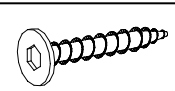
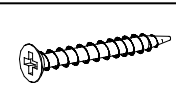
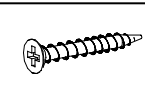


1,5h

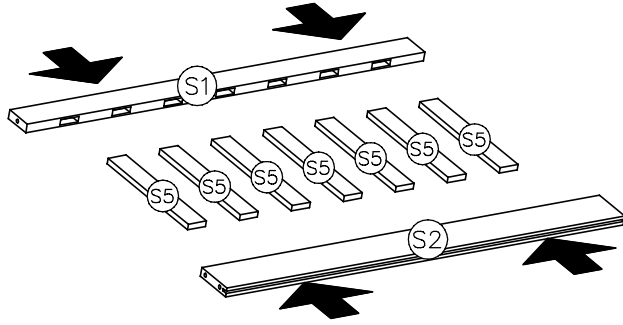




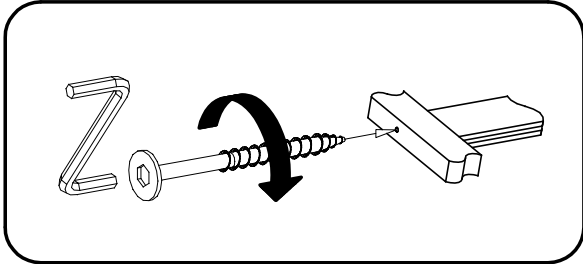
<b>W</b>  4x16 x4	<b>U</b>  x2	<b>A</b>  6x80 x12	<b>K</b>  ø8 x6	<b>H</b>  x1
<b>I</b>  ø8x27 x5	<b>P</b>  ø6x50 x4	<b>C</b>  6x60 x17	<b>E</b>  4x40 x20	<b>M</b>  4x25 x6

I

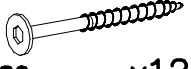

2x

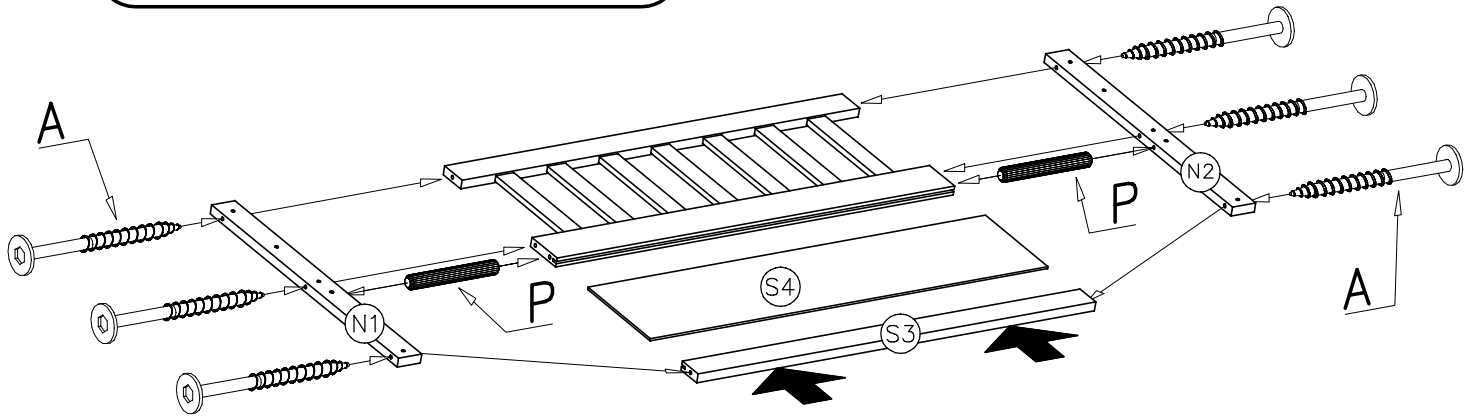


II

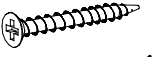


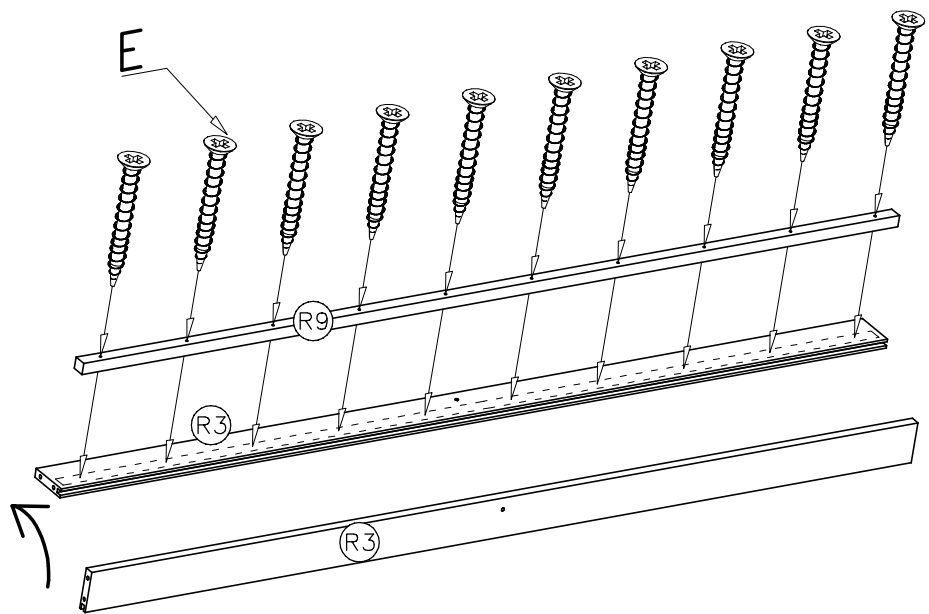
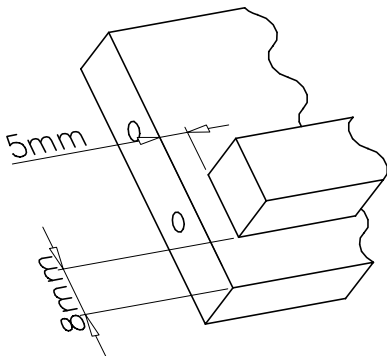
2x

A		P	
6x80	x12	ø6x50	x4



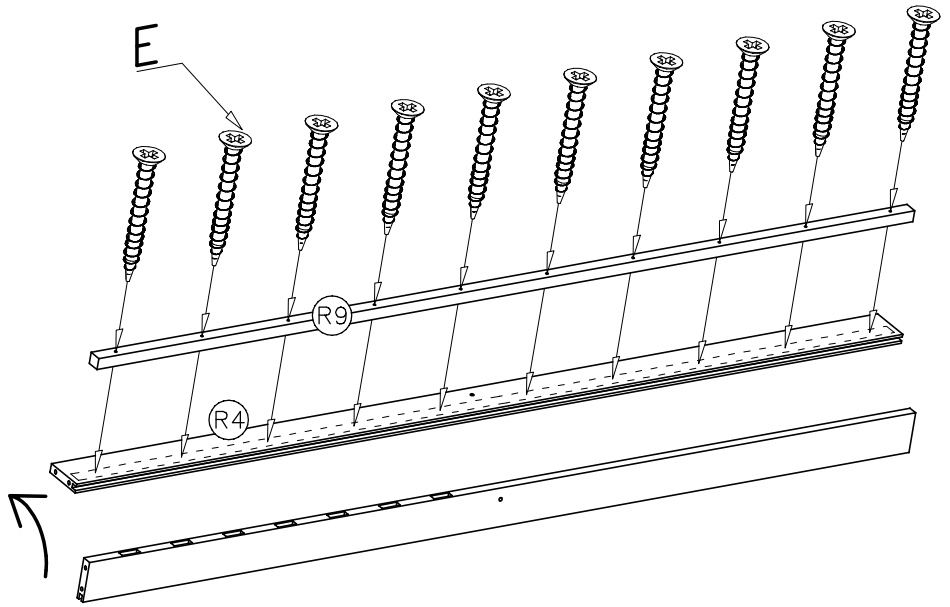
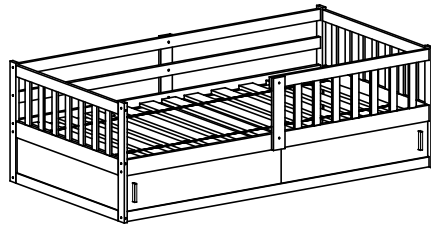
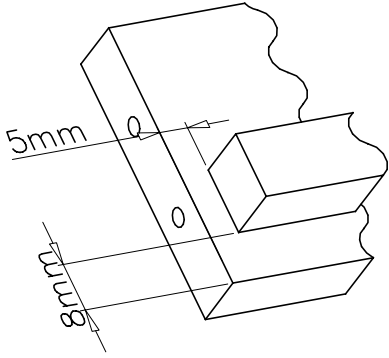
III

E	
4x40	x10



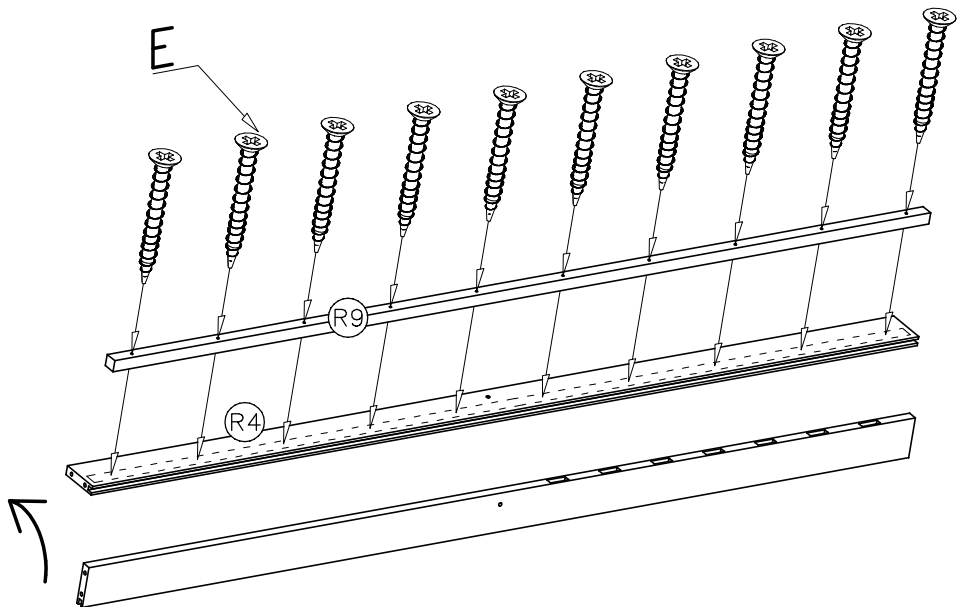
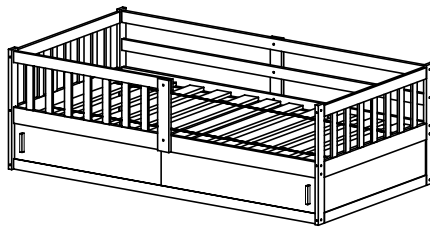
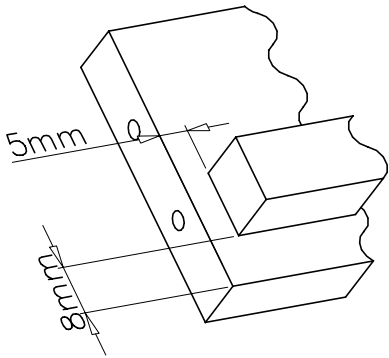
# IV

E  
4x40 x10

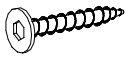


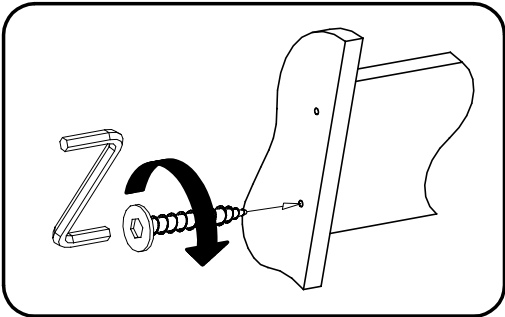
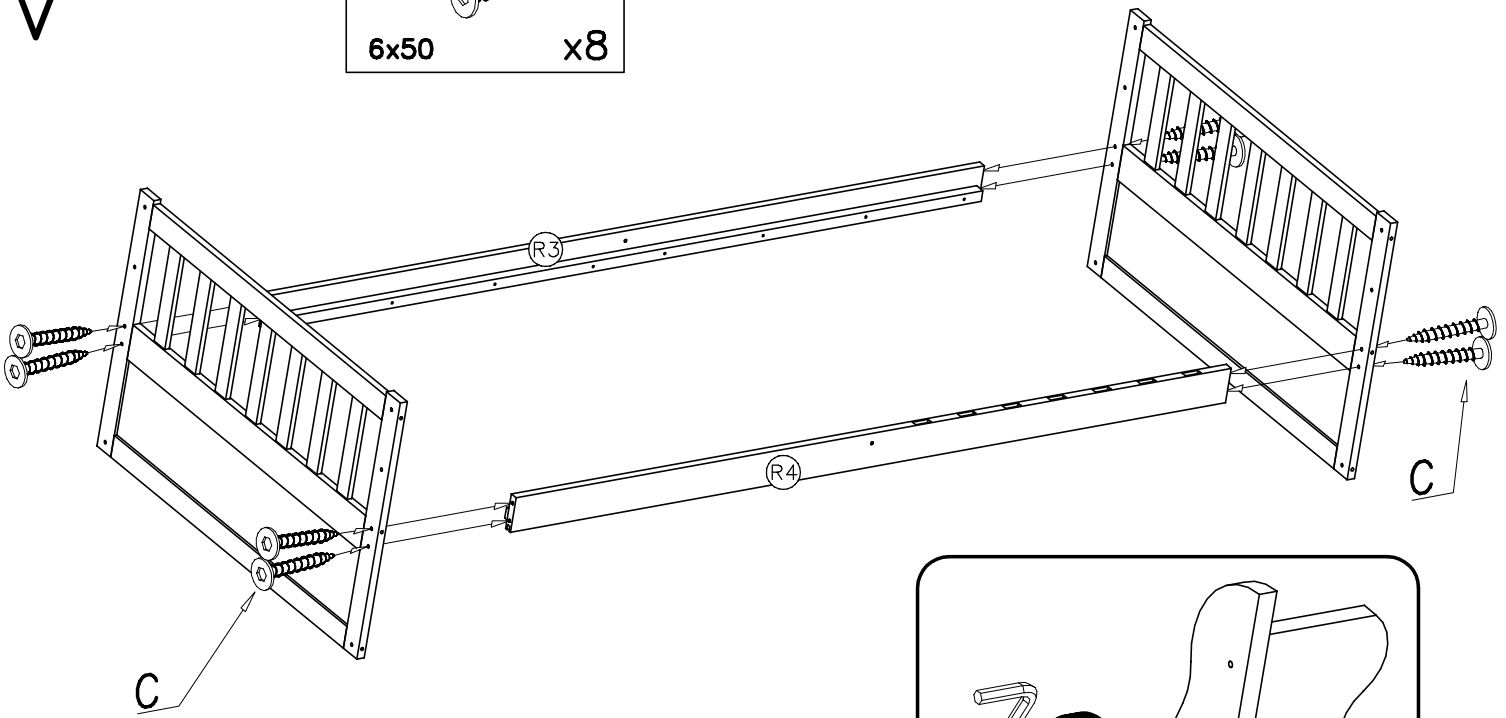
# IV

E  
4x40 x10

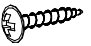



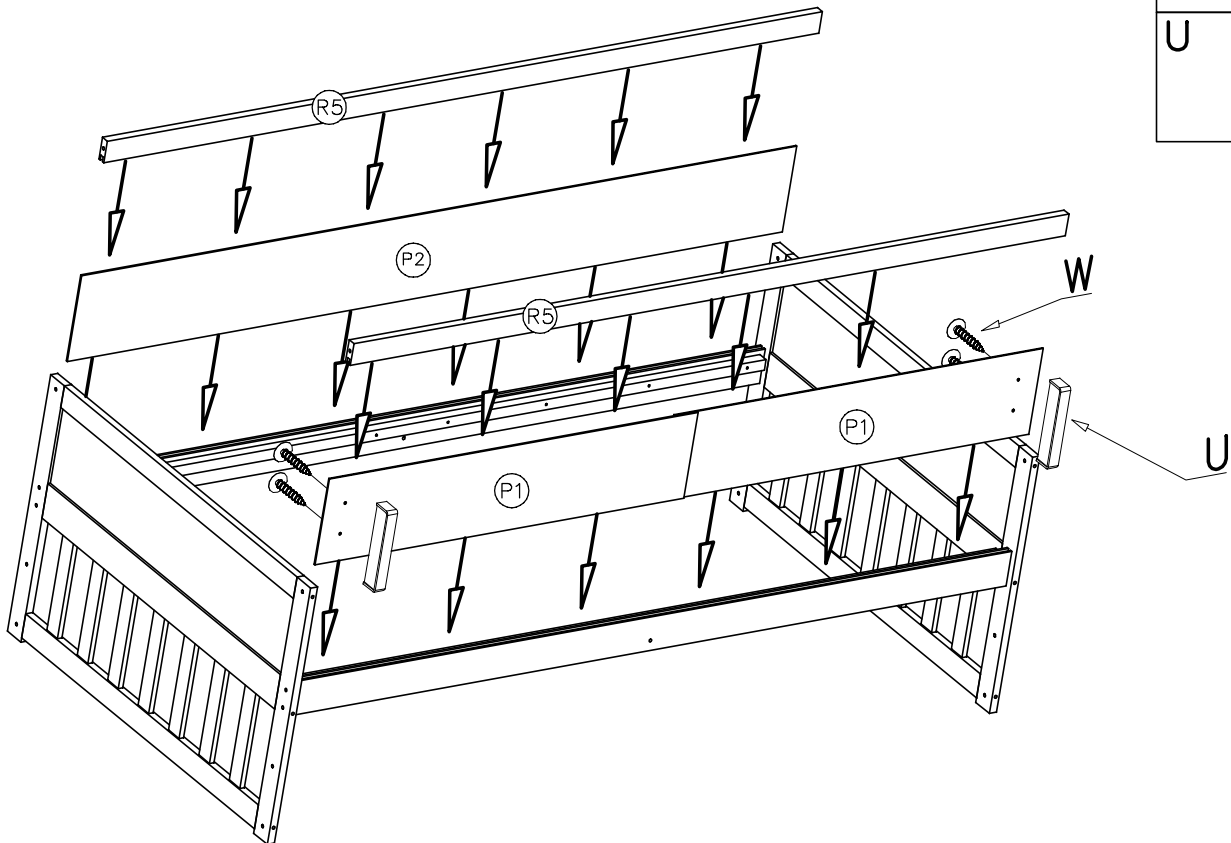
V

C  6x50 x8

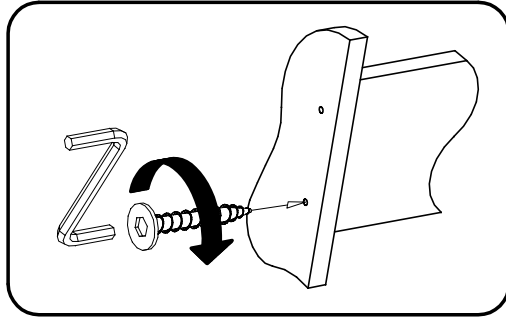


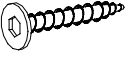
VI

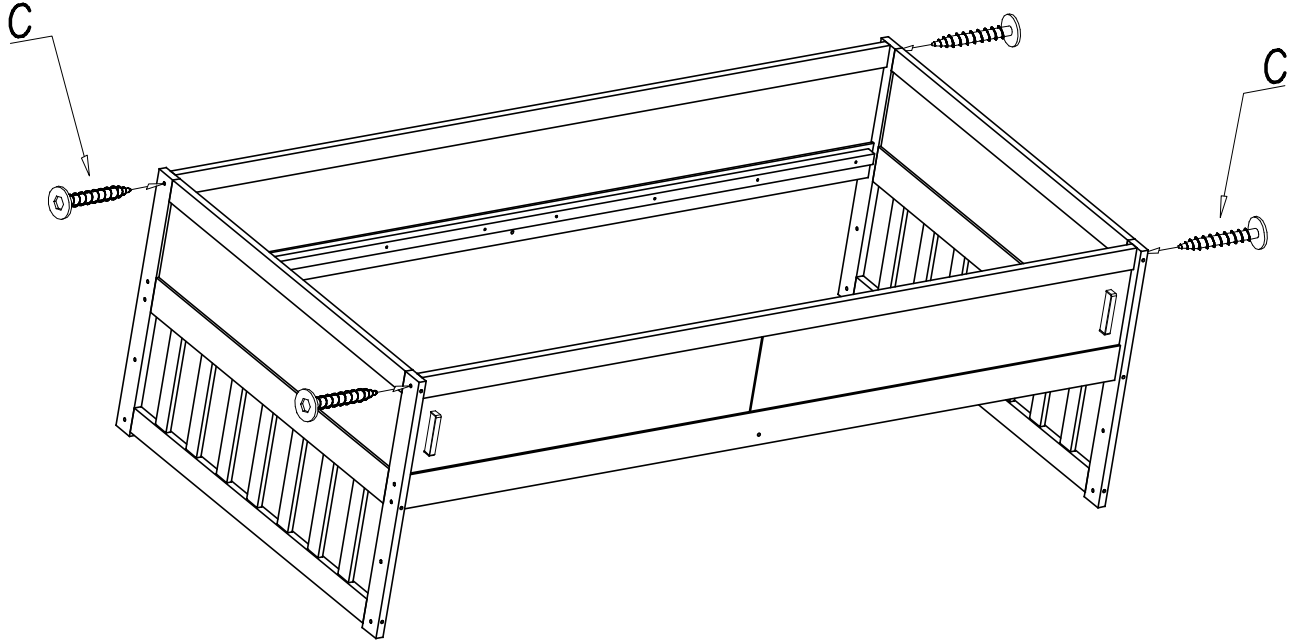
W  4x16 x4  
U  x2




# VII

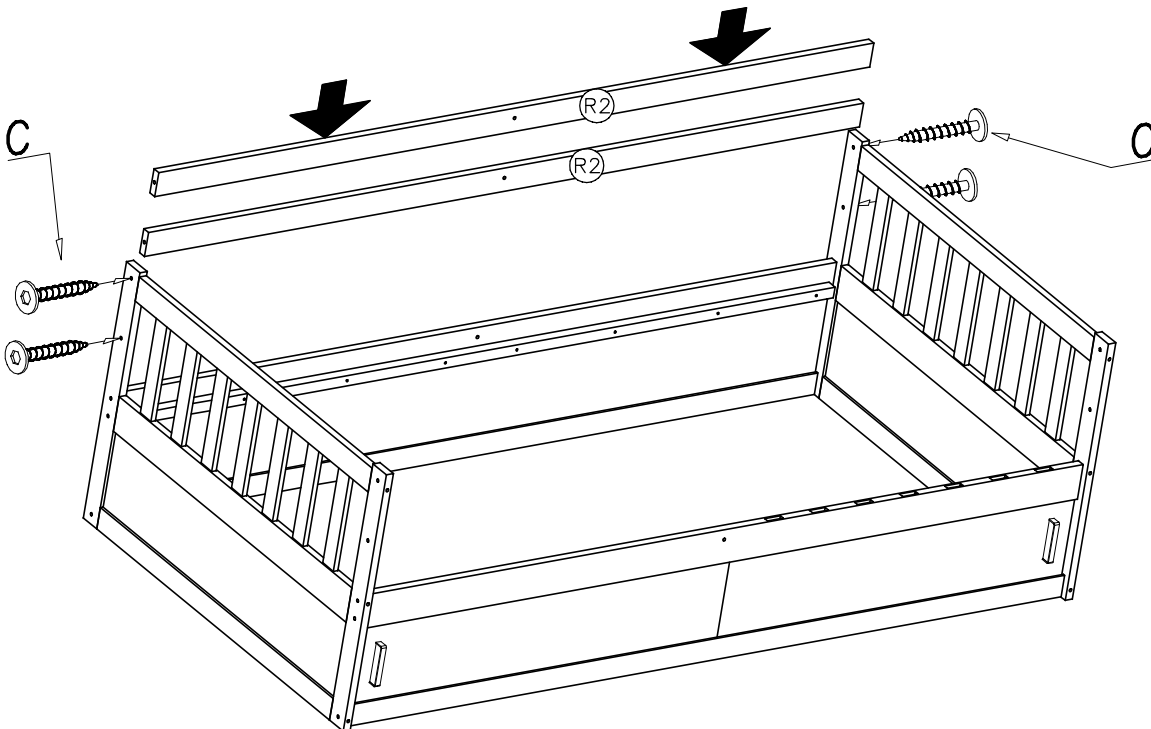


C   
6x50 x4



# VIII

C   
6x50 x4



IX

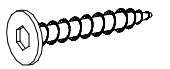
K



ø8

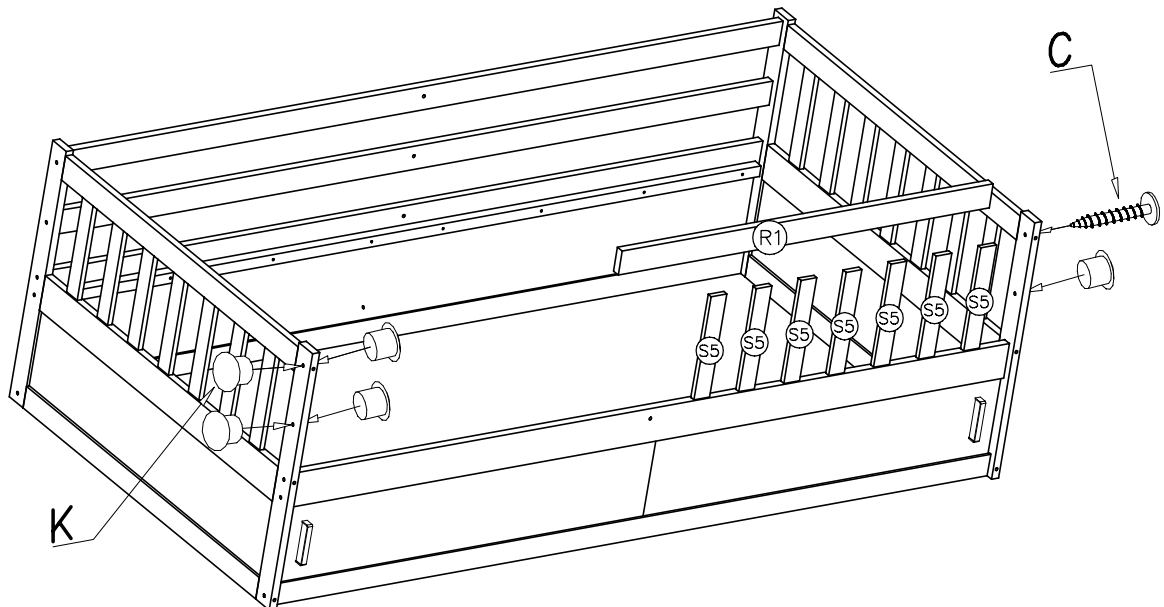
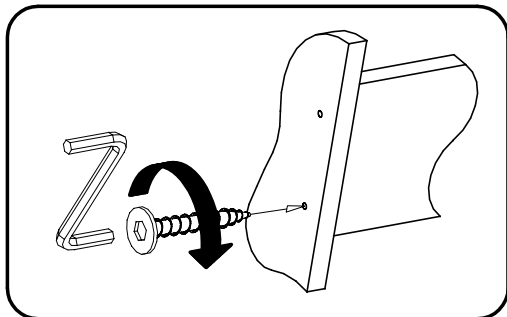
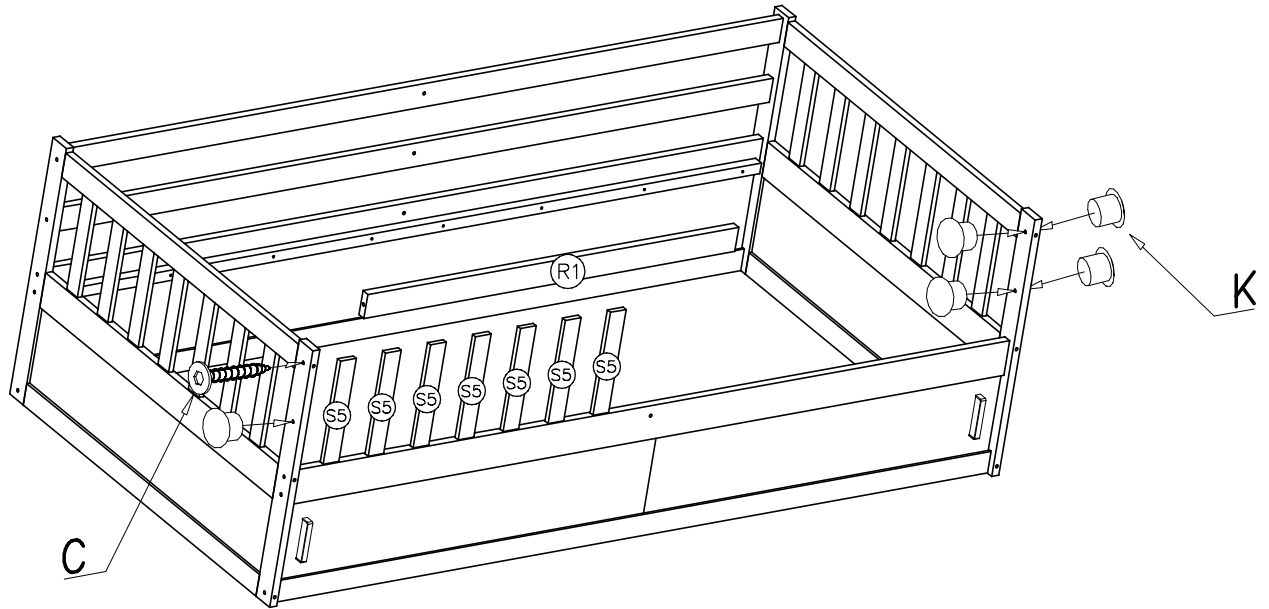
x6

C

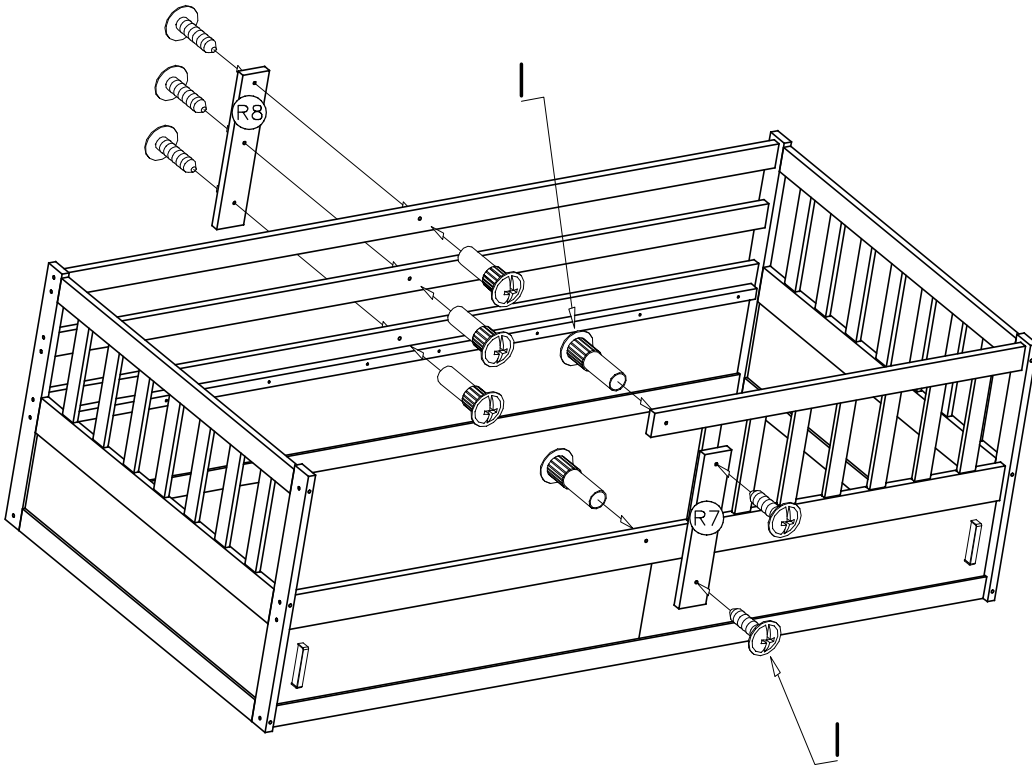


6x50

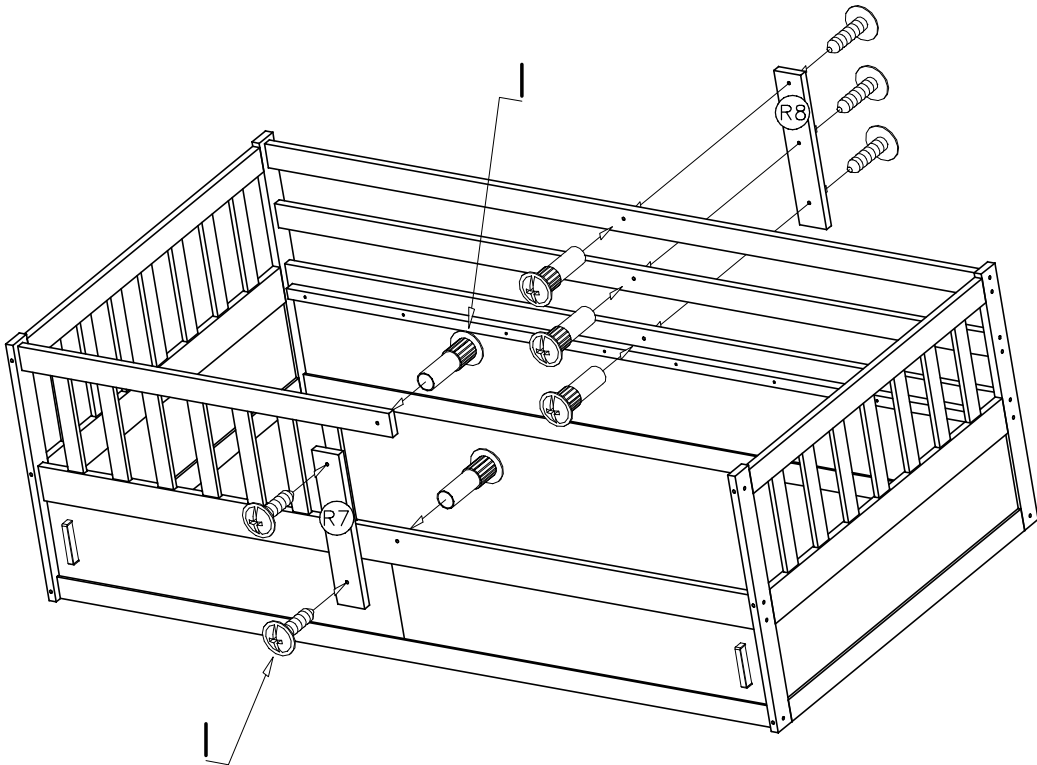
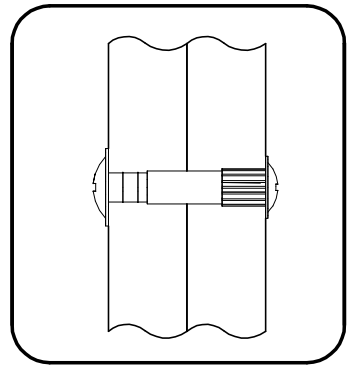
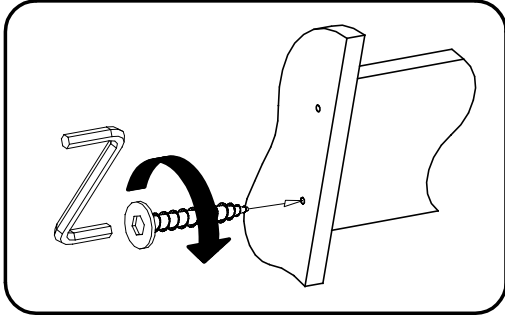
x1



X



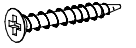
I  
ø8x27 x5





XI

M



4x25

x6

