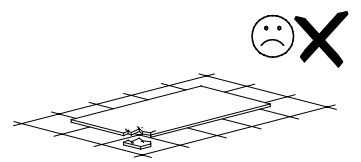
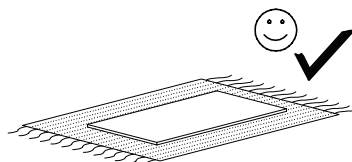
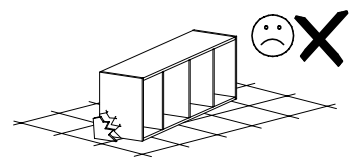
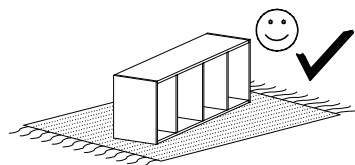
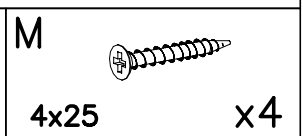
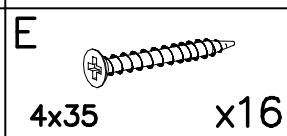
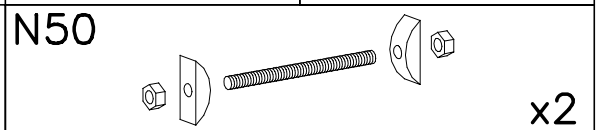
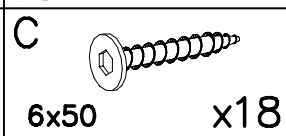
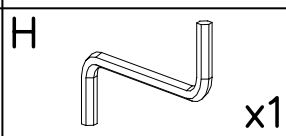
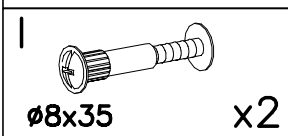
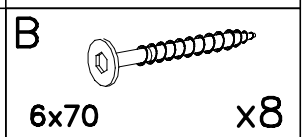
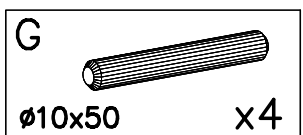
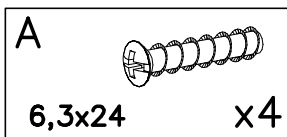
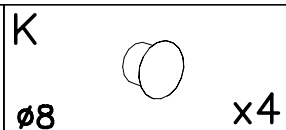
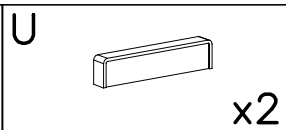
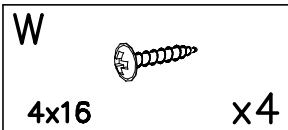
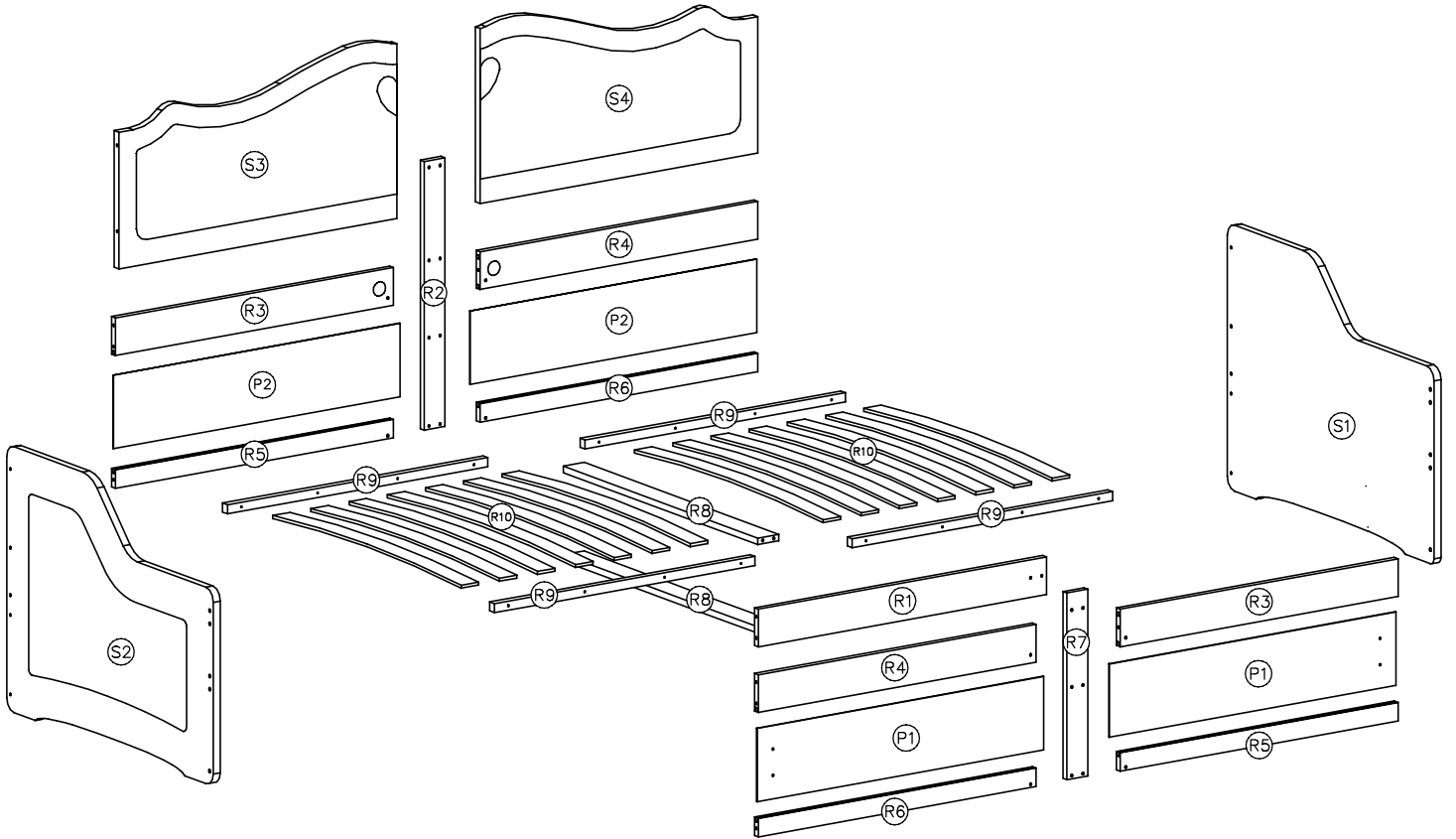
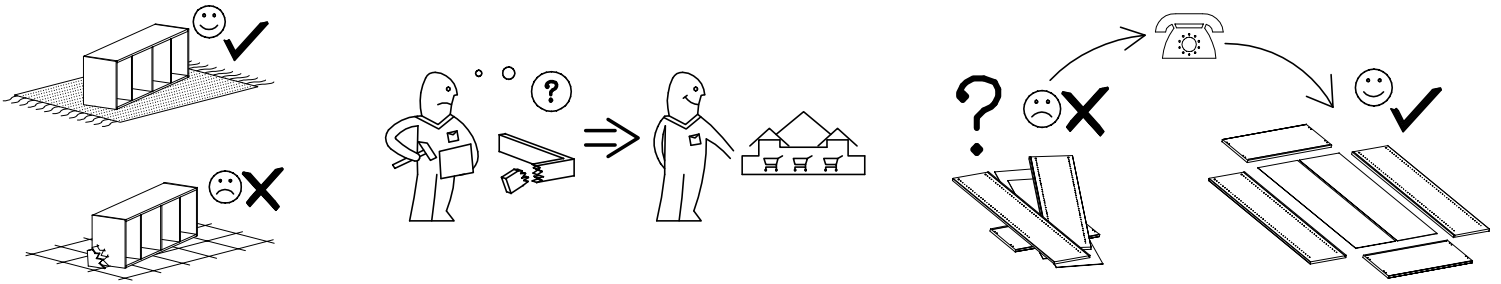
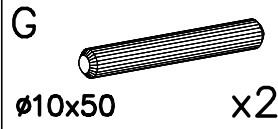


1,5h

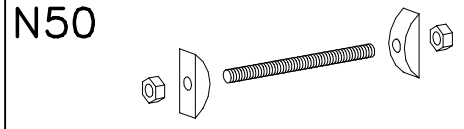




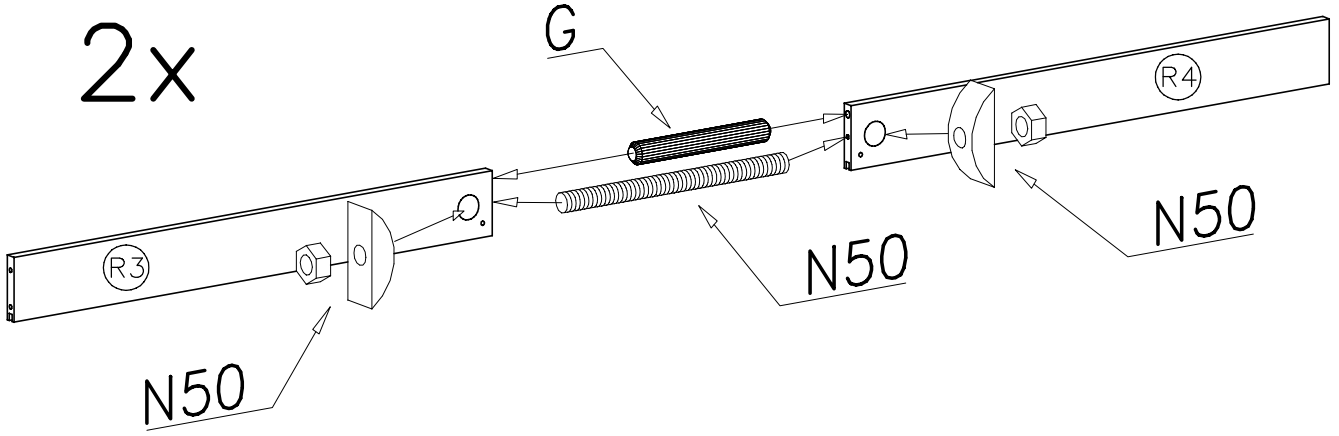
I



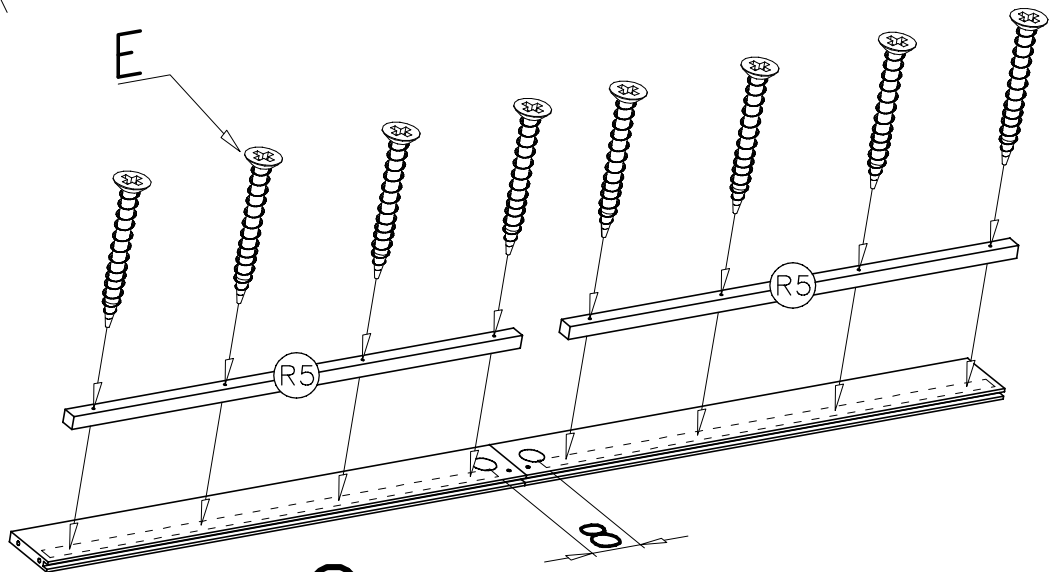
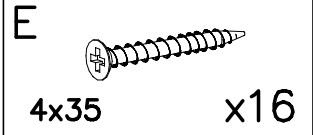
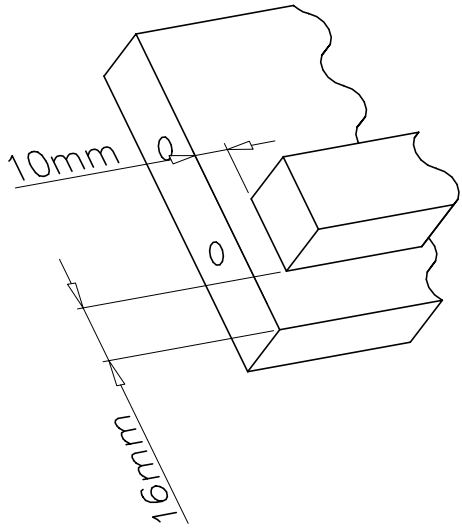
x2



2x



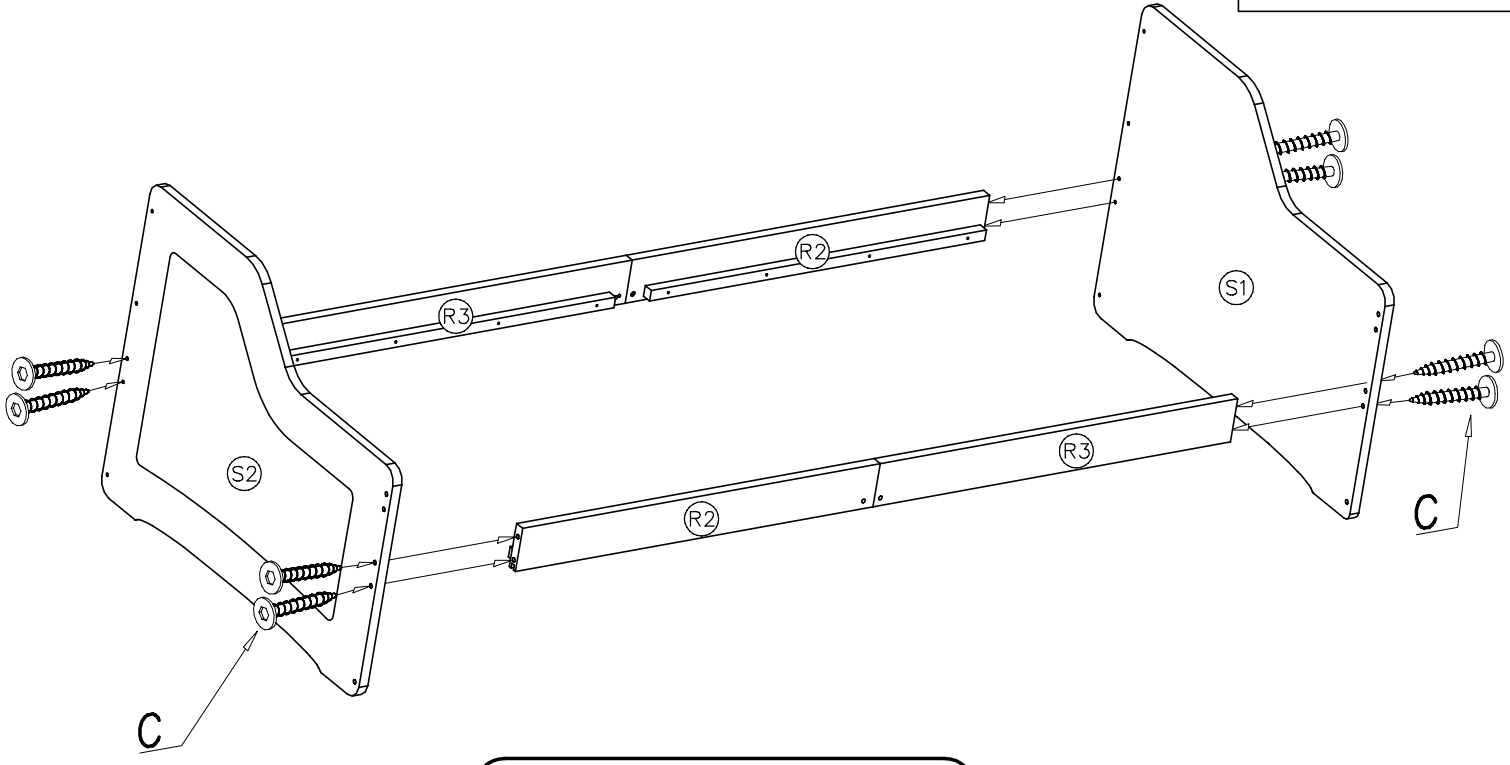
II



2x

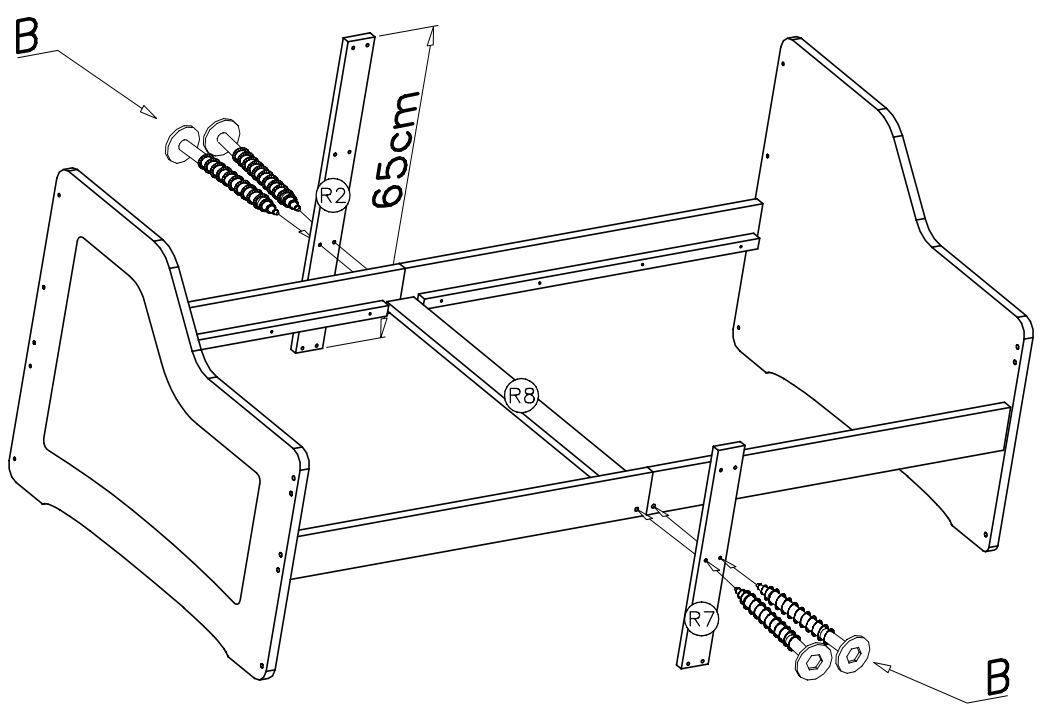
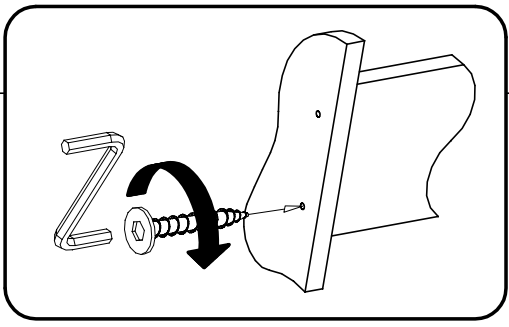
III

C
6x50 x8

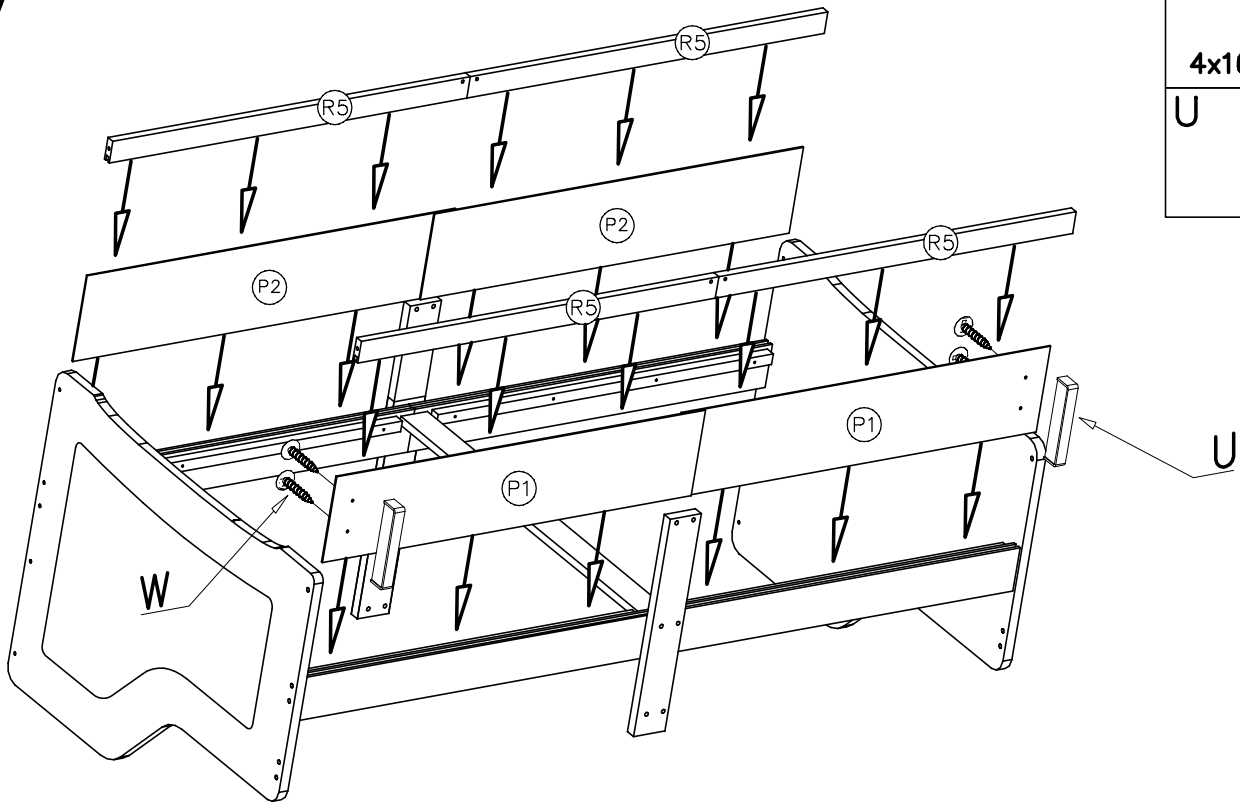


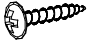

IV

B
6x70 x4

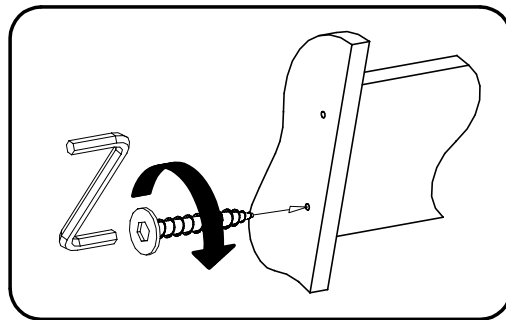




V

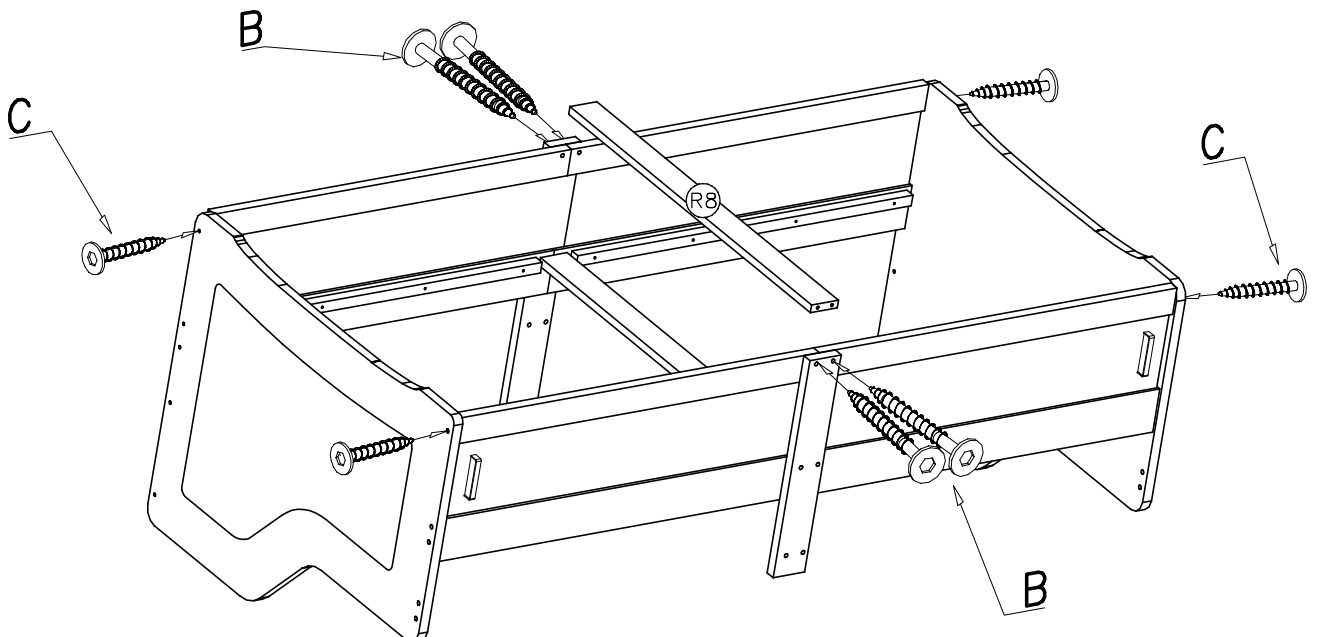


- | | | |
|------|---|----|
| W |  | |
| 4x16 | | x4 |
| U |  | |
| | | x2 |

VI

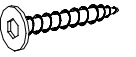


- | | | |
|------|---|----|
| B |  | |
| 6x70 | | x4 |
| C |  | |
| 6x50 | | x2 |



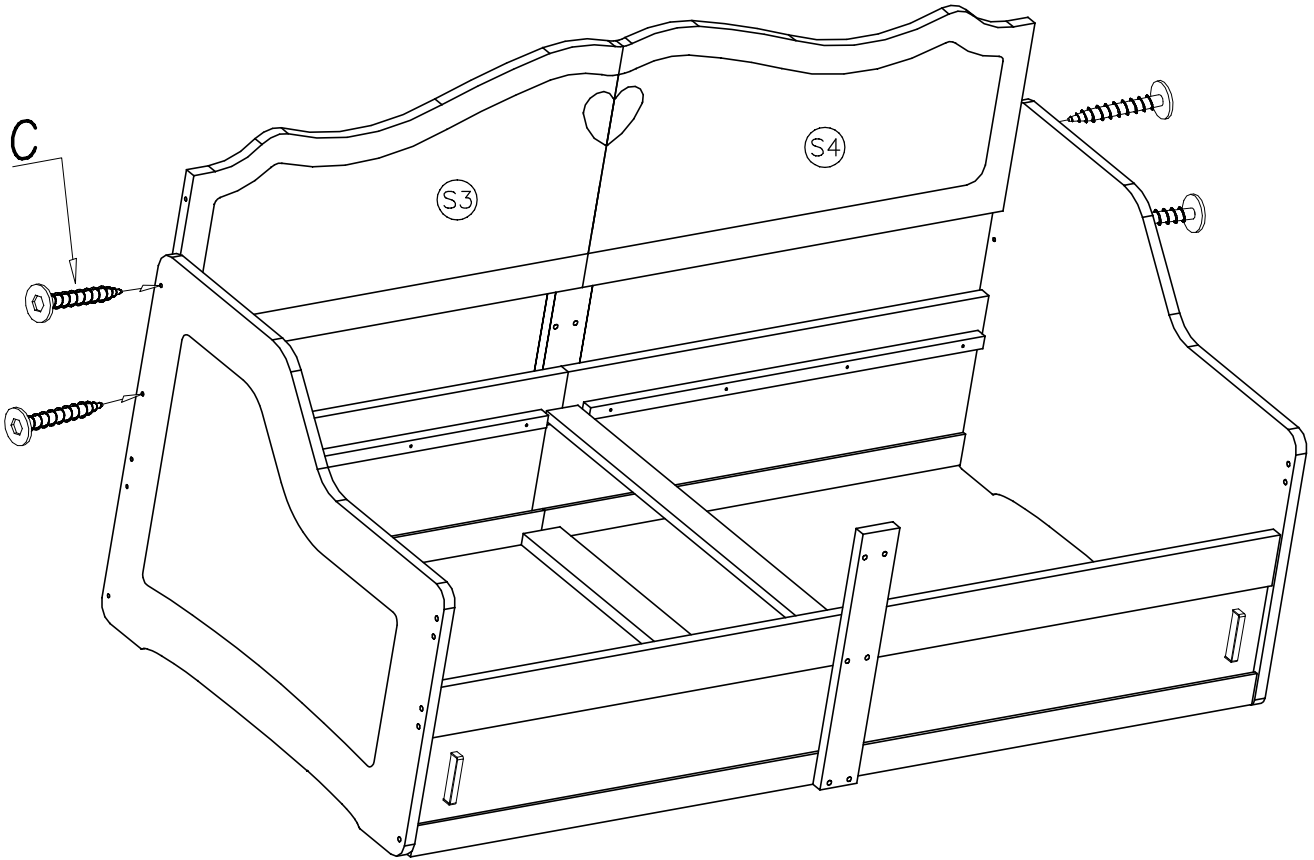
VII

C



6x50

x4



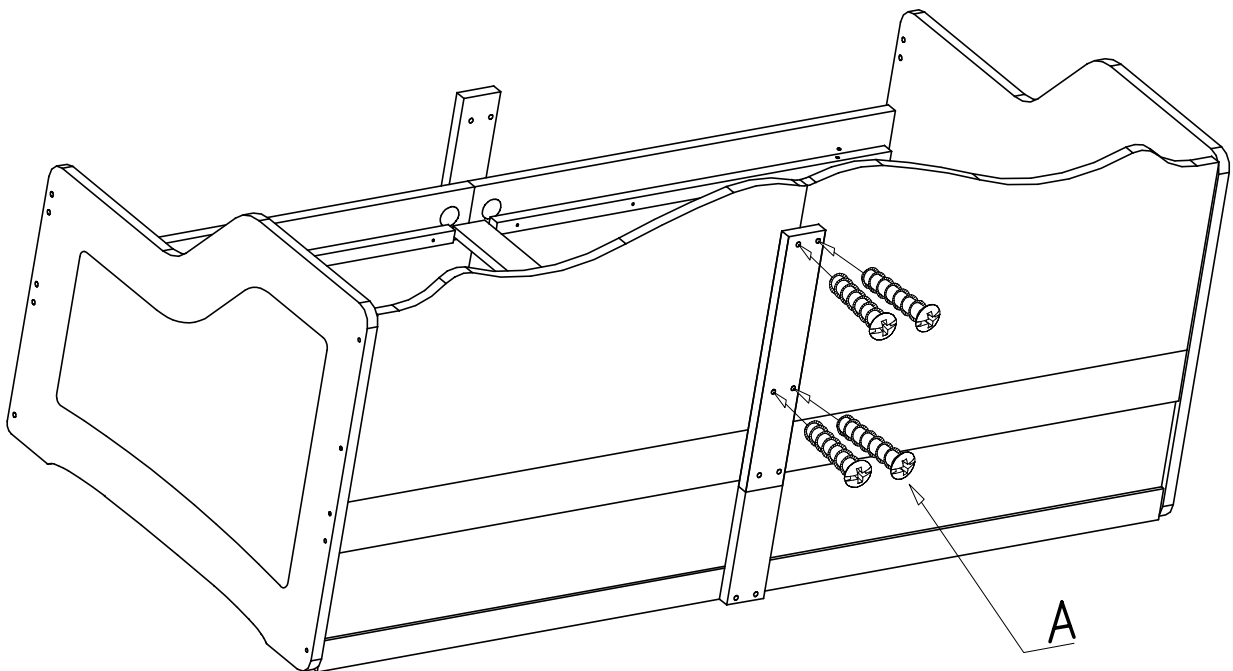
VIII

A



6,3x24

x4



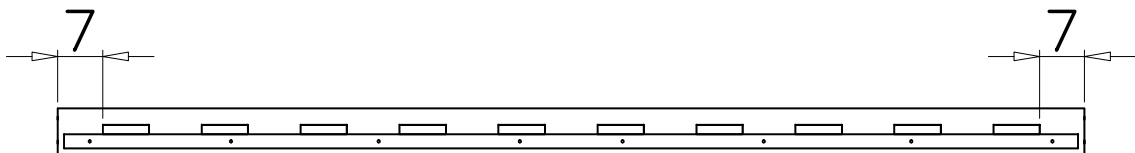
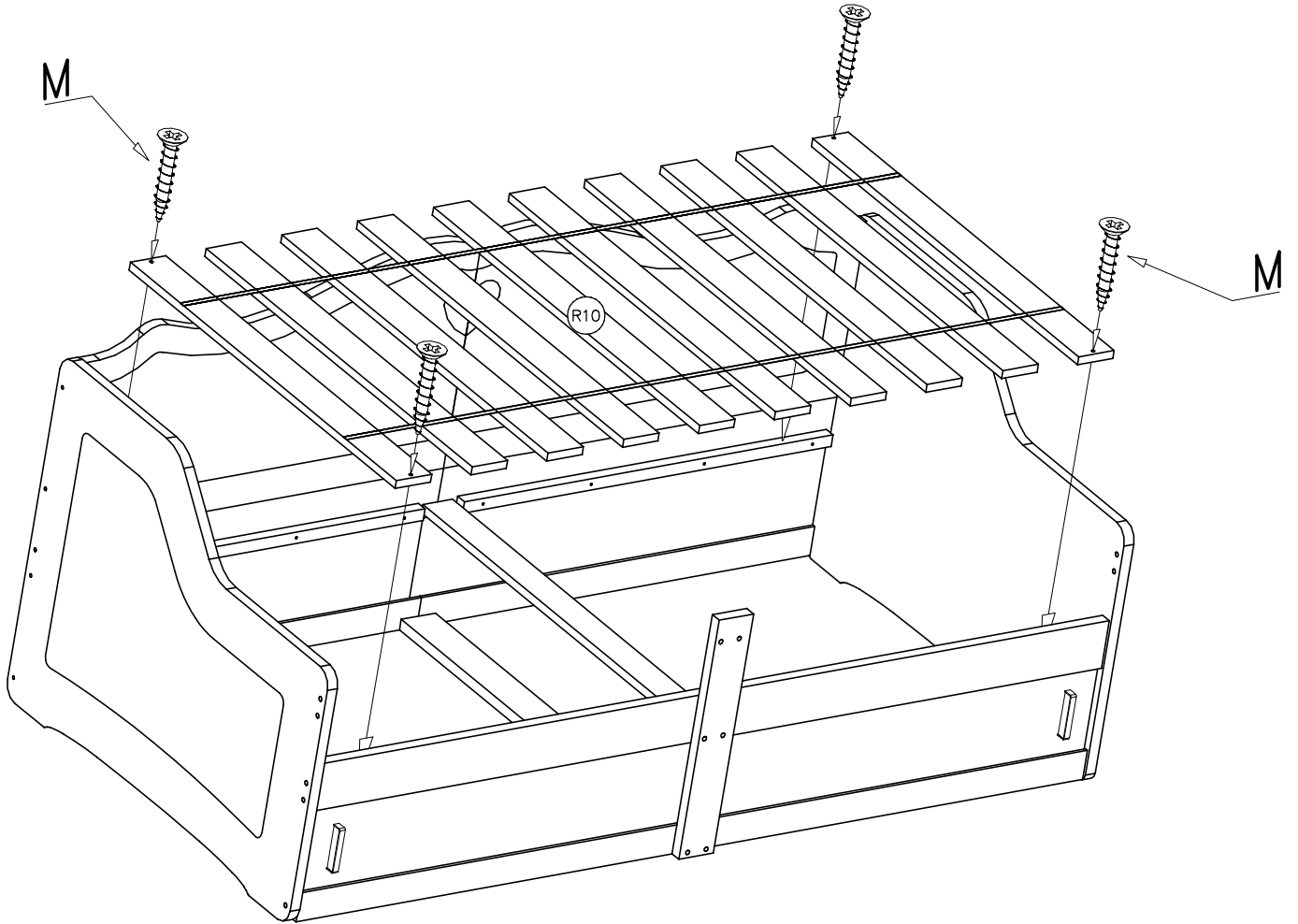
IX

M



4x25

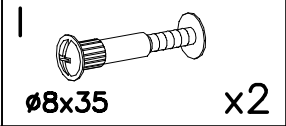
x4



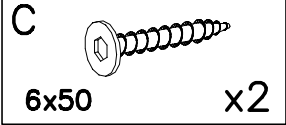
X



x4



x2



x2

